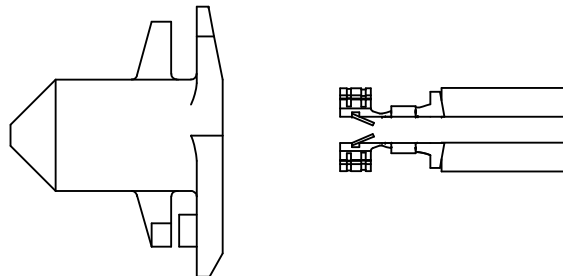
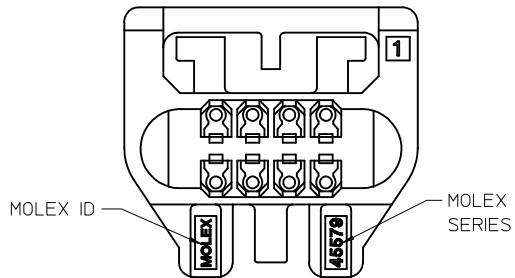


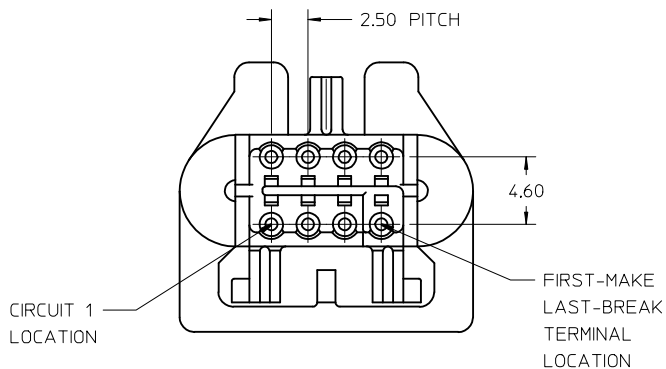
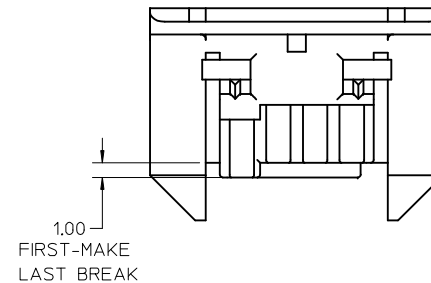
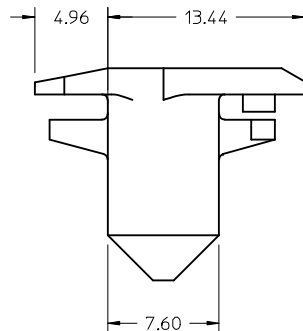
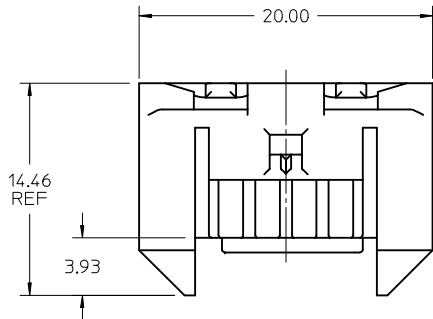
10 9 8 7 6 5 4 3 2 1



TERMINALS ARE TO BE ORIENTED AND LOADED INTO THE HOUSING AS SHOWN ABOVE

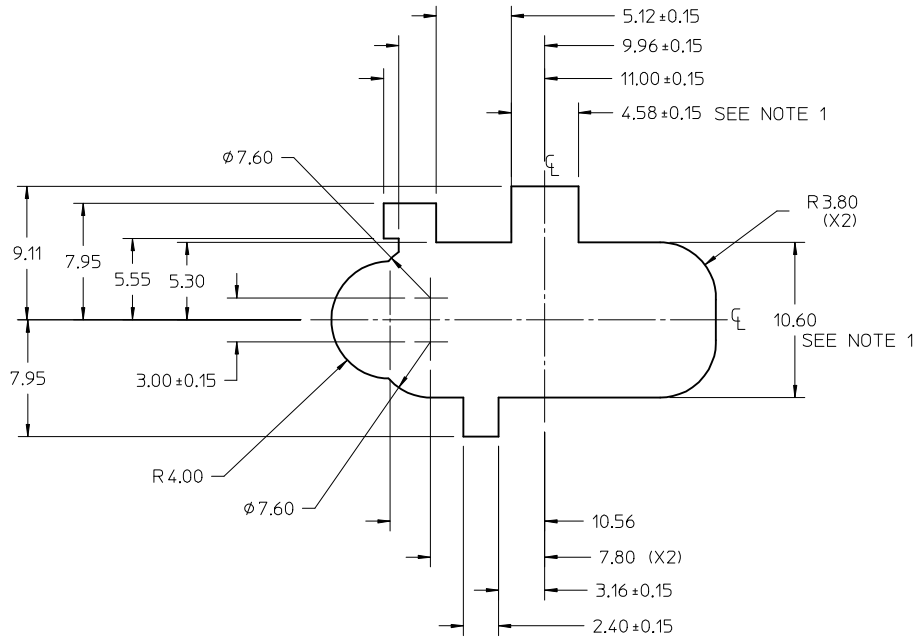
NOTES:

1. MATERIAL: POLYESTER, UL94V-0, COLOR: BLACK.
 2. PRODUCT SPEC - PS-45579-001.
 3. USE FEMALE CRIMP TERMINAL, 08-70-1047 ONLY. (NOTE THE ORIENTATION OF TERMINALS).
 4. PART MATES WITH MOLEX PLUG SERIES 45579.
 5. PACKAGING: BULK.
 6. SEE PAGE 2 OF 2 FOR PANEL CUTOUT DIMENSIONS AND THE ALLOWED BOARD TO PANEL MISALIGNMENT.
 7. USE TOOL NUMBER 63813-1400 TO REMOVE TERMINAL FROM HOUSING WHEN NECESSARY.
- CAUTION: TERMINALS MUST NOT BE REUSED AFTER REMOVAL.

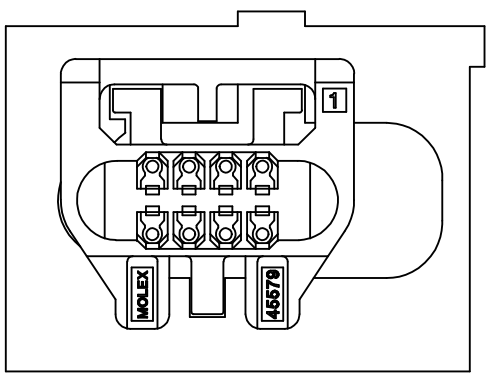


REVISE NOTE 3 EC NO: UCP2013-1206 DRWN:BBE 2012/09/25 CHKD:NUGVEN 2012/09/25 APPR:FSMITH 2012/10/12	DESCRIPTION REV	QUALITY SYMBOLS	GENERAL TOLERANCES (UNLESS SPECIFIED)		DIMENSION STYLE IN/MM		SCALE 3:1	DESIGN UNITS INCH	THIRD ANGLE PROJECTION	
		▽=0	4 PLACES ± --- ± ---	DRAWN BY DATE		TITLE		SPOX BMI RECEPTACLE HOUSING, 8 PIN		
		▽=0	3 PLACES ± --- ± .005	CHECKED BY DATE						
		▽=0	2 PLACES ± 0.13 ± .010	APPROVED BY DATE		MATERIAL NO.		DOCUMENT NO.	molex SD-45579-008 SHEET NO. 1 OF 3	
▽=0	1 PLACE ± 0.25 ± ---	JCOMERCI 2009/08/28		45579-0008						
			ANGULAR ±1/2° DRAFT WHERE APPLICABLE MUST REMAIN WITHIN DIMENSIONS		SIZE B		THIS DRAWING CONTAINS INFORMATION THAT IS PROPRIETARY TO MOLEX INCORPORATED AND SHOULD NOT BE USED WITHOUT WRITTEN PERMISSION			

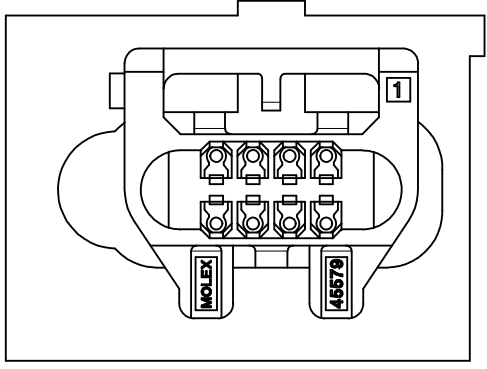
9 8 7 6 5 4 3 2 1



PANEL CUTOUT - WIRE ENTRY VIEW
 PANEL THICKNESS: 1.35±0.15mm



RECEPTACLE INSERT POSITION



- NOTES:
1. TO CENTER 45579 PANEL CUTOUT WITH 45626 PANEL CUTOUT, ALIGN SPECIFIED CENTERLINES WITH CENTERLINES OF THE PANNEL CUTOUT IN THE DRAWING SD-45626-008.
 2. TERMINALS MUST BE ALLOWED TO FLOAT FREELY WITHIN CORE DO NOT TIE WIRES TOGETHER TIGHTLY, ALLOW WIRE TO MOVE.

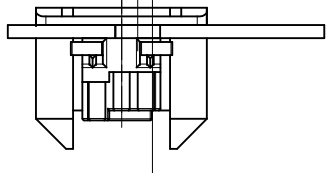
SEE SHEET 1 EC NO: UCP2013-1206 DRWN:BBE 2012/09/25 CHKD:NUGVN 2012/09/25 APPR:FSMTH 2012/10/12	QUALITY SYMBOLS	GENERAL TOLERANCES (UNLESS SPECIFIED)		DIMENSION STYLE IN/MM		SCALE 3:1	DESIGN UNITS INCH	THIRD ANGLE PROJECTION
	▽=0	4 PLACES	± ---	± ---	DRAWN BY	DATE	TITLE SPOX BMI RECEPTACLE HOUSING, 8 PIN	
	▽=0	3 PLACES	± ---	± .005	CHECKED BY	DATE		
	▽=0	2 PLACES	± 0.13	± .010	APPROVED BY	DATE	molex MATERIAL NO. 45579-0008 DOCUMENT NO. SD-45579-008 SHEET NO. 2 OF 3	
▽=0	1 PLACE	± 0.25	± ---	JCOMERC I	2009/08/28			
▽=0	0 PLACE	± ---	± ---	ANGULAR ±1/2° DRAFT WHERE APPLICABLE MUST REMAIN WITHIN DIMENSIONS				
REV	DESCRIPTION	SIZE	THIS DRAWING CONTAINS INFORMATION THAT IS PROPRIETARY TO MOLEX INCORPORATED AND SHOULD NOT BE USED WITHOUT WRITTEN PERMISSION					

10 9 8 7 6 5 4 3 2 1

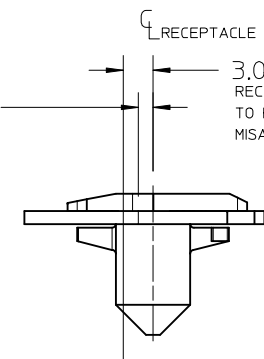
3.15 MAX
RECEPTACLE
TO PLUG
MISALIGNMENT

1.66 MAX
PLUG TO
PANEL
MISALIGNMENT

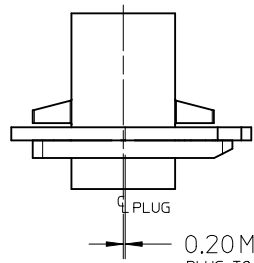
RECEPTACLE
REC PANEL



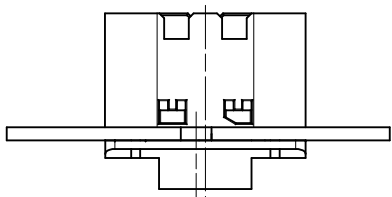
1.50 MAX
RECEPTACLE
TO PANEL
MISALIGNMENT



3.04 MAX
RECEPTACLE
TO PLUG
MISALIGNMENT

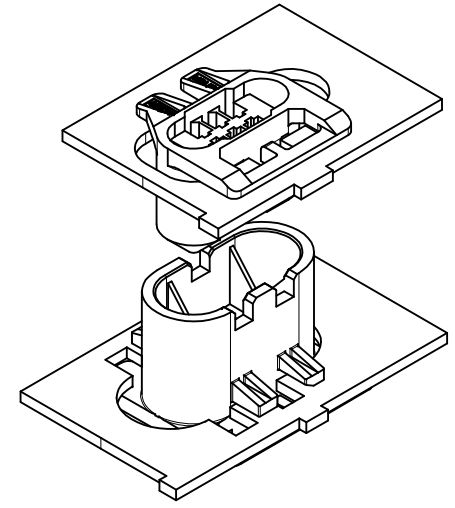


0.20 MAX
PLUG TO PANEL
MISALIGNMENT



0.94 MAX
RECEPTACLE
TO PANEL
MISALIGNMENT

PLUG PANEL
PLUG



11.48 ± 0.20

PANEL TO PC BOARD
STACK HEIGHT

SEE PAGE 1 EC NO: UCP2013-1206 D DRAINBREE 2012/09/25 CHKD: NUGYEN 2012/09/25 APPR: FSMITH 2012/10/12	REV DESCRIPTION	QUALITY SYMBOLS ▽=0 ▽=1 ▽=0	GENERAL TOLERANCES (UNLESS SPECIFIED) mm INCH 4 PLACES ± --- ± --- 3 PLACES ± --- ± .005 2 PLACES ± 0.13 ± .010 1 PLACE ± 0.25 ± --- 0 PLACE ± --- ± ---	DIMENSION STYLE IN/MM DRAWN BY DATE CHECKED BY DATE APPROVED BY DATE JCOMERCI 2009/08/28	SCALE 2:1 DESIGN UNITS INCH	THIRD ANGLE PROJECTION	
	ANGULAR ± 1/2° DRAFT WHERE APPLICABLE MUST REMAIN WITHIN DIMENSIONS			MATERIAL NO.	TITLE SPOX BMI RECEPTACLE HOUSING, 8 PIN	SHEET NO. 3 OF 3	
	SEE PAGE 1			DOCUMENT NO. SD-45579-008	THIS DRAWING CONTAINS INFORMATION THAT IS PROPRIETARY TO MOLEX INCORPORATED AND SHOULD NOT BE USED WITHOUT WRITTEN PERMISSION		
	SEE PAGE 1			MOLEX			

9 8 7 6 5 4 3 2 1