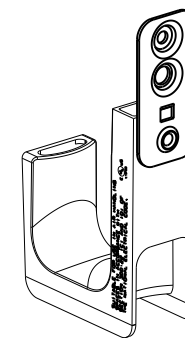
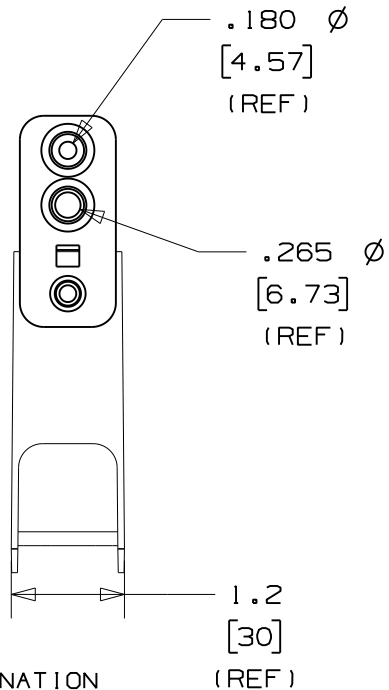
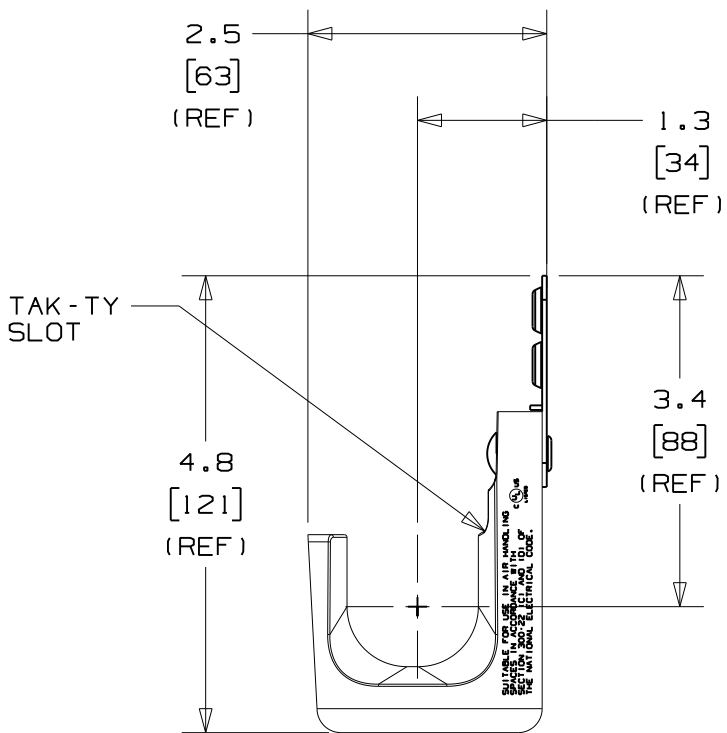


THIS COPY IS PROVIDED ON A RESTRICTED BASIS AND IS NOT TO BE USED IN ANY WAY DETRIMENTAL TO THE INTERESTS OF PANDUIT CORP.



PANDUIT PART NO.	WEIGHT lbs 10 (g) pcs
JP131WP2B- ---	1.68 (762)

- NOTES:
- SEE CURRENT PRICE SHEET FOR PART NUMBER SUFFIX DESIGNATION FOR PACKAGE SIZE AND PRODUCT COLOR.
 - HOOK MATERIAL: NYLON 6/6
PLATE MATERIAL: PRE-GALVANIZED STEEL
RIVET MATERIAL: ALUMINUM
 - PRODUCT IS DESIGNED TO SUPPORT A MAXIMUM OF 1 5/16" (33.34) DIAMETER BUNDLE. MAXIMUM RECOMMENDED STATIC LOAD: 25 lbs.
 - PRODUCT INCORPORATES FEATURES ALLOWING USER TO RETAIN CABLE BUNDLES IN J-PRO J-HOOK WITH TAK-TY CABLE TIES UP TO 3/4" WIDE.
 - PRODUCT MARKINGS:
cULus logo and statement:
"SUITABLE FOR USE IN AIR HANDLING SPACES IN ACCORDANCE WITH SECTION 300-22 (C) & (D) OF THE NATIONAL ELECTRIC CODE."
"FOR USE INDOORS"
ULC logo and statement:
"IN ACCORDANCE WITH CAN/ULC S-102.2-10 MOUNTED IN SINGLE UNITS OR PAIRS, MINIMUM SPACING 4 ft (1220mm) BETWEEN MOUNT POINTS FSR=0, SDC=35."

TITLE
J-PRO J-HOOK WITH PLATE FOR
POWDER ACTUATED FASTENERS
(JP131WP2B- ---)
CONTROL DRAWING

ITEM REVISION NAME
121031AF/00

DATASET FILE NAME
121031AF_DC_C11005/00A

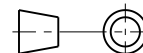
UNLESS OTHERWISE SPECIFIED,
DIMENSIONAL TOLERANCES ARE: IN (mm)
.x : .1 (2.54) .xxx : .005 (0.127)
.xx : .01 (0.25) ANGLES : 5 °

MATERIAL:

SEE NOTE 2

DRAWING NUMBER:

C11005



THIRD ANGLE
PROJECTION

DRAWN BY: DBLA DATE: 10/28/2012 CHK: KLN SCALE: NONE

SHT 1 OF 1

SIZE
A

REV	DATE	BY	CHK	APR	DESCRIPTION	ECN
00	10/28/2012	DBLA	GGC	KLN	INITIAL RELEASE	GAECN00224

PANDUITTM

D101000A/12