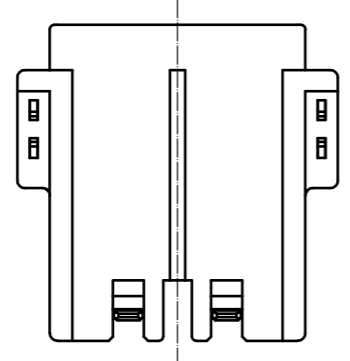
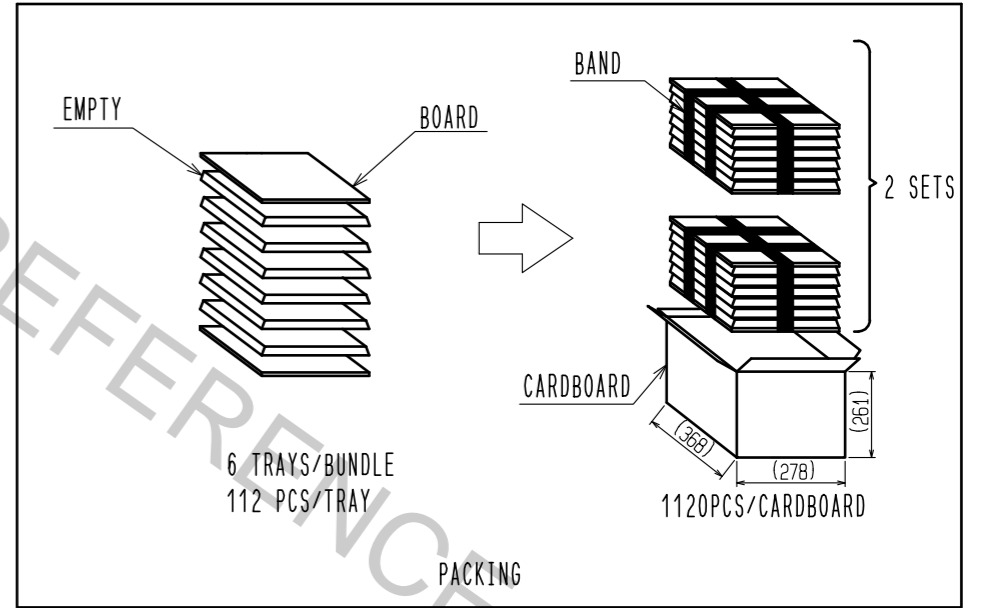
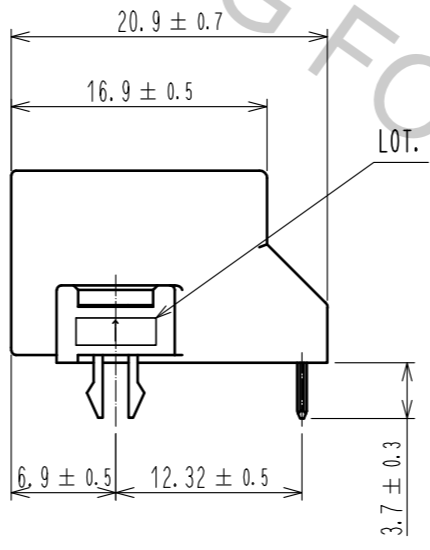
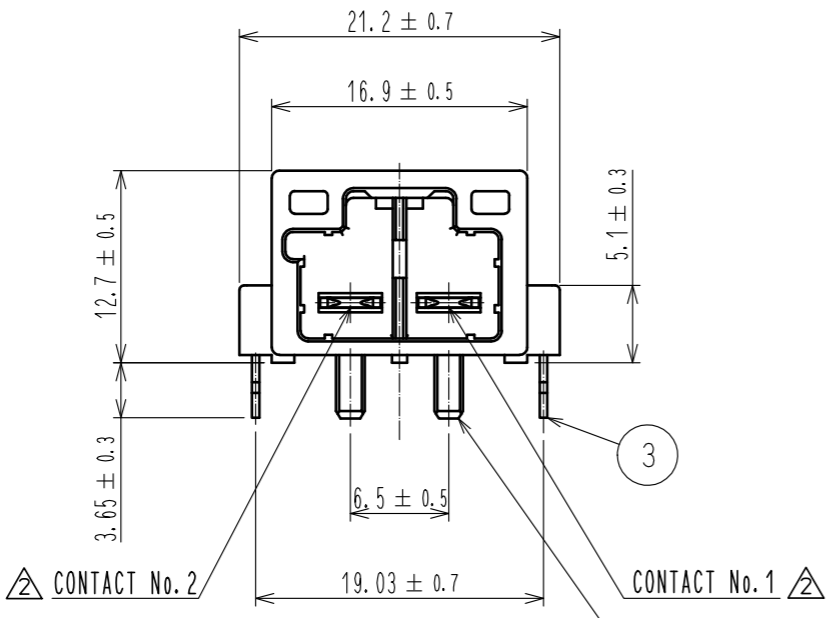
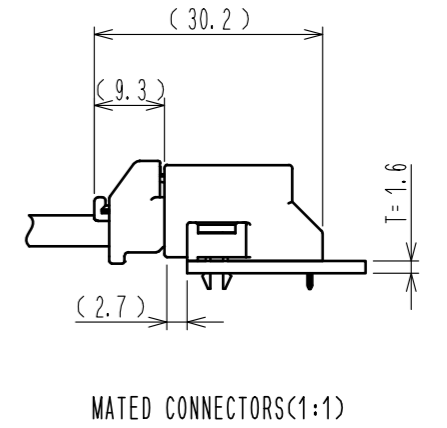
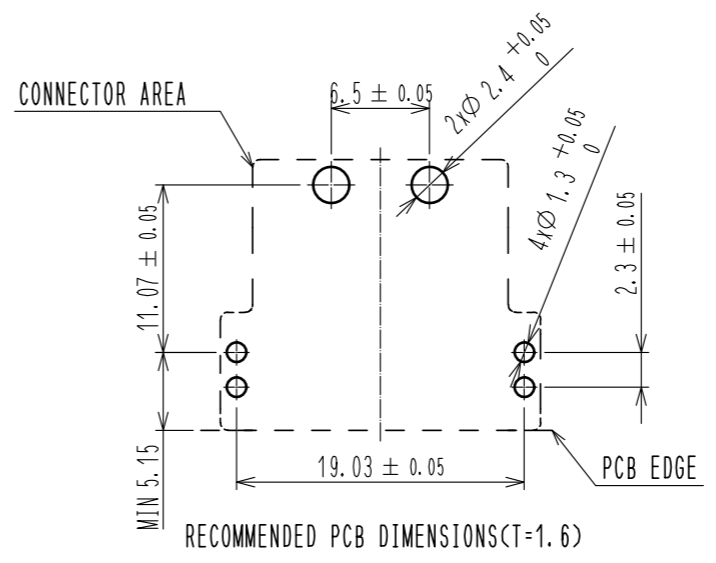
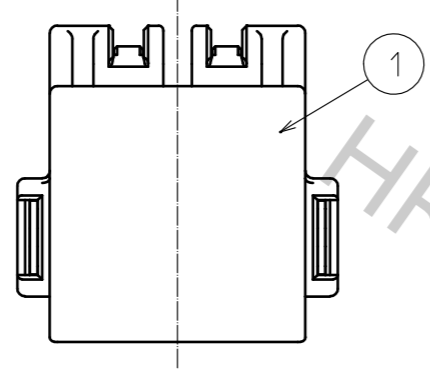


Apr.1.2017 Copyright 2017 HIROSE ELECTRIC CO., LTD. All Rights Reserved.

ELV, RoHS COMPLIANT



2	COPPER ALLOY	TIN PLATED	3	PHOSPHOR BRONZE	TIN PLATED
1	PA	BLACK. UL94V-0			
NO.	MATERIAL	FINISH . REMARKS	NO.	MATERIAL	FINISH . REMARKS
UNITS mm		SCALE 2 : 1	COUNT 2	DESCRIPTION OF REVISIONS DIS-T-00000767	DESIGNED HH. TSUKUMO
					CHECKED HK. UMEHARA
					DATE 15.12.16
HRS HIROSE ELECTRIC CO., LTD.		APPROVED : AR. SHIRAI 11.09.01	DRAWING NO. EDC-168247-00-00		
		CHECKED : TY. TAKAHASHI 11.09.01	PART NO. GT28-2P-6.5DS		
		DESIGNED : TY. SAKASHITA 11.08.31	CODE NO. CL778-0005-3-00		
		DRAWN : TY. SAKASHITA 11.08.31	1/1		