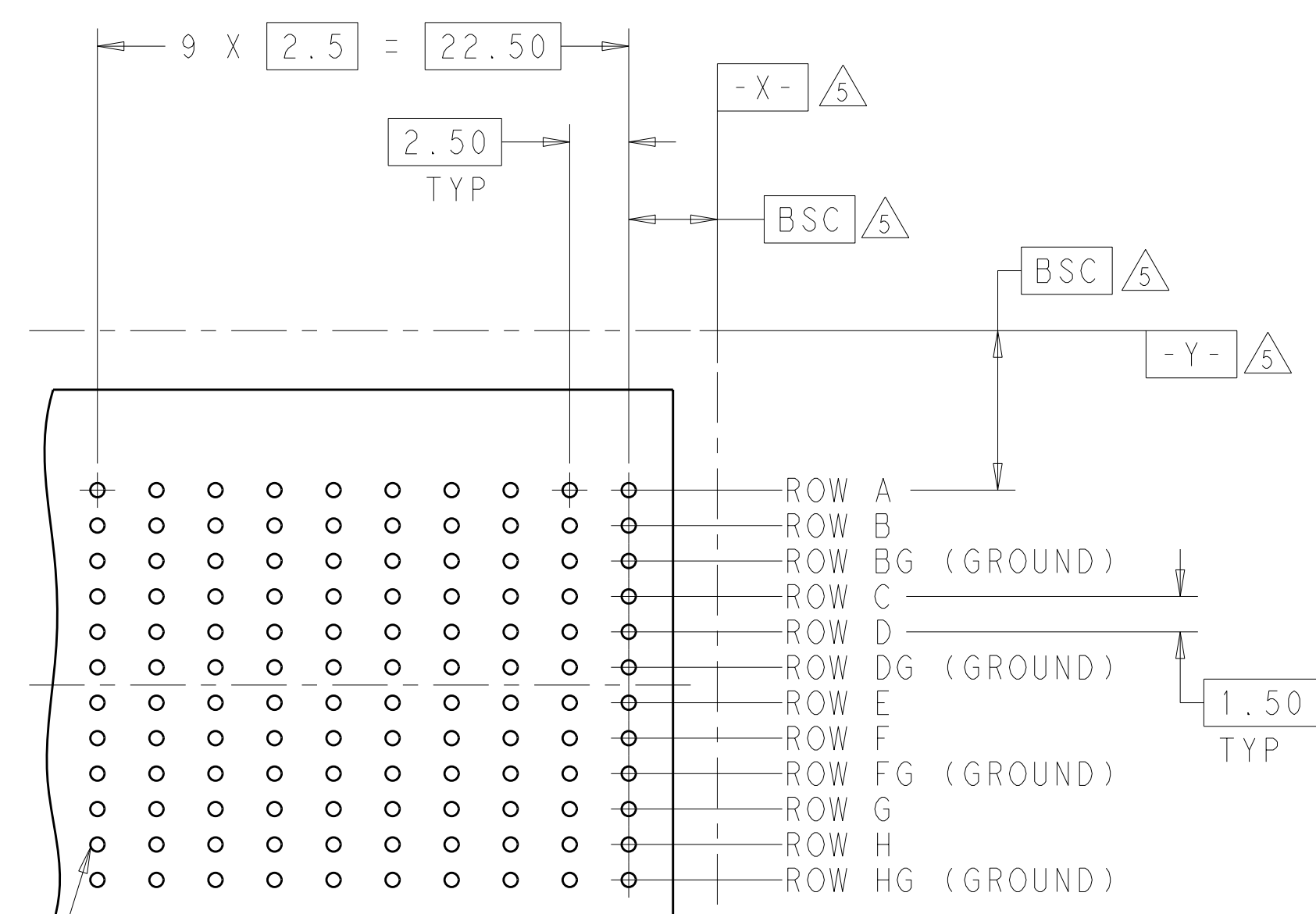
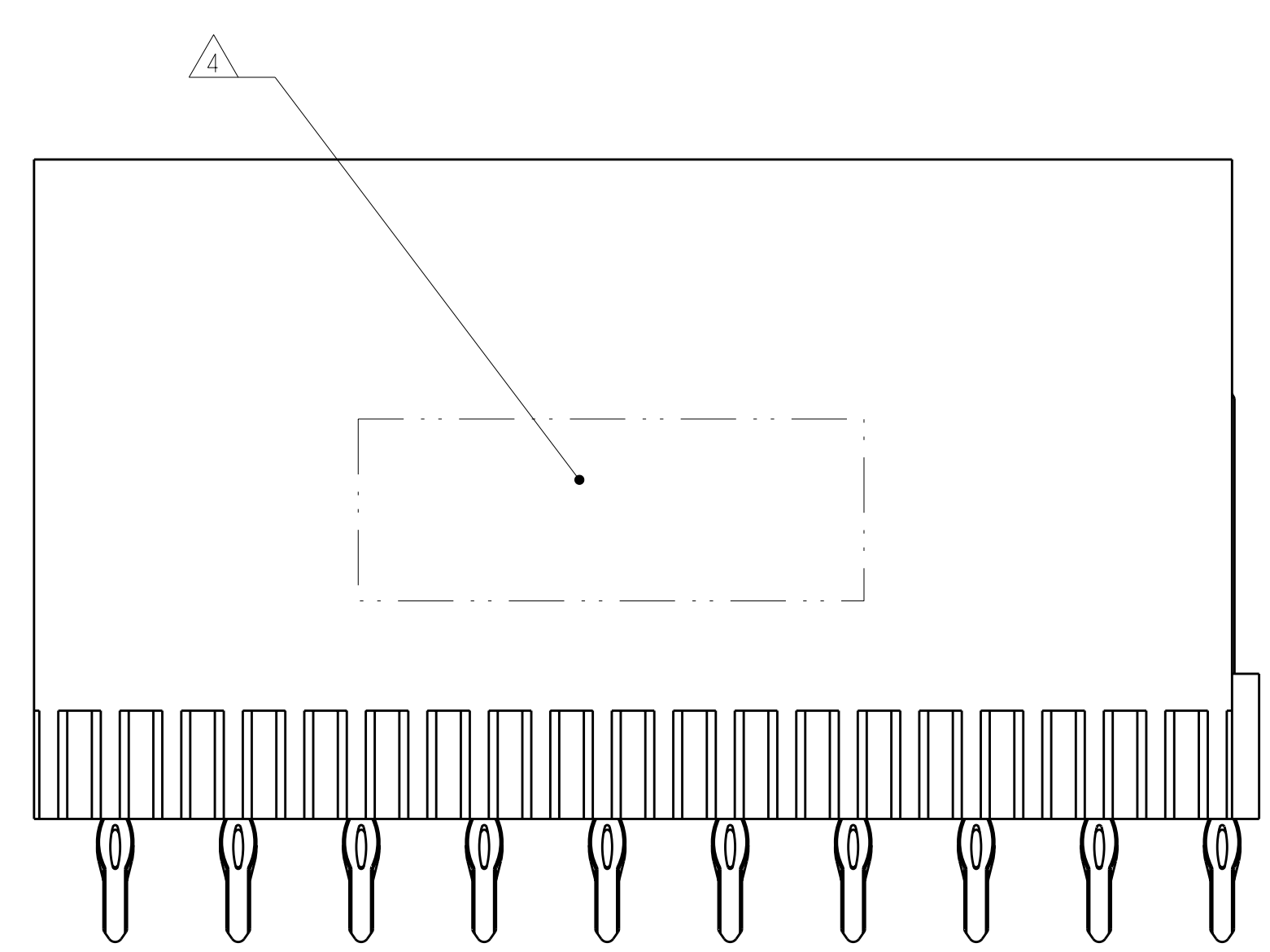
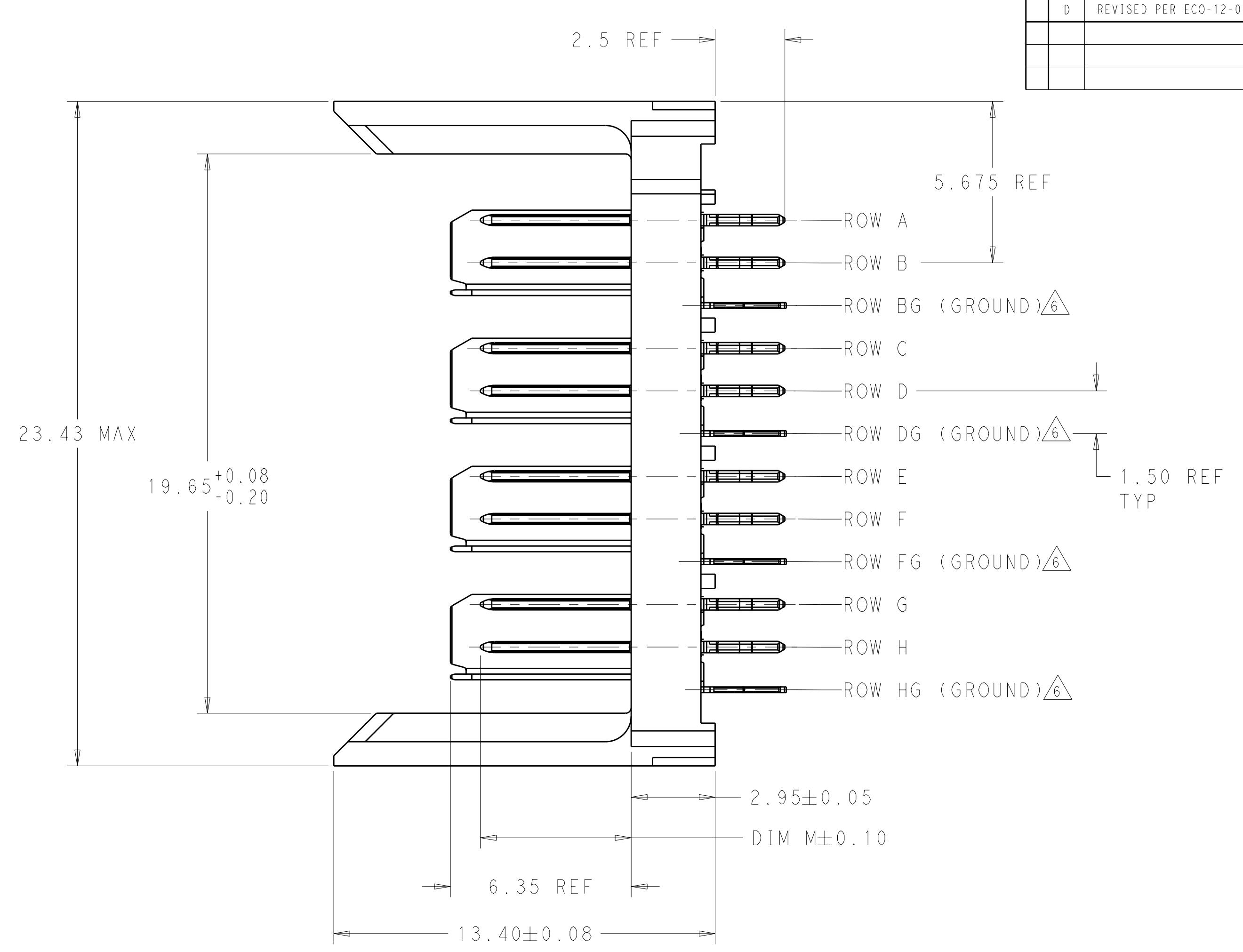
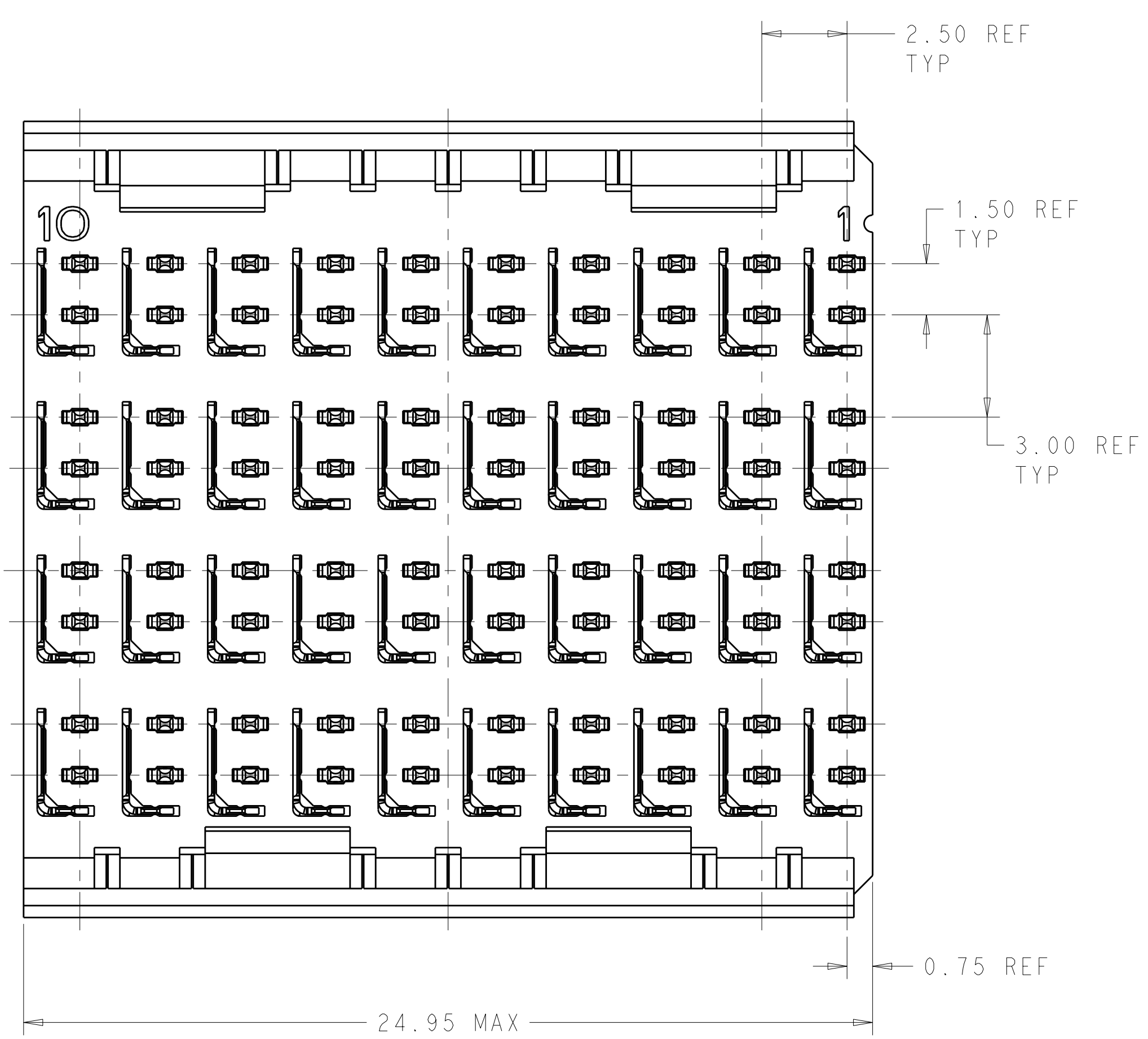


LOC	DIST	REV	DATE	DWN	APVD
AD	00	D	18JAN2012	KH	DD
		REVISIONS			
		DESCRIPTION	DATE	DWN	APVD
		REVISD PER ECO-12-000118	18JAN2012	KH	DD



- 1. REFERENCE APPLICATION SPEC 114-13059 FOR RECOMMENDED PLATED THRU HOLE DIAMETER AND PLATING THICKNESSES.
- 2. MATERIAL:  
CONTACT AND SHIELD - PHOSPHOR BRONZE  
HOUSING - GLASS FILLED POLYESTER, UL 94V-0.
- 3. FINISH: CONTACT AND SHIELD  
MATING AREA-1.27 μm MIN GOLD OVER 1.27 μm MIN NICKEL  
COMPLIANT PIN AREA-0.5 μm MIN TIN OVER 1.27 μm MIN NICKEL.
- 4. CONNECTOR MARKED WITH PART NUMBER AND DATE CODE.
- 5. DATUMS AND BASIC DIMENSIONS ESTABLISHED BY CUSTOMER.
- 6. THE FOUR GROUNDS IN EACH COLUMN ARE COMMONED.
- 7. CONTACT AREA LUBRICATED WITH BELLCORE APPROVED LUBRICANT. TECHNICAL REFERENCE: GR-1217-CORE, ISSUE 1, NOVEMBER 1995.

⊕ ⌀ 0.05 Ⓢ X Y  
ALL PLATED THRU HOLES

RECOMMENDED PC BOARD LAYOUT, BACKPLANE, COMPONENT SIDE SHOWN  
SCALE 4:1

5.30	6469628-1
DIM M	PART NUMBER

THIS DRAWING IS A CONTROLLED DOCUMENT.		DWN: HUMBERT 30MAR2010	TE Connectivity	
DIMENSIONS: mm		CHK: J. EBY 30MAR2010	NAME: HEADER ASSEMBLY, 4 PAIR, 2.5mm TAIL, 25mm HMZd	
TOLERANCES UNLESS OTHERWISE SPECIFIED:		APVD: -	PRODUCT SPEC: -	
9 PLC ±0.1		APPLICATION SPEC: -		
1 PLC ±0.01		WEIGHT: -		
3 PLC ±0.001		SIZE: A100779C=6469628		
4 PLC ±0.0001		RESTRICTED TO: -		
ANGLES ±0.001		CUSTOMER DRAWING		
FINISH: -		SCALE: 8:1 SHEET 1 OF 1 REV D		