

5

4

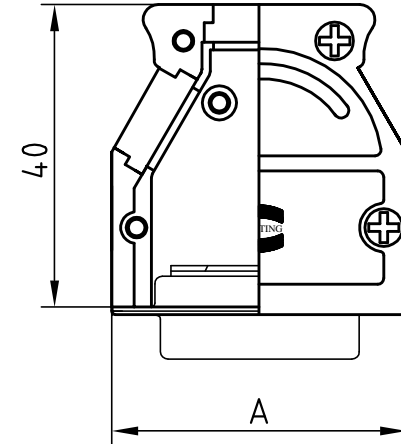
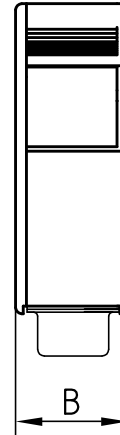
3

2

1

Lieferumfang:

- 1 Gehäuse mit Deckel -
Zinkdruckguss
- 2 STVB-Befestigungsschrauben
- 2 Blindstopfe
- 4 Deckelschrauben M2,5x6,5
- 1 Erdungsschraube M2,5x4



Hood assembly consists of:

- 1 Metal hood with cover -
diecast zinc
- 2 Connector locking screws
- 2 Blind plugs
- 4 Cover screws M2,5x6,5
- 1 Screw M2,5x4 for grounding post

XX	Polzahl/way	A	B
11	15	39,0	14,8
12	25	53,0	14,8
21	37	69,5	14,8
20	50	67,0	17,4



All Dimensions in mm
Original Size DIN A 4

Techn. Character.

Nicht tolerierte Maße/

Free size tolerances

DIN_ISO_2768_M

	Dat.	Name	Maßstab/ Scale
Detail.	14,08,03	STRAUCH	
Insp.			
Stand.			

INDUCOM_FULL_METALL_HOOD_FOR_D-SUB-15/25/37/50
CONNECTORS_WITH_ANGLED/STRAIGHT_CABLE_ENTRY

32472	10,01,05	STRAUCH
Mod.	Dat.	Name

HARTING Electronics GmbH & Co. KG
D-32339 ESPELKAMP



TB 61_03_001_00XX

Blatt/ page

1 / 1

Sub. Sub