

4

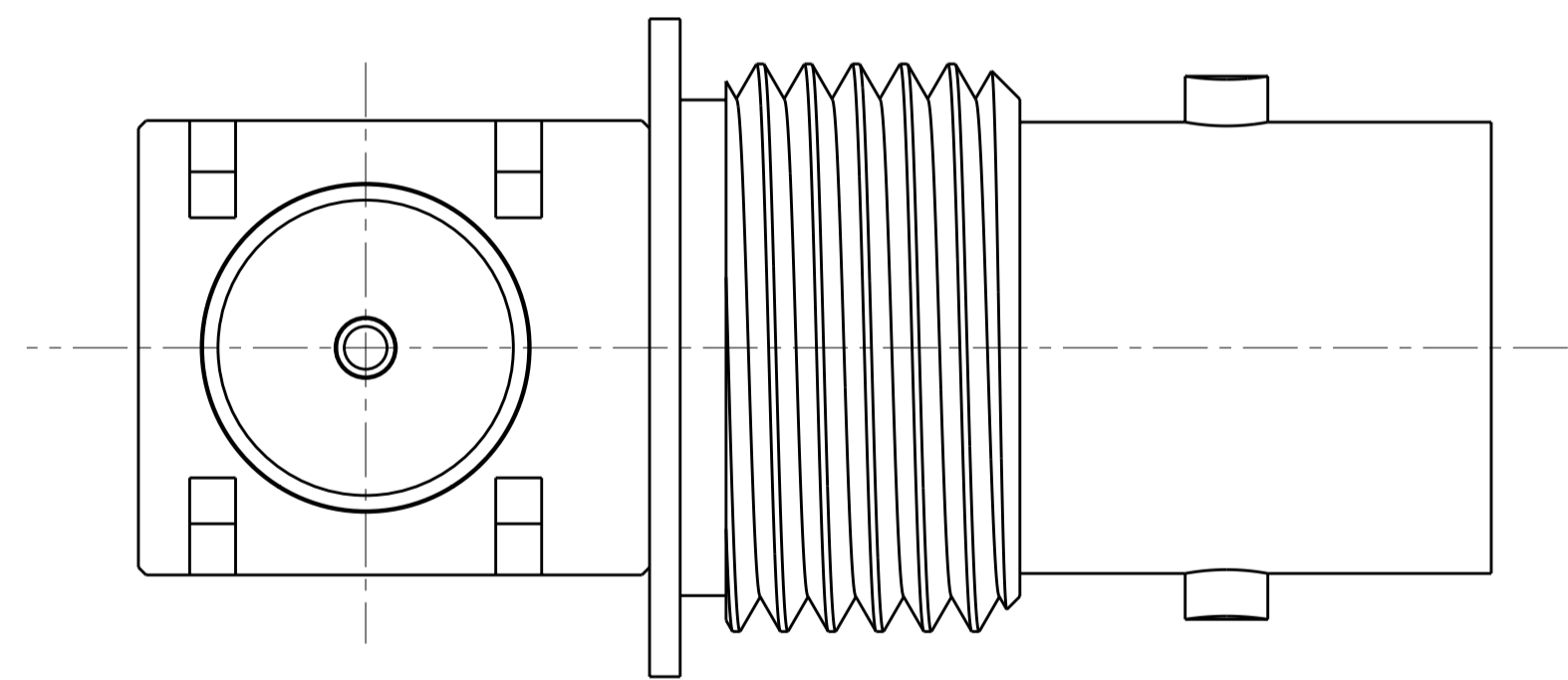
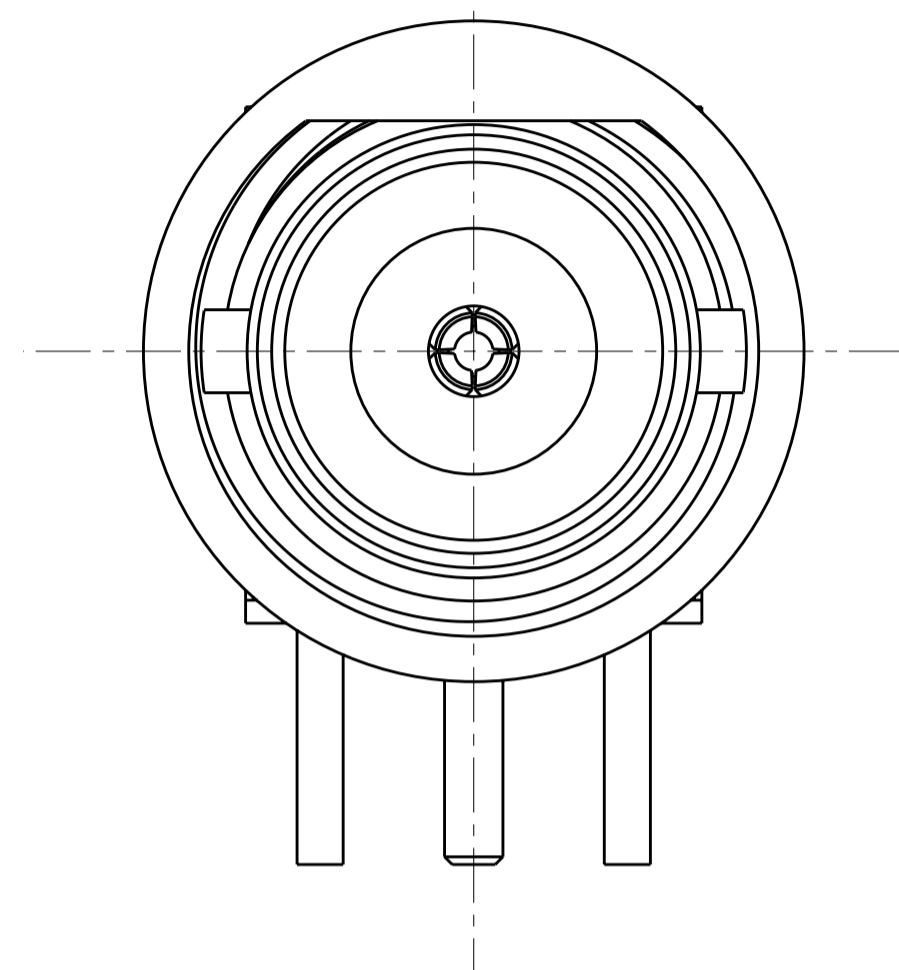
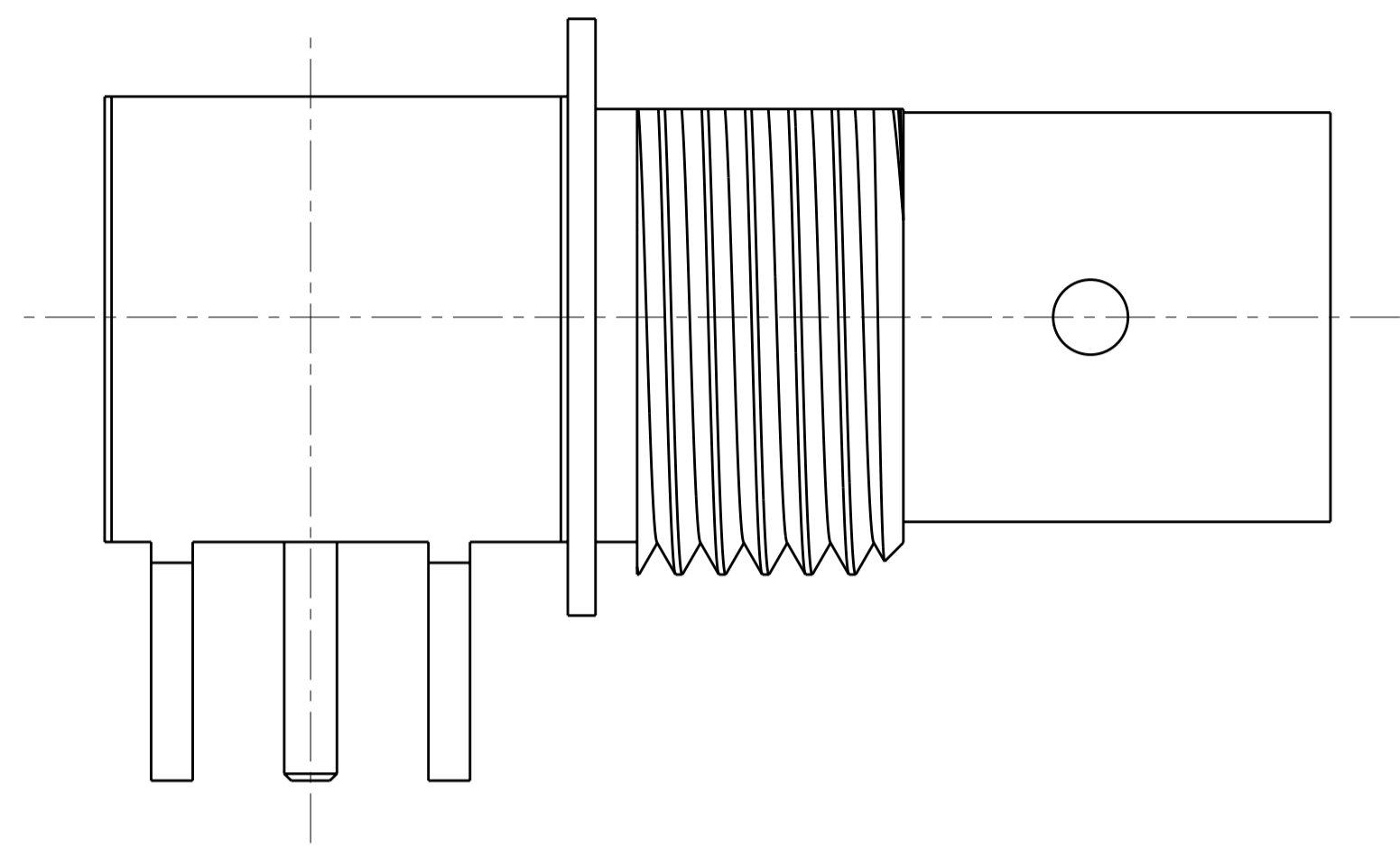
3

2

1


THIS DRAWING IS UNPUBLISHED.      RELEASED FOR PUBLICATION      20  
 © COPYRIGHT 20      ALL RIGHTS RESERVED.

LOC	DIST	REVISIONS			
P	LTR	DESCRIPTION	DATE	DWN	APVD
AJ	16	D1	REVISED PER ECO-11-005027	16MAY2011	RK HMR



⚠ P/N 1274584-1 INCLUDES CONNECTOR P/N 1274629-1 (SHOWN ABOVE), JAM NUT P/N 2-330249-2 AND LOCKWASHER P/N 1-329492-1 (NOT SHOWN) PACKAGED SEPERATELY

⚠ 1274584-1  
PART NUMBER

THIS DRAWING IS A CONTROLLED DOCUMENT.		DWN K. WEIDNER 30 JUL 2003	 TE Connectivity	
DIMENSIONS: INCHES [mm]		CHK G. MICHAEL 08 JAN 2004		
TOLERANCES UNLESS OTHERWISE SPECIFIED:		APVD K. WEIDNER 08 JAN 2004	NAME JACK KIT, R/A, BULKHEAD, PCB, MINI BNC W/HARDWARE	
0 PLC ± 1 PLC ± 2 PLC ± 3 PLC ±.005 [.13] 4 PLC ± ANGLES ±2° FINISH		PRODUCT SPEC 108-2159	SIZE A200779	DRAWING NO C-1274584
MATERIAL	-	APPLICATION SPEC -	RESTRICTED TO -	SCALE 8:1
-		WEIGHT -	SHEET 1 OF 1 REV D1	
-		CUSTOMER DRAWING	REV D1	