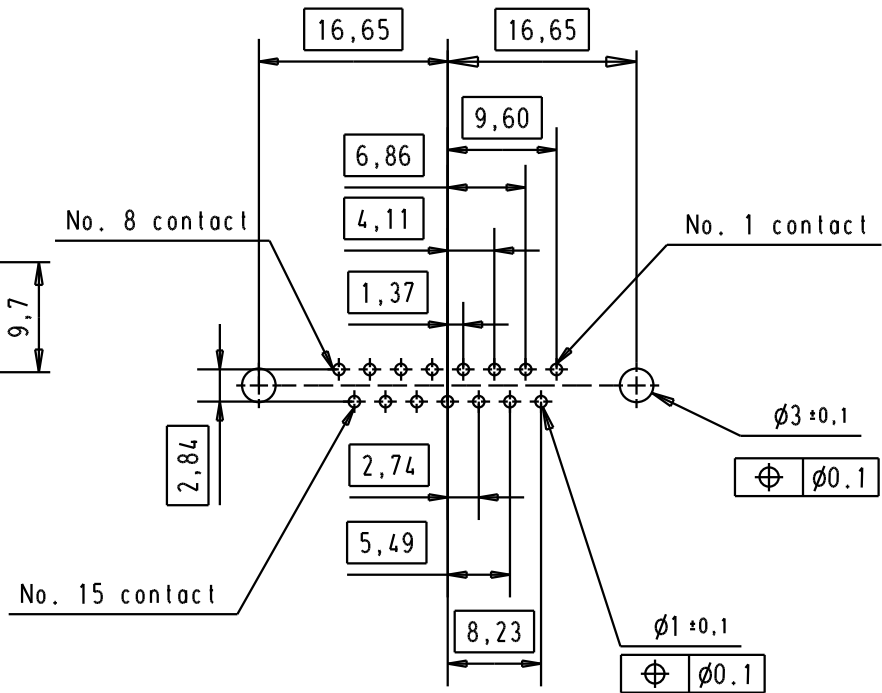
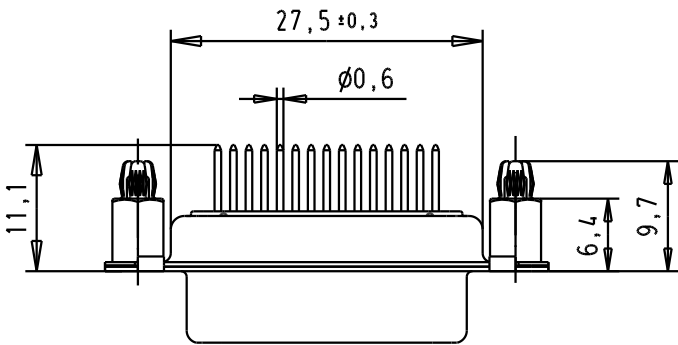


PCB Layout, component side,  
PCB thickness 1,6 mm



SPECIFICATION

Mating Cycles	500
Filter type	C
Capacitance	1000pf ± 20%
Working Voltage	100v
Current Rating	7.5A
Insulation Resistance	>1GΩ

FREQUENCY (MHz)	ATTENUATION (dB)
5	1dB
10	3dB
50	12dB
100	20dB
500	34dB
1000	30dB

					Dat.	Name	<p>All Dim. in mm Orig. Size DIN A 4</p>	D-Sub, female, straight, 15 Poles, solder pins, tin plated shell with spacer nuts and board-locks	No?Ms tab/ Scale  1.5:1	
					Detail.	8- JUL -02				CV
					Insp.					
					Stand.					
09642127236	M3	33079	29/08/05	JMDR	HARTING EURL F-95972 Paris			TB 0964212723x Sub.	Blatt/ Page 2 / 3	
09642127235	UNC 4-40	31058	8- JUL -02	CV						
Part number	Nut thread	Mod.	Dat.	Name						