



## ispClock5400D Evaluation Board

---

**User's Guide**

---

## Introduction

Thank you for choosing the Lattice Semiconductor ispClock™ device family!

This guide describes how to start using the ispClock5400D Evaluation Board, an easy-to-use platform for evaluating and designing with the ispClock5406D in-system-programmable differential clock distribution device. The evaluation board can be used stand-alone to review the performance and in-system programmability of the ispClock5406D device or as a companion board and clock source for LatticeECP3™ FPGA evaluation boards:

- LatticeECP3 Serial Protocol Board
- LatticeECP3 Video Protocol Board

Please visit [www.latticesemi.com/products/fpga/ecp3/ecp3evalboards](http://www.latticesemi.com/products/fpga/ecp3/ecp3evalboards) for more information, demonstrations, and documentation on each LatticeECP3 evaluation board.

## About the ispClock5406D Device

This board features an ispClock5406D device that provides in-system-programmable zero delay universal fan-out buffers for use in clock distribution applications. The on-board ispClock5406D is a 6-output clock distribution IC. Differential ultra low skew outputs are organized with two banks per group. Each bank may be independently configured to support separate I/O standards (LVDS, LVPECL, HSTL, SSTL, HCSL, and MLVDS) and output frequency. In addition, each output provides independent programmable control of phase and time skew. All configuration information is stored on-chip in non-volatile E<sup>2</sup>CMOS® memory.

The ispClock5406D devices provide extremely low propagation delay (zero-delay) from input to output using the on-chip low jitter high-performance phase locked loop (PLL). A set of four fixed dividers can be used to generate four frequencies derived from the PLL clock. These dividers are designed in powers of 2 only (2, 4, 8, and 16). The clock output from any of the V-dividers can then be routed to any clock output pair through the output routing matrix. The output routing matrix also enables routing of reference clock inputs directly to any output. For additional details, please refer to the [ispClock5400D Family Data Sheet](#).

*Note: Static electricity can severely shorten the lifespan of electronic components.*

- Use anti-static precautions such as operating on an anti-static mat and wearing an anti-static wristband.
- Store the evaluation board in the anti-static packaging provided.
- Always touch the SMA connector housing to equalize voltage potential between yourself and the board.

## Features

The ispClock5400D Evaluation Board package includes:

- **ispClock5400D Evaluation Board** – The board features the following on-board components and circuits:
  - ispClock5406D programmable clock (ispPAC-CLK5406D-01SN48I)
    - Crystal oscillator circuits
    - Can oscillator circuit landing
    - Resistor networks
    - SMA connectors
    - Power jack
    - Test and JTAG interface headers
- **Pre-loaded Base Demo** – The kit includes a pre-loaded demo design that highlights key performance characteristics of the ispClock5406D device.
- **Lattice ispDOWNLOAD™ Cable (HW-USBN-2A)** – The ispDOWNLOAD cable provides a hardware connection for in-system programming of the ispClock5406D device.
- **User's Guide** – Provides information on powering, connecting lab equipment, and using the board as a clock

source for various Lattice FPGA evaluation boards. The contents of this user's guide include demo operation, top-level functional descriptions of the various portions of the evaluation board, descriptions of the on-board connectors, switches and a complete set of schematics.

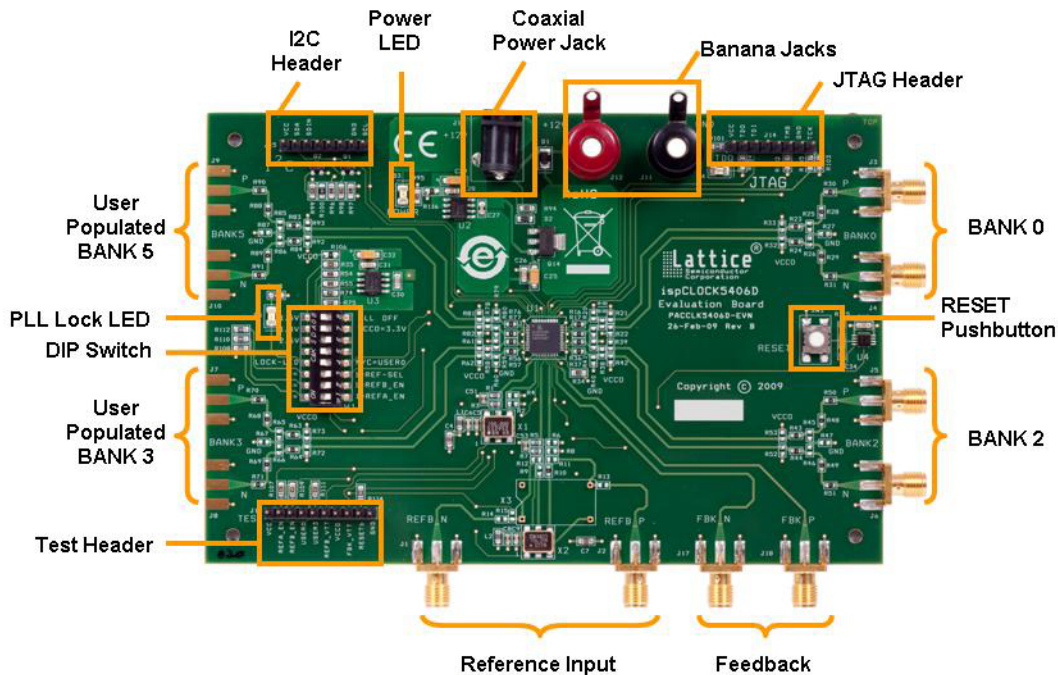
- **QuickSTART Guide** – Provides information on connecting the evaluation board, running the pre-loaded evaluation demo.

The contents of this user's guide include demo operation, programming instructions, top-level functional descriptions of the evaluation board, descriptions of the on-board connectors, switches and a complete set of schematics of the board. For a complete list of the various connections and interfaces used on the ispClock5400D Evaluation Board, please refer to the schematics in Appendix A.

The ispClock5400D Evaluation Board is 100% lead free and RoHS compliant as Lattice Semiconductor Corporation is sensitive to environmental issues.

Additional resources relating to the ispClock5400D Evaluation Board are available on the Lattice web site. Go to: [www.latticesemi.com/boards](http://www.latticesemi.com/boards) and navigate to the appropriate link. Updates to this document can be found there, as well as sample programs and links to other related items.

**Figure 1. ispClock5400D Evaluation Board**



## Software Requirements

Install the following software before you begin developing designs for the ispClock5400D Evaluation Board:

- PAC-Designer® 5.2 (ispClock5406D support)
- *Optional:* ispLEVER®/Pro (LatticeECP3 support)
- *Optional:* ispVM™ System 17.5

---

## Hardware Requirements

The following hardware is recommended for evaluation and demonstrations:

- Four matched SMA cables, SMA-to-BNC, 6 inches to 3 feet in length
- ESD strap or proper ESD test environment
- ispClock5400D Evaluation Board
- Lattice ispDOWNLOAD Cable
- AC wall adaptor for 5V DC output
- *Optional:* LatticeECP3 Serial Protocol Board (LFE3-95EA-SP-EVN)
- *Optional:* LatticeECP3 Video Protocol Board (LFE3-95EA-V-EVN)
- *Optional:* BERT Analyzer
- *Optional:* Agilent 8133A Clock Generator
- *Optional:* 4-channel, high-speed oscilloscope

## Demonstration Designs

A common application of the ispClock5406D and a low-cost CMOS oscillator is to provide a low-jitter clock source for SERDES-based applications in high-performance communications and computing equipment. The evaluation board includes three demos that illustrate key applications of the ispClock5406D in the context of clock distribution applications:

- **ispClock5406D Base Demo** – A pre-programmed, base demo of ispClock5406D features: low-jitter, time/phase skew output control and I<sup>2</sup>C interface.
- **Period Jitter Measurement** – A demonstration of how to connect and measure ispClock5400D period jitter performance with a signal integrity analyzer.
- **SERDES Reference Clock** – A co-demonstration with the LatticeECP3 Serial Protocol or I/O Protocol boards.
- **Video Reference Clock** – A co-demonstration with the LatticeECP3 Video Protocol board.

*Note: It is possible that you will obtain your evaluation board after it has been reprogrammed. To restore the factory default demo and program it with other Lattice-supplied examples, see the Download Demo Designs section of this document.*

### Base Demo of the ispClock5406D

The base demo consists of setting up the ispClock5400D Evaluation Board hardware and test equipment to demonstrate key features of the ispClock5406D device. The ability to adjust skew and frequency will be demonstrated as well as programmable frequency, time and phase delay, reset functions and full dynamic control of internal registers through the on-board I<sup>2</sup>C bus interface.

### Monitoring Clock Outputs

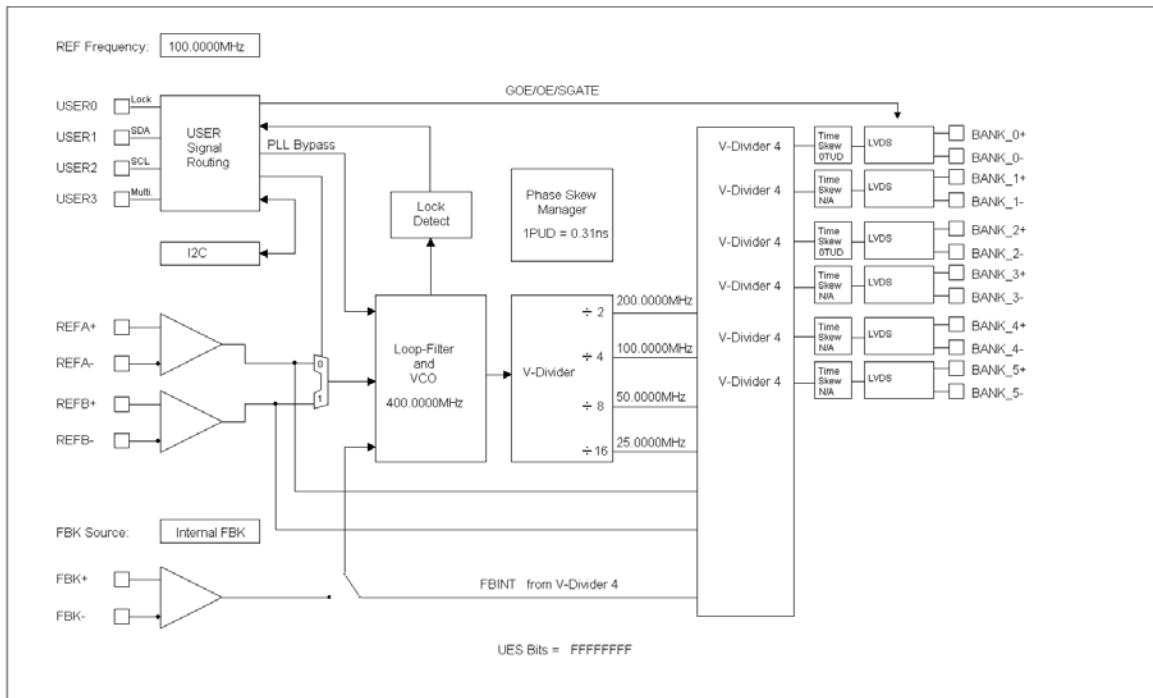
This section describes the procedure to monitor the evaluation board's Bank 0 and Bank 2 clock outputs with a digital oscilloscope. Both banks are configured for LVDS output types.

To monitor clock outputs:

1. If you have not done so already, see the Programming the ispClock5400D Evaluation Board with ispVM section of this document for details on set-up for the programming cable and applying power to the evaluation board.

2. Set DIP switches SW1 3 and 4 ON and all other switches OFF.  
The blue LOCK LED lights to indicate the on-chip PLL is stable and locked to a reference clock.
3. Start PAC-Designer.
4. Choose **File > Open...**  
The Open dialog appears.
5. Browse the **Base\_Demo\_CLK5406D.PAC** project and choose **Open**.  
The ispPAC-CLK5406D schematic view appears.

**Figure 2. ispClock5406D Schematic View**



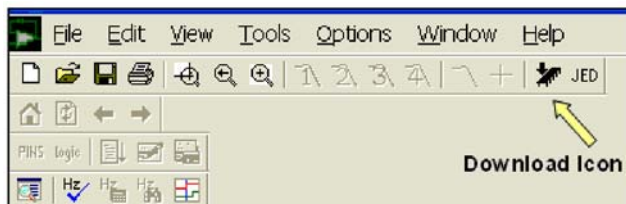
6. Choose **File > Save As**.  
The Save As dialog appears.
7. Specify File name: **Base\_Demo\_CLK5406D\_rev.PAC** and click **Save**.  
PAC-Designer creates a new revision of the project.
8. Choose **View > ispCLK Output Summary**.  
The Output Summary Sheet appears. The default demo will monitor the LVDS outputs driven by BANK\_0 and BANK\_2.

**Figure 3. Output Summary Sheet**

Output	Source	Output Type	Inverted	Output Enable	Controlled by SGATE	Time Skew Selection	Time Skew Enable
BANK_0	V-Divider 4	LVDS	No	Always Enabled	No	0TUD	Yes
BANK_1	V-Divider 4	LVDS	No	Always Disabled	No	N/A	No
BANK_2	V-Divider 4	LVDS	No	Always Enabled	No	0TUD	Yes
BANK_3	V-Divider 4	LVDS	No	Always Disabled	No	N/A	No
BANK_4	V-Divider 4	LVDS	No	Always Enabled	No	N/A	No
BANK_5	V-Divider 4	LVDS	No	Always Enabled	No	N/A	No

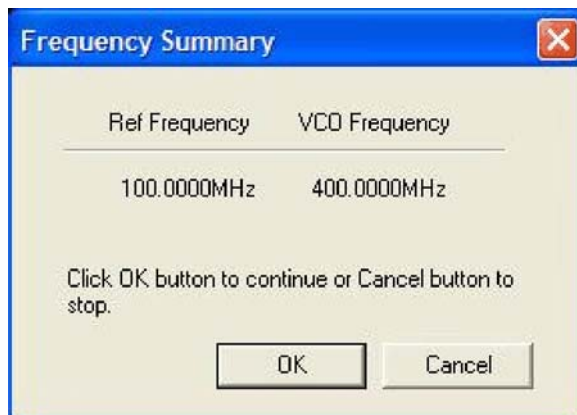
9. If the board is not programmed with the demo project yet, press the **Download** icon on the top toolbar.

**Figure 4. PAC-Designer Top Toolbar**



The Frequency Summary dialog appears and reports the Reference and VCO frequency settings.

**Figure 5. Frequency Summary Dialog Box**



10. Click **OK**.  
PAC-Designer reprograms the evaluation board with the updated JEDEC programming file.
11. Attach high-speed scope leads to the SMA sockets at BANK0 P, N and BANK2 P, N.
12. Set the scope input channel settings to **50 Ohm termination**.

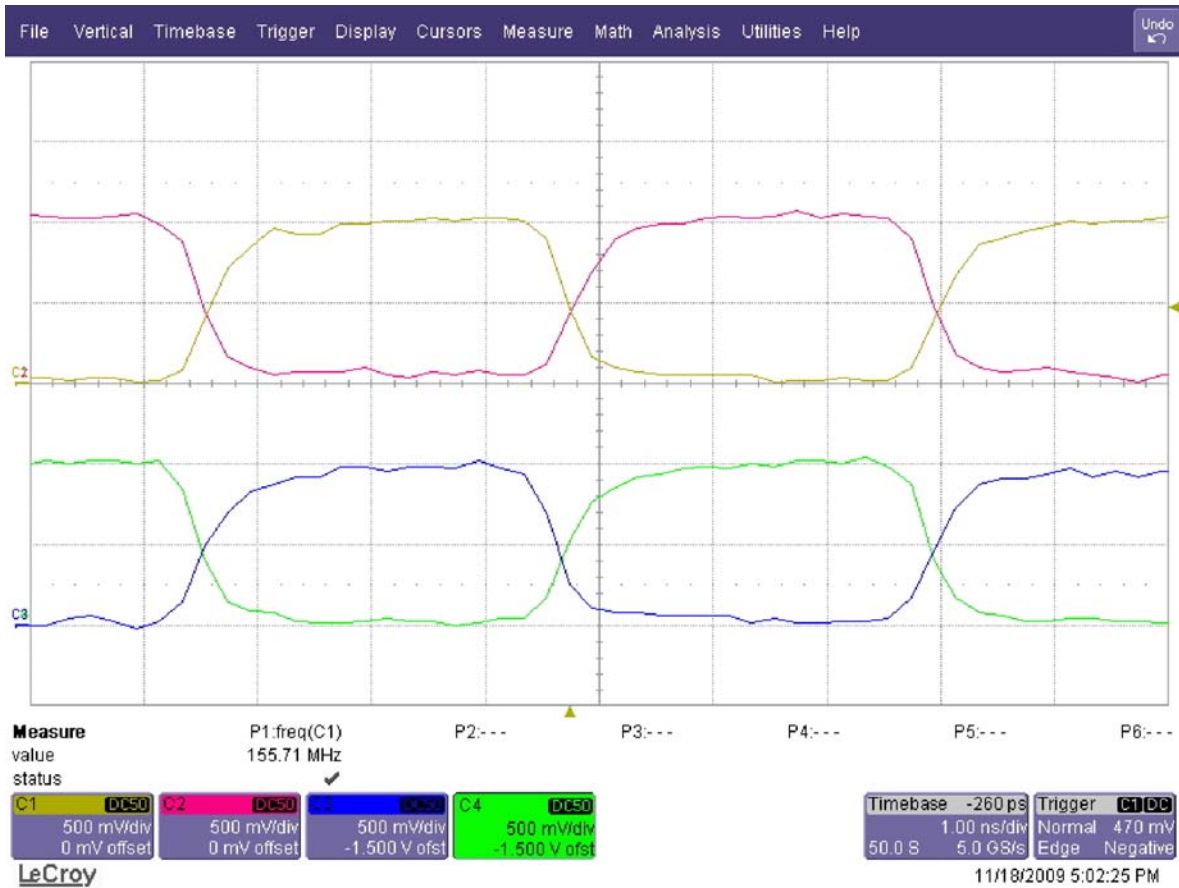
For this mode, we use LVDS and the 50 Ohm termination on each scope channel.

The waveforms shown are using 3' long RG-316 cables with the SMA connectors. If the equipment has high impedance probes or a differential probe, make sure that the LVDS BANK outputs have 100 Ohm termination from BANK\_P to BANK\_N.

When operating properly, you should see four waveforms on the scope as shown in Figure 6. This represents BANK0 and BANK2 output waveforms for both the BANK\_P and BANK\_N on each respectively. BANK0\_P,N are shown on the top pair, BANK2\_P,N are shown on bottom pair. The full differential output would equal: [BANK0\_P minus BANK0\_N] as well as on BANK2.

See the tables in the schematic (Appendix A) showing termination resistor options.

Figure 6. Scope Plot - Four Differential Outputs



Note: For user-designed boards and other applications, refer to the data sheet configurations and the schematics of Appendix A. The schematic shows different resistor combinations for the different output bank settings. In LVDS mode the schematic uses a single 100 Ohm resistor between each BANK\_P and BANK\_N pin as a fully differential output. The demo uses the default factory board assembly with zero Ohm resistors connecting the SMA terminals directly to the output banks. This approach is for the demo only. Some of the waveforms displayed will only show the positive side of each BANK output on the scope for simplicity and timing measurements.

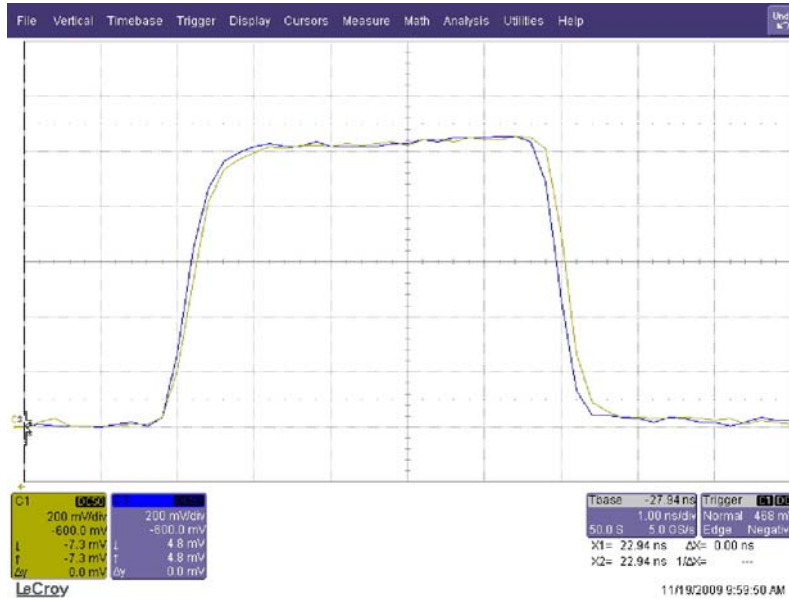
**Modify Clock Time Skew**

This section describes the procedure to modify the time skew of the ispClock5406D output to eliminate the inherent skew between output BANK\_0 and BANK\_2 due to device and cable parasitic.

To modify clock time skew:

1. Adjust the scope to display BANK0\_P and BANK2\_P signals only. Overlap the signals to compare the relative skew.

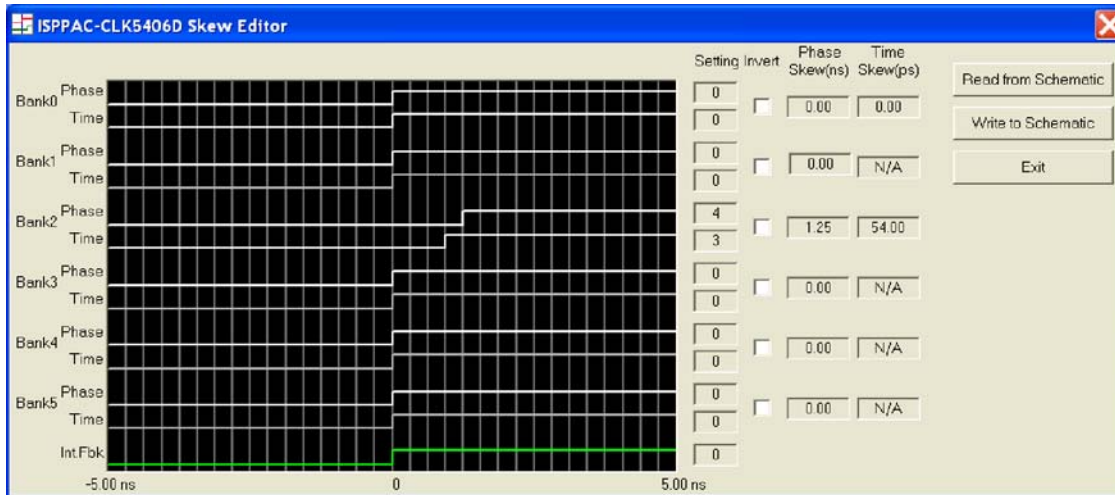
Figure 7. Scope Plot - Bank 0 and Bank 2 Overlapped



Note that a small inherent skew of the outputs plus any set-up delay in cables is about 50-80ps.

2. In PAC-Designer choose **Tools > Design Utilities...**  
The Design Utilities dialog appears.
3. Choose **ispPAC-CLK54\_Skew\_Editor.exe** and click **OK**.  
The ISPPAC-CLK5406D Skew Editor appears.

Figure 8. ispPAC-CLK5406D Skew Editor



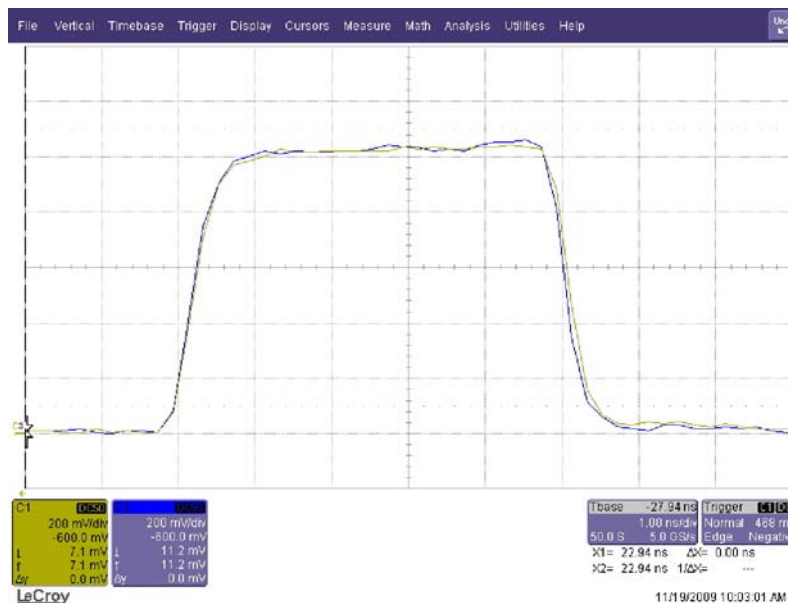
The Skew Editor allows you to graphically configure the ispClock5406D output skew. Waveforms are color coded. All disabled outputs are indicated in gray, while active outputs are indicated in green or white. Skew is adjusted by dragging the waveform edges with the mouse. Dragging the waveform specified as feedback (highlighted in green) will move every other waveform in the opposite direction.

The Phase Skew steps are larger steps than the Time Skew. In the demo design, the “PUD” Phase Unit Delay, has steps of 0.31 ns and there are 16 steps for each bank. For the demo, the Time Skew step is 18 ps.



- Position the mouse over the rising edge of the **Bank2 Time waveform**. The cursor will change to a double-arrow icon to indicate a waveform edit.
- Click and hold the **Bank 2 Time waveform**, then drag it three units to the right. The Setting field displays 3 and Time Skew (ps) displays 54.00.
- Click the **Write to Schematic** button. PAC-Designer updates the time skew setting of the project.
- Click the **Download** icon on the top toolbar. The Frequency Summary dialog appears and reports the Reference and VCO frequency settings.
- Click **OK**. PAC-Designer reprograms the evaluation board with the updated JEDEC programming file.
- Note the updated scope display. This waveform shows the de-skewed outputs.

**Figure 9. Scope Plot - De-skewed Outputs**



The programmable ispClock5406D Time Skew feature allows the device to account for very small incremental delays and correct for system/board trace-level effects. The function is used to correct timing delays and line up edges to either account for PCB layout or to help with clock system timing such as the set-up and hold times of the circuit being driven.

Experiment with the Time Skew and visualize the results on the scope. The demo design time skew range allows you to move clock edges from 18 ps to 270 ps. When finished, set back to the Time-Skew that yields the best results for your set-up.

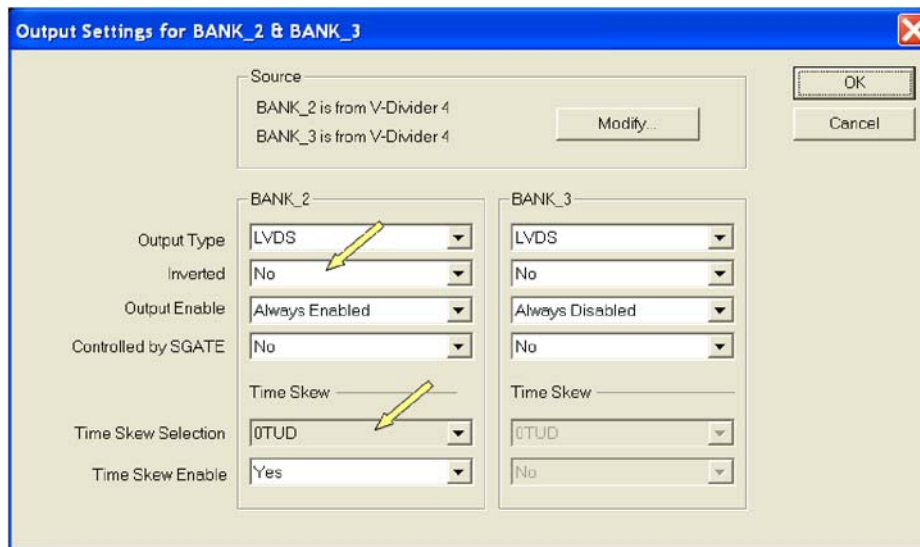
### Invert Clock Output

This section describes the procedure to invert the ispClock5406D output. In this procedure you will use the ispClock5406D Invert feature to invert Bank2 output.

To invert a clock output:

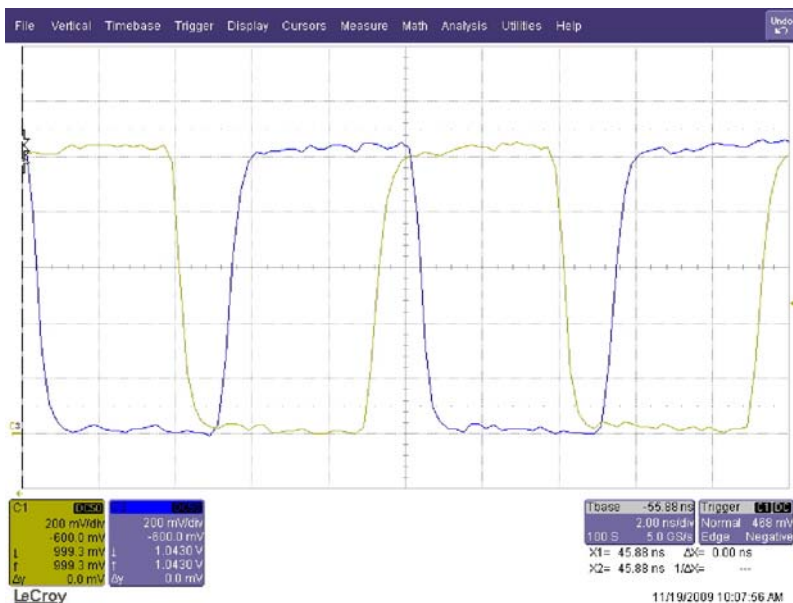
1. From the PAC-Designer schematic view, double-click the **BANK\_2+/BANK\_2- Output Block**. The Output Settings for BANK\_2 & BANK\_3 dialog box appears.

**Figure 10. Output Settings for BANK\_2 & BANK\_3**



2. Choose **Inverted = Yes** from the BANK\_2 section of the dialog and click **OK**. PAC-Designer updates the output setting of the project.
3. Click the **Download** icon on the top toolbar. The Frequency Summary dialog appears and reports the Reference and VCO frequency settings.
4. Click **OK**. PAC-Designer reprograms the evaluation board with the updated JEDEC programming file.
5. Note the updated scope display. The waveform shows the inverted BANK\_2 output.

Figure 11. Scope Plot - Inverted Output Bank



- Repeat steps 1-4 to adjust the output bank to not invert the output (**Inverted = No**) and reprogram the device.

### Modify Clock Phase Skew

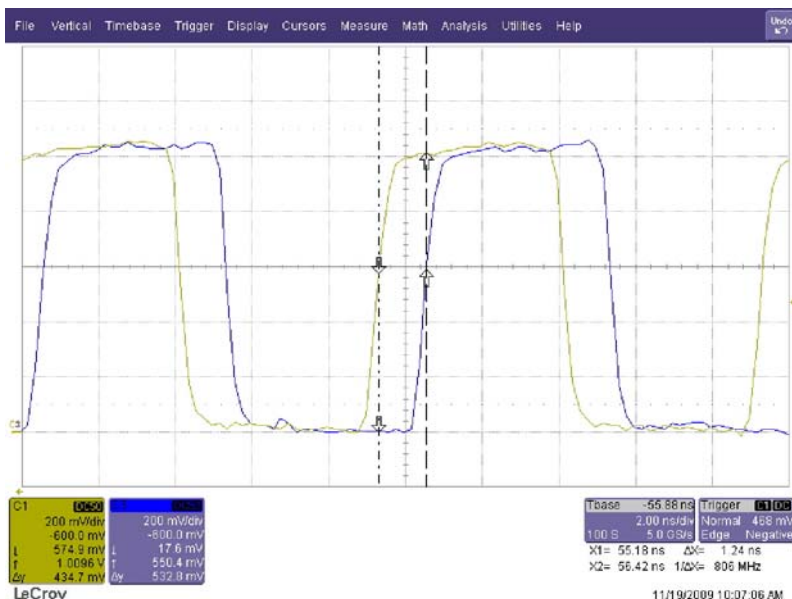
This section describes the procedure to modify phase skew of the ispClock5406D output. The Phase skew Unit Delay (PUD) is 0.31 ns for the demo design. In the following procedure the phase skew will be advanced four PUD units or 1.24 ns.

To modify clock phase skew:

- From PAC-Designer choose **Edit > Symbol...**  
The Edit Symbol dialog appears.
- Choose **Skew Manager** and click the **Edit...** button  
Phase Skew Manager appears.
- Choose the following options:  
Skew Step = **Fine**  
BANK\_2 Phase Skew = **4PUD**  
Click **OK**.

PAC-Designer updates the phase skew for the project.

- Click the **Download** icon on the top toolbar.  
The Frequency Summary dialog appears and reports the Reference and VCO frequency settings.
- Click **OK**.  
PAC-Designer reprograms the evaluation board with the updated JEDEC programming file.
- Note the updated scope display.

**Figure 12. Scope Plot - Phase Skew Adjustment**

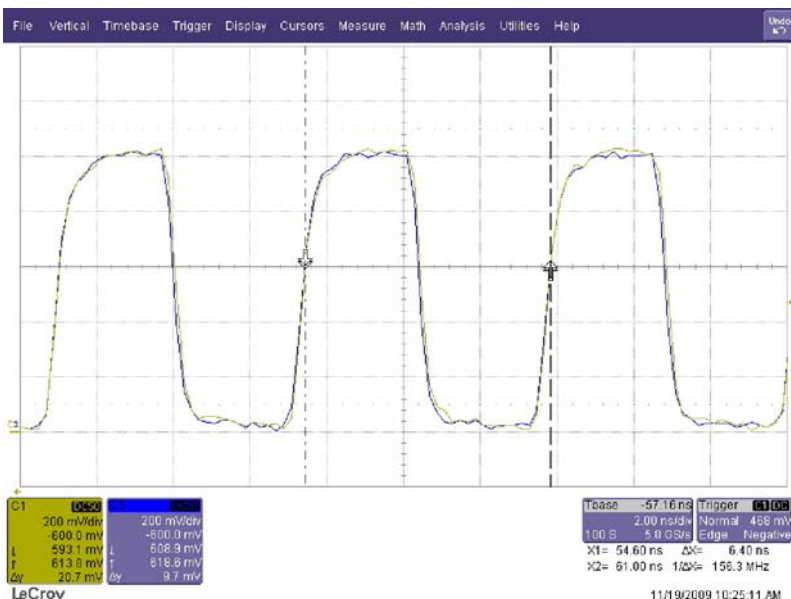
The waveform shows the BANK\_2 output advanced 1.24 ns.

### Modify the Reference Clock Source Input

The evaluation board provides both 100 MHz (REFA) and 156.25 MHz (REFB) reference clock sources using on-board CMOS oscillators. This section demonstrates active clock selection using the ispClock5406D user-programmable control and status USER pins, to adjust the on-chip REFSEL signal. In this case, the user signal input (USER3) acts as a mux control over REFA and REFB input reference clocks.

To modify the reference clock source input:

1. From PAC-Designer, double-click the **USER Signal Routing Block**. The USER Pin Function Allocation dialog appears.
2. Note the REFSEL function input is set to the USER3 pin input. This allows an external control over the ispClock5406D reference clock source input path.
3. Click **Cancel**.
4. Toggle position 3 of the DIP switch (USER3) on the evaluation board to the **0= (zero)** position to enable the 156.25 MHz input reference clock, REFB\_P/N input.
5. Note the updated scope display.

**Figure 13. Scope Plot - 156.25 MHz Output**

The 156.25 MHz clock from the REFB input output appears on the scope.

- Toggle position 3 of the DIP switch (USER3) on the evaluation board back to the **1=REF-SEL** position to enable the 100 MHz input reference clock, REFA\_P/N input.

### In-System Changes via I<sup>2</sup>C Bus Interface

This section demonstrates the I<sup>2</sup>C status and control interface to the ispClock5406D device. The I<sup>2</sup>C interface feature allows you to override many device parameters of the device programming and make in-system changes to almost all phase, time, reference and frequency settings of the ispClock5406D. The feature allows dynamic time/phase skew for testing and margining of the output clocks, on every bank output pair. Upon device reset the device returns to the configuration stored in E<sup>2</sup>CMOS.

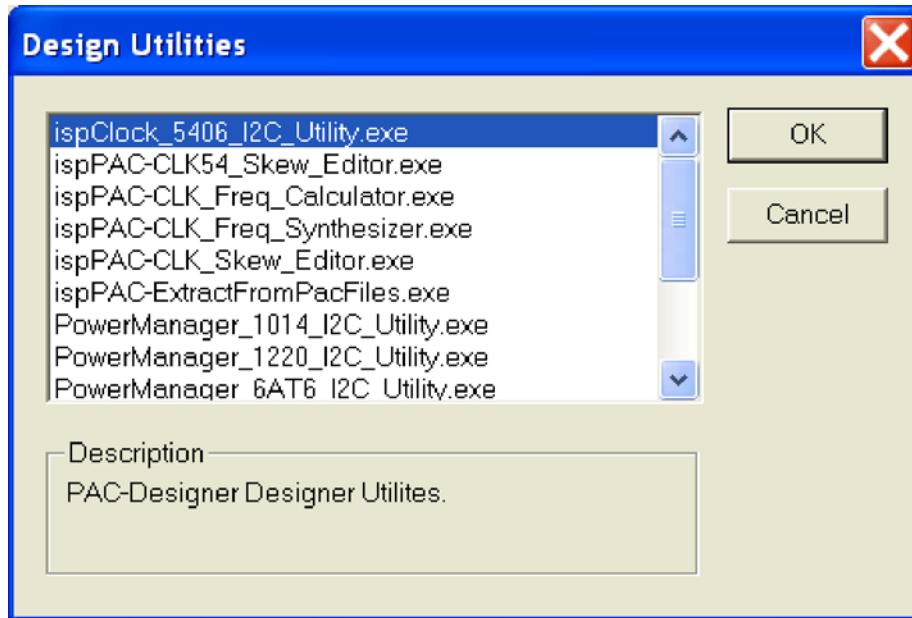
The PAC-Designer I<sup>2</sup>C Design Utility for the ispClock5406D provides a software interface to the ispClock5406D I<sup>2</sup>C registers such as output group and PLL controls.

The demo will apply all the changes you performed by reprogramming the device in the earlier procedures of the user's guide.

To set up the I<sup>2</sup>C ispDOWNLOAD Cable interface:

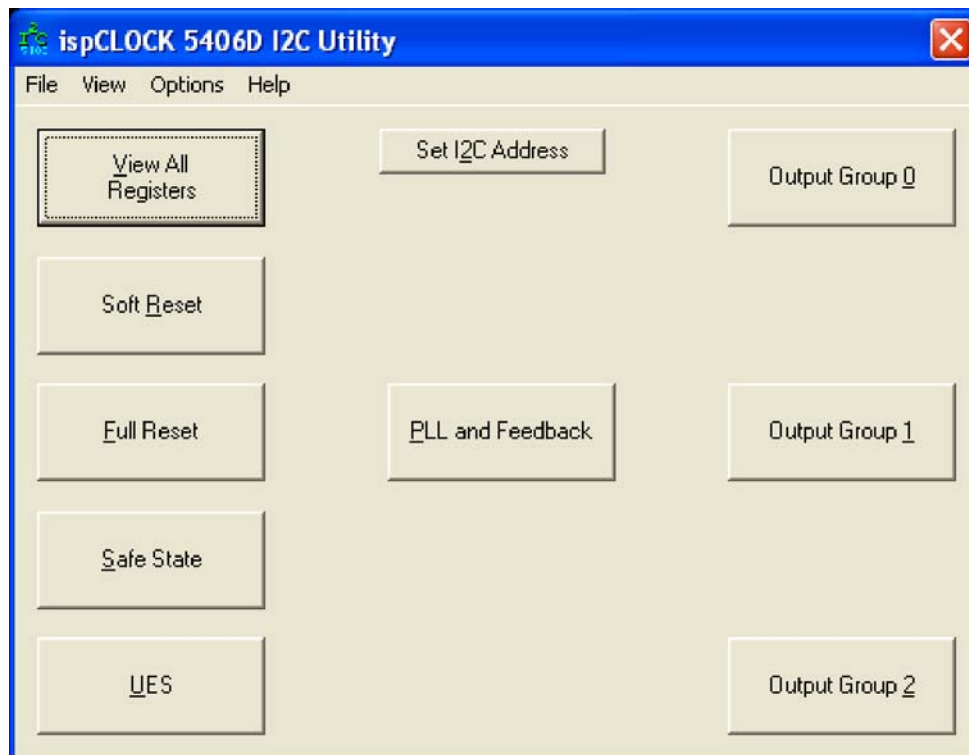
- If you have not done so already, connect the ispDOWNLOAD cable to the I<sup>2</sup>C pin header (Appendix A, Figure 41).
- Start PAC-Designer.
- Choose **File > Open...**  
The Open dialog appears. (Note for PAC-Designer 5.2: See the Troubleshooting section of this user's guide for information on a correction required prior to using the I<sup>2</sup>C Design Utility.)
- Browse the **Base\_Demo\_CLK5406.PAC** project and choose **Open**.  
The ispPAC-CLK5406D schematic view appears.
- From PAC-Designer choose **Tools > Design Utilities...**  
The Design Utilities dialog appears.

Figure 14. Design Utilities Dialog Box



6. Select **ispClock\_5406\_I2C\_Utility.exe** and click **OK**.  
The ispClock5406D I<sup>2</sup>C Utility appears.

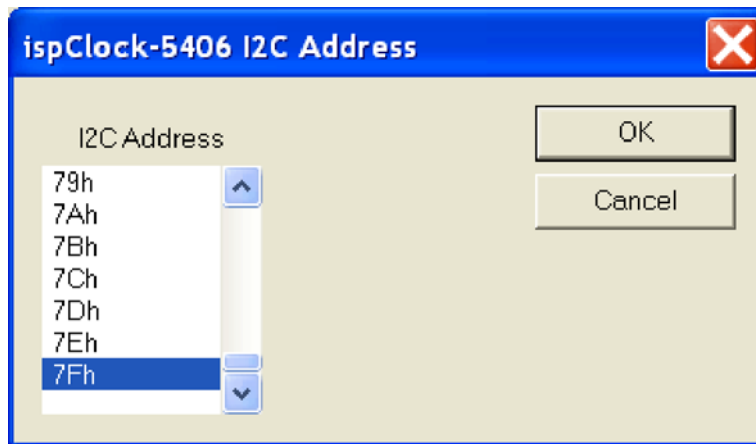
Figure 15. ispClock5406D I<sup>2</sup>C Utility



7. Choose **Options > I2C Interface...**  
The Cable and I/O Port Setup Dialog appears.

8. Click the **Change...** button until the **Uses PC USB Port** title appears.
9. Disable the **Bypass Hardware Checking (Demo Mode)** option.
10. Click the **Settings...** button.  
The USB Settings dialog appears.
11. From the Select **USB port name...** section, choose **Search for download cable on all USB ports** and click **Connect Now**.  
The I<sup>2</sup>C utility indicates when the USB connection is made. Click **OK**.
12. From the Cable and I/O Port Setup dialog, click **OK**.
13. From the ispClock5406D I<sup>2</sup>C Utility click the **I<sup>2</sup>C Address = ...** button.  
The ispClock5406 I<sup>2</sup>C Address dialog appears.

**Figure 16. ispClock5406D I<sup>2</sup>C Address Dialog Box**



14. Select **7Fh** from the I<sup>2</sup>C Address list and click **OK**.  
The I<sup>2</sup>C Utility sets the I<sup>2</sup>C address for the ispClock5406D.

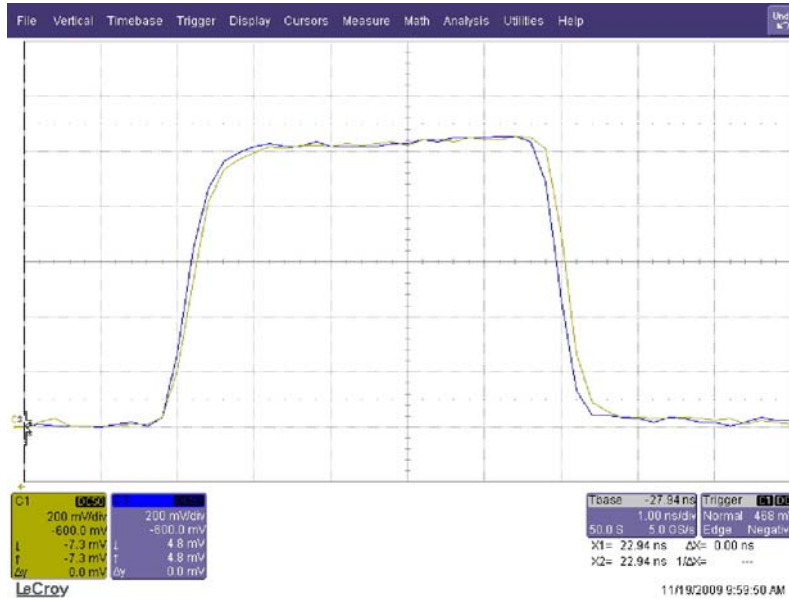
The 5406D I<sup>2</sup>C device address must match what is stored in E<sup>2</sup>CMOS when the device program was downloaded with the JTAG pattern. Once the address is set, full communication can be established with the device using the I<sup>2</sup>C interface.

*Note: Make sure the ispDOWNLOAD cable is moved to the I<sup>2</sup>C port header J15 on the evaluation board.*

To apply an in-system output change:

1. If you have not done so, connect the evaluation board to a scope and adjust the display using the procedure in the Modify Clock Time Skew section of this document.
2. Adjust the scope to display **BANK0\_P** and **BANK2\_P** signals only. Overlap the signals to compare the relative skew.

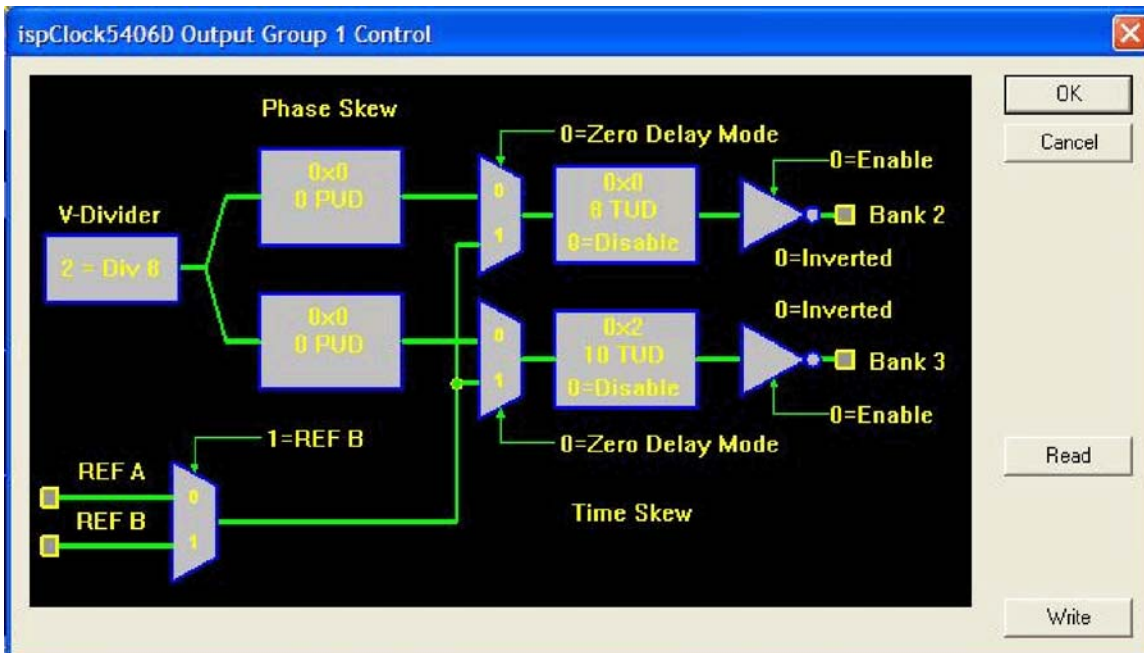
Figure 17. Scope Plot - Skew Measurement



Note a small inherent skew of the outputs plus any set-up delay in cables is about 50-80ps.

- From the ispClock5406D I<sup>2</sup>C Utility click the **Output Group 1** button. The ispClock5406D Output Group 1 Control dialog appears.

Figure 18. ispClock5406D Output Group 1 Control



The I<sup>2</sup>C utility output group control supports in-system changes to:

- V-Dividers settings/routing for each bank
- Phase-Skew enable
- Output Bank enable, OE control



- Ref Select, reference A or B MUX control
  - Phase-Skew value, 16 values
  - Output Delay Mode for Zero-Delay mode or FOB, Fan-Out Buffer mode
4. Double-click the Bank 2 output block (**0x0, 8 TUD, 0=Disable**) of the schematic.  
The Output Group-1 Bank 2 Time Skew dialog appears.
  5. Specify **3** and click **OK**.  
The output block display is updated to 0xB, 3 TUD, 0=Disable to indicate the new configuration of the block.
  6. From the ispClock5406D Output Group 1 Control dialog click the **Write** button.  
The I<sup>2</sup>C utility writes the control registers to the ispClock5406D I<sup>2</sup>C interface and updates the time skew by three steps (18 ps x 3 = 54 ps).
  7. Note the updated scope display.

The BANK0\_P and BANK2\_P outputs will be de-skewed in the same manner as the reprogrammed device demonstrated in section 6.1.2 Modify Clock Time Skew of the user's guide. The value is written to the register and active at this point unless an I<sup>2</sup>C soft or full reset or hardware power on reset occurs.

For more information on I<sup>2</sup>C control registers, see the [ispClock5400D Family Data Sheet](#).

8. From the ispClock5406D Output Group 1 Control dialog click the **OK** button.

You may wish to experiment with the I<sup>2</sup>C utility interface to apply the same clock inversion and phase skew changes as documented in the Invert Clock Output and 6.1.4 Modify Clock Phase Skew section of this document.

To reset the ispClock5406D device via the I<sup>2</sup>C interface:

1. From the ispClock5406D I<sup>2</sup>C Utility, click the **Soft Reset** button.  
The ispClock5406D Soft Reset dialog prompt appears and the I<sup>2</sup>C utility issues the I<sup>2</sup>C command to assert soft reset. During this state the PLL, Dividers, Phase and Time Skew blocks are reset. The differential outputs of the ispClock5406D banks disabled during the soft reset state.

**Figure 19. ispClock5406D Soft Reset Dialog - Soft Reset State**



2. Click **OK**.
3. Click the **Soft Reset** button.  
The ispClock5406D Soft Reset dialog prompt appears and the I<sup>2</sup>C utility issues the I<sup>2</sup>C command to release soft reset.

Figure 20. ispClock5406D Soft Reset Dialog - Soft Reset Released State



4. Click **OK**.  
Note the scope display changes to reflect the time-skewed waveform pattern produced earlier. I<sup>2</sup>C commands will be retained and reapplied after soft reset has been released.
5. Click the **Full Reset** button.  
The ispClock5406D Full Reset dialog prompt appears and the I<sup>2</sup>C utility issues the I<sup>2</sup>C command to assert full reset. During this state, all configuration registers are updated from the E<sup>2</sup>CMOS configuration. All the values loaded by I<sup>2</sup>C are overwritten. This command is equivalent to toggling the RESETb pin of the ispClock5406D device. The differential outputs of the ispClock5406D banks are disabled during the full reset state.
6. Click **OK**.
7. Click the **Full Reset** button.  
The ispClock5406D Full Reset dialog prompt appears and the I<sup>2</sup>C utility issues the I<sup>2</sup>C command to release full reset. When released from a full reset the device reverts back to the configuration state that is defined and stored in E<sup>2</sup>CMOS.
8. Click **OK**.  
Note the scope display changes to reflect the original waveform pattern produced by the initial ispClock5406D device programming.

You have completed the ispClock5406D Base Demo. You can try other in-system device configurations using the I<sup>2</sup>C utility or modify the PAC-Designer project then reprogram the device.

## Period Jitter Measurement

The demo consists of setting up the ispClock5400D Evaluation Board hardware and a Wavecrest (Gigamax) SIA-3000D analyzer to demonstrate the ultra-low phase jitter of the ispClock5406D device.

How to set up the SIA-3000D:

1. From the SIA-3000D, GigaView software, perform Extended Timer Calibration ( $\geq 11$ min calibration).
2. Open the Clock Analysis Tool and set up for a Period Jitter measurement.

Set up the base demo project for a phase jitter measurement:

1. Use PAC-Designer to open the **Base\_Demo\_CLK5406D.PAC** project.
2. Save the Base\_Demo\_CLK5406D.PAC as **Base\_Demo\_CLK5406D\_jitter.pac**.
3. Choose **Edit > Symbol...**  
The Edit Symbol dialog appears.
4. Choose **REF Frequency** and click **Edit...**  
The PLL Core Settings dialog appears.

- 
5. Specify REF Frequency: **100** then click the **Internal Feedback, Modify...** button.  
The External Feedback Setting dialog appears.
  6. Select **Internal Feedback**, select **Feedback taken from V-Divider 8**, and click **OK**.
  7. From the PLL Core Settings dialog, click **OK**.
  8. From the Edit Symbol dialog, select **USER PINS** and click the **Edit...** button.  
The USER Pin Function Allocation dialog appears.
  9. Select **PLL\_BYPASS = PLL** then click the **OK** button.  
The USER Pin Summary dialog appears. Click the **OK** button.
  10. From the Edit Symbol dialog select **Output BANK\_0** then click the **Edit...** button.  
The Output Settings for BANK\_0 & Bank\_1 dialog appears.
  11. Click the **Source, Modify...** button.  
The Output Pair Source Setting dialog box appears.
  12. For BANK\_0, choose **V-Divider-8**, choose, **From V-Divider**, and click the **OK** button.  
  
From the Output Settings for BANK\_0 & BANK\_1 dialog, select the following options for BANK\_0:  
Output Type: **LVPECL**  
Output Enable: **Always Enabled**  
  
Select the following option for BANK\_1:  
Output Enable: **Always Disabled**  
Click the **OK** button.
  13. From the Edit Symbol dialog select **Output BANK\_2** then click the **Edit...** button.  
The Output Settings for BANK\_2 & Bank\_3 dialog appears.
  14. From the Output Settings for BANK\_2 & BANK\_3 dialog, select the following options for BANK\_2:  
Output Enable: **Always Disabled**  
  
Select the following option for BANK\_3:  
Output Enable: **Always Disabled**  
  
Click the **OK** button.
  15. From the Edit Symbol dialog select **Output BANK\_4** then click the **Edit...** button.  
The Output Settings for BANK\_4 & Bank\_5 dialog appears.
  16. From the Output Settings for BANK\_4 & BANK\_5 dialog, select the following options for BANK\_4:  
Output Enable: **Always Disabled**  
  
Select the following option for BANK\_5:  
Output Enable: **Always Disabled**  
  
Click the **OK** button.
  17. From the Edit Symbol dialog, click **Close**.
  18. Click the **Download** icon on the top toolbar.  
The Frequency Summary dialog appears and reports the Reference and VCO frequency settings.
  19. Click **OK**.  
PAC-Designer reprograms the evaluation board with the updated JEDEC programming file.
-

Set up the evaluation board for a phase jitter measurement:

1. Set the evaluation board DIP switches to enable **3.3V VCCO**.
2. Enable the **REFA** Oscillator input.
3. Disable the **REFB** Oscillator input.
4. Set the REF\_SEL switch to **0**.
5. Connect the BANK0 differential outputs to the SIA-3000D differential inputs.
6. From the SIA-3000D GigaView software, execute **Pulse Find**.
7. Initiate Clock Analysis measurement. Typical phase jitter for the ispClock5406D is 2.5ps.

### **SERDES Clock Source for LatticeECP3 Serial Protocol Board Demo**

AN6081, [Driving SERDES Devices with the ispClock5400D Differential Clock Buffer](#), describes the low-jitter performance characteristics of the ispClock5406D clock output in the context of a XAUI application. SMA connections J29, J33 and J30, J34 of the LatticeECP3 Serial Protocol Board allow you to connect the SMA outputs of the ispClock5400D Evaluation Board as high-quality clock source.

### **Video Clock Source for LatticeECP3 Video Protocol Board Demo**

AN6081, [Driving SERDES Devices with the ispClock5400D Differential Clock Buffer](#), describes the low-jitter performance characteristics of the ispClock5406D clock output in the context of a 270 MHz SDI video application.

This demonstration requires Lattice Intellectual Property for the LatticeECP3 FPGA. Please contact Lattice for more information on how to obtain the project source.

### **Download Demo Designs**

The ispClock5406D base demo is preprogrammed into the evaluation board, however over time it is likely your board will be modified. Lattice distributes source and programming files for demonstration designs compatible with the evaluation board.

To download demo designs:

1. Browse to the [ispClock5400D Evaluation Board web page](#) of the Lattice web site. Select the **Demo Applications** download and save the file.

Extract the contents of Base\_Demo\_CLK5406.zip to an accessible location on your hard drive.

### **Export an ispClock5406D JEDEC with PAC-Designer**

Use the procedure below to re-export a JEDEC programming file for any ispClock5406D demo project for the evaluation board.

1. Install and license PAC-Designer software ([www.latticesemi.com/products/designsoftware/pacdesigner](http://www.latticesemi.com/products/designsoftware/pacdesigner)).
2. Download the demo source files from the ispClock5400D Evaluation Board web page.
3. Run PAC-Designer.
4. Open the <demo>.pac project file.
5. Choose **File > Export...** The Export dialog appears.
6. Select **Export What: Jedec File**.

7. Click the **Browse...** button. The Save As dialog appears.
8. Browse to the destination folder, specify a file name, and click **Save**.
9. Click **OK**. After a few moments the JEDEC programming file is output.
10. See the Programming with PAC-Designer section of this document for details on downloading a programming file to the board.

## Programming the ispClock5400D Evaluation Board with PAC-Designer

To restore the ispClock5406D to factory settings or load an alternative demo design, use the procedure in this section to reprogram the evaluation board using PAC-Designer software.

Programming for the ispClock5406D device is controlled using PAC-Designer or the ispVM System software, available for download from the Lattice website at [www.latticesemi.com/ispvm](http://www.latticesemi.com/ispvm). Refer to the ispVM System software for help regarding operation of this software.

JTAG programming is supported with the eight-pin connector J14 and either the Lattice ispDOWNLOAD USB download cable (HW-USBN-2A, provided) or the parallel download cable (HW-DLN-3C). PAC-Designer provides an interface to configure the ispClock5406D and can be used to either directly program the evaluation board or to export a JEDEC file which can be used with ispVM to program the evaluation board.

The board must be un-powered when connecting, disconnecting, or reconnecting the ispDOWNLOAD Cable. Always connect the ispDOWNLOAD Cable's GND pin (black wire) before connecting any other JTAG pins. Failure to follow these procedures can in result in damage to the ispClock5406D device and render the board inoperable.

### Connecting Programming Cable and a Power Source

To connect the ispClock5400D Evaluation Board to your PC:

1. Plug the ispDOWNLOAD Cable into the USB port on the PC.
2. Plug the JTAG color-coded wires of the ispDOWNLOAD cable in the order marked on the board's JTAG interface header (J14) before applying power. The cable comes with an 8-pin adapter for 1x8. This will allow you to maintain the order and simplifies moving it to other ports.
3. Plug the power cord in and insert the connector into the Power Jack (J13).

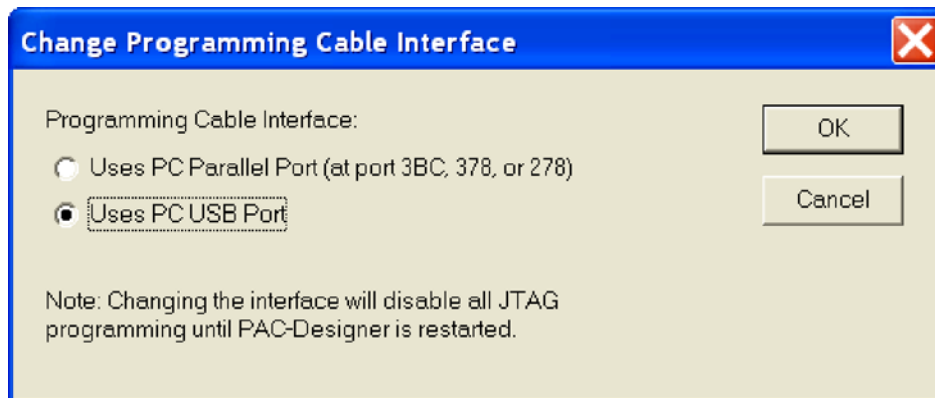
Once the board is powered up, you will see the green LED labeled POWER. This LED is lit when the AC adapter is plugged in or if the board is powered by the +12V red and black banana receptacles.

### Set up the Programming Cable Interface

To setup the ispDOWNLOAD cable interface:

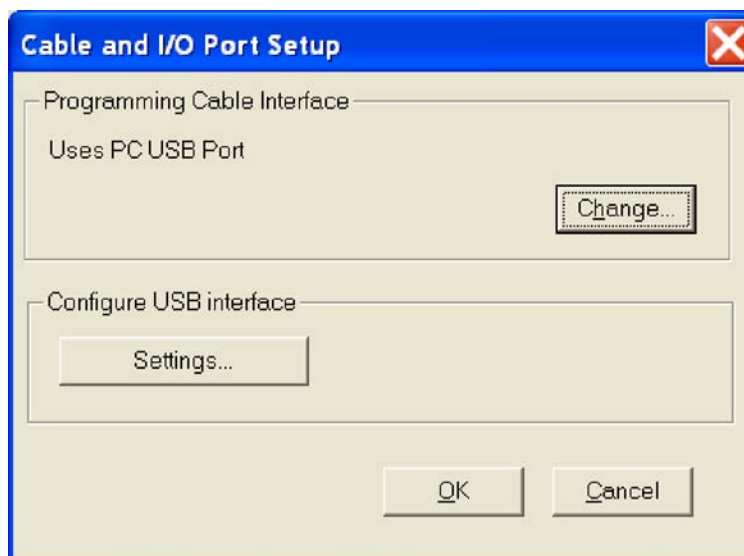
1. Run PAC-Designer.
2. Choose **Options > Cable and I/O Port Set-up**.  
The Cable and I/O Port Setup dialog appears.
3. From the Programming Cable Interface section, click the **Change...** button.  
The Change Programming Cable Interface dialog appears.

*Figure 21. Change Programming Cable Interface Dialog Box*

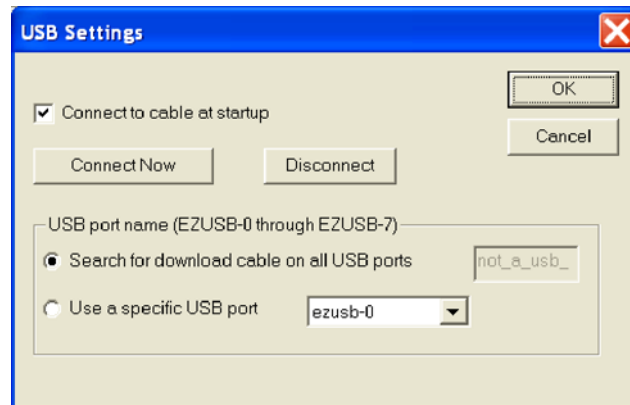


4. From the Programming Cable Interface list, select **Uses PC USB** and click **OK**.  
The Cable and I/O Port Setup dialog appears.

*Figure 22. Cable and I/O Port Setup Dialog Box*



5. Click **Settings...**  
The USB Setting dialog appears.

**Figure 23. USB Settings Dialog Box**

6. Enable Connect at startup and click **OK**.  
An information dialog appears. After altering the USB setting within these dialog boxes, PAC-Designer must be restarted to load the port drivers for the system.

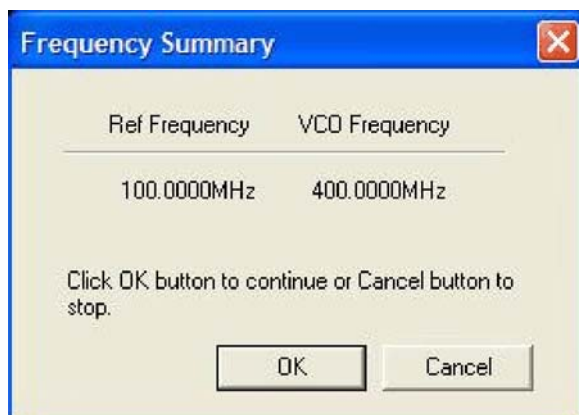
**Figure 24. PAC-Designer JTAG Prompt**

7. Click **OK** to dismiss the message.
8. Close PAC-Designer.

### Programming the Evaluation Board

To reprogram the ispClock5400D Evaluation Board:

1. Run PAC-Designer.
2. Open the <demo>.pac project file.
3. Choose **Tools > Download**  
The Frequency Summary dialog appears and reports the Reference and VCO frequency settings.

**Figure 25. Frequency Summary Dialog Box**

4. Click **OK**.

PAC-Designer reprograms the evaluation board with the updated JEDEC programming file.

## ispClock5400D Evaluation Board

This section describes the features of the ispClock5400D Evaluation Board in detail. The features appear in alphabetical order.

### DIP Switch

To simplify the use of the evaluation board an 8-position DIP switch (SW1) is provided for common adjustments. The switch can be roughly divided into four sections: reference oscillator control, PLL control, output enables, and VCCO control. Table lists the switches and their respective functions. Note that for switch sections 6, 7, and 8 only one should be on at a time. The default setting with all the switches to the left (OFF) enables the on-board oscillator, selects that as the clock reference, and allows the PLL to lock to that frequency.

**Table 1. DIP Switch Functions**

To the Left	SW1 – Section	To the Right
0=	1	1=REFA_EN
0=	2	1=REFB_EN
0=	3	1=REF-SEL
LOCK-LED	4	N/C=USER0
Unused	5	Unused
2.5V	6	3.3V
1.8V	7	3.3V
1.5V	8	3.3V

### Input/Output Connections

The evaluation board incorporates tapered transitions from the SMA connectors to the matched 50-ohm microstrip transmission lines. All of the output transmission lines are matched in length to the sense signals (REFA, REFB, and FEEDBACK) to support accurate timing measurements both for bank-to-bank and input-to-output. The header at J16 (Appendix A, Figure 41) provides access to the essential control and monitor pins of the ispClock5406D such as REFA\_EN, REFB\_EN, USER0, USER3, REFB\_VTT, VCCO, and FBK\_VTT.

### Off-Board Clock Connections

An off-board CMOS clock can be used by connecting to the REFB\_P (J2) SMA connector (Appendix A, Figure 35). When using a CMOS reference clock, the negative differential input must be biased to VCC/2. For REF\_B this is done by populating R5, R7, and C53.



The ispClock5406D can also be driven from an external differential clock source by moving the zero-ohm resistor from the R35 location to the R37 location and connecting the clocks to both REFB\_N and REFB\_P inputs (J1 and J2). When an external clock source is used, switches 1 and 2 of DIP-switch SW1 (Appendix A, Figure 34) should be in the left position to disable both on-board oscillators. When an external clock is used for REFB\_P (J2), zero ohm resistors must be used for R13 and R11 and R10 should be removed. If an external clock is used for REFB\_N (J1), then zero ohm resistors must be used for R14 and R12, and R15, R9, R7, and R5 should be removed.

### On-Board Termination

The ispClock5400D Evaluation Board is designed to support a variety of on-board termination schemes. The board comes from the factory with zero-ohm jumpers in place of the on-board termination in order to support off-board termination and quick validation of designs with an oscilloscope. In this section we will detail the various termination schemes using output Bank-0 as the example. The other three output banks have similar circuits and reference numbering to promote ease of use.

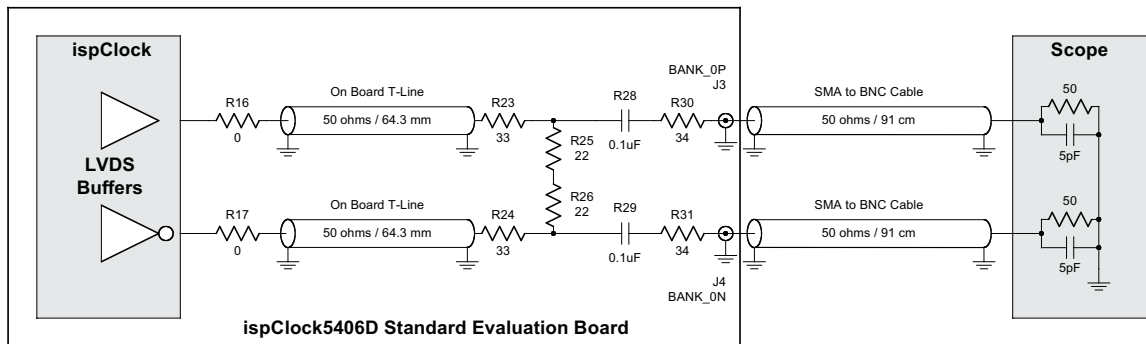
At first glance, the schematic shown in Appendix A, Figure 36 (or any sheet containing the output bank schematics) appears to have too many parts between the ispClock5406D outputs and the SMA connectors. However, only some of the parts are required for any particular output mode. So, for any given output mode there will be several unpopulated parts. Each output mode will be covered in detail in the following sections.

All the passive devices used in the termination have SMD 0605 footprints. R28 and R29 are not mislabeled, in more cases the positions are populated with resistors but, in other cases DC blocking capacitors. The on-board T-Line and termination networks support differential viewing of the signal at the end of the T-Line. In cases where only one output of the signal is to be viewed (connected to a scope) the other output should be terminated with a similar length of cable and a 50 ohm terminator.

### LVDS

Low Voltage Differential Signal (LVDS) termination requires 100 ohms differential at the end of the transmission line. The network shown at the end of the T-line in Figure 26 provides the required termination impedance and sends a portion of the waveform off board to a scope. The sum of R23, R25, R26, and R24 add up to 110 ohms which is 10 ohms too much. However, the AC coupling provided by R28, and R29 brings the scope impedance and the series resistors R30 and R31 in parallel with R25 and R26 ( $168 \parallel 44 = 34.87$ ). This effectively lowers the impedance seen at the end of the T-line to about 101 ohms and provides a divider network to sample the signal at the scope without causing reflections or an impedance miss-match. The divider ratio is about 4.75:1 and can be verified by measuring the voltage at the end of the T-line with an amplified high frequency probe on the scope.

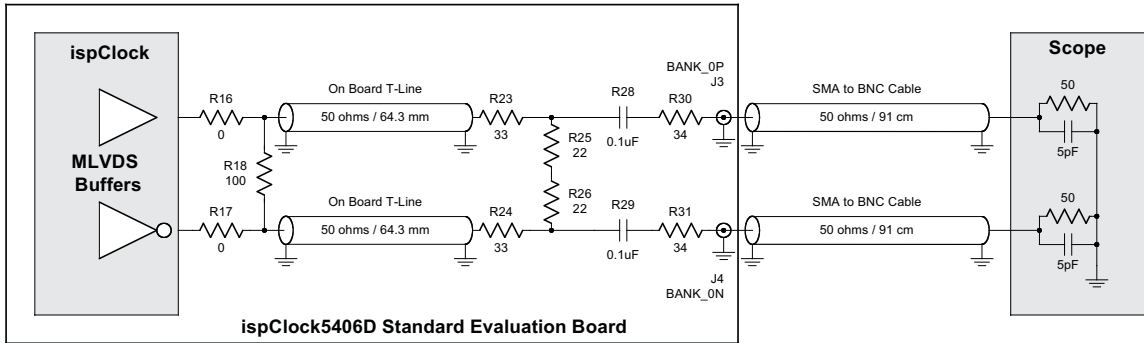
Figure 26. Bank 0 LVDS with On-Board Termination



### MLVDS

Multi-drop LVDS (MLVDS) termination incorporates a differential source termination resistor in addition to standard LVDS termination. Figure 27 shows R18 providing the source termination at the driven side of the T-Line. At the receiving end of the on-board T-Line, the termination and scope sense circuit is identical to that of LVDS circuit discussed above.

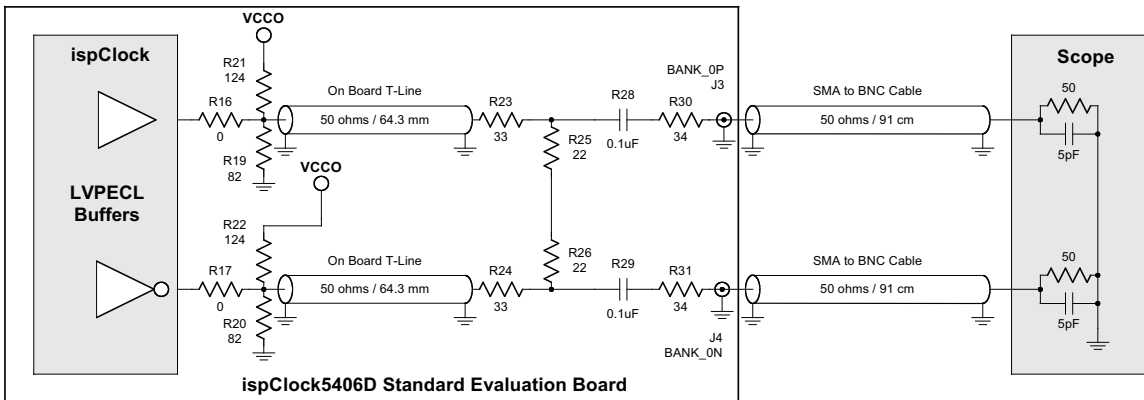
Figure 27. Bank 0 MLVDS with On-Board Termination



**LVPECL**

LVPECL drivers require a DC bias at the driven end of the T-Line and 100 ohms differential termination at the receiving end of the T-Line. The DC bias is usually provided by 50 ohms impedance to VCCO-2V. This will both bias the output buffers and terminate one end of the T-Line to minimize reflections. In Figure 28, R19 with R21 and R20 with R22 function as voltage dividers to provide the required bias and termination. With a 3.3V VCCO supply the divided voltage is 1.3V and the Thevenin-equivalent impedance seen by the T-Line is 50 ohms ( $82 \parallel 124 = 50$ ). At the receiving end of the on-board T-Line, the termination and scope sense circuit is identical to that of LVDS circuit discussed above.

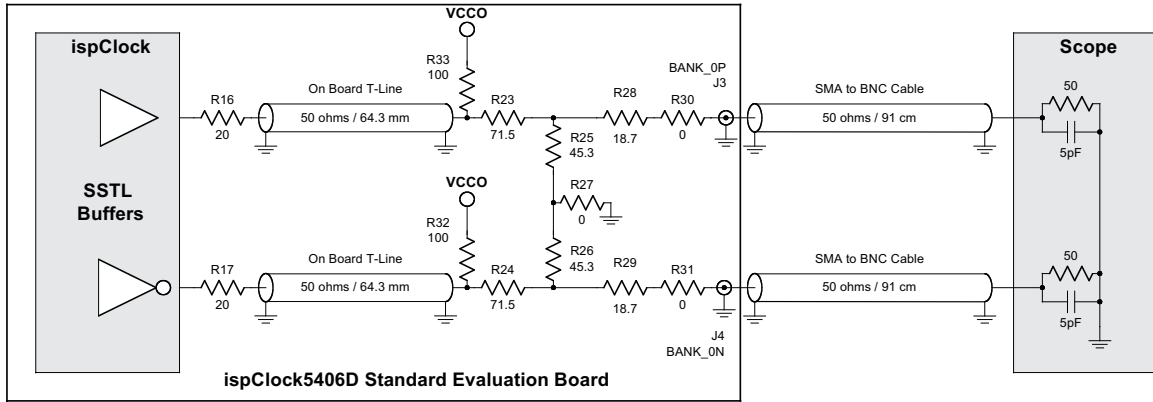
Figure 28. Bank 0 LVPECL with On-Board Termination



**SSTL15/SSTL18**

SSTL15 and SSTL18 both utilize the same termination network, which is 50 ohms at the receiving end of the T-Line to VCCO divided by 2. Figure 29 shows that for the ispClock5406 a source termination of 20 ohms is also recommended and provided by R16 and R17. At the load end of the non-inverting T-Line the output supply VCCO is divided in half using the network of R33 on the top side and R23, R25, R28, and the scope input impedance on the bottom side. The lower half of this divider is a 5:1 sub-divider for viewing the waveform at the scope. The inverting output has a similar circuit to provide a balanced load at the end of the T-Line and to support viewing both sides of the differential signal.

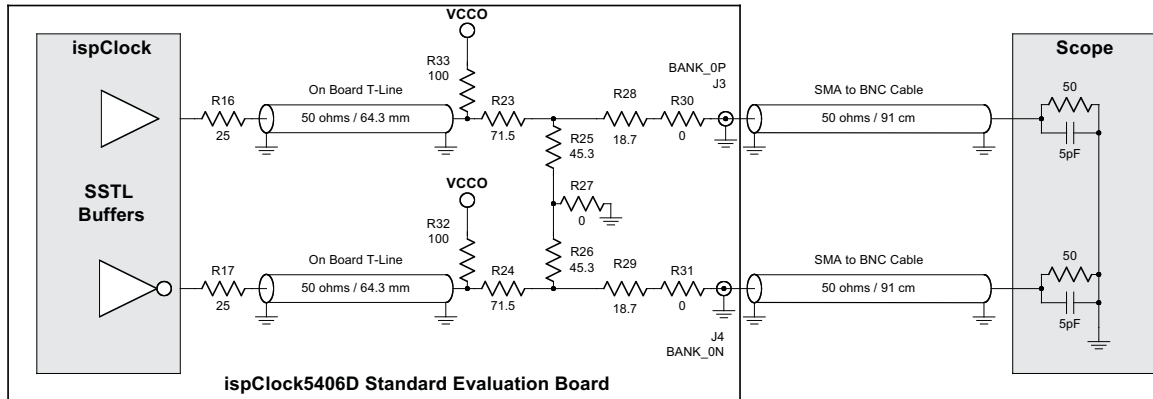
Figure 29. Bank 0 SSTL15/SSTL18 with On Board Termination



**SSTL25**

Figure 30 shows the only difference from SSTL15/SSTL18 and SSTL25 is the source termination R16 and R17 increases from 20 ohms to 25 ohms. The remainder of the circuit is the same as SSTL15/SSTL18, discussed above.

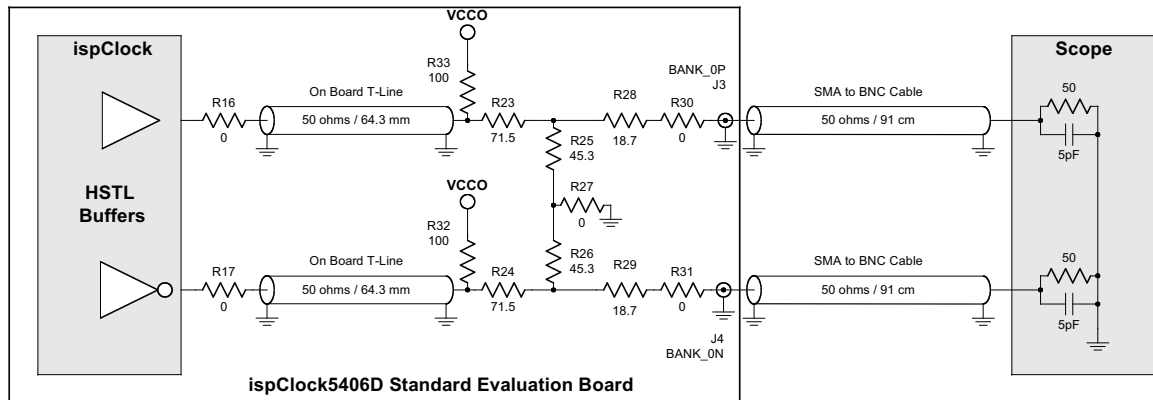
Figure 30. Bank 0 SSTL25 with On-Board Termination



**eHSTL/HSTL**

For eHSTL and HSTL the source termination resistance R16 and R17 drops to zero ohms as shown in Figure 31. The remainder of the termination and sensing circuitry is the same as for SSTL.

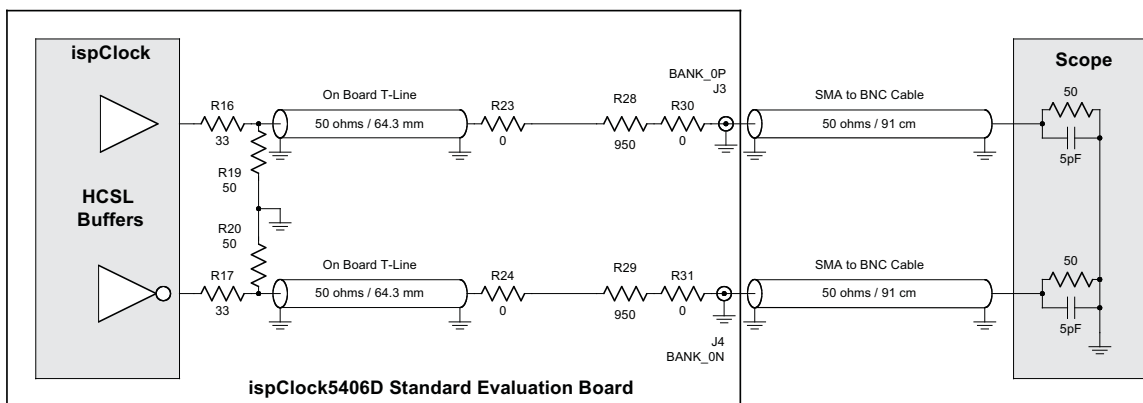
Figure 31. Bank 0 eHSTL/HSTL with On Board Termination



**HCSL**

HCSL termination involves a bias network to ground at the driver and no termination at the end of the T-Line. Figure 32 shows the drivers biased through series resistors R16 and R17 (value of 33 ohms) combined with resistors R19 and R20 (value of 50 ohms). R19 and R20 also provide T-Line source termination. The receiving end of the T-Line does not require any termination. The sense resistors R28 and R29 (value 950 ohms) are not low enough to serve as termination loads but, provide a way to view the waveforms on the scope. The scope input impedance combined with R28 and R29 result in a 20:1 divider of the waveforms at the end of the T-Line.

**Figure 32. Bank 0 HCSL with On-Board Termination**

**Power Supply Connections**

The evaluation board is powered by a 12V to 5V power supply capable of providing one ampere or more. The board can be powered either by a wall adapter with a 2.5mm coaxial power plug at J13 or from a bench supply with banana plugs at J11 and J12. Once onboard, the supply is regulated (U2) to provide the 3.3V supply needed for VCCD, VCCA, and VCCJ.

A second adjustable regulator (U3) provides the VCCO for banks 3 and 5 and it is programmable using the on-board resistors and three of the DIP switches of SW1. To bypass the on-board regulators, zero ohm resistors R106 and R116 can be removed from the board to allow external supplies to power the ispClock5406D.

**Troubleshooting**

**PAC-Designer 5.2: The ispClock5406D PLL Control dialog box of the ispClock5406D I<sup>2</sup>C Utility (ispClock\_5406\_I2C\_UTILITY.exe) appears corrupted and the background color obscures the schematic view.**

To correct the display:

1. Exit the ispClock5406D I<sup>2</sup>C Utility.
2. From Windows, browse to the `\PAC-Designer52\Macro` folder of the PAC-Designer installation directory.
3. Locate the following files:
  - ispClock\_5406\_I2C\_OutGroup\_BI\_Sch.emf
  - ispClock\_5406\_I2C\_OutGroup\_LI\_Sch.emf
  - ispClock\_5406\_I2C\_OutGroup\_UI\_Sch.emf
  - ispClock\_5406\_I2C\_OutGroup\_Sch.emf
  - ispClock\_5406\_I2C\_PLL\_Sch.emf
4. Rename each file so they appear as:
  - ispClock\_5400\_I2C\_OutGroup\_BI\_Sch.emf
  - ispClock\_5400\_I2C\_OutGroup\_LI\_Sch.emf
  - ispClock\_5400\_I2C\_OutGroup\_UI\_Sch.emf

```
ispClock_5400_I2C_OutGroup_Sch.emf
ispClock_5400_I2C_PLL_Sch.emf
```

5. Rerun the ispClock5406D I<sup>2</sup>C Utility.

## Environmental Requirements

The evaluation board must be stored between -40°C and 100°C. The recommended operating temperature is between 0°C and 55°C.

The evaluation board can be damaged without proper anti-static handling.

## Pin Information and Bank Summary

This section describes the pin information for the ispClock5406D device and board connections.

**Table 2. Pin Information and Bank Summary**

Pin #	Pin Function	Bank	Board Connection
1	GNDO_5	5	GND
2	BANK_5P	5	BANK_5P
3	BANK_5N	5	BANK_5N
4	VCCO_5	5	VCCO_5
5	VCCO_4	4	VCCO_4
6	BANK_4P	4	BANK_4P
7	BANK_4N	4	BANK_4N
8	GNDO_4	4	GND
9	GNDO_3	3	GND
10	BANK_3P	3	BANK_3P
11	BANK_3N	3	BANK_3N
12	VCCO_3	3	VCCO_3
13	GNDA		GND
14	REFAVTT		GND
15	REFAN		REFA_N
16	REFAP		REFA_P
17	REFBVTT		REFB_VTT
18	REFBN		REFB_N
19	REFBP		REFB_P
20	FBKVTT		FBK_VTT
21	FBKN		FBK_N
22	FBKP		FBK_P
23	VCCA		VCCA
24	RREF		
25	VCCO_2	2	VCCO_2
26	BANK_2N	2	BANK_2N
27	BANK_2P	2	BANK_2P
28	GNDO_2	2	GND
29	GNDO_1	1	GND
30	BANK_1N	1	
31	BANK_1P	1	
32	VCCO_1	1	
33	VCCO_0	0	VCCO_0

**Table 2. Pin Information and Bank Summary (Continued)**

Pin #	Pin Function	Bank	Board Connection
34	BANK_0N	0	BANK_0N
35	BANK_0P	0	BANK_0P
36	GNDO_0	0	GND
37	VCCJ		VCC
38	TDO		TDO
39	TMS		TMS
40	TCK		TCK
41	TDI		TDI
42	RESETb		RESETb
43	GNDD		GND
44	VCCD		VCC
45	USER3		USER3
46	USER2		SCL
47	USER1		SCA
48	USER0		USER0

Note: [ispClock5400D Family Data Sheet](#) version 01.2, November 2009.

## Glossary

**I<sup>2</sup>C**: Inter-Integrated Circuit.

**LED**: Light-Emitting Diode.

**PCB**: Printed Circuit Board.

**RoHS**: Restriction of Hazardous Substances Directive.


**PLL**: Phase Locked Loop.

## References

The following documentation is recommended for evaluation and demonstrations:

- AN6080: [Using a Low-Cost CMOS Oscillator as a Reference Clock for SERDES Applications](#)
- AN6081: [Driving SERDES Devices with the ispClock5400D Differential Clock Buffer](#)
- EB44: [LatticeECP3 Serial Protocol Board User's Guide](#)
- EB39: [LatticeECP3 Video Protocol Board User's Guide](#)

## Ordering Information

Description	Ordering Part Number	China RoHS Environment-Friendly Use Period (EFUP)
ispClock5400D Evaluation Board	PACCLK5406D-S-EVN	

---

## Technical Support Assistance

Hotline: 1-800-LATTICE (North America)  
+1-503-268-8001 (Outside North America)  
e-mail: [techsupport@latticesemi.com](mailto:techsupport@latticesemi.com)  
Internet: [www.latticesemi.com](http://www.latticesemi.com)

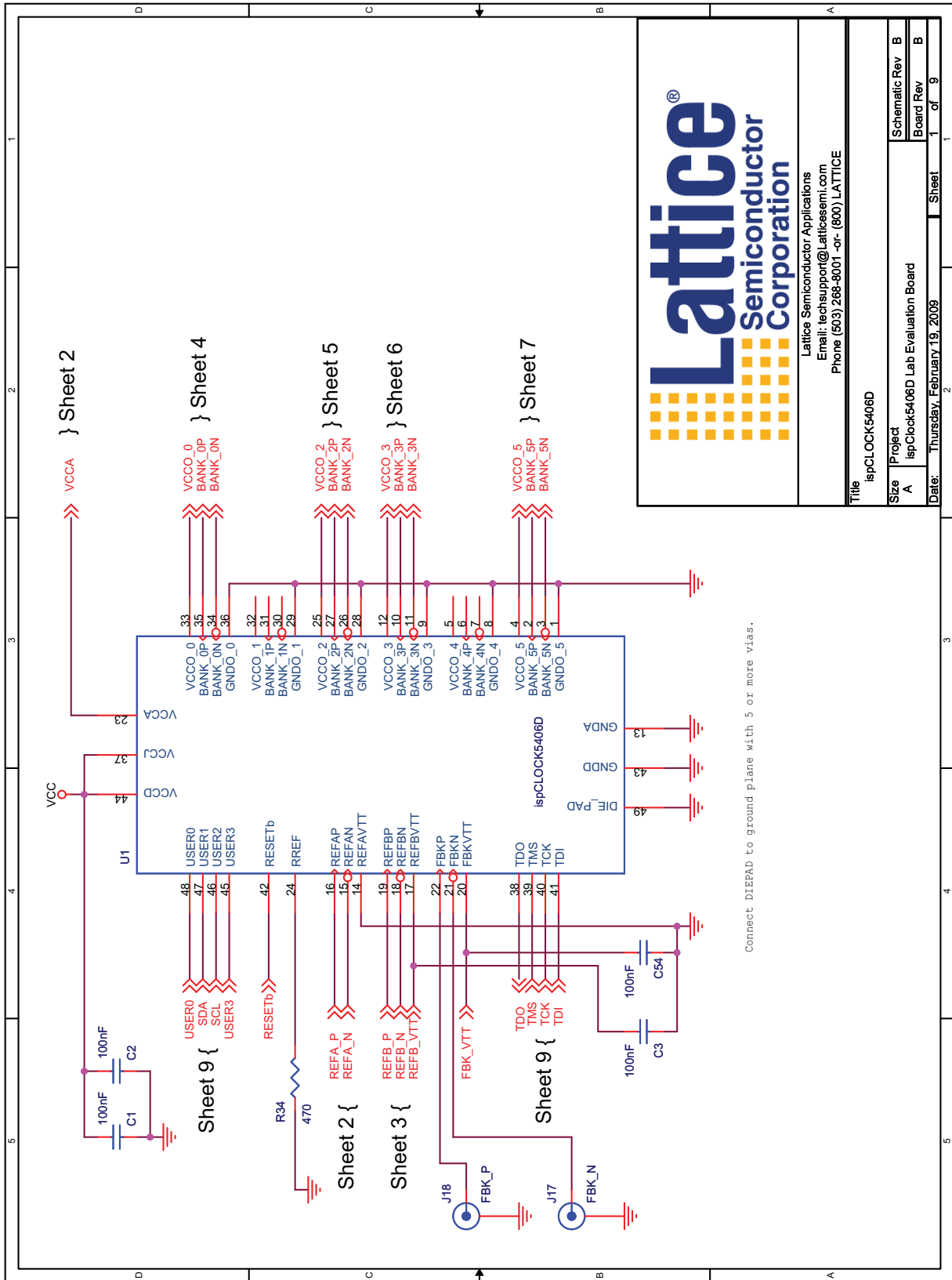
## Revision History

Date	Version	Change Summary
December 2009	01.0	Initial release.
December 2009	01.1	Added Troubleshooting section.
July 2010	01.2	Updated part numbers for the LatticeECP3 Serial Protocol Board and LatticeECP3 Video Protocol Board in the Hardware Requirements section.

© 2010 Lattice Semiconductor Corp. All Lattice trademarks, registered trademarks, patents, and disclaimers are as listed at [www.latticesemi.com/legal](http://www.latticesemi.com/legal). All other brand or product names are trademarks or registered trademarks of their respective holders. The specifications and information herein are subject to change without notice.

# Appendix A. Schematic

Figure 33. ispClock5406D

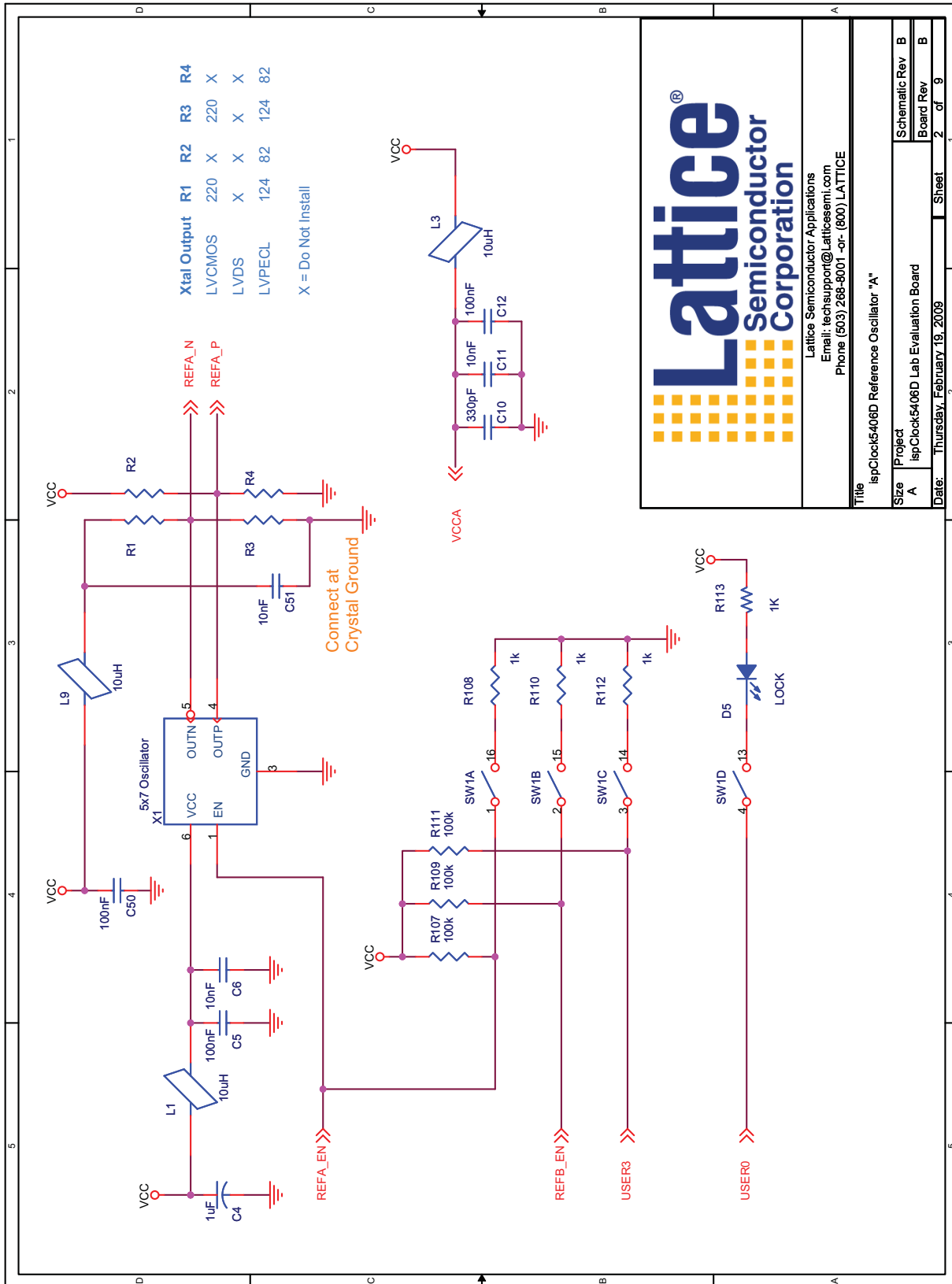


Lattice Semiconductor Applications  
Email: techsupport@latticesemi.com  
Phone (503) 268-8001 -or- (800) LATTICE

Title: ispClock5406D	
Size: A	Project: ispClock5406D Lab Evaluation Board
Date: Thursday, February 19, 2009	Schematic Rev: B
Sheet: 1	Board Rev: B
Sheet 1 of 9	



Figure 34. ispClock5406D Reference Oscillator "A"



Lattice Semiconductor Applications  
Email: techsupport@latticesemi.com  
Phone (503) 268-8001 -or- (800) LATTICE

Title		ispClock5406D Reference Oscillator "A"	
Size	Project	Schematic Rev	B
A	ispClock5406D Lab Evaluation Board	Board Rev	B
Date:	Thursday, February 19, 2009	Sheet	2 of 9

Figure 35. ispClock5406D Reference Oscillator "B"

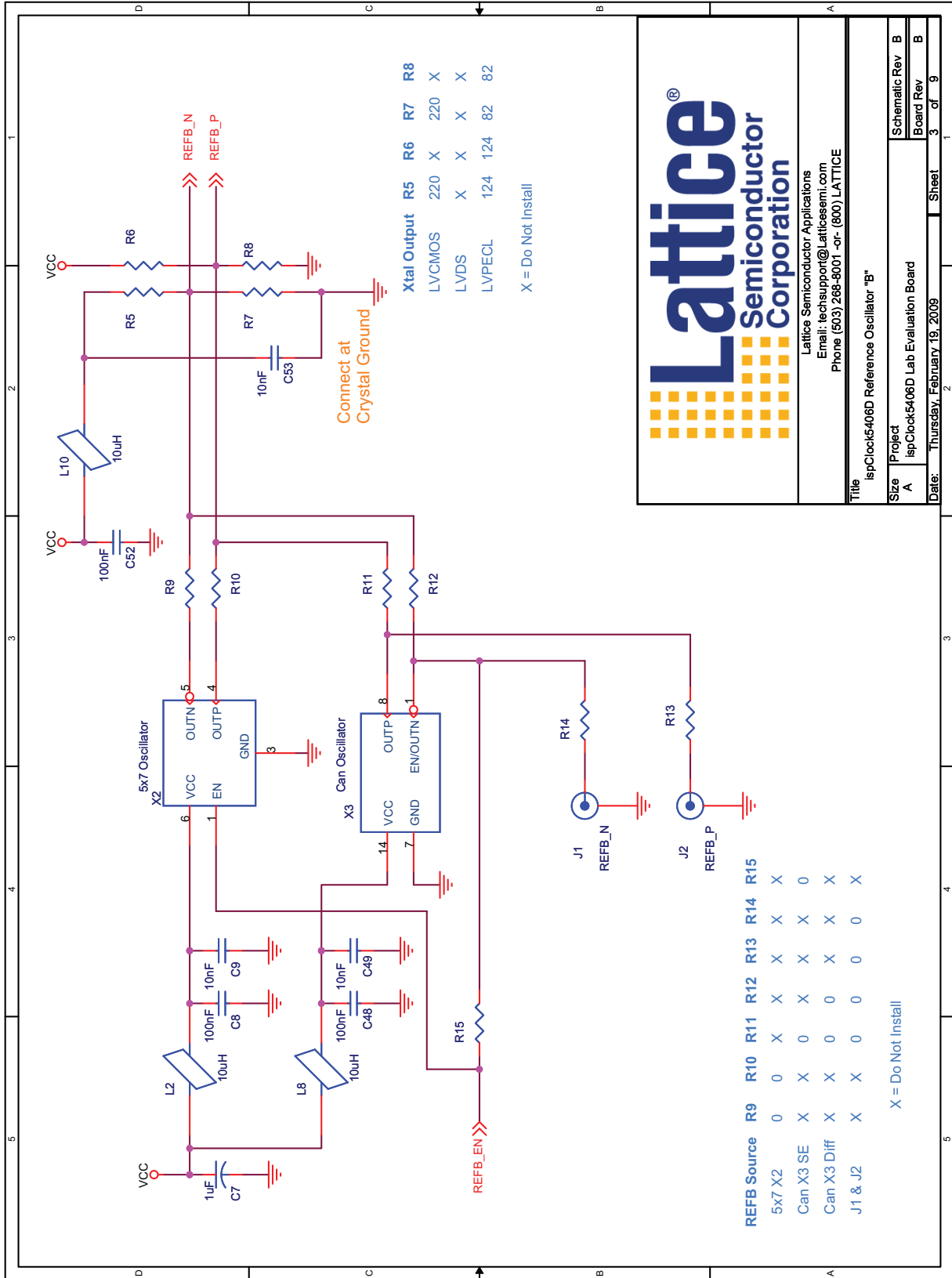
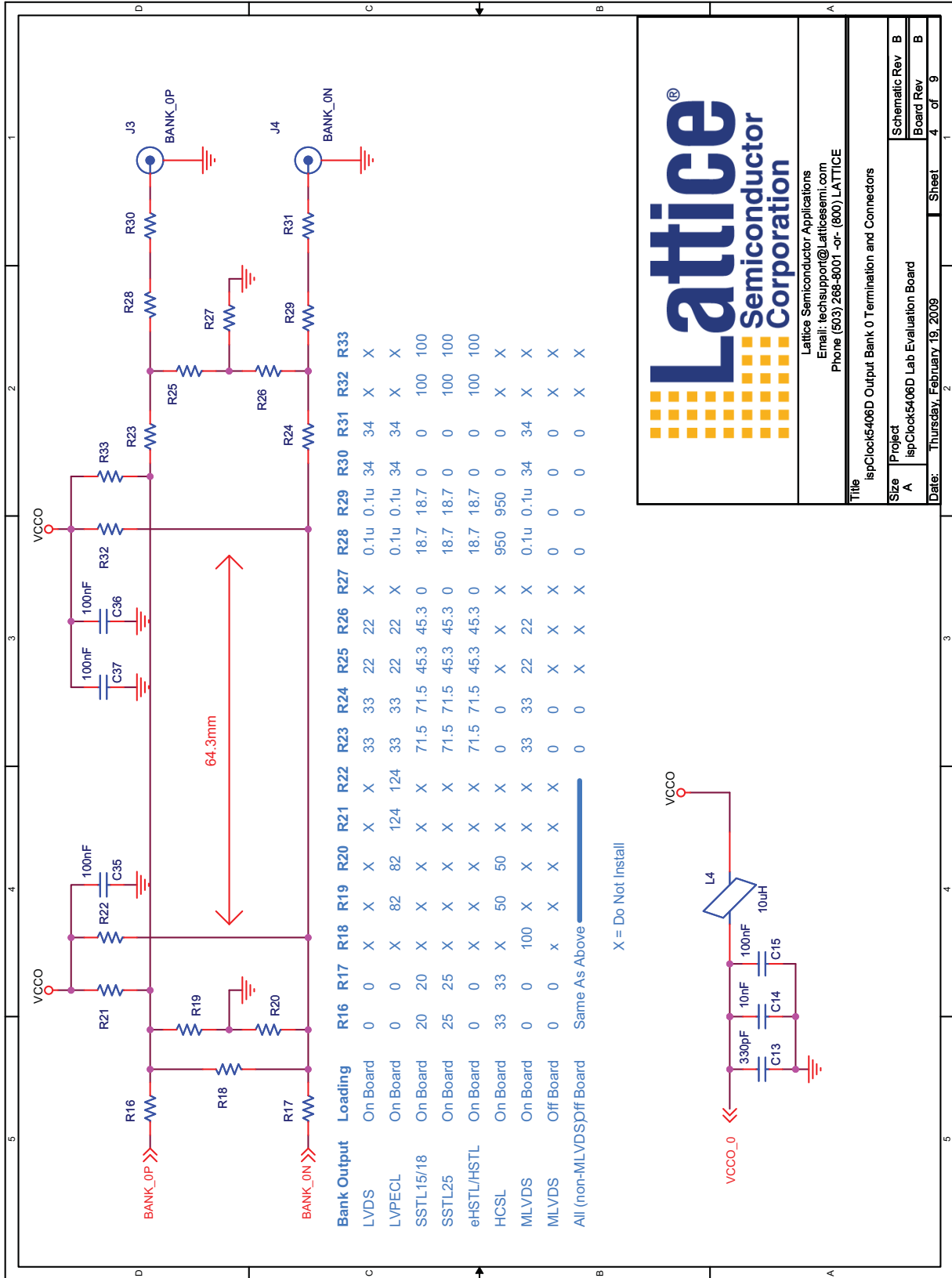


Figure 36. ispClock5406D Output Bank 0 Termination and Connectors

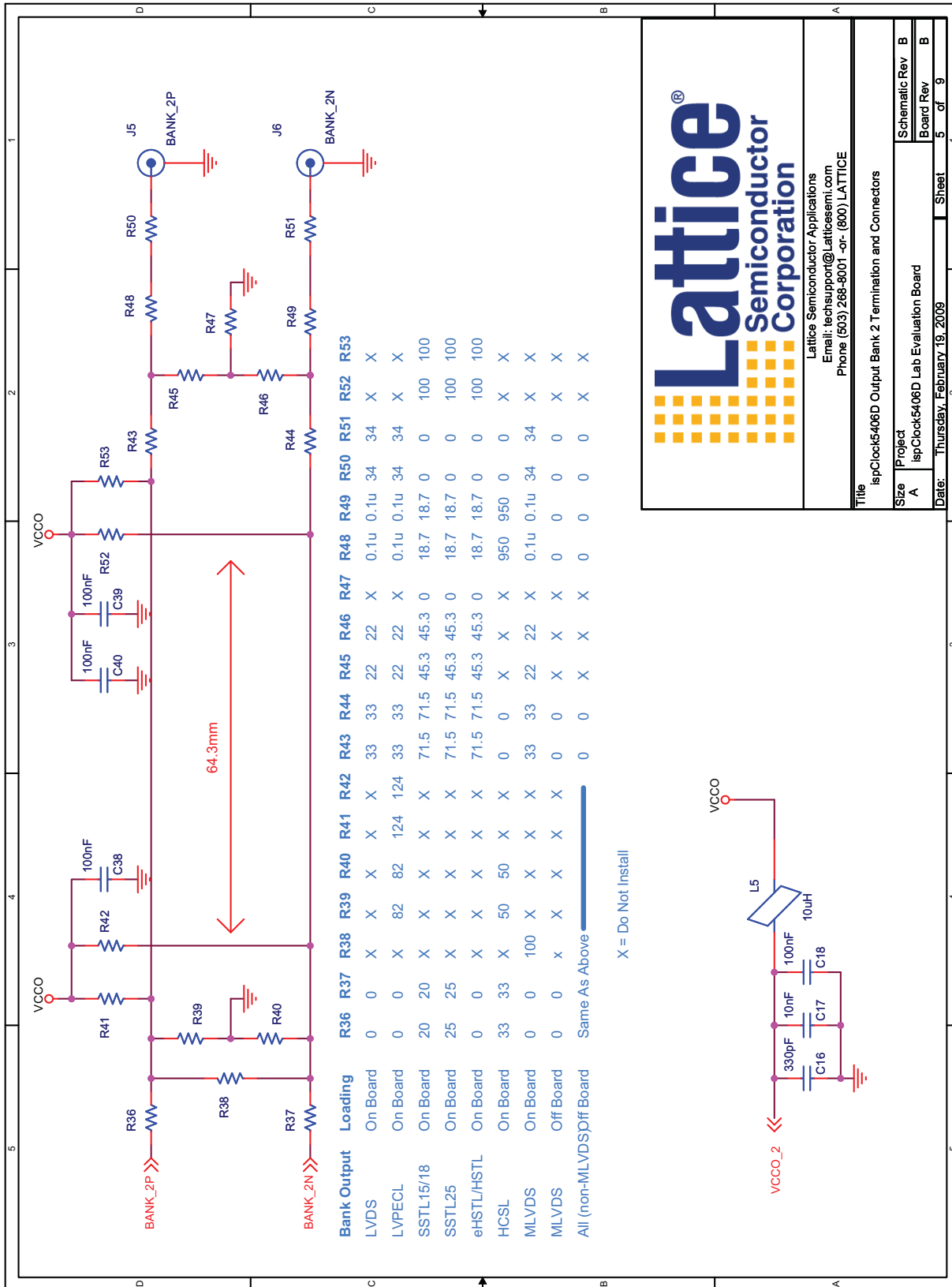


Lattice Semiconductor Applications  
Email: techsupport@latticesemi.com  
Phone (503) 268-8001 -or- (800) LATTICE

Title: ispClock5406D Output Bank 0 Termination and Connectors

Size A	Project: ispClock5406D Lab Evaluation Board	Schematic Rev B
Date: Thursday, February 19, 2009	Sheet 4 of 9	Board Rev B

Figure 37. ispClock5406D Output Bank 2 Termination and Connectors

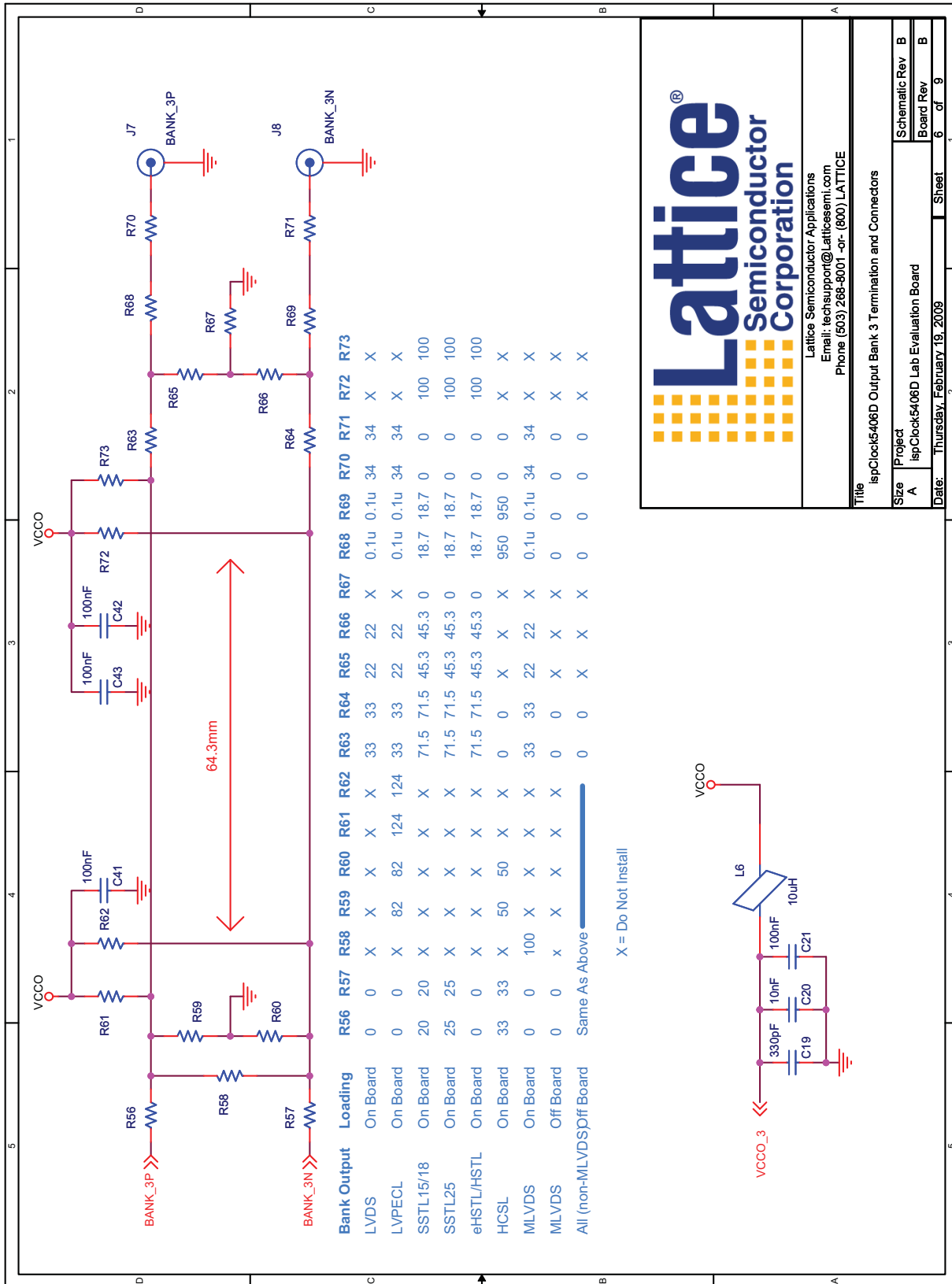


Lattice Semiconductor Applications  
Email: techsupport@latticesemi.com  
Phone (503) 268-8001 -or- (800) LATTICE

Title: ispClock5406D Output Bank 2 Termination and Connectors

Size A	Project: ispClock5406D Lab Evaluation Board	Schematic Rev B
Date: Thursday, February 19, 2009	Sheet 5	of 9

Figure 38. ispClock5406D Output Bank 3 Termination and Connectors

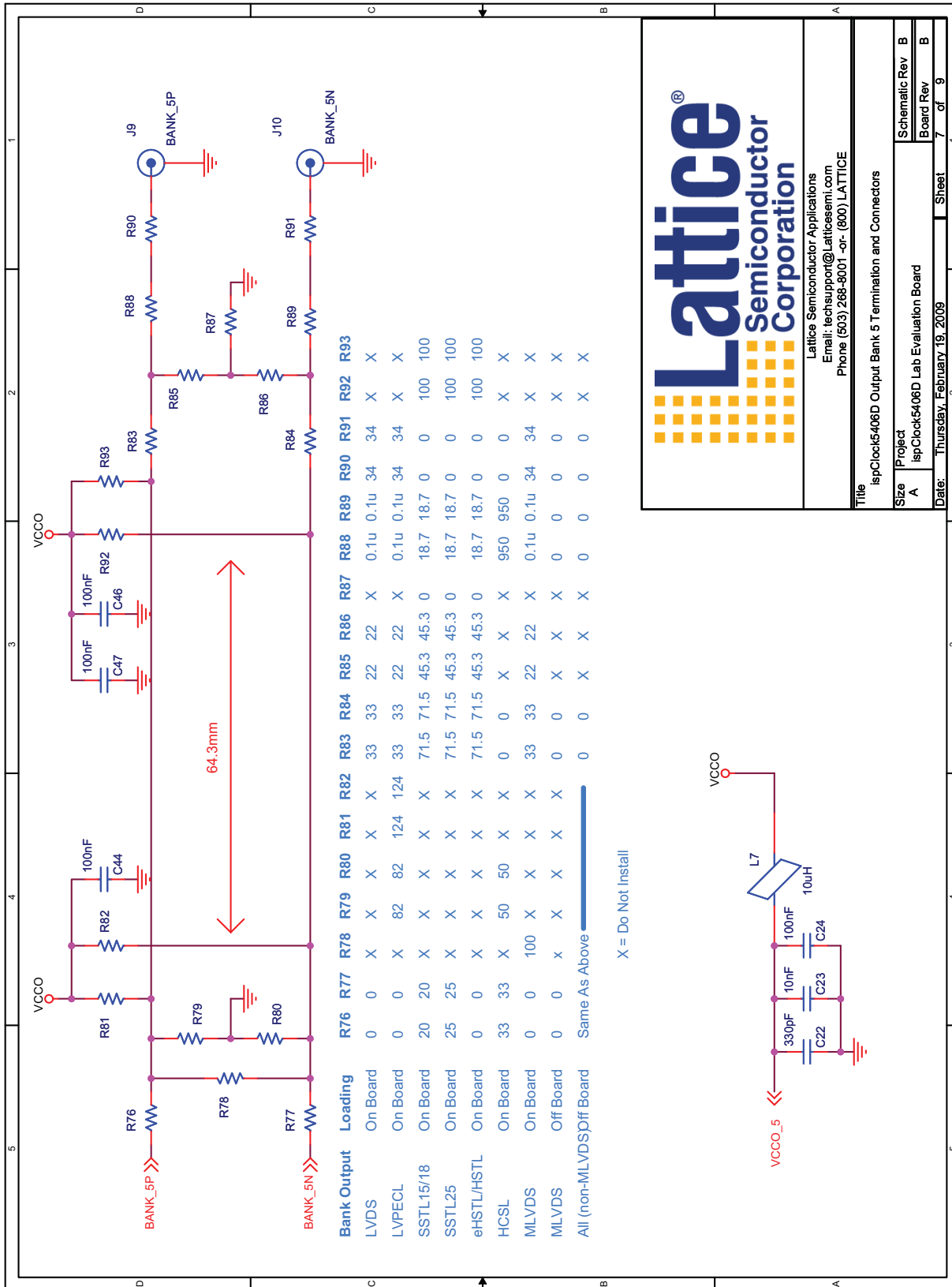


Lattice Semiconductor Applications  
Email: techsupport@latticesemi.com  
Phone (503) 268-8001 -or- (800) LATTICE

Title: ispClock5406D Output Bank 3 Termination and Connectors

Size A	Project: ispClock5406D Lab Evaluation Board	Schematic Rev B
Date: Thursday, February 19, 2009	Sheet 6	of 9

Figure 39. ispClock5406D Output Bank 5 Termination and Connectors

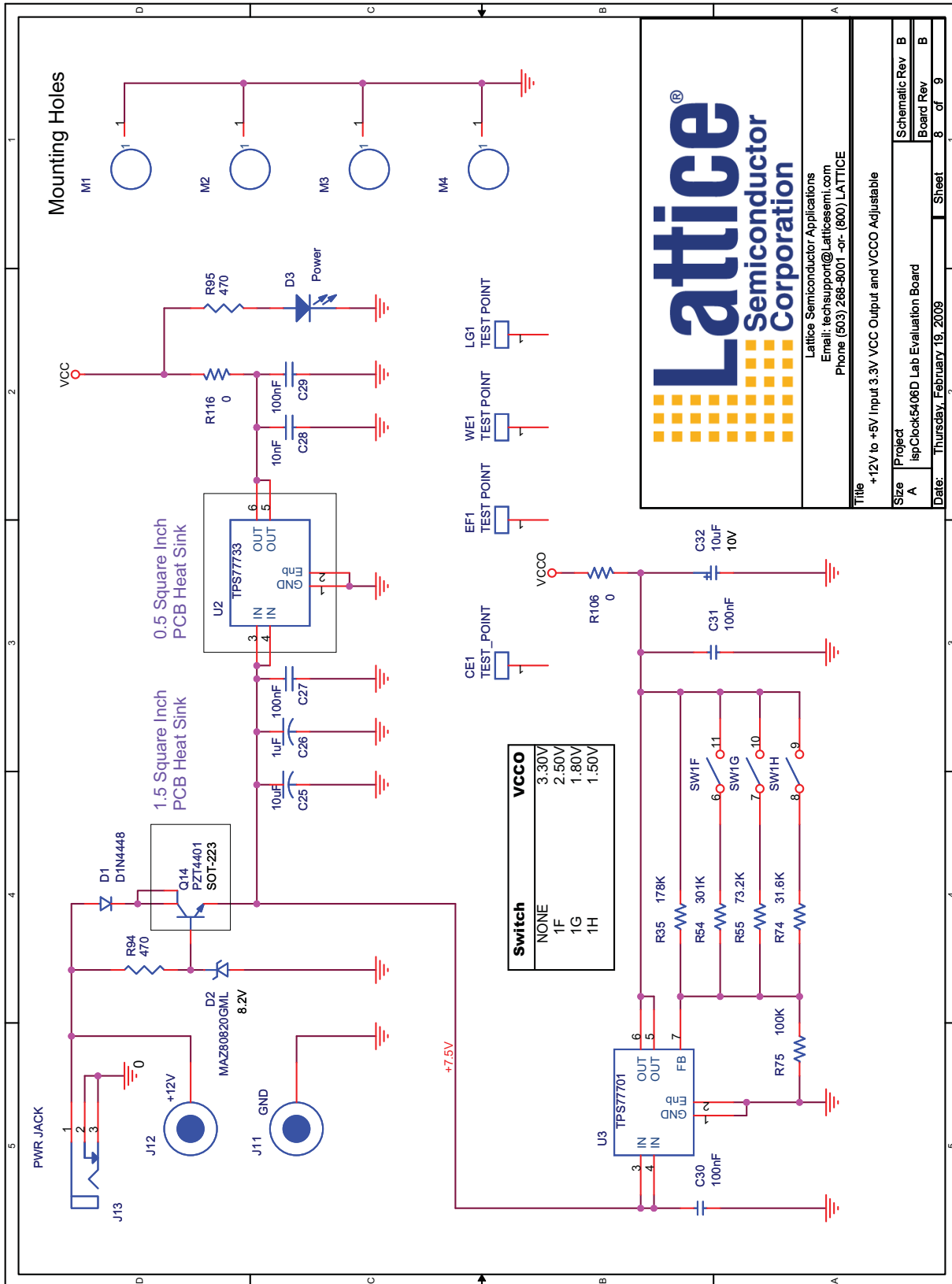


Lattice Semiconductor Applications  
Email: techsupport@latticesemi.com  
Phone (503) 268-8001 -or- (800) LATTICE

Title: ispClock5406D Output Bank 5 Termination and Connectors

Size	Project	Schematic Rev
A	ispClock5406D Lab Evaluation Board	B
Date	Thursday, February 19, 2009	Board Rev
		7 of 9
		Sheet
		2

Figure 40. +12V to +5V Input 3.3V VCC Output and VCCO Adjustable

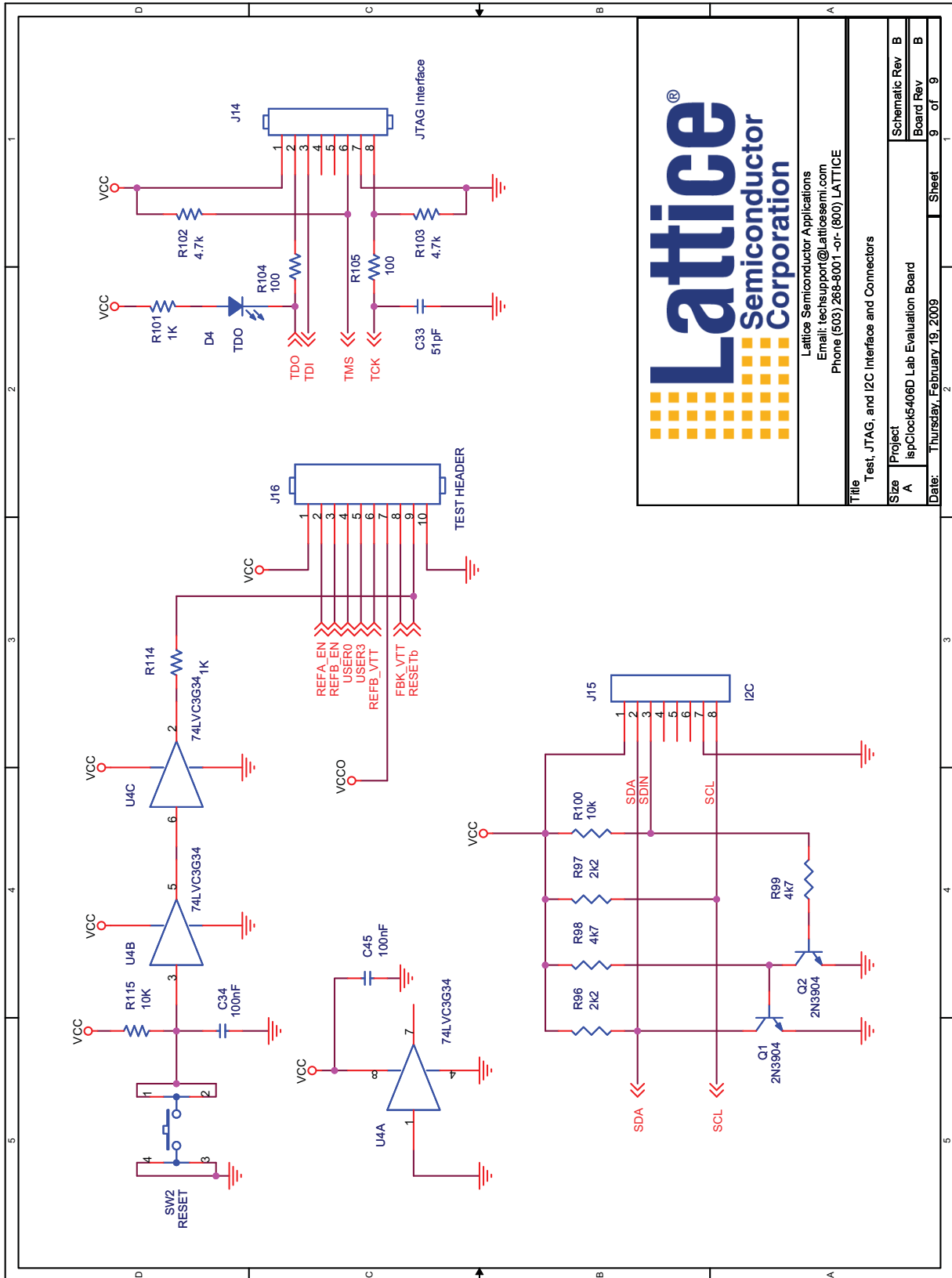


Lattice Semiconductor Applications  
Email: techsupport@latticesemi.com  
Phone (503) 268-8001 -or- (800) LATTICE

Title +12V to +5V Input 3.3V VCC Output and VCCO Adjustable

Project	ispClock5400D Lab Evaluation Board	Schematic Rev	B
Size	A	Board Rev	B
Date	Thursday, February 19, 2009	Sheet	8 of 9

Figure 41. Test, JTAG and I<sup>2</sup>C Interface and Connectors



Lattice Semiconductor Applications  
Email: techsupport@Latticesemi.com  
Phone (503) 268-8001 -or- (800) LATTICE

Title		Test, JTAG, and I2C Interface and Connectors	
Size	Project	Schematic Rev	B
A	ispClock5400D Lab Evaluation Board	Board Rev	B
Date:	Thursday, February 19, 2009	Sheet	9 of 9



**Appendix B. Bill of Materials****Table 3. Bill of Materials**

Item	Quantity	Reference	Part	Part Number
1	24	C13, C12, C15, C18, C21, C24, C26, C30-31, C35-45, C46, C47	0.1uF SMD 0805 ceramic capacitor	C0805C104K5RACTU
2	2	C4, C7	1.0 uF SMD 0805	ECJ-2YB1A105K
3	5	C6, C9, C27, C34, C49	0.01uF SMD 0603 ceramic capacitor	ECJ-1VB1C103K
4	7	C5, C8, C48, C50-53	0.1uF SMD 0603 ceramic capacitor	ECJ-1VB1C104K
5	4	C13, C16, C19, C22	330pF SMD 0805 ceramic capacitor	C0805C331K5RACTU
6	7	C10, C11, C14, C17, C20, C23, C28	0.01uF SMD 0805 ceramic capacitor	C0805C103K5RACTU
7	3	C25, C29, C32	10uF 10V SMD tantalum capacitor	TPSA106K010R0900
8	1	D1	Schottky Diode SOD-123FL	MBR120VLSFT1G
9	1	D2	Zener Diode 8.2V SMini2-F1	MAZ8082GML
10	1	D5	Blue LED SMD 1206	LTST-C150TBKT
11	1	D4	Red LED SMD 1206	LTST-C150KRKT
12	1	D3	Green LED SMD 1206	LTST-C150KGKT
13	1	J13	2.5mm DC power connector	PJ-102B
14	1	J12	Banana Jack, red	SPC15363
15	1	J11	Banana Jack, black	SPC15354
16	2	J14,J15	8-position pin header	22-28-4084
17	1	J16	10-position pin header	22-28-4104
18	8	J1-6, J17,J18	SMA Connector PCB End Launch	142-0701-801
19	8	L1-8	300 ohm Signal Ferrite SMD 0805	LI0805G301R-10
20	2	L9,L10	60 ohm Ferrite Bead SMD 0603	HI0603P600R-10
21	1	X1	100 MHz Clock Source	ECS-3953M-1000BN
22	1	X2	156.25 MHz Clock Source	CWX823-156.25M
23	4	X3	Pin Receptical	1407-0-15-01-11-27-10-0
24	1	R35	178k 1% resistor SMD 0805	RC0805FR-07178KL
25	1	R54	301k 1% resistor SMD 0805	RC0805FR-07301KL
26	1	R55	73.2k 1% resistor SMD 0805	RC0805FR-0773K2L
27	1	R74	31.6k 1% resistor SMD 0805	RC0805FR-0731K6L
28	4	R75, , R107, R109, R111	100k 1% resistor SMD 0805	RC0805FR-07100KL
29	2	R100, R115	10k 5% resistor SMD 0805	RC0805JR-0710KL
30	2	R96, R97	2.2k 5% resistor SMD 0805	RC0805JR-072K2L
31	6	R101, R108, R110, R112-114	1k 5% resistor SMD 0805	RC0805JR-071KL
32	4	R98, R99, R102, R103	4.7k 5% resistor SMD 0805	RC0805JR-074K7L
33	3	R34, R94, R95	470 ohms SMD 0805	RC0805JR-07470RL
34	2	R1, R3	220 ohms SMD 0805	RC0805JR-07220RL
35	2	R104, R103	100 ohms SMD 0805	RC0805JR-07100RL
36	34	R16, R17, R23, R24, R28, R29, R30, R31, R36, R37, R43, R44, R48, R49, R50, R51, R56, R57, R63, R64, R68, R69, R70, R71, R76, R77, R83, R84, R88, R89, R90, R91, R106, R116	Zero ohm jumper 5% SMD 0603	RC0603JR-070RL
37	1	SW1	Slide Sw 8POS SMD	SDA08H1SBD
38	1	SW2	Momentary switch	EVQ-QXT03W

**Table 3. Bill of Materials (Continued)**

Item	Quantity	Reference	Part	Part Number
39	2	Q1, Q2	NPN Trans. SOT-23	MMBT2369A
40	1	Q3	NPN Trans. SOT-223	FZT649TA
41	1	U1	ispPAC-CLK5406D	
42	1	U2	3.3V fixed regulator SMD 8SOIC	TPS77733D
43	1	U3	Adj LDO Regulator SMD 8SOIC	TPS77701D
44	1	U4	74LVC3G34 Triple Buffer 8-SSOP	SN74LVC3G34DCTR
45	4	N/A	3M Rubber Bump-ons (P416)	SJ-5003
46	1	N/A	3M Static Bag 5X8 50F7150	
47	2	N/A	Extra Nut for J11 & J12 1/4-32 THR	1448