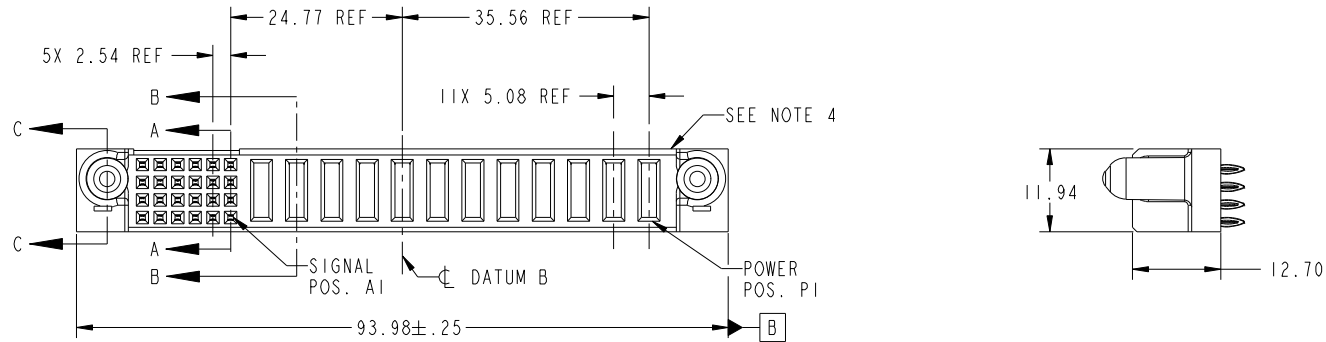


Tous droits strictement reserves. Reproduction ou communication a des tiers interdite sous quelque forme que ce soit sans autorisation écrite du propriétaire. Propriete de c FCI. Droits de reproduction FCI.



All rights strictly reserved. Reproduction or issue to third parties in any form whatever is not permitted without written authority from the proprietor. Property of FCI. Copyright FCI.

PRODUCT NO.	ROWS	SIGNAL					POWER										E1					
		E2	6	5	4	3	2	1	P12	P11	P10	P9	P8	P7	P6	P5		P4	P3	P2	P1	
51940-220- NOTE 3	D C B A		F	F	F	F	F	F	F	F	F	F	F	F	F	F	F	F	F	F	F	
									X	PC	PC	PC	PC	PC	X	PC	PC	PC	PC	PC	PC	



CODE	DIM "M" MATING LENGTH	CONTACT TYPE
F	[N/A]	SIGNAL
PC	[1.07]	POWER
X	OMITTED	OMITTED

mat'l code				SEE NOTE 2		tolerances unless otherwise specified		CUSTOMER		FCI	
ltr	ecn no.	dr	date	linear	0.X ± 0.3	projection		COPY		www.fciconnect.com	
A	DG07-0085	JMG	03/15/07	angles	0.XX ± 0.13	MIM		title		12P + 24S	
				dr	0.XXX ± 0.051	scale		product family		PwrBlade	
				enr	0° ± 2°	1:1		size		213	
				chr	JM GUO 03/15/07			dwg no		51940-220	
				appd	RYAN YUAN 03/15/07			sheet		1 of 4	
					GARY HSIEH 03/15/07			code		213	
					JOSEPH HSIA 03/15/07			cage code		22526	
sheet index	revision sheet	A	A	A	A						
		1	2	3	4						

1 | 2

Pro/E

3 |

cage code 22526

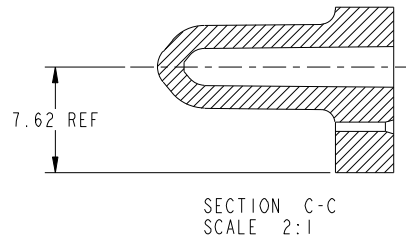
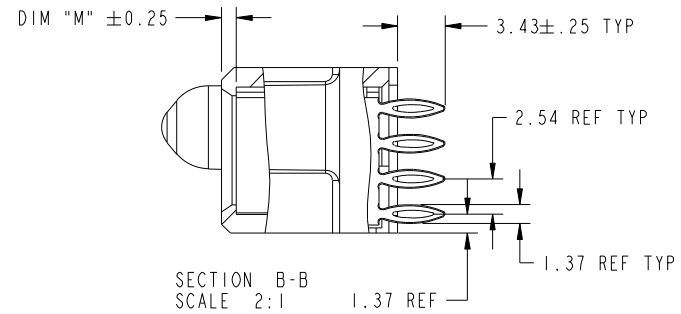
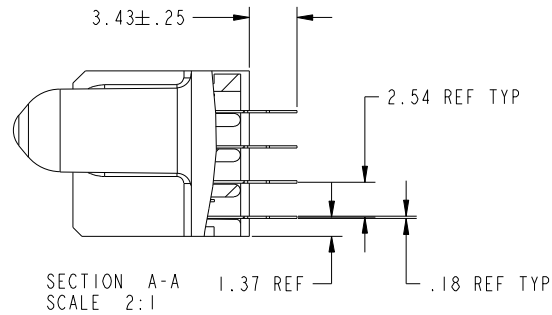
4

Tous droits strictement reserves. Reproduction ou communication a des tiers interdite sous quelque forme que ce soit sans autorisation écrite du propriétaire. Propriete de c FCI. Droits de reproduction FCI.



All rights strictly reserved. Reproduction or issue to third parties in any form whatever is not permitted without written authority from the proprietor. Property of FCI. Copyright FCI.

PRODUCT NUMBER
51940-220--
NOTE 3



mat'l code				SEE NOTE 2		tolerances unless otherwise specified		CUSTOMER		FCI	
ltr	ecr no.	dr	date	linear	0.X ± 0.3	COPY		www.fciconnect.com		title	
A					0.XX ± 0.13	projection		12P + 24S		VERTICAL PRESS-FIT RECEIPT	
				angles	0.XXX ± 0.051	MIM		product family		code	
				dr	0° ± 2°	scale		PwrBlade		213	
				enr	JM GUO 03/15/07	1:1		size		sheet	
				chr	RYAN YUAN 03/15/07			dwg no		2 of 4	
				appd	GARY HSIEH 03/15/07			A		51940-220	
					JOSEPH HSIA 03/15/07						
sheet index		revision sheet									

cage code 22526

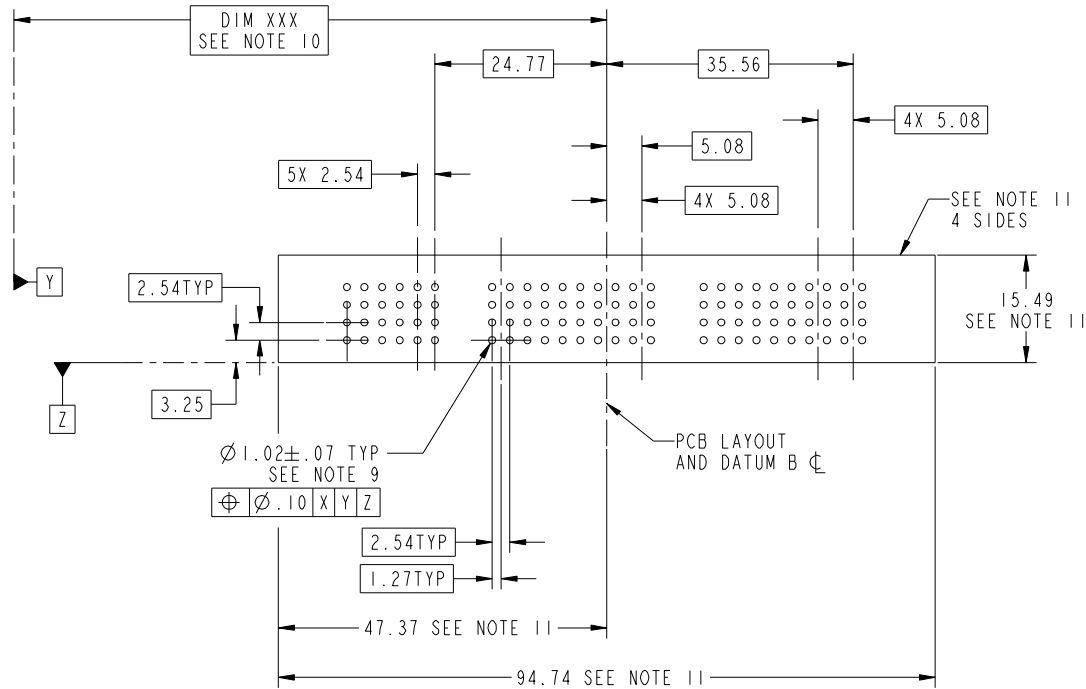
Pro/E

Tous droits strictement reserves. Reproduction ou communication a des tiers interdite sous quelque forme que ce soit sans autorisation écrite du propriétaire. Propriete de c FCI. Droits de reproduction FCI.



All rights strictly reserved. Reproduction or issue to third parties in any form whatever is not permitted without written authority from the proprietor. Property of FCI. Copyright FCI.

PRODUCT NUMBER
51940-220--
NOTE 3



mat'l code		SEE NOTE 2	tolerances unless otherwise specified		CUSTOMER		FCI	
ltr	ecn no.	dr	date	linear	0.X ±0.3	COPY		www.fciconnect.com
A				linear	0.XX ±0.13	projection		title 12P + 24S
				angles	0.XXX ±0.051			VERTICAL PRESS-FIT RECEPT
				dr	0° ±2°	MIM		product family PwrBlade code 213
				enrg	JM GUO 03/15/07	scale		size dwg no 51940-220 sheet 3 of 4
				chr	RYAN YUAN 03/15/07	1:1		
				appd	GARY HSIEH 03/15/07			
					JOSEPH HSIA 03/15/07			
sheet index	revision sheet							

cage code 22526

Pro/E

Tous droits strictement reserves. Reproduction ou communication a des tiers interdite sous quelque forme que ce soit sans autorisation écrite du propriétaire. Propriete de c FCI. Droits de reproduction FCI.



All rights strictly reserved. Reproduction or issue to third parties in any form whatever is not permitted without written authority from the proprietor. Property of FCI. Copyright FCI.

PRODUCT NUMBER
51940-220--
NOTE 3

NOTES:

1. DIMENSIONS AND TOLERANCES ARE IN ACCORDANCE WITH ASME Y14.5M, 1994 UNLESS OTHERWISE SPECIFIED.

CONNECTOR NOTES:

- 2 HOUSING MATERIAL: UL 94 V-0 GLASS FILLED
HIGH-TEMP THERMOPLASTIC
POWER CONTACT MATERIAL: COPPER ALLOY
SIGNAL PIN MATERIAL: COPPER ALLOY
- 3. SEE PRINT 10064183 FOR PLATING SPEC. OF 51940-062;51940-062LF
- 4 MANUFACTURER'S NAME, P/N, AND DATE CODE TO APPEAR ON THIS SURFACE.
- 5. PRODUCT SPECIFICATION GS-12-149.
APPLICATION SPECIFICATION BUS-20-067.
- 6. PACKAGED IN TRAYS.

PCB NOTES:

- 7. ALL HOLE DIAMETERS ARE FINISHED HOLE SIZE.
- 8 MOUNTING HOLES, WHERE APPLICABLE, ARE UNPLATED.
- 9 $\varnothing 1.151 \pm 0.025$ DRILLED HOLES PLATED WITH
0.008 MIN SnPb OR Sn OVER 0.03
TO 0.08 Cu PLATING TO ACHIEVE
 $\varnothing 1.02 \pm .07$ HOLE.
- 10 "DIM XXX" TO BE DETERMINED BY THE CUSTOMER.
- 11 CONNECTOR KEEP-OUT ZONE.

mat'l code		SEE NOTE 2		tolerances unless otherwise specified		CUSTOMER		FCI		www.fciconnect.com	
ltr	ecr no.	dr	date	linear	0.X ± 0.3	COPY		projection	title		
A					0.XX ± 0.13	MIM			12P + 24S		
				angles	0.XXX ± 0.051	← MIM →			VERTICAL PRESS-FIT RECEIPT		
				dr	0° ± 2°	scale		product family		PwrBlade	code
				enr	JM GUO 03/15/07	1:1		size		dwg no	213
				chr	RYAN YUAN 03/15/07	A		51940-220		sheet	
				appd	GARY HSIEH 03/15/07					4 of 4	
					JOSEPH HSIA 03/15/07						
sheet index	revision sheet										

cage code 22526

Pro/E