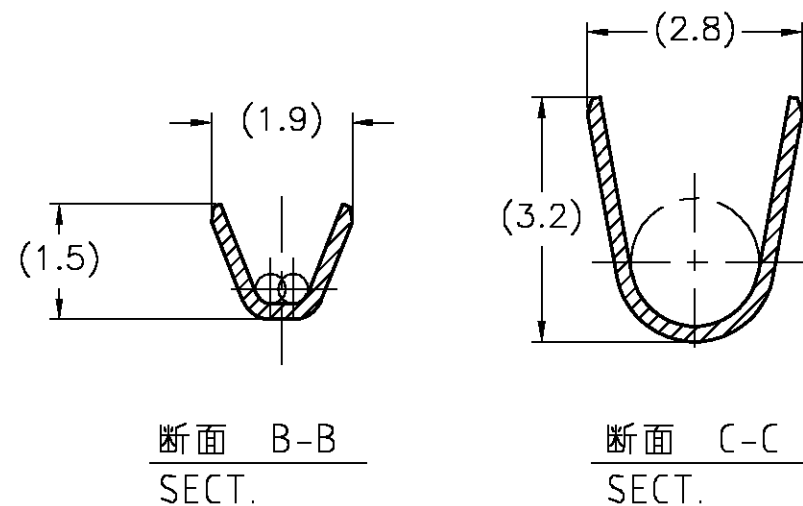
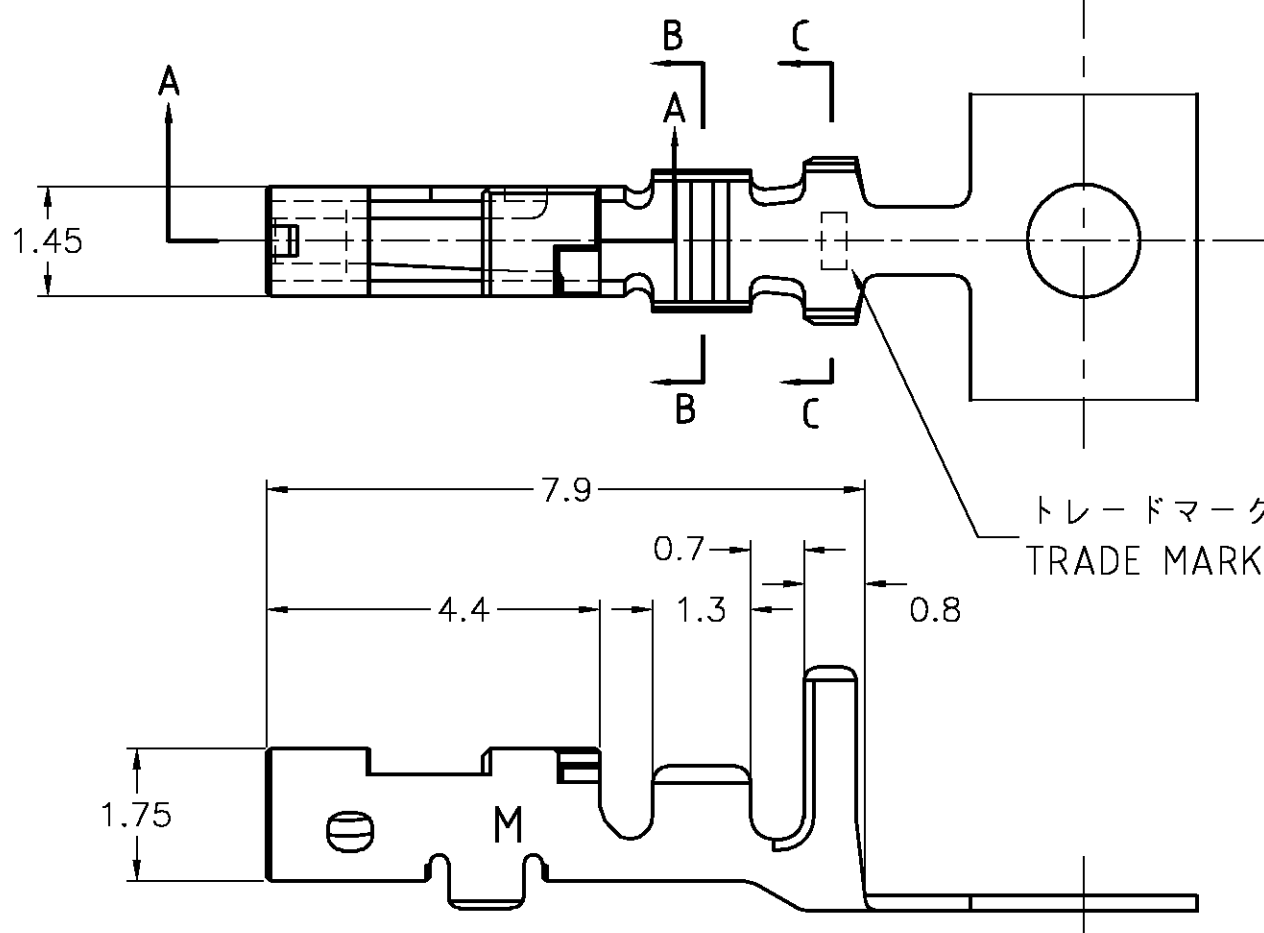
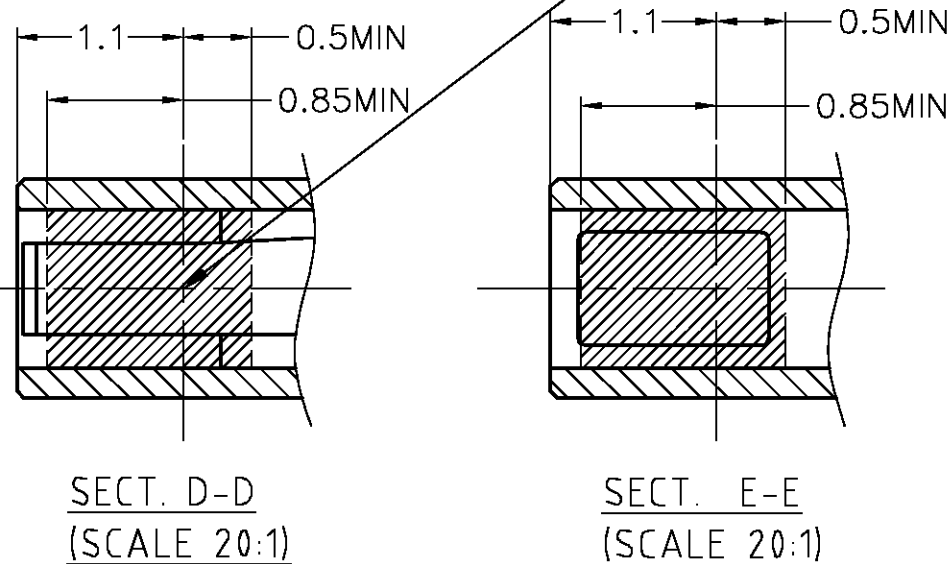
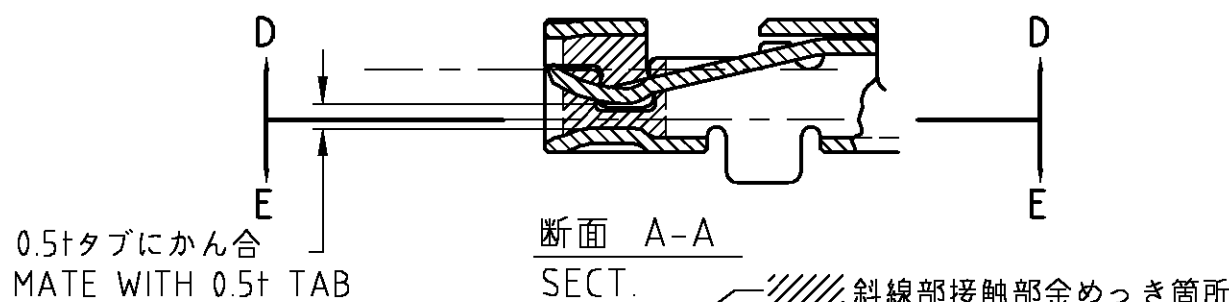
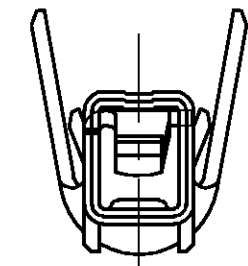


THIS DRAWING IS UNPUBLISHED. RELEASED FOR PUBLICATION
 © COPYRIGHT BY TYCO ELECTRONICS CORPORATION. ALL RIGHTS RESERVED.

LOC	DIST	REVISIONS					
		P	LTR	DESCRIPTION	DATE	DWN	APVD
J	—	B		REVISED ECR-06-012985	30MAY'06	J.S	N.Y
		C		REVISED ECR-08-019044	30JUL'08	J.S	S.M



注；
 1. 適用プラグ・ハウジング型番 X-1747066-2~8
 NOTES;
 1. APPLICABLE PLUG HOUSING P/N ; X-1747066-2~8



AWG#28~#22 0.079~0.38mm ²	Φ1.08~Φ1.9	PHOS-BRO, FINISH: Au, OVIER Ni 下地: Niめっき, 仕上: 金めっき・リン青銅	1747063-1
WIRE RANGE 導体断面積	INSULATION DIA 被覆外径	MATERIAL 材料	PART No. 型番

THIS DRAWING IS A CONTROLLED DOCUMENT.		DWN T.HATANO 01OCT2004	Tyco Electronics AMP K.K. Kawasaki, Japan	
DIMENSIONS: 単位: 概 mm		CHK N.YAMASAKI 01OCT2004	NAME 名称 GRACE INERTIA CONNECTOR 2.5 REC CONTACT (M TYPE)	
TOLERANCES UNLESS OTHERWISE SPECIFIED: 一般公差		APVD N.YAMASAKI 01OCT2004	PRODUCT SPEC 製品規格 108-5992	
0 PLD ±0.3		APPLICATION SPEC 取付適用規格 114-5359		
1 PLC ±-		WEIGHT -		
2 PLC ±-		SIZE A3 CAGE CODE 00779 DRAWING NO 番号 C-1747063		
3 PLC ±-		RESTRICTED TO -		
4 PLC ±-		SCALE 尺度 10:1 SHEET 1 OF 1 REV C		
ANGLES ±3deg		CUSTOMER DRAWING		