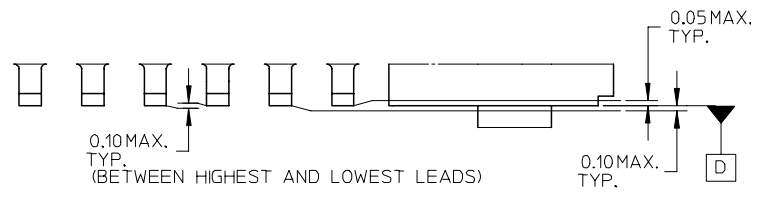
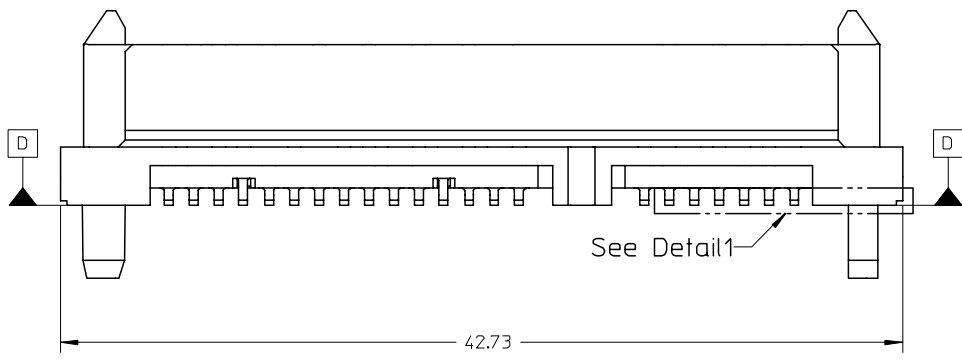




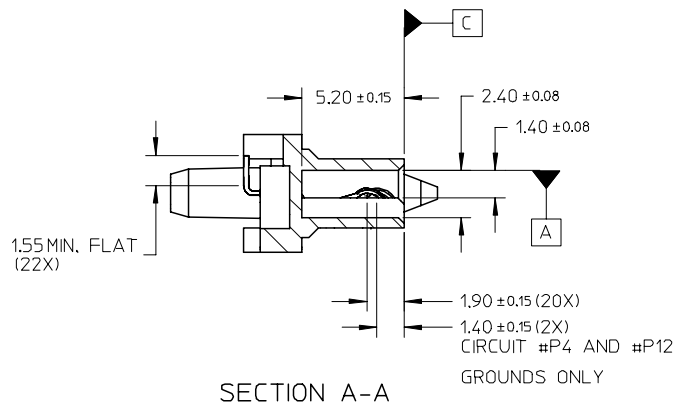
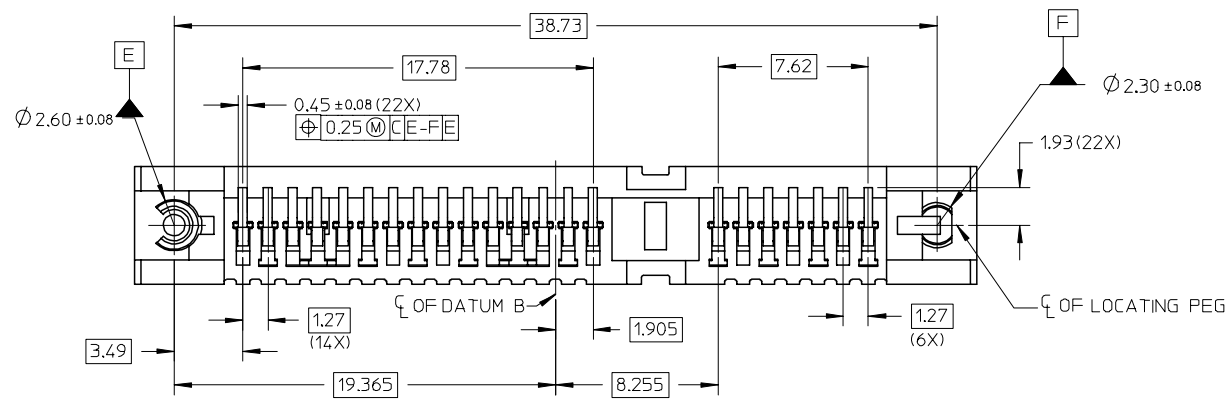
10 9 8 7 6 5 4 3 2 1

F  
E  
D  
C  
B  
A

F  
E  
D  
C  
B  
A



DETAIL 1



SECTION A-A

OBS TIN/LEAD P/N EC NO: S2006-0984 DRWN:MLONG 2006/04/04 CHKD:CGTAN 2006/04/04 APPR:KCLING 2006/04/04	QUALITY SYMBOLS ▽=0 ◻=0	GENERAL TOLERANCES (UNLESS SPECIFIED)		DIMENSION STYLE MM ONLY		SCALE NTS	DESIGN UNITS METRIC	THIRD ANGLE PROJECTION		
			mm	INCH	DRAWN BY DKOH	DATE 2002/07/05	TITLE SERIAL ATA BACKPLANE STD HEIGHT, RECEPT., SMT			
			4 PLACES ± ---	± ---	CHECKED BY KCLING	DATE 2002/07/05				
			3 PLACES ± ---	± ---	APPROVED BY SKTOH	DATE 2002/07/05	MOLEX INCORPORATED			
	2 PLACES ± 0.20	± ---	MATERIAL NO. 87713-1001	DOCUMENT NO. SD-87713-001	SHEET NO. 2 OF 4					
	1 PLACE ± ---	± ---	DRAFT WHERE APPLICABLE MUST REMAIN WITHIN DIMENSIONS		THIS DRAWING CONTAINS INFORMATION THAT IS PROPRIETARY TO MOLEX INCORPORATED AND SHOULD NOT BE USED WITHOUT WRITTEN PERMISSION					
	ANGULAR ± 3 °									

9 8 7 6 5 4 3 2 1

10 9 8 7 6 5 4 3 2 1

F F

E E

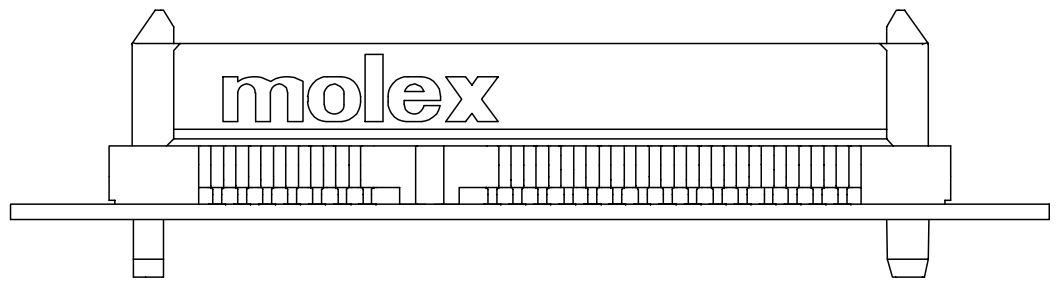
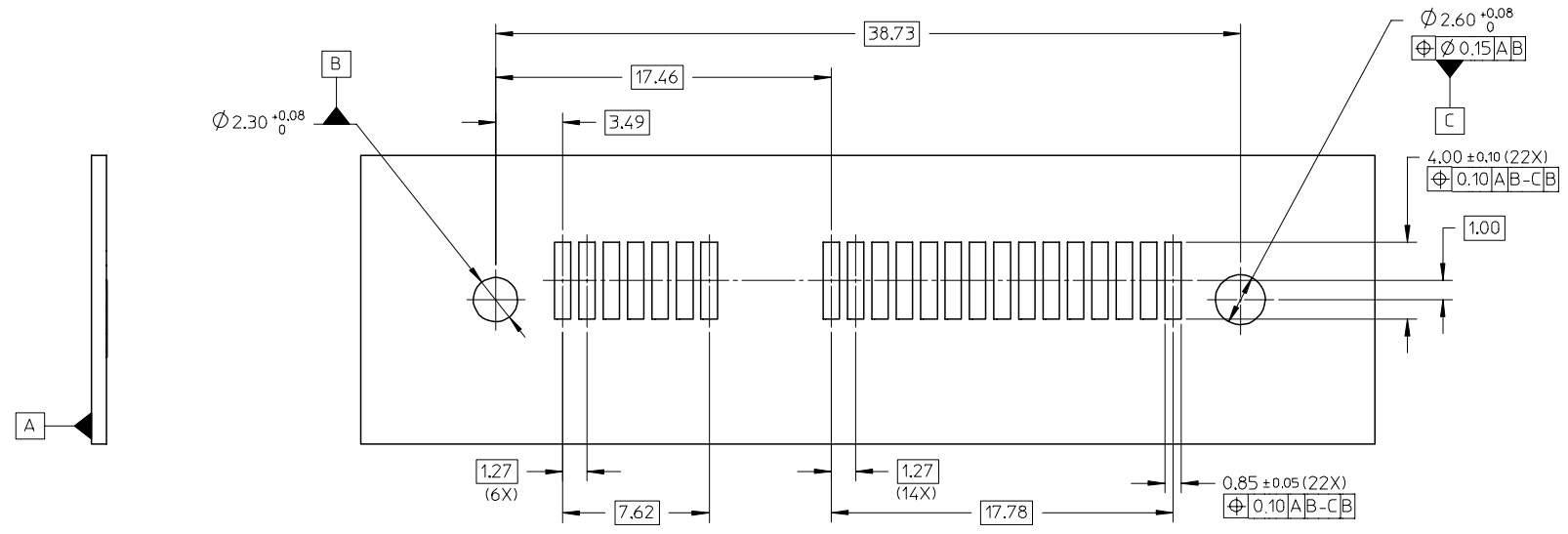
D D

C C

B B

A A

9 8 7 6 5 4 3 2 1



PCB THICKNESS: TBA mm  
RECOMMENDED PCB LAYOUT

OBS TIN/LEAD P/N EC NO: S2006-0984 DRWN:MLONG CHKD:CGTAN APPR:KCLING	2006/04/04 2006/04/04 2006/04/04 2006/04/04	QUALITY SYMBOLS ▽=0 ▽=0	GENERAL TOLERANCES (UNLESS SPECIFIED)		DIMENSION STYLE MM ONLY		SCALE NTS	DESIGN UNITS METRIC	THIRD ANGLE PROJECTION			
				mm	INCH	DRAWN BY DKOH	DATE 2002/07/05	TITLE SERIAL ATA BACKPLANE STD HEIGHT, RECEPT., SMT				
			4 PLACES	± ---	± ---	CHECKED BY KCLING	DATE 2002/07/05	MOLEX INCORPORATED DOCUMENT NO. SD-87713-001 SHEET NO. 3 OF 4				
			3 PLACES	± ---	± ---	APPROVED BY SKTOH	DATE 2002/07/05					
2 PLACES	± 0.20	± ---	ANGULAR ± 3 °		MATERIAL NO. 87713-1001							
1 PLACE	± ---	± ---	DRAFT WHERE APPLICABLE MUST REMAIN WITHIN DIMENSIONS		SIZE A3		THIS DRAWING CONTAINS INFORMATION THAT IS PROPRIETARY TO MOLEX INCORPORATED AND SHOULD NOT BE USED WITHOUT WRITTEN PERMISSION					

10

9

8

7

6

5

4

3

2

1

F

F

E

E

D

D

C

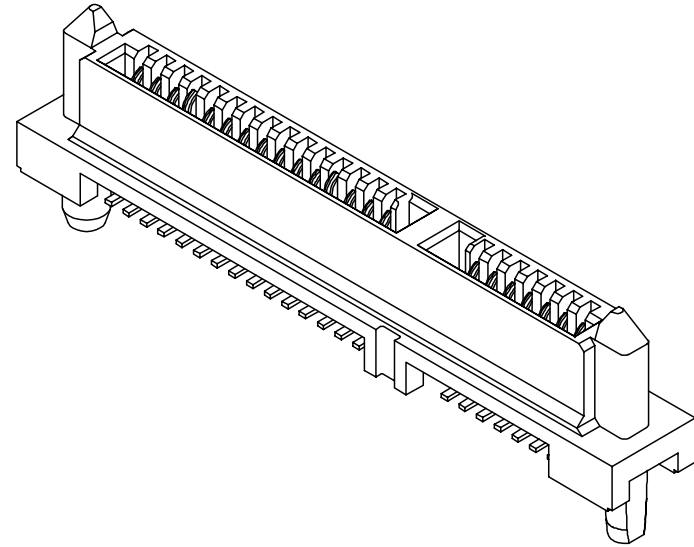
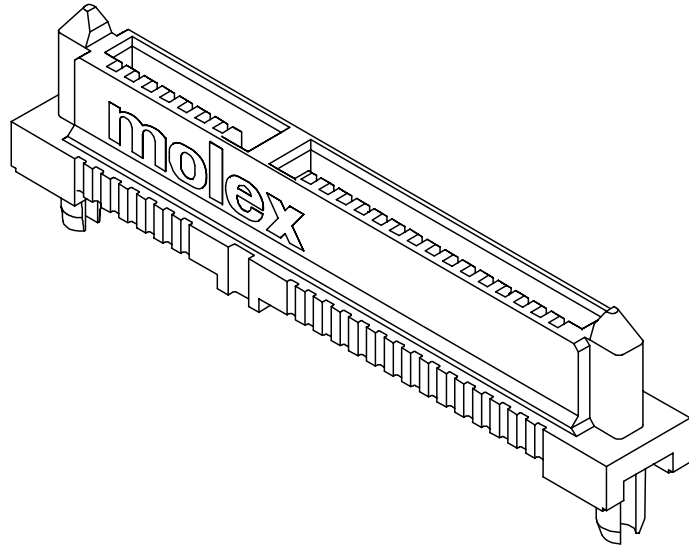
C

B

B

A

A



OBS TIN/LEAD P/N EC NO: S2006-0984 DRWN:MLONG CHKD:CGTAN APPR:KCLING	2006/04/04
	2006/04/04
	2006/04/04
	2006/04/04

QUALITY SYMBOLS	DESCRIPTION
▼=0	
∇=0	

GENERAL TOLERANCES (UNLESS SPECIFIED)		
	mm	INCH
4 PLACES	± ---	± ---
3 PLACES	± ---	± ---
2 PLACES	± 0.20	± ---
1 PLACE	± ---	± ---
ANGULAR ± 3 °		
DRAFT WHERE APPLICABLE MUST REMAIN WITHIN DIMENSIONS		

DIMENSION STYLE MM ONLY	
DRAWN BY	DATE
DK0H	2002/07/05
CHECKED BY	DATE
KCLING	2002/07/05
APPROVED BY	DATE
SKTOH	2002/07/05
MATERIAL NO.	
87713-1001	

SCALE NTS	DESIGN UNITS METRIC	THIRD ANGLE PROJECTION
TITLE SERIAL ATA BACKPLANE STD HEIGHT, RECEPT., SMT		
MOLEX INCORPORATED		
DOCUMENT NO. SD-87713-001	SHEET NO. 4 OF 4	

9

8

7

6

5

4

3

2

1