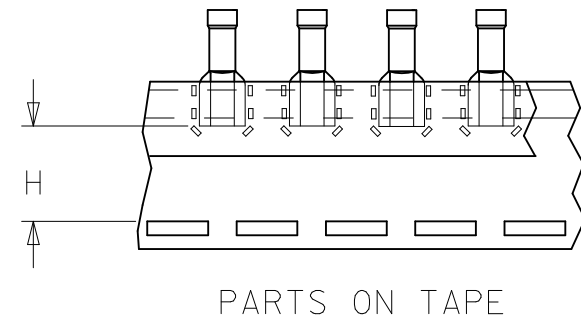
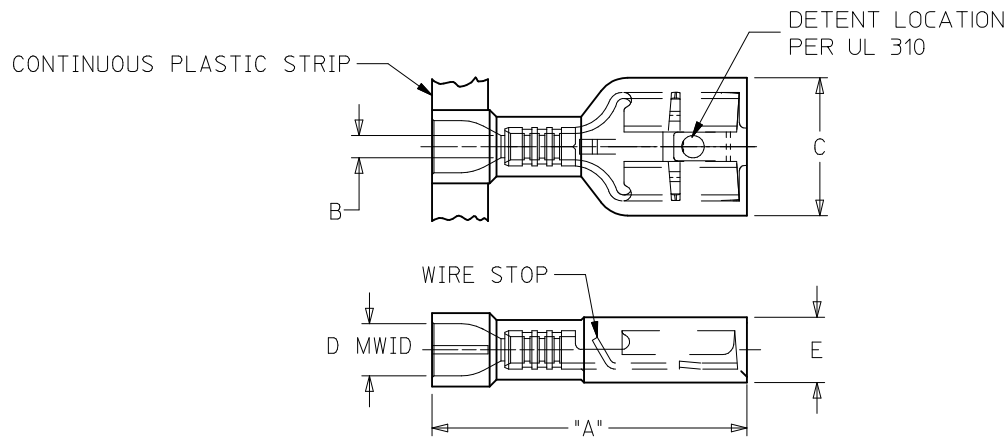


10	9	8	7	6	5	4	3	2	19276						
LOOSE PIECE MATERIAL NUMBER	LOOSE PIECE ENGRNG NUMBER	CONTINUOUS STRIP MATERIAL NUMBER	CONTINUOUS STRIP ENGRNG NUMBER	MYLAR TAPE MATERIAL NUMBER	MYLAR TAPE ENGRNG NUMBER	WIRE RANGE AWG	FITS MALE TAB SIZE	HOUSING COLOR	STOCK THICK.	"A" MAX.	"B" MIN.	"C" MAX.	"D" MWID	"E" MAX.	"H" NOMINAL
192760002	AA-2201-LIF	192760001	AA-2201C-LIF	192760003	AA-2201T-LIF	22-18	.250x.032 (6.35x0.81)	RED	.016/0.41	.86/21.8	.058/1.47	.38/9.7	.135/3.43	.18/4.6	.56/14.2
192760005	BB-2206-LIF	192760004	BB-2206C-LIF	192760006	BB-2206T-LIF	16-14	.250x.032 (6.35x0.81)	BLUE	.016/0.41	.86/21.8	.083/2.10	.38/9.7	.160/4.06	.18/4.6	.56/14.2
192760008	C-2293-LIF	192760007	C-2293C-LIF	192760009	C-2293T-LIF	12-10	.250x.032 (6.35x0.81)	YELLOW	.018/0.46	1.03/26.1	.117/2.97	.38/9.7	.235/5.97	.22/5.6	.51/12.9



NOTES:

- MATERIALS:
 TERMINAL: MATTE-TIN PLATED BRASS
 INSULATION: NYLON 6/6 94V-2,
 SEE CHART FOR COLORS
- PRODUCT SPECIFICATION: PS-19902-012
- MWID = MAXIMUM WIRE INSULATION DIAMETER
- PARTS ARE ROHS COMPLIANT

SALES DRAWING

RELEASE EC NO: WNA2009-0761 DRW: ETHRODAHL 2010/03/18 CHKD: JMACNEIL 2010/03/18 APPR: JMACNEIL 2011/01/06 A	DESCRIPTION REV	QUALITY SYMBOLS	GENERAL TOLERANCES (UNLESS SPECIFIED)	DIMENSION STYLE	SCALE	DESIGN UNITS	THIRD ANGLE PROJECTION	
			mm	INCH	IN/MM	1:1	INCH	
		▽=0 ▽7=0	4 PLACES ± --- ± --- 3 PLACES ± --- ± .005 2 PLACES ± 0.13 ± .010 1 PLACE ± 0.25 ± .020 ANGULAR ± 1/2°	DRAWN BY DATE ETHRODAHL 2010/03/18 CHECKED BY DATE JMACNEIL 2010/03/18 APPROVED BY DATE JMACNEIL 2011/01/06	TITLE QUIXON LOW INSERT FORCE FULLY INSUL QUICK DISCNT INSULKRIMP 22-10 AWG			
		DRAFT WHERE APPLICABLE MUST REMAIN WITHIN DIMENSIONS	MATERIAL NO. SEE CHART	DOCUMENT NO. SD-19276-001	SHEET NO. 1 OF 1			