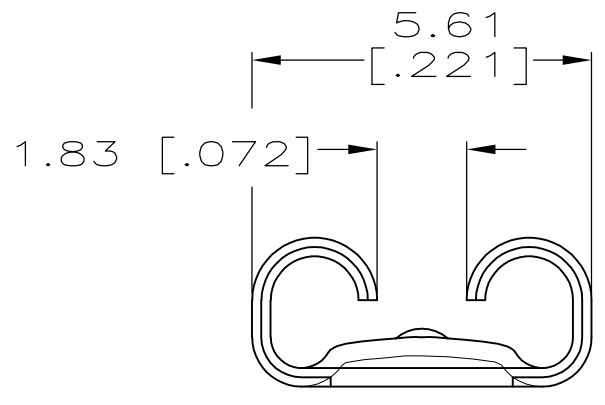
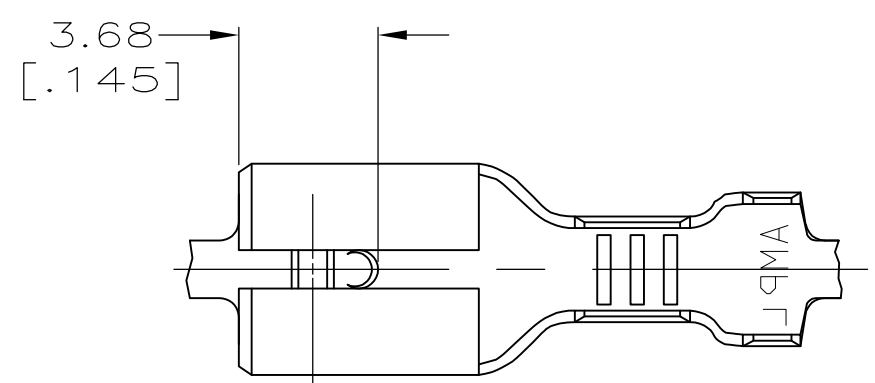


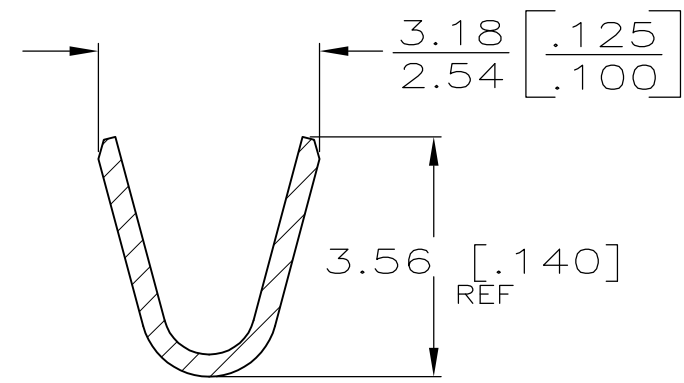
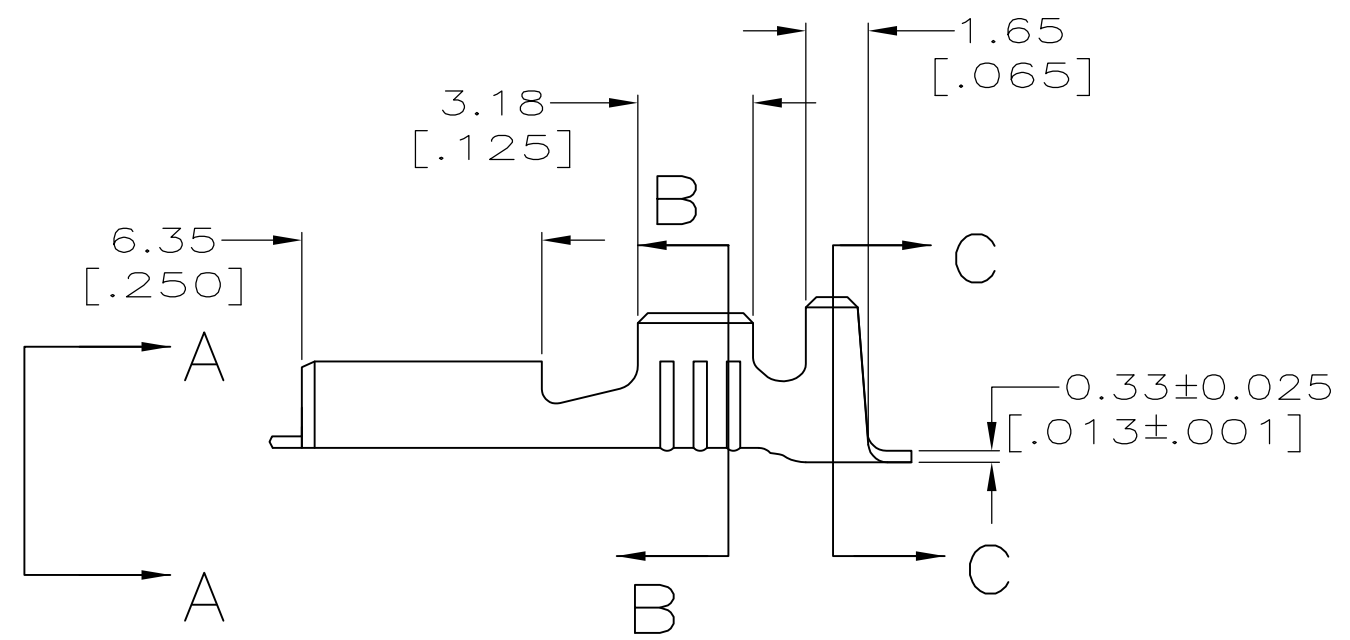
THIS DRAWING IS UNPUBLISHED. RELEASED FOR PUBLICATION  
 © COPYRIGHT - By - ALL RIGHTS RESERVED.

LOC	DIST	REVISIONS			
P	LTR	DESCRIPTION	DATE	DWN	APVD
AF	50	J	REVISED PER ECR-12-013518	23NOV2012	KH PD

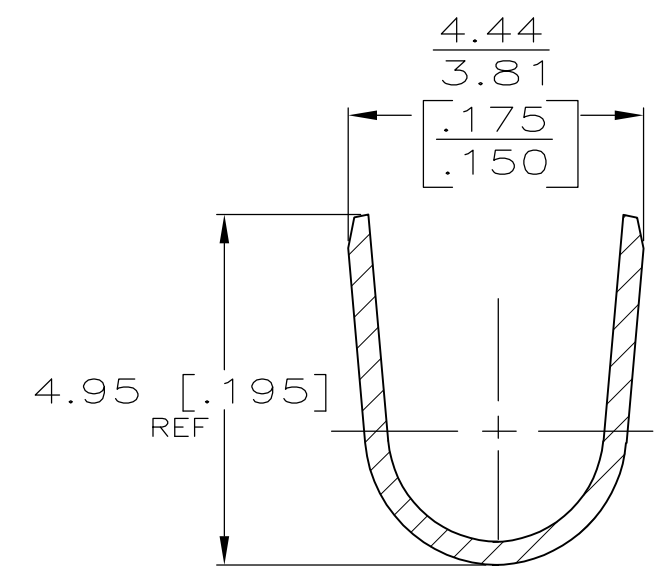
- 1 ACCEPTS WIRE SIZE [#20-#16] AWG.
- 2 INSULATION RANGE IS 2.29-3.30 [.090-.130] DIA.
- 3 CONTINUOUS STRIP ON REELS.
- 4 MATING TAB THK IS 0.813±0.025 [.032±.001].
- △5 SPECIAL PACKAGING
- △7 PRELIMINARY - NOT FOR PRODUCTION



VIEW A-A  
SCALE 8:1



SECTION B-B  
SCALE 8:1



SECTION C-C  
SCALE 8:1

FINISH	MATERIAL	PART NO.
TIN	PHOS BRONZE	63477-6
-	BRASS	△5 63477-5 △7
TIN	BRASS	63477-2
-	BRASS	63477-1

THIS DRAWING IS A CONTROLLED DOCUMENT.		DWN JR RUTH 11/9/87	<b>TE Connectivity</b>  RECEPTACLE, LIF, FASTON, 4.75 [.187] SERIES				
DIMENSIONS: mm [INCHES]		CHK G YETTER 11/10/87					
TOLERANCES UNLESS OTHERWISE SPECIFIED:		APVD R KUZO 11/10/87					
0 PLC ± - 1 PLC ± - 2 PLC ± 0.25 [.010] 3 PLC ± - 4 PLC ± - ANGLES ± -		NAME					
MATERIAL SEE TABLE	FINISH SEE TABLE	PRODUCT SPEC -	APPLICATION SPEC -	SIZE A3	CAGE CODE 00779	DRAWING NO C-63477	RESTRICTED TO -
CUSTOMER DRAWING			SCALE 5:1	SHEET 1 OF 1	REV J		