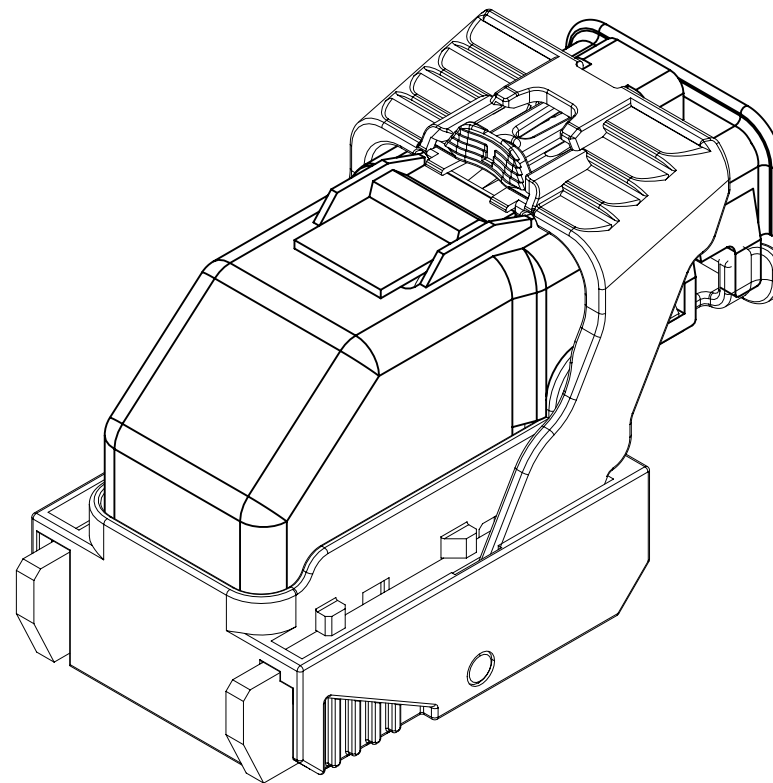

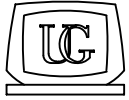


INDEX	
PAGE TITLE	PAGE
TITLE BLOCK	1
REVISION BLOCK	2
PART BLOCK	3
KPC BLOCK	4
COMPONENT TABLE	5
NOTES	6
NOTES	7
WIRE DRESS PACKAGING DIMENSIONS	8
LOCATION AND PACKAGING DIMENSIONS REFERENCING INTERFACE DATUMS B & C	9
LOCATION AND PACKAGING DIMENSIONS REFERENCING INTERFACE DATUM A	10
KEY ID REF - WIRE DRESS OPTION 0	11
KEY ID REF - WIRE DRESS OPTION 9	12
CIRCUIT CONFIGURATIONS	13
CIRCUIT CONFIGURATIONS	14
COMPONENT CONNECTOR INTERFACE	15
COMPONENT CONNECTOR INTERFACE	16
COMPONENT CONNECTOR INTERFACE	17
COMPONENT CONNECTOR INTERFACE	18
COMPONENT CONNECTOR INTERFACE	19
COMPONENT CONNECTOR INTERFACE	20
COMPONENT CONNECTOR INTERFACE	21
COMPONENT CONNECTOR INTERFACE	22
ADDITIONAL COMPONENTS REQUIRED	23



ISO VIEW

	THIS DOCUMENT IS IN ACCORDANCE WITH ASME Y14.5M-1994 AS AMENDED BY THE GM GLOBAL DIMENSIONING AND TOLERANCING ADDENDUM - 2004.			DATE
	 CHANGE RESTRICTED NO MANUAL CHANGES	REFERENCE 12H (MOLEX AUTOMOTIVE)	DRAFTER D. KOEHLER 04JN15	
DO NOT SCALE			DRAWING NAME HARNESS CONN ASM-SEALED 18/49/56 CKTS, MX123	APVD1
	APVD2			
METRIC DIMENSIONS SHOWN IN MILLIMETERS UNLESS OTHERWISE SPECIFIED		APVD3		
		APVD4		
		APVD5		
	DRAWING NUMBER	DWG STATUS		PAGE NUMBER
	12672832	ST	REV	PD1
		R	001	
				1 of 23

PAGE	DWG STATUS					REVISION HISTORY	AUTH	DR	CK	ENG
	DATE	ST	REV	CHG	PDI					

PAGE	DWG STATUS					REVISION HISTORY	AUTH	DR	CK	ENG
	DATE	ST	REV	CHG	PDI					
	03JN15	R	001			RELEASED TO PRODUCTION AT DLS A	CRMRJE	DFK		



KEY PRODUCT CHARACTERISTICS  
 (IN ACCORDANCE WITH QN 1805 OR ON 1050)



SAFETY/COMPLIANCE

TOTAL ON  
DRAWING

4



FIT/FUNCTION

LAST NO.  
USED

4

NO	TYPE	DESCRIPTION	RATIONALE	PAGE/ZONE
1	F/F	32.68	IMPROVE CONNECTOR SYSTEM MATING	16
2	F/F	29.00	INSURE PROPER RELEASE OF LEVER	16
3	F/F	15.25	INSURE FINAL MATE POSITION	17
4	F/F	POSITIONAL TOLERANCE (2 PLACES)	INSURE CONNECTOR SYSTEM MATIBILITY	20



PAGE TITLE  
KPC BLOCK

DRAWING NUMBER

12672832

DWG STATUS

ST	REV	PD1
----	-----	-----

R	001	
---	-----	--

PAGE NUMBER

4 OF 23

Γ J 0	MFG.	MFG. P/N	GM P/N	Effective Date	APPLICABLE COMPONENTS	Key Option	Wire Dress Option	Key Config.	Color	Status
					DESCRIPTION					
1	MOLEX	34575-0003	12582679	02JN03	WIRE HARNESS COVER	N/A	NA	N/A	BLACK	AVAILABLE
2	MOLEX	34851-0007	12672834	31AU15	HARN CONN ASM 18 CKT	G	0	1358	BLUE	ACTIVE
3	MOLEX	34851-0008	12672836	31AU15	HARN CONN ASM 18 CKT	H	0	2458	ST GRAY	ACTIVE
4	MOLEX	34851-0019	12672835	31AU15	HARN CONN ASM 18 CKT	G	9	1358	BLUE	ACTIVE
5	MOLEX	34851-0020	12672837	31AU15	HARN CONN ASM 18 CKT	H	9	2458	ST GRAY	ACTIVE
6	MOLEX	34576-0103	12672838	31JL15	HARN CONN ASM 49 CKT	A	0	1458	BLACK	ACTIVE
7	MOLEX	34576-0203	12672840	T.B.D.	HARN CONN ASM 49 CKT	B	0	1468	ST GRAY	NOT ACTIVE
8	MOLEX	34576-0303	12672842	31JL15	HARN CONN ASM 49 CKT	C	0	2467	BLUE	ACTIVE
9	MOLEX	34576-1303	12672839	31JL15	HARN CONN ASM 49 CKT	A	9	1458	BLACK	ACTIVE
10	MOLEX	34576-1403	12672841	T.B.D.	HARN CONN ASM 49 CKT	B	9	1468	ST GRAY	NOT ACTIVE
11	MOLEX	34576-1503	12672843	31JL15	HARN CONN ASM 49 CKT	C	9	2467	BLUE	ACTIVE
12	MOLEX	34576-0703	12672848	11JN04	HARN CONN ASM 56 CKT	G	0	1358	BLUE	AVAILABLE
13	MOLEX	34576-0803	12672846	11JN04	HARN CONN ASM 56 CKT	H	0	2458	ST GRAY	AVAILABLE
14	MOLEX	34576-0903	12672844	T.B.D.	HARN CONN ASM 56 CKT	J	0	2457	BLACK	NOT ACTIVE
15	MOLEX	34576-1903	12672849	11JN04	HARN CONN ASM 56 CKT	G	9	1358	BLUE	AVAILABLE
16	MOLEX	34576-2003	12672847	T.B.D.	HARN CONN ASM 56 CKT	H	9	2458	ST GRAY	NOT ACTIVE
17	MOLEX	34576-2103	12672845	T.B.D.	HARN CONN ASM 56 CKT	J	9	2457	BLACK	NOT ACTIVE
18	MOLEX	34736-0028	12672851	01AU10	MX64 RCPT TERM Ag 0.5mm/0.75mm ISO GAGE B (RIGHT PAYOFF)	N/A	N/A	N/A	N/A	AVAILABLE
19	MOLEX	34736-0026	12672850	01AU10	MX64 RCPT TERM Ag 0.35mm ISO B (RIGHT PAYOFF)	N/A	N/A	N/A	N/A	AVAILABLE
20	MOLEX	34586-0001	12674820	11JN04	MX123 0.64MM GROMMET PLUG	N/A	N/A	N/A	NATURAL	AVAILABLE
21	YAZAKI	7116-4150-02	12588066	02JN03	2.8mm YESC SEALED FEMALE TERMINAL TIN 0.35mm2-0.50mm2	N/A	N/A	N/A	N/A	NOT ACTIVE
22	YAZAKI	7116-4151-02	12588067	02JN03	2.8mm YESC SEALED FEMALE TERMINAL TIN 0.75mm2-1.0mm2	N/A	N/A	N/A	N/A	NOT ACTIVE
23	YAZAKI	7116-4152-02	12582685	02JN03	2.8mm YESC SEALED FEMALE TERMINAL TIN 1.5mm2-2.5mm2	N/A	N/A	N/A	N/A	AVAILABLE
24	YAZAKI	7158-3111-60	12588068	02JN03	2.8mm CABLE SEAL (wire O.D. range 1.2mm-1.9mm)	N/A	N/A	N/A	GREEN	NOT ACTIVE
25	YAZAKI	7158-3112-70	12588069	02JN03	2.8mm CABLE SEAL (wire O.D. range 1.8mm-2.3mm)	N/A	N/A	N/A	YELLOW	NOT ACTIVE
26	YAZAKI	7158-3113-40	12582686	02JN03	2.8mm CABLE SEAL (wire O.D. range 2.1mm-3.0mm)	N/A	N/A	N/A	WHITE	AVAILABLE
27	YAZAKI	7158-3114-90	12674821	02JN03	2.8mm YESC CAVITY PLUG	N/A	N/A	N/A	BLUE	AVAILABLE
28	DELPHI	33140138	12646399	10JA14	6.35mm APEX RCPT TERM Sn/Ag GRIP CODE-10 (6mm2) - GREASED	N/A	N/A	N/A	N/A	AVAILABLE
29	DELPHI	33140135	12654556	10JA14	6.35mm APEX RCPT TERM Sn/Ag GRIP CODE-TBD (1mm2) - GREASED	N/A	N/A	N/A	N/A	AVAILABLE
30	QSR	A-0549C	12646688	01SE14	6.35mm CABLE SEAL (FOR 6.0mm2 WIRE SIZE - 3.6 TO 4.2mm INSULATION OD)	N/A	N/A	N/A	WHITE	AVAILABLE
31	QSR	A-0549B	12654557	01SE14	6.35mm CABLE SEAL (FOR 0.75-1.25mm2 WIRE SIZE - 1.8 TO 2.3mm INSULATION OD)	N/A	N/A	N/A	BLUE	AVAILABLE
32	MOLEX	63825-8400	N/A	02JN03	MX64 TERM HAND CRIMP TOOL	N/A	N/A	N/A	N/A	AVAILABLE
33	MOLEX	63813-1400	XX019826	02JN03	MX64 TERM SERVICE TOOL	N/A	N/A	N/A	N/A	AVAILABLE
34	MOLEX	63902-5300	N/A	02JN03	MX64 CRIMP APPLICATOR with TOOL KIT 0.5/0.75mm2 PAYOFF DIRECTION D (left payoff) (contact Molex for payoff detail)	N/A	N/A	N/A	N/A	AVAILABLE
35	MOLEX	63902-5370	N/A	02JN03	MX64 APPLICATOR TOOL KIT 0.5/0.75mm2	N/A	N/A	N/A	N/A	AVAILABLE
36	MOLEX	63902-5100	N/A	02JN03	MX64 CRIMP APPLICATOR with TOOL KIT 0.35mm2 PAYOFF DIRECTION D (left payoff) (contact Molex for payoff detail)	N/A	N/A	N/A	N/A	AVAILABLE
37	MOLEX	63902-5170	N/A	02JN03	MX64 APPLICATOR TOOL KIT 0.35mm2	N/A	N/A	N/A	N/A	AVAILABLE
38	SPX	J35616-64	T.B.D.	02JN03	0.64mm PROBE TOOL (for rcpt)	N/A	N/A	N/A	N/A	AVAILABLE
39	SPX	J35616-64A	T.B.D.	02JN03	0.64mm PROBE TOOL WITH EXT (for rcpt)	N/A	N/A	N/A	N/A	AVAILABLE
40	SPX	J35616-65	T.B.D.	02JN03	0.64mm PROBE TOOL WITH EXT (for pin)	N/A	N/A	N/A	N/A	AVAILABLE
41	SPX	J35616-4A	T.B.D.	02JN03	2.8mm PROBE TOOL (for rcpt)	N/A	N/A	N/A	N/A	AVAILABLE
42	YAZAKI	X39899-J374	12094430	02JN03	2.8mm TERM SERVICE TOOL	N/A	N/A	N/A	N/A	AVAILABLE
43	TQI	7000-1001	N/A	01FE15	18CKT PASS THROUGH ADAPTERS	N/A	N/A	N/A	BLACK	AVAILABLE
44	TQI	7000-1004	N/A	01FE15	49CKT PASS THROUGH ADAPTERS	N/A	N/A	N/A	BLACK	AVAILABLE
45	TQI	79917-0060	N/A	02JA08	56CKT PASS THROUGH ADAPTERS	N/A	N/A	N/A	BLACK	AVAILABLE
46	MOLEX	63813-1500	J-38125-217	01SE14	6.35mm APEX TERM SERVICE TOOL	N/A	N/A	N/A	N/A	AVAILABLE

\* MX123 WIRE HARNESS COVER  
MATES TO ANY 18/49/56 CKT  
MX123 HARN CONN ASSY  
SHOWN ON THIS TABLE



PAGE TITLE  
COMPONENT TABLE

DRAWING NUMBER

12672832

DWG STATUS

ST REV PDI

R 001

PAGE NUMBER

5 of 23

NOTES: UNLESS OTHERWISE SPECIFIED

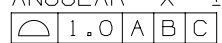
1. MATERIAL FOR INTERFACE:

- A. RESIN:
  - 1. 30% G.F. PBT; 20% MAX. (BY WEIGHT) REGRIND.
  - 2. MATING CONNECTOR INTERFACE PART COLOR MUST BE SAME AS MATCHING KEYED HARNESS CONNECTOR ASSEMBLY.
  - 3. MUST BE VALIDATED FOR INDIVIDUAL DEVICE APPLICATION REQUIREMENTS.
- B. 0.64MM PINS:
  - 1. BASE MATERIAL: COPPER ALLOY; CONDUCTIVITY >= 28% IACS AT 20°C; TENSILE STRENGTH >= 635 N/mm<sup>2</sup>; SURFACE ROUGHNESS R<sub>a</sub> 6 MAX.
  - 2. PLATING FINISH: SILVER (Ag). PLATING TO BE 1.9-3.3 μm ELECTRODEPOSITED SEMI-BRIGHT SILVER OVER 1.25-2.25 μm DUCTILE SULPHAMATE NICKEL PER NOTE 1(D).
  - 3. ANTI-TARNISH: SYNTHETIC HYDROCARBON CONTACT SURFACE FINISH OR EQUIVALENT APPLIED WITHOUT VOID TO CONTACT AREA (MIN 3.7mm FROM PIN TIP).
- C. 2.8MM BLADE:
  - 1. BASE MATERIAL: COPPER ALLOY; CONDUCTIVITY >= 28% IACS AT 20°C; TENSILE STRENGTH >= 350 N/mm<sup>2</sup>; SURFACE ROUGHNESS R<sub>a</sub> 6 MAX.
  - 2. PLATING FINISH: TIN. PLATING TO BE 2.5-5.0 μm ELECTRODEPOSITED TIN, MATTE FINISH OVER 1.25-2.5μm DUCTILE SULPHAMATE NICKEL PER NOTE 1(D).
- D. 6.3MM BLADE:
  - 1. BASE MATERIAL: COPPER ALLOY; CONDUCTIVITY >= 50% IACS AT 20°C;
  - 2. PLATING FINISH: SILVER (Ag) PLATING TO BE 1.9-3.3 μm ELECTRODEPOSITED SEMI-BRIGHT SILVER, OVER 1.25-2.5μm DUCTILE SULPHAMATE NICKEL PER NOTE 1(D) WITH ENVIRONMENTAL BARRIER OR TIN/SILVER (ELECTRO-DEPOSITED), UNDERPLATE 0.5-2.0 μm NICKEL OR COPPER. TOP PLATING: 1.0-3.0 μm (SILVER RANGE 3.75-X.XX NO ANTI-TARNISH COATING REQUIRED).
- E. PLATING REQUIREMENTS:
  - 1. SILVER PLATING
    - a. 99.5% PURE SEMI-BRIGHT WITH NO ORGANIC BRIGHTNERS OR CHROMATES.
  - 2. NICKEL PLATING
    - a. ELECTRODEPOSITED DUCTILE SULFAMATE NICKEL WITH A NON-BRIGHTENED FINISH. NO ORGANIC OR BRIGHTENING AGENTS SHALL BE ALLOWED.
    - b. SHALL ONLY BE USED AS AN UNDERLYING PLATING AND MAY NOT BE USED AS AN ELECTRICAL CONTACT SURFACE PLATING.
    - c. SHALL BE NODULE FREE WHEN VIEWED AT 10X MAGNIFICATION IN MEASURED IN CONTACT SURFACE AREA PLUS 0.5MM PERIMETER AROUND THE CONTACT SURFACE AREA.
    - d. ALL PLATINGS SHALL HAVE A 1.0% MAXIMUM BY WEIGHT IMPURITIES. IMPURITIES ARE DEFINED AS ALL ELEMENTS NOT THE PRIMARY PLATING OR HARDENING AGENT IF APPLICABLE, AS DETERMINED BY WET CHEMICAL ANALYSIS OR AUGER METHOD. NO SINGLE IMPURITY SHALL EXCEED 0.1% MAXIMUM BY WEIGHT.
  - 3. TESTING
    - a. THICKNESS TO BE MEASURED IN CONTACT SURFACE AREA PLUS 0.5MM PERIMETER AROUND THE CONTACT SURFACE AREA AS DESIGNATED IN THE DRAWING. THICKNESS SHALL BE DETERMINED BY METHOD OF X-RAY (XRF).
    - b. PLATING ADHESION SHALL BE TESTED BY A BEND TEST FOR ALL METALS. THE TEST SAMPLE SHALL BE BENT 90 DEGREES TO DETERMINE DEPOSIT ADHESION. TESTING SHALL BE COMPLETED IN ACCORDANCE WITH ASTM SPEC B571.

2. DESIGN - GENERAL:


- A. THIS IS A 100% CAD GENERATED PART. THE CAD MATHEMATICAL DATA IS THE MASTER FOR THIS PART. WHERE DIMENSIONS ARE SPECIFIED ON THE DRAWING, THE DRAWING IS THE AUTHORITY FOR DIMENSIONAL VALUES. FOR DIMENSIONAL OR ANY INFORMATION NOT SHOWN ON THIS DRAWING, ANALYZE THE CAD MODEL.
- B. DIMENSIONS OBTAINED FROM THE DIGITAL MODEL ARE BASIC:
  - 1. FOR RELATIONSHIPS BETWEEN FEATURES WHEN ESTABLISHED BY GEOMETRIC TOLERANCES.
  - 2. FOR THE FORM OF A FEATURE WHEN CONTROLLED BY A PROFILE TOLERANCE.
  - 3. FOR THE SIZE, FORM AND/OR RELATIONSHIP BETWEEN FIXED DATUM TARGETS.
- C. DIMENSIONS OBTAINED FROM THE DIGITAL MODEL ARE ROUNDED TO TWO DECIMAL PLACES (PER IEEE/ASTM SI 10-2002)
- D. VIEWS AND SECTIONS ON THIS DRAWING ARE IN ACCORDANCE WITH GM DCS SECTION C3.
- E. THE DIGITAL MODEL MUST CORRESPOND TO THE RELEASE LEVEL SHOWN IN THE PART BLOCK ON THIS DOCUMENT.
- F. TOLERANCES:
  - 1. LINEAR
 

0.X	±	0.30
0.XX	±	0.10
0.XXX	±	0.10
  - 2. ANGULAR
 

X°	±	3°
----	---	----
  - 3. 
- G. MINIMUM WALL THICKNESS REQUIRED: 1.3mm.
- H. CORNERS SHOWN AS SHARP TO BE R 0.2 MAX.
- J. LETTERING SHALL BE 0.15 MAX RAISED IN 0.20 MAX RECESS PAD. THIS INCLUDES MATERIAL CODE, RECYCLING CODE, CAVITY ID AND DATE CODE.
- K-1. PARTS MUST BE FREE OF DISCOLORATION, SALT RESIDUE AND OTHER IMPERFECTIONS THAT AFFECT FIT OR FUNCTION.
- K-2. SCRATCHES OR DENTS NOT TO EXCEED 0.013mm IN DEPTH.
- L. FOLLOWING PRODUCTION CODES TO BE PERMANENTLY MARKED & HUMAN READABLE TO A LETTER HEIGHT OF 1.5 ±0.5MM X 0.3 MAX DEEP
  - 1. MATERIAL #: XXXXX-XXXX
  - 2. DATE CODE: JJJY (JULIAN DAY, LAST DIGIT OF YEAR)
  - 3. INSPECTION MACHINE CODE + SERIAL #: X\_XXXXX

3. DESIGN - MANUFACTURING:

- A. DRAFT TO BE WITHIN TOLERANCE.
- B. ALLOWABLE FLASH MAX 0.2 HIGH X MAX 0.13 THICK.
- C. ALLOWABLE PARTING LINE MISMATCH 0.2 MAX.
- D. EJECTOR PINS MARK TO BE FLUSH TO 0.25 MAX DEPRESSED.
- E. ALLOWABLE GATE VESTIGE FLUSH TO 0.25 MAX PROTRUSION.
- F. NO EXTERNAL MOLD RELEASE AGENT ALLOWED DURING MANUFACTURING.
- G. STEEL THAT FORMS THE INDICATED SURFACE MUST BE POLISHED WITH A DIAMOND FINISH (SPI A-2) OVER THE FULL PERIPHERY OF THE TOOL. SURFACE MUST HAVE NO MISMATCH.
- H. ANY PROCESS LUBRICANT REMAINING ON THE TERMINAL MUST NOT VARNISH OR DEGRADE IT'S ELECTRICAL PERFORMANCE UP TO A MAXIMUM CLASS AMBIENT TEMPERATURE PER SAE USCAR-2 FOR 1008 HOURS. PROCESS LUBRICANTS SHOULD BE APPROVED BY THE RESPONSIBLE ENGINEER.
- J. OPTIONAL FEATURES PROVIDED FOR AUTOMATION.
- K. PART MUST BE FREE FROM BURRS AND SHARP EDGES, WHICH MIGHT BE DETRIMENTAL TO SATISFACTORY ASSEMBLY, SAFE HANDLING OR FUNCTION OF PART.
- L. PARTS AS DELIVERED TO ASSEMBLY SHALL BE CLEAN AND FREE OF DEBRIS, RESIDUAL ABRASIVE MATERIAL AND CORROSION PRODUCTS ADVERESLY AFFECTING FUNCTION OR APPEARANCE.
- M. RESTRICTED AND REPORTABLE SUBSTANCES FOR PARTS PER GMW3059.

	PAGE TITLE		DRAWING NUMBER	DWG STATUS			PAGE NUMBER	
	NOTES		12672832	ST	REV	PDI	6 of 23	
			R	001				

NOTES: UNLESS OTHERWISE SPECIFIED

4. SYSTEM REQUIREMENTS:

- A. HARNESS CONNECTOR IS COMPATIBLE WITH THE FOLLOWING WIRE SIZE NO'S:  
 0.35mm<sup>2</sup>, MEETING GMW15626 - MIN OD OF 1.30MM  
 0.50mm<sup>2</sup>, MEETING GMW15626  
 0.75mm<sup>2</sup>, MEETING GMW15626 - MIN OD OF 2.06MM

B. CABLE TIE SPECIFICATIONS:

1. CABLE TIE:  
 TENSILE RATING: 220N / (50lbs) MIN  
 TIE LENGTH: 186mm MIN  
 TIE WIDTH: 4.75mm MAX  
 MATERIAL: NYLON
2. INSTALLATION:  
 CABLE TIE TENSION: 190N MIN
3. DRESSED WIRE BUNDLE PACKAGING: SEE FIG. 1

C. WHEN MATED WITH COMPONENT CONNECTOR INTERFACE AND/OR DRESS COVER, HARNESS CONNECTOR SYSTEM CONFORMS TO THE FOLLOWING:

1. SAE/USCAR-2, REV: 3 APRIL, 2001; CLASS 3
2. FIELD CORRELATED LIFE TEST, SAE/USCAR-20, NOV. 2001
3. GMW #3191 AUGUST 22, 2000 (DRAFT); TEMPERATURE CLASS 3 (145°C), SEALING CLASS 1 (HIGH PRESSURE SPRAY), VIBRATION CLASS 2 (ON BODY)
4. TPA USER FORCES (FULLY POPULATED WITH TERMINALS)
  - α. REMOVAL FROM LOCK TO PRE-SET: <=120N

D. WIRE SPECIFICATIONS:

1. WIRE SURFACE MUST BE FREE OF SCRATCHES, GROOVES OR DENTS WHERE FUNCTIONAL

5. TERMINAL CURRENT RATINGS:

A. MX64 RCPT TERM

ALL TESTING DONE IN ACCORDANCE WITH USCAR-2 REV5 SECTION 5.3

1. MX64 RCPT TERM Ag 0.50/0.75mm<sup>2</sup> CRIMPED TO 0.75mm<sup>2</sup> ISO WIRE AND MATED TO MX123 0.64MM PIN: SEE TABLE BELOW
2. MX64 RCPT TERM Ag 0.35mm<sup>2</sup> CRIMPED TO 0.35mm<sup>2</sup> ISO WIRE AND MATED TO MX123 0.64MM PIN: SEE TABLE BELOW

WIRE	CURRENT RATING			
	23 °C	85 °C	105 °C	125 °C
0.75mm <sup>2</sup>	11.3A	11.3A	9.5A	6.6A
0.50mm <sup>2</sup>	10.0A	10.0A	8.3A	5.7A
0.35mm <sup>2</sup>	8.5A	8.5A	7.1A	5.0A

B. 2.8MM RCPT TERM

ALL TESTING DONE IN ACCORDANCE WITH MOLEX DVP&R 0279 (TR# 7125)

1. 2.8MM RCPT TERM TIN 2.0mm<sup>2</sup> CRIMPED TO 2.0mm<sup>2</sup> ISO WIRE AND MATED TO MX123 2.8MM BLADE: 25.6 AMPS AT 125°C

C. 6.3MM RCPT TERM - DELPHI APEX

ALL TESTING DONE IN ACCORDANCE WITH USCAR-2 REV5 SECTION 5.3

1. 6.3MM RCPT TERM TIN/SILVER CRIMPED TO 6.0MM<sup>2</sup> WIRE AND MATED TO MOLEX 6.3MM<sup>2</sup> BLADE (Sn/Ag PLATED): 36A AT 125°C

6. CONTACT MOLEX AUTOMOTIVE FOR AVAILABLE CUSTOM PATTERNS OF CAVITIES OPEN FOR CIRCUITS - SEE GM DRAWING 13507495



PAGE TITLE  
NOTES

DRAWING NUMBER

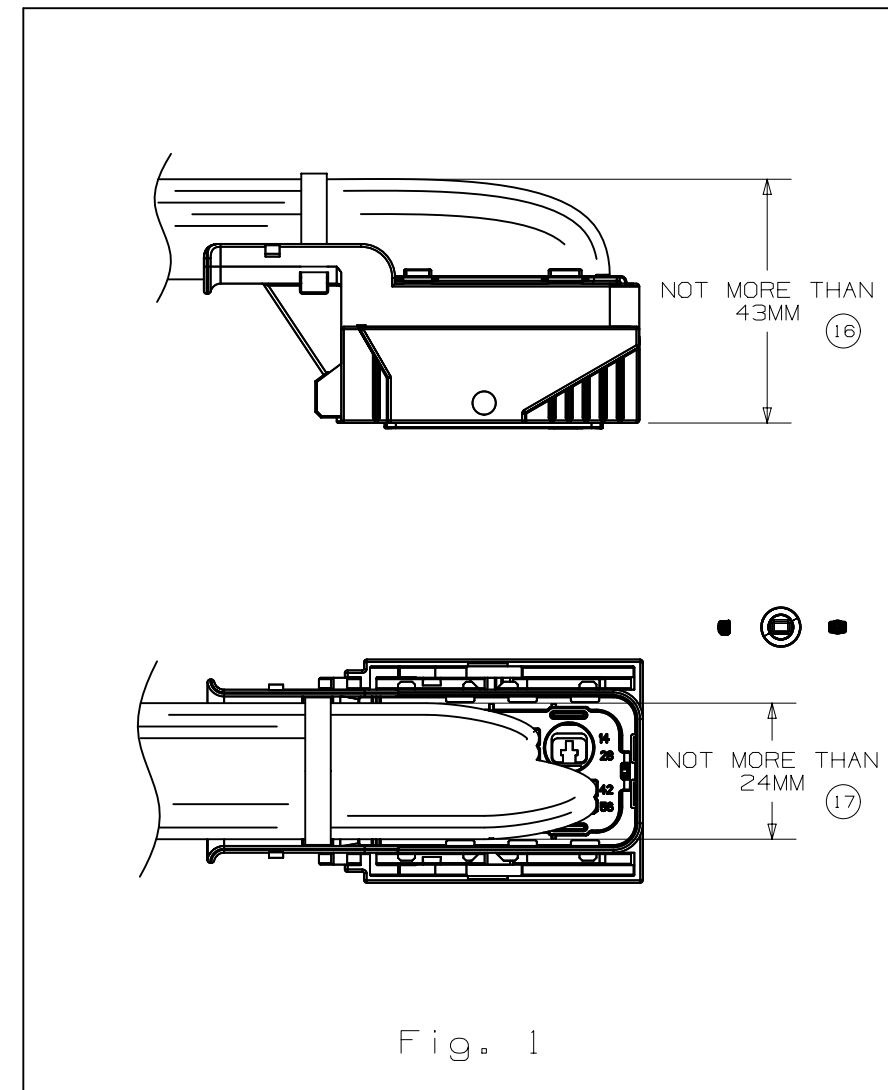
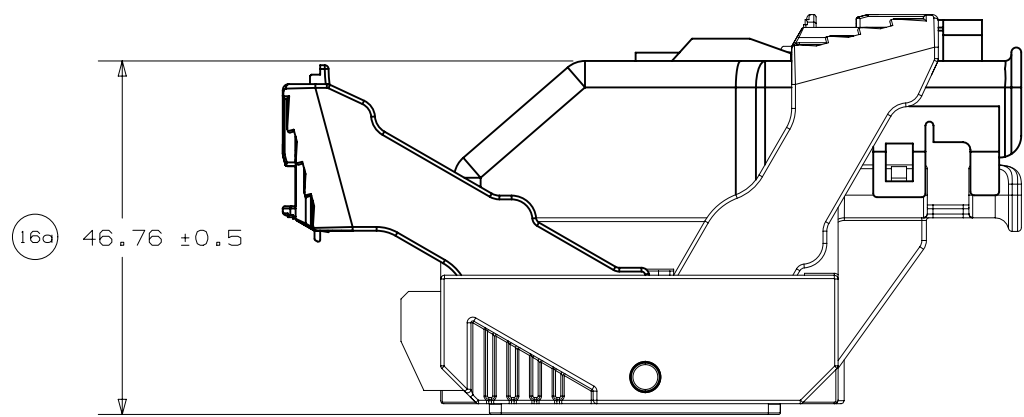
12672832

DWG STATUS

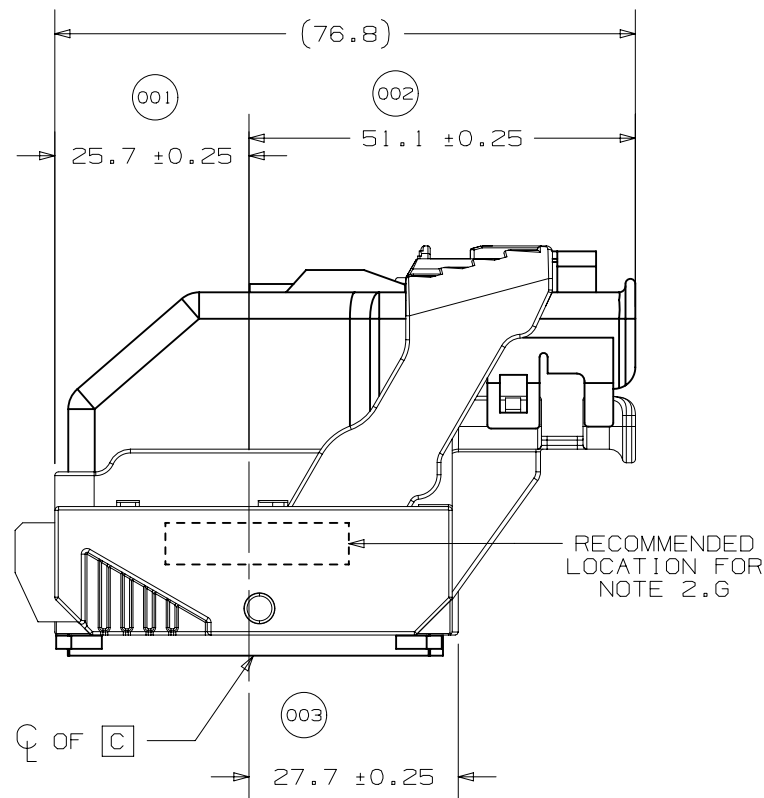
ST	REV	PD1
R	001	

PAGE NUMBER

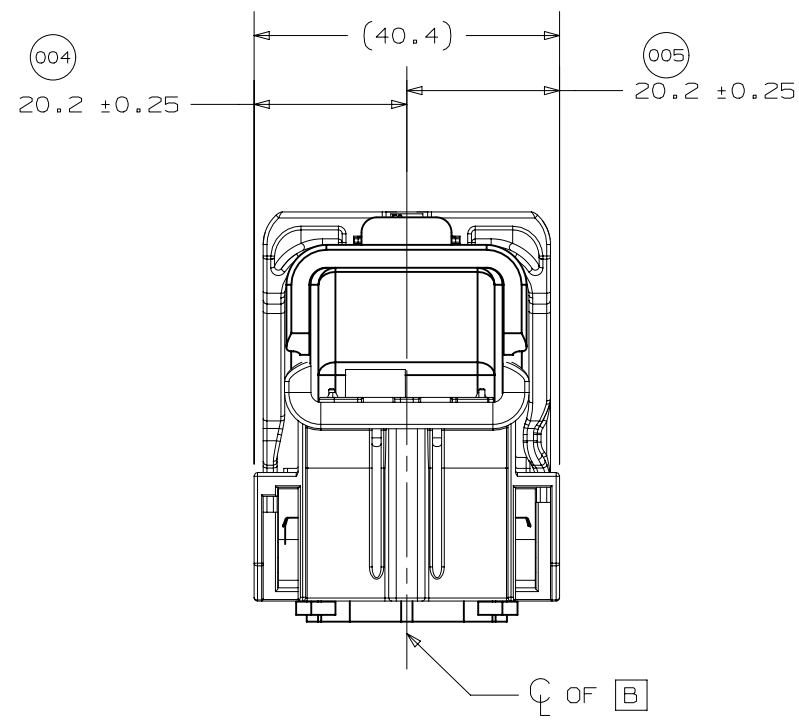
7 of 23



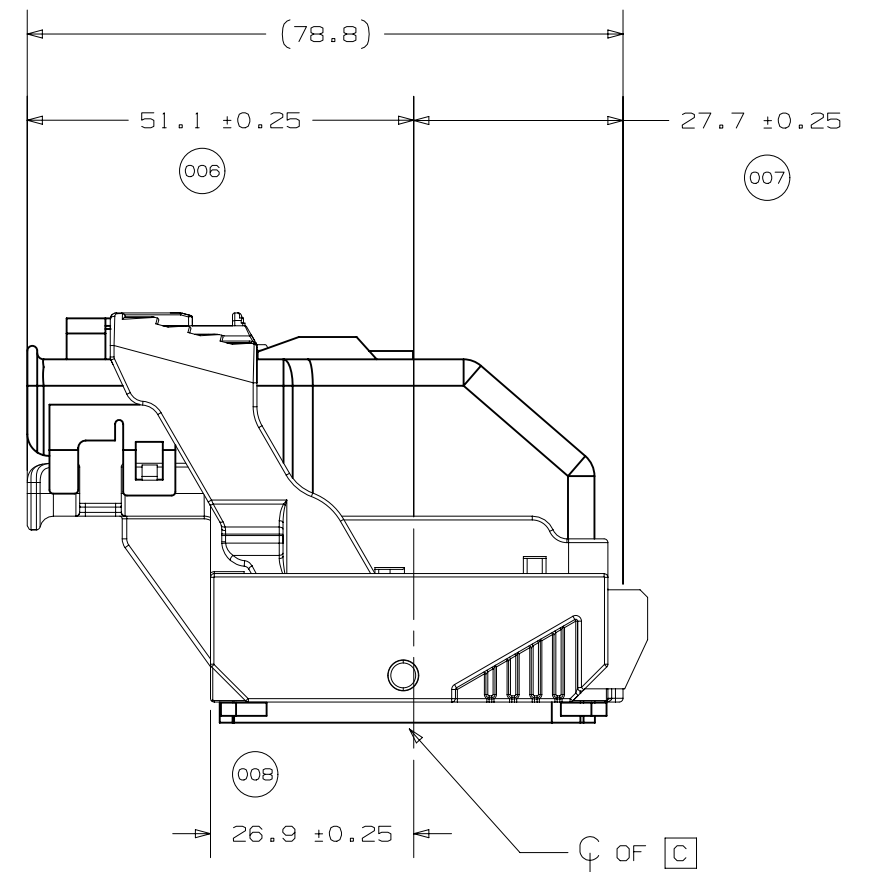




WIRE DRESS OPTION 0 SHOWN

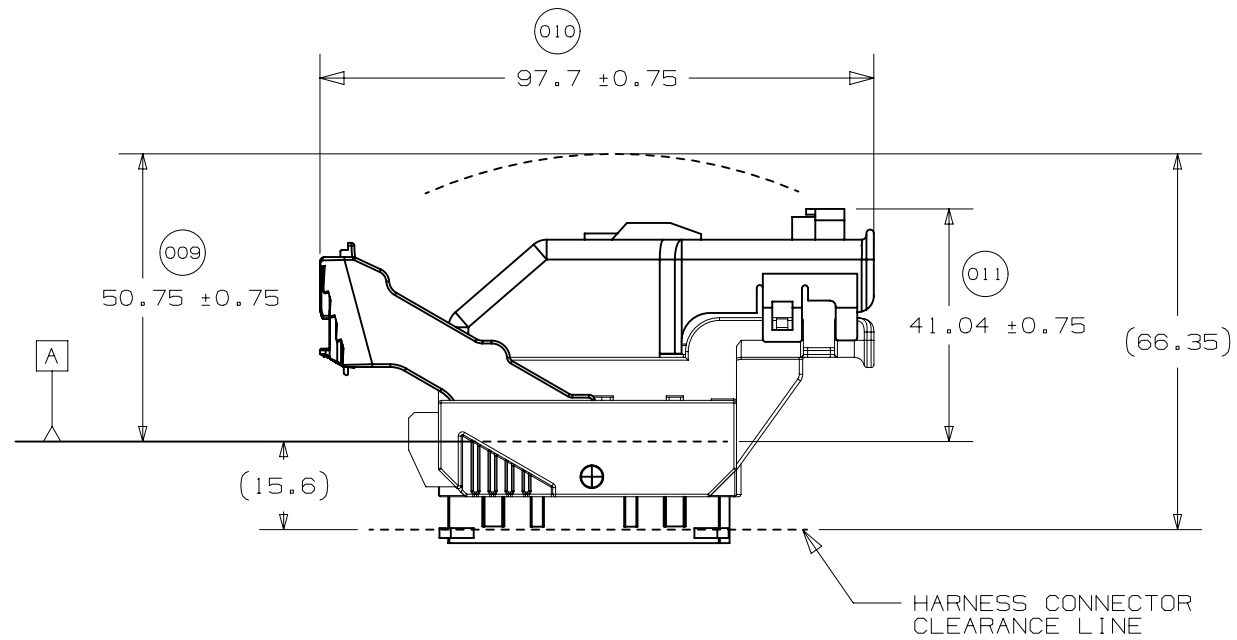
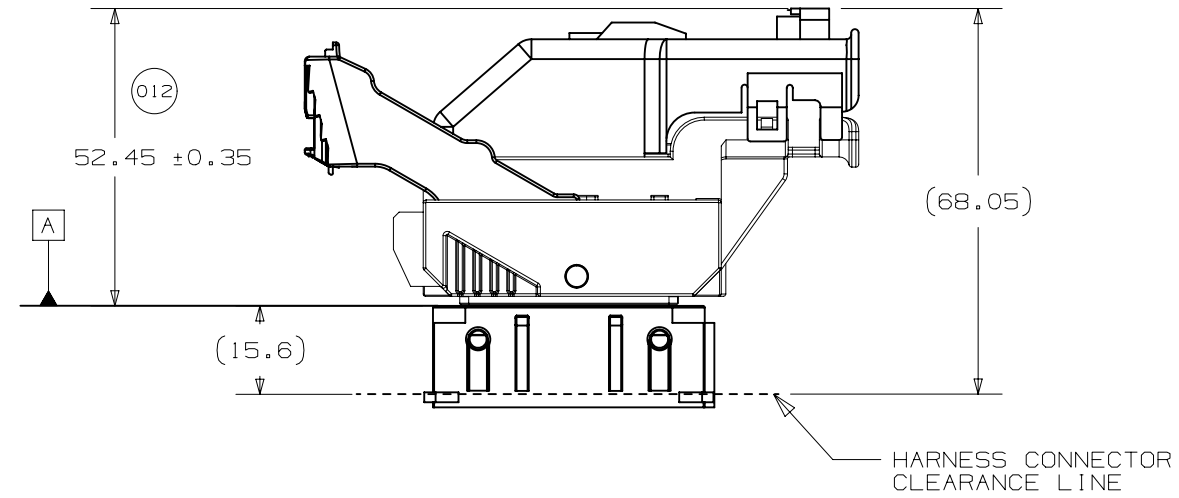


WIRE DRESS OPTION 0 SHOWN

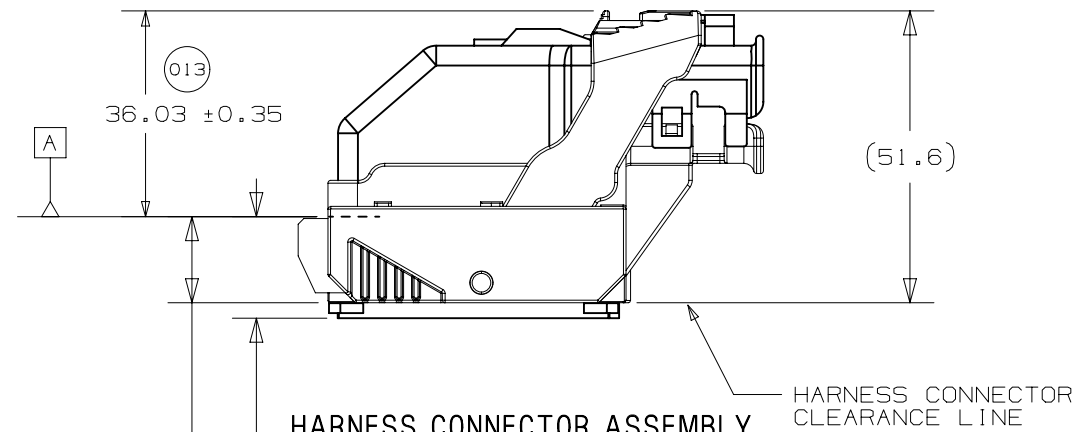


WIRE DRESS OPTION 9 SHOWN





HARNESS CONNECTOR ASSEMBLY  
IN PRE-LOCK POSITION

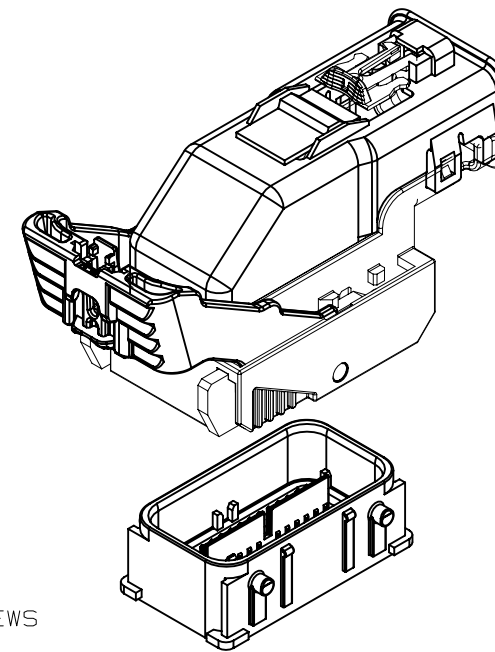
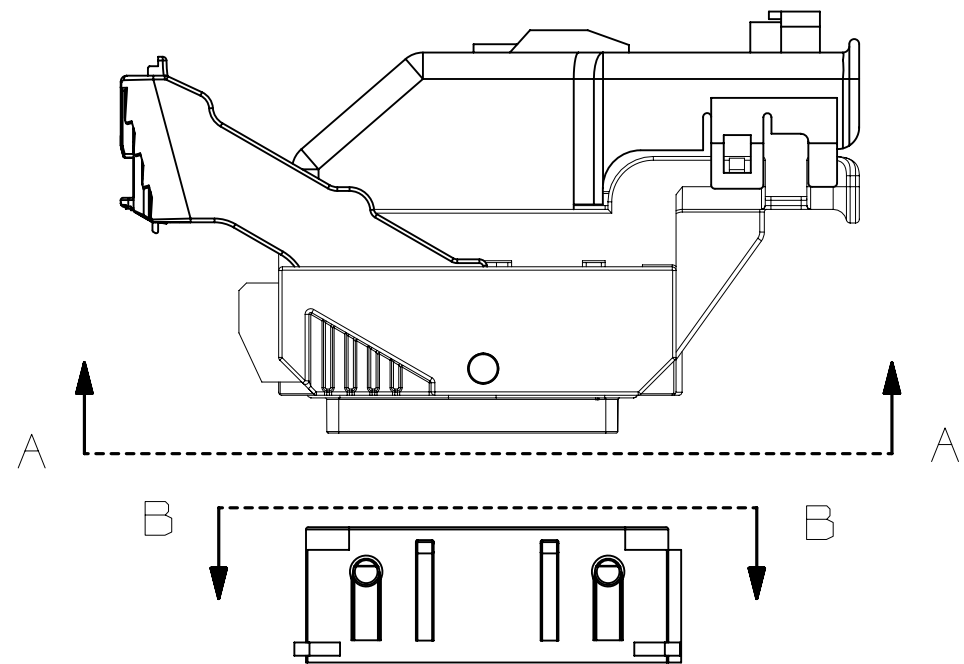


HARNESS CONNECTOR ASSEMBLY  
IN FULLY-MATED POSITION

015 17.9 MIN. AT PAD LOCATION  
CLEARANCE REQUIRED  
FOR HARNESS CONNECTOR,  
CONSTRUCTION BELOW THIS  
PLANE IS NOT CONTROLLED

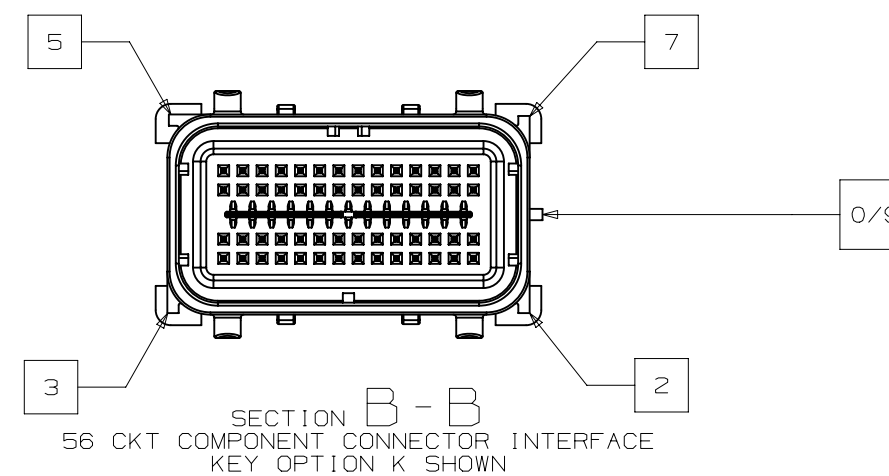
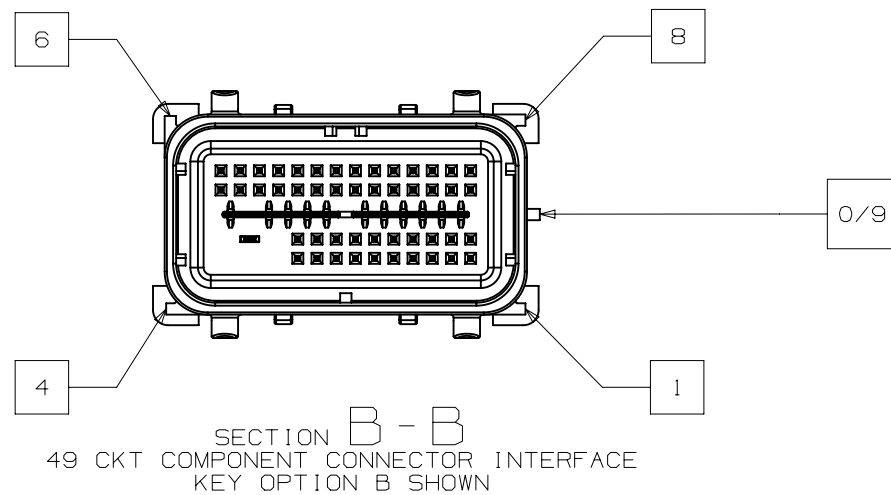
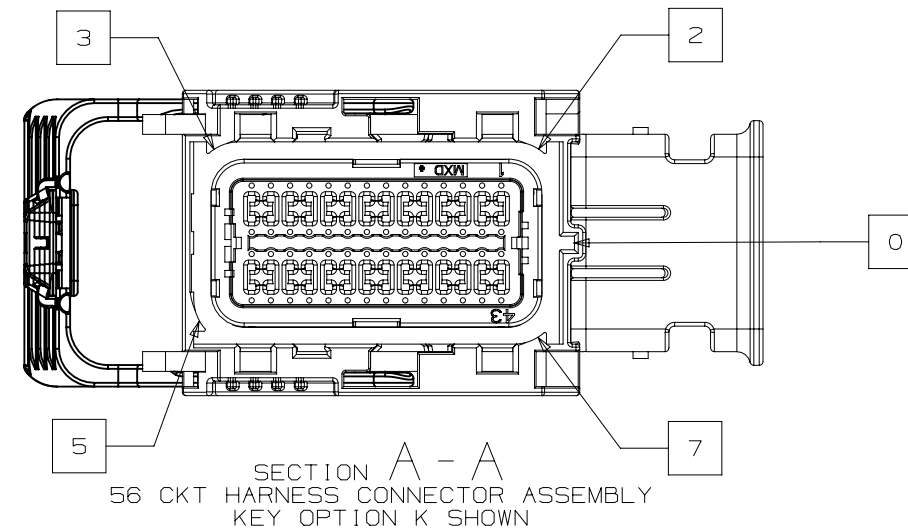
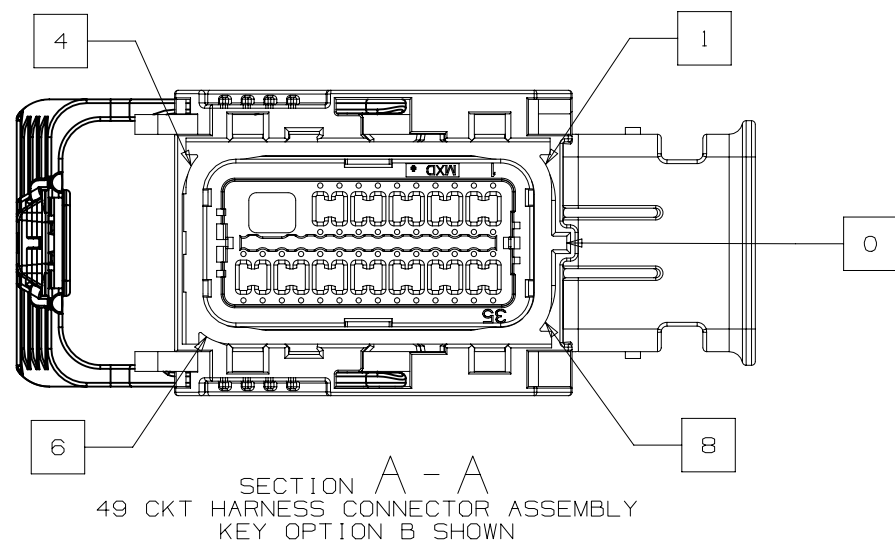
014 15.6 MIN.  
ALL AROUND  
CLEARANCE REQUIRED  
FOR HARNESS CONNECTOR





NOTE: REFERENCE THE COMPONENT TABLE FOR KEY OPTIONS AND CONFIGURATIONS

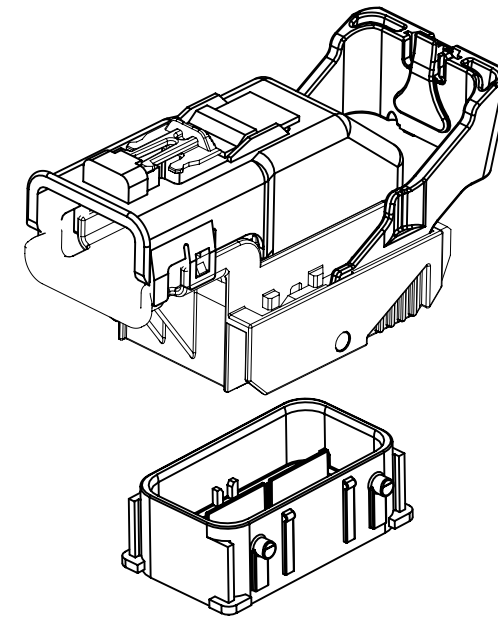
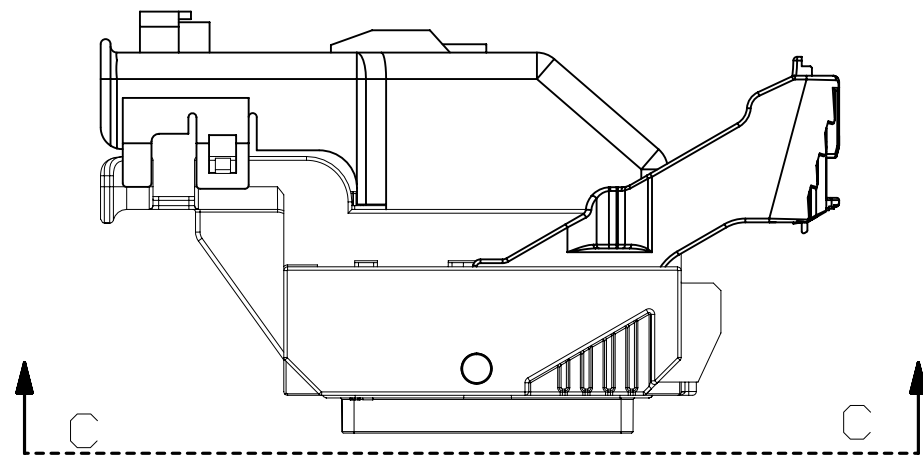
INTERFACE SIDE SHOWN IN ALL SECTION VIEWS



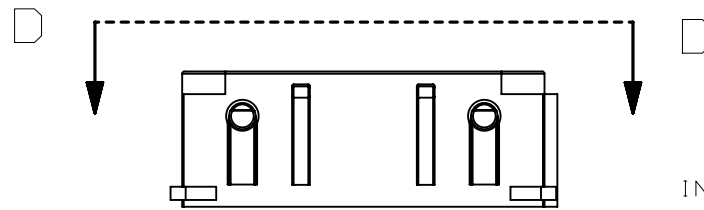
PAGE TITLE  
KEY ID REF - WIRE DRESS OPTION 0

DRAWING NUMBER  
12672832

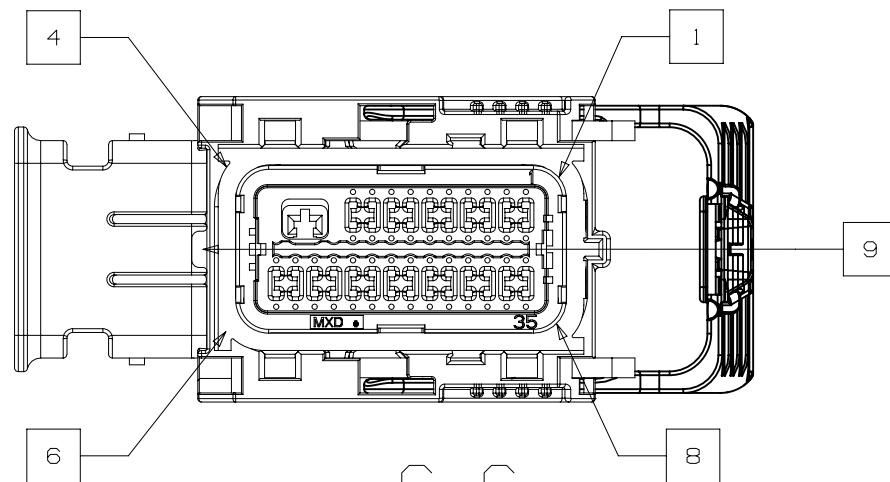
DWG STATUS			PAGE NUMBER	
ST	REV	PD1	11	OF 23
R	001			



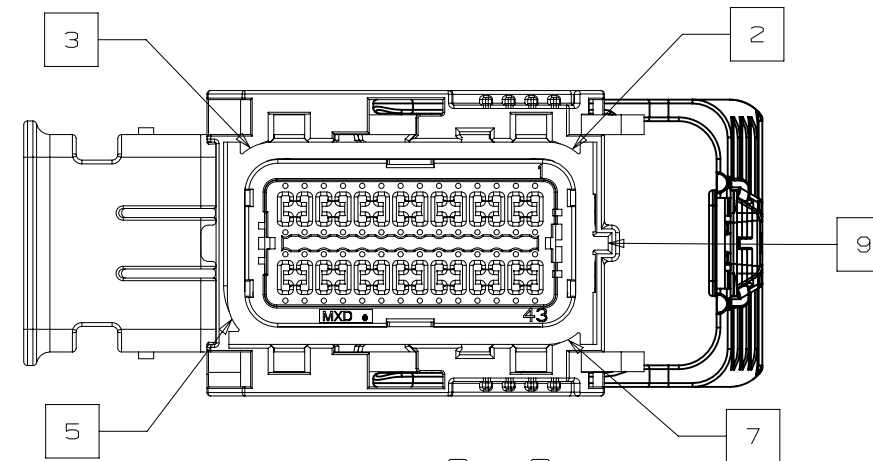
NOTE: REFERENCE THE COMPONENT TABLE FOR KEY OPTIONS AND CONFIGURATIONS



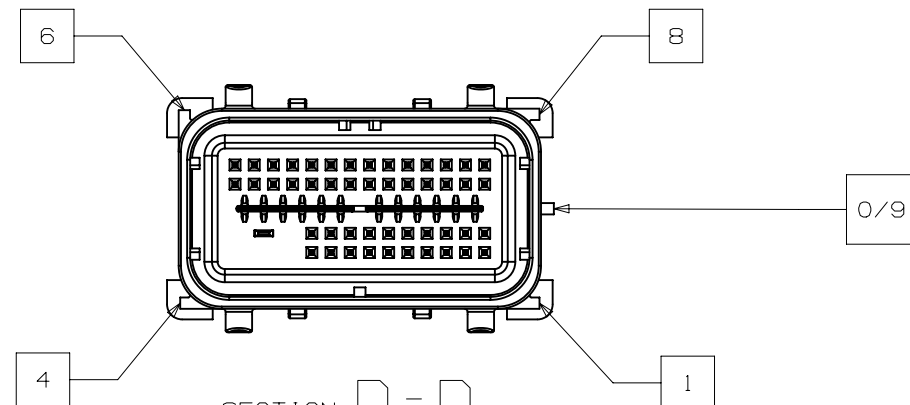
INTERFACE SIDE SHOWN ON ALL SECTION VIEWS



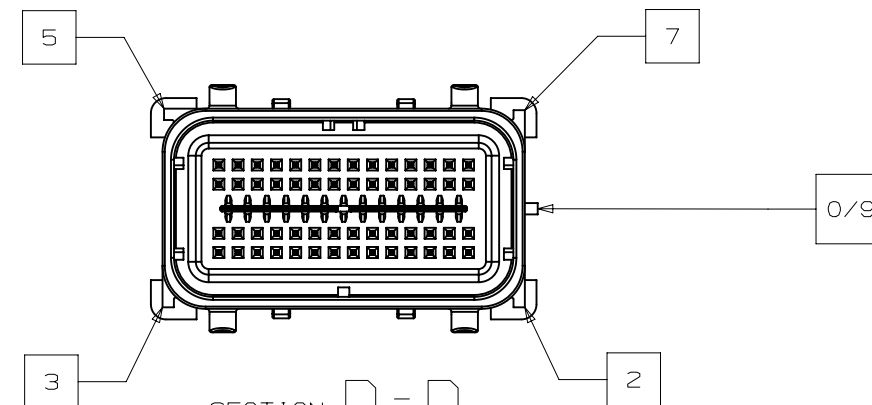
SECTION C - C  
49 CKT HARNESS CONNECTOR ASSEMBLY  
KEY OPTION B SHOWN



SECTION C - C  
56 CKT HARNESS CONNECTOR ASSEMBLY  
KEY OPTION K SHOWN



SECTION D - D  
49 CKT COMPONENT CONNECTOR INTERFACE  
KEY OPTION B SHOWN



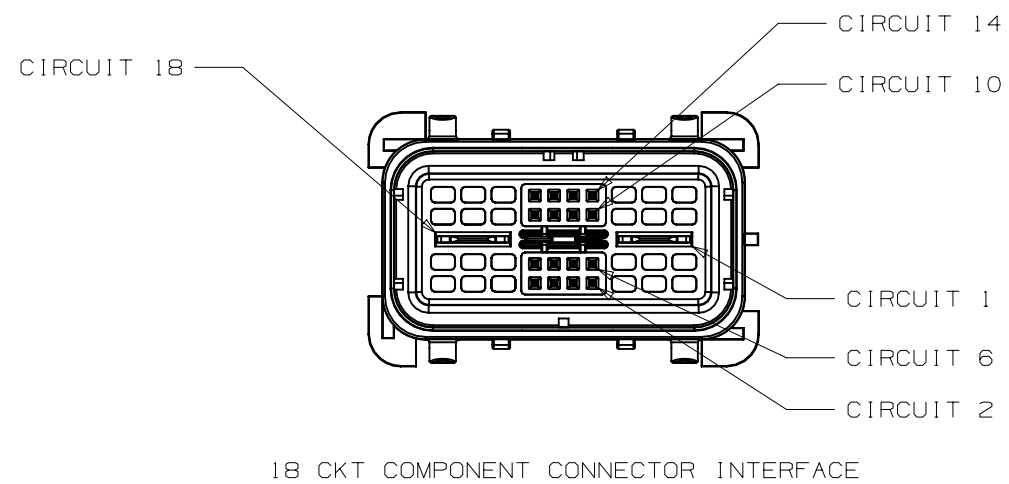
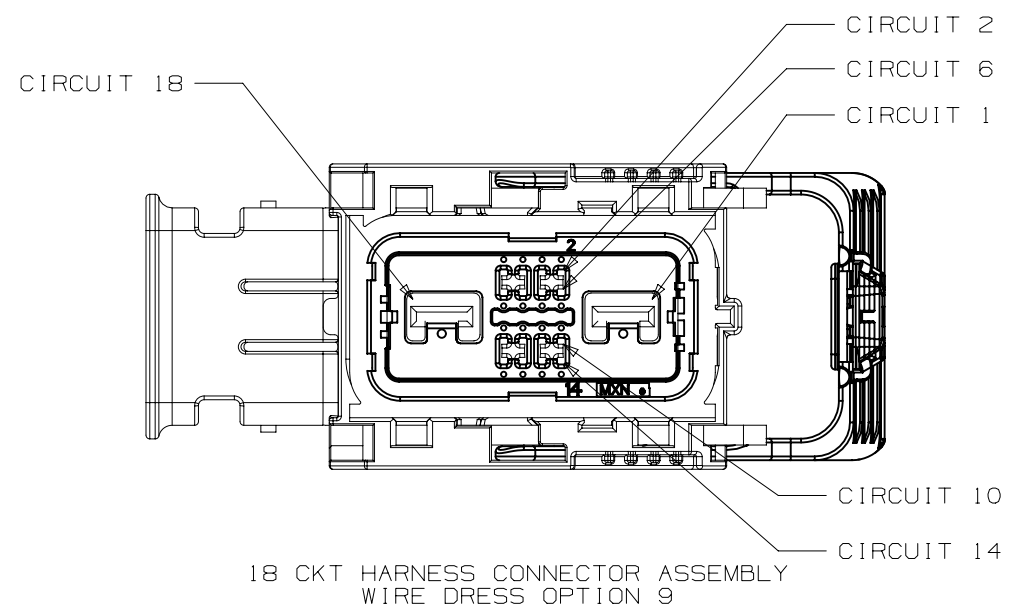
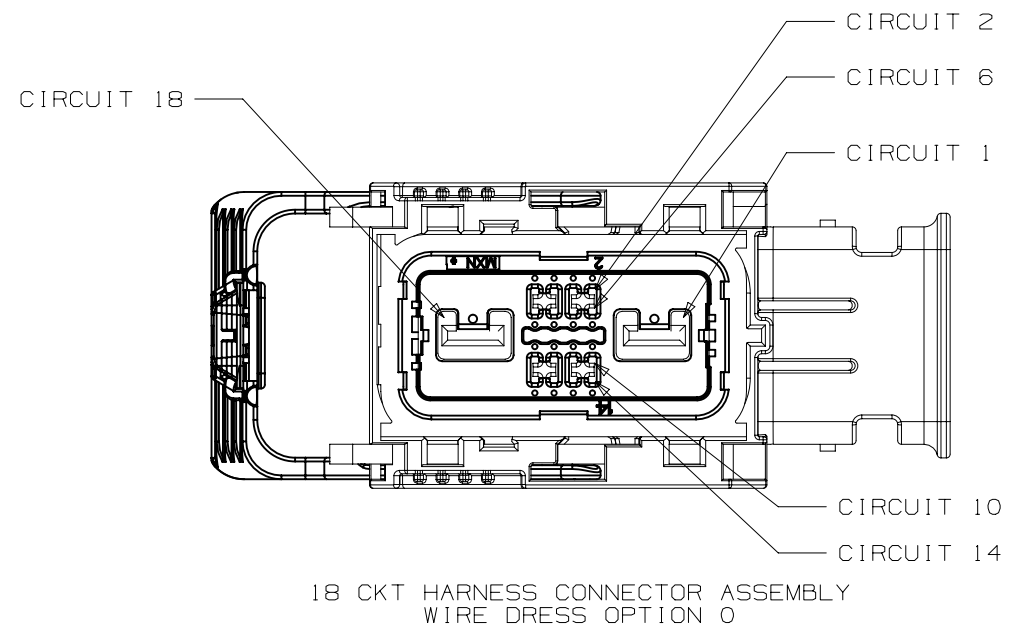
SECTION D - D  
56 CKT COMPONENT CONNECTOR INTERFACE  
KEY OPTION K SHOWN



PAGE TITLE  
KEY ID REF - WIRE DRESS OPTION 9

DRAWING NUMBER  
12672832

DWG STATUS			PAGE NUMBER
ST	REV	PD1	
R	001		12 of 23



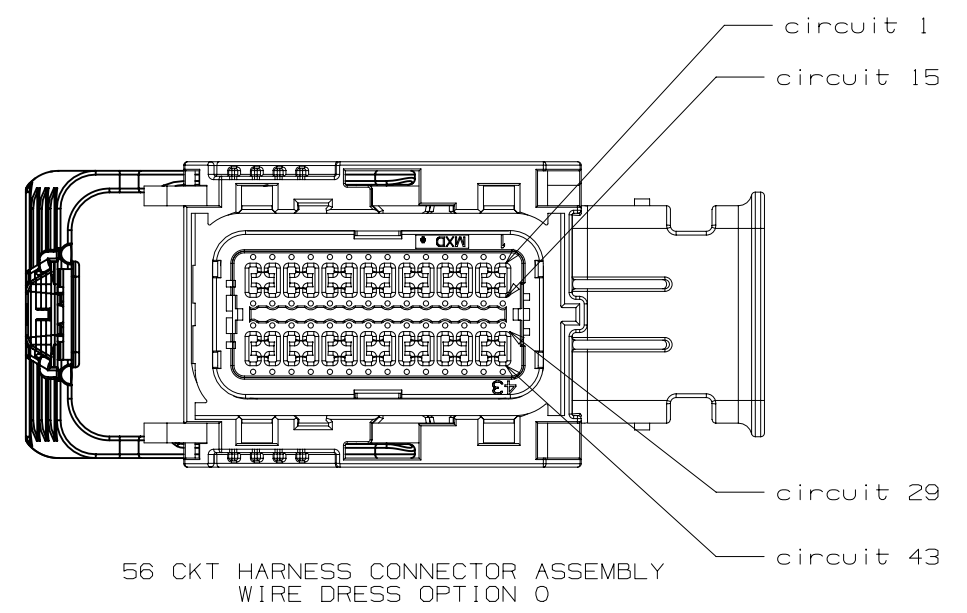
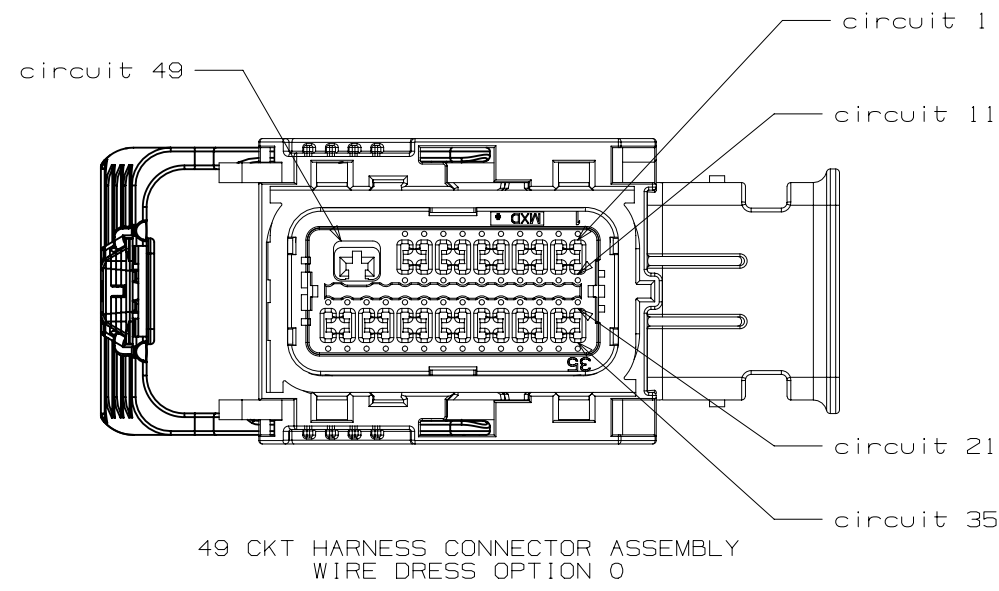
INTERFACE SIDE SHOWN ON ALL VIEWS



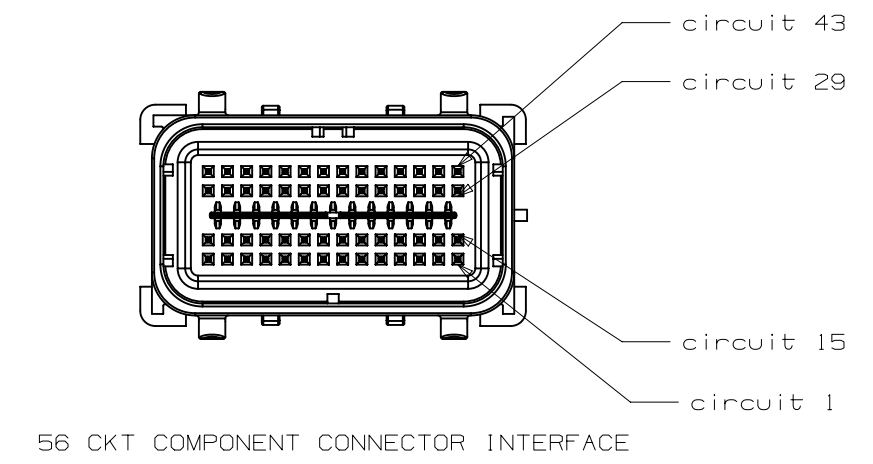
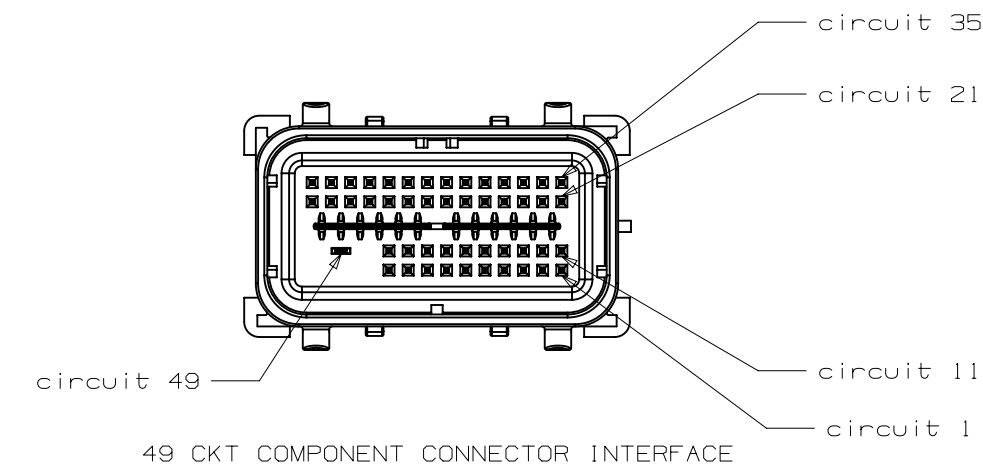
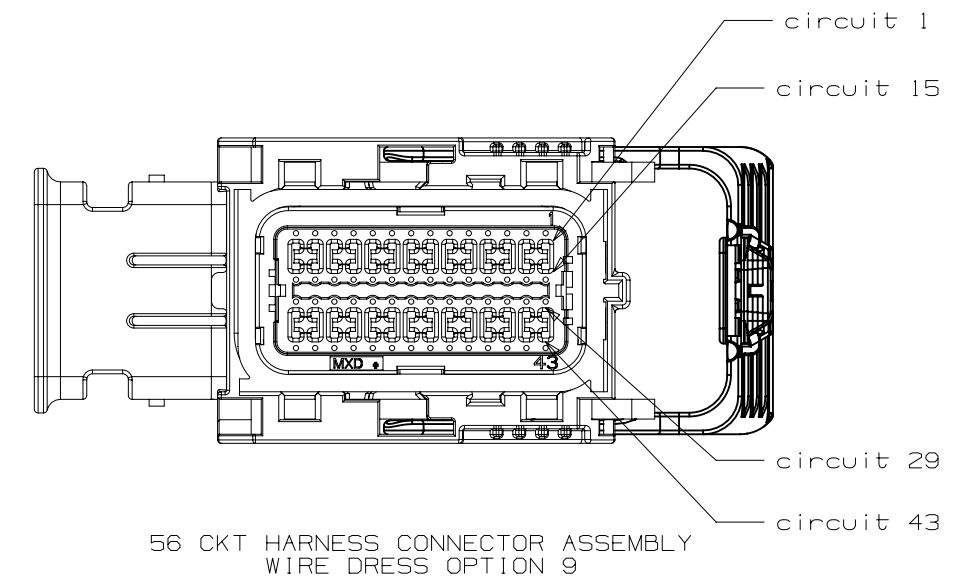
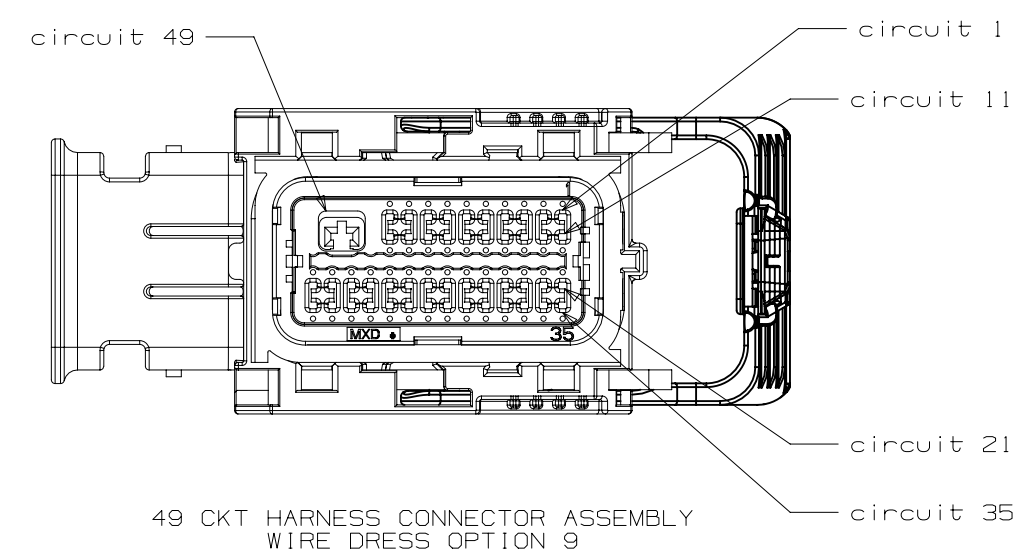
PAGE TITLE  
CIRCUIT CONFIGURATIONS

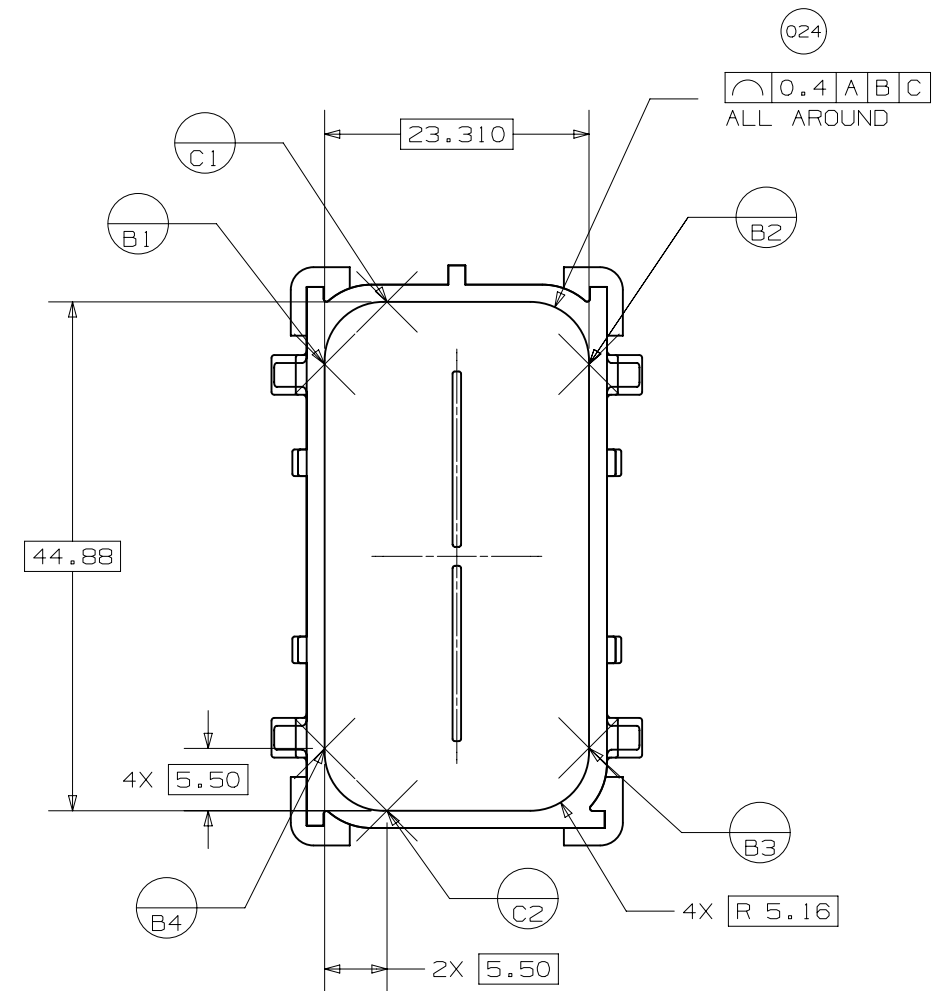
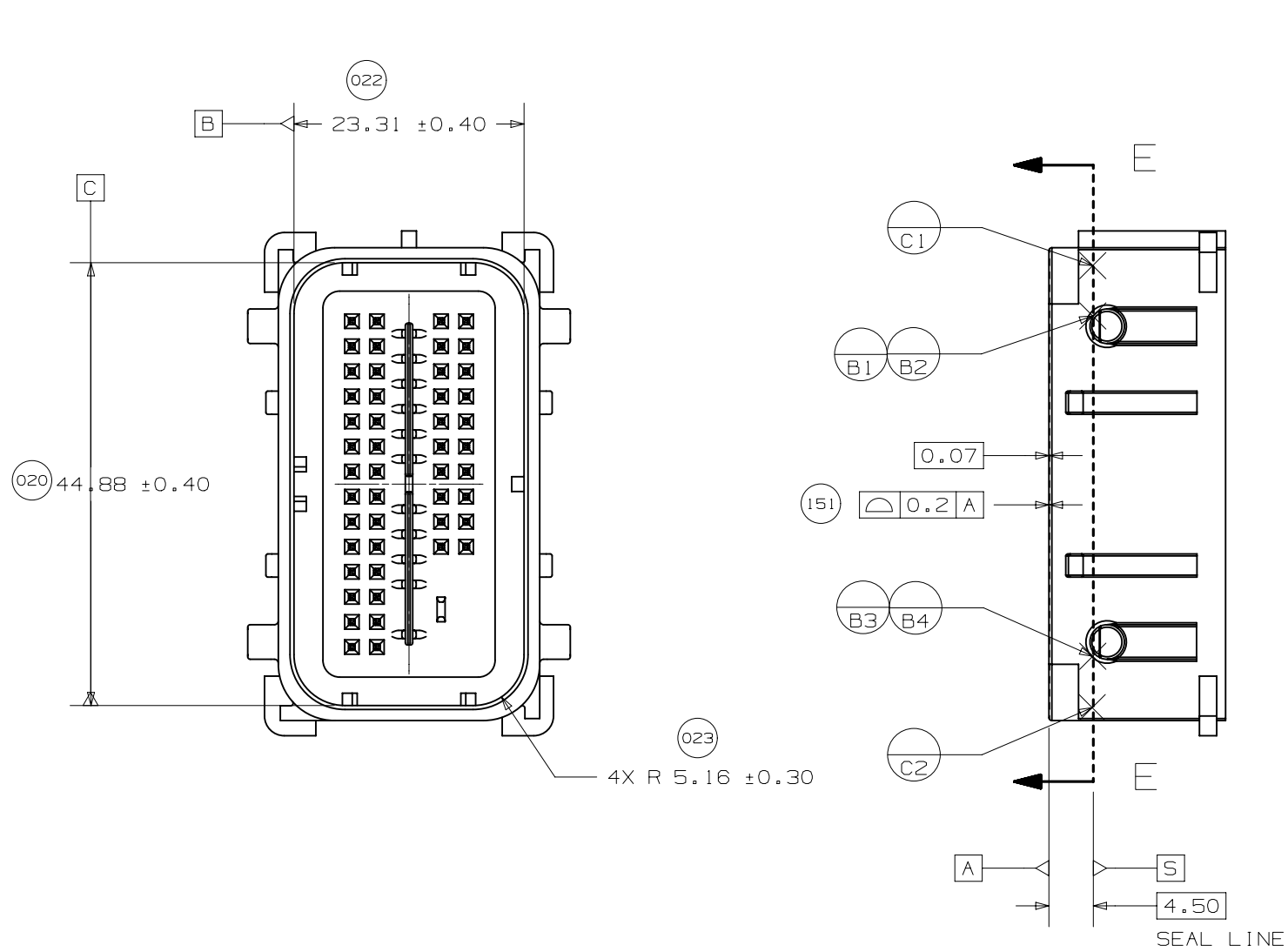
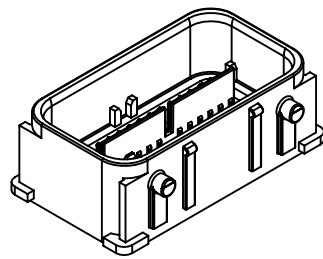
DRAWING NUMBER  
12672832

DWG STATUS			PAGE NUMBER	
ST	REV	PDI	13	OF 23
R	001			



INTERFACE SIDE SHOWN ON ALL VIEWS





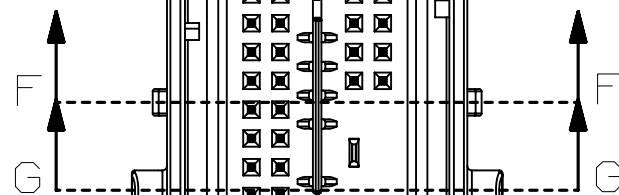
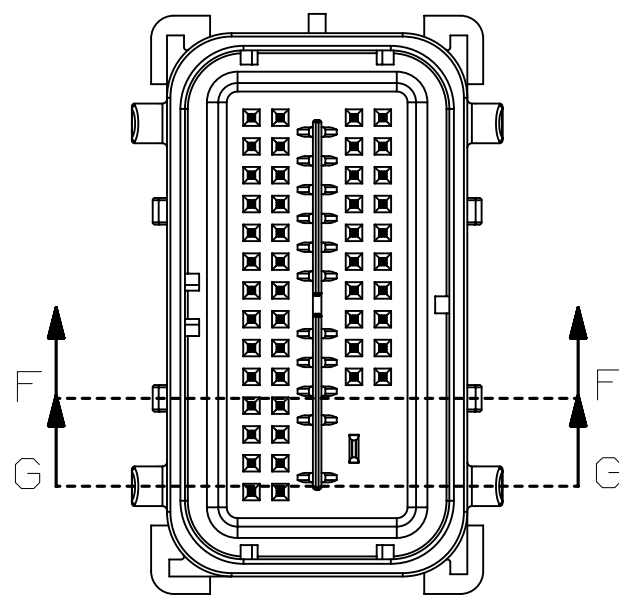
UNLESS SPECIFIED, TOLERANCE OF THE DEVICE INTERFACE TO BE  $\triangle 0.13 \text{ A B C}$



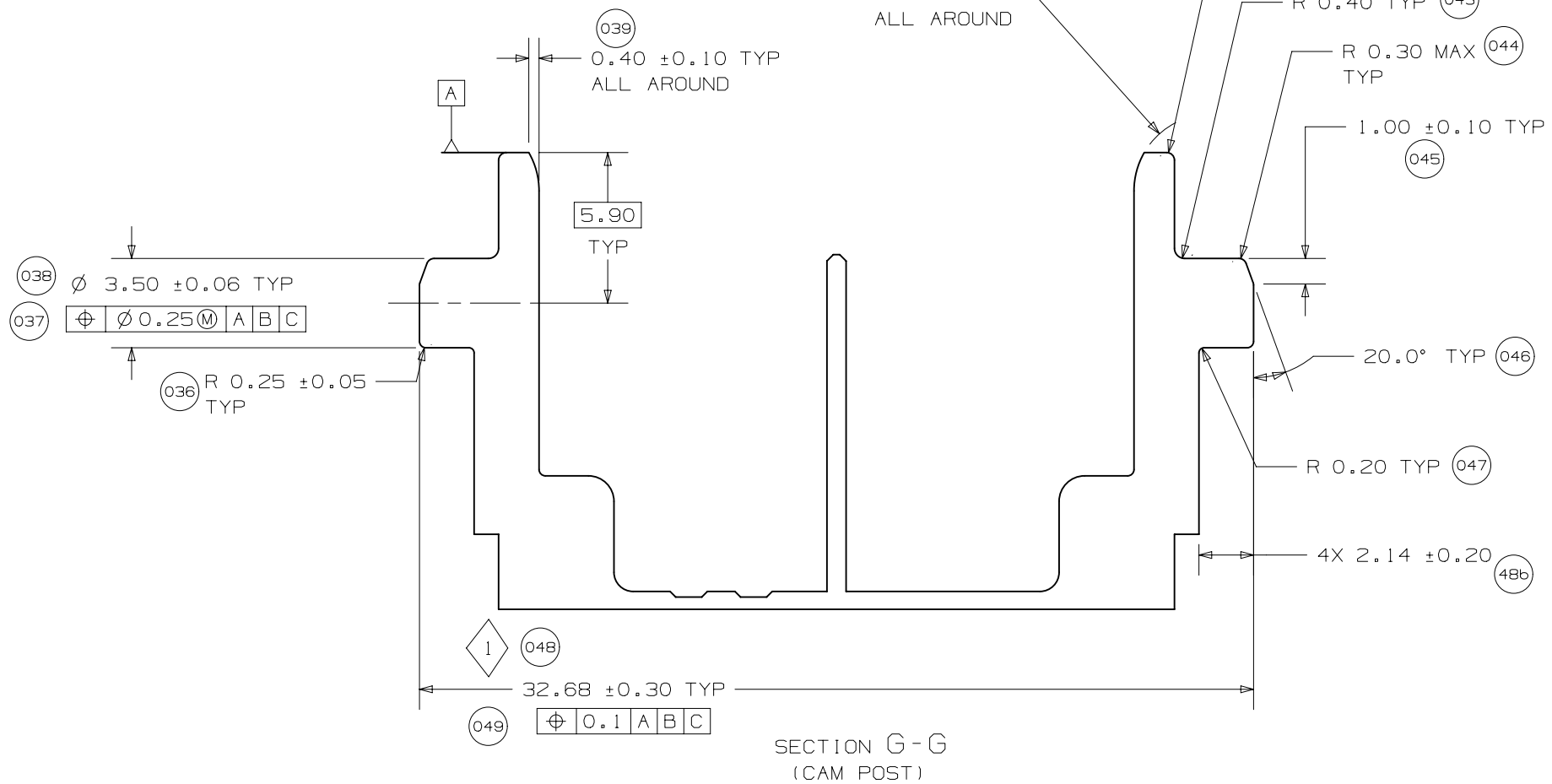
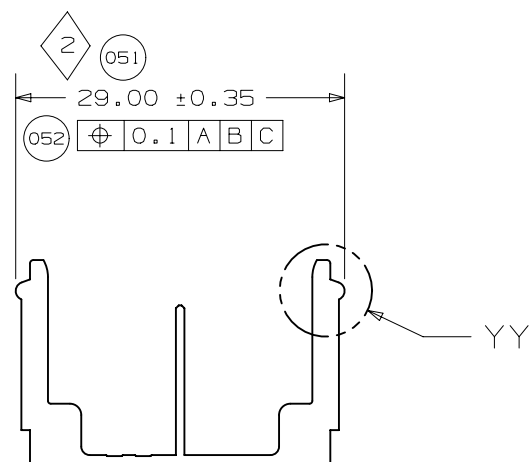
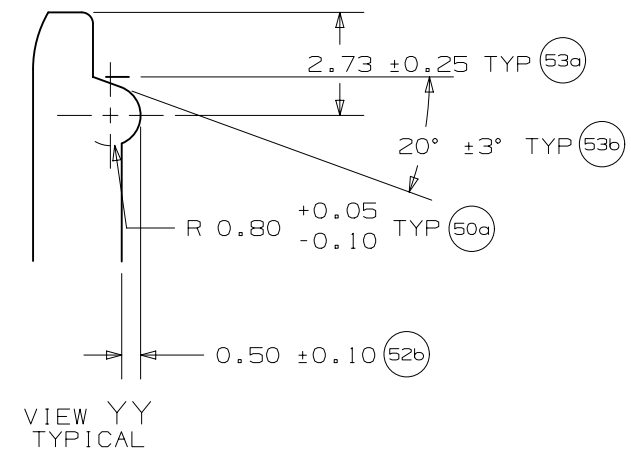
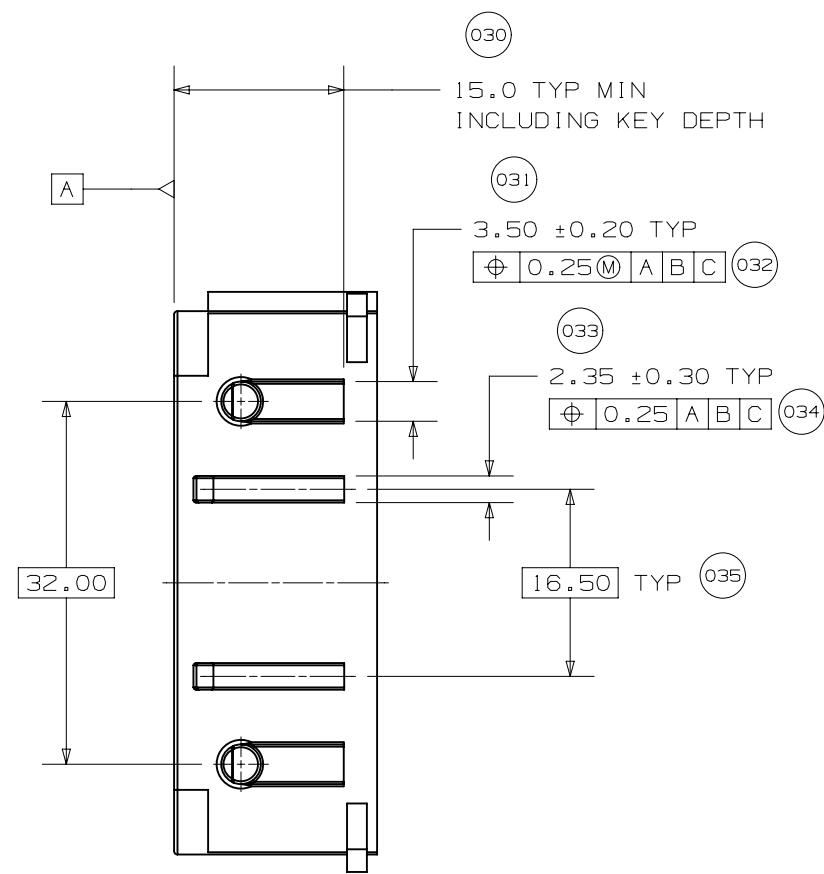
PAGE TITLE  
COMPONENT CONNECTOR INTERFACE

DRAWING NUMBER  
12672832

DWG STATUS			PAGE NUMBER
ST	REV	PD1	
R	001		15 of 23



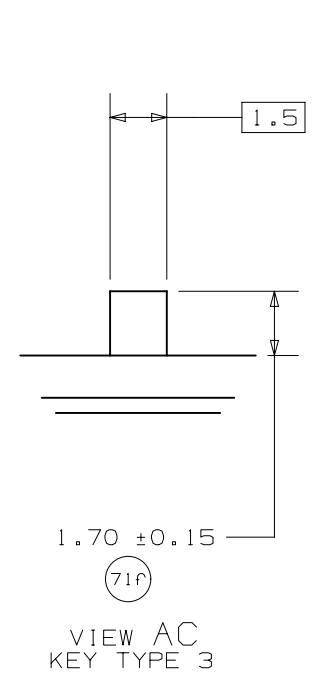
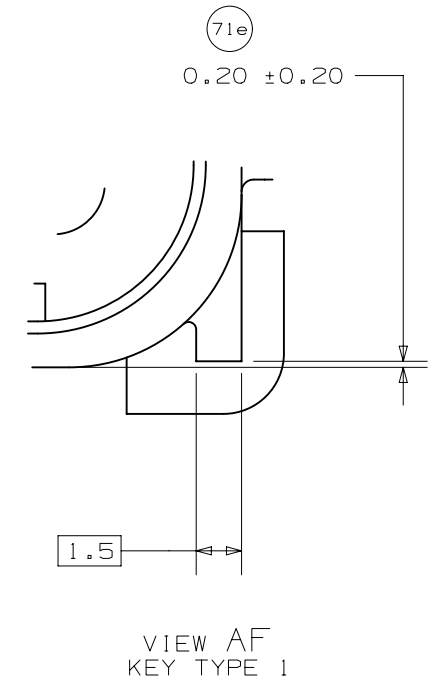
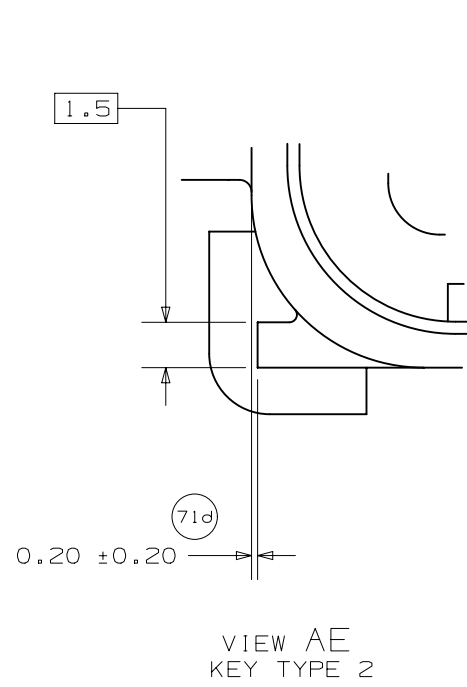
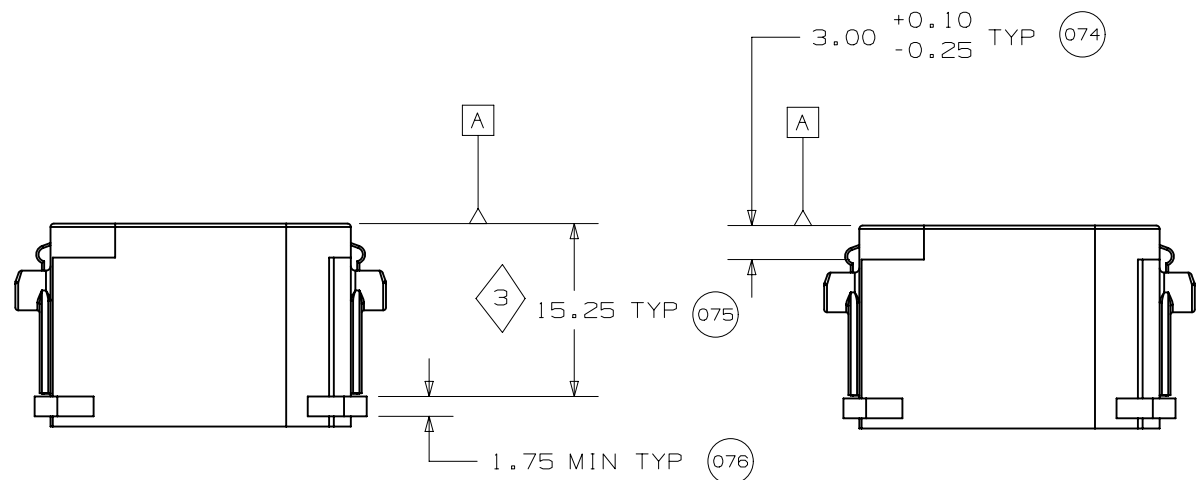
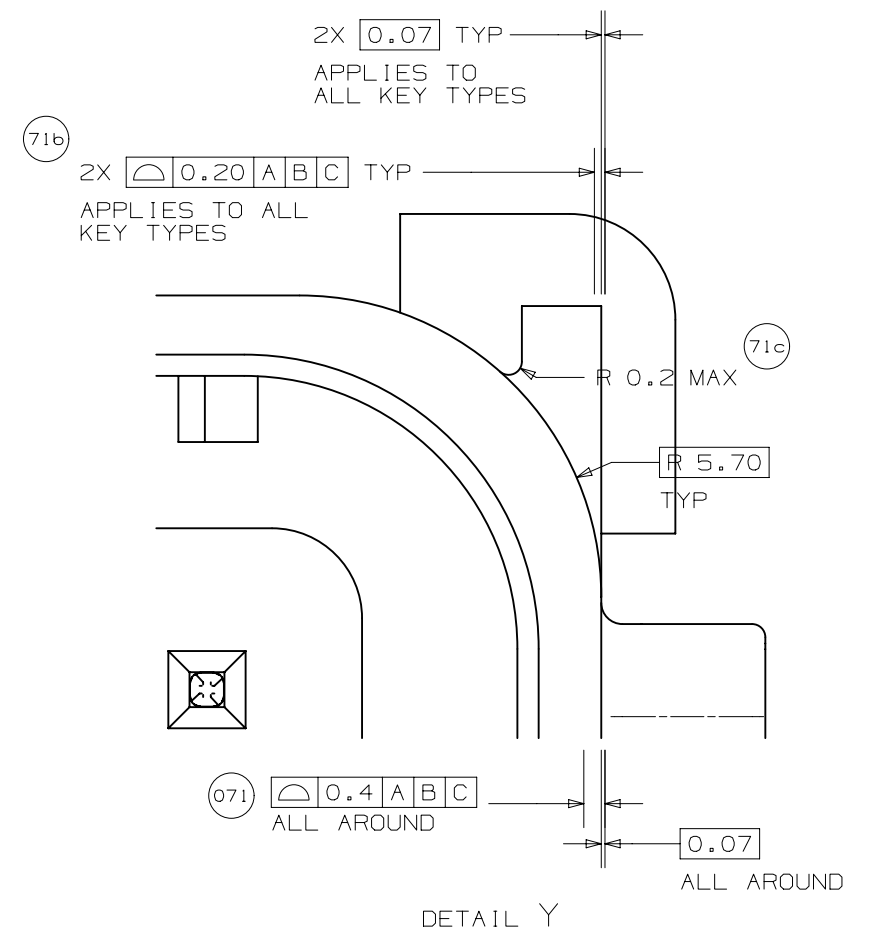
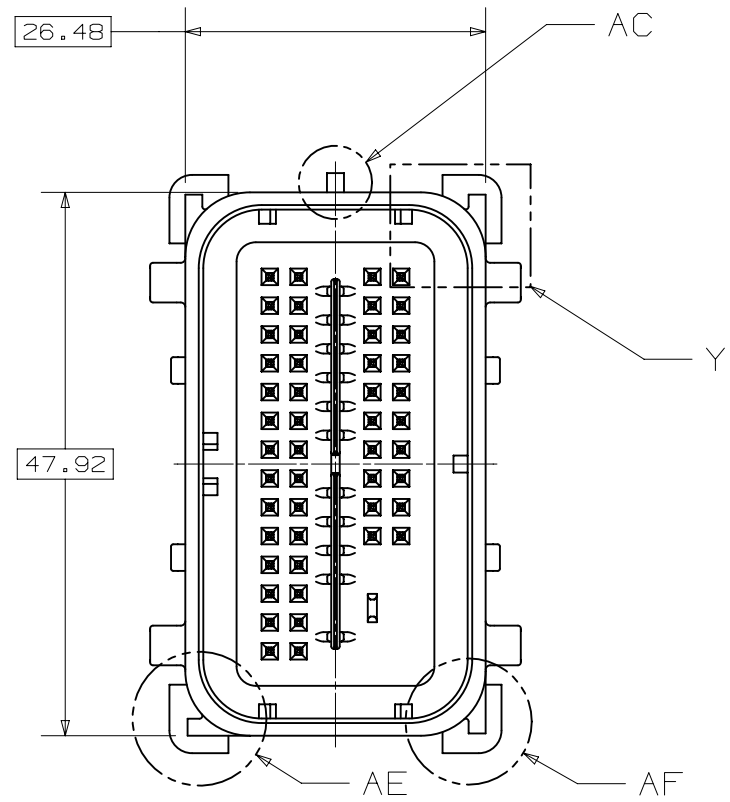
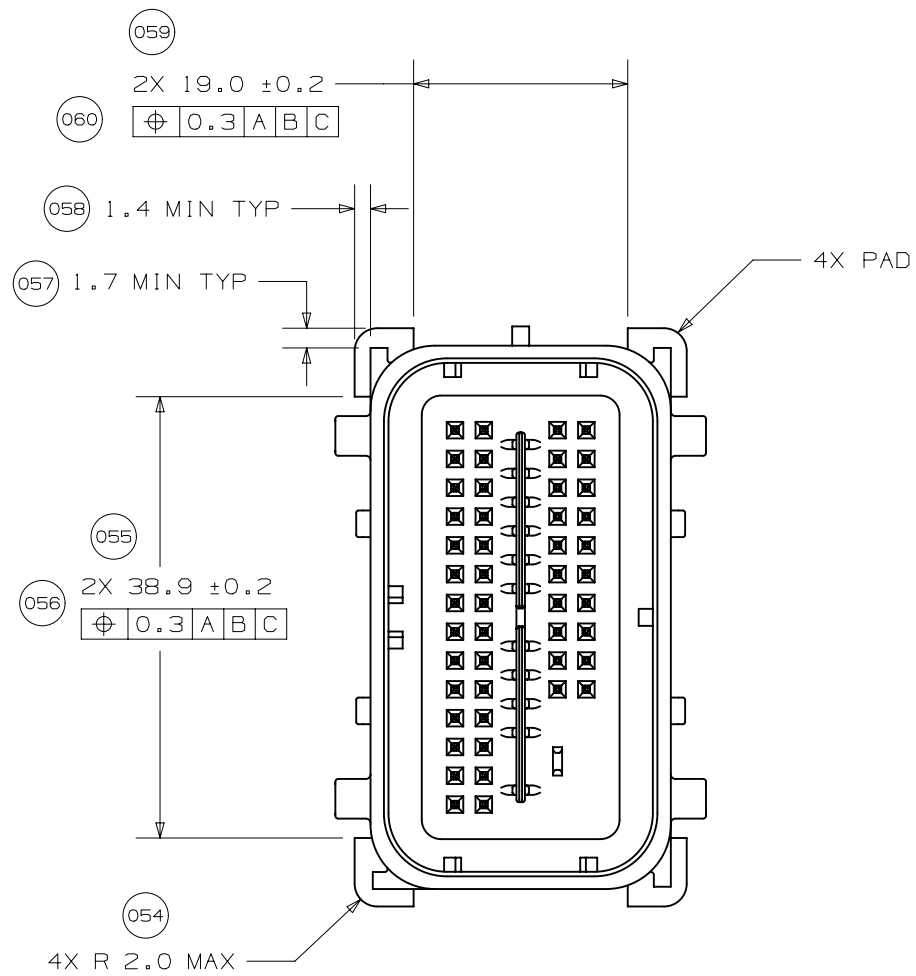
SECTION F - F  
(RELEASE FEATURE)

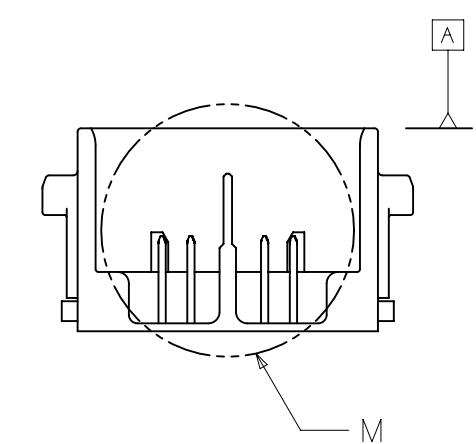
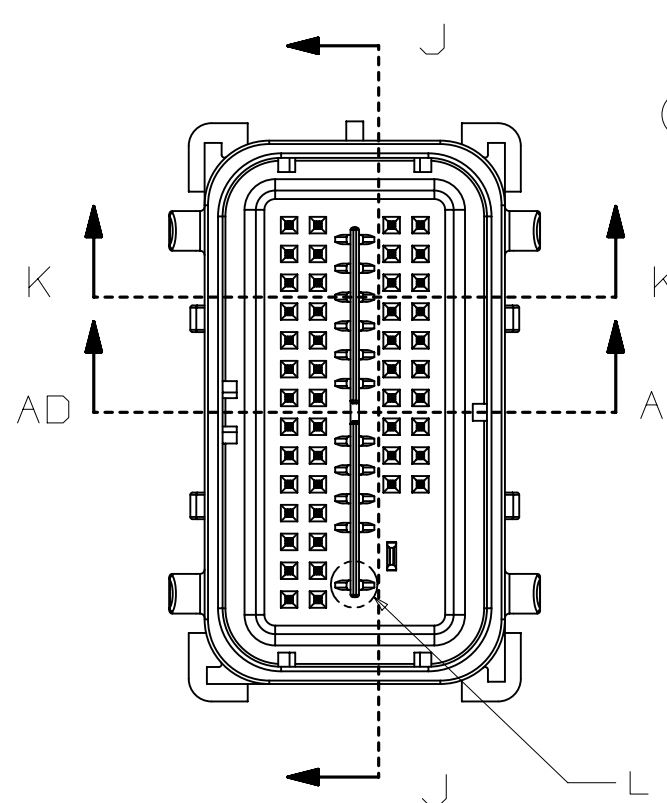


SECTION G - G  
(CAM POST)

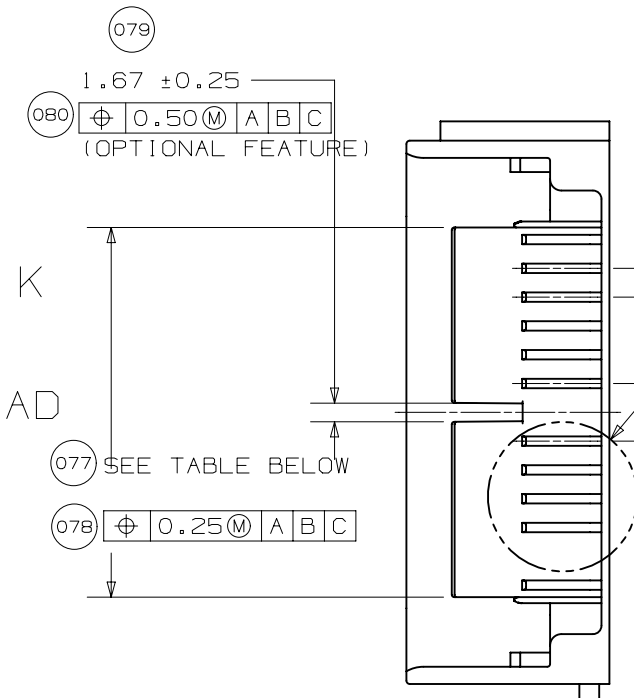






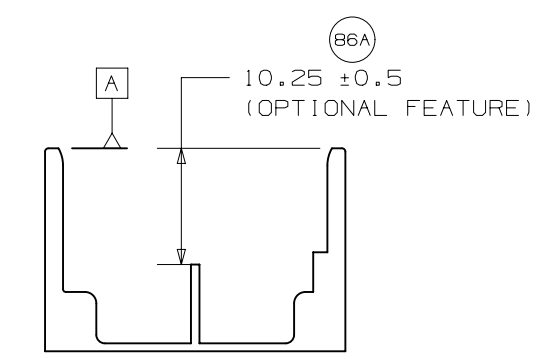


SECTION K-K



SECTION J-J

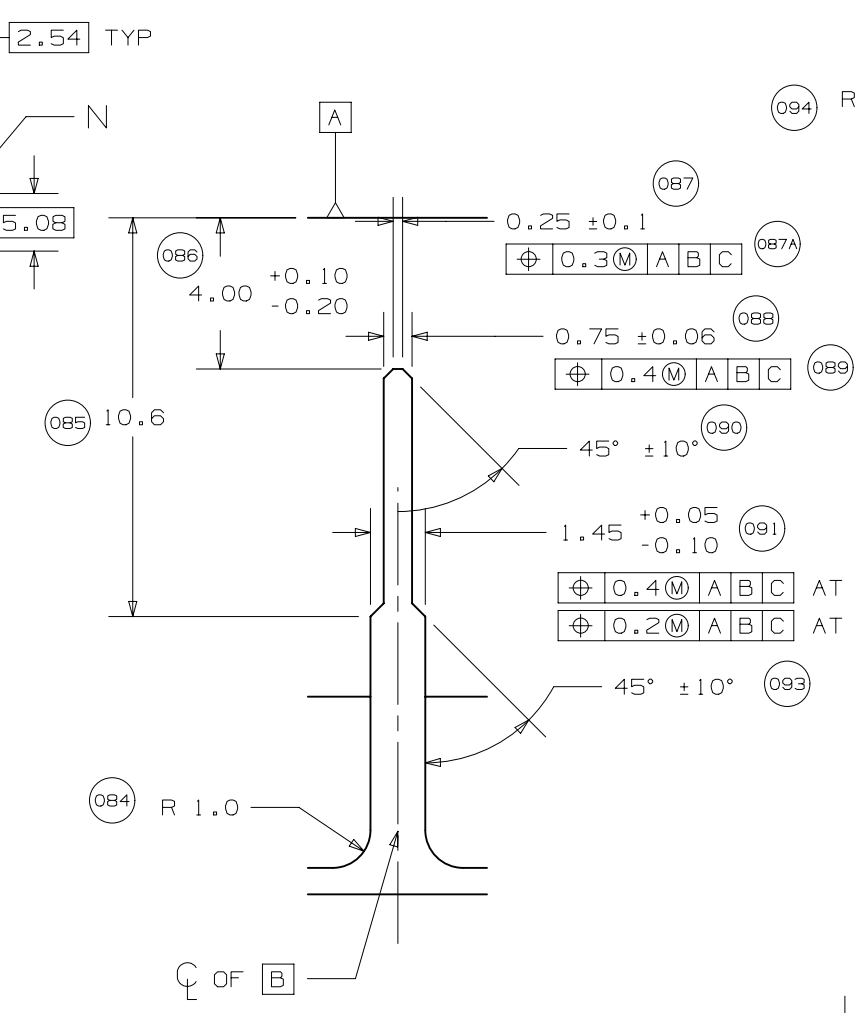
079 1.67 ±0.25  
 080  $\Phi$  0.50 (M) A B C  
 (OPTIONAL FEATURE)  
 077 SEE TABLE BELOW  
 078  $\Phi$  0.25 (M) A B C



SECTION AD-AD

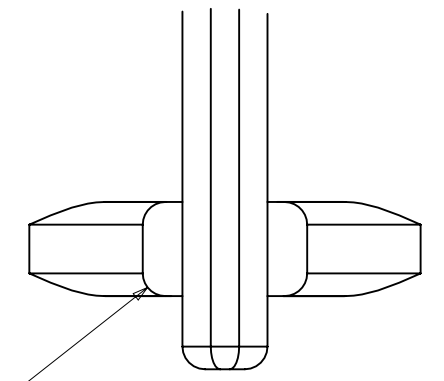
086A 10.25 ±0.5  
 (OPTIONAL FEATURE)

CKT	DIM 077
49 / 56 CKT	32.60 +0.10/-0.60
18 CKT	10.04 +0.10/-0.60



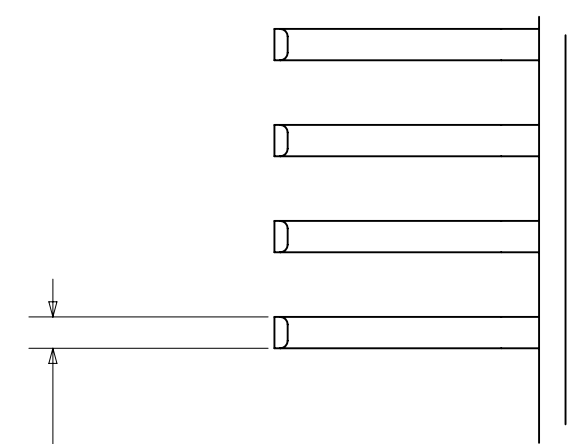
VIEW M TYPICAL

086 4.00 +0.10/-0.20  
 087 0.25 ±0.1  
 $\Phi$  0.3 (M) A B C 087A  
 088 0.75 ±0.06  
 $\Phi$  0.4 (M) A B C 089  
 085 10.6  
 45° ±10° 090  
 1.45 +0.05/-0.10 091  
 $\Phi$  0.4 (M) A B C AT TOP 092  
 $\Phi$  0.2 (M) A B C AT BOTTOM 092A  
 45° ±10° 093  
 084 R 1.0  
 CL OF B



VIEW L

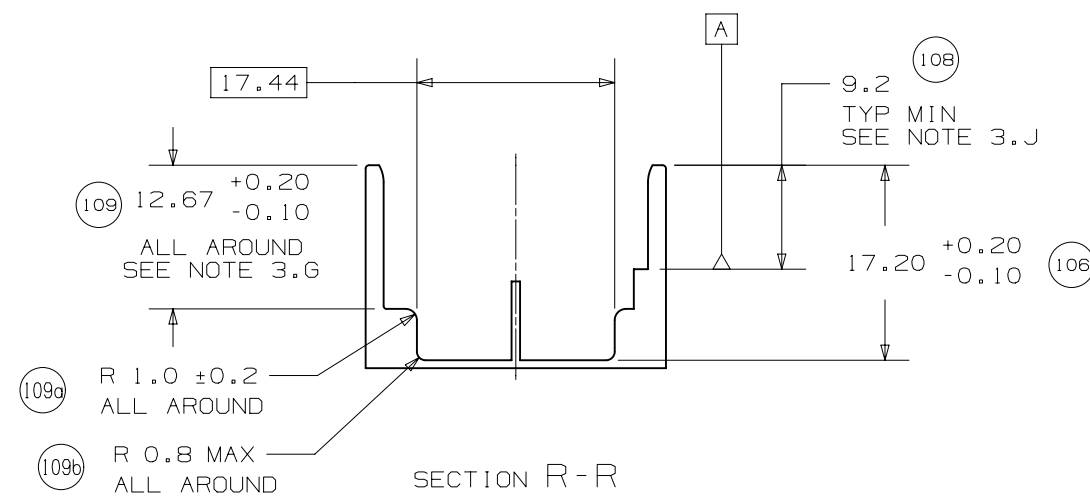
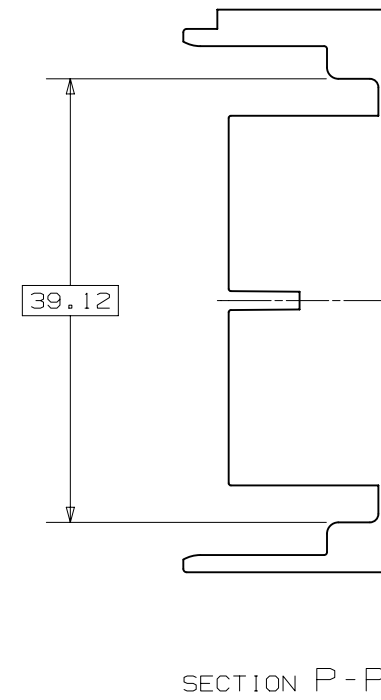
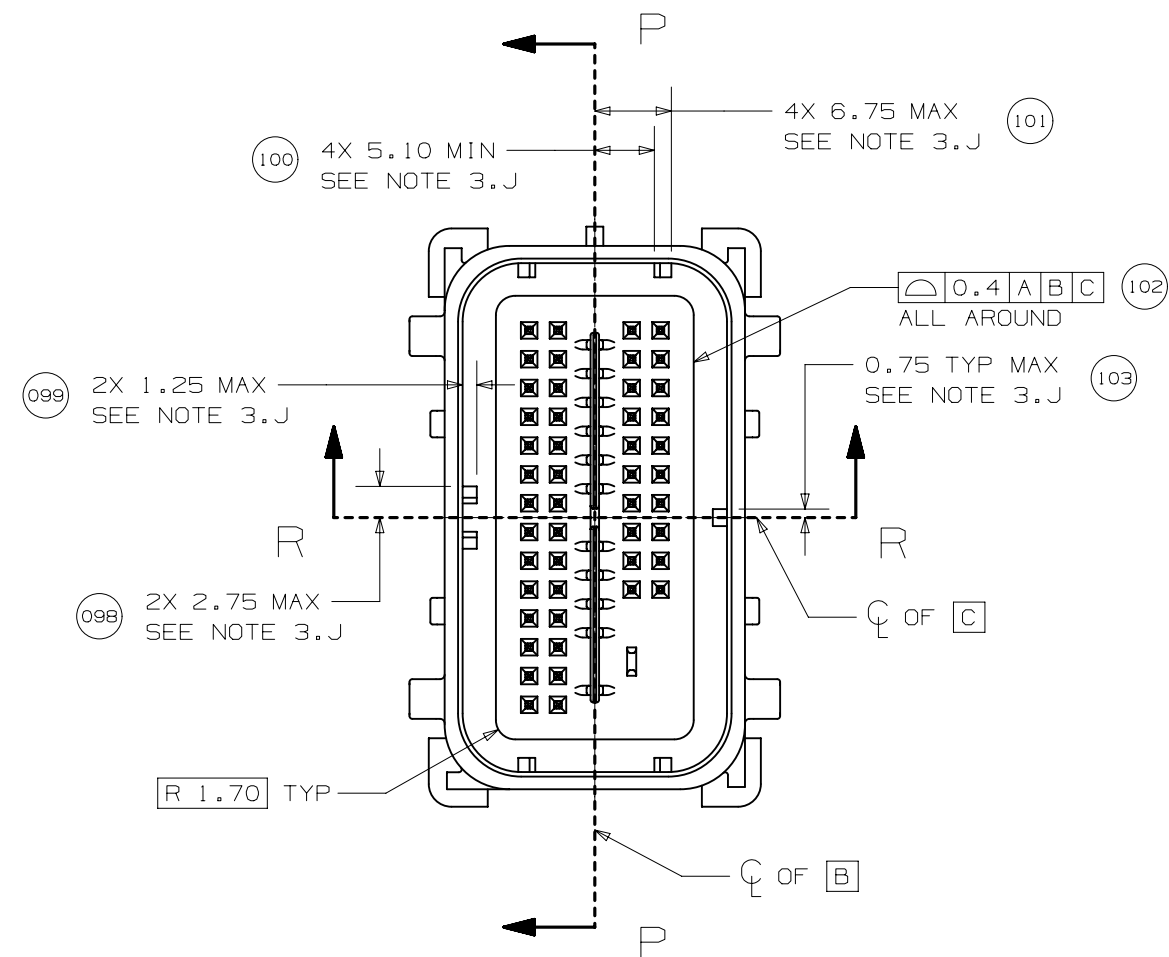
094 R 0.20 TYP

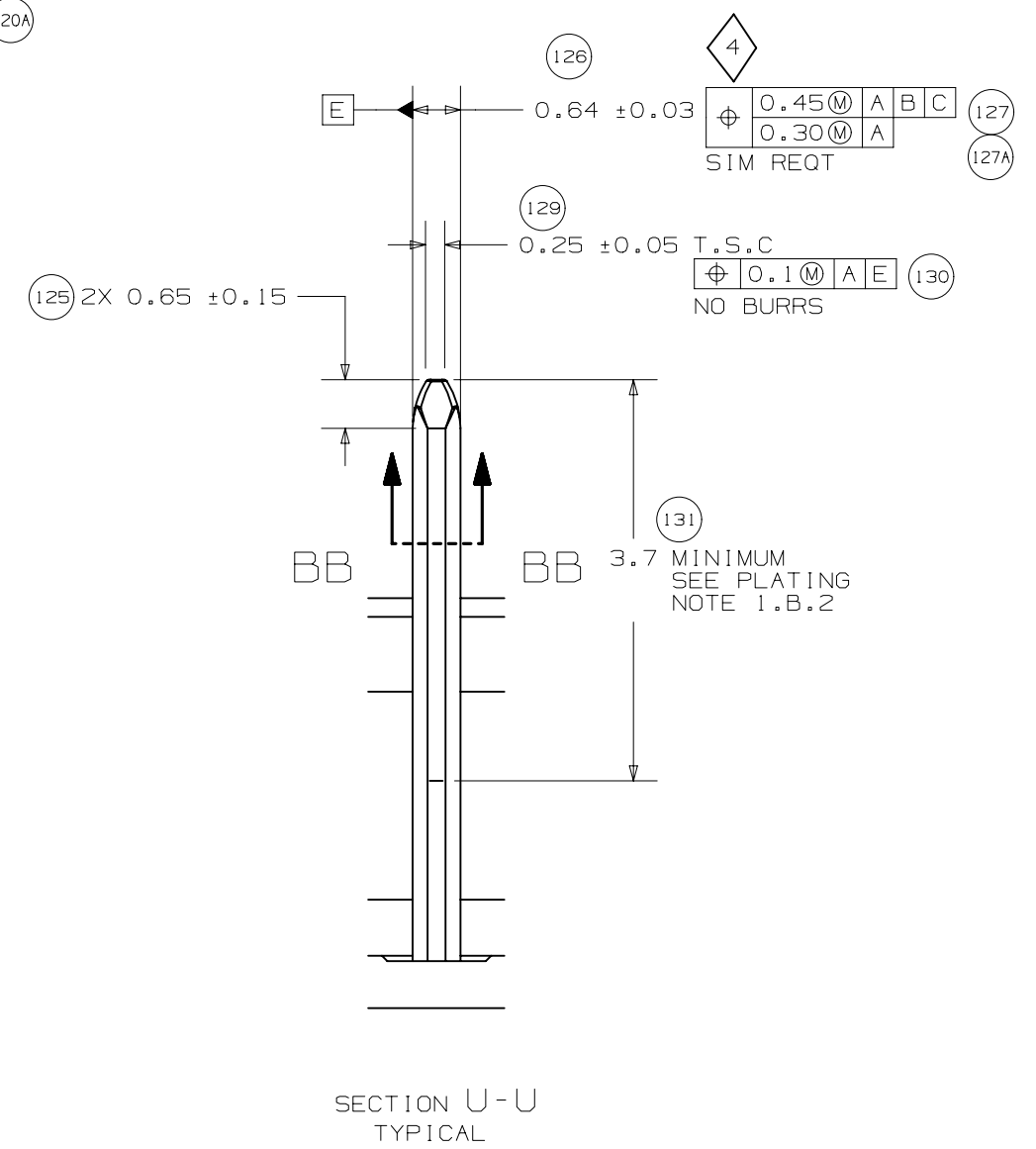
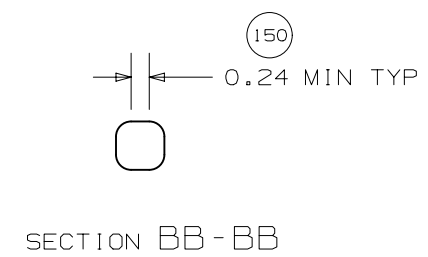
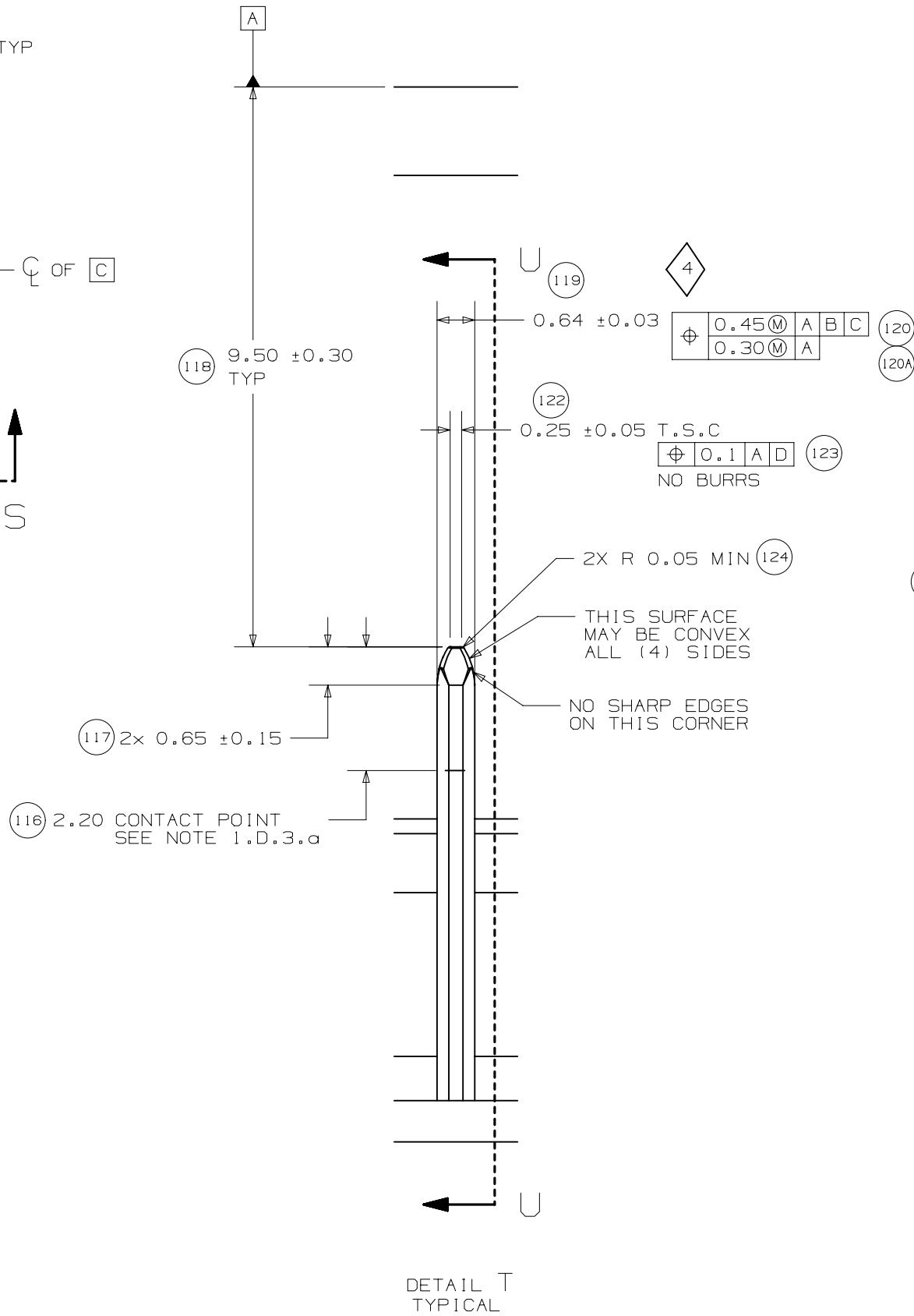
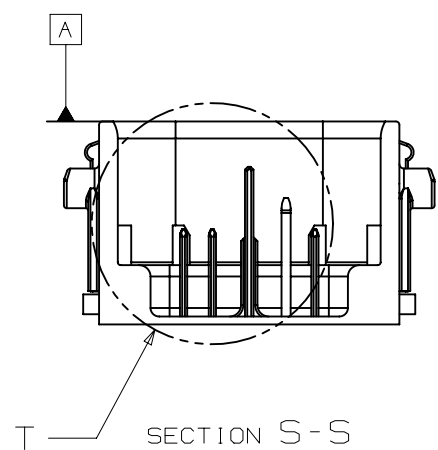
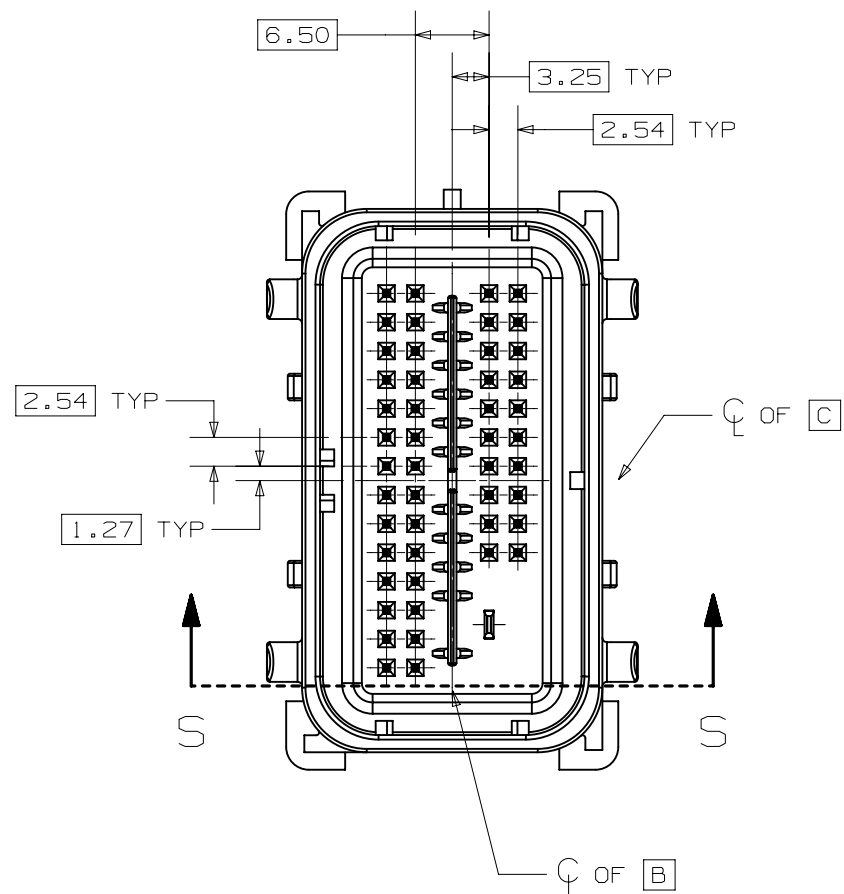


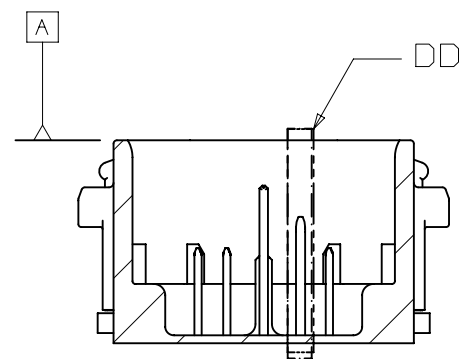
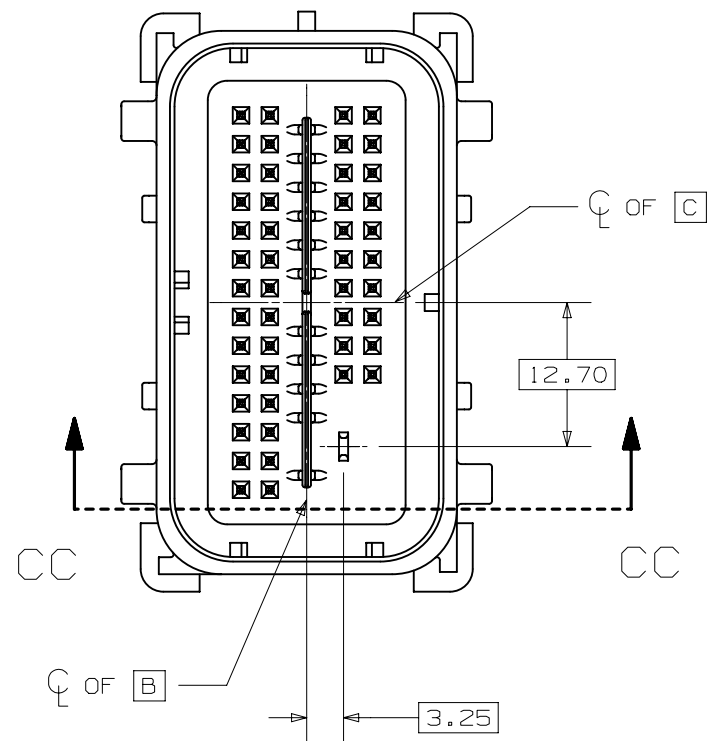
VIEW N

095 0.83 ±0.15 TYP  
 096  $\Phi$  0.5 (M) A B C

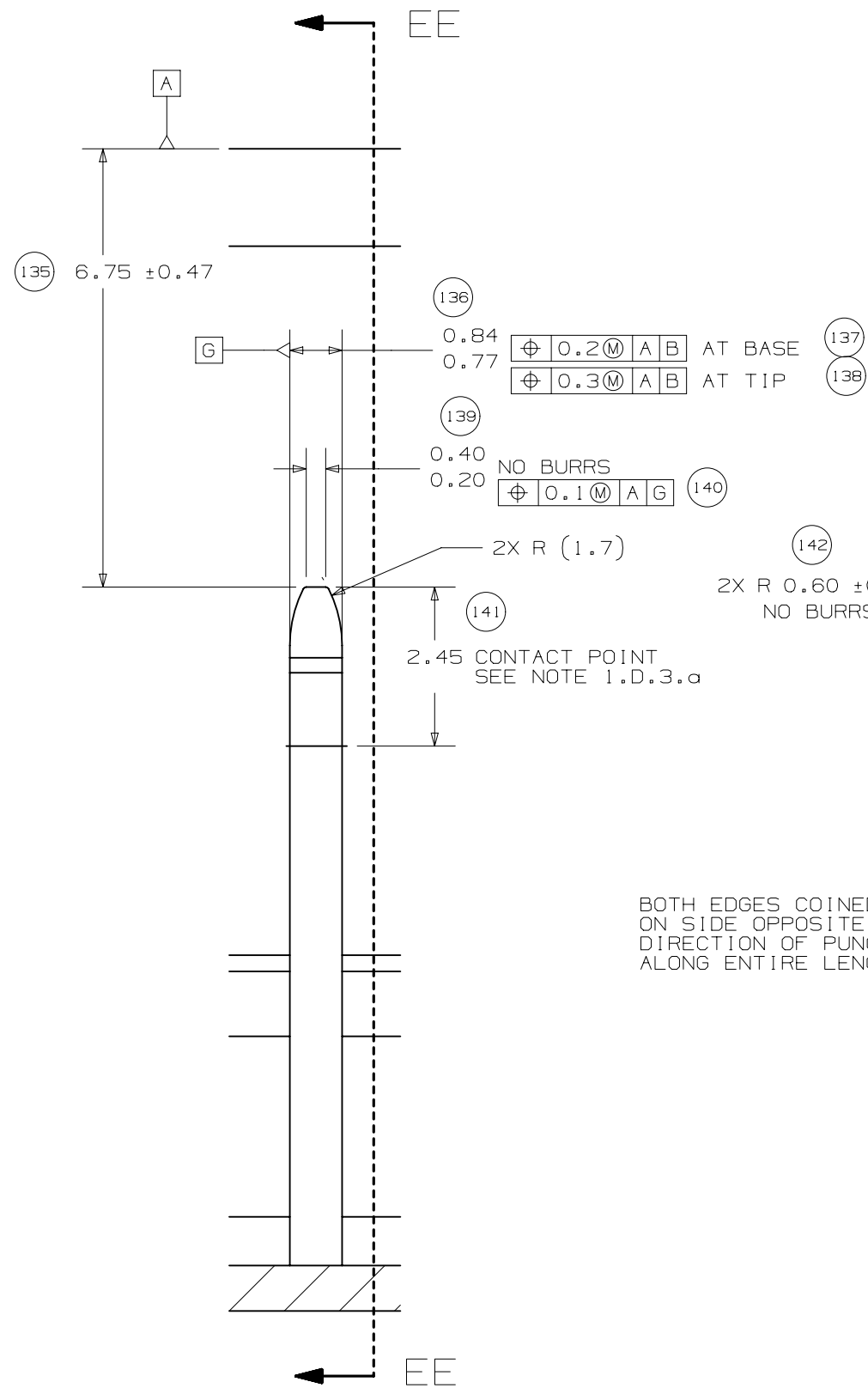




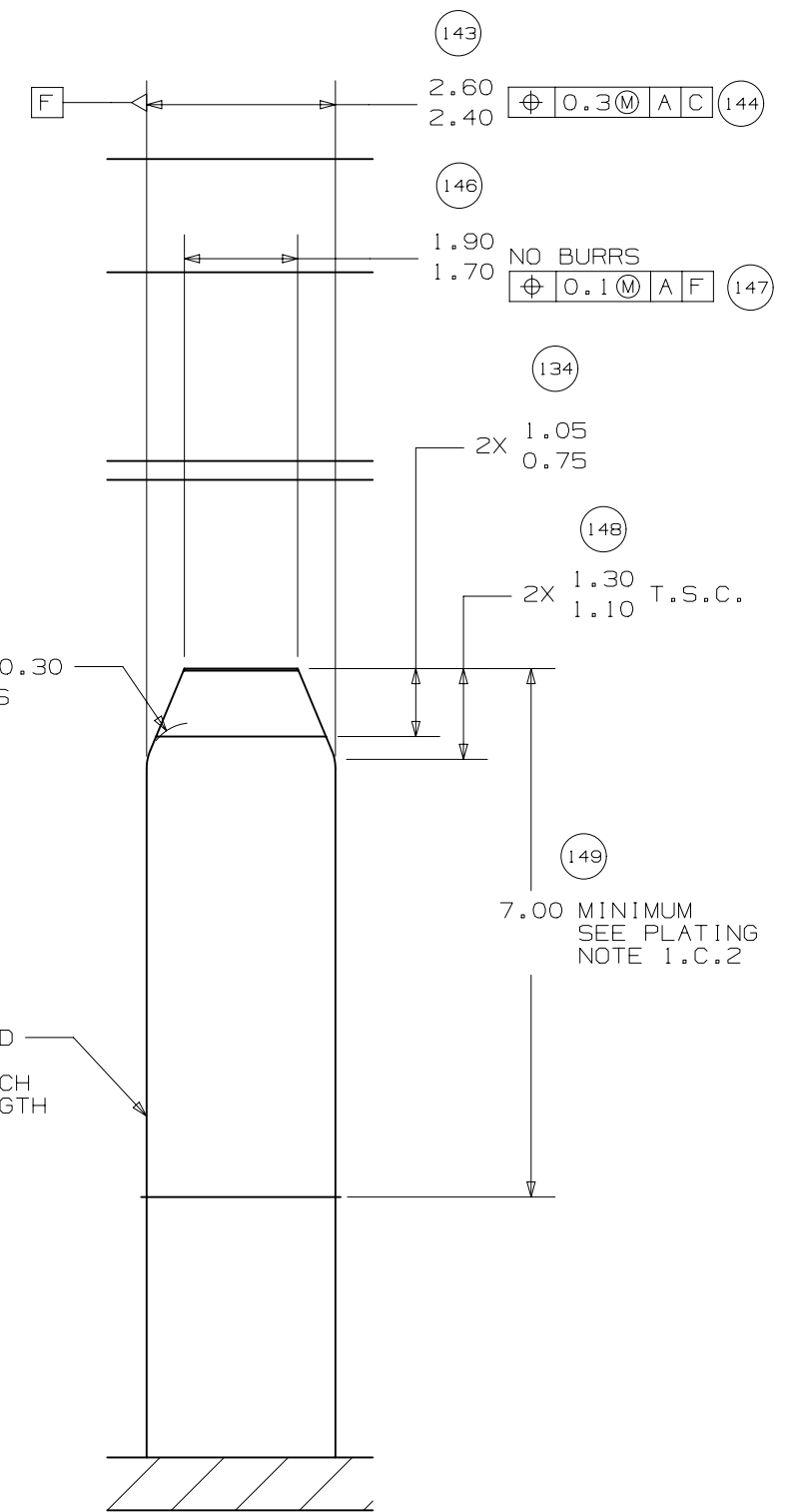




SECTION CC-CC

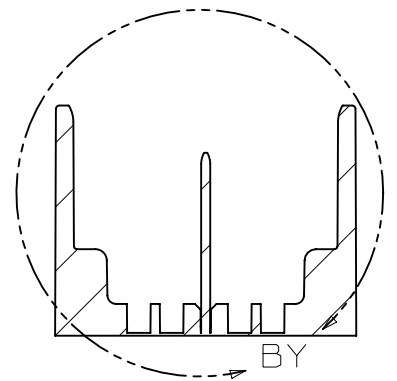
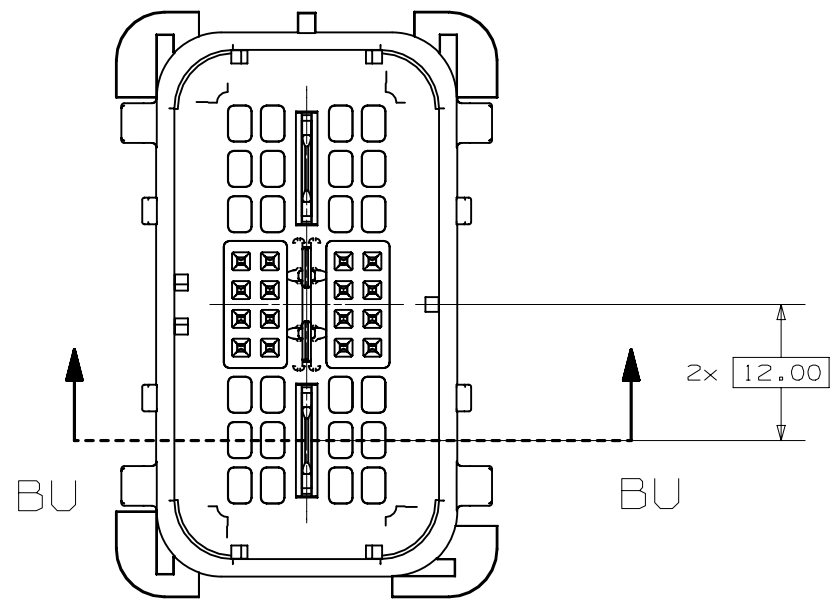


DETAIL DD  
TYPICAL

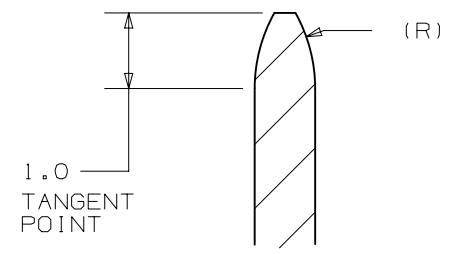


SECTION EE-EE  
TYPICAL

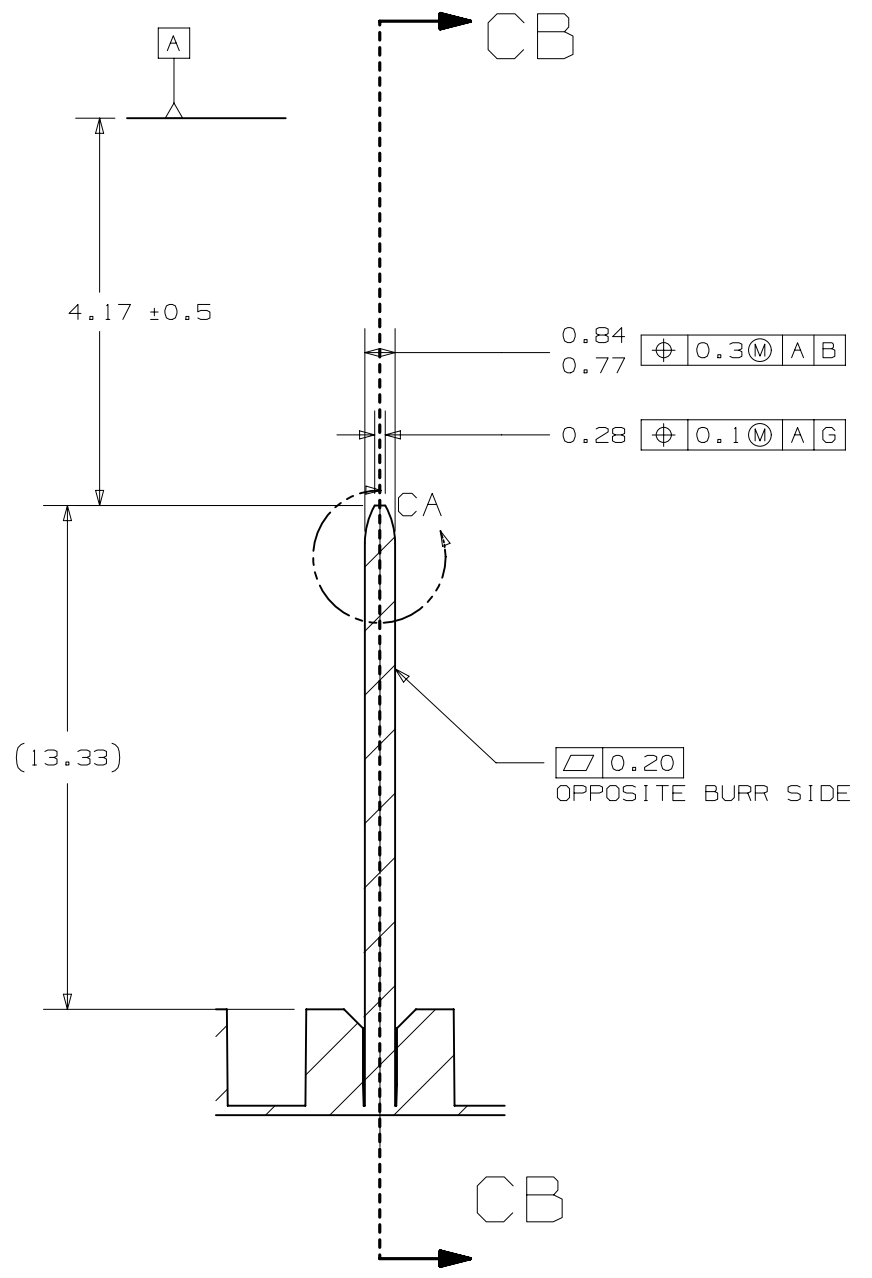




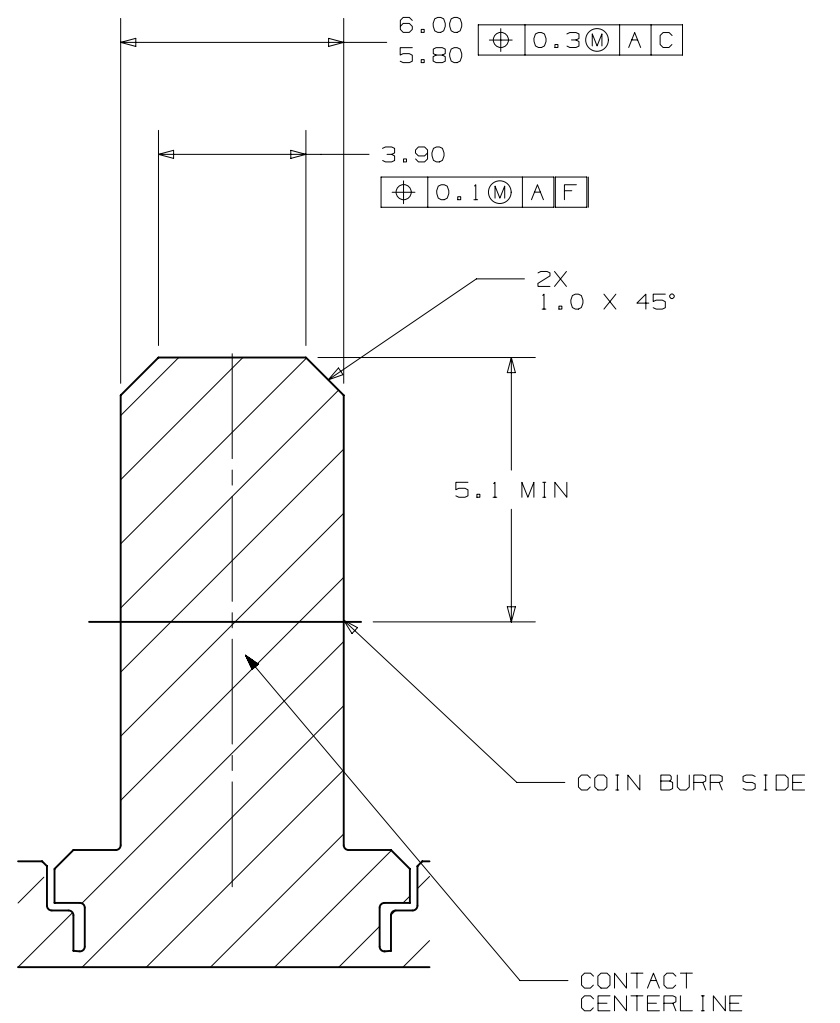
SECTION BU-BU



VIEW CA  
SCALE 10:1



VIEW BY  
SCALE 5:1



SECTION CB-CB



PAGE TITLE  
COMPONENT CONNECTOR INTERFACE

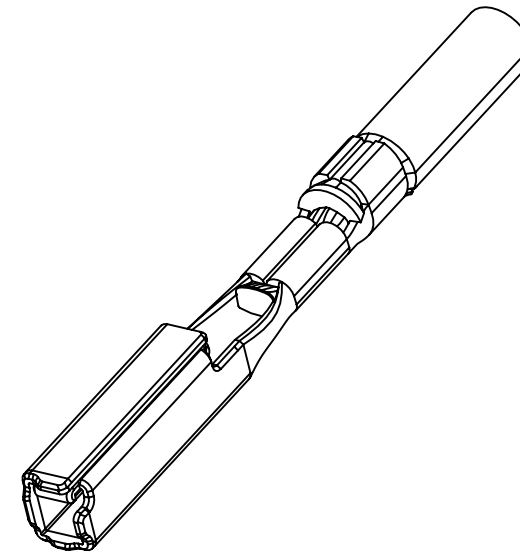
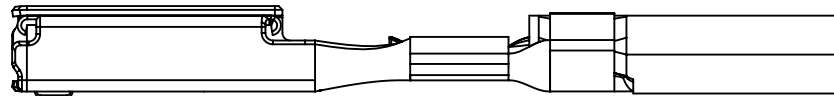
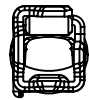
DRAWING NUMBER  
12672832

DWG STATUS		
ST	REV	PD1
R	001	

PAGE NUMBER  
22 OF 23

MOLEX MX64 RECEPTACLE TERMINAL INFORMATION

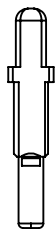
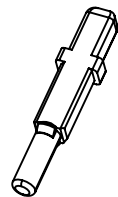
ITEM	MOLEX P/N	GM P/N	WIRE SIZE MM2	TYPE	PLATING	REEL WIND DIRECTION	COMMENTS
1	34736-0025		0.35	ISO	SILVER	LEFT	
2	34736-0026	12672850	0.35	ISO	SILVER	RIGHT	
3	34736-0027		0.5 / 0.75	ISO	SILVER	LEFT	
4	34736-0028	12672851	0.5 / 0.75	ISO	SILVER	RIGHT	



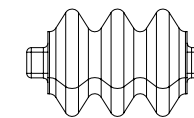
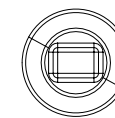
CAVITY PLUGS

ITEM	MFG	MFG P/N	GM P/N RD	SIZE	COLOR	MFG DRAWING	PROD SPEC	APP SPEC	COMMENTS
1	MOLEX	34586-0001	12674820	0.64	NATURAL	SD-34586-001	PS-34566-0000	AS-34566-001	
2	YAZAKI	7158-3114-90	12674821	2.8	BLUE	7158-3114-90	YPES-11-04-062	YPES-15-299	

ITEM 1



ITEM 2



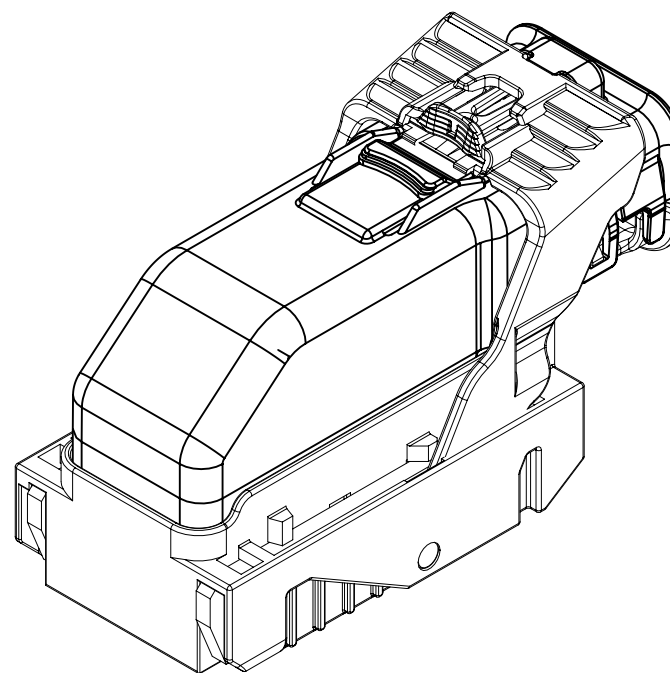
PAGE TITLE  
ADDITIONAL COMPONENTS REQUIRED

DRAWING NUMBER  
12672832


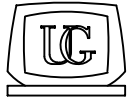
DWG STATUS		
ST	REV	PDI
R	001	

PAGE NUMBER  
23 of 23

INDEX	
PAGE TITLE	PAGE
TITLE BLOCK	1
REVISION BLOCK	2
PART BLOCK	3
KPC BLOCK	4
COMPONENT TABLE	5
NOTES	6
NOTES	7
WIRE DRESS PACKAGING DIMENSIONS	8
LOCATION AND PACKAGING DIMENSIONS REFERENCING INTERFACE DATUMS B & C	9
LOCATION AND PACKAGING DIMENSIONS REFERENCING INTERFACE DATUM A	10
KEY ID REF - WIRE DRESS OPTION 0	11
KEY ID REF - WIRE DRESS OPTION 9	12
CIRCUIT CONFIGURATIONS	13
CIRCUIT CONFIGURATIONS	14
COMPONENT CONNECTOR INTERFACE	15
COMPONENT CONNECTOR INTERFACE	16
COMPONENT CONNECTOR INTERFACE	17
COMPONENT CONNECTOR INTERFACE	18
COMPONENT CONNECTOR INTERFACE	19
COMPONENT CONNECTOR INTERFACE	20
COMPONENT CONNECTOR INTERFACE	21
ADDITIONAL COMPONENTS REQUIRED	22




ISO VIEW

	<p><b>UNLESS OTHERWISE SPECIFIED:</b> THIS DOCUMENT IS IN ACCORDANCE WITH ASME Y14.5M-1994 AS AMMENDED BY THE GM GLOBAL DIMENSIONING AND TOLERANCING ADDENDUM-1997. ALL GEOMETRIC TOLERANCES AND RELATED DATUMS APPLY RFS. RULE #1 (PERFECT FORM AT MMC) DOES NOT APPLY WHEN A RELATIONSHIP BETWEEN FEATURES IS ESTABLISHED BY ORIENTATION OR LOCATION TOLERANCES. SEPARATE POSITION CALLOUTS MAY BE GAGED SEPARATELY REGARDLESS OF DATUM REFERENCES.</p>			DATE			
	 CHANGE RESTRICTED NO MANUAL CHANGES	REFERENCE 12H (MOLEX AUTOMOTIVE)	DRAFTER APVD1 APVD2 APVD3 APVD4 APVD5	05JN15			
DO NOT SCALE		DRAWING NAME  HARNESS CONN ASM-SEALED 52/66/73/80 CKTS, MX123					
METRIC DIMENSIONS SHOWN IN MILLIMETERS UNLESS OTHERWISE SPECIFIED							
		DRAWING NUMBER		DWG STATUS		PAGE NUMBER	
		12672833		ST	REV	PDI	1 OF 22
		R	001				



PAGE	DWG STATUS					REVISION HISTORY	AUTH	DR	CK	ENG
	DATE	ST	REV	CHG	PDI					
	05JN15	R	001			RELEASED TO PRODUCTION AT DLS A	CRMRJE	DFK		

PAGE	DWG STATUS					REVISION HISTORY	AUTH	DR	CK	ENG
	DATE	ST	REV	CHG	PDI					

	PAGE TITLE	DRAWING NUMBER	DWG STATUS			PAGE NUMBER	
	REVISION BLOCK		12672833	ST	REV	PDI	2 OF 22
				R	001		



KEY PRODUCT CHARACTERISTICS  
(IN ACCORDANCE WITH QN 1805 OR ON 1050)



SAFETY/COMPLIANCE

TOTAL ON  
DRAWING

4



FIT/FUNCTION

LAST NO.  
USED

4

NO	TYPE	DESCRIPTION	RATIONALE	PAGE/ZONE
1	F/F	32.68	IMPROVE CONNECTOR SYSTEM MATING	16
2	F/F	29.00	INSURE PROPER RELEASE OF LEVER	16
3	F/F	15.25	INSURE FINAL MATE POSITION	17
4	F/F	POSITIONAL TOLERANCE (2 PLACES)	INSURE CONNECTOR SYSTEM MATEABILITY	20



PAGE TITLE  
KPC BLOCK

DRAWING NUMBER

12672833

DWG STATUS

ST	REV	PDI
----	-----	-----

R	001	
---	-----	--

PAGE NUMBER

4 OF 22

LINE	MFG.	MFG. P/N	GM P/N	EFFECTIVE DATE	APPLICABLE COMPONENTS	KEY OPTION	WIRE DRESS OPTION	KEY CONFIG.	COLOR	STATUS
					DESCRIPTION					
-										
1	MOLEX	34565-0003	12582676	02JN03	MX123 DRESS COVER 52/66/73/80 CKT	N/A	N/A	N/A	BLACK	AVAILABLE
2	MOLEX	160094-0001	12672852	01SP13	MX123 HRNS CONN ASSY 52 CKT	A	0	1458	BLACK	AVAILABLE
3	MOLEX	160094-0003	12672854	01SP13	MX123 HRNS CONN ASSY 52 CKT	C	0	2467	BLUE	AVAILABLE
4	MOLEX	160094-0013	12672853	01SP13	MX123 HRNS CONN ASSY 52 CKT	A	9	1458	BLACK	AVAILABLE
5	MOLEX	160094-0015	12672855	01SP13	MX123 HRNS CONN ASSY 52 CKT	C	9	2467	BLUE	AVAILABLE
6	MOLEX	34822-0013	12672856	01SP13	MX123 HRNS CONN ASSY 66 CKT	A	0	1458	BLACK	AVAILABLE
7	MOLEX	34822-0033	12672858	01SP13	MX123 HRNS CONN ASSY 66 CKT	C	0	2467	BLUE	AVAILABLE
8	MOLEX	34822-0023	12672857	01SP13	MX123 HRNS CONN ASSY 66 CKT	A	9	1458	BLACK	AVAILABLE
9	MOLEX	34822-0043	12672859	01SP13	MX123 HRNS CONN ASSY 66 CKT	C	9	2467	BLUE	AVAILABLE
10	MOLEX	34566-0103	12672860	11JN04	MX123 HRNS CONN ASSY 73 CKT	A	0	1458	BLACK	AVAILABLE
11	MOLEX	34566-0203	12672862	11JN04	MX123 HRNS CONN ASSY 73 CKT	B	0	1468	ST GRAY	AVAILABLE
12	MOLEX	34566-0303	12672864	09AP08	MX123 HRNS CONN ASSY 73 CKT	C	0	2467	BLUE	AVAILABLE
13	MOLEX	34566-0603	12672866	05DC14	MX123 HRNS CONN ASSY 73 CKT	F	0	1357	NATURAL	AVAILABLE
14	MOLEX	34566-1303	12672861	11JN04	MX123 HRNS CONN ASSY 73 CKT	A	9	1458	BLACK	AVAILABLE
15	MOLEX	34566-1403	12672863	11JN04	MX123 HRNS CONN ASSY 73 CKT	B	9	1468	ST GRAY	AVAILABLE
16	MOLEX	34566-1503	12672865	09AP08	MX123 HRNS CONN ASSY 73 CKT	C	9	2467	BLUE	AVAILABLE
17	MOLEX	34566-1803	12672867	05DC14	MX123 HRNS CONN ASSY 73 CKT	F	9	1357	NATURAL	AVAILABLE
18	MOLEX	34566-0703	12672872	09AP08	MX123 HRNS CONN ASSY 80 CKT	G	0	1358	BLUE	AVAILABLE
19	MOLEX	34566-0803	12672870	11JN04	MX123 HRNS CONN ASSY 80 CKT	H	0	2458	ST GRAY	AVAILABLE
20	MOLEX	34566-0903	12672868	T.B.D	MX123 HRNS CONN ASSY 80 CKT	J	0	2457	BLACK	NOT ACTIVE
21	MOLEX	34566-1903	12672873	09AP08	MX123 HRNS CONN ASSY 80 CKT	G	9	1358	BLUE	AVAILABLE
22	MOLEX	34566-2003	12672871	11JN04	MX123 HRNS CONN ASSY 80 CKT	H	9	2458	ST GRAY	AVAILABLE
23	MOLEX	34566-2103	12672869	T.B.D	MX123 HRNS CONN ASSY 80 CKT	J	9	2457	BLACK	NOT ACTIVE
24	MOLEX	34736-0028	12672851	01AU10	MX64 RCPT TERM Ag 0.5mm/0.75mm ISO GAGE B (RIGHT PAYOFF)	N/A	N/A	N/A	N/A	AVAILABLE
25	MOLEX	34736-0026	12672850	01AU10	MX64 RCPT TERM Ag 0.35mm ISO GAGE B (RIGHT PAYOFF)	N/A	N/A	N/A	N/A	AVAILABLE
26	MOLEX	34586-0001	12674820	11JN04	MX123 0.64mm GROMMET PLUG	N/A	N/A	N/A	NATURAL	AVAILABLE
27	YAZAKI	7116-4150-02	12588066	02JN03	2.8mm YESC SEALED FEMALE TERMINAL TIN 0.35mm2-0.50mm2	N/A	N/A	N/A	N/A	NOT ACTIVE
28	YAZAKI	7116-4151-02	12588067	02JN03	2.8mm YESC SEALED FEMALE TERMINAL TIN 0.75mm2-1.0mm2	N/A	N/A	N/A	N/A	NOT ACTIVE
29	YAZAKI	7116-4152-02	12582685	02JN03	2.8mm YESC SEALED FEMALE TERMINAL TIN 1.5mm2-2.5mm2	N/A	N/A	N/A	N/A	AVAILABLE
30	YAZAKI	7158-3111-60	12588068	02JN03	2.8mm CABLE SEAL (wire O.D. range 1.2mm-1.9mm)	N/A	N/A	N/A	GREEN	NOT ACTIVE
31	YAZAKI	7158-3112-70	12588069	02JN03	2.8mm CABLE SEAL (wire O.D. range 1.8mm-2.3mm)	N/A	N/A	N/A	YELLOW	NOT ACTIVE
32	YAZAKI	7158-3113-40	12582686	02JN03	2.8mm CABLE SEAL (wire O.D. range 2.1mm-3.0mm)	N/A	N/A	N/A	WHITE	AVAILABLE
33	YAZAKI	7158-3114-90	12674821	02JN03	2.8mm YESC CAVITY PLUG	N/A	N/A	N/A	BLUE	AVAILABLE
34	MOLEX	63825-8400	N/A	02JN03	MX64 TERM HAND CRIMP TOOL	N/A	N/A	N/A	N/A	AVAILABLE
35	MOLEX	63813-1400	XX019826	02JN03	MX64 TERM SERVICE TOOL	N/A	N/A	N/A	N/A	AVAILABLE
36	MOLEX	63902-5300	N/A	02JN03	MX64 CRIMP APPLICATOR with TOOL KIT 0.5/0.75mm2 PAYOFF DIRECTION D (left payoff) (contact Molex for payoff detail)	N/A	N/A	N/A	N/A	AVAILABLE
37	MOLEX	63902-5370	N/A	02JN03	MX64 APPLICATOR TOOL KIT 0.5/0.75mm2	N/A	N/A	N/A	N/A	AVAILABLE
38	MOLEX	63902-5100	N/A	02JN03	MX64 CRIMP APPLICATOR with TOOL KIT 0.35mm2 PAYOFF DIRECTION D (left payoff) (contact Molex for payoff detail)	N/A	N/A	N/A	N/A	AVAILABLE
39	MOLEX	63902-5170	N/A	02JN03	MX64 APPLICATOR TOOL KIT 0.35mm2	N/A	N/A	N/A	N/A	AVAILABLE
40	SPX	J35616-64	T.B.D.	02JN03	0.64mm PROBE TOOL (for rcpt)	N/A	N/A	N/A	N/A	AVAILABLE
41	SPX	J35616-64A	T.B.D.	02JN03	0.64mm PROBE TOOL WITH EXT (for rcpt)	N/A	N/A	N/A	N/A	AVAILABLE
42	SPX	J35616-65	T.B.D.	02JN03	0.64mm PROBE TOOL WITH EXT (for pin)	N/A	N/A	N/A	N/A	AVAILABLE
43	SPX	J35616-4A	T.B.D.	02JN03	2.8mm PROBE TOOL (for rcpt)	N/A	N/A	N/A	N/A	AVAILABLE
44	YAZAKI	X39899-J374	12094430	02JN03	2.8mm TERM SERVICE TOOL	N/A	N/A	N/A	N/A	AVAILABLE
45	TQI	7000-1006	N/A	15JN15	52 CKT PASS THROUGH ADAPTERS	N/A	N/A	N/A	BLACK	AVAILABLE
46	TQI	7000-1002	N/A	15JN15	66 CKT PASS THROUGH ADAPTERS	N/A	N/A	N/A	BLACK	AVAILABLE
47	TQI	79917-0061	N/A	15JN15	73 CKT PASS THROUGH ADAPTERS	N/A	N/A	N/A	BLACK	AVAILABLE
48	TQI	79917-0066	N/A	15JN15	80 CKT PASS THROUGH ADAPTERS	N/A	N/A	N/A	BLACK	AVAILABLE

\* - MX123 DRESS COVER 52/66/73/80 CKT MATES TO ANY MX123 HARN CONN ASSY SHOWN ON TABLE ABOVE



PAGE TITLE  
COMPONENT TABLE

DRAWING NUMBER

12672833

DWG STATUS

ST REV PDI

R 001

PAGE NUMBER

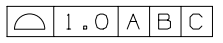
5 OF 22

NOTES: UNLESS OTHERWISE SPECIFIED

1. MATERIAL FOR INTERFACE:


- A. RESIN:
  - 1. 30% G.F. PBT; 20% MAX. (BY WEIGHT) REGRIND.
  - 2. MATING CONNECTOR INTERFACE PART COLOR MUST BE SAME AS MATCHING KEYED HARNESS CONNECTOR ASSEMBLY.
  - 3. MUST BE VALIDATED FOR INDIVIDUAL DEVICE APPLICATION REQUIREMENTS.
- B. 0.64MM PINS:
  - 1. BASE MATERIAL: COPPER ALLOY; CONDUCTIVITY >= 28% IACS AT 20°C; TENSILE STRENGTH >= 635 N/mm<sup>2</sup>; SURFACE ROUGHNESS R<sub>a</sub> 6 MAX.
  - 2. PLATING FINISH: SILVER (Ag). PLATING TO BE 1.9-3.3 μm ELECTRODEPOSITED SEMI-BRIGHT SILVER OVER 1.25-2.25 μm DUCTILE SULPHAMATE NICKEL PER NOTE 1(D).
  - 3. ANTI-TARNISH: SYNTHETIC HYDROCARBON CONTACT SURFACE FINISH OR EQUIVALENT APPLIED WITHOUT VOID TO CONTACT AREA (MIN 3.7mm FROM PIN TIP).
- C. 2.8MM BLADE:
  - 1. BASE MATERIAL: COPPER ALLOY; CONDUCTIVITY >= 28% IACS AT 20°C; TENSILE STRENGTH >= 350 N/mm<sup>2</sup>; SURFACE ROUGHNESS R<sub>a</sub> 6 MAX.
  - 2. PLATING FINISH: TIN. PLATING TO BE 2.5-5.0 μm ELECTRODEPOSITED TIN, MATTE FINISH OVER 1.25-2.5 μm DUCTILE SULPHAMATE NICKEL PER NOTE 1(D).
- D. PLATING REQUIREMENTS:
  - 1. SILVER PLATING
    - a. 99.5% PURE SEMI-BRIGHT WITH NO ORGANIC BRIGHTNERS OR CHROMATES.
  - 2. NICKEL PLATING
    - a. ELECTRODEPOSITED DUCTILE SULFAMATE NICKEL WITH A NON-BRIGHTENED FINISH. NO ORGANIC OR BRIGHTENING AGENTS SHALL BE ALLOWED.
    - b. SHALL ONLY BE USED AS AN UNDERLYING PLATING AND MAY NOT BE USED AS AN ELECTRICAL CONTACT SURFACE PLATING.
    - c. SHALL BE NODULE FREE WHEN VIEWED AT 10X MAGNIFICATION IN MEASURED IN CONTACT SURFACE AREA PLUS 0.5MM PERIMETER AROUND THE CONTACT SURFACE AREA.
    - d. ALL PLATINGS SHALL HAVE A 1.0% MAXIMUM BY WEIGHT IMPURITIES. IMPURITIES ARE DEFINED AS ALL ELEMENTS NOT THE PRIMARY PLATING OR HARDENING AGENT IF APPLICABLE, AS DETERMINED BY WET CHEMICAL ANALYSIS OR AUGER METHOD. NO SINGLE IMPURITY SHALL EXCEED 0.1% MAXIMUM BY WEIGHT.
  - 3. TESTING
    - a. THICKNESS TO BE MEASURED IN CONTACT SURFACE AREA PLUS 0.5MM PERIMETER AROUND THE CONTACT SURFACE AREA AS DESIGNATED IN THE DRAWING. THICKNESS SHALL BE DETERMINED BY METHOD OF X-RAY (XRF).
    - b. PLATING ADHESION SHALL BE TESTED BY A BEND TEST FOR ALL METALS. THE TEST SAMPLE SHALL BE BENT 90 DEGREES TO DETERMINE DEPOSIT ADHESION. TESTING SHALL BE COMPLETED IN ACCORDANCE WITH ASTM SPEC B571.

2. DESIGN - GENERAL:

- A. THIS IS A 100% CAD GENERATED PART. THE CAD MATHEMATICAL DATA IS THE MASTER FOR THIS PART. FOR DIMENSIONAL OR ANY INFORMATION NOT SHOWN ON THIS DRAWING, ANALYZE THE CAD MODEL.
- B. TOLERANCES:
  - 1. LINEAR
    - 0.X ± 0.30
    - 0.XX ± 0.10
    - 0.XXX ± 0.10
  - 2. ANGULAR X° ± 3°
  - 3. 
- C. MINIMUM WALL THICKNESS REQUIRED: 1.3mm.
- D. CORNERS SHOWN AS SHARP TO BE R 0.2 MAX.
- E. LETTERING SHALL BE 0.15 MAX RAISED IN 0.20 MAX RECESS PAD. THIS INCLUDES MATERIAL CODE, RECYCLING CODE, CAVITY ID AND DATE CODE.
- F-1. PARTS MUST BE FREE OF DISCOLORATION, SALT RESIDUE AND OTHER IMPERFECTIONS THAT AFFECT FIT OR FUNCTION.
- F-2. SCRATCHES OR DENTS NOT TO EXCEED 0.013mm IN DEPTH.
- G. FOLLOWING PRODUCTION CODES TO BE PERMANENTLY MARKED & HUMAN READABLE TO A LETTER HEIGHT OF 1.5 ± 0.5MM X 0.3 MAX DEEP
  - 1. MATERIAL #: XXXXX-XXXX
  - 2. DATE CODE: JJJY (JULIAN DAY, LAST DIGIT OF YEAR)
  - 3. INSPECTION MACHINE CODE + SERIAL #: X\_XXXXX

3. DESIGN - MANUFACTURING:

- A. DRAFT TO BE WITHIN TOLERANCE.
- B. ALLOWABLE FLASH MAX 0.2 HIGH X MAX 0.13 THICK.
- C. ALLOWABLE PARTING LINE MISMATCH 0.2 MAX.
- D. EJECTOR PINS MARK TO BE FLUSH TO 0.25 MAX DEPRESSED.
- E. ALLOWABLE GATE VESTIGE FLUSH TO 0.25 MAX PROTRUSION.
- F. NO EXTERNAL MOLD RELEASE AGENT ALLOWED DURING MANUFACTURING.
- G. STEEL THAT FORMS THE INDICATED SURFACE MUST BE POLISHED WITH A DIAMOND FINISH (SPI A-2) OVER THE FULL PERIPHERY OF THE TOOL. SURFACE MUST HAVE NO MISMATCH.
- H. ANY PROCESS LUBRICANT REMAINING ON THE TERMINAL MUST NOT VARNISH OR DEGRADE IT'S ELECTRICAL PERFORMANCE UP TO A MAXIMUM CLASS AMBIENT TEMPERATURE PER SAE USCAR-2 FOR 1008 HOURS. PROCESS LUBRICANTS SHOULD BE APPROVED BY THE RESPONSIBLE ENGINEER.
- J. OPTIONAL FEATURES PROVIDED FOR AUTOMATION.
- K. PART MUST BE FREE FROM BURRS AND SHARP EDGES, WHICH MIGHT BE DETRIMENTAL TO SATISFACTORY ASSEMBLY, SAFE HANDLING OR FUNCTION OF PART.
- L. PARTS AS DELIVERED TO ASSEMBLY SHALL BE CLEAN AND FREE OF DEBRIS, RESIDUAL ABRASIVE MATERIAL AND CORROSION PRODUCTS ADVERESLY AFFECTING FUNCTION OR APPEARENCE.
- M. RESTRICTED AND REPORTABLE SUBSTANCES FOR PARTS PER GMW3059.

	PAGE TITLE	DRAWING NUMBER	DWG STATUS			PAGE NUMBER	
	NOTES		12672833	ST	REV	PDI	6 OF 22
				R	001		

NOTES: UNLESS OTHERWISE SPECIFIED

4. SYSTEM REQUIREMENTS:

- A. HARNESS CONNECTOR IS COMPATIBLE WITH THE FOLLOWING ISO WIRE SIZE NO'S:  
 0.35mm<sup>2</sup>, MEETING GMW15626 - MIN OD OF 1.30MM  
 0.50mm<sup>2</sup>, MEETING GMW15626  
 0.75mm<sup>2</sup>, MEETING GMW15626 - MAX OD OF 2.06MM

B. CABLE TIE SPECIFICATIONS:

1. CABLE TIE:
  - TENSILE RATING: 220N / (50lbs) MIN
  - TIE LENGTH: 186mm MIN
  - TIE WIDTH: 4.75mm MAX
  - MATERIAL: NYLON
2. INSTALLATION:
  - CABLE TIE TENSION: 190N MIN
3. DRESSED WIRE BUNDLE PACKAGING: SEE FIG. 1

C. WHEN MATED WITH COMPONENT CONNECTOR INTERFACE AND/OR DRESS COVER, HARNESS CONNECTOR SYSTEM CONFORMS TO THE FOLLOWING:

1. SAE/USCAR-2, REV: 3 APRIL, 2001; CLASS 3
2. FIELD CORRELATED LIFE TEST, SAE/USCAR-20, NOV. 2001
3. GMW #3191 AUGUST 22, 2000 (DRAFT); TEMPERATURE CLASS 3, SEALING CLASS 1, VIBRATION CLASS 2
4. RESTRICTED AND REPORTABLE CHEMICALS PER GMW #3059, REV: D AUGUST 2002
5. TPA USER FORCES (FULLY POPULATED WITH TERMINALS)
  - a. REMOVAL FROM LOCK TO PRE-SET: <=120N

D. WIRE SPECIFICATIONS:

1. WIRE SURFACE MUST BE FREE OF SCRATCHES, GROOVES OR DENTS WHERE FUNCTIONAL

5. TERMINAL CURRENT RATINGS:

A. MX64 RCPT TERM

ALL TESTING DONE IN ACCORDANCE WITH USCAR-2 REV5 SECTION 5.3

1. MX64 RCPT TERM Ag 0.50/0.75mm<sup>2</sup> CRIMPED TO 0.75mm<sup>2</sup> ISO WIRE AND MATED TO MX123 0.64MM PIN: SEE TABLE BELOW
2. MX64 RCPT TERM Ag 0.35mm<sup>2</sup> CRIMPED TO 0.35mm<sup>2</sup> ISO WIRE AND MATED TO MX123 0.64MM PIN: SEE TABLE BELOW

WIRE	CURRENT RATING			
	23°C	85°C	105°C	125°C
0.75mm <sup>2</sup>	11.3A	11.3A	9.5A	6.6A
0.50mm <sup>2</sup>	10.0A	10.0A	8.3A	5.7A
0.35mm <sup>2</sup>	8.5A	8.5A	7.1A	5.0A

B. 2.8MM RCPT TERM

ALL TESTING DONE IN ACCORDANCE WITH MOLEX DVP&R 0279 (TR # 7125)

1. 2.8MM RCPT TERM TIN 2.0mm<sup>2</sup> CRIMPED TO 2.0mm<sup>2</sup> ISO WIRE AND MATED TO MX123 2.8MM BLADE: 25.6 AMPS AT 125°C

6. CONTACT MOLEX AUTOMOTIVE FOR AVAILABLE CUSTOM PATTERNS OF CAVITIES OPEN FOR CIRCUITS - SEE GM DRAWING 13507496



PAGE TITLE  
NOTES

DRAWING NUMBER

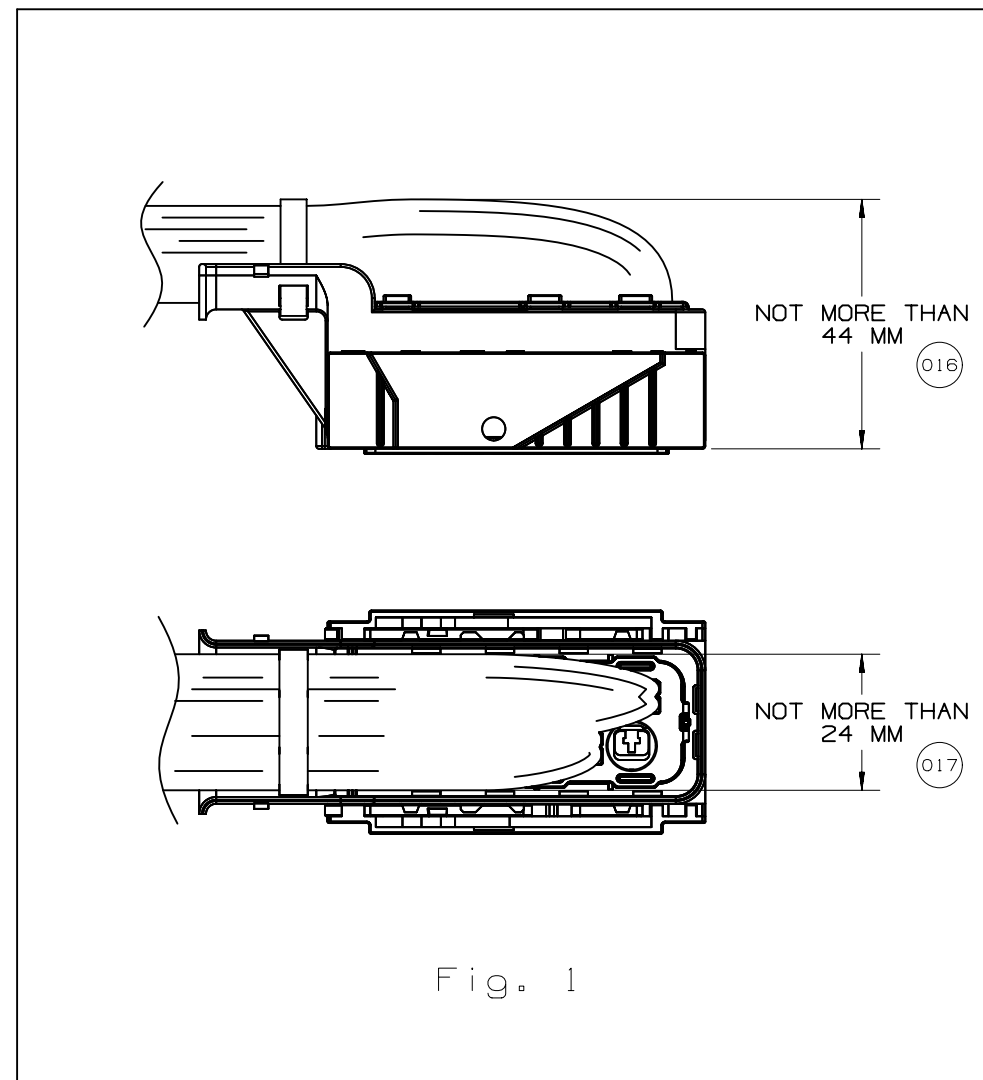
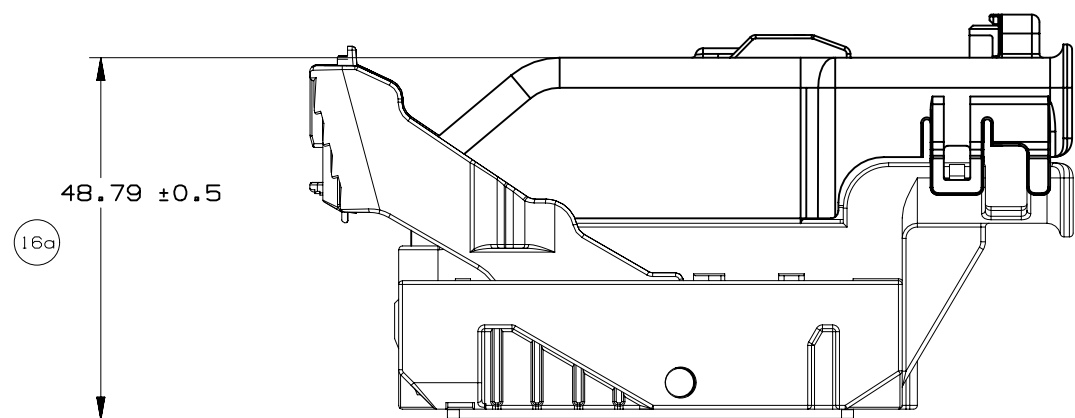
12672833

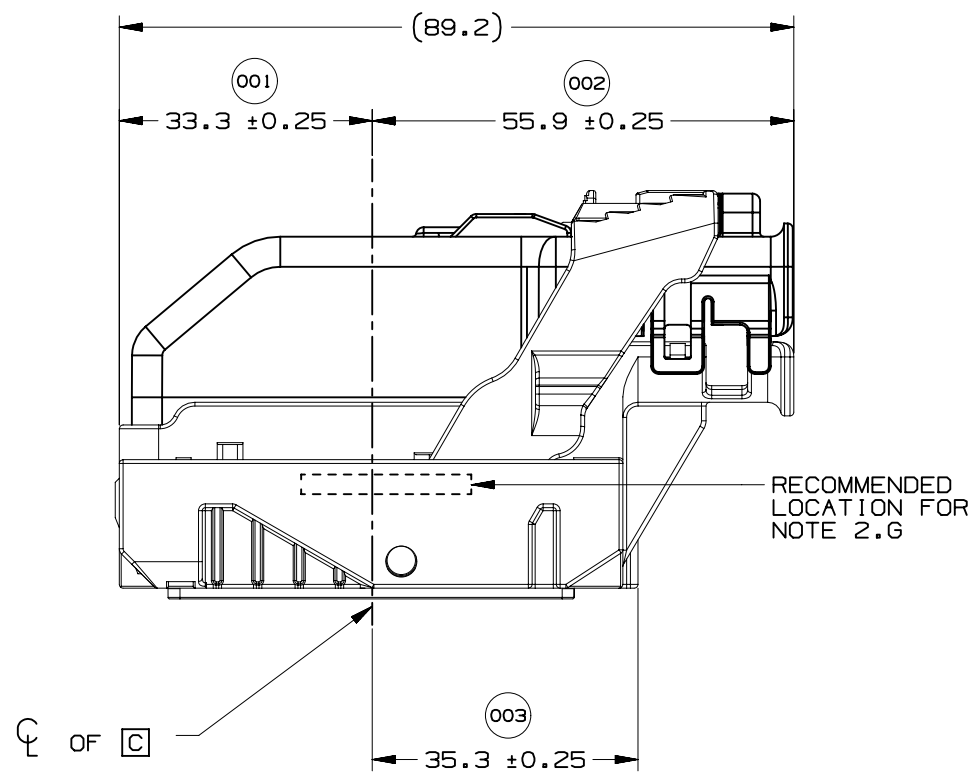
DWG STATUS

ST	REV	PDI
R	001	

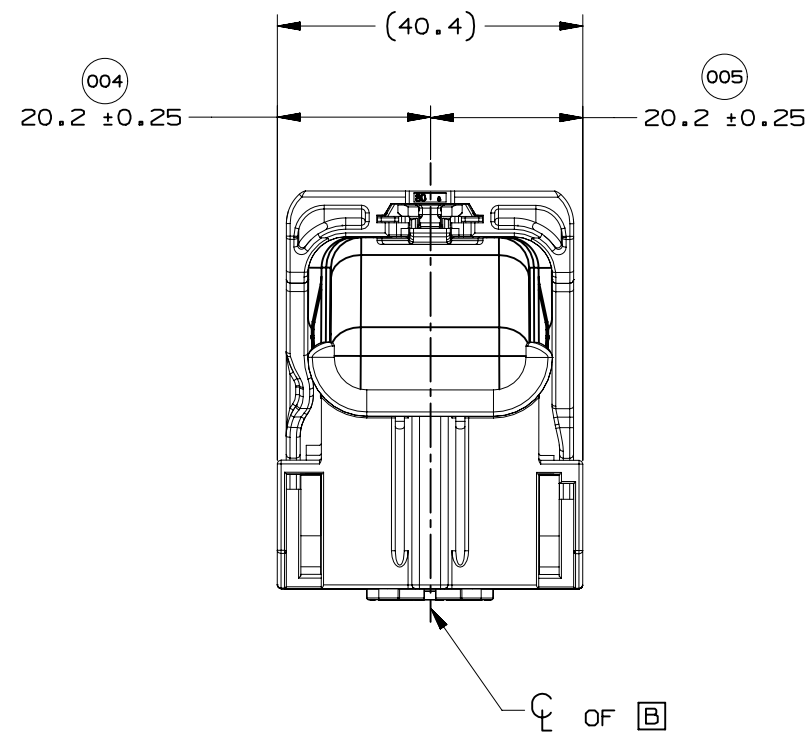
PAGE NUMBER

7 OF 22

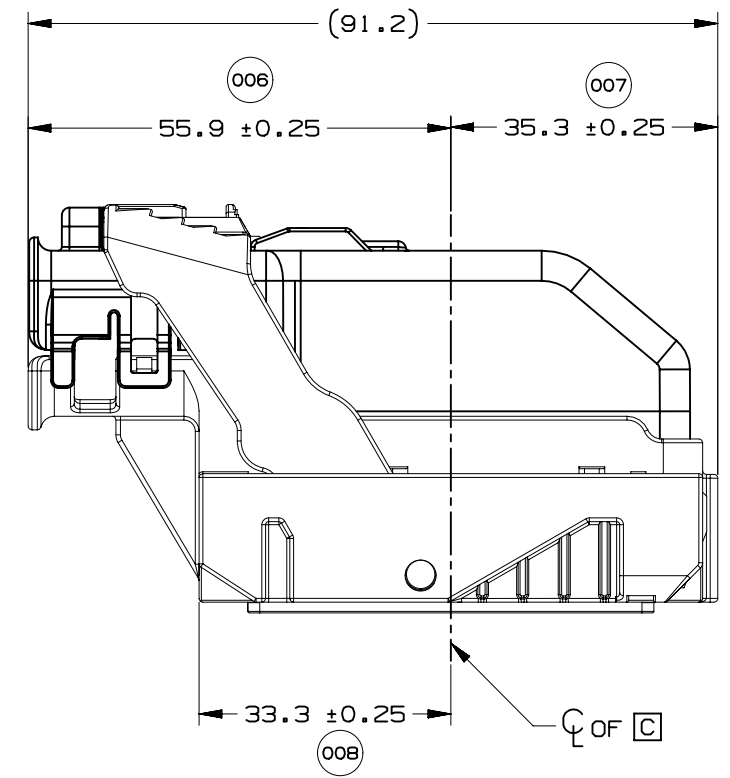




WIRE DRESS OPTION 0 SHOWN



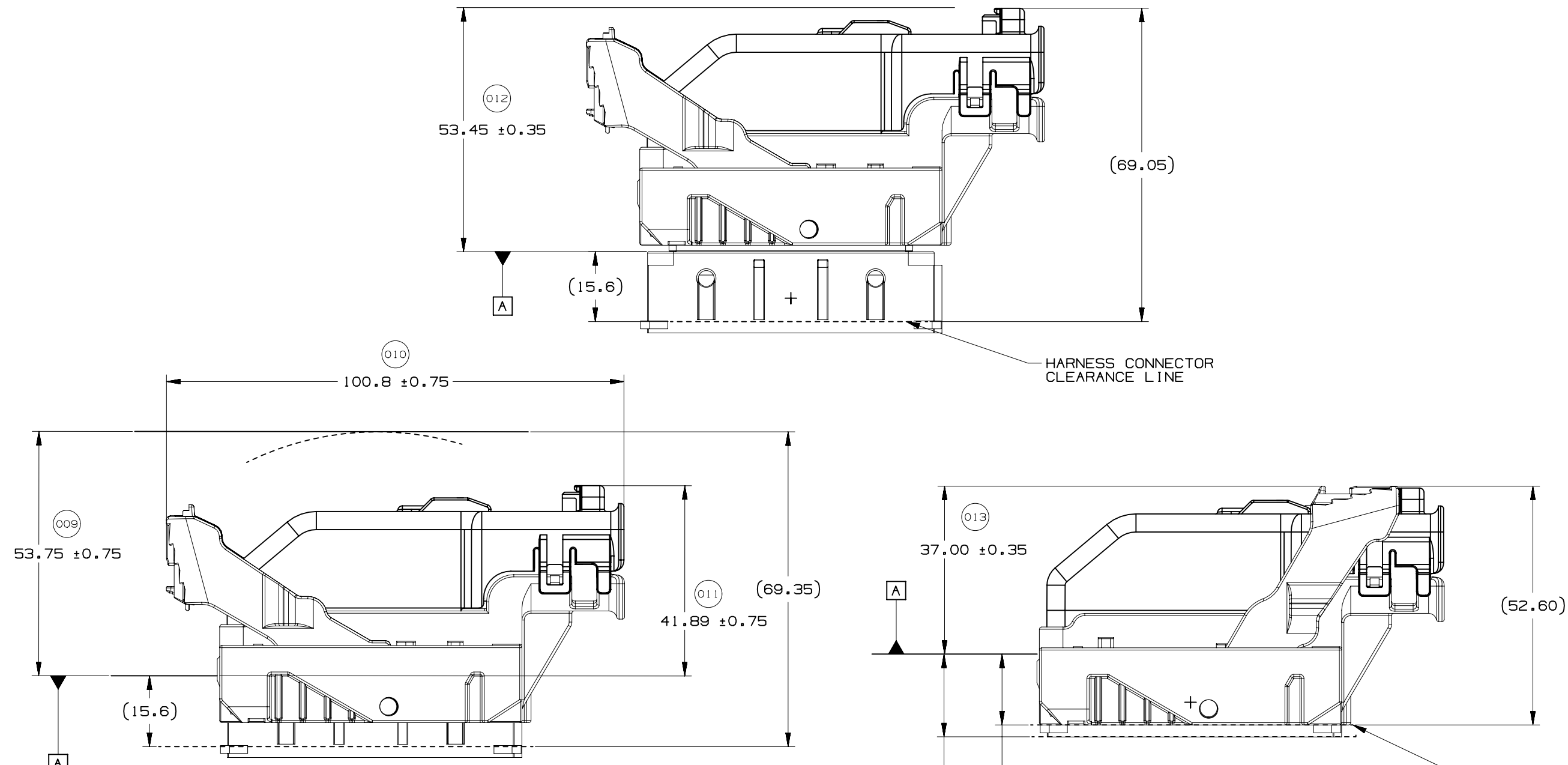
WIRE DRESS OPTION 0 SHOWN



WIRE DRESS OPTION 9 SHOWN







HARNESS CONNECTOR CLEARANCE LINE

HARNESS CONNECTOR ASSEMBLY IN FULLY-MATED POSITION

HARNESS CONNECTOR CLEARANCE LINE

15.6 MIN. ALL AROUND CLEARANCE REQUIRED FOR HARNESS CONNECTOR (014)

17.9 MIN. AT PAD LOCATION CLEARANCE REQUIRED FOR HARNESS CONNECTOR CONSTRUCTION BELOW THIS PLANE IS NOT CONTROLLED (015)

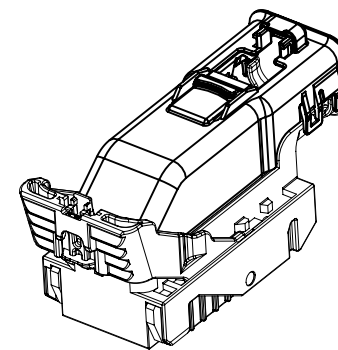
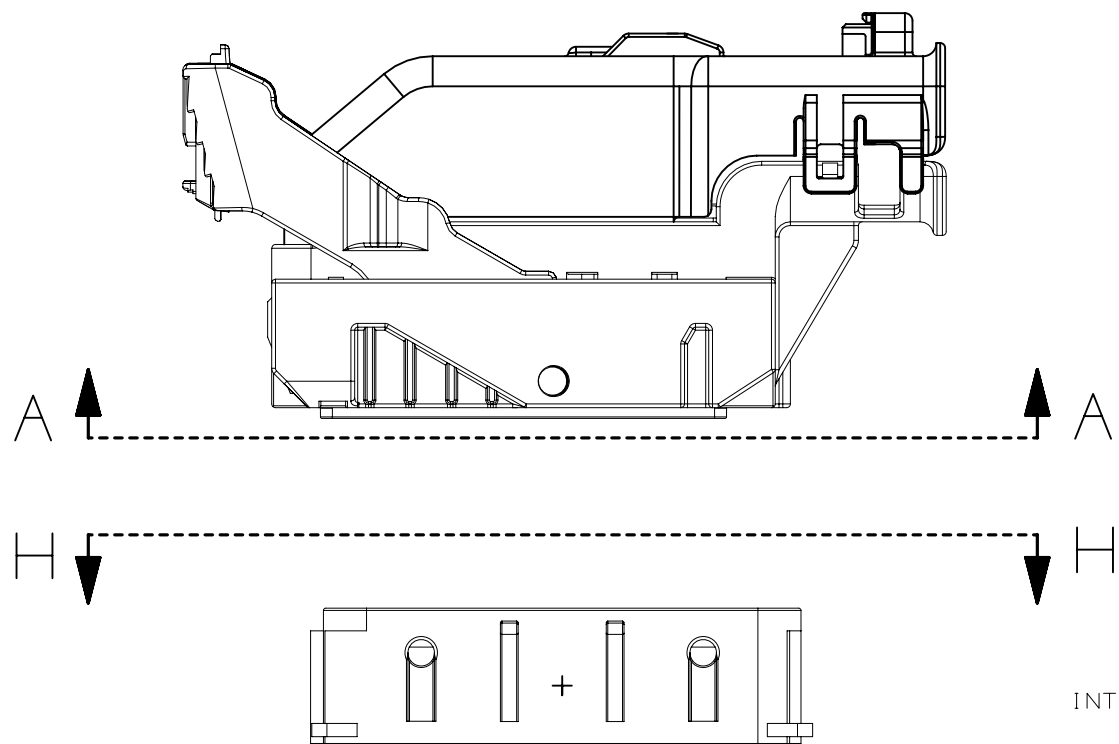


PAGE TITLE  
LOCATION AND PACKAGING DIMENSIONS  
REFERENCING INTERFACE DATUM A

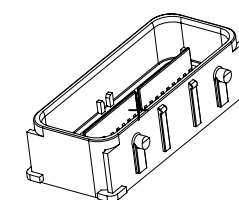
DRAWING NUMBER  
12672833

DWG STATUS		
ST	REV	PD1
R	001	

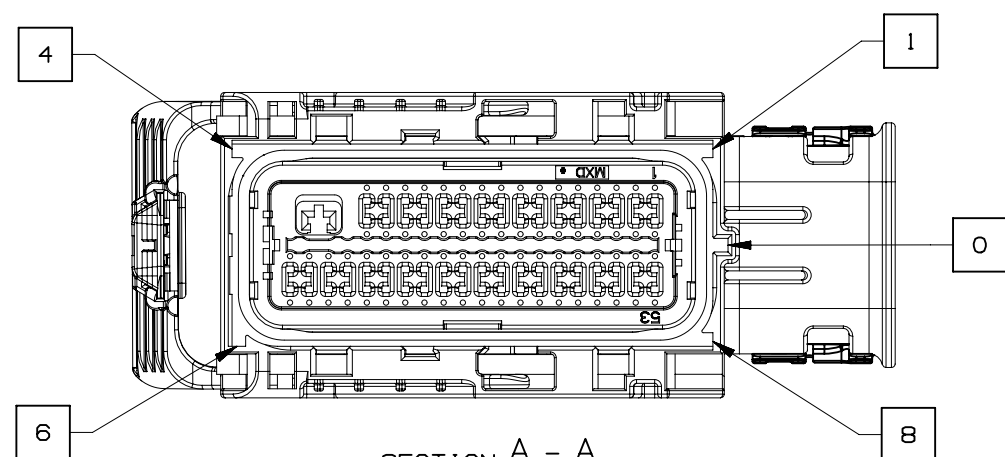
PAGE NUMBER  
10 OF 22



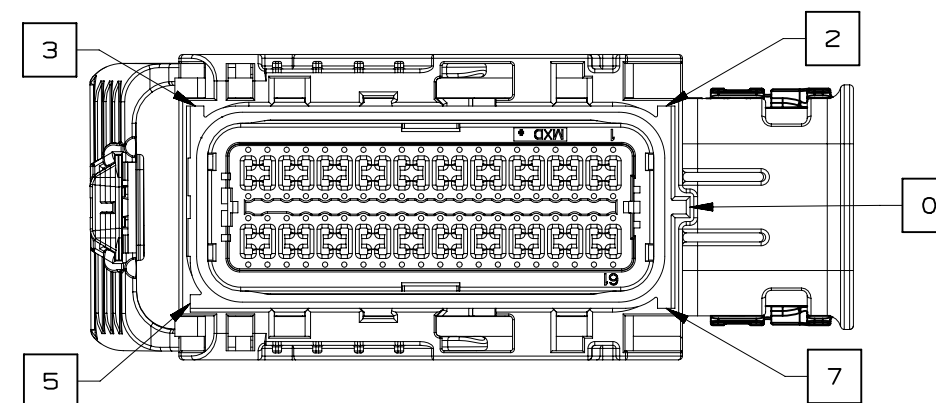
NOTE: REFERENCE THE COMPONENT TABLE FOR KEY OPTIONS AND CONFIGURATIONS



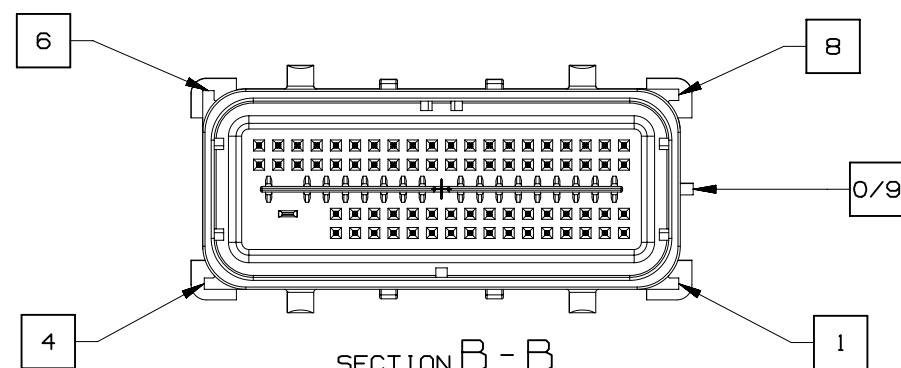
INTERFACE SIDE SHOWN ON ALL SECTION VIEWS



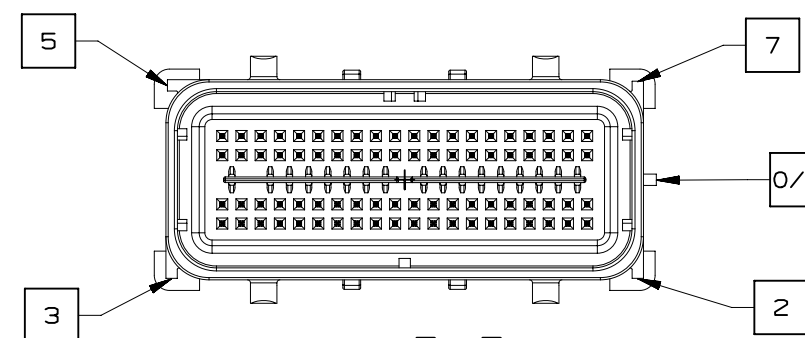
SECTION A - A  
73 CKT HARNESS CONNECTOR ASSEMBLY  
KEY OPTION B SHOWN



SECTION A - A  
80 CKT HARNESS CONNECTOR ASSEMBLY  
KEY OPTION K SHOWN



SECTION B - B  
73 CKT HARNESS CONNECTOR ASSEMBLY  
KEY OPTION B SHOWN



SECTION B - B  
80 CKT HARNESS CONNECTOR ASSEMBLY  
KEY OPTION K SHOWN

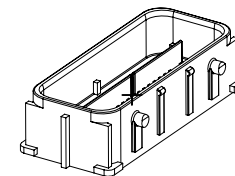
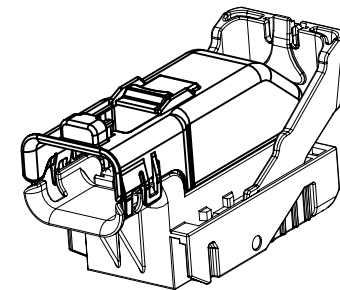
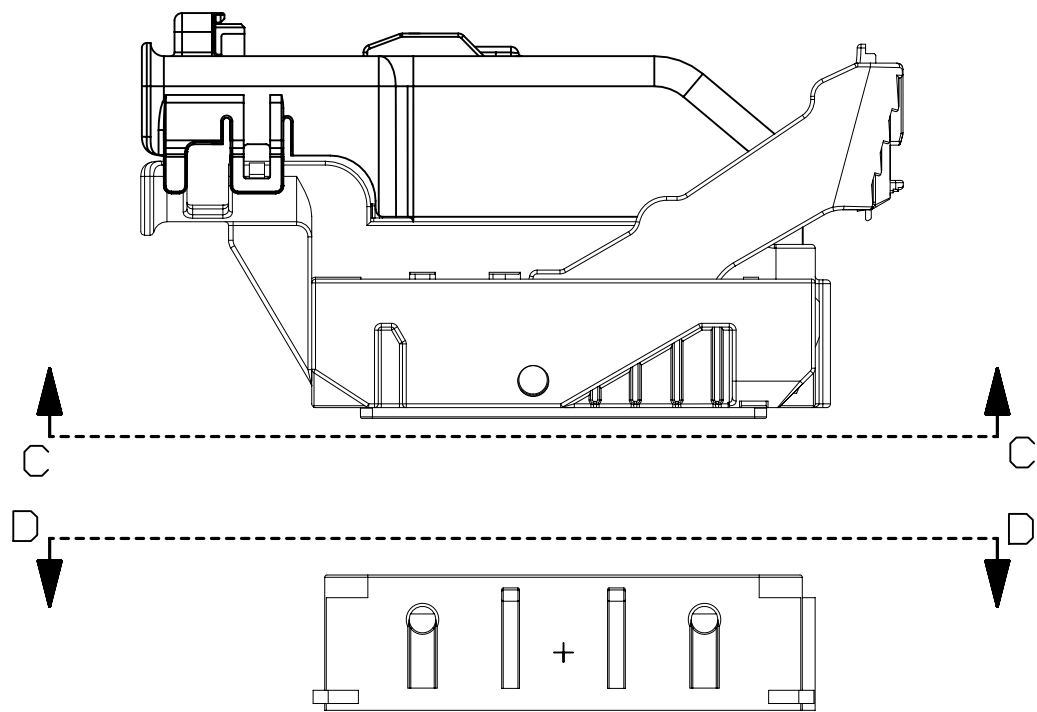


PAGE TITLE  
KEY ID REF - WIRE DRESS OPTION 0

DRAWING NUMBER  
12672833

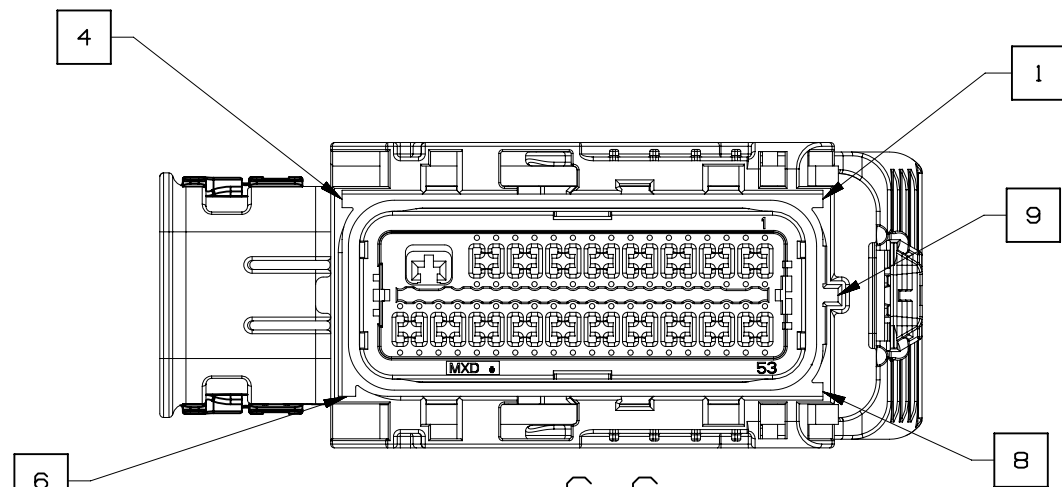
DWG STATUS		
ST	REV	PD1
R	001	

PAGE NUMBER  
11 OF 22

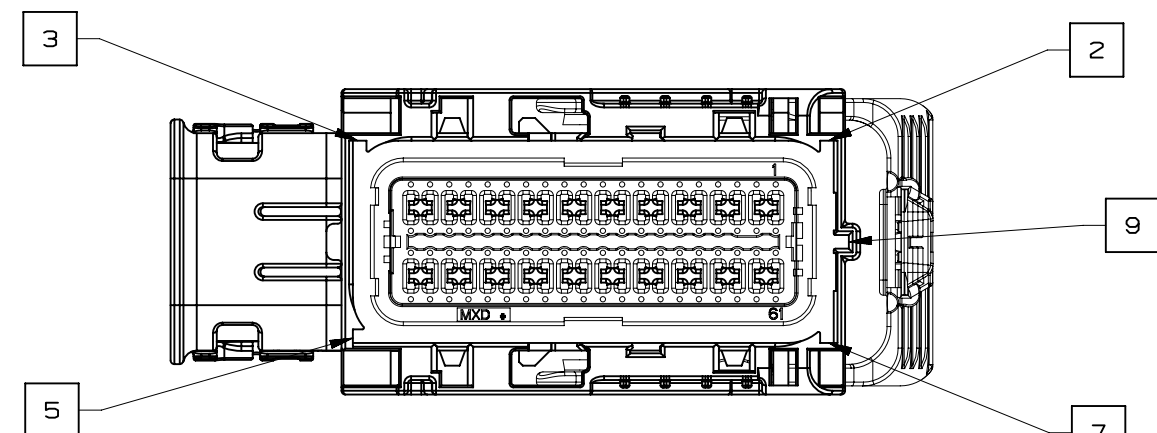


NOTE: REFERENCE THE COMPONENT TABLE FOR KEY OPTIONS AND CONFIGURATIONS

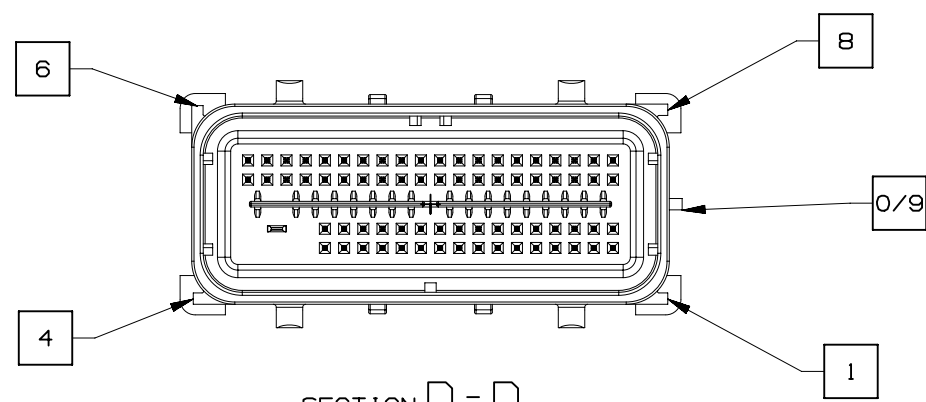
INTERFACE SIDE SHOWN ON ALL SECTION VIEWS



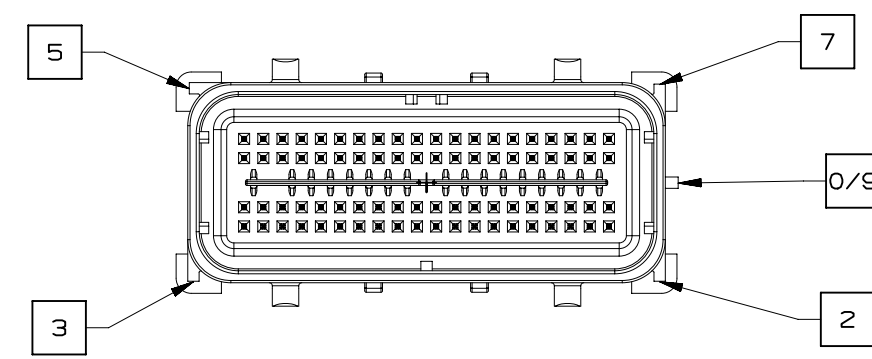
SECTION C - C  
73 CKT HARNESS CONNECTOR ASSEMBLY  
KEY OPTION B SHOWN



SECTION C - C  
80 CKT HARNESS CONNECTOR ASSEMBLY  
KEY OPTION K SHOWN



SECTION D - D  
73 CKT HARNESS CONNECTOR ASSEMBLY  
KEY OPTION B SHOWN



SECTION D - D  
80 CKT HARNESS CONNECTOR ASSEMBLY  
KEY OPTION K SHOWN

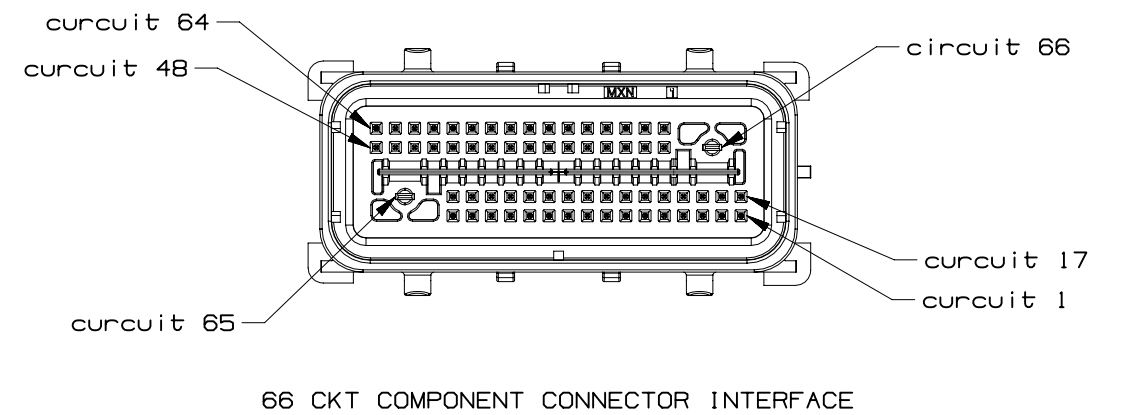
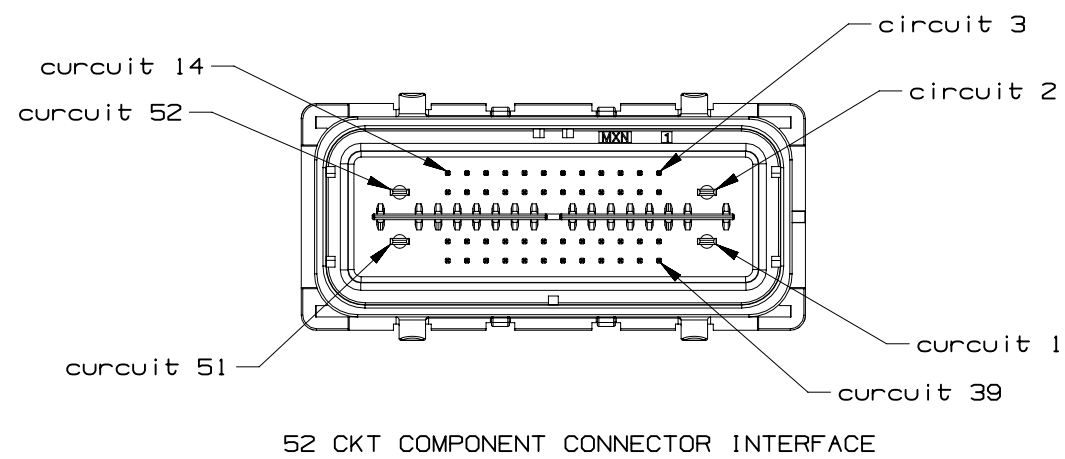
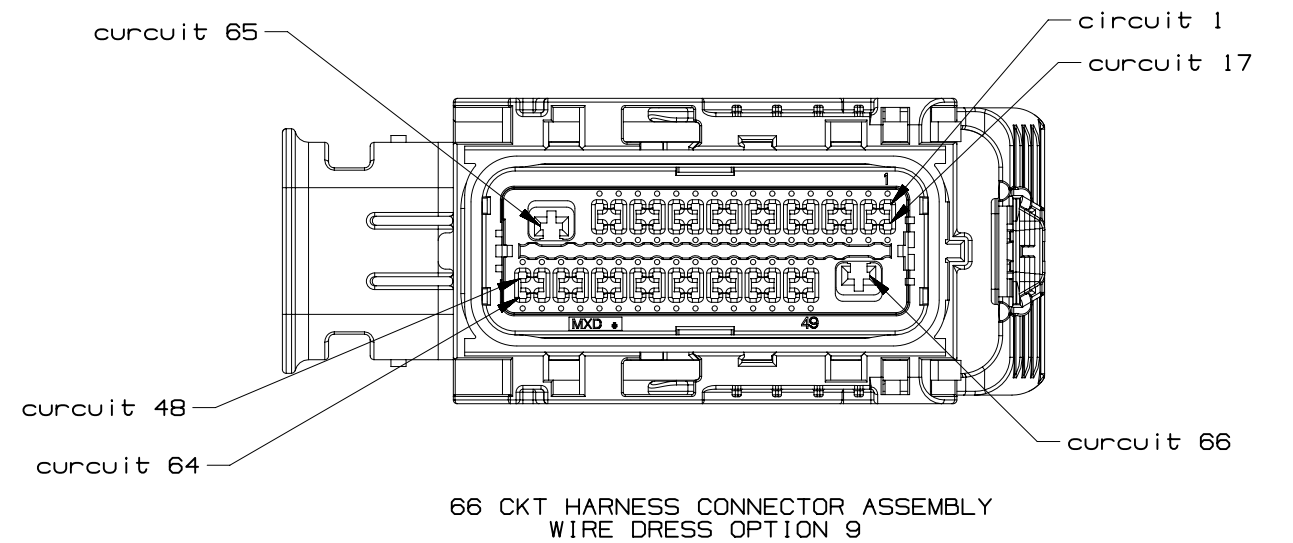
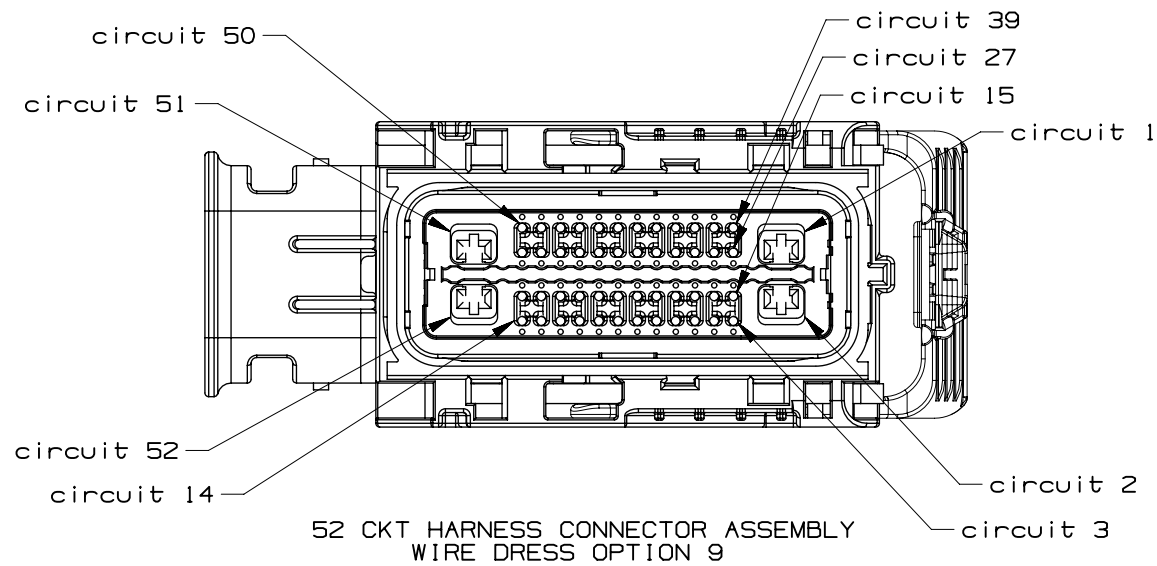
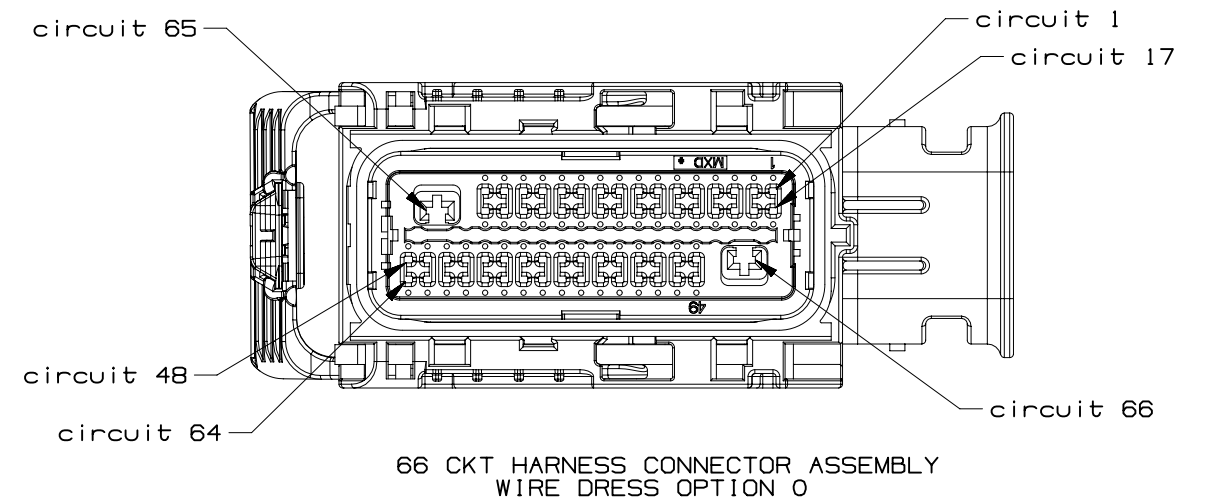
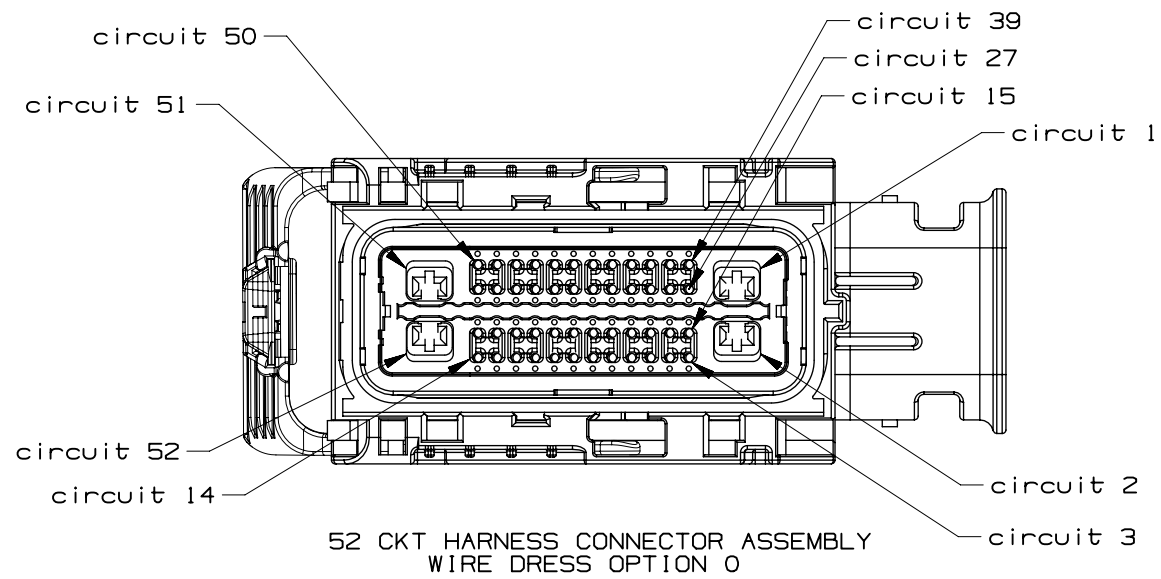


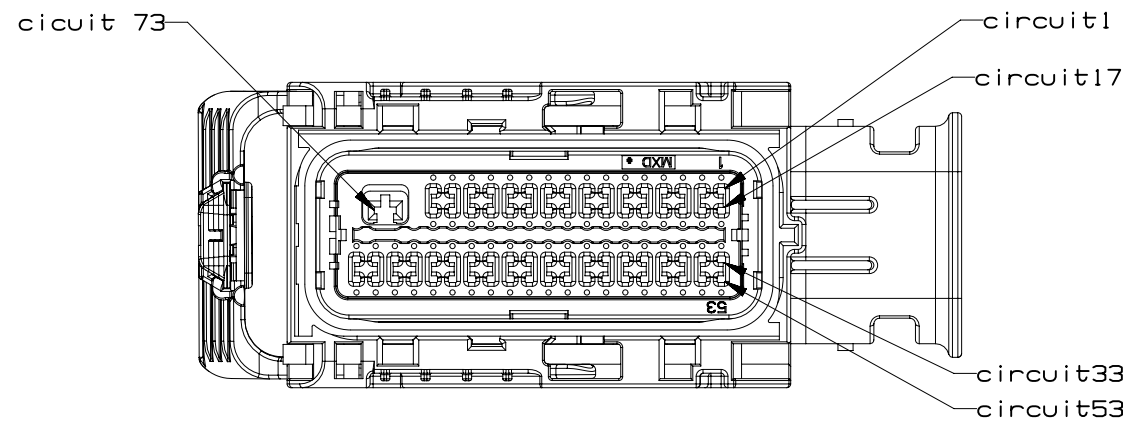
PAGE TITLE  
KEY ID REF - WIRE DRESS OPTION 9

DRAWING NUMBER  
12672833

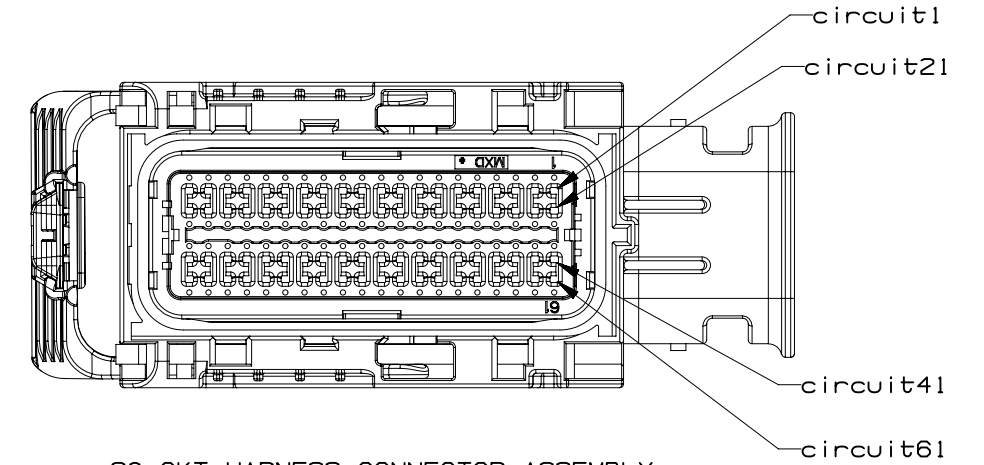
DWG STATUS		
ST	REV	PD1
R	001	

PAGE NUMBER  
12 OF 22



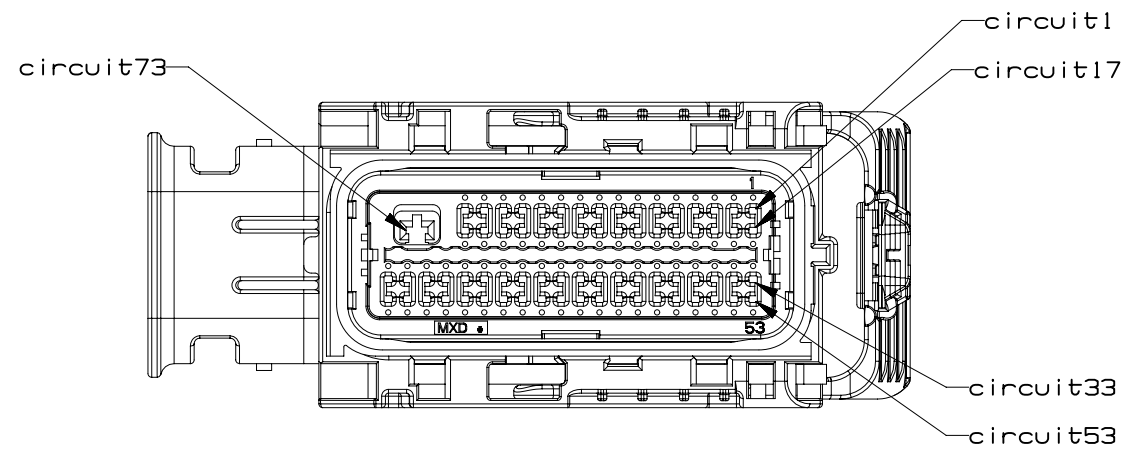


73 CKT HARNESS CONNECTOR ASSEMBLY  
WIRE DRESS OPTION 0

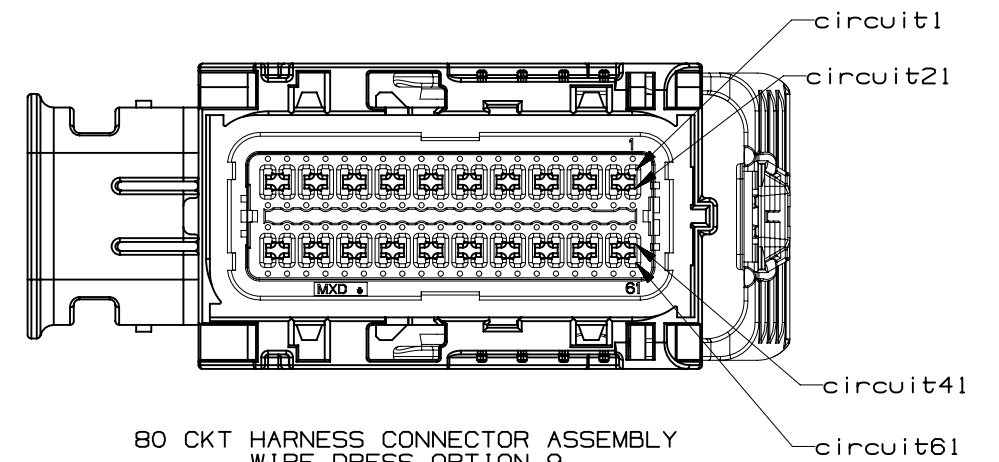


80 CKT HARNESS CONNECTOR ASSEMBLY  
WIRE DRESS OPTION 0

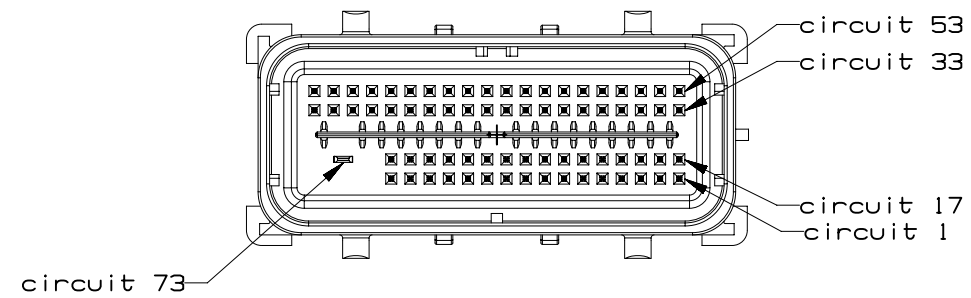
INTERFACE SIDE SHOWN ON ALL VIEWS



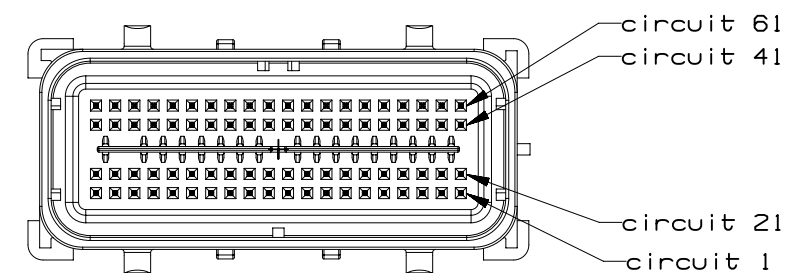
73 CKT HARNESS CONNECTOR ASSEMBLY  
WIRE DRESS OPTION 9



80 CKT HARNESS CONNECTOR ASSEMBLY  
WIRE DRESS OPTION 9

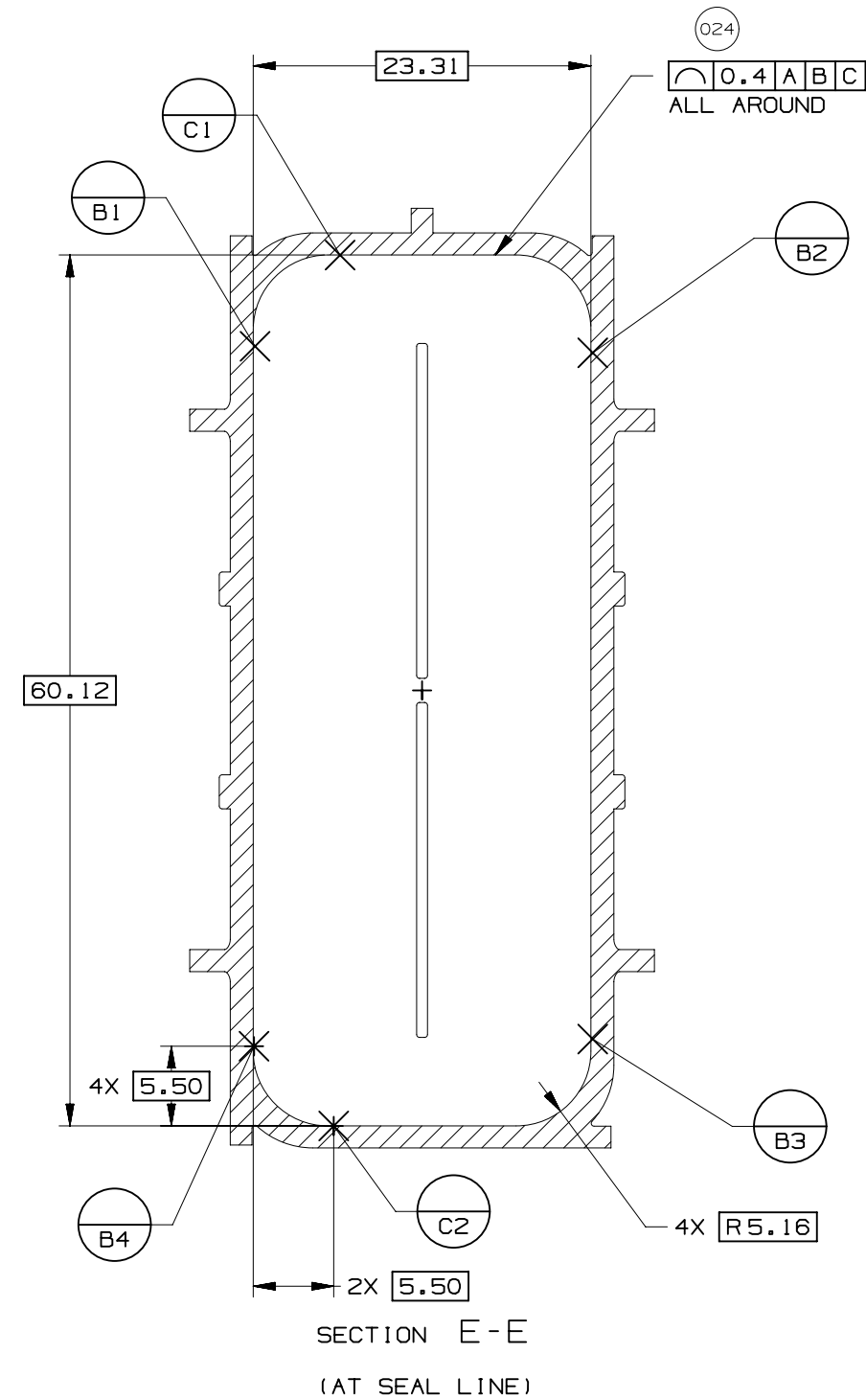
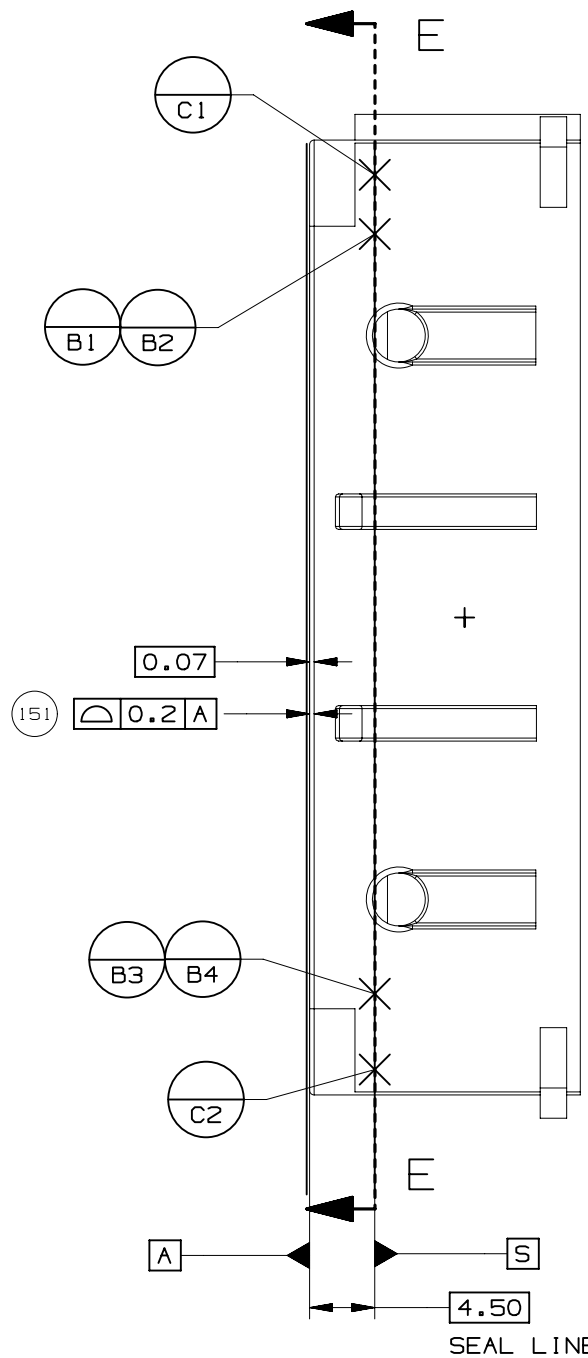
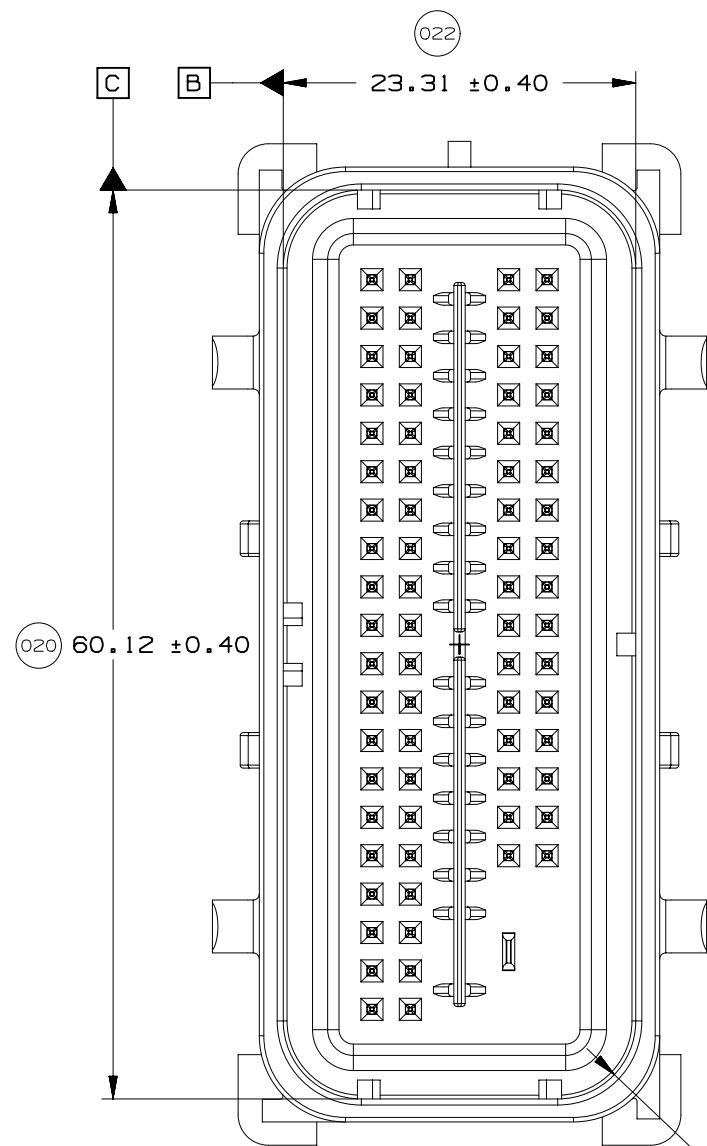
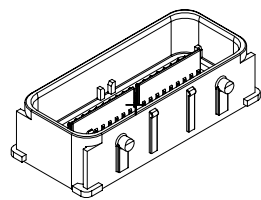


73 CKT COMPONENT CONNECTOR INTERFACE



80 CKT COMPONENT CONNECTOR INTERFACE





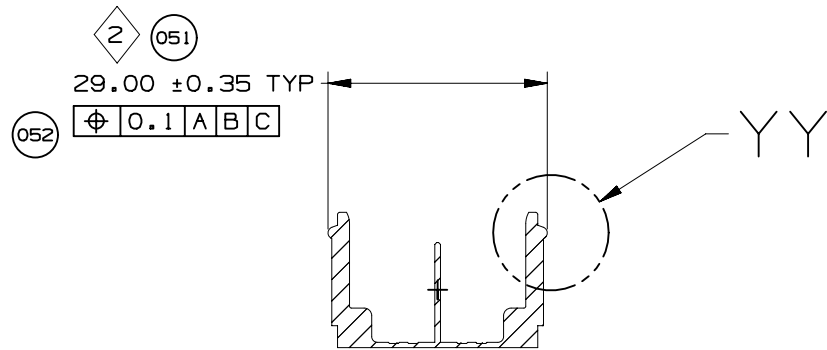
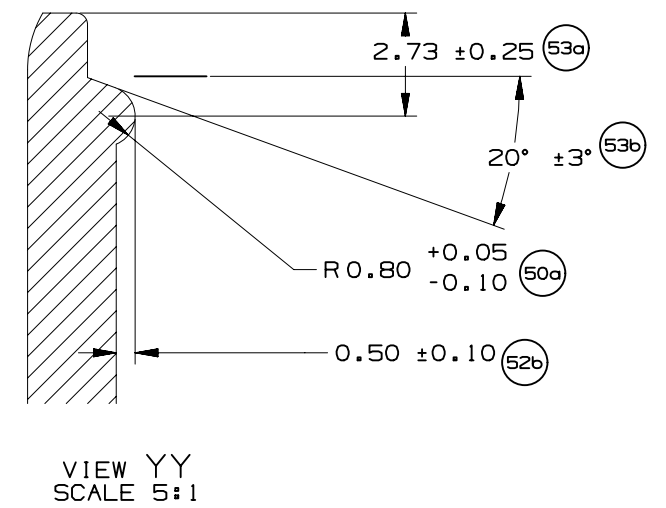
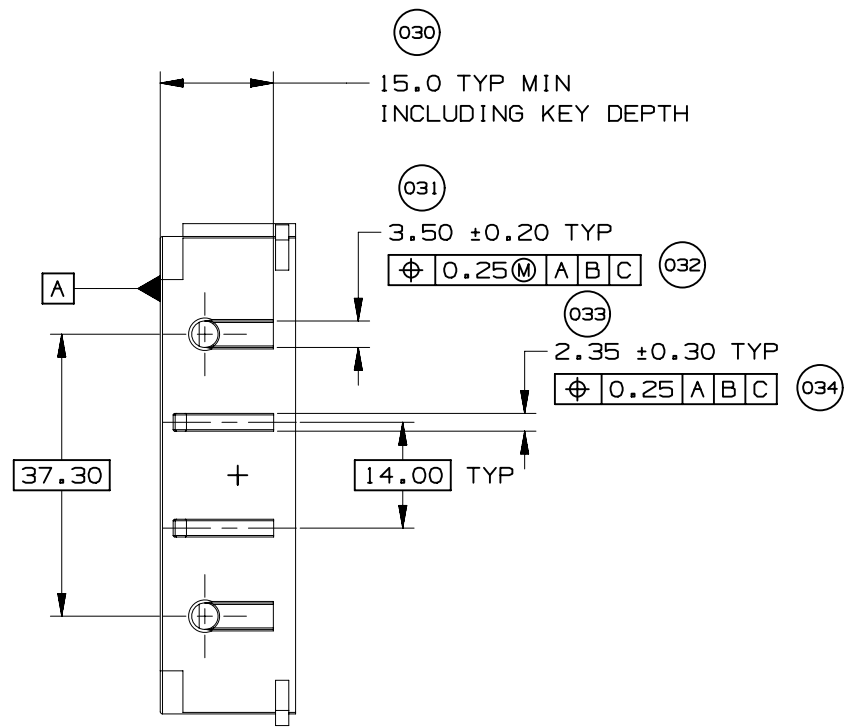
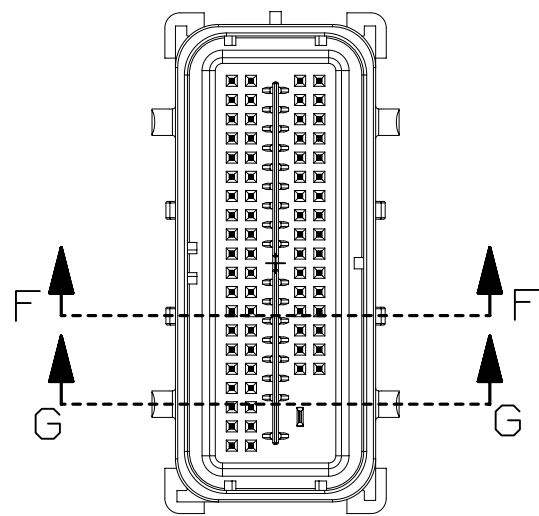
UNLESS SPECIFIED, TOLERANCE OF THE COMPONENT CONNECTOR INTERFACE TO BE 0.13 A B C



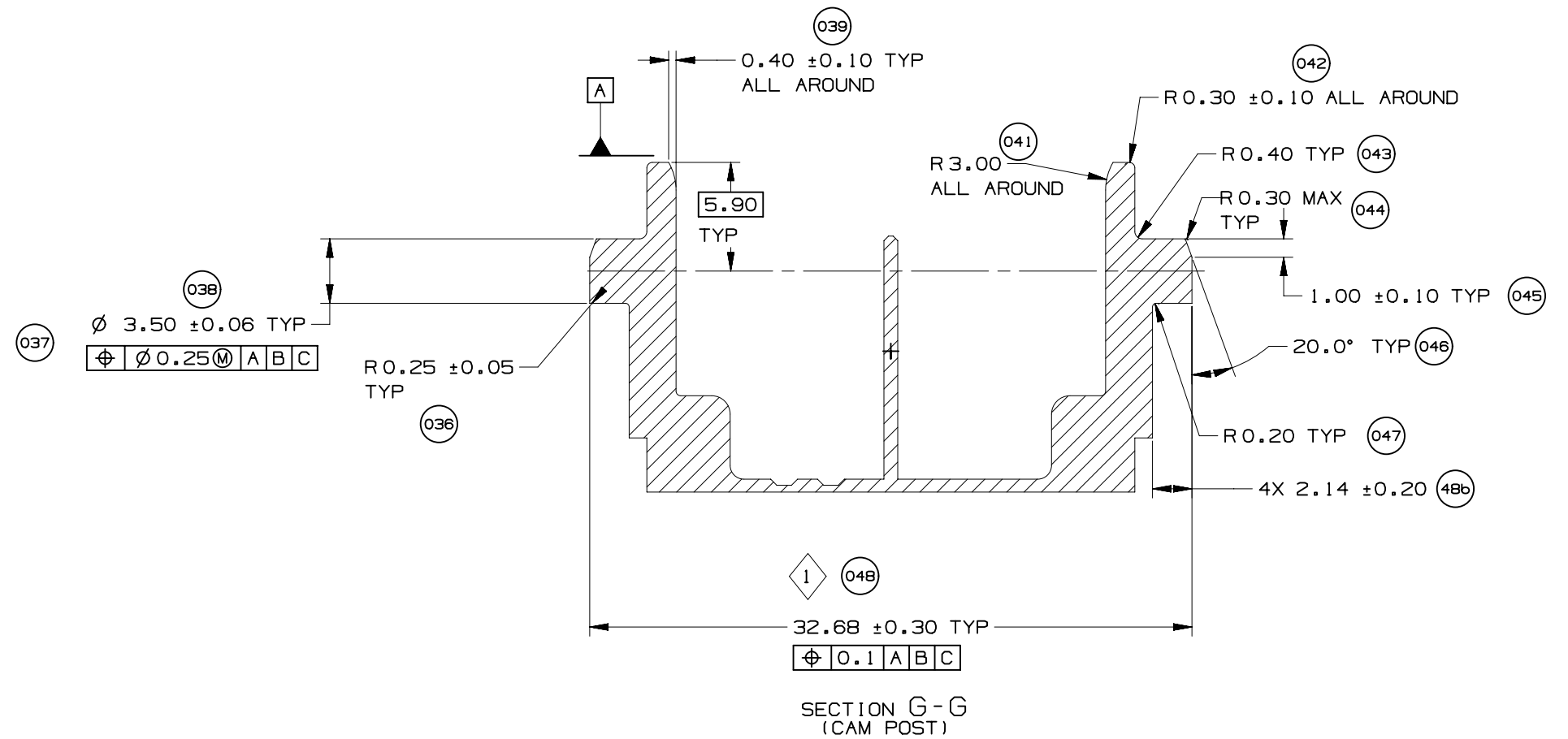
PAGE TITLE  
COMPONENT CONNECTOR INTERFACE

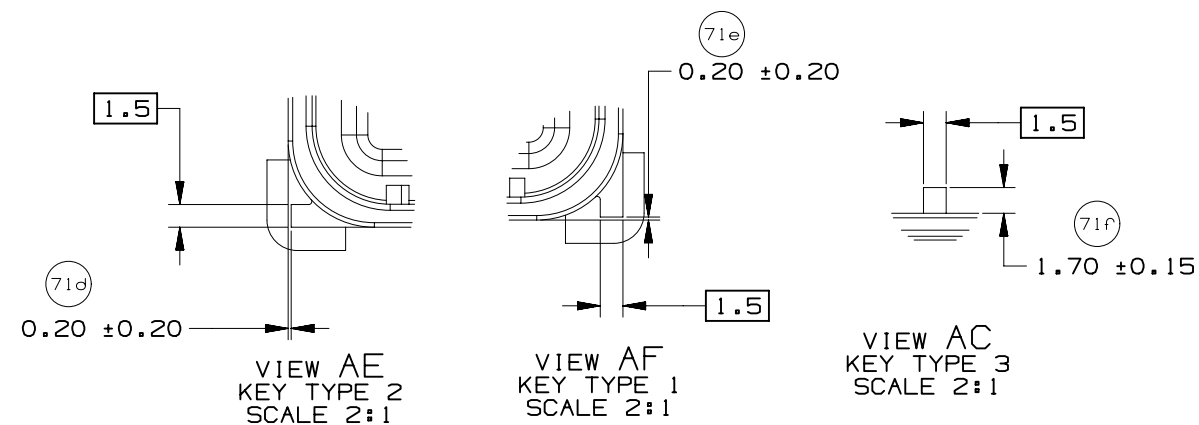
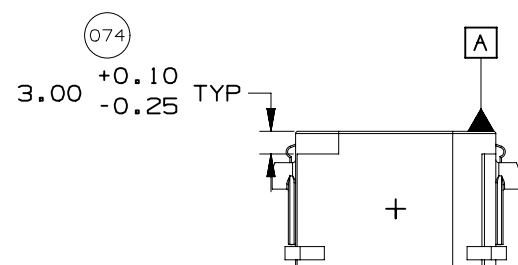
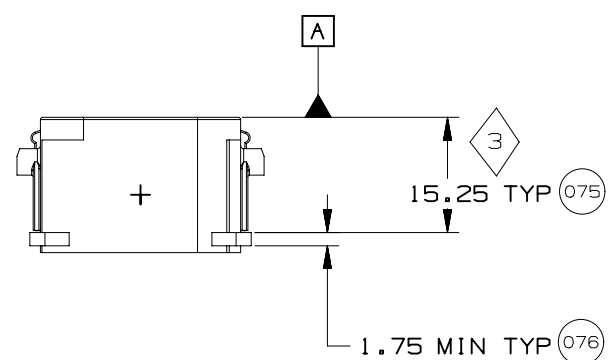
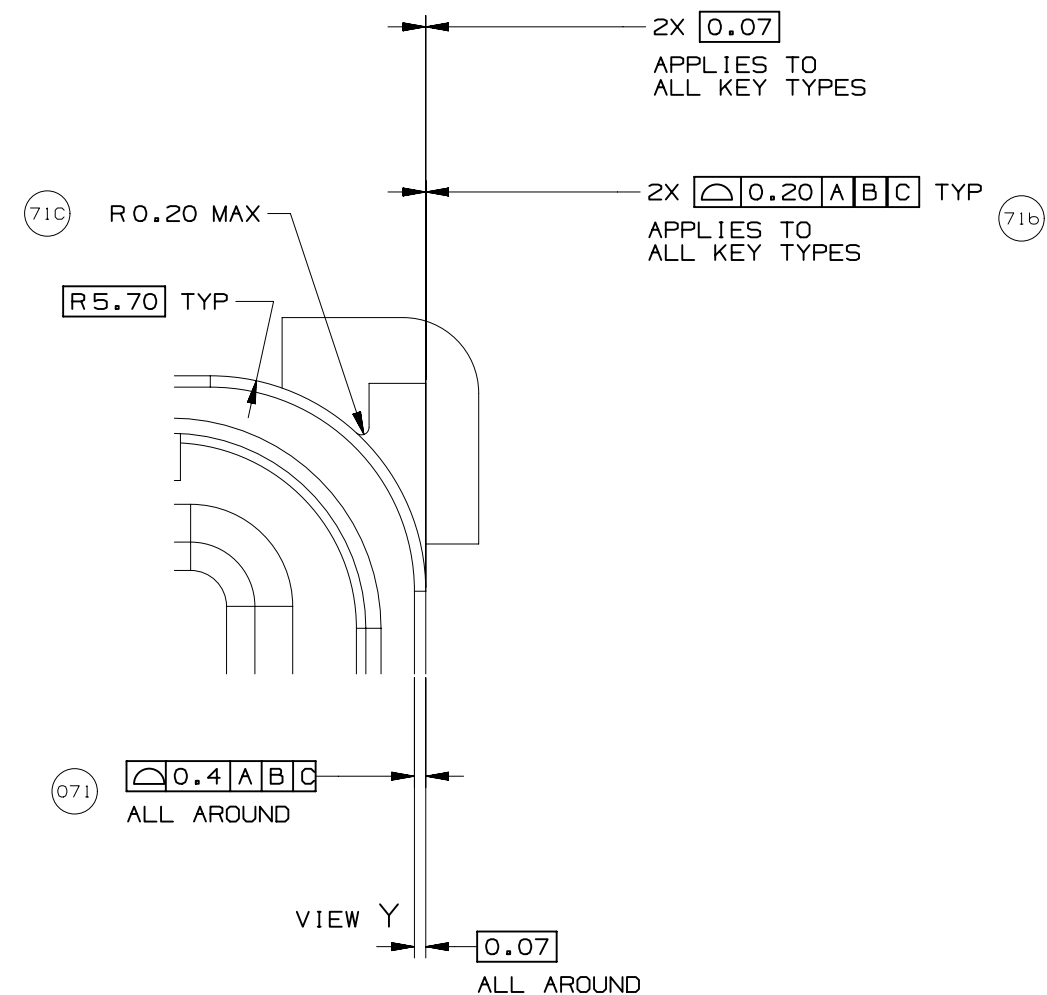
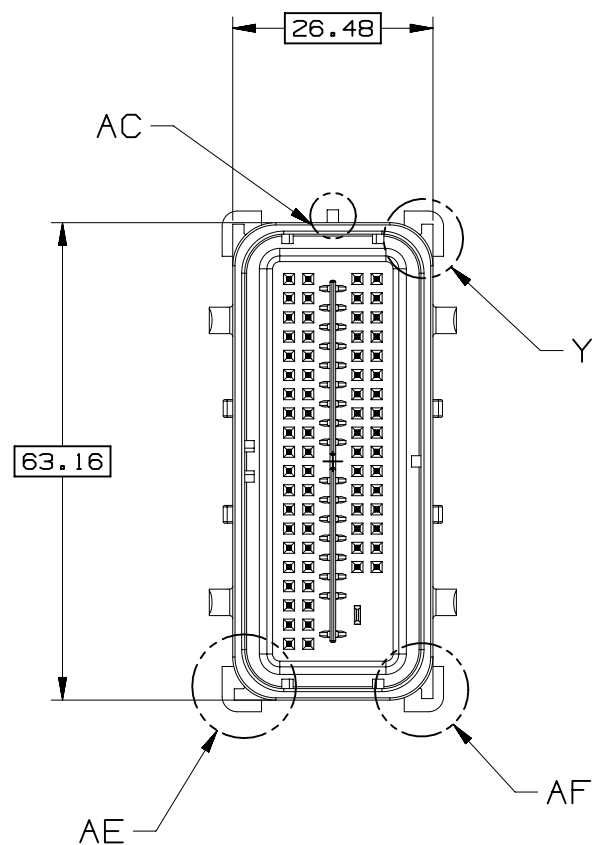
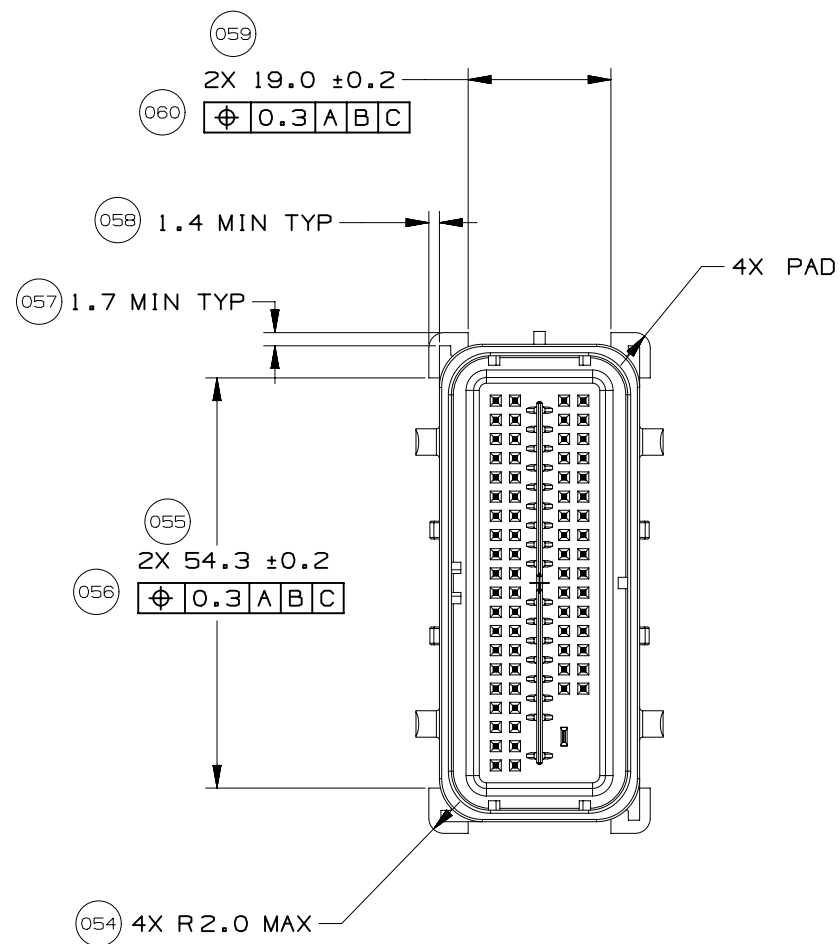
DRAWING NUMBER  
12672833

DWG STATUS			PAGE NUMBER
ST	REV	PD1	
R	001		15 OF 22



SECTION F-F  
(RELEASE FEATURE)



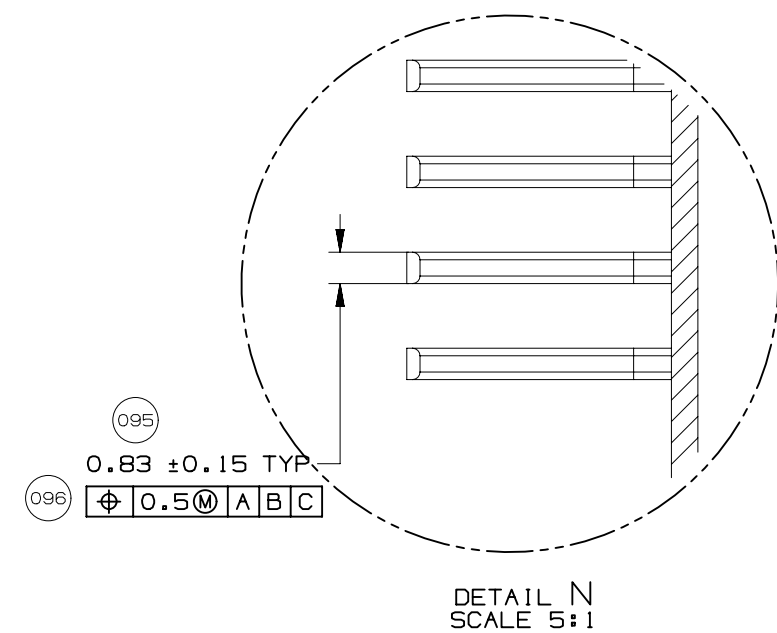
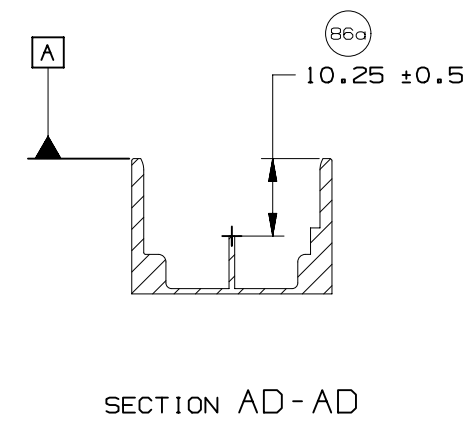
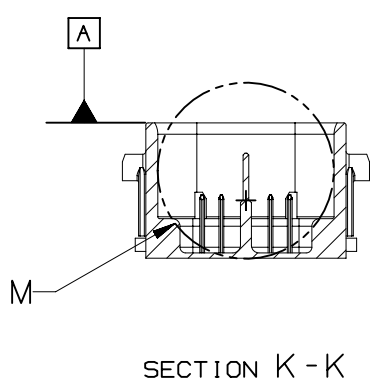
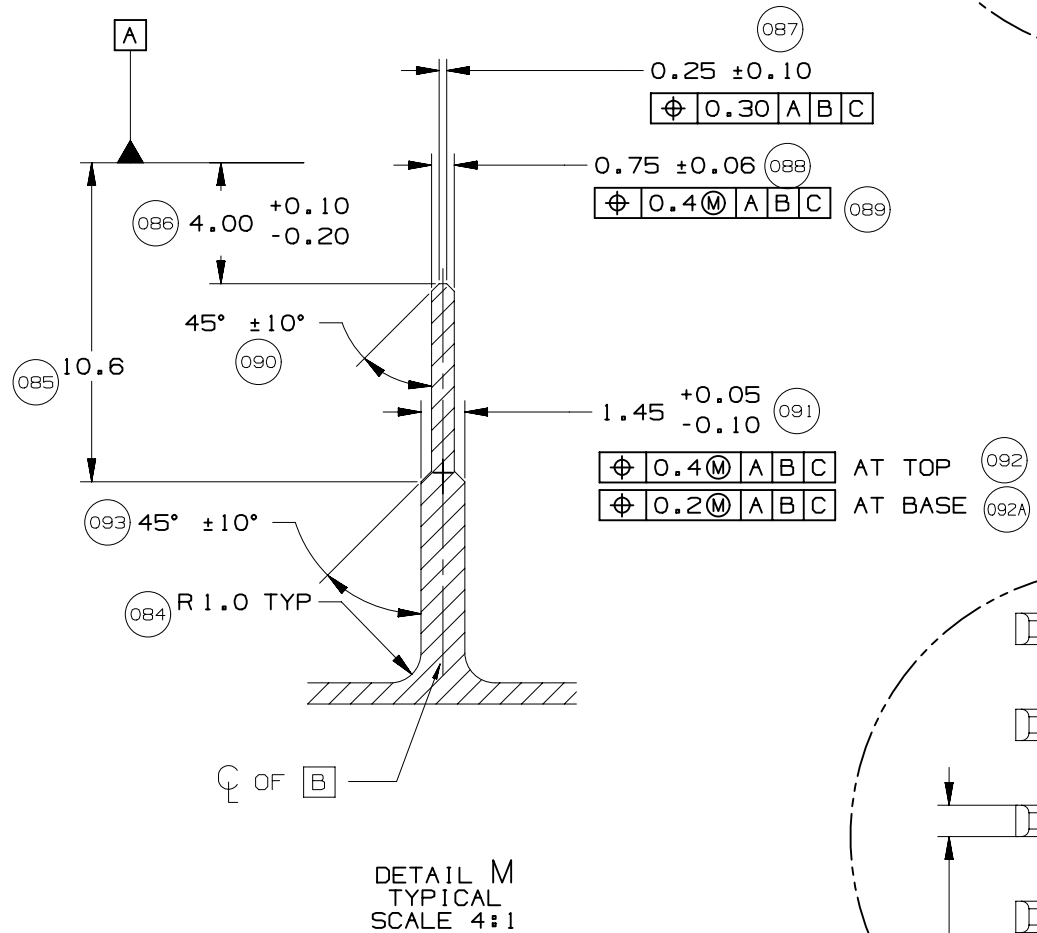
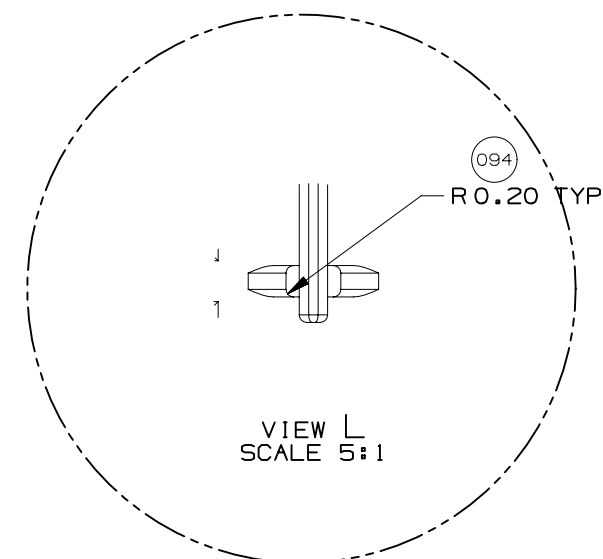
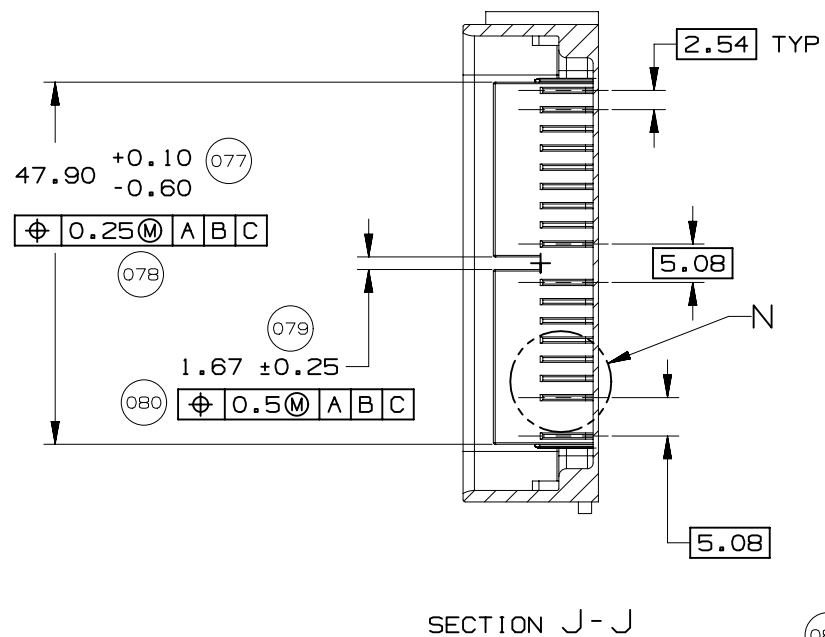
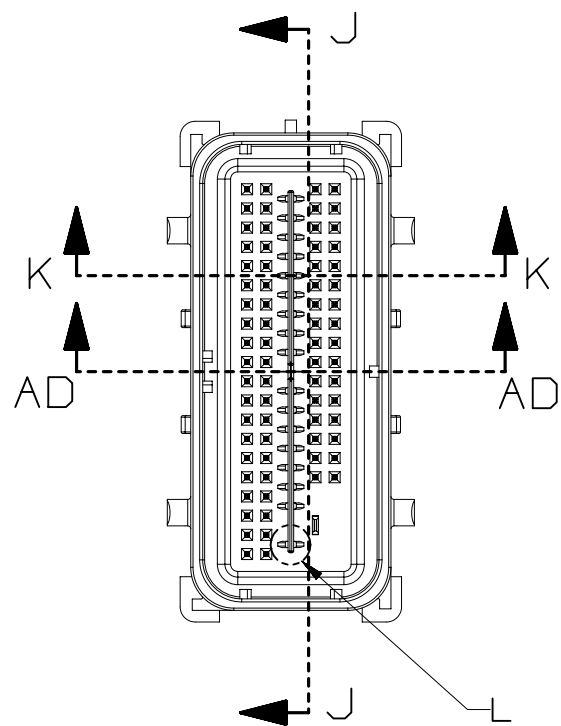


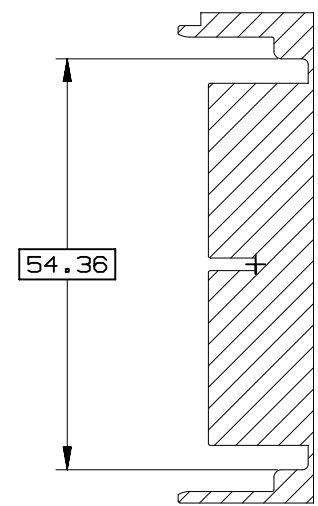
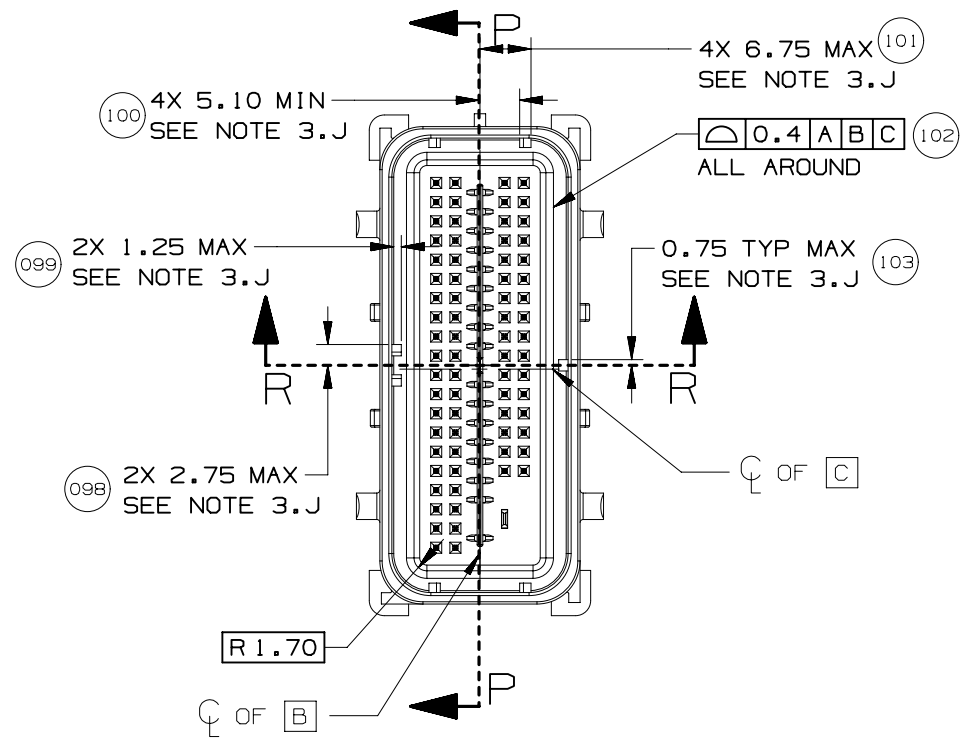
PAGE TITLE  
 COMPONENT CONNECTOR INTERFACE

DRAWING NUMBER  
 12672833

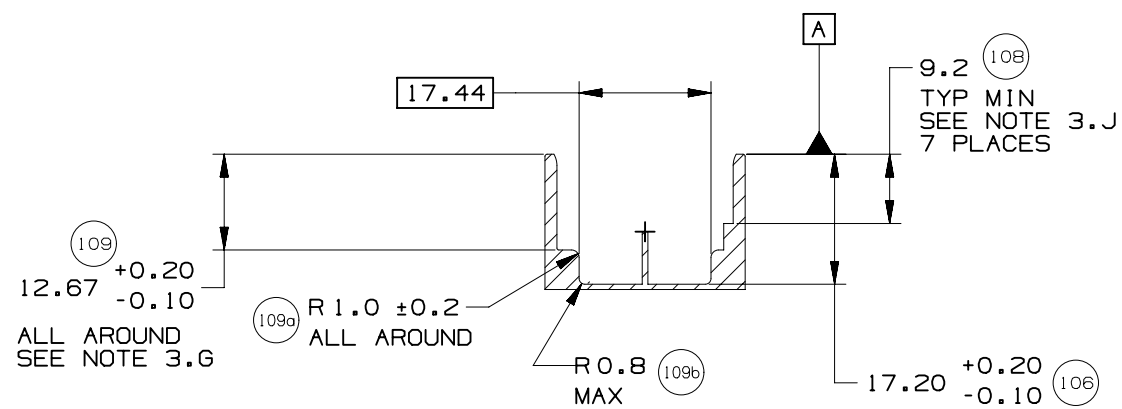
DWG STATUS			PAGE NUMBER	
ST	REV	PD1		
R	001		17	OF 22







SECTION P-P



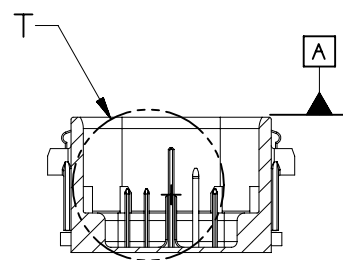
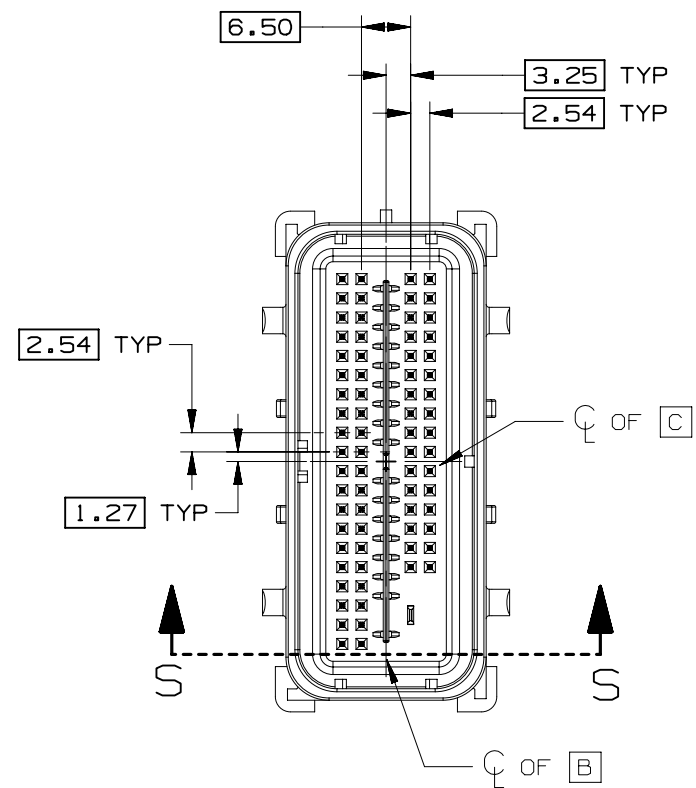
SECTION R-R



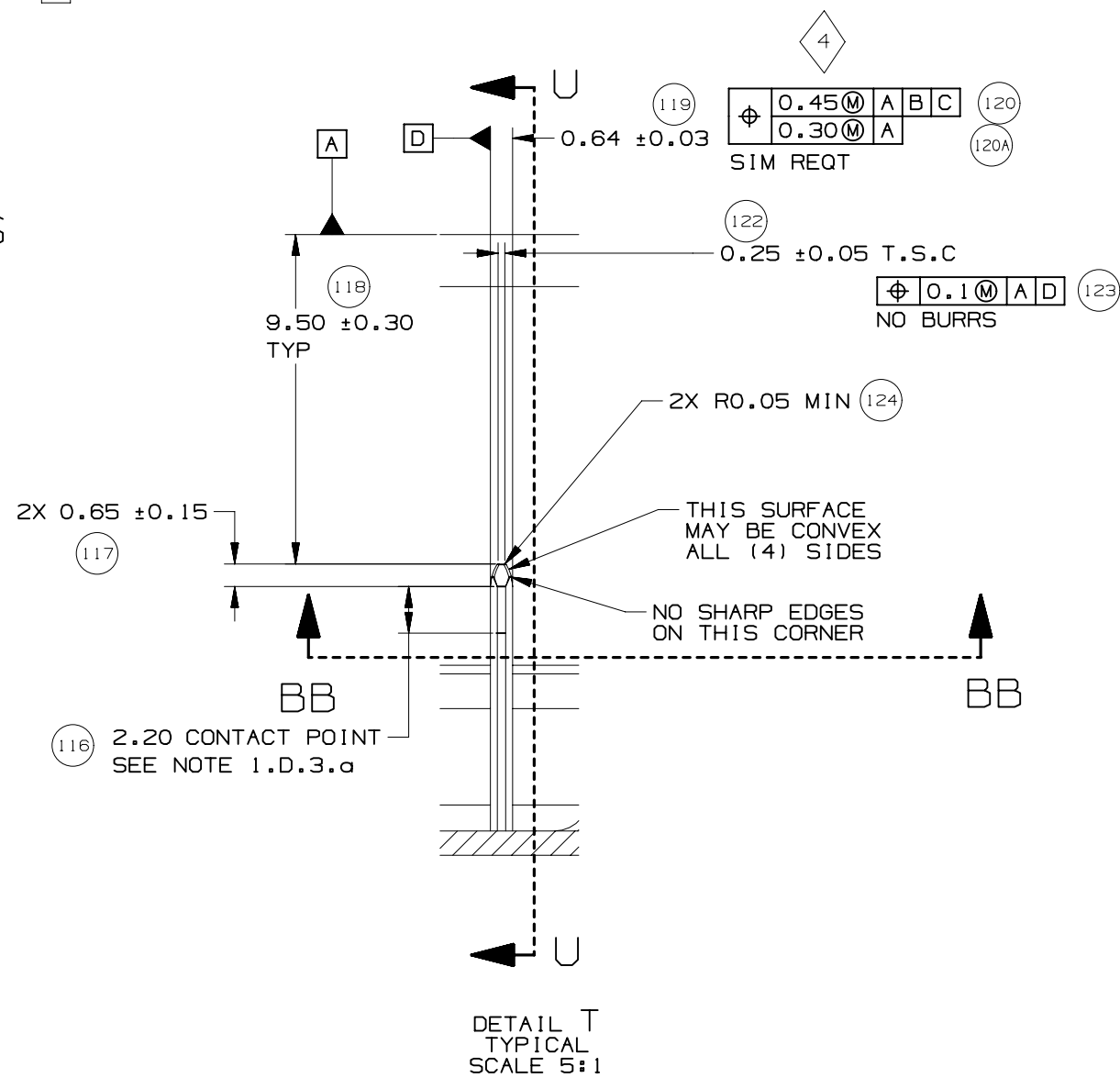
PAGE TITLE  
COMPONENT CONNECTOR INTERFACE

DRAWING NUMBER  
12672833

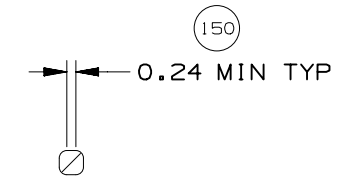
DWG STATUS			PAGE NUMBER	
ST	REV	PD1	19	OF 22
R	001			



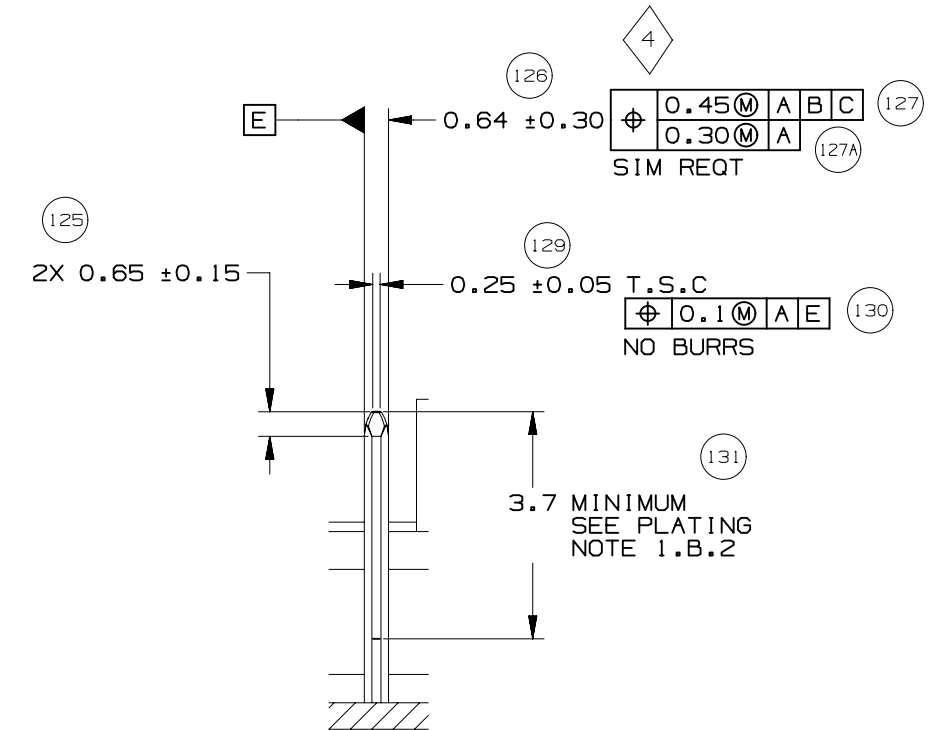
SECTION S-S



DETAIL T  
TYPICAL  
SCALE 5:1



SECTION BB-BB



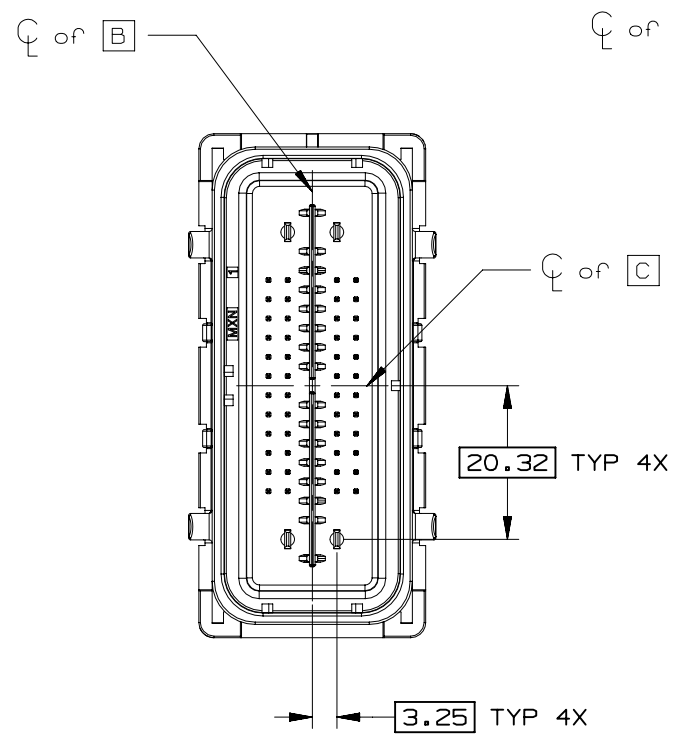
SECTION U-U  
TYPICAL



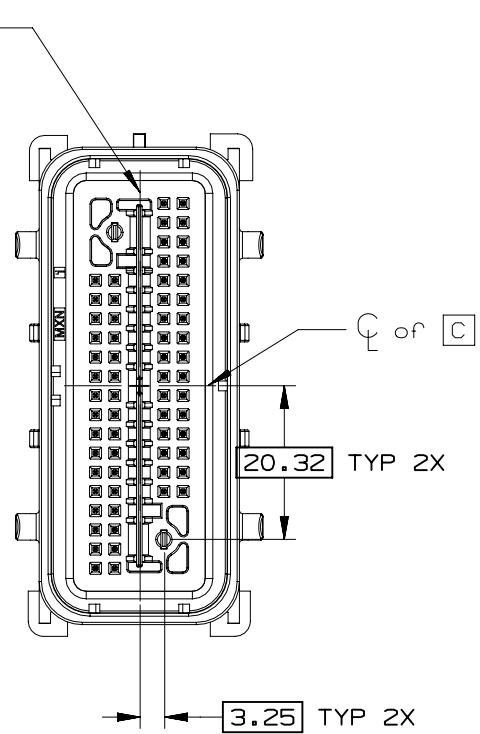
PAGE TITLE  
COMPONENT CONNECTOR INTERFACE

DRAWING NUMBER  
12672833

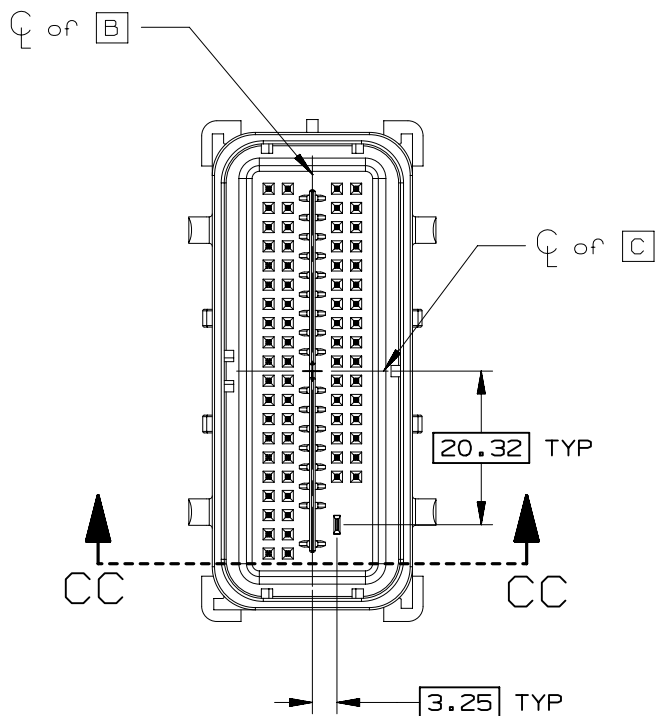
DWG STATUS			PAGE NUMBER
ST	REV	PD1	
R	001		20 OF 22



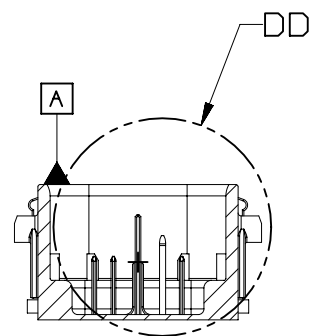
52 CKT COMPONENT  
CONNECTOR INTERFACE



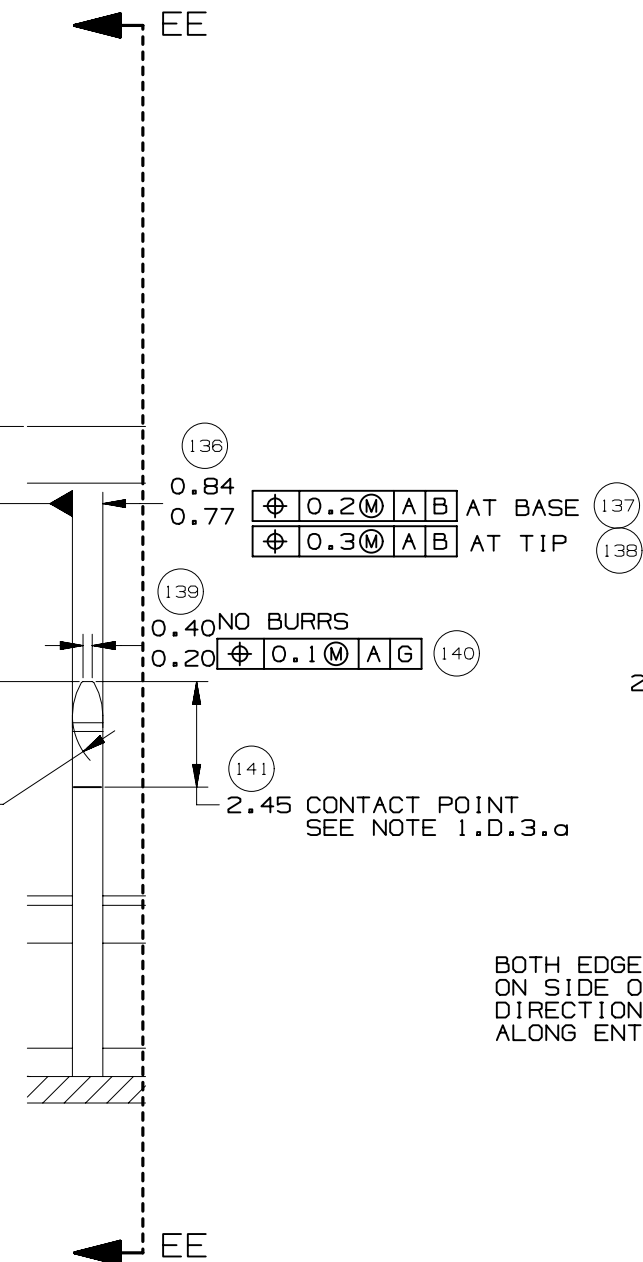
66 CKT COMPONENT  
CONNECTOR INTERFACE



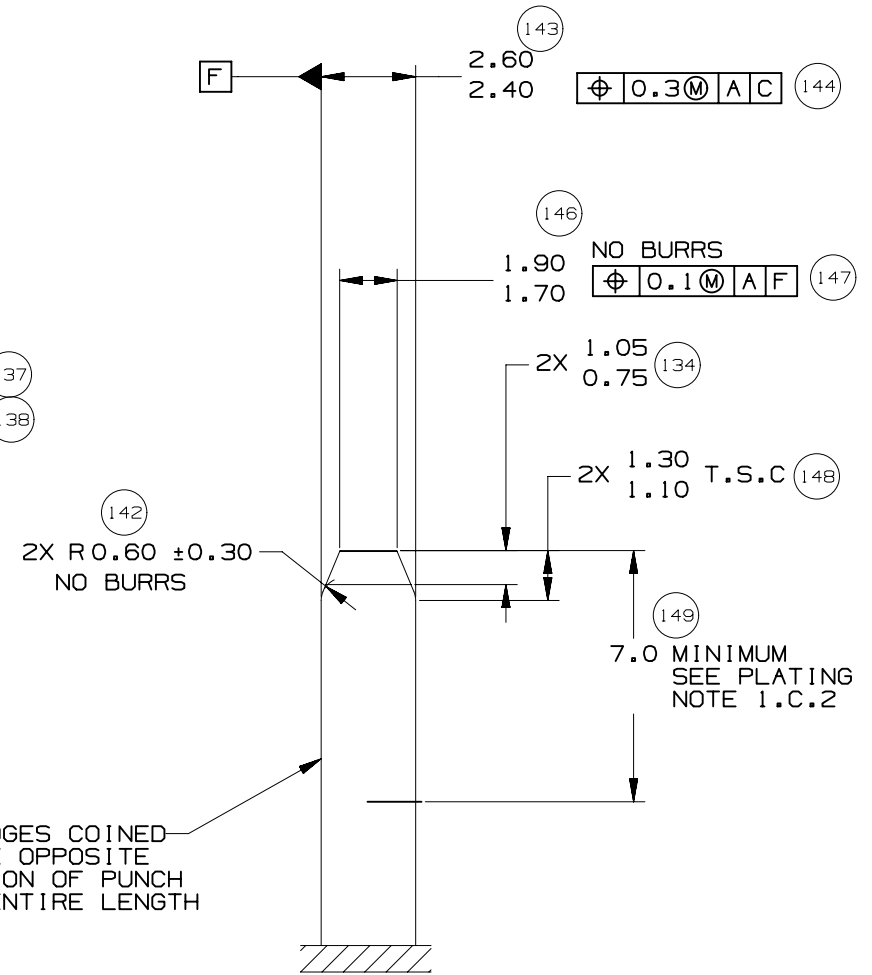
73 CKT COMPONENT  
CONNECTOR INTERFACE



SECTION CC-CC



DETAIL DD  
TYPICAL  
SCALE 5:1



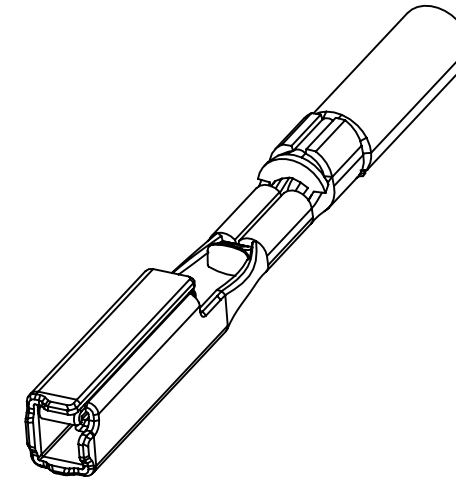
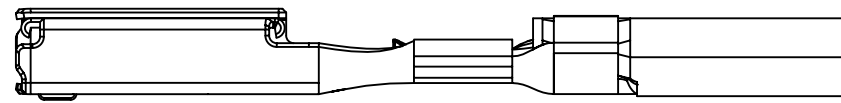
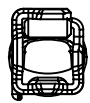
SECTION EE-EE  
TYPICAL

BOTH EDGES COINED  
ON SIDE OPPOSITE  
DIRECTION OF PUNCH  
ALONG ENTIRE LENGTH



MOLEX MX64 RECEPTACLE TERMINAL INFORMATION

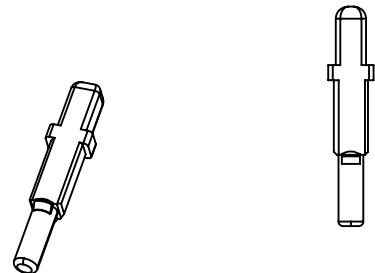
ITEM	MOLEX P/N	GM P/N	WIRE SIZE MM2	TYPE	PLATING	REEL WIND DIRECTION	COMMENTS
1	34736-0025		0.35	ISO	SILVER	LEFT	
2	34736-0026	12672850	0.35	ISO	SILVER	RIGHT	
3	34736-0027		0.5 / 0.75	ISO	SILVER	LEFT	
4	34736-0028	12672851	0.5 / 0.75	ISO	SILVER	RIGHT	



CAVITY PLUGS

ITEM	MFG	MFG P/N	GM P/N RD	SIZE	COLOR	MFG DRAWING	PROD SPEC	APP SPEC	COMMENTS
1	MOLEX	34586-0001	12674820	0.64	NATURAL	SD-34586-001	PS-34566-0000	AS-34566-001	
2	YAZAKI	7158-3114-90	12674821	2.8	BLUE	7158-3114-90	YPES-11-04-062	YPES-15-299	

ITEM 1



ITEM 2

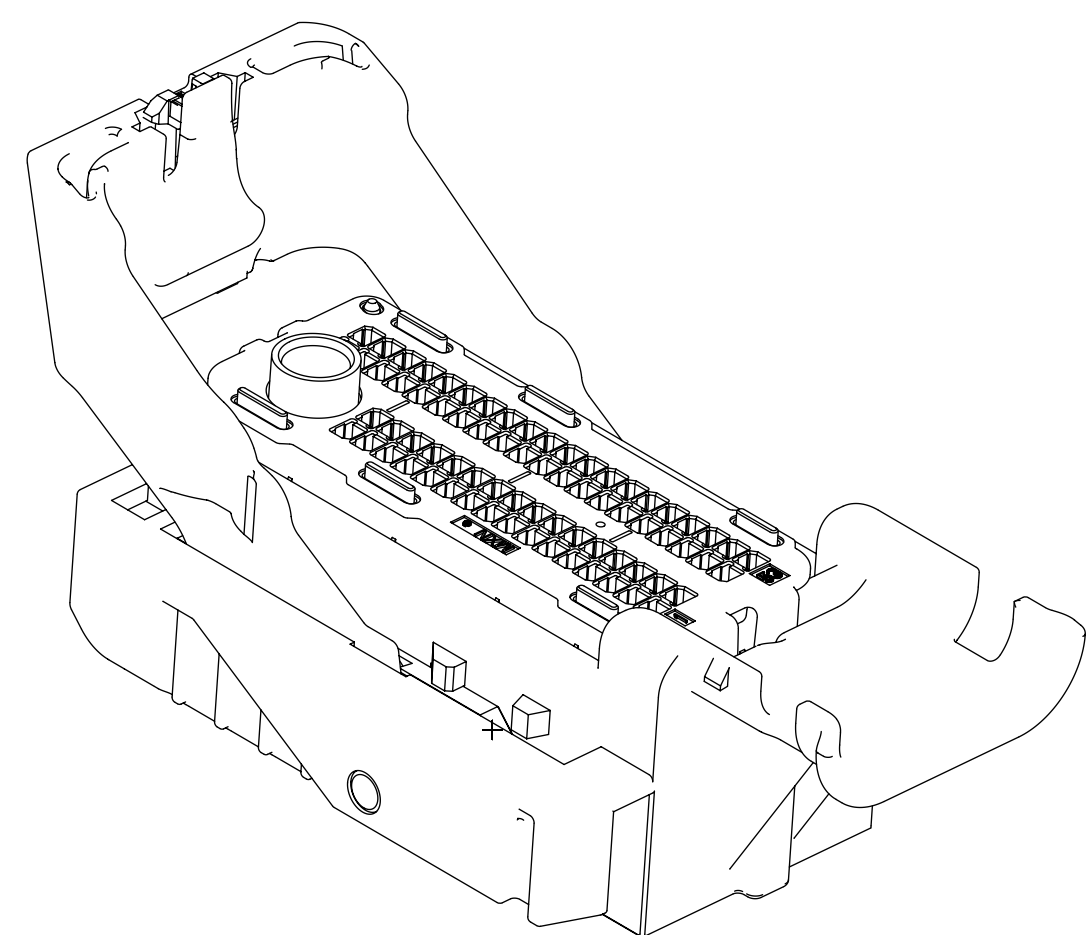


PAGE TITLE  
ADDITIONAL COMPONENTS REQUIRED

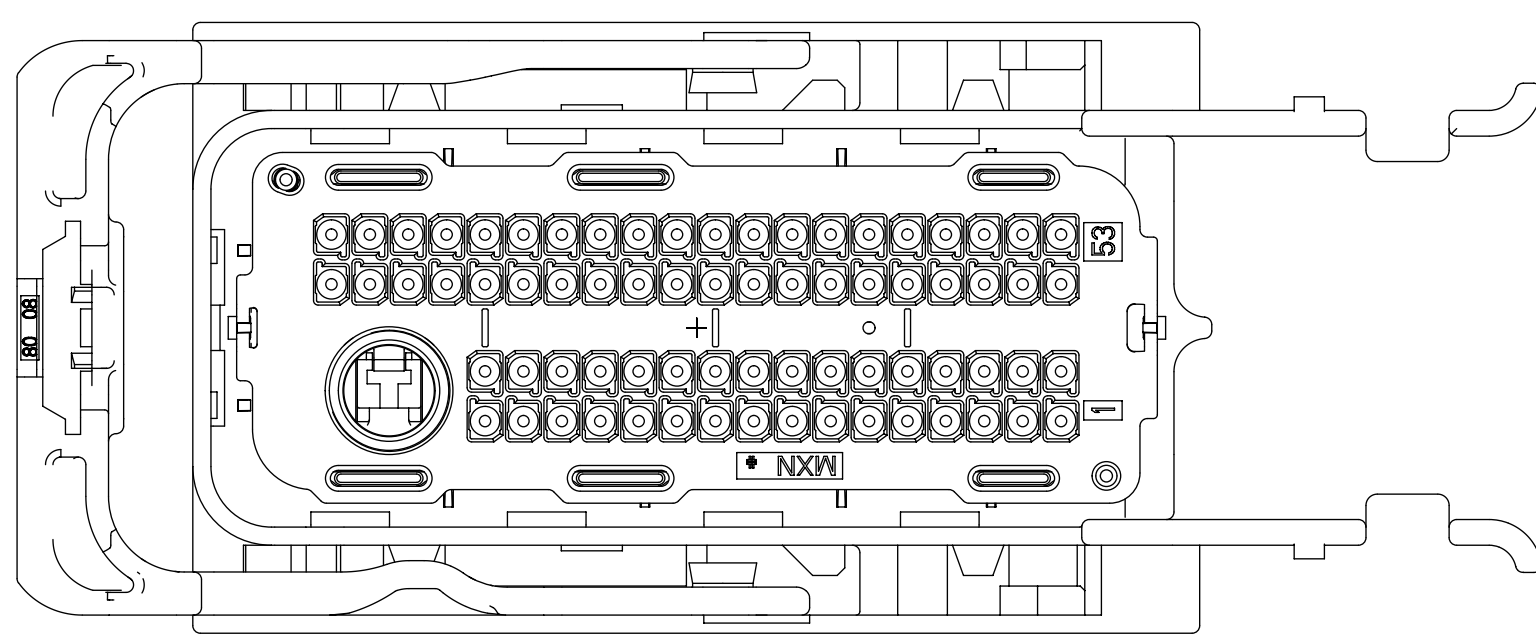
DRAWING NUMBER  
12672833

DWG STATUS		
ST	REV	PD1
R	001	

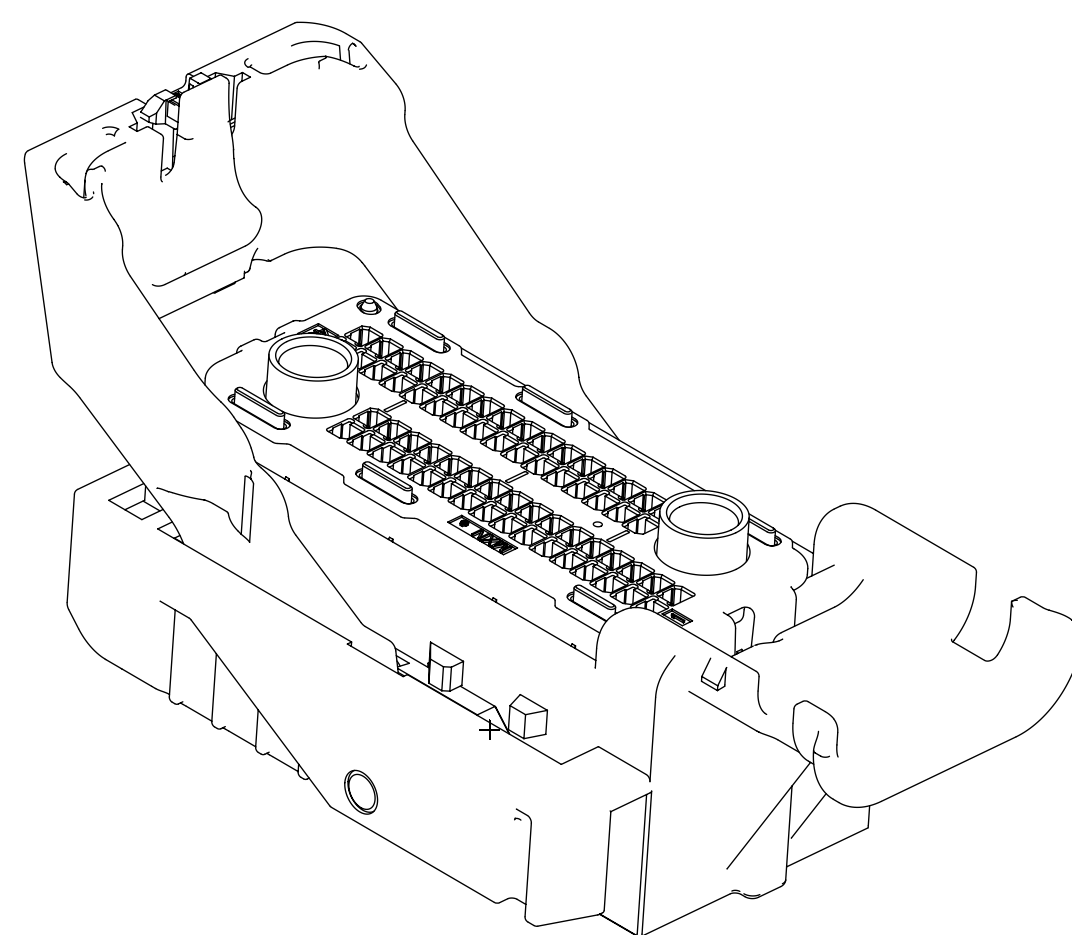
PAGE NUMBER  
22 OF 22



73 CKT  
SCALE 3:2



66 CKT  
SCALE 3:2



NOTES: UNLESS OTHERWISE SPECIFIED

1. MATERIAL:

- A. RESIN: SEE COMPONENT DRAWINGS
- B. COLOR: SEE TABLE

2. DESIGN - GENERAL:

- A. THIS IS A 100% CAD GENERATED PART. THE CAD MATHEMATICAL DATA IS THE MASTER FOR THIS PART. FOR DIMENSIONAL OR ANY INFORMATION NOT SHOWN ON THIS DRAWING, ANALYZE THE CAD MODEL.
- B. TOLERANCES:
  - a. LINEAR X.X ± 0.30  
X.XX ± 0.10  
X.XXX ± 0.10
  - b. ANGULAR X° ± 3.0°
- C. CORNERS SHOWN AS SHARP TO BE R 0.2 MAX.
- D. FOLLOWING PRODUCTION CODES TO BE PERMANENTLY MARKED & HUMAN READABLE TO A LETTER HEIGHT < 3mm.  
LINE #1: MATERIAL #:XXXX-XXXX  
LINE #2: DATE CODE: JJJY (JULIAN DAY, LAST DIGIT OF YEAR)  
LINE #3: INSPECTION MACHINE CODE + SERIAL #: X\_XXXX
- E-1. PARTS MUST BE FREE OF DISCOLORATION, SALT RESIDUE AND OTHER IMPERFECTIONS THAT AFFECT FIT OR FUNCTION.
- E-2. SCRATCHES OR DENTS NOT TO EXCEED 0.13mm IN DEPTH.
- F. CHANGES IN DESIGN FROM PART PREVIOUSLY APPROVED REQUIRES PRIOR ENGINEERING APPROVAL. THIS INCLUDES BUT IS NOT LIMITED TO DRAFT, MATERIAL OR PROCESSING.
- G. SHALL CONFORM TO THE FOLLOWING PACKAGING SPECIFICATION:PK-31300-019

3. DESIGN - MANUFACTURING:

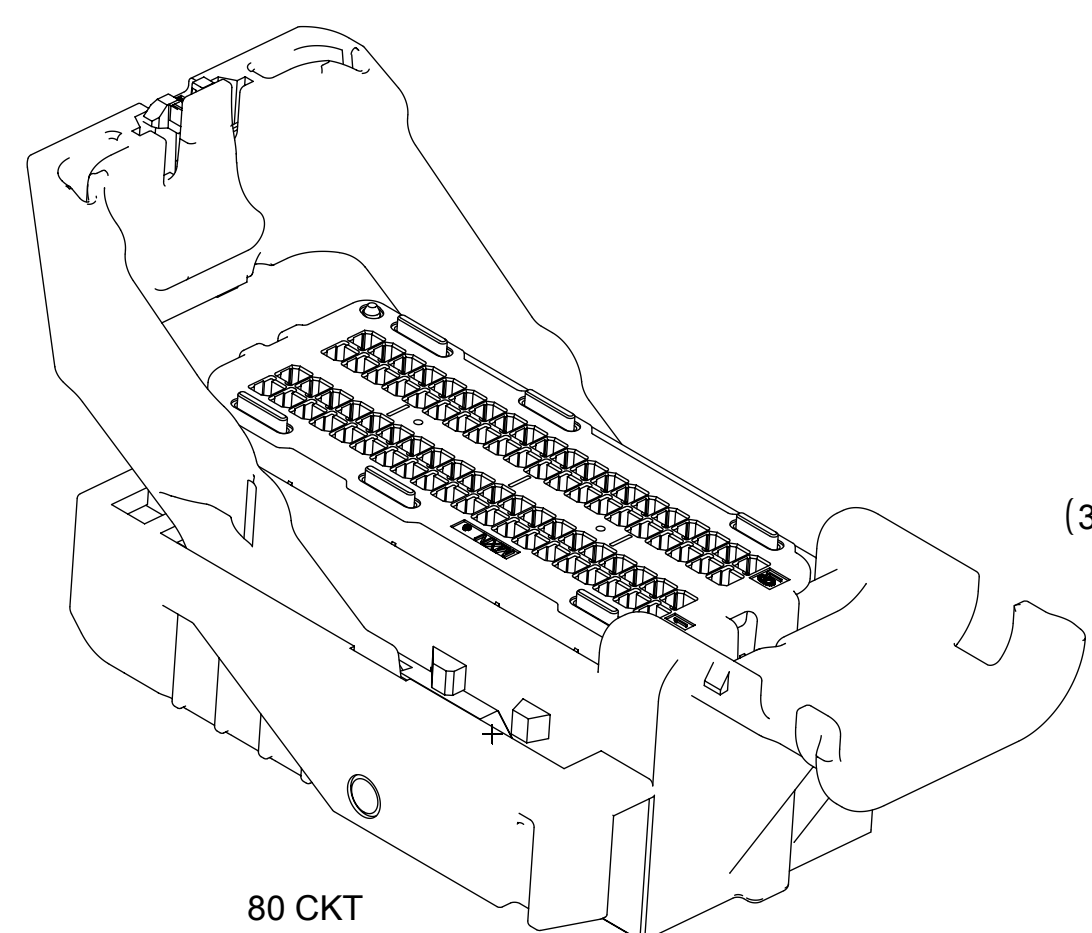
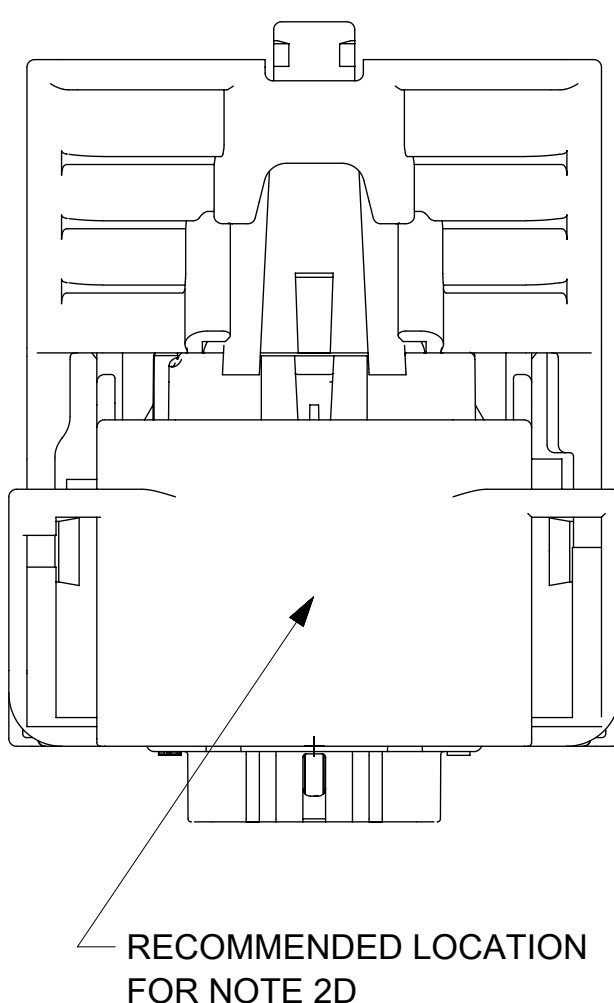
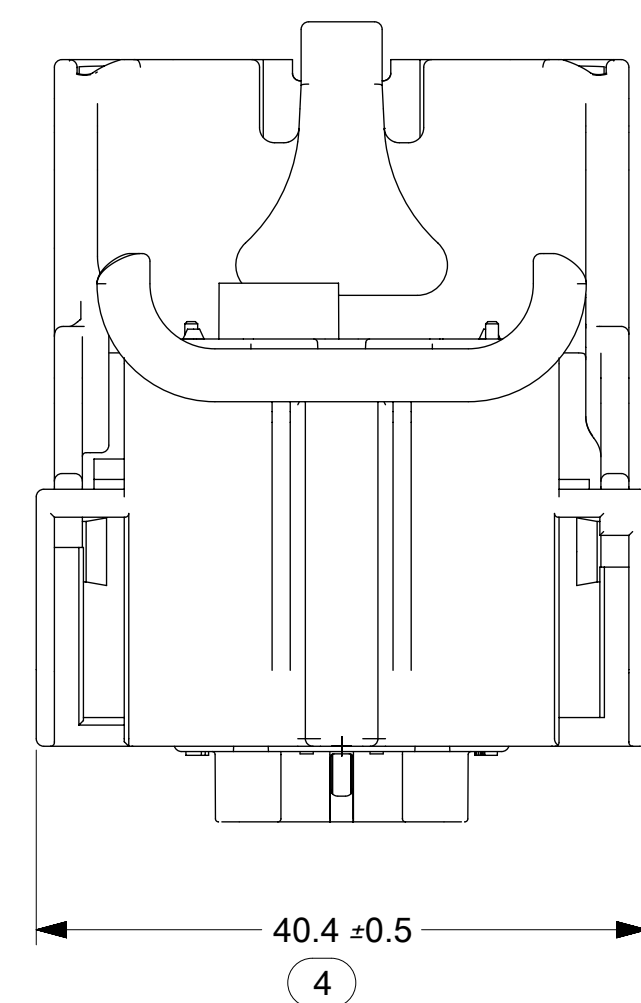
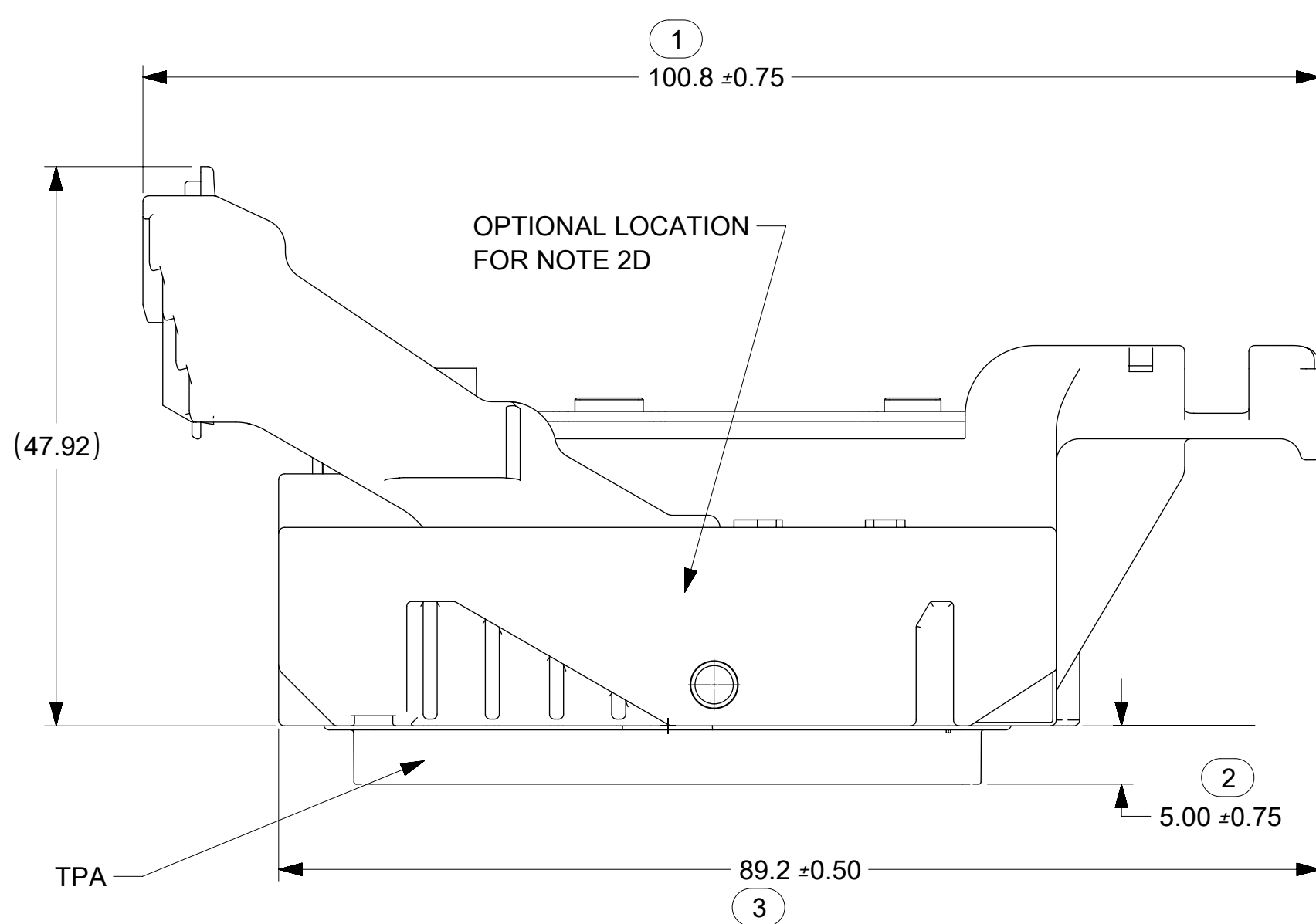
- A. DRAFT TO BE WITHIN TOLERANCE.
- B. ALLOWABLE FLASH 0.2 MAX HIGH X 0.13 MAX THICK.
- C. ALLOWABLE PARTING LINE MISMATCH 0.2 MAX.
- D. EJECTOR PINS MARK TO BE FLUSH TO 0.25 MAX DEPRESSED.
- E. ALLOWABLE GATE VESTIGE TO BE FLUSH TO 0.25 MAX PROTRUSION.

4. SYSTEM REQUIREMENTS:

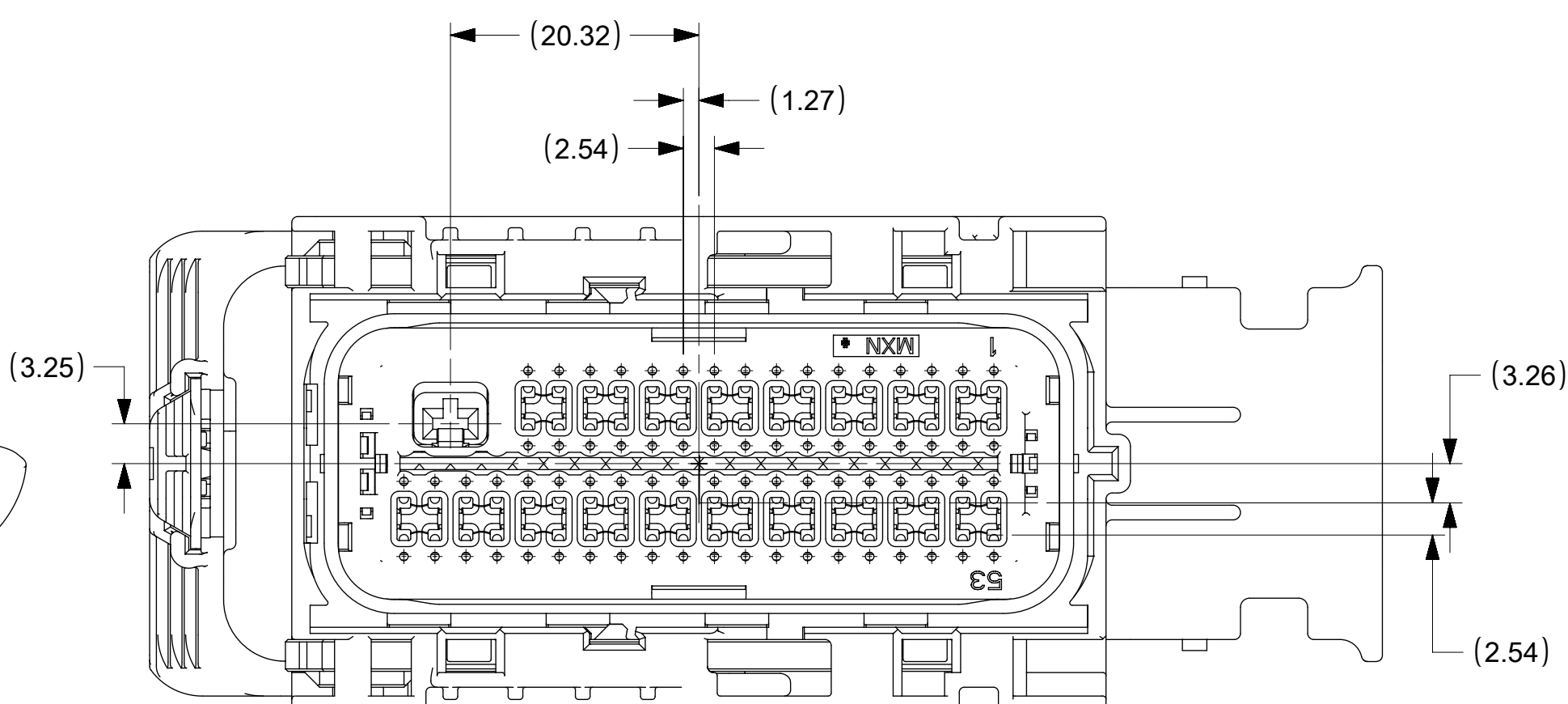
WHEN TESTED TO SAE/USCAR-2 REV: 3, APRIL 2001, AND GMW #3191, AUGUST 22, 2000 (DRAFT).

- A. TPA (WITHOUT TERMINALS)
  - a. INSERTION FORCE FROM PRE-SET TO LOCK: ≥20N
  - b. REMOVAL FORCE FROM PRE-SET: ≥20N
- B. CPA
  - a. INSERTION FORCE FROM PRE-SET TO LOCK WITH CONNECTOR UN-MATED: ≥60N
  - b. REMOVAL FORCE FROM PRE-SET: ≥30N
- C. GROMMET CAP
  - a. REMOVAL FORCE FROM HOUSING WITH ENGAGED LATCHES: ≥110N
- D. MATE ASSIST LEVER
  - a. INADVERTENT ACTUATION FORCE DURING SHIPPING, HANDLING OR PRE-ASSEMBLY: ≥190N

G50	ADD NEW PIN CONFIGURATION 34566-8543 34566-8553
G49	ADD NEW PIN CONFIGURATION 34566-8443 34566-8453 34566-8463 34566-8473 34566-8483 34566-8493 34566-8513 34566-8523 34566-8533
G48	ADD NEW PIN CONFIGURATION 34566-8393 34566-8413 34566-8423 34566-8433
G47	SHEETS SEQUENCE ARE CORRECTED
G46	ADD NEW PIN CONFIGURATION 34566-8223 34566-8233 34566-8243 34566-8253 34566-8263 34566-8273 34566-8283 34566-8293 34566-8313 34566-8323 34566-8333 34566-8343 34566-8353 34566-8363 34566-8373 34566-8383
G45	NX RE-MASTERING
G44	ADD NEW PIN CONFIGURATION 34566-8173
G43	ADD NEW PIN CONFIGURATION 34566-8163 34566-2493 SAME AS P/N 34566-3863
G42	ADD PART NUMBERS 34566-8153
G42	ADD PART NUMBERS 34566-8153
G41	CHANGED THE GM PART NUMBER IN SHEET 5
G40	ADD PART NUMBERS 34566-8123 34566-8133 34566-8143
REV	DESCRIPTION



80 CKT  
SCALE 3:2

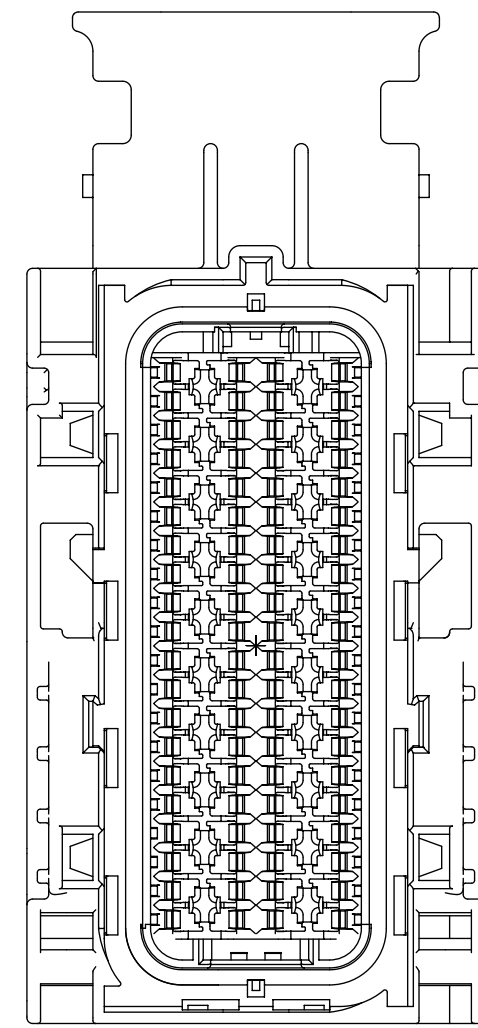
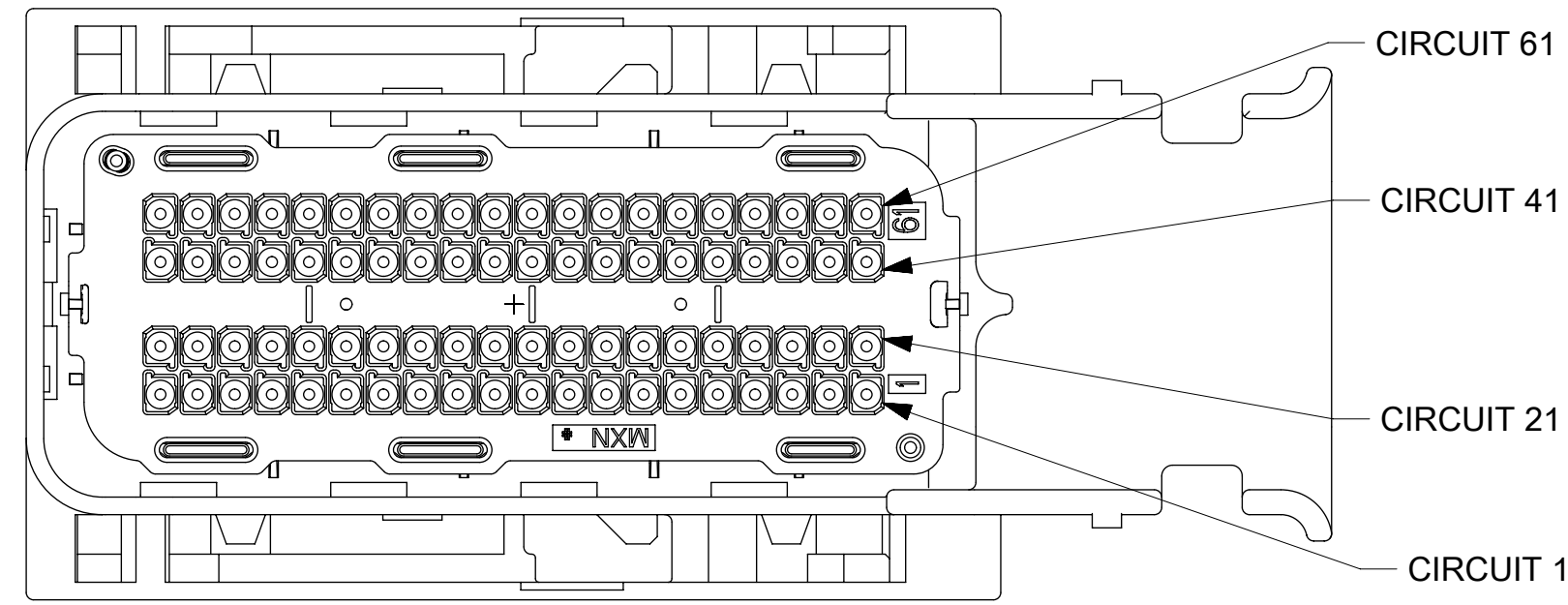


QUALITY SYMBOLS F = 0 E = 0 E = 0 ▽ = 0 C = 0 ⊠ = 0 ■ = 0 ▽ = 0	THIS DRAWING CONTAINS INFORMATION THAT IS PROPRIETARY TO MOLEX ELECTRONIC TECHNOLOGIES, LLC AND SHOULD NOT BE USED WITHOUT WRITTEN PERMISSION		DIMENSION UNITS <b>MM</b>	SCALE <b>2:1</b>	
	EC NO: 115716 DRWN: TYE CHKD: JDENG02 REV APPR:	2017/04/21 2017/04/21	GENERAL TOLERANCES (UNLESS SPECIFIED) ANGULAR TOL ± ° 4 PLACES ± 3 PLACES ± 2 PLACES ± 1 PLACE ± 0 PLACES ± DRAFT WHERE APPLICABLE MUST REMAIN WITHIN DIMENSIONS	DRWN BY <b>SKRAJENDRANA</b>	
<b>G50</b>	2017/04/21	0 PLACES ±	CHKD BY <b>MVANSLAMBROU</b>	DATE <b>2011/02/14</b>	<b>PRODUCT CUSTOMER DRAWING</b>
REV APPR:	2016/08/22	0 PLACES ±	APPR BY <b>SKRAJENDRANA</b>	DATE <b>2016/08/22</b>	
D	THIRD ANGLE PROJECTION	DRAWING SIZE	CUSTOMER <b>GENERAL MARKET</b>	MATERIAL NUMBER <b>SEE BOM TABLE</b>	DOCUMENT NUMBER <b>SD-34566-001</b>
1 OF 93	DOC TYPE <b>PSD</b>	DOC PART NUMBER <b>000</b>	SHEET NUMBER <b>1 OF 93</b>	CUSTOMER <b>GENERAL MARKET</b>	

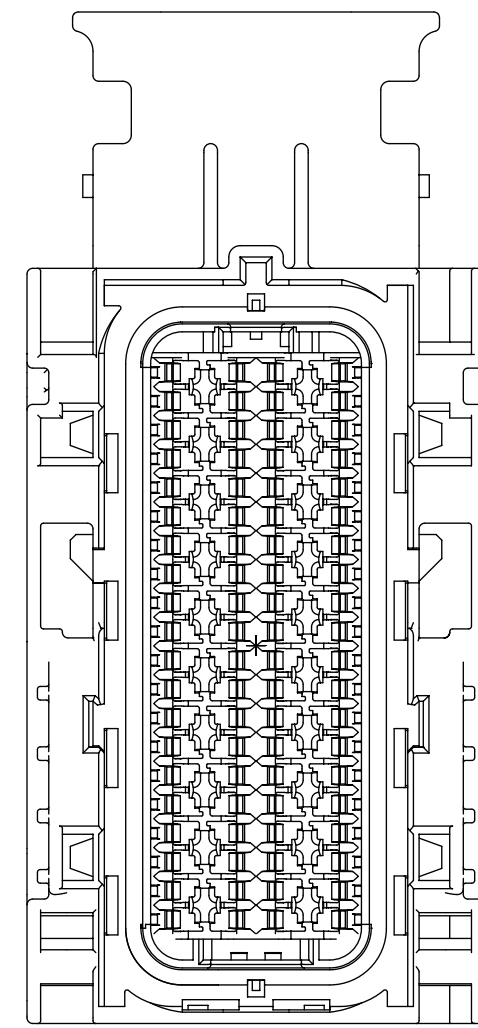
# 80 CKT

HOUSING ONLY, SHOWN FOR CLARITY

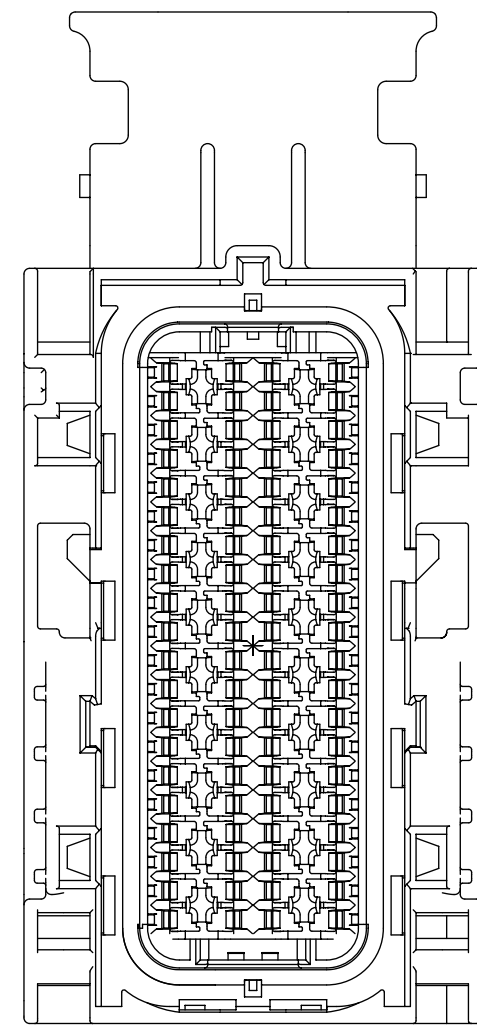
WIRE DRESS OPTION 0



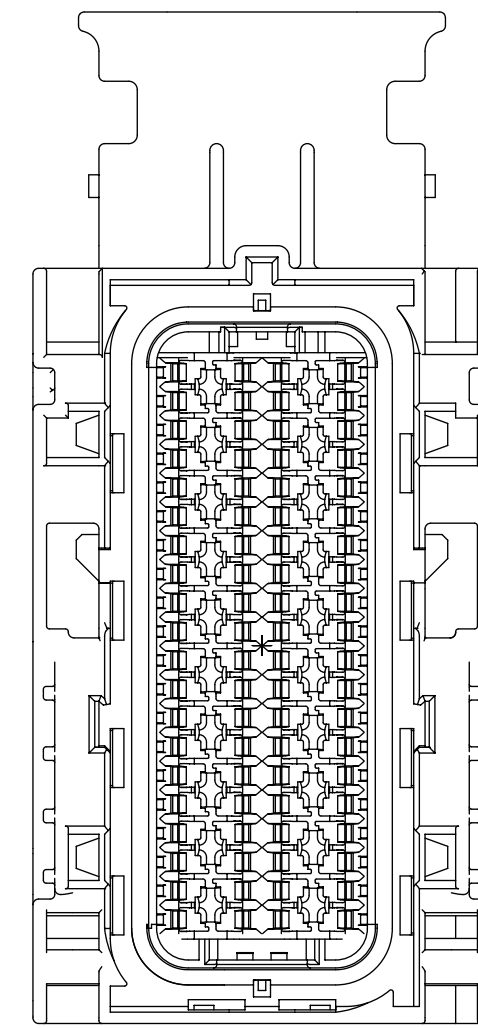
KEY G



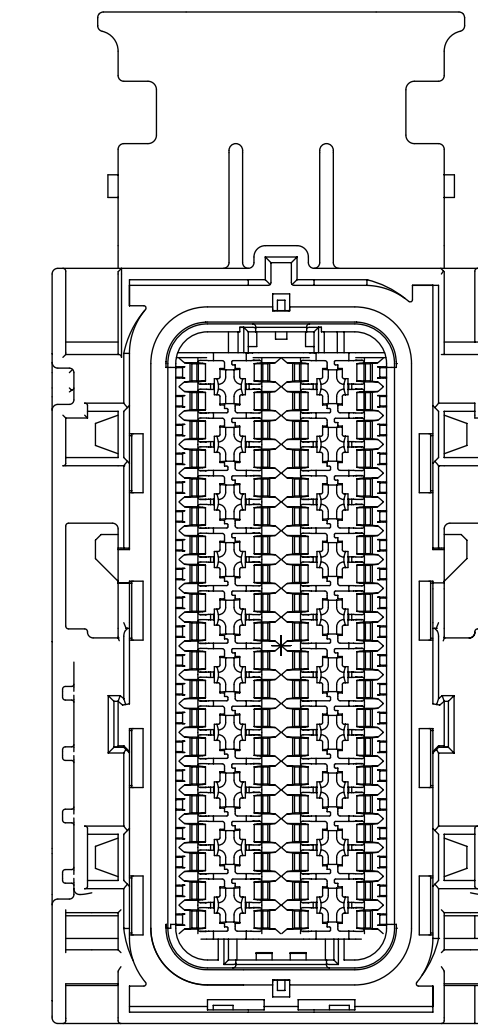
KEY H



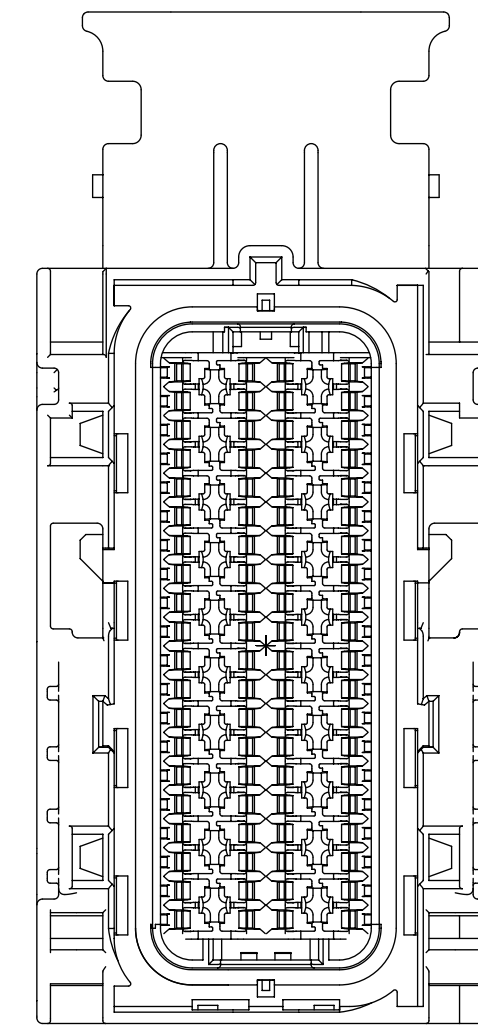
KEY J



KEY K

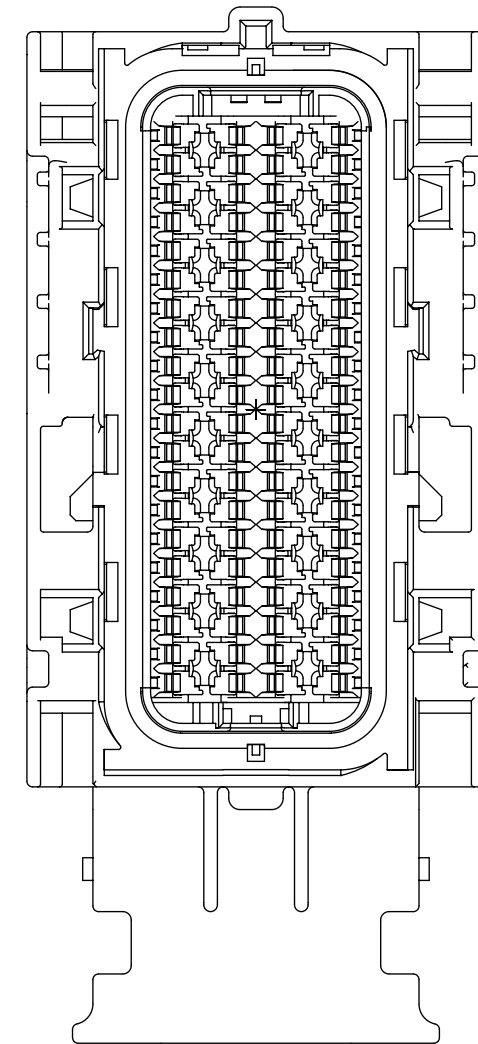
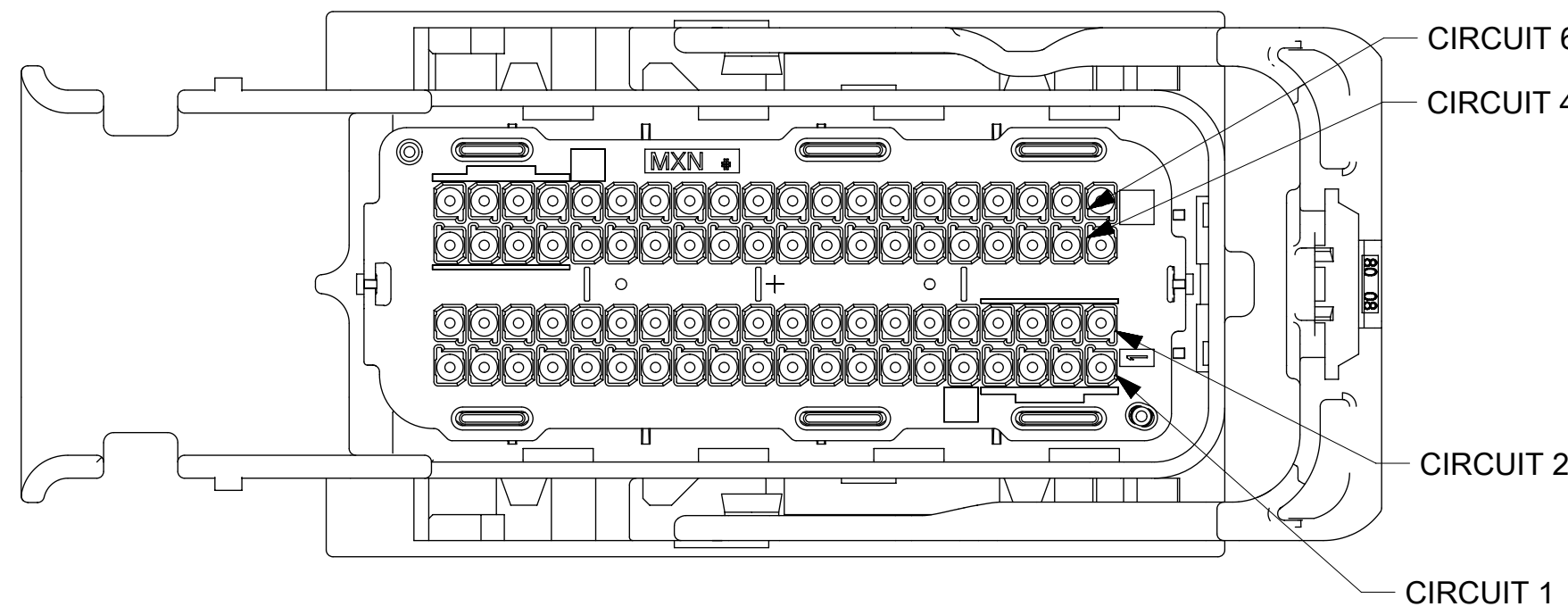


KEY L

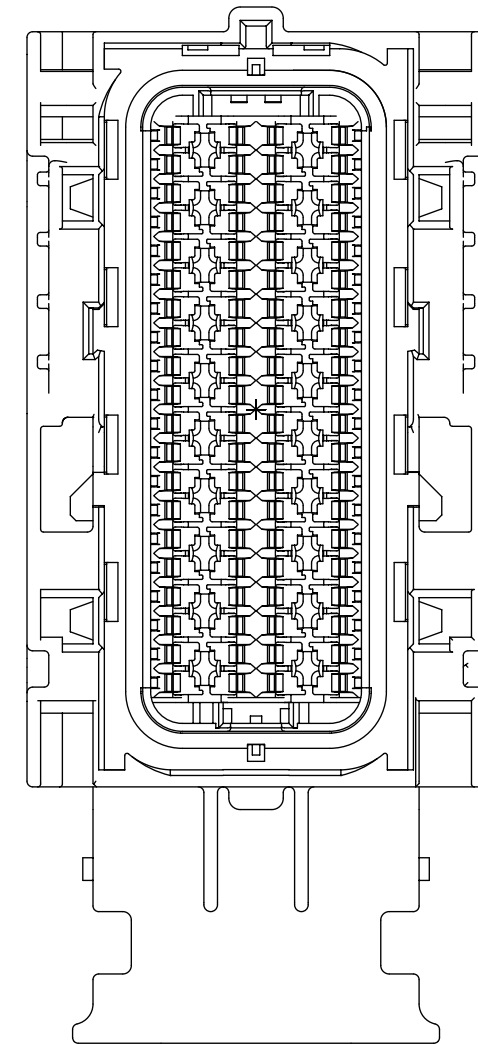


KEY M

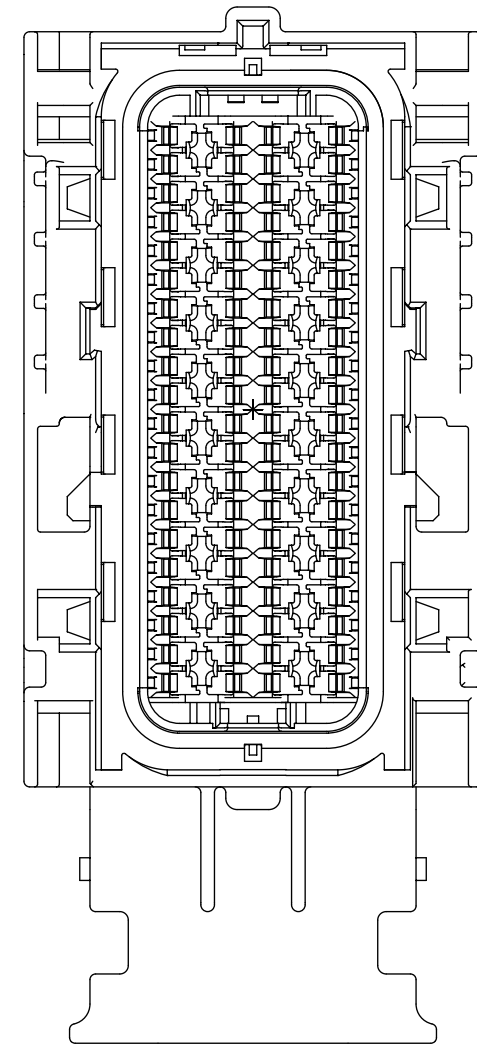
WIRE DRESS OPTION 9



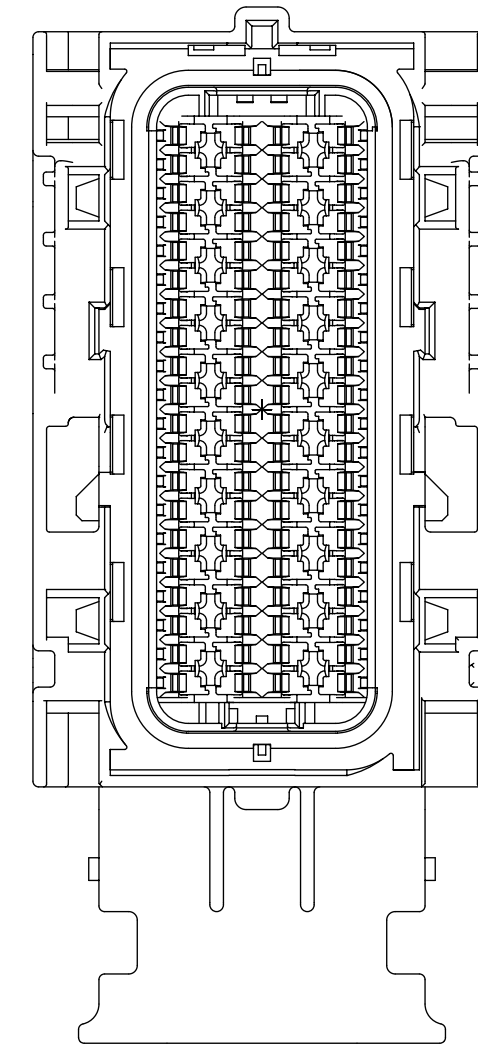
KEY G



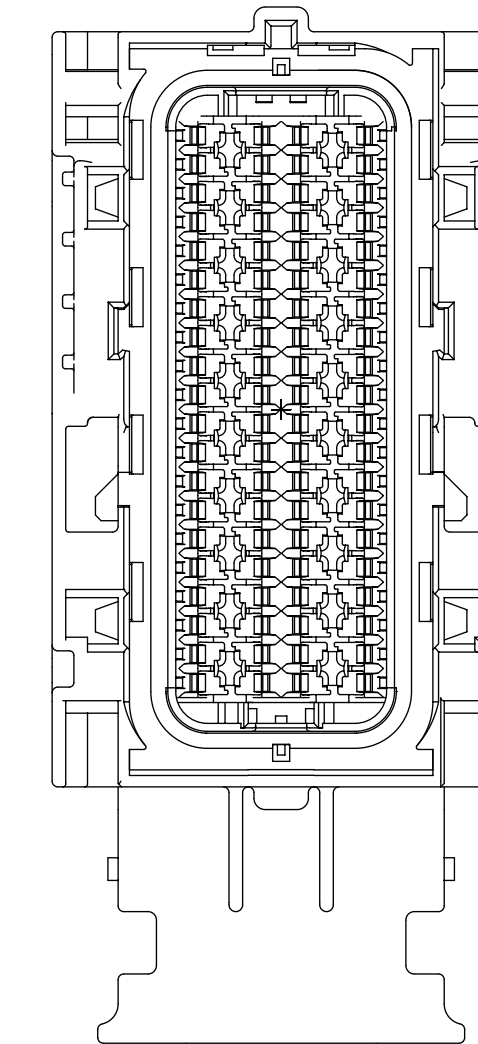
KEY H



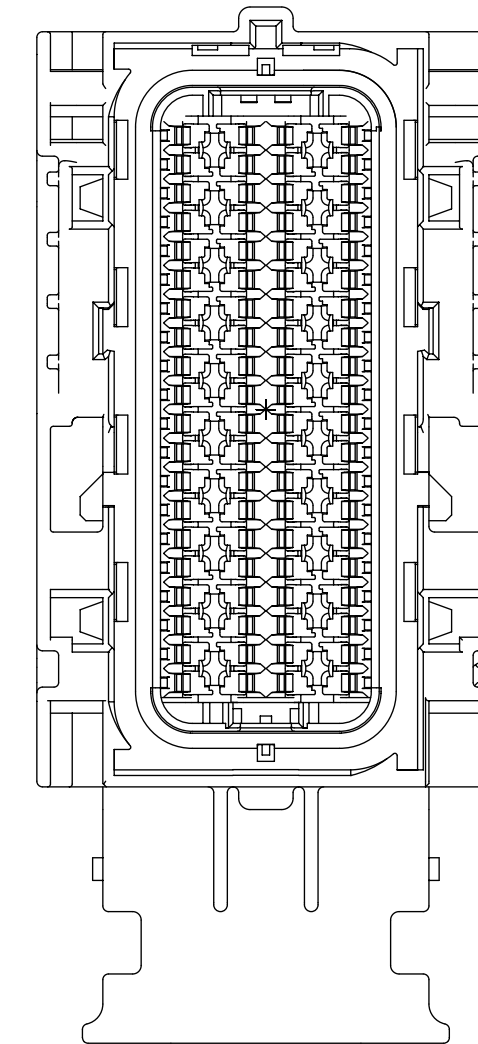
KEY J



KEY K



KEY L



KEY M

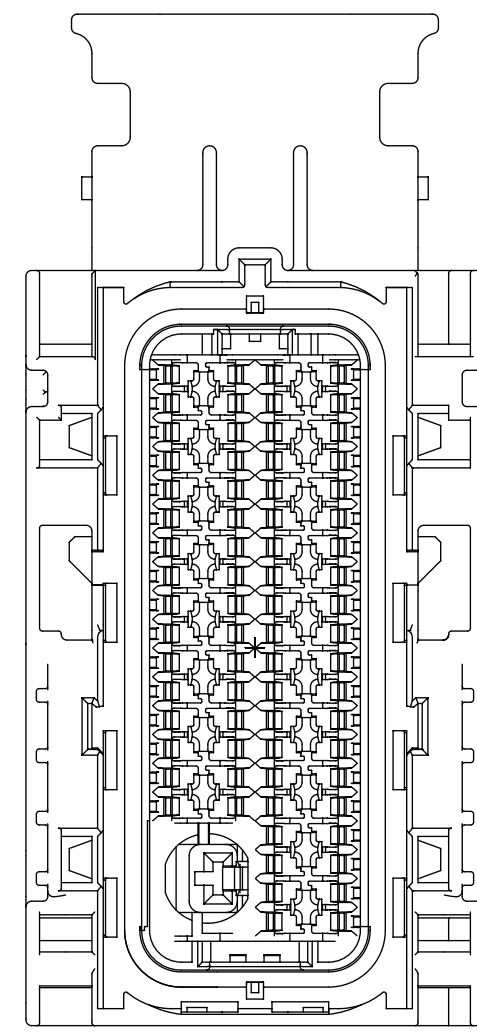
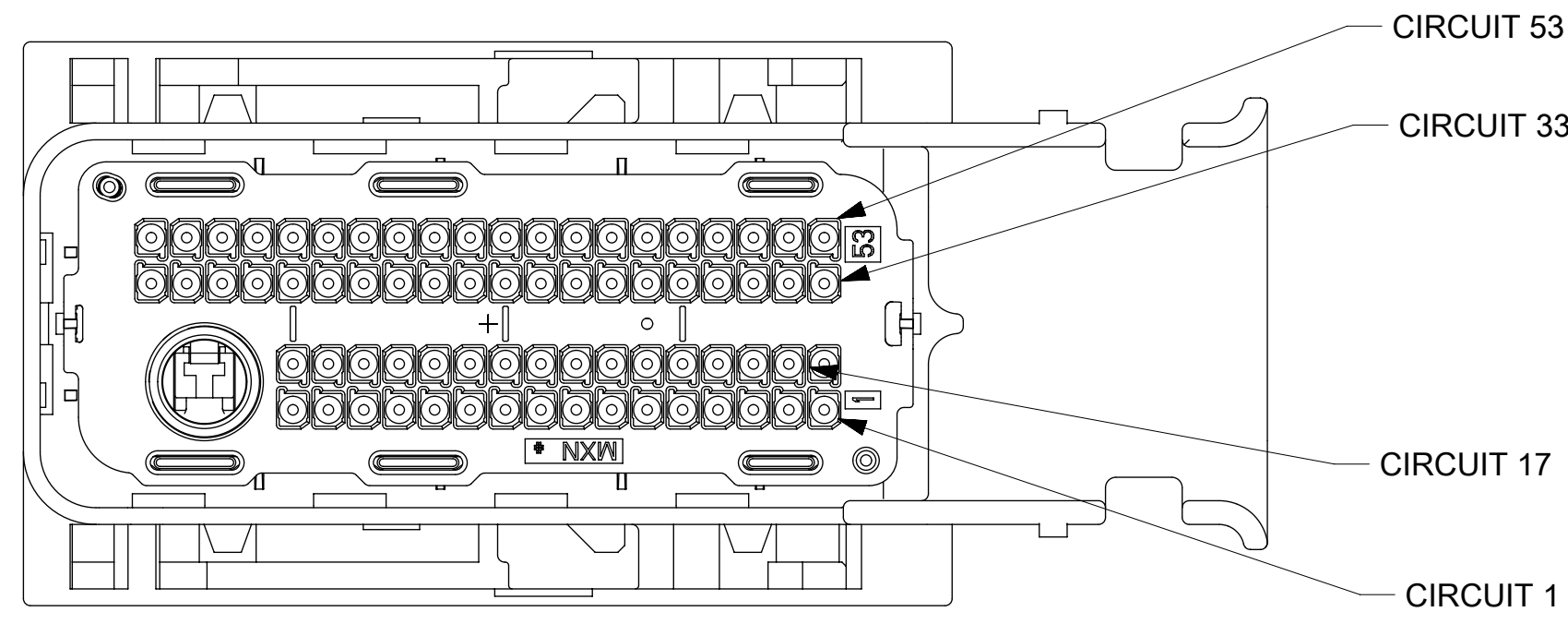
<b>QUALITY SYMBOLS</b> □ = 0 ▽ = 0 ▽ = 0 ▽ = 0 ▽ = 0 ▽ = 0 ▽ = 0 ▽ = 0 ▽ = 0 ▽ = 0 ▽ = 0	THIS DRAWING CONTAINS INFORMATION THAT IS PROPRIETARY TO MOLEX ELECTRONIC TECHNOLOGIES, LLC AND SHOULD NOT BE USED WITHOUT WRITTEN PERMISSION									
	2017/04/12	2017/04/21	GENERAL TOLERANCES (UNLESS SPECIFIED)		DIMENSION UNITS	SCALE				
	MM	1.5:1								
	DRWN BY	DATE	ANGULAR TOL ± °		DRWN BY	DATE	MX123 66/73/80CKT HRNS CONN ASSY			
	SKRAJENDRANA	2011/02/14	4 PLACES ±		SKRAJENDRANA	2011/02/14				
	CHKD BY	DATE	3 PLACES ±		CHKD BY	DATE	PRODUCT CUSTOMER DRAWING			
	MVANSLAMBROU	2011/02/14	2 PLACES ±		MVANSLAMBROU	2011/02/14				
	APPR BY	DATE	1 PLACE ±		APPR BY	DATE	SERIES MATERIAL NUMBER CUSTOMER 34566 SEE BOM TABLE GENERAL MARKET			
	SKRAJENDRANA	2016/08/22	0 PLACES ±		SKRAJENDRANA	2016/08/22				
	EC NO: 115716	DRWN: TYE	CHKD: JDENG02	REV: APPR: JDENG02	DRAFT WHERE APPLICABLE MUST REMAIN WITHIN DIMENSIONS	DRAWING SIZE	THIRD ANGLE PROJECTION	DOCUMENT NUMBER DOC TYPE DOC PART SHEET NUMBER SD-34566-001 PSD 000 2 OF 93		
G50				D						

RELEASE STATUS	RELEASE DATE
----------------	--------------

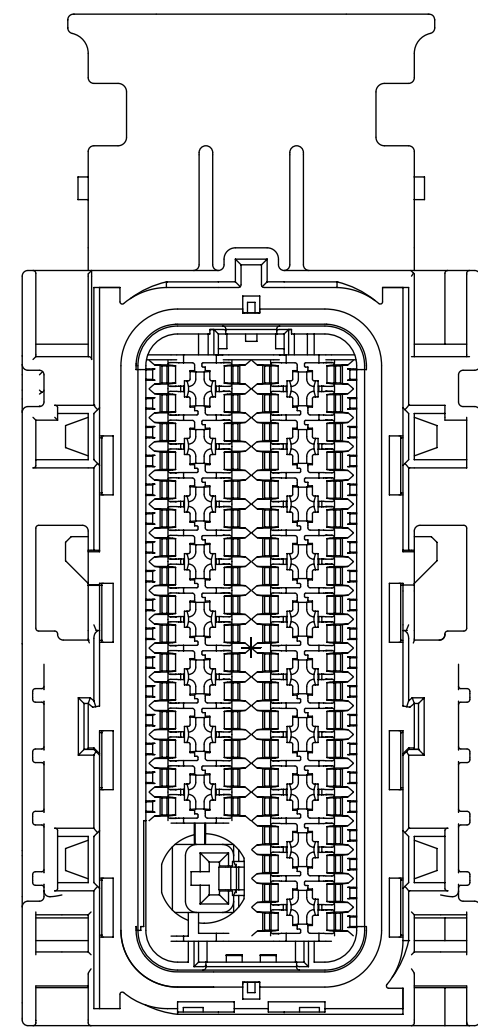
73 CKT

WIRE DRESS OPTION 0

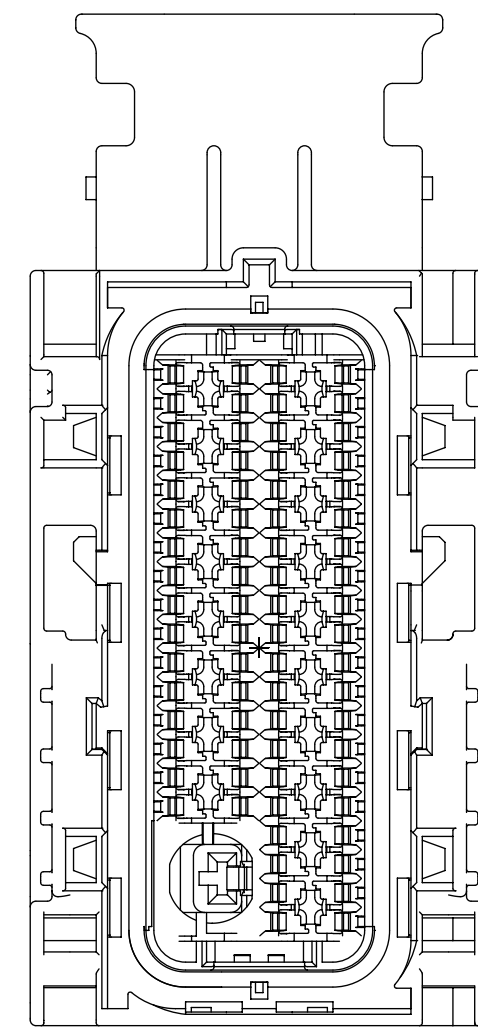
HOUSING ONLY, SHOWN FOR CLARITY



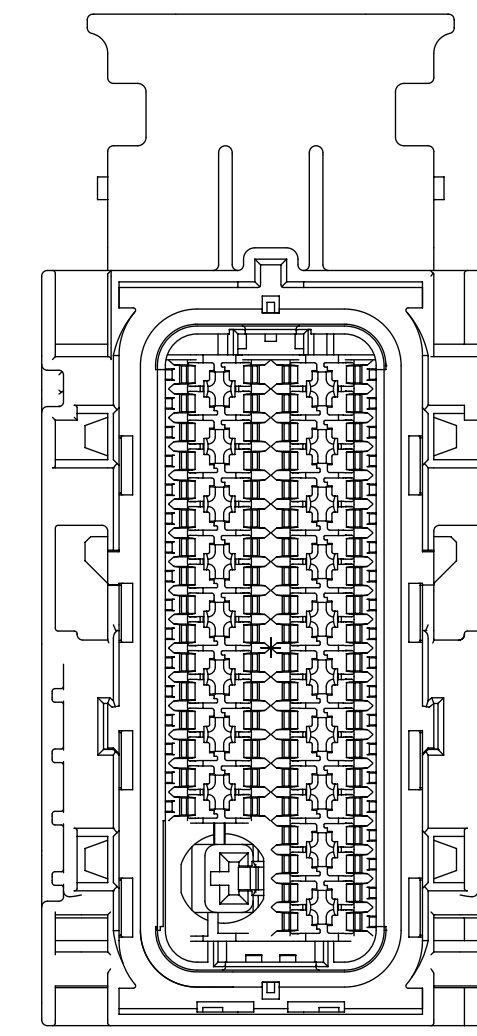
KEY A



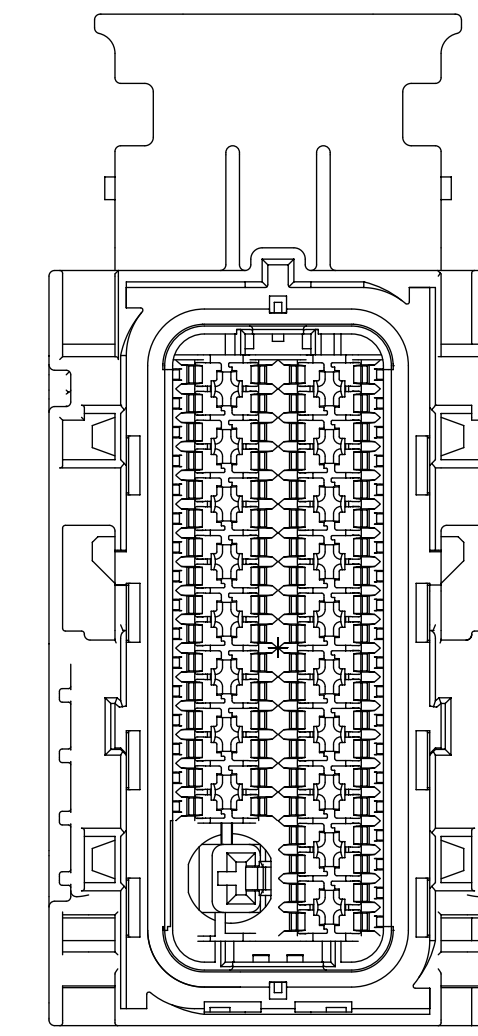
KEY B



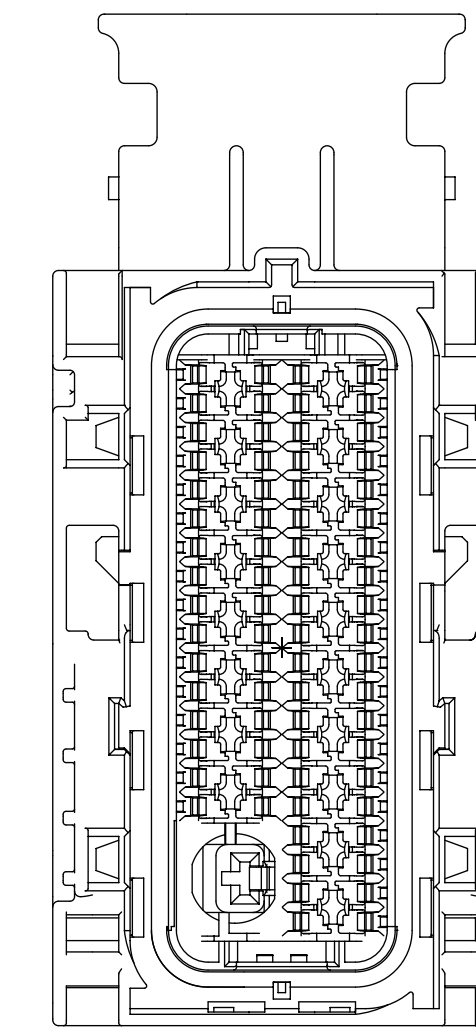
KEY C



KEY D

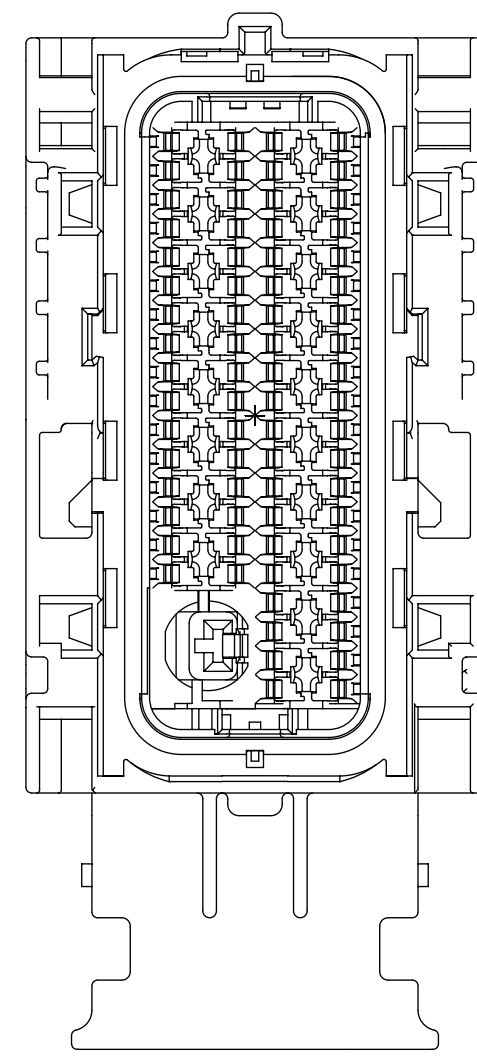
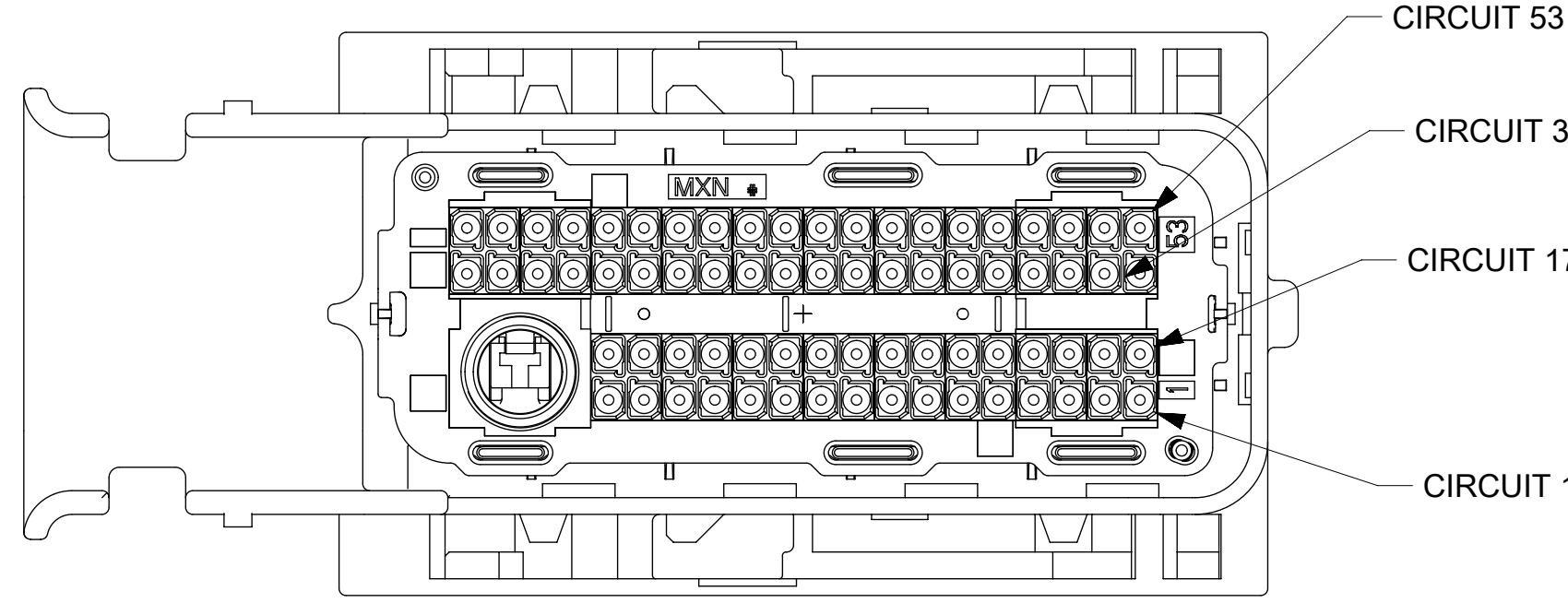


KEY E

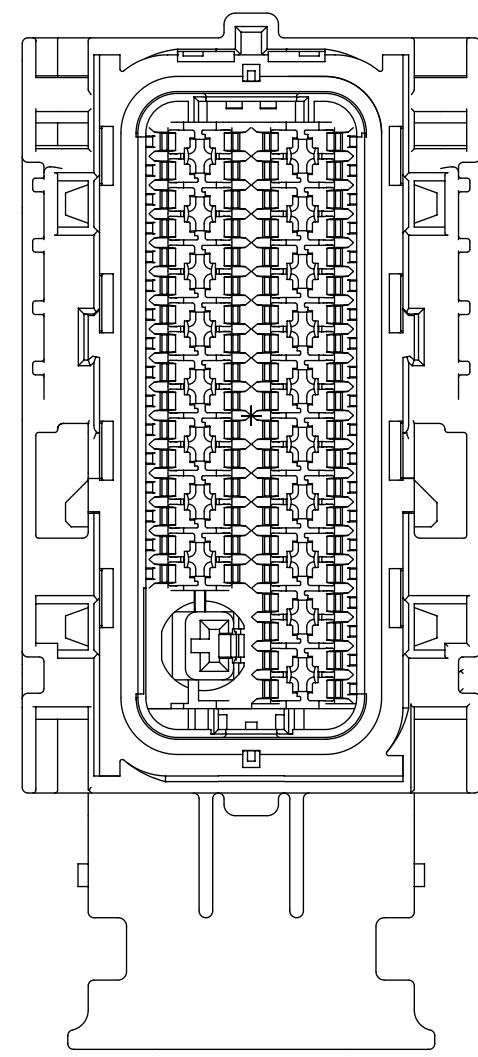


KEY F

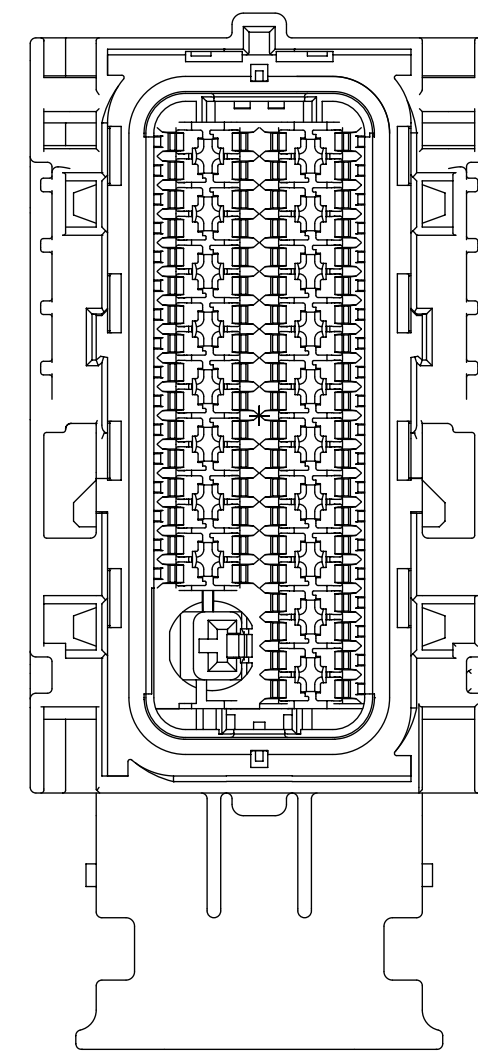
WIRE DRESS OPTION 9



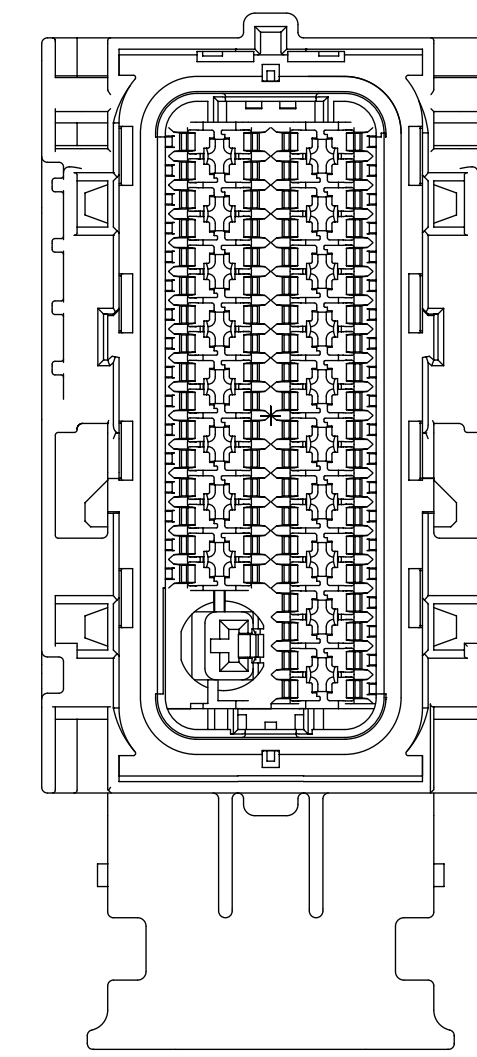
KEY A



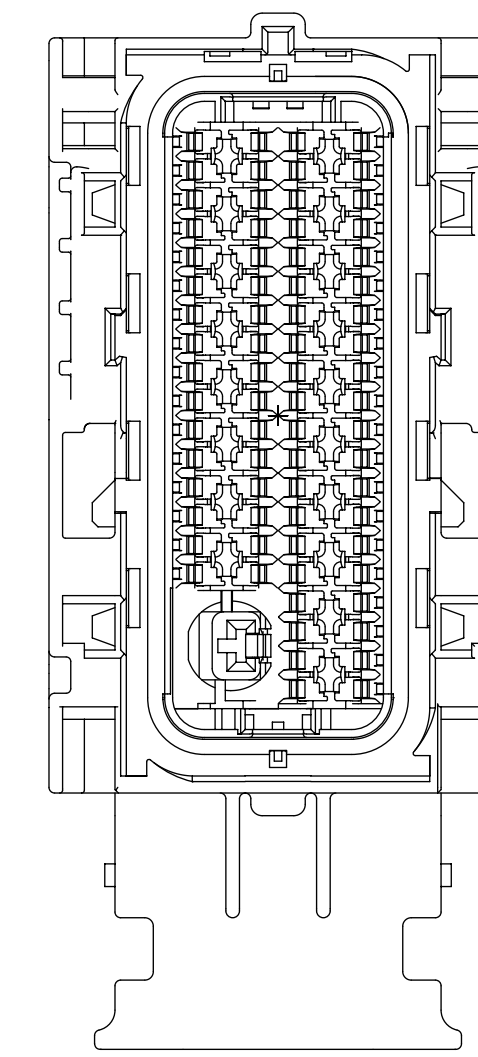
KEY B



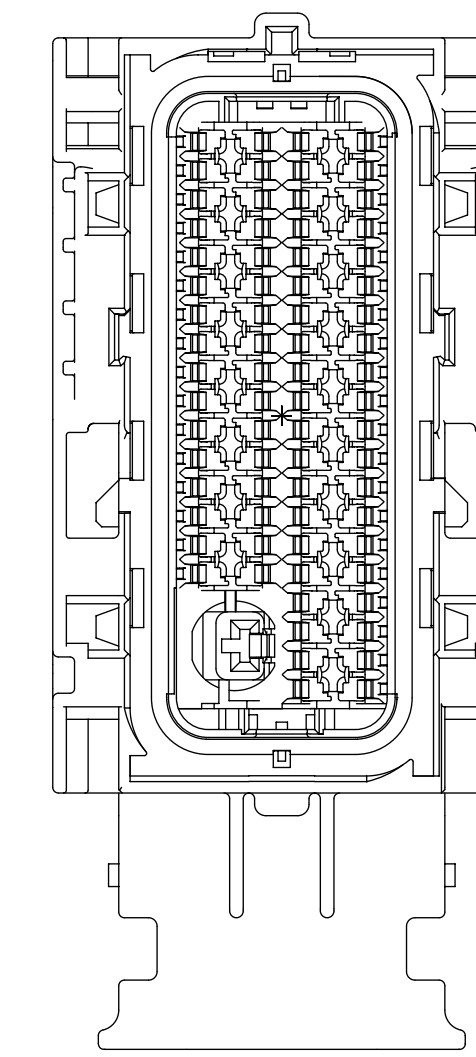
KEY C



KEY D



KEY E



KEY F

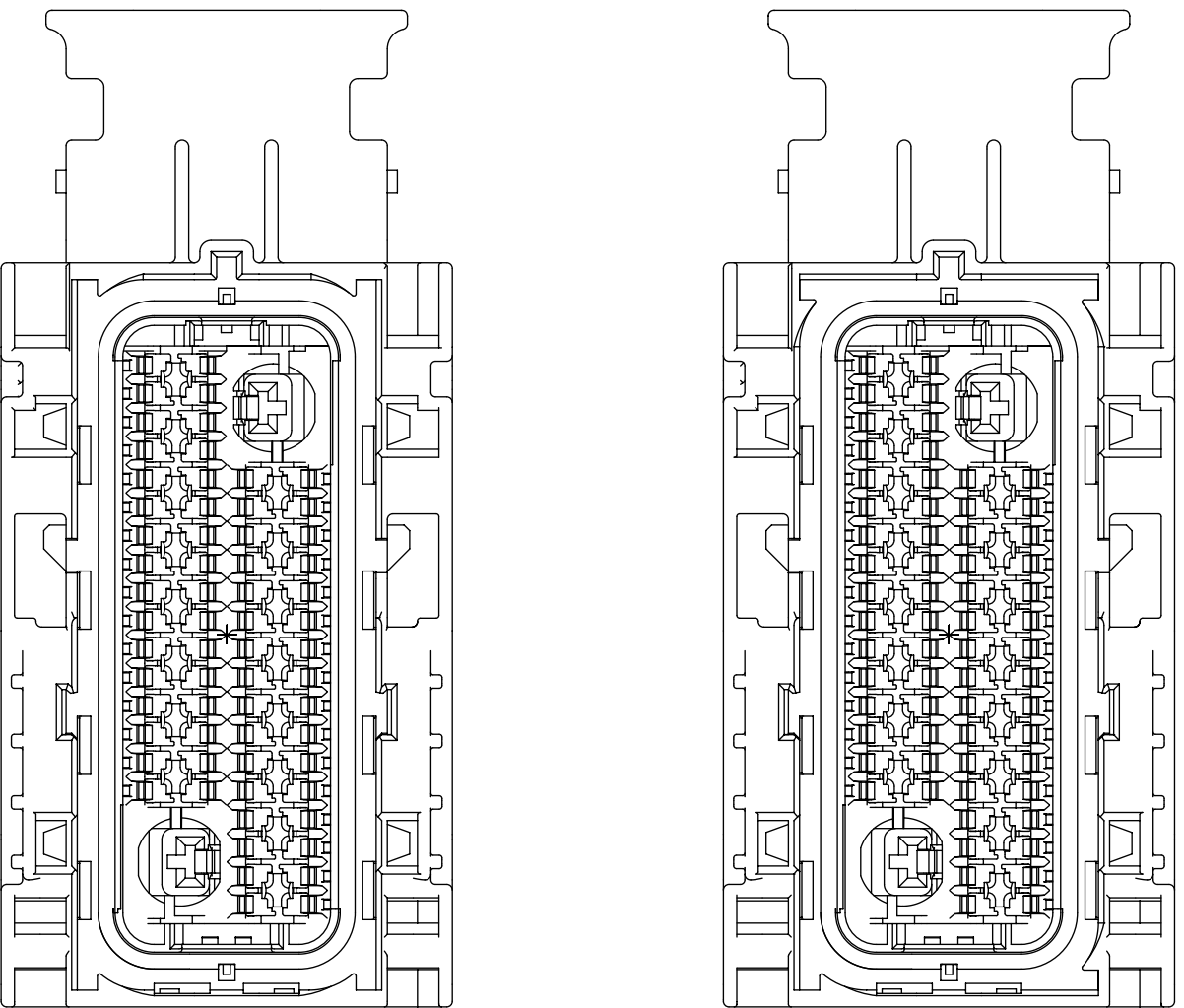
THIS DRAWING CONTAINS INFORMATION THAT IS PROPRIETARY TO MOLEX ELECTRONIC TECHNOLOGIES, LLC AND SHOULD NOT BE USED WITHOUT WRITTEN PERMISSION											
<b>QUALITY SYMBOLS</b> □ = 0 ▽ = 0 ▽ = 0 ▽ = 0 ▽ = 0 ▽ = 0 ▽ = 0 ▽ = 0 ▽ = 0 ▽ = 0 ▽ = 0	2017/04/12	2017/04/21	GENERAL TOLERANCES (UNLESS SPECIFIED)		DIMENSION UNITS	SCALE					
	DRWN: TYE	CHKD: JDENG02	ANGULAR TOL ± °		MM	1.5:1					
	EC NO: 115716	REV: APPR: JDENG02	4 PLACES ±	SKRAJENDRANA	DATE	2011/02/14	MX123 66/73/80CKT HRNS CONN ASSY				
			3 PLACES ±	CHKD BY	DATE	2011/02/14					
			2 PLACES ±	APPR BY	DATE	2016/08/22	PRODUCT CUSTOMER DRAWING				
			1 PLACE ±	SKRAJENDRANA	DATE	2016/08/22					
			0 PLACES ±	DRAFT WHERE APPLICABLE MUST REMAIN WITHIN DIMENSIONS	DRAWING SIZE	THIRD ANGLE PROJECTION	SERIES	MATERIAL NUMBER	CUSTOMER		
					D		34566	SEE BOM TABLE	GENERAL MARKET		
							DOCUMENT NUMBER	DOC TYPE	DOC PART	SHEET NUMBER	
							SD-34566-001	PSD	000	3 OF 93	



66 CKT

WIRE DRESS OPTION 0

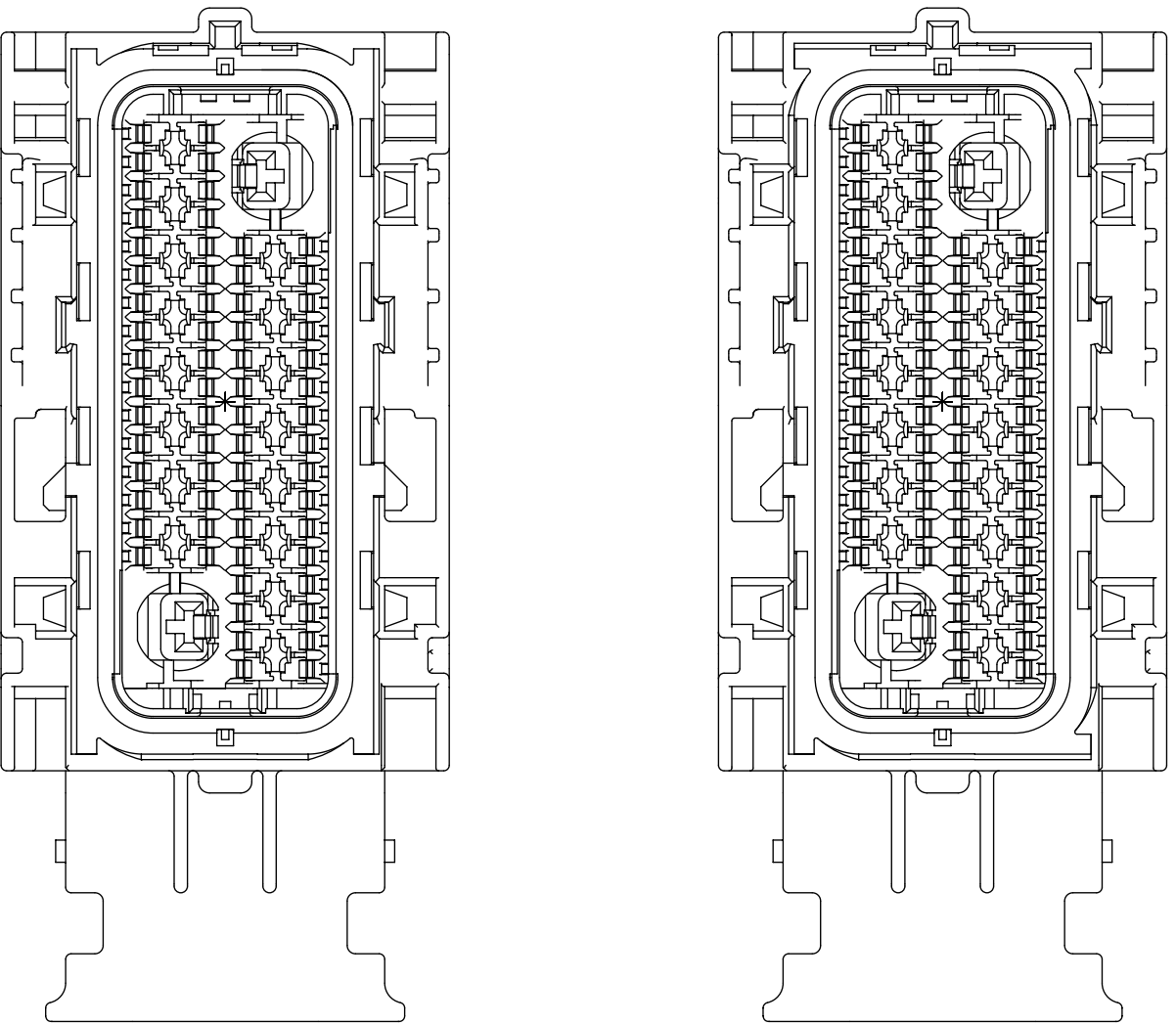
HOUSING ONLY, SHOWN FOR CLARITY



KEY A

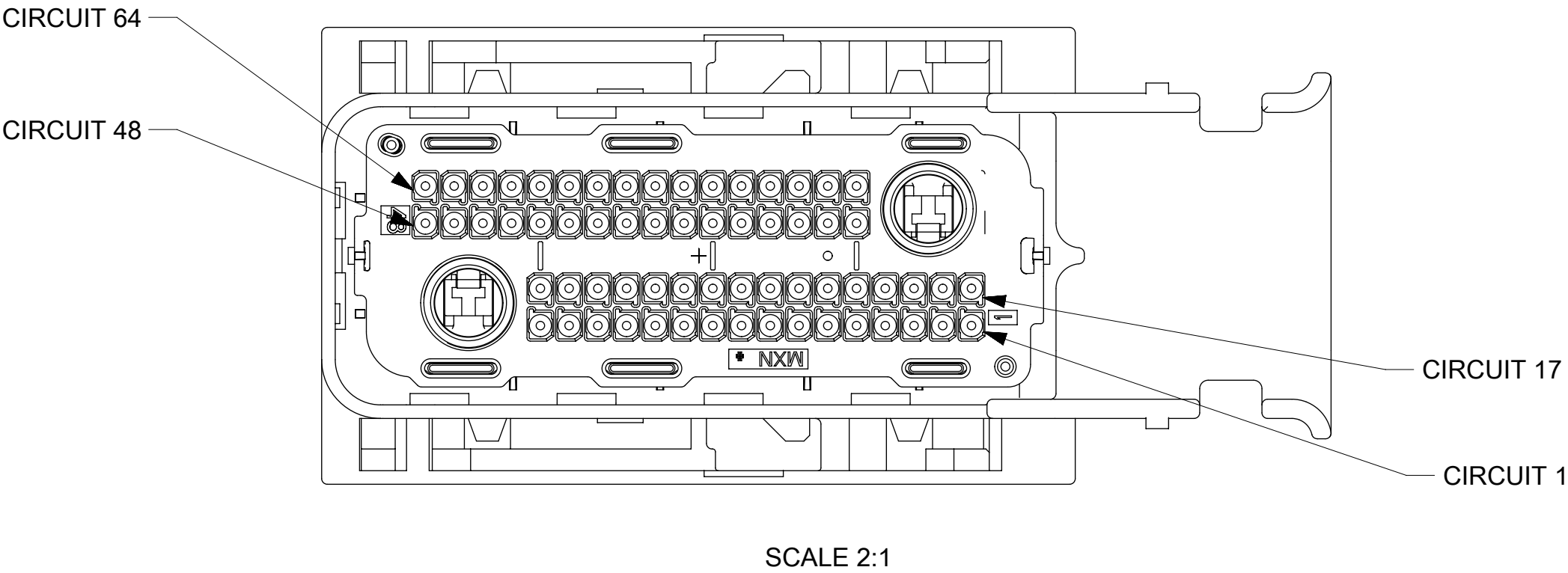
KEY B

WIRE DRESS OPTION 9

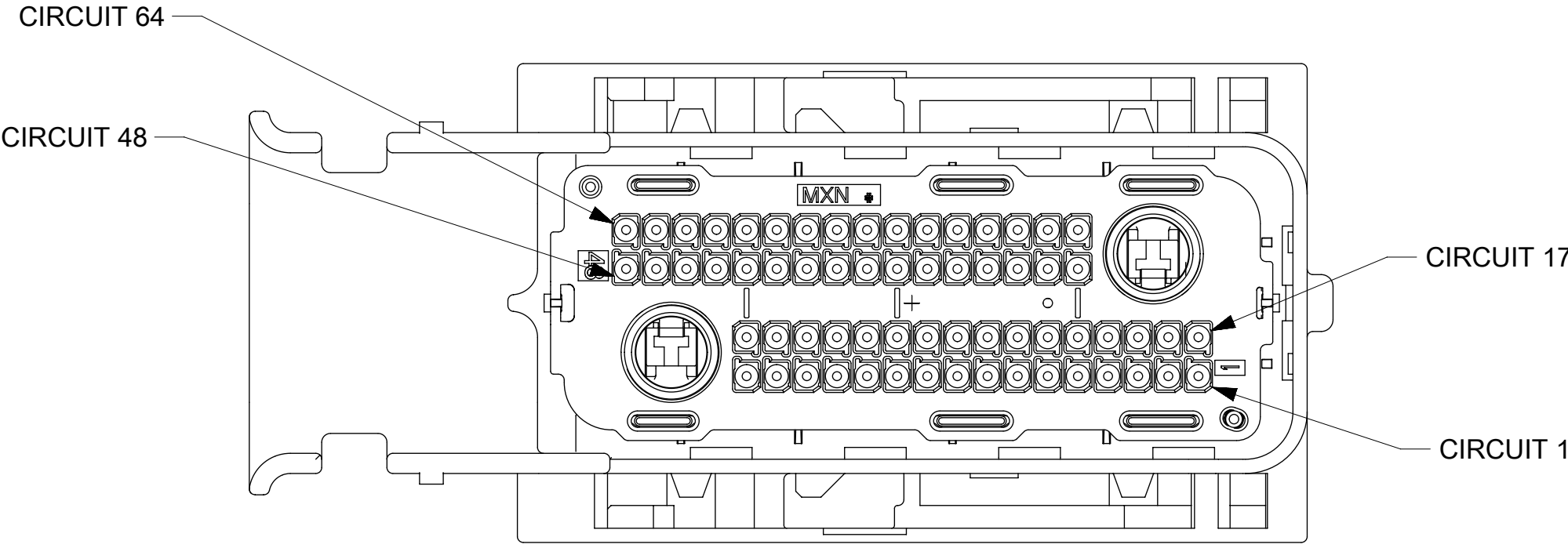


KEY A

KEY B



SCALE 2:1



SCALE 2:1

THIS DRAWING CONTAINS INFORMATION THAT IS PROPRIETARY TO MOLEX ELECTRONIC TECHNOLOGIES, LLC AND SHOULD NOT BE USED WITHOUT WRITTEN PERMISSION											
QUALITY SYMBOLS F = 0 E = 0 D = 0 C = 0 B = 0 A = 0 G50	2017/04/12	2017/04/21	GENERAL TOLERANCES (UNLESS SPECIFIED)		DIMENSION UNITS	SCALE					
	DRWN: TYE	CHKD: JDENG02	ANGULAR TOL ± °		MM	1.5:1					
	EC NO: 115716	REV: APPR: JDENG02	4 PLACES ±		DRWN BY	DATE	MX123 66/73/80CKT HRNS CONN ASSY				
			3 PLACES ±		SKRAJENDRANA	2011/02/14					
			2 PLACES ±		CHKD BY	DATE	PRODUCT CUSTOMER DRAWING				
			1 PLACE ±		MVANSLAMBROU	2011/02/14					
		0 PLACES ±		APPR BY	DATE	SERIES: 34566    MATERIAL NUMBER: SEE BOM TABLE    CUSTOMER: GENERAL MARKET					
		DRAFT WHERE APPLICABLE MUST REMAIN WITHIN DIMENSIONS		SKRAJENDRANA	2016/08/22						
				DRAWING SIZE	THIRD ANGLE PROJECTION	DOCUMENT NUMBER: SD-34566-001    DOC TYPE: PSD    DOC PART: 000    SHEET NUMBER: 4 OF 93					
				D							

STATUS	GM PART #	MATERIAL #	WIRE DRESS OPTION	KEY OPTION	COLOR (TPA)	NUMBERS INDICATE CAVITIES OPEN FOR CIRCUITS
(G41) AVAILABLE	12672860	34566-0103	0	A	BLACK	
(G41) AVAILABLE	12672862	34566-0203	0	B	ST GRY	72 71 70 69 68 67 66 65 64 63 62 61 60 59 58 57 56 55 54 53 52 51 50 49 48 47 46 45 44 43 42 41 40 39 38 37 36 35 34 33
(G41) AVAILABLE	12672864	34566-0303	0	C	BLUE	
ACTIVE	12615660	34566-0403	0	D	BROWN	73 32 31 30 29 28 27 26 25 24 23 22 21 20 19 18 17 16 15 14 13 12 11 10 9 8 7 6 5 4 3 2 1
ACTIVE	12615661	34566-0503	0	E	GREEN	
(G41) AVAILABLE	12672866	34566-0603	0	F	NATURAL	
(G41) AVAILABLE	12672872	34566-0703	0	G	BLUE	
(G41) AVAILABLE	12672870	34566-0803	0	H	ST GRY	80 79 78 77 76 75 74 73 72 71 70 69 68 67 66 65 64 63 62 61 60 59 58 57 56 55 54 53 52 51 50 49 48 47 46 45 44 43 42 41
(G41) ACTIVE	12672868	34566-0903	0	J	BLACK	40 39 38 37 36 35 34 33 32 31 30 29 28 27 26 25 24 23 22 21 20 19 18 17 16 15 14 13 12 11 10 9 8 7 6 5 4 3 2 1
ACTIVE	TBD	34566-1003	0	K	BROWN	
ACTIVE	TBD	34566-1103	0	L	GREEN	
ACTIVE	TBD	34566-1203	0	M	NATURAL	
(G41) AVAILABLE	12672861	34566-1303	9	A	BLACK	
(G41) AVAILABLE	12672863	34566-1403	9	B	ST GRY	72 71 70 69 68 67 66 65 64 63 62 61 60 59 58 57 56 55 54 53 52 51 50 49 48 47 46 45 44 43 42 41 40 39 38 37 36 35 34 33
(G41) AVAILABLE	12672865	34566-1503	9	C	BLUE	
ACTIVE	12615663	34566-1603	9	D	BROWN	73 32 31 30 29 28 27 26 25 24 23 22 21 20 19 18 17 16 15 14 13 12 11 10 9 8 7 6 5 4 3 2 1
ACTIVE	12615664	34566-1703	9	E	GREEN	
(G41) AVAILABLE	12672867	34566-1803	9	F	NATURAL	
(G41) AVAILABLE	12672873	34566-1903	9	G	BLUE	
(G41) AVAILABLE	12672871	34566-2003	9	H	ST GRY	80 79 78 77 76 75 74 73 72 71 70 69 68 67 66 65 64 63 62 61 60 59 58 57 56 55 54 53 52 51 50 49 48 47 46 45 44 43 42 41
(G41) ACTIVE	12672869	34566-2103	9	J	BLACK	40 39 38 37 36 35 34 33 32 31 30 29 28 27 26 25 24 23 22 21 20 19 18 17 16 15 14 13 12 11 10 9 8 7 6 5 4 3 2 1
ACTIVE	TBD	34566-2203	9	K	BROWN	
ACTIVE	TBD	34566-2303	9	L	GREEN	
ACTIVE	TBD	34566-2403	9	M	NATURAL	
(G41) AVAILABLE	12672856	34822-0013	0	A	BLACK	64 63 62 61 60 59 58 57 56 55 54 53 52 51 50 49 66 48 47 46 45 44 43 42 41 40 39 38 37 36 35 34 33
(G41) AVAILABLE	12672858	34822-0033	0	C	BLUE	65 32 31 30 29 28 27 26 25 24 23 22 21 20 19 18 17 16 15 14 13 12 11 10 9 8 7 6 5 4 3 2 1
(G41) AVAILABLE	12672857	34822-0023	9	A	BLACK	64 63 62 61 60 59 58 57 56 55 54 53 52 51 50 49 66 48 47 46 45 44 43 42 41 40 39 38 37 36 35 34 33
(G41) AVAILABLE	12672859	34822-0043	9	C	BLUE	65 32 31 30 29 28 27 26 25 24 23 22 21 20 19 18 17 16 15 14 13 12 11 10 9 8 7 6 5 4 3 2 1
N/A	N/A	N/A	N/A	N/A	N/A	73
AVAILABLE	NOT APPLICABLE	34566-2503	0	A	BLACK	72 71 69 68 67 66 64 63 62 59 56 53 53 50 48 46 44 43 42 41 40 39 39 36 35 33 73 32 30 29 27 23 20 17 14 13 12 11 9 8 5 4 3 2 1

SEE NEXT PAGE FOR ADDITIONAL NUMBERS

QUALITY SYMBOLS	THIS DRAWING CONTAINS INFORMATION THAT IS PROPRIETARY TO MOLEX ELECTRONIC TECHNOLOGIES, LLC AND SHOULD NOT BE USED WITHOUT WRITTEN PERMISSION		
= 0	2017/04/12 2017/04/21 EC NO: 115716 DRWN: TYE CHKD: REV APPR: JDENG02	GENERAL TOLERANCES (UNLESS SPECIFIED) DIMENSION UNITS: MM SCALE: 1:1 DRWN BY: SKRAJENDRANA DATE: 2011/02/14 CHKD BY: MVANSLAMBROU DATE: 2011/02/14 APPR BY: DATE:	
= 0		ANGULAR TOL ± ° 4 PLACES ± 3 PLACES ± 2 PLACES ± 1 PLACE ± 0 PLACES ±	
= 0		DRAFT WHERE APPLICABLE MUST REMAIN WITHIN DIMENSIONS DRAWING SIZE: D THIRD ANGLE PROJECTION	
= 0			PRODUCT CUSTOMER DRAWING SERIES: 34566 MATERIAL NUMBER: SEE BOM TABLE CUSTOMER: GENERAL MARKET
= 0			DOCUMENT NUMBER: SD-34566-001 DOC TYPE: PSD DOC PART: 000 SHEET NUMBER: 5 OF 93
= 0			

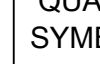



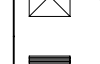
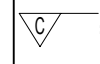


STATUS	GM PART #	MATERIAL #	WIRE DRESS OPTION	KEY OPTION ▽ <sub>E</sub>	COLOR (TPA) ▽ <sub>E</sub>	NUMBERS INDICATE CAVITIES OPEN FOR CIRCUITS ▽ <sub>P</sub>																											
						Cavity grid (rows 1-4, columns 1-28)																											
AVAILABLE	NOT APPLICABLE	34566-2603	0	B	ST GRY	Cavity grid for 34566-2603																											
AVAILABLE	NOT APPLICABLE	34566-2703	0	B	ST GRY	Cavity grid for 34566-2703																											
AVAILABLE	NOT APPLICABLE	34566-2803	0	H	ST GRY	Empty cavity grid																											
AVAILABLE	NOT APPLICABLE	34566-2903	0	A	BLACK	Cavity grid for 34566-2903																											
AVAILABLE	NOT APPLICABLE	34566-3003	0	A	BLACK	Cavity grid for 34566-3003																											
AVAILABLE	NOT APPLICABLE	34566-3103	0	B	ST GRY	Cavity grid for 34566-3103																											
AVAILABLE	NOT APPLICABLE	34566-3203	0	B	ST GRY	Cavity grid for 34566-3203																											
AVAILABLE	NOT APPLICABLE	34566-3303	0	B	ST GRY	Cavity grid for 34566-3303																											
AVAILABLE	NOT APPLICABLE	34566-3403	SEE 34566-3003																														
AVAILABLE	NOT APPLICABLE	34566-3503	0	A	BLACK	Cavity grid for 34566-3503																											

SEE NEXT PAGE FOR ADDITIONAL NUMBERS

QUALITY SYMBOLS ▽ <sub>E</sub> = 0 ▽ <sub>E</sub> = 0 ▽ <sub>E</sub> = 0 ▽ = 0 ▽ <sub>C</sub> = 0 □ = 0 ■ = 0 ▽ <sub>F</sub> = 0				THIS DRAWING CONTAINS INFORMATION THAT IS PROPRIETARY TO MOLEX ELECTRONIC TECHNOLOGIES, LLC AND SHOULD NOT BE USED WITHOUT WRITTEN PERMISSION EC NO: 115716 DRWN: TYE CHKD: JDENG02 REV APPR:				2017/04/12 2017/04/21		GENERAL TOLERANCES (UNLESS SPECIFIED) ANGULAR TOL ± ° 4 PLACES ± 3 PLACES ± 2 PLACES ± 1 PLACE ± 0 PLACES ± DRAFT WHERE APPLICABLE MUST REMAIN WITHIN DIMENSIONS		DIMENSION UNITS MM		SCALE 1:1		DRWN BY SKRAJENDRANA		DATE 2011/02/14		CHKD BY MVANSLAMBROU		DATE 2011/02/14		APPR BY DATE		DRAWING SIZE D		THIRD ANGLE PROJECTION 		molex® MX123 66/73/80CKT HRNS CONN ASSY PRODUCT CUSTOMER DRAWING			
RELEASE STATUS		RELEASE DATE		SERIES 34566		MATERIAL NUMBER SEE BOM TABLE		CUSTOMER GENERAL MARKET		DOCUMENT NUMBER SD-34566-001		DOC TYPE PSD		DOC PART 000		SHEET NUMBER 6 OF 93																	

STATUS	GM PART #	MATERIAL #	WIRE DRESS OPTION	KEY OPTION	COLOR (TPA)	NUMBERS INDICATE CAVITIES OPEN FOR CIRCUITS																																																																																											
AVAILABLE	NOT APPLICABLE	34566-3603	0	B	ST GRY	<table border="1"> <tr><td></td><td></td><td></td><td></td><td>68</td><td></td><td></td><td></td><td></td><td>64</td><td></td><td></td><td></td><td></td><td></td><td>59</td><td>57</td><td>55</td><td>53</td></tr> <tr><td></td><td></td><td></td><td>49</td><td>48</td><td>46</td><td></td><td></td><td></td><td></td><td></td><td></td><td></td><td></td><td></td><td>39</td><td>37</td><td>35</td><td>33</td></tr> <tr><td></td><td></td><td>73</td><td></td><td></td><td></td><td></td><td></td><td></td><td></td><td></td><td></td><td></td><td></td><td></td><td>23</td><td>21</td><td></td><td>18</td></tr> <tr><td></td><td></td><td></td><td></td><td></td><td></td><td></td><td></td><td></td><td></td><td>11</td><td>10</td><td></td><td></td><td></td><td>7</td><td></td><td></td><td></td></tr> </table>					68					64						59	57	55	53				49	48	46										39	37	35	33			73													23	21		18											11	10				7																		
				68					64						59	57	55	53																																																																															
			49	48	46										39	37	35	33																																																																															
		73													23	21		18																																																																															
										11	10				7																																																																																		
AVAILABLE	NOT APPLICABLE	34566-3703	0	A	BLACK	<table border="1"> <tr><td></td><td></td><td></td><td></td><td>68</td><td>67</td><td>66</td><td>65</td><td></td><td></td><td></td><td></td><td></td><td></td><td></td><td>59</td><td></td><td></td><td>55</td><td>53</td></tr> <tr><td></td><td></td><td></td><td>49</td><td>48</td><td>47</td><td></td><td></td><td></td><td>44</td><td></td><td></td><td></td><td></td><td></td><td>39</td><td></td><td></td><td>35</td><td>33</td></tr> <tr><td></td><td></td><td>73</td><td></td><td></td><td></td><td></td><td></td><td></td><td></td><td></td><td></td><td></td><td></td><td></td><td>23</td><td></td><td></td><td></td><td></td></tr> <tr><td></td><td></td><td></td><td></td><td></td><td></td><td></td><td></td><td></td><td></td><td></td><td></td><td></td><td></td><td></td><td>7</td><td></td><td></td><td></td><td></td></tr> </table>					68	67	66	65								59			55	53				49	48	47				44						39			35	33			73													23																				7															
				68	67	66	65								59			55	53																																																																														
			49	48	47				44						39			35	33																																																																														
		73													23																																																																																		
															7																																																																																		
AVAILABLE	NOT APPLICABLE	34566-3803	0	A	BLACK	<table border="1"> <tr><td>72</td><td>71</td><td></td><td>69</td><td>68</td><td>67</td><td>66</td><td></td><td>64</td><td>63</td><td>62</td><td></td><td></td><td></td><td></td><td>59</td><td></td><td>56</td><td></td><td>53</td></tr> <tr><td></td><td></td><td></td><td>50</td><td></td><td></td><td>48</td><td></td><td>46</td><td>44</td><td>43</td><td>42</td><td></td><td></td><td></td><td>39</td><td></td><td>36</td><td>35</td><td>33</td></tr> <tr><td></td><td></td><td></td><td>73</td><td></td><td></td><td>32</td><td></td><td>30</td><td>29</td><td></td><td>27</td><td></td><td></td><td></td><td>23</td><td></td><td>20</td><td></td><td>17</td></tr> <tr><td></td><td></td><td></td><td></td><td></td><td></td><td></td><td></td><td>14</td><td>13</td><td>12</td><td>11</td><td>10</td><td>9</td><td>8</td><td></td><td></td><td>5</td><td>4</td><td>3</td><td>2</td><td>1</td></tr> </table>	72	71		69	68	67	66		64	63	62					59		56		53				50			48		46	44	43	42				39		36	35	33				73			32		30	29		27				23		20		17									14	13	12	11	10	9	8			5	4	3	2	1									
72	71		69	68	67	66		64	63	62					59		56		53																																																																														
			50			48		46	44	43	42				39		36	35	33																																																																														
			73			32		30	29		27				23		20		17																																																																														
								14	13	12	11	10	9	8			5	4	3	2	1																																																																												
AVAILABLE	NOT APPLICABLE	34566-3903	0	B	ST GRY	<table border="1"> <tr><td></td><td></td><td></td><td></td><td></td><td></td><td></td><td></td><td></td><td></td><td></td><td></td><td></td><td></td><td></td><td>59</td><td>57</td><td>55</td><td>53</td></tr> <tr><td></td><td></td><td></td><td></td><td>49</td><td>48</td><td></td><td>46</td><td></td><td>44</td><td></td><td></td><td></td><td></td><td></td><td>39</td><td>37</td><td>35</td><td>33</td></tr> <tr><td></td><td></td><td>73</td><td></td><td></td><td></td><td></td><td></td><td></td><td></td><td></td><td></td><td></td><td></td><td></td><td>24</td><td>23</td><td>21</td><td></td><td></td></tr> <tr><td></td><td></td><td></td><td></td><td></td><td></td><td></td><td></td><td></td><td></td><td></td><td></td><td></td><td></td><td></td><td>7</td><td></td><td></td><td></td><td></td></tr> </table>																59	57	55	53					49	48		46		44						39	37	35	33			73													24	23	21																		7																	
															59	57	55	53																																																																															
				49	48		46		44						39	37	35	33																																																																															
		73													24	23	21																																																																																
															7																																																																																		
AVAILABLE	NOT APPLICABLE	34566-4003	0	B	ST GRY	<table border="1"> <tr><td></td><td></td><td></td><td></td><td></td><td></td><td>67</td><td>66</td><td></td><td>64</td><td>63</td><td></td><td></td><td></td><td></td><td>59</td><td>57</td><td>55</td><td>53</td></tr> <tr><td></td><td></td><td></td><td>50</td><td>49</td><td>48</td><td></td><td></td><td></td><td>43</td><td></td><td></td><td></td><td></td><td></td><td>39</td><td>37</td><td>35</td><td>33</td></tr> <tr><td></td><td></td><td></td><td>73</td><td></td><td></td><td>32</td><td></td><td></td><td>29</td><td></td><td>27</td><td></td><td></td><td></td><td>24</td><td>23</td><td>21</td><td>18</td></tr> <tr><td></td><td></td><td></td><td></td><td></td><td></td><td></td><td>15</td><td></td><td></td><td></td><td></td><td></td><td></td><td></td><td>7</td><td>6</td><td>5</td><td>4</td><td>3</td><td></td></tr> </table>							67	66		64	63					59	57	55	53				50	49	48				43						39	37	35	33				73			32			29		27				24	23	21	18								15								7	6	5	4	3														
						67	66		64	63					59	57	55	53																																																																															
			50	49	48				43						39	37	35	33																																																																															
			73			32			29		27				24	23	21	18																																																																															
							15								7	6	5	4	3																																																																														
AVAILABLE	NOT APPLICABLE	34566-4103	0	A	BLACK	<table border="1"> <tr><td>72</td><td>71</td><td></td><td>69</td><td>68</td><td>67</td><td>66</td><td></td><td>64</td><td>63</td><td>62</td><td></td><td></td><td></td><td></td><td>59</td><td></td><td></td><td></td><td></td><td></td></tr> <tr><td>52</td><td></td><td></td><td>49</td><td>48</td><td></td><td>46</td><td>45</td><td>44</td><td>43</td><td>42</td><td></td><td></td><td></td><td></td><td>40</td><td>39</td><td></td><td></td><td></td><td>35</td><td>33</td></tr> <tr><td></td><td></td><td></td><td>73</td><td></td><td></td><td>32</td><td></td><td></td><td>29</td><td>27</td><td>26</td><td></td><td></td><td></td><td>24</td><td>23</td><td></td><td></td><td></td><td></td><td>17</td></tr> <tr><td></td><td></td><td></td><td></td><td></td><td></td><td></td><td></td><td>14</td><td>13</td><td>12</td><td>11</td><td>10</td><td>9</td><td>8</td><td>7</td><td>6</td><td>5</td><td>4</td><td>3</td><td>2</td><td>1</td></tr> </table>	72	71		69	68	67	66		64	63	62					59						52			49	48		46	45	44	43	42					40	39				35	33				73			32			29	27	26				24	23					17									14	13	12	11	10	9	8	7	6	5	4	3	2	1				
72	71		69	68	67	66		64	63	62					59																																																																																		
52			49	48		46	45	44	43	42					40	39				35	33																																																																												
			73			32			29	27	26				24	23					17																																																																												
								14	13	12	11	10	9	8	7	6	5	4	3	2	1																																																																												
AVAILABLE	NOT APPLICABLE	34566-4203	0	B	ST GRY	<table border="1"> <tr><td></td><td></td><td></td><td></td><td></td><td></td><td></td><td></td><td></td><td></td><td></td><td></td><td></td><td></td><td></td><td>59</td><td>57</td><td>55</td><td>53</td></tr> <tr><td></td><td></td><td></td><td>50</td><td>49</td><td>48</td><td></td><td>46</td><td></td><td></td><td></td><td></td><td></td><td></td><td></td><td>39</td><td>37</td><td>35</td><td>33</td></tr> <tr><td></td><td></td><td></td><td>73</td><td></td><td></td><td>32</td><td></td><td></td><td>29</td><td></td><td></td><td></td><td></td><td></td><td>24</td><td>23</td><td>21</td><td></td><td>18</td></tr> <tr><td></td><td></td><td></td><td></td><td></td><td></td><td></td><td>15</td><td></td><td></td><td></td><td></td><td></td><td></td><td></td><td>7</td><td>6</td><td>5</td><td>4</td><td>3</td><td></td><td></td></tr> </table>																59	57	55	53				50	49	48		46								39	37	35	33				73			32			29						24	23	21		18								15								7	6	5	4	3													
															59	57	55	53																																																																															
			50	49	48		46								39	37	35	33																																																																															
			73			32			29						24	23	21		18																																																																														
							15								7	6	5	4	3																																																																														
AVAILABLE	NOT APPLICABLE	34566-4303	0	A	BLACK	<table border="1"> <tr><td></td><td></td><td>70</td><td>69</td><td>68</td><td>67</td><td></td><td>65</td><td>64</td><td>63</td><td></td><td>61</td><td></td><td></td><td></td><td>59</td><td>58</td><td>57</td><td>56</td><td></td><td></td><td></td></tr> <tr><td></td><td></td><td>50</td><td>49</td><td>48</td><td>47</td><td></td><td></td><td></td><td></td><td></td><td>41</td><td></td><td></td><td></td><td></td><td>38</td><td>37</td><td>36</td><td></td><td></td><td>34</td><td>33</td></tr> <tr><td></td><td></td><td></td><td></td><td></td><td></td><td></td><td></td><td></td><td></td><td></td><td></td><td></td><td></td><td></td><td>24</td><td>23</td><td></td><td></td><td></td><td>20</td><td>19</td><td>18</td></tr> <tr><td></td><td></td><td></td><td></td><td></td><td></td><td></td><td>16</td><td></td><td></td><td></td><td></td><td></td><td></td><td></td><td></td><td></td><td></td><td></td><td></td><td></td><td></td><td>1</td></tr> </table>			70	69	68	67		65	64	63		61				59	58	57	56						50	49	48	47						41					38	37	36			34	33																24	23				20	19	18								16															1
		70	69	68	67		65	64	63		61				59	58	57	56																																																																															
		50	49	48	47						41					38	37	36			34	33																																																																											
															24	23				20	19	18																																																																											
							16															1																																																																											

SEE NEXT PAGE FOR ADDITIONAL NUMBERS


<b>QUALITY SYMBOLS</b>  = 0  = 0  = 0  = 0  = 0  = 0  = 0	THIS DRAWING CONTAINS INFORMATION THAT IS PROPRIETARY TO MOLEX ELECTRONIC TECHNOLOGIES, LLC AND SHOULD NOT BE USED WITHOUT WRITTEN PERMISSION				
	EC NO: 115716 DRWN: TYE CHKD: JDENG02 REV APPR:	2017/04/12 2017/04/21	GENERAL TOLERANCES (UNLESS SPECIFIED) ANGULAR TOL ± ° 4 PLACES ± 3 PLACES ± 2 PLACES ± 1 PLACE ± 0 PLACES ± DRAFT WHERE APPLICABLE MUST REMAIN WITHIN DIMENSIONS	DIMENSION UNITS: MM SCALE: 1:1 DRWN BY: SKRAJENDRANA DATE: 2011/02/14 CHKD BY: MVANSLAMBROU DATE: 2011/02/14 APPR BY:	  MX123 66/73/80CKT HRNS CONN ASSY  PRODUCT CUSTOMER DRAWING
	<b>G50</b>	DRAWING SIZE: D THIRD ANGLE PROJECTION	SERIES: 34566 MATERIAL NUMBER: SEE BOM TABLE CUSTOMER: GENERAL MARKET		
	DOCUMENT NUMBER: SD-34566-001		DOC TYPE: PSD DOC PART: 000 SHEET NUMBER: 7 OF 93		

STATUS	GM PART #	MATERIAL #	WIRE DRESS OPTION	KEY OPTION	COLOR (TPA)	NUMBERS INDICATE CAVITIES OPEN FOR CIRCUITS																																																																																
AVAILABLE	NOT APPLICABLE	34566-4403	0	A	BLACK	<table border="1"> <tr><td>72</td><td>71</td><td>70</td><td>69</td><td>68</td><td>67</td><td>66</td><td>65</td><td>64</td><td>63</td><td></td><td>61</td><td></td><td>59</td><td>58</td><td>57</td><td>56</td><td></td><td></td><td></td></tr> <tr><td></td><td></td><td>50</td><td>49</td><td>48</td><td>47</td><td></td><td></td><td></td><td></td><td></td><td>41</td><td></td><td></td><td>38</td><td>37</td><td>36</td><td></td><td>34</td><td>33</td></tr> <tr><td colspan="4">73</td><td>32</td><td>31</td><td>30</td><td>29</td><td>28</td><td>27</td><td></td><td></td><td>24</td><td>23</td><td></td><td>20</td><td>19</td><td>18</td><td></td><td></td></tr> <tr><td colspan="4"></td><td>16</td><td></td><td></td><td>13</td><td>12</td><td>11</td><td>10</td><td>9</td><td></td><td></td><td>6</td><td></td><td>4</td><td></td><td></td><td></td></tr> </table>	72	71	70	69	68	67	66	65	64	63		61		59	58	57	56						50	49	48	47						41			38	37	36		34	33	73				32	31	30	29	28	27			24	23		20	19	18							16			13	12	11	10	9			6		4			
72	71	70	69	68	67	66	65	64	63		61		59	58	57	56																																																																						
		50	49	48	47						41			38	37	36		34	33																																																																			
73				32	31	30	29	28	27			24	23		20	19	18																																																																					
				16			13	12	11	10	9			6		4																																																																						
AVAILABLE	NOT APPLICABLE	34566-4503	0	H	ST GRY	<table border="1"> <tr><td></td><td>79</td><td>78</td><td>77</td><td>76</td><td>75</td><td>74</td><td>73</td><td>72</td><td>71</td><td>70</td><td>69</td><td>68</td><td></td><td>66</td><td>65</td><td>64</td><td>63</td><td></td><td>61</td></tr> <tr><td>60</td><td>59</td><td>58</td><td>57</td><td>56</td><td></td><td></td><td>53</td><td></td><td></td><td>50</td><td></td><td></td><td></td><td></td><td></td><td>44</td><td>43</td><td></td><td>41</td></tr> <tr><td>40</td><td>39</td><td>38</td><td>37</td><td></td><td>35</td><td>34</td><td>33</td><td>32</td><td></td><td>30</td><td>29</td><td></td><td>27</td><td>26</td><td></td><td>24</td><td>23</td><td>22</td><td>21</td></tr> <tr><td>20</td><td>19</td><td>18</td><td>17</td><td></td><td></td><td></td><td>13</td><td>12</td><td>11</td><td></td><td></td><td>8</td><td></td><td>6</td><td>5</td><td></td><td>3</td><td>2</td><td></td></tr> </table>		79	78	77	76	75	74	73	72	71	70	69	68		66	65	64	63		61	60	59	58	57	56			53			50						44	43		41	40	39	38	37		35	34	33	32		30	29		27	26		24	23	22	21	20	19	18	17				13	12	11			8		6	5		3	2	
	79	78	77	76	75	74	73	72	71	70	69	68		66	65	64	63		61																																																																			
60	59	58	57	56			53			50						44	43		41																																																																			
40	39	38	37		35	34	33	32		30	29		27	26		24	23	22	21																																																																			
20	19	18	17				13	12	11			8		6	5		3	2																																																																				
AVAILABLE	NOT APPLICABLE	34566-4603	0	H	ST GRY	<table border="1"> <tr><td></td><td>79</td><td>78</td><td>77</td><td>76</td><td>75</td><td>74</td><td>73</td><td>72</td><td>71</td><td>70</td><td>69</td><td>68</td><td></td><td>66</td><td>65</td><td>64</td><td>63</td><td></td><td>61</td></tr> <tr><td>60</td><td>59</td><td>58</td><td>57</td><td>56</td><td></td><td></td><td>53</td><td></td><td></td><td>50</td><td></td><td></td><td></td><td></td><td></td><td>44</td><td>43</td><td></td><td>41</td></tr> <tr><td>40</td><td>39</td><td>38</td><td>37</td><td></td><td>35</td><td>34</td><td>33</td><td>32</td><td></td><td>30</td><td>29</td><td></td><td>27</td><td>26</td><td></td><td>24</td><td>23</td><td>22</td><td>21</td></tr> <tr><td>20</td><td>19</td><td>18</td><td>17</td><td></td><td></td><td></td><td>13</td><td>12</td><td></td><td></td><td></td><td>8</td><td></td><td>6</td><td>5</td><td></td><td>3</td><td>2</td><td></td></tr> </table>		79	78	77	76	75	74	73	72	71	70	69	68		66	65	64	63		61	60	59	58	57	56			53			50						44	43		41	40	39	38	37		35	34	33	32		30	29		27	26		24	23	22	21	20	19	18	17				13	12				8		6	5		3	2	
	79	78	77	76	75	74	73	72	71	70	69	68		66	65	64	63		61																																																																			
60	59	58	57	56			53			50						44	43		41																																																																			
40	39	38	37		35	34	33	32		30	29		27	26		24	23	22	21																																																																			
20	19	18	17				13	12				8		6	5		3	2																																																																				
AVAILABLE	NOT APPLICABLE	34566-4703	0	B	ST GRY	<table border="1"> <tr><td></td><td></td><td></td><td></td><td></td><td>67</td><td>66</td><td>65</td><td>64</td><td></td><td></td><td></td><td></td><td></td><td>59</td><td>58</td><td>57</td><td></td><td>55</td><td>53</td></tr> <tr><td></td><td></td><td></td><td>49</td><td>48</td><td>47</td><td></td><td></td><td>44</td><td></td><td></td><td></td><td></td><td></td><td>39</td><td>38</td><td>37</td><td></td><td>35</td><td>33</td></tr> <tr><td colspan="4">73</td><td></td><td></td><td></td><td></td><td>29</td><td></td><td></td><td></td><td></td><td></td><td>23</td><td>22</td><td>21</td><td></td><td></td><td></td></tr> <tr><td colspan="4"></td><td></td><td></td><td></td><td></td><td>12</td><td></td><td></td><td>9</td><td></td><td>7</td><td></td><td></td><td></td><td></td><td></td><td></td></tr> </table>						67	66	65	64						59	58	57		55	53				49	48	47			44						39	38	37		35	33	73								29						23	22	21												12			9		7						
					67	66	65	64						59	58	57		55	53																																																																			
			49	48	47			44						39	38	37		35	33																																																																			
73								29						23	22	21																																																																						
								12			9		7																																																																									
AVAILABLE	NOT APPLICABLE	34566-4803	0	A	BLACK	<table border="1"> <tr><td>72</td><td>71</td><td></td><td>69</td><td>68</td><td>67</td><td>66</td><td></td><td>64</td><td>63</td><td>62</td><td>61</td><td></td><td>59</td><td></td><td></td><td></td><td></td><td></td><td>53</td></tr> <tr><td></td><td></td><td></td><td></td><td>48</td><td></td><td></td><td></td><td>44</td><td>43</td><td>42</td><td>41</td><td></td><td>39</td><td></td><td></td><td></td><td>35</td><td></td><td>33</td></tr> <tr><td colspan="4">73</td><td>32</td><td></td><td></td><td>29</td><td></td><td>27</td><td></td><td>25</td><td>23</td><td></td><td></td><td></td><td></td><td></td><td></td><td>17</td></tr> <tr><td colspan="4"></td><td></td><td></td><td></td><td>13</td><td>12</td><td>11</td><td></td><td>9</td><td>8</td><td></td><td></td><td>5</td><td>4</td><td>3</td><td>2</td><td>1</td></tr> </table>	72	71		69	68	67	66		64	63	62	61		59						53					48				44	43	42	41		39				35		33	73				32			29		27		25	23							17								13	12	11		9	8			5	4	3	2	1
72	71		69	68	67	66		64	63	62	61		59						53																																																																			
				48				44	43	42	41		39				35		33																																																																			
73				32			29		27		25	23							17																																																																			
							13	12	11		9	8			5	4	3	2	1																																																																			
AVAILABLE	NOT APPLICABLE	34566-4903	0	A	BLACK	<table border="1"> <tr><td>72</td><td>71</td><td>70</td><td>69</td><td>68</td><td></td><td>66</td><td>65</td><td>64</td><td>63</td><td>62</td><td>61</td><td></td><td>59</td><td>58</td><td>57</td><td>56</td><td>55</td><td></td><td></td></tr> <tr><td>52</td><td>51</td><td>50</td><td>49</td><td></td><td>47</td><td></td><td></td><td>44</td><td>43</td><td></td><td>41</td><td></td><td></td><td>38</td><td>37</td><td>36</td><td>35</td><td>34</td><td>33</td></tr> <tr><td colspan="4">73</td><td>32</td><td>31</td><td>30</td><td>29</td><td>28</td><td>27</td><td></td><td></td><td>24</td><td>23</td><td></td><td></td><td>20</td><td>19</td><td>18</td><td>17</td></tr> <tr><td colspan="4"></td><td>16</td><td>15</td><td>14</td><td>13</td><td>12</td><td>11</td><td>10</td><td>9</td><td></td><td></td><td></td><td></td><td></td><td></td><td>2</td><td>1</td></tr> </table>	72	71	70	69	68		66	65	64	63	62	61		59	58	57	56	55			52	51	50	49		47			44	43		41			38	37	36	35	34	33	73				32	31	30	29	28	27			24	23			20	19	18	17					16	15	14	13	12	11	10	9							2	1
72	71	70	69	68		66	65	64	63	62	61		59	58	57	56	55																																																																					
52	51	50	49		47			44	43		41			38	37	36	35	34	33																																																																			
73				32	31	30	29	28	27			24	23			20	19	18	17																																																																			
				16	15	14	13	12	11	10	9							2	1																																																																			
AVAILABLE	NOT APPLICABLE	34566-5003	0	H	ST GRY	<table border="1"> <tr><td></td><td>79</td><td>78</td><td>77</td><td>76</td><td>75</td><td>74</td><td>73</td><td>72</td><td>71</td><td>70</td><td>69</td><td>68</td><td></td><td>66</td><td>65</td><td>64</td><td>63</td><td></td><td>61</td></tr> <tr><td>60</td><td>59</td><td>58</td><td>57</td><td>56</td><td></td><td></td><td>53</td><td>52</td><td></td><td>50</td><td></td><td></td><td></td><td></td><td></td><td>44</td><td>43</td><td></td><td>41</td></tr> <tr><td>40</td><td>39</td><td>38</td><td>37</td><td></td><td>35</td><td>34</td><td>33</td><td>32</td><td></td><td>30</td><td>29</td><td></td><td>27</td><td>26</td><td></td><td></td><td></td><td>22</td><td>21</td></tr> <tr><td>20</td><td>19</td><td>18</td><td>17</td><td>16</td><td></td><td>14</td><td>13</td><td>12</td><td>11</td><td>10</td><td>9</td><td>8</td><td></td><td>6</td><td>5</td><td></td><td>3</td><td>2</td><td></td></tr> </table>		79	78	77	76	75	74	73	72	71	70	69	68		66	65	64	63		61	60	59	58	57	56			53	52		50						44	43		41	40	39	38	37		35	34	33	32		30	29		27	26				22	21	20	19	18	17	16		14	13	12	11	10	9	8		6	5		3	2	
	79	78	77	76	75	74	73	72	71	70	69	68		66	65	64	63		61																																																																			
60	59	58	57	56			53	52		50						44	43		41																																																																			
40	39	38	37		35	34	33	32		30	29		27	26				22	21																																																																			
20	19	18	17	16		14	13	12	11	10	9	8		6	5		3	2																																																																				
AVAILABLE	NOT APPLICABLE	34566-5103	0	B	ST GRY	<table border="1"> <tr><td></td><td></td><td></td><td></td><td></td><td>67</td><td>66</td><td>65</td><td></td><td></td><td></td><td></td><td></td><td></td><td>59</td><td>57</td><td>55</td><td></td><td>53</td></tr> <tr><td></td><td></td><td></td><td>49</td><td>48</td><td>47</td><td>46</td><td></td><td>44</td><td></td><td></td><td></td><td></td><td></td><td>39</td><td>37</td><td>35</td><td></td><td>33</td></tr> <tr><td colspan="4">73</td><td></td><td></td><td></td><td></td><td>29</td><td>28</td><td></td><td></td><td></td><td></td><td>23</td><td>21</td><td></td><td></td><td></td><td></td></tr> <tr><td colspan="4"></td><td></td><td></td><td></td><td></td><td></td><td></td><td></td><td></td><td></td><td>7</td><td></td><td></td><td></td><td></td><td></td><td></td></tr> </table>						67	66	65							59	57	55		53				49	48	47	46		44						39	37	35		33	73								29	28					23	21																		7								
					67	66	65							59	57	55		53																																																																				
			49	48	47	46		44						39	37	35		33																																																																				
73								29	28					23	21																																																																							
													7																																																																									

SEE NEXT PAGE FOR ADDITIONAL NUMBERS

<b>QUALITY SYMBOLS</b> 	THIS DRAWING CONTAINS INFORMATION THAT IS PROPRIETARY TO MOLEX ELECTRONIC TECHNOLOGIES, LLC AND SHOULD NOT BE USED WITHOUT WRITTEN PERMISSION										
	2017/04/12	2017/04/21	GENERAL TOLERANCES (UNLESS SPECIFIED)		DIMENSION UNITS	SCALE					
	DRWN: TYE	CHKD: JDENG02	ANGULAR TOL ± °		MM	1:1					
	EC NO: 115716 G50	REV APPR: JDENG02	4 PLACES ±	SKRAJENDRANA	DATE	2011/02/14		MX123 66/73/80CKT HRNS CONN ASSY  PRODUCT CUSTOMER DRAWING			
			3 PLACES ±	CHKD BY	DATE	2011/02/14					
			2 PLACES ±	APPR BY	DATE						
			1 PLACE ±	DRAWING SIZE		THIRD ANGLE PROJECTION					
			0 PLACES ±	D							
	DRAFT WHERE APPLICABLE MUST REMAIN WITHIN DIMENSIONS										
	SERIES		MATERIAL NUMBER		CUSTOMER						
34566		SEE BOM TABLE		GENERAL MARKET							
DOCUMENT NUMBER		DOC TYPE		DOC PART		SHEET NUMBER					
SD-34566-001		PSD		000		8 OF 93					

STATUS	GM PART #	MATERIAL #	WIRE DRESS OPTION	KEY OPTION ▽	COLOR (TPA) ▽	NUMBERS INDICATE CAVITIES OPEN FOR CIRCUITS ▽																																																																																
AVAILABLE	NOT APPLICABLE	34566-5203	0	A	BLACK	<table border="1"> <tr><td>72</td><td>71</td><td></td><td>69</td><td>68</td><td>67</td><td>66</td><td></td><td>64</td><td>63</td><td>62</td><td></td><td></td><td>59</td><td>58</td><td>57</td><td>56</td><td></td><td>54</td><td>53</td></tr> <tr><td>52</td><td>51</td><td>50</td><td>49</td><td>48</td><td>47</td><td>46</td><td></td><td>44</td><td>43</td><td>42</td><td></td><td></td><td>39</td><td>38</td><td>37</td><td>36</td><td>35</td><td>34</td><td>33</td></tr> <tr><td colspan="3">73</td><td>32</td><td>31</td><td>30</td><td>29</td><td></td><td>27</td><td></td><td></td><td></td><td>24</td><td>23</td><td>22</td><td>21</td><td>20</td><td>19</td><td></td><td>17</td></tr> <tr><td colspan="3"></td><td>15</td><td>14</td><td>13</td><td>12</td><td>11</td><td></td><td>9</td><td>8</td><td>7</td><td>6</td><td>5</td><td>4</td><td>3</td><td>2</td><td>1</td><td></td><td></td></tr> </table>	72	71		69	68	67	66		64	63	62			59	58	57	56		54	53	52	51	50	49	48	47	46		44	43	42			39	38	37	36	35	34	33	73			32	31	30	29		27				24	23	22	21	20	19		17				15	14	13	12	11		9	8	7	6	5	4	3	2	1		
72	71		69	68	67	66		64	63	62			59	58	57	56		54	53																																																																			
52	51	50	49	48	47	46		44	43	42			39	38	37	36	35	34	33																																																																			
73			32	31	30	29		27				24	23	22	21	20	19		17																																																																			
			15	14	13	12	11		9	8	7	6	5	4	3	2	1																																																																					
AVAILABLE	NOT APPLICABLE	34566-5303	0	B	ST GRY	<table border="1"> <tr><td></td><td></td><td></td><td></td><td></td><td></td><td></td><td></td><td>65</td><td>64</td><td></td><td></td><td></td><td></td><td>59</td><td></td><td>57</td><td></td><td>55</td><td>53</td></tr> <tr><td></td><td></td><td>50</td><td>49</td><td>48</td><td></td><td>46</td><td></td><td></td><td></td><td></td><td></td><td></td><td>39</td><td>38</td><td>37</td><td></td><td>35</td><td>33</td><td></td></tr> <tr><td colspan="3">73</td><td>32</td><td></td><td></td><td>29</td><td></td><td></td><td></td><td></td><td></td><td>23</td><td>21</td><td></td><td></td><td></td><td></td><td></td><td></td></tr> <tr><td colspan="3"></td><td>15</td><td></td><td></td><td></td><td></td><td></td><td></td><td></td><td>7</td><td>6</td><td>5</td><td>4</td><td>3</td><td></td><td></td><td></td><td></td></tr> </table>									65	64					59		57		55	53			50	49	48		46							39	38	37		35	33		73			32			29						23	21										15								7	6	5	4	3				
								65	64					59		57		55	53																																																																			
		50	49	48		46							39	38	37		35	33																																																																				
73			32			29						23	21																																																																									
			15								7	6	5	4	3																																																																							
AVAILABLE	NOT APPLICABLE	34566-5403	0	B	ST GRY	<table border="1"> <tr><td></td><td></td><td></td><td></td><td></td><td></td><td></td><td></td><td>65</td><td></td><td></td><td></td><td></td><td></td><td>59</td><td>58</td><td>57</td><td>56</td><td>55</td><td>53</td></tr> <tr><td></td><td></td><td>50</td><td>49</td><td>48</td><td></td><td>46</td><td>45</td><td></td><td></td><td></td><td></td><td></td><td>39</td><td>38</td><td>37</td><td></td><td>35</td><td>34</td><td>33</td></tr> <tr><td colspan="3">73</td><td></td><td></td><td></td><td>29</td><td></td><td></td><td></td><td></td><td></td><td>23</td><td>22</td><td>21</td><td></td><td></td><td></td><td>18</td><td></td></tr> <tr><td colspan="3"></td><td>16</td><td>15</td><td>14</td><td></td><td></td><td></td><td></td><td></td><td>7</td><td>6</td><td>5</td><td>4</td><td>3</td><td></td><td></td><td></td><td></td></tr> </table>									65						59	58	57	56	55	53			50	49	48		46	45						39	38	37		35	34	33	73						29						23	22	21				18					16	15	14						7	6	5	4	3				
								65						59	58	57	56	55	53																																																																			
		50	49	48		46	45						39	38	37		35	34	33																																																																			
73						29						23	22	21				18																																																																				
			16	15	14						7	6	5	4	3																																																																							
AVAILABLE	NOT APPLICABLE	34566-5503	0	A	BLACK	<table border="1"> <tr><td>72</td><td>71</td><td></td><td>69</td><td>68</td><td>67</td><td>66</td><td></td><td>64</td><td>63</td><td>62</td><td></td><td></td><td>60</td><td>59</td><td></td><td></td><td></td><td></td><td></td></tr> <tr><td>52</td><td></td><td></td><td>49</td><td>48</td><td></td><td>46</td><td></td><td>44</td><td>43</td><td>42</td><td></td><td></td><td>40</td><td>39</td><td></td><td></td><td></td><td>35</td><td>33</td></tr> <tr><td colspan="3">73</td><td>32</td><td></td><td></td><td>29</td><td></td><td>27</td><td>26</td><td></td><td></td><td>24</td><td>23</td><td></td><td></td><td></td><td></td><td></td><td>17</td></tr> <tr><td colspan="3"></td><td></td><td></td><td>14</td><td>13</td><td>12</td><td>11</td><td>10</td><td>9</td><td>8</td><td>7</td><td>6</td><td>5</td><td>4</td><td>3</td><td>2</td><td>1</td><td></td></tr> </table>	72	71		69	68	67	66		64	63	62			60	59						52			49	48		46		44	43	42			40	39				35	33	73			32			29		27	26			24	23						17						14	13	12	11	10	9	8	7	6	5	4	3	2	1	
72	71		69	68	67	66		64	63	62			60	59																																																																								
52			49	48		46		44	43	42			40	39				35	33																																																																			
73			32			29		27	26			24	23						17																																																																			
					14	13	12	11	10	9	8	7	6	5	4	3	2	1																																																																				
AVAILABLE	NOT APPLICABLE	34566-5603	SEE 34566-2503																																																																																			
AVAILABLE	NOT APPLICABLE	34566-5703	0	B	ST GRY	<table border="1"> <tr><td></td><td></td><td></td><td></td><td>68</td><td></td><td></td><td></td><td></td><td></td><td></td><td></td><td></td><td></td><td>59</td><td></td><td>57</td><td></td><td>55</td><td>53</td></tr> <tr><td></td><td></td><td></td><td>49</td><td>48</td><td></td><td>46</td><td></td><td></td><td></td><td></td><td></td><td></td><td>39</td><td>37</td><td></td><td>35</td><td></td><td>33</td><td></td></tr> <tr><td colspan="3">73</td><td></td><td></td><td></td><td>29</td><td></td><td></td><td></td><td></td><td></td><td>23</td><td>21</td><td></td><td></td><td></td><td>18</td><td>17</td><td></td></tr> <tr><td colspan="3"></td><td></td><td></td><td></td><td>12</td><td>11</td><td>10</td><td></td><td></td><td>7</td><td></td><td></td><td></td><td></td><td></td><td></td><td></td><td></td></tr> </table>					68										59		57		55	53				49	48		46							39	37		35		33		73						29						23	21				18	17								12	11	10			7								
				68										59		57		55	53																																																																			
			49	48		46							39	37		35		33																																																																				
73						29						23	21				18	17																																																																				
						12	11	10			7																																																																											
AVAILABLE	NOT APPLICABLE	34566-5803	0	B	ST GRY	<table border="1"> <tr><td></td><td></td><td></td><td></td><td></td><td></td><td></td><td></td><td>65</td><td></td><td></td><td></td><td></td><td></td><td>59</td><td></td><td>57</td><td></td><td>55</td><td>53</td></tr> <tr><td></td><td></td><td></td><td>49</td><td>48</td><td>47</td><td></td><td></td><td></td><td></td><td></td><td></td><td></td><td>39</td><td>37</td><td></td><td>35</td><td></td><td>33</td><td></td></tr> <tr><td colspan="3">73</td><td></td><td></td><td></td><td>29</td><td></td><td></td><td></td><td></td><td></td><td>23</td><td>21</td><td></td><td></td><td></td><td></td><td>17</td><td></td></tr> <tr><td colspan="3"></td><td></td><td></td><td></td><td>12</td><td></td><td></td><td></td><td></td><td>7</td><td></td><td></td><td></td><td></td><td></td><td></td><td></td><td></td></tr> </table>									65						59		57		55	53				49	48	47								39	37		35		33		73						29						23	21					17								12					7								
								65						59		57		55	53																																																																			
			49	48	47								39	37		35		33																																																																				
73						29						23	21					17																																																																				
						12					7																																																																											
AVAILABLE	NOT APPLICABLE	34566-5903	0	A	BLACK	<table border="1"> <tr><td>72</td><td>71</td><td></td><td>69</td><td>68</td><td>67</td><td>66</td><td></td><td>64</td><td>63</td><td>62</td><td></td><td></td><td>59</td><td></td><td></td><td></td><td></td><td></td><td>53</td></tr> <tr><td></td><td></td><td></td><td>48</td><td></td><td></td><td></td><td></td><td>44</td><td>43</td><td>42</td><td></td><td></td><td>39</td><td></td><td></td><td></td><td></td><td>35</td><td>33</td></tr> <tr><td colspan="3">73</td><td>32</td><td></td><td></td><td>29</td><td></td><td>27</td><td></td><td></td><td></td><td>23</td><td></td><td></td><td></td><td></td><td></td><td></td><td>17</td></tr> <tr><td colspan="3"></td><td></td><td></td><td></td><td>13</td><td>12</td><td>11</td><td></td><td>9</td><td>8</td><td></td><td></td><td>5</td><td>4</td><td>3</td><td>2</td><td>1</td><td></td></tr> </table>	72	71		69	68	67	66		64	63	62			59						53				48					44	43	42			39					35	33	73			32			29		27				23							17							13	12	11		9	8			5	4	3	2	1	
72	71		69	68	67	66		64	63	62			59						53																																																																			
			48					44	43	42			39					35	33																																																																			
73			32			29		27				23							17																																																																			
						13	12	11		9	8			5	4	3	2	1																																																																				
SEE NEXT PAGE FOR ADDITIONAL NUMBERS																																																																																						

<b>QUALITY SYMBOLS</b> ▽ = 0 ▽ = 0 ▽ = 0 ▽ = 0 ▽ = 0 ▽ = 0 ▽ = 0 ▽ = 0 ▽ = 0	THIS DRAWING CONTAINS INFORMATION THAT IS PROPRIETARY TO MOLEX ELECTRONIC TECHNOLOGIES, LLC AND SHOULD NOT BE USED WITHOUT WRITTEN PERMISSION		GENERAL TOLERANCES (UNLESS SPECIFIED) ANGULAR TOL ± °		DIMENSION UNITS SCALE		  MX123 66/73/80CKT HRNS CONN ASSY  PRODUCT CUSTOMER DRAWING
	DRWN BY: TYE CHKD: JDENG02 REV APPR: JDENG02	2017/04/12 2017/04/21	MM 1:1	DRWN BY: SKRAJENDRANA DATE: 2011/02/14 CHKD BY: MVANSLAMBROU DATE: 2011/02/14 APPR BY:	SERIES: 34566 MATERIAL NUMBER: SEE BOM TABLE CUSTOMER: GENERAL MARKET		
DRAFT WHERE APPLICABLE MUST REMAIN WITHIN DIMENSIONS			DRAFTING SIZE: D THIRD ANGLE PROJECTION	DOCUMENT NUMBER: SD-34566-001 DOC TYPE: PSD DOC PART: 000 SHEET NUMBER: 9 OF 93			


STATUS	GM PART #	MATERIAL #	WIRE DRESS OPTION	KEY OPTION 	COLOR (TPA) 	NUMBERS INDICATE CAVITIES OPEN FOR CIRCUITS 																																																																																				
AVAILABLE	NOT APPLICABLE	34566-6003	0	B	ST GRY	<table border="1"><tr><td></td><td></td><td></td><td></td><td>67</td><td>66</td><td>65</td><td></td><td></td><td></td><td></td><td></td><td></td><td>59</td><td>57</td><td>55</td><td>53</td></tr><tr><td></td><td></td><td>49</td><td>48</td><td>47</td><td></td><td></td><td></td><td></td><td></td><td></td><td></td><td></td><td>39</td><td>37</td><td>35</td><td>33</td></tr><tr><td></td><td></td><td>73</td><td></td><td></td><td></td><td></td><td></td><td></td><td></td><td></td><td></td><td></td><td>23</td><td>21</td><td></td><td></td></tr><tr><td></td><td></td><td></td><td></td><td></td><td></td><td></td><td></td><td></td><td></td><td></td><td></td><td></td><td>7</td><td></td><td></td><td></td></tr></table>					67	66	65							59	57	55	53			49	48	47									39	37	35	33			73											23	21																7																			
				67	66	65							59	57	55	53																																																																										
		49	48	47									39	37	35	33																																																																										
		73											23	21																																																																												
													7																																																																													
AVAILABLE	NOT APPLICABLE	34566-6103	0	B	ST GRY	<table border="1"><tr><td></td><td></td><td></td><td></td><td>67</td><td>66</td><td>65</td><td></td><td>62</td><td></td><td></td><td></td><td></td><td>59</td><td>57</td><td>55</td><td>53</td></tr><tr><td></td><td></td><td>49</td><td>48</td><td>47</td><td></td><td></td><td></td><td>42</td><td></td><td></td><td></td><td></td><td>39</td><td>37</td><td>35</td><td>33</td></tr><tr><td></td><td></td><td>73</td><td></td><td></td><td></td><td></td><td></td><td>26</td><td></td><td></td><td></td><td></td><td>23</td><td>21</td><td></td><td></td></tr><tr><td></td><td></td><td></td><td></td><td></td><td></td><td></td><td></td><td>9</td><td></td><td></td><td></td><td></td><td>7</td><td></td><td></td><td></td></tr></table>					67	66	65		62					59	57	55	53			49	48	47				42					39	37	35	33			73						26					23	21											9					7																			
				67	66	65		62					59	57	55	53																																																																										
		49	48	47				42					39	37	35	33																																																																										
		73						26					23	21																																																																												
								9					7																																																																													
AVAILABLE	NOT APPLICABLE	34566-6203	0	A	BLACK	<table border="1"><tr><td></td><td>71</td><td>70</td><td>69</td><td>68</td><td></td><td></td><td></td><td>65</td><td>64</td><td>63</td><td></td><td>61</td><td></td><td>59</td><td>57</td><td>56</td><td></td><td></td><td></td></tr><tr><td>52</td><td>51</td><td>50</td><td>49</td><td></td><td>47</td><td></td><td></td><td></td><td></td><td></td><td></td><td>41</td><td></td><td></td><td>38</td><td>37</td><td>36</td><td></td><td>34</td><td>33</td></tr><tr><td></td><td></td><td>73</td><td></td><td></td><td>32</td><td>31</td><td>30</td><td>29</td><td>28</td><td>27</td><td></td><td></td><td>24</td><td>23</td><td></td><td></td><td>20</td><td>19</td><td>18</td><td></td></tr><tr><td></td><td></td><td></td><td></td><td></td><td>16</td><td></td><td></td><td>13</td><td>12</td><td>11</td><td>10</td><td>9</td><td></td><td></td><td></td><td></td><td></td><td></td><td></td><td>1</td></tr></table>		71	70	69	68				65	64	63		61		59	57	56				52	51	50	49		47							41			38	37	36		34	33			73			32	31	30	29	28	27			24	23			20	19	18							16			13	12	11	10	9								1	
	71	70	69	68				65	64	63		61		59	57	56																																																																										
52	51	50	49		47							41			38	37	36		34	33																																																																						
		73			32	31	30	29	28	27			24	23			20	19	18																																																																							
					16			13	12	11	10	9								1																																																																						
AVAILABLE	NOT APPLICABLE	34566-6303	0	A	BLACK	<table border="1"><tr><td></td><td>71</td><td>70</td><td>69</td><td>68</td><td></td><td></td><td></td><td>65</td><td>64</td><td>63</td><td></td><td>61</td><td></td><td>59</td><td>57</td><td>56</td><td></td><td></td><td></td></tr><tr><td>52</td><td>51</td><td>50</td><td>49</td><td></td><td>47</td><td></td><td></td><td></td><td></td><td></td><td></td><td>41</td><td></td><td></td><td>38</td><td>37</td><td>36</td><td></td><td>34</td><td>33</td></tr><tr><td></td><td></td><td>73</td><td></td><td></td><td>32</td><td>31</td><td>30</td><td>29</td><td>28</td><td>27</td><td></td><td></td><td>24</td><td>23</td><td></td><td></td><td>20</td><td>19</td><td>18</td><td></td></tr><tr><td></td><td></td><td></td><td></td><td></td><td>16</td><td></td><td></td><td>13</td><td>12</td><td>11</td><td>10</td><td>9</td><td></td><td></td><td></td><td></td><td></td><td></td><td>2</td><td>1</td></tr></table>		71	70	69	68				65	64	63		61		59	57	56				52	51	50	49		47							41			38	37	36		34	33			73			32	31	30	29	28	27			24	23			20	19	18							16			13	12	11	10	9							2	1	
	71	70	69	68				65	64	63		61		59	57	56																																																																										
52	51	50	49		47							41			38	37	36		34	33																																																																						
		73			32	31	30	29	28	27			24	23			20	19	18																																																																							
					16			13	12	11	10	9							2	1																																																																						
AVAILABLE	NOT APPLICABLE	34566-6403	0	A	BLACK	<table border="1"><tr><td></td><td>71</td><td></td><td>69</td><td>68</td><td></td><td></td><td></td><td>65</td><td>64</td><td>63</td><td></td><td>61</td><td></td><td>59</td><td>58</td><td></td><td>56</td><td></td><td></td><td></td></tr><tr><td>52</td><td></td><td>50</td><td>49</td><td></td><td>47</td><td></td><td></td><td></td><td></td><td></td><td></td><td>41</td><td></td><td></td><td>38</td><td>37</td><td>36</td><td></td><td>34</td><td>33</td></tr><tr><td></td><td></td><td>73</td><td></td><td></td><td>32</td><td>31</td><td>30</td><td>29</td><td>28</td><td>27</td><td></td><td></td><td>24</td><td>23</td><td></td><td></td><td>20</td><td>19</td><td>18</td><td>17</td></tr><tr><td></td><td></td><td></td><td></td><td></td><td>16</td><td></td><td></td><td>13</td><td>12</td><td>11</td><td>10</td><td>9</td><td></td><td></td><td></td><td></td><td></td><td></td><td></td><td>1</td></tr></table>		71		69	68				65	64	63		61		59	58		56				52		50	49		47							41			38	37	36		34	33			73			32	31	30	29	28	27			24	23			20	19	18	17						16			13	12	11	10	9								1
	71		69	68				65	64	63		61		59	58		56																																																																									
52		50	49		47							41			38	37	36		34	33																																																																						
		73			32	31	30	29	28	27			24	23			20	19	18	17																																																																						
					16			13	12	11	10	9								1																																																																						
AVAILABLE	NOT APPLICABLE	34566-6503	0	A	BLACK	<table border="1"><tr><td></td><td>71</td><td></td><td>69</td><td>68</td><td></td><td></td><td></td><td>65</td><td>64</td><td>63</td><td></td><td>61</td><td></td><td>59</td><td>58</td><td></td><td>56</td><td></td><td></td><td></td></tr><tr><td>52</td><td></td><td>50</td><td>49</td><td></td><td>47</td><td></td><td></td><td></td><td></td><td></td><td></td><td>41</td><td></td><td></td><td>38</td><td>37</td><td>36</td><td></td><td>34</td><td>33</td></tr><tr><td></td><td></td><td>73</td><td></td><td></td><td>32</td><td>31</td><td>30</td><td>29</td><td>28</td><td>27</td><td></td><td></td><td>24</td><td>23</td><td></td><td></td><td>20</td><td>19</td><td>18</td><td>17</td></tr><tr><td></td><td></td><td></td><td></td><td></td><td>16</td><td></td><td></td><td>13</td><td>12</td><td>11</td><td>10</td><td>9</td><td></td><td></td><td></td><td></td><td></td><td></td><td>2</td><td>1</td></tr></table>		71		69	68				65	64	63		61		59	58		56				52		50	49		47							41			38	37	36		34	33			73			32	31	30	29	28	27			24	23			20	19	18	17						16			13	12	11	10	9							2	1
	71		69	68				65	64	63		61		59	58		56																																																																									
52		50	49		47							41			38	37	36		34	33																																																																						
		73			32	31	30	29	28	27			24	23			20	19	18	17																																																																						
					16			13	12	11	10	9							2	1																																																																						
AVAILABLE	NOT APPLICABLE	34566-6603	0	H	ST GRY	<table border="1"><tr><td></td><td>79</td><td>78</td><td>77</td><td>76</td><td>75</td><td>74</td><td>73</td><td>72</td><td>71</td><td>70</td><td>69</td><td>68</td><td></td><td>66</td><td>65</td><td>64</td><td>63</td><td></td><td>61</td></tr><tr><td>60</td><td>59</td><td>58</td><td>57</td><td>56</td><td></td><td></td><td>53</td><td>52</td><td></td><td>50</td><td></td><td></td><td></td><td></td><td></td><td></td><td>44</td><td>43</td><td></td><td>41</td></tr><tr><td>40</td><td>39</td><td>38</td><td>37</td><td></td><td>35</td><td>34</td><td>33</td><td>32</td><td></td><td>30</td><td>29</td><td></td><td></td><td>27</td><td>26</td><td></td><td></td><td></td><td>22</td><td>21</td></tr><tr><td>20</td><td>19</td><td>18</td><td>17</td><td>16</td><td></td><td></td><td>13</td><td>12</td><td></td><td></td><td></td><td></td><td>8</td><td></td><td>6</td><td>5</td><td></td><td></td><td>3</td><td>2</td></tr></table>		79	78	77	76	75	74	73	72	71	70	69	68		66	65	64	63		61	60	59	58	57	56			53	52		50							44	43		41	40	39	38	37		35	34	33	32		30	29			27	26				22	21	20	19	18	17	16			13	12					8		6	5			3	2	
	79	78	77	76	75	74	73	72	71	70	69	68		66	65	64	63		61																																																																							
60	59	58	57	56			53	52		50							44	43		41																																																																						
40	39	38	37		35	34	33	32		30	29			27	26				22	21																																																																						
20	19	18	17	16			13	12					8		6	5			3	2																																																																						
AVAILABLE	NOT APPLICABLE	34566-6703	0	H	ST GRY	<table border="1"><tr><td></td><td>79</td><td>78</td><td>77</td><td>76</td><td>75</td><td>74</td><td>73</td><td>72</td><td>71</td><td>70</td><td>69</td><td>68</td><td></td><td>66</td><td>65</td><td>64</td><td>63</td><td></td><td>61</td></tr><tr><td>60</td><td>59</td><td>58</td><td>57</td><td>56</td><td></td><td></td><td>53</td><td></td><td></td><td>50</td><td></td><td></td><td></td><td></td><td></td><td></td><td>44</td><td>43</td><td></td><td>41</td></tr><tr><td>40</td><td>39</td><td>38</td><td>37</td><td></td><td>35</td><td>34</td><td>33</td><td>32</td><td></td><td>30</td><td>29</td><td></td><td></td><td>27</td><td>26</td><td></td><td></td><td></td><td>22</td><td>21</td></tr><tr><td>20</td><td>19</td><td>18</td><td>17</td><td></td><td></td><td>14</td><td>13</td><td>12</td><td>11</td><td>10</td><td>9</td><td>8</td><td></td><td></td><td>6</td><td>5</td><td></td><td></td><td>3</td><td>2</td></tr></table>		79	78	77	76	75	74	73	72	71	70	69	68		66	65	64	63		61	60	59	58	57	56			53			50							44	43		41	40	39	38	37		35	34	33	32		30	29			27	26				22	21	20	19	18	17			14	13	12	11	10	9	8			6	5			3	2	
	79	78	77	76	75	74	73	72	71	70	69	68		66	65	64	63		61																																																																							
60	59	58	57	56			53			50							44	43		41																																																																						
40	39	38	37		35	34	33	32		30	29			27	26				22	21																																																																						
20	19	18	17			14	13	12	11	10	9	8			6	5			3	2																																																																						

SEE NEXT PAGE FOR ADDITIONAL NUMBERS

<b>QUALITY SYMBOLS</b> = 0 = 0 = 0 = 0 = 0 = 0 = 0 = 0 = 0	THIS DRAWING CONTAINS INFORMATION THAT IS PROPRIETARY TO MOLEX ELECTRONIC TECHNOLOGIES, LLC AND SHOULD NOT BE USED WITHOUT WRITTEN PERMISSION					
	EC NO: 115716 DRWN: TYE CHKD: JDENGO2 REV APPR: JDENGO2	2017/04/12 2017/04/21	<b>GENERAL TOLERANCES (UNLESS SPECIFIED)</b> ANGULAR TOL ± ° 4 PLACES ± 3 PLACES ± 2 PLACES ± 1 PLACE ± 0 PLACES ± DRAFT WHERE APPLICABLE MUST REMAIN WITHIN DIMENSIONS	DIMENSION UNITS: <b>MM</b> SCALE: <b>1:1</b> DRWN BY: SKRAJENDRANA DATE: 2011/02/14 CHKD BY: MVANSLAMBROU DATE: 2011/02/14 APPR BY:	<b>molex</b>  MX123 66/73/80CKT HRNS CONN ASSY  PRODUCT CUSTOMER DRAWING	SERIES: 34566 MATERIAL NUMBER: SEE BOM TABLE CUSTOMER: GENERAL MARKET
RELEASE STATUS: [ ] RELEASE DATE: [ ]	<b>DOCUMENT NUMBER: SD-34566-001</b> DOC TYPE: PSD DOC PART: 000 SHEET NUMBER: 10 OF 93					

STATUS	GM PART #	MATERIAL #	WIRE DRESS OPTION	KEY OPTION	COLOR (TPA)	NUMBERS INDICATE CAVITIES OPEN FOR CIRCUITS																				
						▽FP																				
AVAILABLE	NOT APPLICABLE	34566-6803	0	B	ST GRY									65								59	57	55	53	
									49	48	46		44									39	37	35	33	
						73									29	28						23	21			
																						7				
AVAILABLE	NOT APPLICABLE	34566-6903	0	B	ST GRY									64								59	57	55	53	
									49	48	46											39	37	35	33	
						73									32		29					23	21		18	
																						7				
AVAILABLE	NOT APPLICABLE	34566-7003	0	B	ST GRY									67	66							59	57	56	55	53
									50	49	48	47										39	37	36	35	33
						73											29					23	21		18	17
											15	13	12								8	7	6	5	4	3
AVAILABLE	NOT APPLICABLE	34566-7103	0	A	BLACK	72	71	70	69	68	67	66		64	63	62		60	59					55	54	53
						52			49	48				44	43	42		40	39					35	34	33
						73					32			29	28	27		24	23					19	18	17
											16			13	12	11		9	8	7	6	5	4	3	2	1
AVAILABLE	NOT APPLICABLE	34566-7203	0	B	ST GRY	72	71	70	69	68	67	66	65	64	63	62		60	59					55	54	53
						52			49	48				44	43	42		40	39					35	34	33
						73					32			29	27		24	23					20	19	18	17
											16			13	12	11		9	8	7	6	5	4	3	2	1
AVAILABLE	NOT APPLICABLE	34566-7303	0	B	ST GRY				69	68		66									59			55	53	
									49	48		46									39		37	35	33	
						73							29	28						23		21		18	17	
													12	11	10					7						
AVAILABLE	NOT APPLICABLE	34566-7403	0	B	ST GRY																59	57	55	53		
									50	49	48		46								39	37	35	33		
						73										29					23	21				
											15									7	6	5	4	3		
AVAILABLE	NOT APPLICABLE	34566-7503	0	A	BLACK	72	71	70	69	68	67	66		64	63	62		60	59	58	57	56	55	54	53	
						52	51	50	49	48	47	46		44	43	42		40	39	38	37	36	35	34	33	
						73					32	31	30	29	28	27		24	23	22	21	20	19	18	17	
											16	15	14	13	12	11		9	8	7	6	5	4	3	2	1

SEE NEXT PAGE FOR ADDITIONAL NUMBERS


<b>QUALITY SYMBOLS</b> ▽ = 0 ▽ = 0 ▽ = 0 ▽ = 0 ▽ = 0 ▽ = 0 ▽ = 0 ▽ = 0 ▽ = 0	THIS DRAWING CONTAINS INFORMATION THAT IS PROPRIETARY TO MOLEX ELECTRONIC TECHNOLOGIES, LLC AND SHOULD NOT BE USED WITHOUT WRITTEN PERMISSION		GENERAL TOLERANCES (UNLESS SPECIFIED) DIMENSION UNITS: MM SCALE: 1:1	
	EC NO: 115716 DRWN: TYE CHKD: REV APPR: JDENG02	2017/04/12 2017/04/21	ANGULAR TOL ± ° 4 PLACES ± 3 PLACES ± 2 PLACES ± 1 PLACE ± 0 PLACES ± DRAFT WHERE APPLICABLE MUST REMAIN WITHIN DIMENSIONS	
RELEASE STATUS: <input type="checkbox"/> RELEASE DATE:	SERIES: 34566 MATERIAL NUMBER: SEE BOM TABLE CUSTOMER: GENERAL MARKET	DOCUMENT NUMBER: SD-34566-001 DOC TYPE: PSD DOC PART: 000 SHEET NUMBER: 11 OF 93		

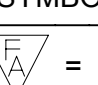
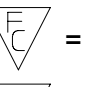

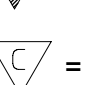
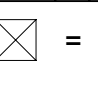
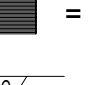
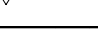

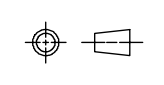


STATUS	GM PART #	MATERIAL #	WIRE DRESS OPTION	KEY OPTION	COLOR (TPA)	NUMBERS INDICATE CAVITIES OPEN FOR CIRCUITS																																																																																			
AVAILABLE	NOT APPLICABLE	34566-7603	0	B	ST GRY	<table border="1"> <tr><td></td><td></td><td></td><td>69</td><td>68</td><td></td><td>66</td><td></td><td></td><td></td><td></td><td></td><td></td><td></td><td>59</td><td>57</td><td></td><td>55</td><td></td><td>53</td></tr> <tr><td></td><td></td><td></td><td>49</td><td>48</td><td></td><td>46</td><td></td><td>44</td><td></td><td></td><td></td><td></td><td></td><td>39</td><td>37</td><td></td><td>35</td><td></td><td>33</td></tr> <tr><td colspan="3">73</td><td></td><td></td><td></td><td>29</td><td>28</td><td></td><td></td><td></td><td></td><td></td><td>23</td><td>21</td><td></td><td></td><td></td><td>18</td><td>17</td></tr> <tr><td></td><td></td><td></td><td></td><td></td><td></td><td>12</td><td>11</td><td>10</td><td></td><td></td><td></td><td></td><td>7</td><td></td><td></td><td></td><td></td><td></td><td></td></tr> </table>				69	68		66								59	57		55		53				49	48		46		44						39	37		35		33	73						29	28						23	21				18	17							12	11	10					7									
			69	68		66								59	57		55		53																																																																						
			49	48		46		44						39	37		35		33																																																																						
73						29	28						23	21				18	17																																																																						
						12	11	10					7																																																																												
AVAILABLE	NOT APPLICABLE	34566-7703	0	A	BLACK	<table border="1"> <tr><td>72</td><td>71</td><td>70</td><td>69</td><td>68</td><td>67</td><td>66</td><td></td><td>64</td><td>63</td><td>62</td><td></td><td>60</td><td>59</td><td></td><td></td><td></td><td>55</td><td>54</td><td>53</td></tr> <tr><td>52</td><td></td><td></td><td>49</td><td>48</td><td></td><td></td><td></td><td>44</td><td>43</td><td>42</td><td></td><td>40</td><td>39</td><td></td><td></td><td></td><td>35</td><td>34</td><td>33</td></tr> <tr><td colspan="3">73</td><td></td><td>32</td><td></td><td></td><td>29</td><td></td><td>27</td><td></td><td></td><td>24</td><td>23</td><td></td><td></td><td></td><td>19</td><td>18</td><td>17</td></tr> <tr><td></td><td></td><td></td><td>16</td><td></td><td></td><td>13</td><td>12</td><td>11</td><td></td><td></td><td>9</td><td>8</td><td>7</td><td>6</td><td>5</td><td>4</td><td>3</td><td>2</td><td>1</td></tr> </table>	72	71	70	69	68	67	66		64	63	62		60	59				55	54	53	52			49	48				44	43	42		40	39				35	34	33	73				32			29		27			24	23				19	18	17				16			13	12	11			9	8	7	6	5	4	3	2	1			
72	71	70	69	68	67	66		64	63	62		60	59				55	54	53																																																																						
52			49	48				44	43	42		40	39				35	34	33																																																																						
73				32			29		27			24	23				19	18	17																																																																						
			16			13	12	11			9	8	7	6	5	4	3	2	1																																																																						
AVAILABLE	NOT APPLICABLE	34566-7803	0	A	BLACK	<table border="1"> <tr><td>72</td><td>71</td><td>70</td><td></td><td>68</td><td></td><td>66</td><td></td><td>64</td><td>63</td><td>62</td><td>61</td><td>60</td><td>59</td><td></td><td></td><td></td><td>55</td><td>54</td><td>53</td></tr> <tr><td>52</td><td></td><td></td><td>49</td><td>48</td><td></td><td>46</td><td></td><td>44</td><td>43</td><td>42</td><td></td><td>40</td><td>39</td><td></td><td></td><td></td><td>35</td><td>34</td><td>33</td></tr> <tr><td colspan="3">73</td><td></td><td>32</td><td></td><td></td><td>29</td><td>28</td><td>27</td><td></td><td></td><td>24</td><td>23</td><td></td><td></td><td></td><td>19</td><td>18</td><td>17</td></tr> <tr><td></td><td></td><td></td><td>16</td><td></td><td>14</td><td>13</td><td>12</td><td>11</td><td></td><td></td><td>9</td><td>8</td><td>7</td><td>6</td><td></td><td></td><td>3</td><td>2</td><td>1</td></tr> </table>	72	71	70		68		66		64	63	62	61	60	59				55	54	53	52			49	48		46		44	43	42		40	39				35	34	33	73				32			29	28	27			24	23				19	18	17				16		14	13	12	11			9	8	7	6			3	2	1			
72	71	70		68		66		64	63	62	61	60	59				55	54	53																																																																						
52			49	48		46		44	43	42		40	39				35	34	33																																																																						
73				32			29	28	27			24	23				19	18	17																																																																						
			16		14	13	12	11			9	8	7	6			3	2	1																																																																						
AVAILABLE	NOT APPLICABLE	34566-7903	0	B	ST GRY	<table border="1"> <tr><td></td><td></td><td></td><td></td><td></td><td></td><td></td><td></td><td>64</td><td></td><td></td><td>61</td><td></td><td>59</td><td>57</td><td></td><td></td><td>55</td><td>54</td><td>53</td></tr> <tr><td></td><td></td><td></td><td></td><td></td><td></td><td></td><td></td><td></td><td></td><td>42</td><td></td><td></td><td>39</td><td></td><td></td><td></td><td>35</td><td></td><td>33</td></tr> <tr><td colspan="3">73</td><td></td><td></td><td></td><td></td><td></td><td></td><td></td><td></td><td></td><td></td><td>23</td><td></td><td></td><td>20</td><td>19</td><td></td><td></td></tr> <tr><td></td><td></td><td></td><td></td><td></td><td></td><td>15</td><td></td><td></td><td></td><td></td><td></td><td></td><td></td><td></td><td></td><td>4</td><td>3</td><td>2</td><td>1</td></tr> </table>									64			61		59	57			55	54	53											42			39				35		33	73													23			20	19									15										4	3	2	1			
								64			61		59	57			55	54	53																																																																						
										42			39				35		33																																																																						
73													23			20	19																																																																								
						15										4	3	2	1																																																																						
AVAILABLE	NOT APPLICABLE	34566-8003	0	A	BLACK	<table border="1"> <tr><td></td><td></td><td></td><td>69</td><td>68</td><td></td><td></td><td></td><td>65</td><td>64</td><td>63</td><td></td><td>61</td><td>60</td><td>59</td><td>58</td><td></td><td>56</td><td></td><td></td></tr> <tr><td>52</td><td></td><td>50</td><td>49</td><td>48</td><td>47</td><td></td><td></td><td></td><td></td><td></td><td></td><td>41</td><td></td><td></td><td>38</td><td>37</td><td>36</td><td></td><td>34</td><td>33</td></tr> <tr><td colspan="3">73</td><td></td><td>32</td><td>31</td><td>30</td><td>29</td><td>28</td><td>27</td><td></td><td></td><td>24</td><td>23</td><td></td><td></td><td>20</td><td>19</td><td>18</td><td>17</td></tr> <tr><td></td><td></td><td></td><td>16</td><td></td><td></td><td>13</td><td>12</td><td>11</td><td>10</td><td>9</td><td></td><td></td><td></td><td></td><td></td><td></td><td></td><td></td><td>1</td></tr> </table>				69	68				65	64	63		61	60	59	58		56			52		50	49	48	47							41			38	37	36		34	33	73				32	31	30	29	28	27			24	23			20	19	18	17				16			13	12	11	10	9									1		
			69	68				65	64	63		61	60	59	58		56																																																																								
52		50	49	48	47							41			38	37	36		34	33																																																																					
73				32	31	30	29	28	27			24	23			20	19	18	17																																																																						
			16			13	12	11	10	9									1																																																																						
AVAILABLE	NOT APPLICABLE	34566-8103	0	H	ST GRY	<table border="1"> <tr><td></td><td></td><td>78</td><td></td><td></td><td></td><td></td><td></td><td>72</td><td>71</td><td>70</td><td>69</td><td>68</td><td></td><td>66</td><td>65</td><td>64</td><td>63</td><td></td><td>61</td></tr> <tr><td>60</td><td>59</td><td>58</td><td>57</td><td>56</td><td></td><td></td><td></td><td>53</td><td>52</td><td>50</td><td></td><td></td><td></td><td></td><td></td><td>44</td><td>43</td><td></td><td>41</td></tr> <tr><td>40</td><td></td><td></td><td>37</td><td></td><td>35</td><td>34</td><td>33</td><td>32</td><td></td><td>30</td><td>29</td><td></td><td>27</td><td>26</td><td></td><td>24</td><td></td><td></td><td>22</td><td>21</td></tr> <tr><td>20</td><td>19</td><td>18</td><td>17</td><td>16</td><td></td><td></td><td>13</td><td>12</td><td></td><td></td><td></td><td></td><td>8</td><td>6</td><td>5</td><td></td><td>3</td><td>2</td><td></td><td></td></tr> </table>			78						72	71	70	69	68		66	65	64	63		61	60	59	58	57	56				53	52	50						44	43		41	40			37		35	34	33	32		30	29		27	26		24			22	21	20	19	18	17	16			13	12					8	6	5		3	2			
		78						72	71	70	69	68		66	65	64	63		61																																																																						
60	59	58	57	56				53	52	50						44	43		41																																																																						
40			37		35	34	33	32		30	29		27	26		24			22	21																																																																					
20	19	18	17	16			13	12					8	6	5		3	2																																																																							
AVAILABLE	NOT APPLICABLE	34566-8203	0	A	BLACK	<table border="1"> <tr><td></td><td></td><td>70</td><td></td><td></td><td>67</td><td>66</td><td></td><td></td><td></td><td></td><td></td><td></td><td></td><td>58</td><td>56</td><td>55</td><td>54</td><td></td><td></td></tr> <tr><td></td><td></td><td></td><td></td><td></td><td>47</td><td></td><td></td><td>44</td><td>43</td><td>42</td><td>41</td><td></td><td>39</td><td></td><td>37</td><td>36</td><td></td><td>34</td><td></td><td></td></tr> <tr><td colspan="3">73</td><td></td><td></td><td>31</td><td>30</td><td></td><td></td><td>27</td><td></td><td>25</td><td>24</td><td></td><td></td><td>21</td><td>20</td><td>19</td><td>18</td><td></td><td></td></tr> <tr><td></td><td></td><td></td><td></td><td></td><td></td><td>13</td><td></td><td></td><td></td><td></td><td></td><td></td><td></td><td>6</td><td>5</td><td>4</td><td>3</td><td></td><td>1</td><td></td></tr> </table>			70			67	66								58	56	55	54								47			44	43	42	41		39		37	36		34			73					31	30			27		25	24			21	20	19	18									13								6	5	4	3		1	
		70			67	66								58	56	55	54																																																																								
					47			44	43	42	41		39		37	36		34																																																																							
73					31	30			27		25	24			21	20	19	18																																																																							
						13								6	5	4	3		1																																																																						
AVAILABLE	NOT APPLICABLE	34566-8303	0	A	BLACK	<table border="1"> <tr><td>72</td><td>71</td><td></td><td>69</td><td>68</td><td>67</td><td>66</td><td></td><td>64</td><td>63</td><td>62</td><td></td><td></td><td>59</td><td>58</td><td>57</td><td>56</td><td></td><td>54</td><td>53</td></tr> <tr><td>52</td><td>51</td><td>50</td><td>49</td><td>48</td><td>47</td><td>46</td><td></td><td>44</td><td>43</td><td>42</td><td></td><td></td><td>39</td><td>38</td><td>37</td><td>36</td><td>35</td><td>34</td><td>33</td></tr> <tr><td colspan="3">73</td><td></td><td>32</td><td>31</td><td>30</td><td>29</td><td></td><td>27</td><td></td><td></td><td>24</td><td>23</td><td>22</td><td>21</td><td>20</td><td>19</td><td></td><td>17</td></tr> <tr><td></td><td></td><td></td><td></td><td>15</td><td>14</td><td>13</td><td>12</td><td>11</td><td></td><td></td><td>9</td><td>8</td><td>7</td><td>6</td><td>5</td><td>4</td><td>3</td><td>2</td><td>1</td></tr> </table>	72	71		69	68	67	66		64	63	62			59	58	57	56		54	53	52	51	50	49	48	47	46		44	43	42			39	38	37	36	35	34	33	73				32	31	30	29		27			24	23	22	21	20	19		17					15	14	13	12	11			9	8	7	6	5	4	3	2	1			
72	71		69	68	67	66		64	63	62			59	58	57	56		54	53																																																																						
52	51	50	49	48	47	46		44	43	42			39	38	37	36	35	34	33																																																																						
73				32	31	30	29		27			24	23	22	21	20	19		17																																																																						
				15	14	13	12	11			9	8	7	6	5	4	3	2	1																																																																						

SEE NEXT PAGE FOR ADDITIONAL NUMBERS

<b>QUALITY SYMBOLS</b> = 0 = 0 = 0 = 0 = 0 = 0 = 0 = 0 = 0	THIS DRAWING CONTAINS INFORMATION THAT IS PROPRIETARY TO MOLEX ELECTRONIC TECHNOLOGIES, LLC AND SHOULD NOT BE USED WITHOUT WRITTEN PERMISSION									
	2017/04/12	2017/04/21	GENERAL TOLERANCES (UNLESS SPECIFIED)		DIMENSION UNITS	SCALE				
	MM	1:1								
	DRWN BY	DATE	ANGULAR TOL ± °		DRWN BY	DATE	<b>MX123</b> <b>66/73/80CKT HRNS CONN ASSY</b>			
	SKRAJENDRANA	2011/02/14	4 PLACES ±		SKRAJENDRANA	2011/02/14				
	CHKD BY	DATE	3 PLACES ±		CHKD BY	DATE	<b>PRODUCT CUSTOMER DRAWING</b>			
	MVANSLAMBROU	2011/02/14	2 PLACES ±		MVANSLAMBROU	2011/02/14				
	APPR BY	DATE	1 PLACE ±		APPR BY	DATE	<b>GENERAL MARKET</b>			
			0 PLACES ±							
	EC NO: 115716	DRWN: TYE	CHKD: JDENG02	REV: APPR: JDENG02	DRAFT WHERE APPLICABLE MUST REMAIN WITHIN DIMENSIONS	DRAWING SIZE	THIRD ANGLE PROJECTION	SERIES	MATERIAL NUMBER	CUSTOMER
G50				D	D	Third Angle Projection Symbol	34566	SEE BOM TABLE	GENERAL MARKET	
							DOCUMENT NUMBER	DOC TYPE	DOC PART	SHEET NUMBER
							SD-34566-001	PSD	000	12 OF 93

STATUS	GM PART #	MATERIAL #	WIRE DRESS OPTION	KEY OPTION	COLOR (TPA)	NUMBERS INDICATE CAVITIES OPEN FOR CIRCUITS 																																																																																																																											
AVAILABLE	NOT APPLICABLE	34566-8403	0	B	ST GRY	<table border="1"> <tr><td></td><td></td><td></td><td></td><td></td><td></td><td></td><td></td><td></td><td></td><td></td><td></td><td></td><td></td><td></td><td>65</td><td>64</td><td></td><td></td><td></td><td></td><td></td><td>59</td><td>57</td><td>55</td><td>53</td></tr> <tr><td></td><td></td><td></td><td>50</td><td>49</td><td>48</td><td>46</td><td></td><td></td><td></td><td></td><td></td><td></td><td></td><td></td><td>39</td><td>37</td><td>35</td><td>33</td><td></td><td></td><td></td><td></td><td></td><td></td><td></td></tr> <tr><td colspan="6">73</td><td></td><td>32</td><td></td><td>29</td><td></td><td></td><td></td><td></td><td></td><td>24</td><td>23</td><td>21</td><td></td><td></td><td></td><td></td><td></td><td></td><td></td><td></td></tr> <tr><td></td><td></td><td></td><td></td><td></td><td>15</td><td></td><td></td><td></td><td></td><td></td><td></td><td></td><td></td><td></td><td>7</td><td>6</td><td>5</td><td>4</td><td>3</td><td></td><td></td><td></td><td></td><td></td><td></td></tr> </table>																																			65	64						59	57	55	53				50	49	48	46									39	37	35	33								73							32		29						24	23	21														15										7	6	5	4	3						
															65	64						59	57	55	53																																																																																																								
			50	49	48	46									39	37	35	33																																																																																																															
73							32		29						24	23	21																																																																																																																
					15										7	6	5	4	3																																																																																																														
AVAILABLE	NOT APPLICABLE	34566-8503	0	B	ST GRY	<table border="1"> <tr><td>72</td><td>71</td><td>70</td><td>69</td><td>68</td><td>67</td><td>66</td><td>65</td><td>64</td><td>63</td><td>62</td><td></td><td></td><td></td><td></td><td>60</td><td>59</td><td></td><td></td><td></td><td></td><td></td><td>55</td><td>54</td><td>53</td></tr> <tr><td>52</td><td></td><td></td><td>49</td><td>48</td><td></td><td></td><td></td><td></td><td>44</td><td>43</td><td>42</td><td></td><td></td><td></td><td>39</td><td></td><td></td><td></td><td></td><td></td><td></td><td>35</td><td>34</td><td>33</td></tr> <tr><td colspan="6">73</td><td></td><td>32</td><td></td><td>29</td><td>27</td><td></td><td></td><td></td><td>24</td><td>23</td><td>21</td><td></td><td></td><td></td><td></td><td></td><td></td><td>19</td><td>18</td><td>17</td></tr> <tr><td></td><td></td><td></td><td></td><td></td><td></td><td></td><td></td><td></td><td>13</td><td>12</td><td>11</td><td></td><td></td><td>9</td><td>8</td><td>7</td><td>6</td><td>5</td><td>4</td><td>3</td><td>2</td><td>1</td><td></td><td></td><td></td></tr> </table>																				72	71	70	69	68	67	66	65	64	63	62					60	59						55	54	53	52			49	48					44	43	42				39							35	34	33	73							32		29	27				24	23	21							19	18	17										13	12	11			9	8	7	6	5	4	3	2	1					
72	71	70	69	68	67	66	65	64	63	62					60	59						55	54	53																																																																																																									
52			49	48					44	43	42				39							35	34	33																																																																																																									
73							32		29	27				24	23	21							19	18	17																																																																																																								
									13	12	11			9	8	7	6	5	4	3	2	1																																																																																																											
AVAILABLE	NOT APPLICABLE	34566-8603	0	A	BLACK	<table border="1"> <tr><td></td><td></td><td></td><td>69</td><td>68</td><td></td><td>66</td><td></td><td></td><td></td><td></td><td></td><td></td><td></td><td></td><td></td><td>59</td><td>57</td><td></td><td></td><td></td><td>55</td><td>53</td><td></td></tr> <tr><td></td><td></td><td></td><td>49</td><td>48</td><td></td><td>46</td><td>44</td><td></td><td></td><td></td><td></td><td></td><td></td><td></td><td>39</td><td>38</td><td>37</td><td></td><td></td><td></td><td>35</td><td>33</td><td></td></tr> <tr><td colspan="6">73</td><td></td><td></td><td></td><td>29</td><td>28</td><td></td><td></td><td></td><td>23</td><td>21</td><td></td><td></td><td></td><td></td><td></td><td></td><td>18</td><td>17</td><td></td></tr> <tr><td></td><td></td><td></td><td></td><td></td><td></td><td></td><td></td><td></td><td>12</td><td>11</td><td>10</td><td></td><td></td><td></td><td>7</td><td></td><td></td><td></td><td></td><td></td><td></td><td></td><td></td><td></td></tr> </table>																							69	68		66										59	57				55	53					49	48		46	44								39	38	37				35	33		73									29	28				23	21							18	17											12	11	10				7															
			69	68		66										59	57				55	53																																																																																																											
			49	48		46	44								39	38	37				35	33																																																																																																											
73									29	28				23	21							18	17																																																																																																										
									12	11	10				7																																																																																																																		
AVAILABLE	NOT APPLICABLE	34566-8703	0	B	ST GRY	<table border="1"> <tr><td></td><td></td><td></td><td>69</td><td>68</td><td></td><td>66</td><td></td><td>64</td><td></td><td></td><td></td><td></td><td></td><td></td><td>59</td><td>57</td><td></td><td></td><td></td><td></td><td>55</td><td>53</td><td></td></tr> <tr><td></td><td></td><td></td><td>50</td><td>49</td><td>48</td><td>47</td><td></td><td></td><td>44</td><td></td><td></td><td></td><td></td><td></td><td>39</td><td>37</td><td></td><td></td><td></td><td></td><td>35</td><td>33</td><td></td></tr> <tr><td colspan="6">73</td><td></td><td></td><td></td><td>29</td><td>28</td><td></td><td></td><td></td><td>23</td><td>21</td><td></td><td></td><td></td><td></td><td></td><td></td><td>17</td><td></td><td></td></tr> <tr><td></td><td></td><td></td><td></td><td></td><td>15</td><td></td><td></td><td>12</td><td>11</td><td>10</td><td></td><td></td><td></td><td>7</td><td>6</td><td>5</td><td>4</td><td>3</td><td></td><td></td><td></td><td></td><td></td><td></td></tr> </table>																							69	68		66		64							59	57					55	53					50	49	48	47			44						39	37					35	33		73									29	28				23	21							17								15			12	11	10				7	6	5	4	3												
			69	68		66		64							59	57					55	53																																																																																																											
			50	49	48	47			44						39	37					35	33																																																																																																											
73									29	28				23	21							17																																																																																																											
					15			12	11	10				7	6	5	4	3																																																																																																															
AVAILABLE	NOT APPLICABLE	34566-8803	0	B	ST GRY	<table border="1"> <tr><td></td><td></td><td></td><td></td><td>68</td><td>67</td><td>66</td><td>65</td><td></td><td></td><td></td><td></td><td></td><td></td><td>59</td><td>58</td><td>57</td><td></td><td></td><td></td><td></td><td></td><td>54</td><td>53</td></tr> <tr><td></td><td>51</td><td>50</td><td>49</td><td>48</td><td></td><td>46</td><td>45</td><td></td><td></td><td>43</td><td>42</td><td></td><td></td><td>40</td><td>39</td><td>38</td><td>37</td><td></td><td></td><td></td><td></td><td></td><td>33</td></tr> <tr><td colspan="6">73</td><td></td><td>32</td><td>31</td><td>30</td><td></td><td></td><td></td><td>26</td><td>24</td><td>23</td><td>22</td><td></td><td>20</td><td></td><td></td><td></td><td></td><td></td><td></td></tr> <tr><td></td><td></td><td></td><td></td><td>16</td><td></td><td></td><td>13</td><td></td><td></td><td>10</td><td>9</td><td>8</td><td>7</td><td>6</td><td>5</td><td>4</td><td></td><td></td><td></td><td></td><td></td><td></td><td></td><td></td></tr> </table>																								68	67	66	65							59	58	57						54	53		51	50	49	48		46	45			43	42			40	39	38	37						33	73							32	31	30				26	24	23	22		20											16			13			10	9	8	7	6	5	4														
				68	67	66	65							59	58	57						54	53																																																																																																										
	51	50	49	48		46	45			43	42			40	39	38	37						33																																																																																																										
73							32	31	30				26	24	23	22		20																																																																																																															
				16			13			10	9	8	7	6	5	4																																																																																																																	
AVAILABLE	NOT APPLICABLE	34566-8903	0	H	ST GRY	<table border="1"> <tr><td></td><td></td><td></td><td>78</td><td></td><td></td><td></td><td></td><td></td><td></td><td></td><td>71</td><td>70</td><td>69</td><td>68</td><td>67</td><td>66</td><td>65</td><td>64</td><td>63</td><td></td><td></td><td></td><td>61</td></tr> <tr><td></td><td></td><td></td><td>58</td><td>57</td><td>56</td><td></td><td></td><td>53</td><td>52</td><td>51</td><td>50</td><td></td><td></td><td></td><td></td><td></td><td></td><td>44</td><td>43</td><td></td><td></td><td></td><td>41</td></tr> <tr><td>40</td><td></td><td></td><td>37</td><td></td><td></td><td>35</td><td>34</td><td>33</td><td>32</td><td>30</td><td>29</td><td></td><td></td><td>27</td><td>26</td><td></td><td></td><td></td><td></td><td></td><td></td><td>22</td><td>21</td></tr> <tr><td>20</td><td>19</td><td>18</td><td>17</td><td>16</td><td></td><td>14</td><td></td><td>12</td><td></td><td>10</td><td>9</td><td>8</td><td>7</td><td>6</td><td>5</td><td></td><td></td><td></td><td></td><td>3</td><td>2</td><td>1</td><td></td></tr> </table>																							78								71	70	69	68	67	66	65	64	63				61				58	57	56			53	52	51	50							44	43				41	40			37			35	34	33	32	30	29			27	26							22	21	20	19	18	17	16		14		12		10	9	8	7	6	5					3	2	1									
			78								71	70	69	68	67	66	65	64	63				61																																																																																																										
			58	57	56			53	52	51	50							44	43				41																																																																																																										
40			37			35	34	33	32	30	29			27	26							22	21																																																																																																										
20	19	18	17	16		14		12		10	9	8	7	6	5					3	2	1																																																																																																											
AVAILABLE	NOT APPLICABLE	34566-9003	0	B	ST GRY	<table border="1"> <tr><td></td><td></td><td></td><td>69</td><td>68</td><td></td><td>66</td><td></td><td></td><td></td><td></td><td></td><td></td><td></td><td></td><td>59</td><td>57</td><td></td><td></td><td></td><td></td><td>55</td><td>53</td><td></td></tr> <tr><td></td><td></td><td></td><td>49</td><td>48</td><td></td><td>46</td><td>44</td><td></td><td></td><td></td><td></td><td></td><td></td><td></td><td>39</td><td>37</td><td></td><td></td><td></td><td></td><td>35</td><td>33</td><td></td></tr> <tr><td colspan="6">73</td><td></td><td></td><td></td><td>29</td><td>28</td><td></td><td></td><td></td><td>23</td><td>21</td><td></td><td></td><td></td><td></td><td></td><td></td><td>18</td><td></td><td></td></tr> <tr><td></td><td></td><td></td><td></td><td></td><td></td><td></td><td></td><td></td><td></td><td>11</td><td>10</td><td></td><td></td><td></td><td>7</td><td></td><td></td><td></td><td></td><td></td><td></td><td></td><td></td><td></td></tr> </table>																							69	68		66									59	57					55	53					49	48		46	44								39	37					35	33		73									29	28				23	21							18													11	10				7															
			69	68		66									59	57					55	53																																																																																																											
			49	48		46	44								39	37					35	33																																																																																																											
73									29	28				23	21							18																																																																																																											
										11	10				7																																																																																																																		
AVAILABLE	NOT APPLICABLE	34566-9103	0	A	BLACK	<table border="1"> <tr><td></td><td></td><td></td><td></td><td>68</td><td></td><td>65</td><td></td><td>63</td><td></td><td>61</td><td></td><td></td><td></td><td>59</td><td>58</td><td></td><td></td><td></td><td></td><td>56</td><td></td><td></td><td>53</td></tr> <tr><td>52</td><td>51</td><td>50</td><td></td><td></td><td>47</td><td></td><td></td><td></td><td></td><td>41</td><td></td><td></td><td></td><td>38</td><td>37</td><td>36</td><td>35</td><td>34</td><td>33</td><td></td><td></td><td></td><td></td></tr> <tr><td colspan="6">73</td><td></td><td>32</td><td>31</td><td>30</td><td>29</td><td>28</td><td>27</td><td></td><td>25</td><td>24</td><td>23</td><td>22</td><td>21</td><td>20</td><td>19</td><td>18</td><td>17</td><td></td><td></td></tr> <tr><td></td><td></td><td></td><td></td><td>16</td><td>15</td><td>14</td><td>13</td><td>12</td><td>11</td><td>10</td><td>9</td><td></td><td></td><td></td><td></td><td></td><td></td><td></td><td></td><td></td><td></td><td></td><td>1</td></tr> </table>																								68		65		63		61				59	58					56			53	52	51	50			47					41				38	37	36	35	34	33					73							32	31	30	29	28	27		25	24	23	22	21	20	19	18	17							16	15	14	13	12	11	10	9												1							
				68		65		63		61				59	58					56			53																																																																																																										
52	51	50			47					41				38	37	36	35	34	33																																																																																																														
73							32	31	30	29	28	27		25	24	23	22	21	20	19	18	17																																																																																																											
				16	15	14	13	12	11	10	9												1																																																																																																										
SEE NEXT PAGE FOR ADDITIONAL NUMBERS																																																																																																																																	

<b>QUALITY SYMBOLS</b>  = 0  = 0  = 0  = 0  = 0  = 0  = 0  = 0	THIS DRAWING CONTAINS INFORMATION THAT IS PROPRIETARY TO MOLEX ELECTRONIC TECHNOLOGIES, LLC AND SHOULD NOT BE USED WITHOUT WRITTEN PERMISSION		<b>GENERAL TOLERANCES (UNLESS SPECIFIED)</b> ANGULAR TOL ± ° 4 PLACES ± 3 PLACES ± 2 PLACES ± 1 PLACE ± 0 PLACES ±	DIMENSION UNITS: <b>MM</b> SCALE: <b>1:1</b> DRWN BY: <b>SKRAJENDRANA</b> DATE: <b>2011/02/14</b> CHKD BY: <b>MVANSLAMBROU</b> DATE: <b>2011/02/14</b> APPR BY: _____ DATE: _____	 <b>MX123</b> <b>66/73/80CKT HRNS CONN ASSY</b> <b>PRODUCT CUSTOMER DRAWING</b>
	EC NO: 115716 DRWN: TYE CHKD: _____ REV: APPR: JDENG02	DRAWING SIZE: <b>D</b> THIRD ANGLE PROJECTION: 			
<b>RELEASE STATUS</b> <b>RELEASE DATE</b>		DOCUMENT NUMBER: <b>SD-34566-001</b> DOC TYPE: <b>PSD</b> DOC PART: <b>000</b> SHEET NUMBER: <b>13 OF 93</b>			

STATUS	GM PART #	MATERIAL #	WIRE DRESS OPTION	KEY OPTION	COLOR (TPA)	NUMBERS INDICATE CAVITIES OPEN FOR CIRCUITS																																																																															
AVAILABLE	NOT APPLICABLE	34566-9203	0	A	BLACK	<table border="1"> <tr><td>72</td><td>71</td><td>70</td><td>69</td><td>68</td><td>67</td><td>66</td><td></td><td>64</td><td>63</td><td>62</td><td></td><td>60</td><td>59</td><td></td><td></td><td>55</td><td>54</td><td>53</td></tr> <tr><td>52</td><td></td><td></td><td>49</td><td>48</td><td></td><td></td><td></td><td>44</td><td>43</td><td>42</td><td></td><td>40</td><td>39</td><td>38</td><td></td><td>35</td><td>34</td><td>33</td></tr> <tr><td colspan="3">73</td><td></td><td></td><td>30</td><td>29</td><td>28</td><td>27</td><td></td><td></td><td>24</td><td>23</td><td></td><td></td><td>19</td><td>18</td><td>17</td></tr> <tr><td></td><td></td><td></td><td>16</td><td></td><td></td><td>13</td><td>12</td><td>11</td><td></td><td>9</td><td>8</td><td>7</td><td>6</td><td>5</td><td>4</td><td>3</td><td>2</td><td>1</td></tr> </table>	72	71	70	69	68	67	66		64	63	62		60	59			55	54	53	52			49	48				44	43	42		40	39	38		35	34	33	73					30	29	28	27			24	23			19	18	17				16			13	12	11		9	8	7	6	5	4	3	2	1				
72	71	70	69	68	67	66		64	63	62		60	59			55	54	53																																																																			
52			49	48				44	43	42		40	39	38		35	34	33																																																																			
73					30	29	28	27			24	23			19	18	17																																																																				
			16			13	12	11		9	8	7	6	5	4	3	2	1																																																																			
AVAILABLE	NOT APPLICABLE	34566-9303	0	A	BLACK	<table border="1"> <tr><td>72</td><td>71</td><td></td><td>69</td><td>68</td><td>67</td><td>66</td><td></td><td>64</td><td>63</td><td>62</td><td></td><td>59</td><td>58</td><td>57</td><td>56</td><td>55</td><td>54</td><td>53</td></tr> <tr><td>52</td><td>51</td><td>50</td><td>49</td><td>48</td><td>47</td><td>46</td><td></td><td>44</td><td>43</td><td>42</td><td></td><td>39</td><td>38</td><td>37</td><td>36</td><td>35</td><td>34</td><td>33</td></tr> <tr><td colspan="3">73</td><td></td><td>32</td><td>31</td><td>30</td><td>29</td><td>27</td><td></td><td></td><td>24</td><td>23</td><td>22</td><td>21</td><td>20</td><td>19</td><td>18</td><td>17</td></tr> <tr><td></td><td></td><td></td><td></td><td>15</td><td>14</td><td>13</td><td>12</td><td>11</td><td></td><td>9</td><td>8</td><td>7</td><td>6</td><td>5</td><td>4</td><td>3</td><td>2</td><td>1</td></tr> </table>	72	71		69	68	67	66		64	63	62		59	58	57	56	55	54	53	52	51	50	49	48	47	46		44	43	42		39	38	37	36	35	34	33	73				32	31	30	29	27			24	23	22	21	20	19	18	17					15	14	13	12	11		9	8	7	6	5	4	3	2	1			
72	71		69	68	67	66		64	63	62		59	58	57	56	55	54	53																																																																			
52	51	50	49	48	47	46		44	43	42		39	38	37	36	35	34	33																																																																			
73				32	31	30	29	27			24	23	22	21	20	19	18	17																																																																			
				15	14	13	12	11		9	8	7	6	5	4	3	2	1																																																																			
AVAILABLE	NOT APPLICABLE	34566-9403	0	B	ST GRY	<table border="1"> <tr><td></td><td></td><td></td><td></td><td>68</td><td>67</td><td>66</td><td>65</td><td></td><td></td><td></td><td></td><td>59</td><td>58</td><td>57</td><td></td><td></td><td>54</td><td>53</td></tr> <tr><td></td><td>51</td><td>50</td><td>49</td><td>48</td><td></td><td>46</td><td>45</td><td></td><td>43</td><td>42</td><td>41</td><td>40</td><td>39</td><td>38</td><td>37</td><td></td><td>35</td><td>33</td></tr> <tr><td colspan="3">73</td><td></td><td>32</td><td>31</td><td>30</td><td></td><td></td><td></td><td>26</td><td>24</td><td>23</td><td>22</td><td></td><td>20</td><td></td><td></td><td></td></tr> <tr><td></td><td></td><td></td><td></td><td>16</td><td></td><td></td><td>13</td><td></td><td></td><td>10</td><td>9</td><td>8</td><td>7</td><td>6</td><td>5</td><td>4</td><td></td><td></td></tr> </table>					68	67	66	65					59	58	57			54	53		51	50	49	48		46	45		43	42	41	40	39	38	37		35	33	73				32	31	30				26	24	23	22		20								16			13			10	9	8	7	6	5	4					
				68	67	66	65					59	58	57			54	53																																																																			
	51	50	49	48		46	45		43	42	41	40	39	38	37		35	33																																																																			
73				32	31	30				26	24	23	22		20																																																																						
				16			13			10	9	8	7	6	5	4																																																																					
AVAILABLE	NOT APPLICABLE	34566-9503	0	A	BLACK	<table border="1"> <tr><td>72</td><td>71</td><td>70</td><td>69</td><td>68</td><td></td><td></td><td>65</td><td>64</td><td>63</td><td></td><td>61</td><td></td><td>59</td><td>58</td><td>57</td><td>56</td><td></td><td></td></tr> <tr><td>52</td><td>51</td><td></td><td>49</td><td></td><td>47</td><td></td><td></td><td></td><td></td><td></td><td>41</td><td></td><td></td><td>38</td><td>37</td><td>36</td><td></td><td>34</td><td>33</td></tr> <tr><td colspan="3">73</td><td></td><td>32</td><td>31</td><td>30</td><td>29</td><td>28</td><td>27</td><td></td><td></td><td>24</td><td>23</td><td></td><td></td><td>20</td><td>19</td><td>18</td><td>17</td></tr> <tr><td></td><td></td><td></td><td></td><td>16</td><td></td><td></td><td>13</td><td>12</td><td>11</td><td>10</td><td>9</td><td></td><td></td><td></td><td></td><td></td><td></td><td></td><td>1</td></tr> </table>	72	71	70	69	68			65	64	63		61		59	58	57	56			52	51		49		47						41			38	37	36		34	33	73				32	31	30	29	28	27			24	23			20	19	18	17					16			13	12	11	10	9								1
72	71	70	69	68			65	64	63		61		59	58	57	56																																																																					
52	51		49		47						41			38	37	36		34	33																																																																		
73				32	31	30	29	28	27			24	23			20	19	18	17																																																																		
				16			13	12	11	10	9								1																																																																		
AVAILABLE	NOT APPLICABLE	34566-9603	0	A	BLACK	<table border="1"> <tr><td></td><td>71</td><td>70</td><td>69</td><td>68</td><td></td><td>66</td><td>65</td><td>64</td><td>63</td><td></td><td>61</td><td></td><td>59</td><td>58</td><td>57</td><td>56</td><td></td><td></td></tr> <tr><td>52</td><td></td><td>50</td><td>49</td><td></td><td>47</td><td></td><td></td><td></td><td></td><td></td><td>41</td><td></td><td></td><td>38</td><td>37</td><td>36</td><td>35</td><td>34</td><td>33</td></tr> <tr><td colspan="3">73</td><td></td><td>32</td><td>31</td><td>30</td><td>29</td><td>28</td><td>27</td><td></td><td></td><td>24</td><td>23</td><td></td><td></td><td>20</td><td>19</td><td>18</td><td>17</td></tr> <tr><td></td><td></td><td></td><td></td><td>16</td><td>15</td><td>14</td><td>13</td><td>12</td><td>11</td><td>10</td><td>9</td><td></td><td></td><td></td><td></td><td></td><td></td><td></td><td>1</td></tr> </table>		71	70	69	68		66	65	64	63		61		59	58	57	56			52		50	49		47						41			38	37	36	35	34	33	73				32	31	30	29	28	27			24	23			20	19	18	17					16	15	14	13	12	11	10	9								1
	71	70	69	68		66	65	64	63		61		59	58	57	56																																																																					
52		50	49		47						41			38	37	36	35	34	33																																																																		
73				32	31	30	29	28	27			24	23			20	19	18	17																																																																		
				16	15	14	13	12	11	10	9								1																																																																		
AVAILABLE	NOT APPLICABLE	34566-9703	0	A	BLACK	<table border="1"> <tr><td>72</td><td>71</td><td>70</td><td>69</td><td>68</td><td></td><td></td><td>65</td><td>64</td><td>63</td><td></td><td>61</td><td></td><td>59</td><td></td><td>57</td><td>56</td><td></td><td></td></tr> <tr><td>52</td><td>51</td><td>50</td><td>49</td><td></td><td>47</td><td></td><td></td><td></td><td></td><td></td><td>41</td><td></td><td></td><td>38</td><td>37</td><td>36</td><td></td><td>34</td><td>33</td></tr> <tr><td colspan="3">73</td><td></td><td>32</td><td>31</td><td>30</td><td>29</td><td>28</td><td>27</td><td></td><td></td><td>24</td><td>23</td><td></td><td></td><td>20</td><td>19</td><td>18</td><td></td></tr> <tr><td></td><td></td><td></td><td></td><td>16</td><td></td><td></td><td>13</td><td>12</td><td>11</td><td>10</td><td>9</td><td></td><td></td><td></td><td></td><td>3</td><td>2</td><td>1</td><td></td></tr> </table>	72	71	70	69	68			65	64	63		61		59		57	56			52	51	50	49		47						41			38	37	36		34	33	73				32	31	30	29	28	27			24	23			20	19	18						16			13	12	11	10	9					3	2	1	
72	71	70	69	68			65	64	63		61		59		57	56																																																																					
52	51	50	49		47						41			38	37	36		34	33																																																																		
73				32	31	30	29	28	27			24	23			20	19	18																																																																			
				16			13	12	11	10	9					3	2	1																																																																			
AVAILABLE	NOT APPLICABLE	34566-9803	0	A	BLACK	<table border="1"> <tr><td>72</td><td>71</td><td>70</td><td>69</td><td>68</td><td></td><td></td><td>65</td><td>64</td><td>63</td><td></td><td>61</td><td></td><td>59</td><td></td><td>57</td><td>56</td><td></td><td></td></tr> <tr><td>52</td><td>51</td><td>50</td><td>49</td><td></td><td>47</td><td></td><td></td><td></td><td></td><td></td><td>41</td><td></td><td></td><td>38</td><td>37</td><td>36</td><td></td><td>34</td><td>33</td></tr> <tr><td colspan="3">73</td><td></td><td>32</td><td>31</td><td>30</td><td>29</td><td>28</td><td>27</td><td></td><td></td><td>24</td><td>23</td><td></td><td></td><td>20</td><td>19</td><td>18</td><td></td></tr> <tr><td></td><td></td><td></td><td></td><td>16</td><td></td><td></td><td>13</td><td>12</td><td>11</td><td>10</td><td>9</td><td></td><td></td><td></td><td></td><td></td><td></td><td></td><td>1</td></tr> </table>	72	71	70	69	68			65	64	63		61		59		57	56			52	51	50	49		47						41			38	37	36		34	33	73				32	31	30	29	28	27			24	23			20	19	18						16			13	12	11	10	9								1
72	71	70	69	68			65	64	63		61		59		57	56																																																																					
52	51	50	49		47						41			38	37	36		34	33																																																																		
73				32	31	30	29	28	27			24	23			20	19	18																																																																			
				16			13	12	11	10	9								1																																																																		
AVAILABLE	NOT APPLICABLE	34566-9903	0	A	BLACK	<table border="1"> <tr><td></td><td>71</td><td></td><td>69</td><td>68</td><td></td><td></td><td>65</td><td>64</td><td>63</td><td></td><td>61</td><td></td><td>59</td><td>58</td><td>57</td><td>56</td><td></td><td></td></tr> <tr><td>52</td><td></td><td>50</td><td>49</td><td></td><td>47</td><td></td><td></td><td></td><td></td><td></td><td>41</td><td></td><td></td><td>38</td><td>37</td><td>36</td><td></td><td>34</td><td>33</td></tr> <tr><td colspan="3">73</td><td></td><td>32</td><td>31</td><td>30</td><td>29</td><td>28</td><td>27</td><td></td><td></td><td>24</td><td>23</td><td></td><td></td><td>20</td><td>19</td><td>18</td><td>17</td></tr> <tr><td></td><td></td><td></td><td></td><td>16</td><td></td><td></td><td>13</td><td>12</td><td>11</td><td>10</td><td>9</td><td></td><td></td><td></td><td></td><td></td><td></td><td></td><td>1</td></tr> </table>		71		69	68			65	64	63		61		59	58	57	56			52		50	49		47						41			38	37	36		34	33	73				32	31	30	29	28	27			24	23			20	19	18	17					16			13	12	11	10	9								1
	71		69	68			65	64	63		61		59	58	57	56																																																																					
52		50	49		47						41			38	37	36		34	33																																																																		
73				32	31	30	29	28	27			24	23			20	19	18	17																																																																		
				16			13	12	11	10	9								1																																																																		

SEE NEXT PAGE FOR ADDITIONAL NUMBERS

<b>QUALITY SYMBOLS</b> = 0 = 0 = 0 = 0 = 0 = 0 = 0 = 0 = 0	THIS DRAWING CONTAINS INFORMATION THAT IS PROPRIETARY TO MOLEX ELECTRONIC TECHNOLOGIES, LLC AND SHOULD NOT BE USED WITHOUT WRITTEN PERMISSION		DIMENSION UNITS <b>MM</b>	SCALE <b>1:1</b>															
	EC NO: 115716 DRWN: TYE CHKD: JDENG02 REV: APPR: JDENG02	2017/04/12 2017/04/21	GENERAL TOLERANCES (UNLESS SPECIFIED) ANGULAR TOL ± ° 4 PLACES ± 3 PLACES ± 2 PLACES ± 1 PLACE ± 0 PLACES ± DRAFT WHERE APPLICABLE MUST REMAIN WITHIN DIMENSIONS	DRWN BY: SKRAJENDRANA DATE: 2011/02/14 CHKD BY: MVANSLAMBROU DATE: 2011/02/14 APPR BY:		PRODUCT CUSTOMER DRAWING SERIES: 34566 MATERIAL NUMBER: SEE BOM TABLE CUSTOMER: GENERAL MARKET													
RELEASE STATUS 19	RELEASE DATE 18	17	16	15	14	13	12	11	10	9	8	7	6	5	4	3	2	1	DOCUMENT NUMBER: SD-34566-001 DOC TYPE: PSD DOC PART: 000 SHEET NUMBER: 14 OF 93

STATUS	GM PART #	MATERIAL #	WIRE DRESS OPTION	KEY OPTION	COLOR (TPA)	NUMBERS INDICATE CAVITIES OPEN FOR CIRCUITS																																																																																	
AVAILABLE	NOT APPLICABLE	34566-1013	0	A	BLACK	<table border="1"> <tr><td></td><td>71</td><td></td><td>69</td><td>68</td><td></td><td></td><td>65</td><td>64</td><td>63</td><td>61</td><td></td><td>59</td><td>58</td><td>57</td><td>56</td><td></td><td></td><td></td></tr> <tr><td>52</td><td></td><td>50</td><td>49</td><td></td><td>47</td><td></td><td></td><td></td><td></td><td>41</td><td></td><td></td><td>38</td><td>37</td><td>36</td><td></td><td>34</td><td>33</td></tr> <tr><td colspan="2">73</td><td></td><td></td><td>32</td><td>31</td><td>30</td><td>29</td><td>28</td><td>27</td><td></td><td></td><td>24</td><td>23</td><td></td><td></td><td>20</td><td>19</td><td>18</td><td>17</td></tr> <tr><td colspan="2"></td><td></td><td></td><td>16</td><td></td><td></td><td>13</td><td>12</td><td>11</td><td>10</td><td>9</td><td></td><td></td><td></td><td></td><td>3</td><td>2</td><td>1</td><td></td></tr> </table>		71		69	68			65	64	63	61		59	58	57	56				52		50	49		47					41			38	37	36		34	33	73				32	31	30	29	28	27			24	23			20	19	18	17					16			13	12	11	10	9					3	2	1				
	71		69	68			65	64	63	61		59	58	57	56																																																																								
52		50	49		47					41			38	37	36		34	33																																																																					
73				32	31	30	29	28	27			24	23			20	19	18	17																																																																				
				16			13	12	11	10	9					3	2	1																																																																					
AVAILABLE	NOT APPLICABLE	34566-1023	0	A	BLACK	<table border="1"> <tr><td></td><td></td><td>70</td><td></td><td></td><td>67</td><td>66</td><td>65</td><td></td><td></td><td></td><td></td><td></td><td>58</td><td>57</td><td></td><td>55</td><td>54</td><td></td></tr> <tr><td></td><td></td><td>50</td><td>49</td><td></td><td>47</td><td></td><td></td><td>44</td><td>43</td><td>42</td><td>41</td><td></td><td>39</td><td></td><td>37</td><td></td><td>35</td><td></td></tr> <tr><td colspan="2">73</td><td></td><td></td><td>32</td><td></td><td>30</td><td></td><td></td><td>27</td><td>25</td><td>24</td><td></td><td></td><td>21</td><td>20</td><td>19</td><td>18</td><td>17</td></tr> <tr><td colspan="2"></td><td></td><td></td><td>16</td><td>15</td><td></td><td>13</td><td></td><td></td><td>10</td><td>9</td><td>8</td><td></td><td>6</td><td>5</td><td></td><td>3</td><td>2</td><td>1</td></tr> </table>			70			67	66	65						58	57		55	54				50	49		47			44	43	42	41		39		37		35		73				32		30			27	25	24			21	20	19	18	17					16	15		13			10	9	8		6	5		3	2	1				
		70			67	66	65						58	57		55	54																																																																						
		50	49		47			44	43	42	41		39		37		35																																																																						
73				32		30			27	25	24			21	20	19	18	17																																																																					
				16	15		13			10	9	8		6	5		3	2	1																																																																				
AVAILABLE	NOT APPLICABLE	34566-1033	0	A	BLACK	<table border="1"> <tr><td>72</td><td></td><td>70</td><td></td><td></td><td>67</td><td>66</td><td>65</td><td></td><td></td><td></td><td></td><td></td><td>58</td><td>57</td><td></td><td>55</td><td>54</td><td></td></tr> <tr><td></td><td></td><td>50</td><td>49</td><td></td><td>47</td><td></td><td></td><td>44</td><td>43</td><td>42</td><td>41</td><td></td><td>39</td><td></td><td>37</td><td></td><td>35</td><td></td></tr> <tr><td colspan="2">73</td><td></td><td></td><td>32</td><td></td><td>30</td><td></td><td></td><td>27</td><td>26</td><td>25</td><td>24</td><td></td><td></td><td>21</td><td>20</td><td>19</td><td>18</td><td>17</td></tr> <tr><td colspan="2"></td><td></td><td></td><td>16</td><td>15</td><td></td><td>13</td><td></td><td></td><td>10</td><td>9</td><td>8</td><td></td><td>6</td><td>5</td><td></td><td>3</td><td>2</td><td>1</td></tr> </table>	72		70			67	66	65						58	57		55	54				50	49		47			44	43	42	41		39		37		35		73				32		30			27	26	25	24			21	20	19	18	17					16	15		13			10	9	8		6	5		3	2	1			
72		70			67	66	65						58	57		55	54																																																																						
		50	49		47			44	43	42	41		39		37		35																																																																						
73				32		30			27	26	25	24			21	20	19	18	17																																																																				
				16	15		13			10	9	8		6	5		3	2	1																																																																				
AVAILABLE	NOT APPLICABLE	34566-1043	0	B	ST GRAY	<table border="1"> <tr><td></td><td>71</td><td>70</td><td></td><td>68</td><td></td><td>66</td><td>65</td><td></td><td></td><td></td><td></td><td>59</td><td>58</td><td>57</td><td></td><td></td><td>54</td><td>53</td></tr> <tr><td></td><td>51</td><td>50</td><td>49</td><td>48</td><td></td><td>46</td><td>45</td><td></td><td>43</td><td></td><td>41</td><td>40</td><td>39</td><td>38</td><td>37</td><td>36</td><td>35</td><td></td><td>33</td></tr> <tr><td colspan="2">73</td><td></td><td></td><td>32</td><td>31</td><td>30</td><td></td><td></td><td></td><td></td><td></td><td>24</td><td>23</td><td>22</td><td></td><td>20</td><td></td><td></td><td></td></tr> <tr><td colspan="2"></td><td></td><td></td><td>16</td><td></td><td></td><td>13</td><td>12</td><td>11</td><td>10</td><td>9</td><td>8</td><td>7</td><td>6</td><td>5</td><td>4</td><td></td><td></td><td></td></tr> </table>		71	70		68		66	65					59	58	57			54	53		51	50	49	48		46	45		43		41	40	39	38	37	36	35		33	73				32	31	30						24	23	22		20								16			13	12	11	10	9	8	7	6	5	4					
	71	70		68		66	65					59	58	57			54	53																																																																					
	51	50	49	48		46	45		43		41	40	39	38	37	36	35		33																																																																				
73				32	31	30						24	23	22		20																																																																							
				16			13	12	11	10	9	8	7	6	5	4																																																																							
AVAILABLE	NOT APPLICABLE	34566-1053	0	H	ST GRAY	<table border="1"> <tr><td></td><td>79</td><td>78</td><td>77</td><td>76</td><td>75</td><td>74</td><td>73</td><td>72</td><td>71</td><td>70</td><td>69</td><td>68</td><td></td><td>66</td><td>65</td><td>64</td><td>63</td><td></td><td>61</td></tr> <tr><td>60</td><td>59</td><td>58</td><td>57</td><td>56</td><td></td><td></td><td>53</td><td>52</td><td></td><td>50</td><td></td><td></td><td></td><td></td><td></td><td>44</td><td>43</td><td></td><td>41</td></tr> <tr><td>40</td><td>39</td><td>38</td><td>37</td><td></td><td>35</td><td>34</td><td>33</td><td>32</td><td></td><td>30</td><td>29</td><td></td><td>27</td><td>26</td><td></td><td></td><td></td><td>22</td><td>21</td></tr> <tr><td>20</td><td>19</td><td>18</td><td>17</td><td>16</td><td></td><td>14</td><td>13</td><td>12</td><td>11</td><td></td><td>9</td><td>8</td><td></td><td>6</td><td>5</td><td></td><td>3</td><td>2</td><td></td></tr> </table>		79	78	77	76	75	74	73	72	71	70	69	68		66	65	64	63		61	60	59	58	57	56			53	52		50						44	43		41	40	39	38	37		35	34	33	32		30	29		27	26				22	21	20	19	18	17	16		14	13	12	11		9	8		6	5		3	2		
	79	78	77	76	75	74	73	72	71	70	69	68		66	65	64	63		61																																																																				
60	59	58	57	56			53	52		50						44	43		41																																																																				
40	39	38	37		35	34	33	32		30	29		27	26				22	21																																																																				
20	19	18	17	16		14	13	12	11		9	8		6	5		3	2																																																																					
AVAILABLE	NOT APPLICABLE	34566-1063	0	B	ST GRAY	<table border="1"> <tr><td></td><td></td><td></td><td></td><td></td><td></td><td></td><td>65</td><td></td><td></td><td></td><td></td><td>60</td><td>59</td><td></td><td>57</td><td>56</td><td>55</td><td></td><td>53</td></tr> <tr><td></td><td></td><td></td><td>49</td><td>48</td><td>47</td><td></td><td></td><td>44</td><td></td><td></td><td></td><td>40</td><td>39</td><td></td><td>37</td><td>36</td><td>35</td><td></td><td>33</td></tr> <tr><td colspan="2">73</td><td></td><td></td><td></td><td></td><td></td><td>29</td><td>28</td><td></td><td></td><td></td><td>24</td><td>23</td><td></td><td>21</td><td></td><td></td><td></td><td></td></tr> <tr><td colspan="2"></td><td></td><td></td><td></td><td></td><td></td><td></td><td></td><td></td><td></td><td></td><td></td><td></td><td></td><td></td><td></td><td></td><td></td><td>2</td></tr> </table>								65					60	59		57	56	55		53				49	48	47			44				40	39		37	36	35		33	73							29	28				24	23		21																								2	
							65					60	59		57	56	55		53																																																																				
			49	48	47			44				40	39		37	36	35		33																																																																				
73							29	28				24	23		21																																																																								
																			2																																																																				
AVAILABLE	NOT APPLICABLE	34566-1073	0	A	BLACK	<table border="1"> <tr><td>72</td><td>71</td><td>70</td><td>69</td><td>68</td><td>67</td><td>66</td><td>65</td><td>64</td><td>63</td><td></td><td>61</td><td></td><td>59</td><td>58</td><td>57</td><td>56</td><td></td><td>54</td><td></td></tr> <tr><td></td><td></td><td>50</td><td>49</td><td>48</td><td>47</td><td></td><td></td><td></td><td></td><td></td><td>42</td><td>41</td><td></td><td></td><td>38</td><td>37</td><td>36</td><td></td><td>34</td><td>33</td></tr> <tr><td colspan="2">73</td><td></td><td></td><td>32</td><td>31</td><td>30</td><td>29</td><td>28</td><td>27</td><td>26</td><td></td><td>24</td><td>23</td><td></td><td></td><td>20</td><td>19</td><td>18</td><td></td></tr> <tr><td colspan="2"></td><td></td><td></td><td>16</td><td></td><td></td><td>13</td><td>12</td><td>11</td><td>10</td><td>9</td><td></td><td></td><td></td><td></td><td></td><td></td><td></td><td></td></tr> </table>	72	71	70	69	68	67	66	65	64	63		61		59	58	57	56		54				50	49	48	47						42	41			38	37	36		34	33	73				32	31	30	29	28	27	26		24	23			20	19	18						16			13	12	11	10	9								
72	71	70	69	68	67	66	65	64	63		61		59	58	57	56		54																																																																					
		50	49	48	47						42	41			38	37	36		34	33																																																																			
73				32	31	30	29	28	27	26		24	23			20	19	18																																																																					
				16			13	12	11	10	9																																																																												
AVAILABLE	NOT APPLICABLE	34566-1083	0	B	ST GRAY	<table border="1"> <tr><td></td><td></td><td></td><td></td><td>68</td><td>67</td><td>66</td><td>65</td><td>64</td><td></td><td></td><td></td><td></td><td>59</td><td>58</td><td>57</td><td></td><td>55</td><td>54</td><td>53</td></tr> <tr><td></td><td>51</td><td>50</td><td>49</td><td>48</td><td></td><td>46</td><td>45</td><td></td><td>43</td><td>42</td><td>41</td><td>40</td><td>39</td><td>38</td><td>37</td><td></td><td>35</td><td></td><td>33</td></tr> <tr><td colspan="2">73</td><td></td><td></td><td>32</td><td>31</td><td>30</td><td></td><td></td><td></td><td>26</td><td></td><td>24</td><td>23</td><td>22</td><td></td><td>20</td><td></td><td></td><td></td></tr> <tr><td colspan="2"></td><td></td><td></td><td>16</td><td></td><td></td><td>13</td><td></td><td></td><td>10</td><td>9</td><td>8</td><td>7</td><td>6</td><td>5</td><td>4</td><td>3</td><td>2</td><td></td></tr> </table>					68	67	66	65	64					59	58	57		55	54	53		51	50	49	48		46	45		43	42	41	40	39	38	37		35		33	73				32	31	30				26		24	23	22		20								16			13			10	9	8	7	6	5	4	3	2		
				68	67	66	65	64					59	58	57		55	54	53																																																																				
	51	50	49	48		46	45		43	42	41	40	39	38	37		35		33																																																																				
73				32	31	30				26		24	23	22		20																																																																							
				16			13			10	9	8	7	6	5	4	3	2																																																																					

SEE NEXT PAGE FOR ADDITIONAL NUMBERS

<b>QUALITY SYMBOLS</b> 	THIS DRAWING CONTAINS INFORMATION THAT IS PROPRIETARY TO MOLEX ELECTRONIC TECHNOLOGIES, LLC AND SHOULD NOT BE USED WITHOUT WRITTEN PERMISSION									
	EC NO: 115716 DRWN: TYE CHKD: REV APPR: JDENG02	2017/04/12 2017/04/21	GENERAL TOLERANCES (UNLESS SPECIFIED)		DIMENSION UNITS	SCALE				
			ANGULAR TOL ± °		MM	1:1				
			4 PLACES ±	SKRAJENDRANA	DATE	2011/02/14				
			3 PLACES ±	CHKD BY	DATE	2011/02/14				
			2 PLACES ±	APPR BY	DATE					
	1 PLACE ±	DRAWING SIZE		THIRD ANGLE PROJECTION		PRODUCT CUSTOMER DRAWING				
	0 PLACES ±	DRAFT WHERE APPLICABLE MUST REMAIN WITHIN DIMENSIONS		D		SERIES: 34566 MATERIAL NUMBER: SEE BOM TABLE CUSTOMER: GENERAL MARKET				
	DOCUMENT NUMBER		DOC TYPE	DOC PART	SHEET NUMBER		15 OF 93			
	SD-34566-001		PSD	000						

STATUS	GM PART #	MATERIAL #	WIRE DRESS OPTION	KEY OPTION	COLOR (TPA)	NUMBERS INDICATE CAVITIES OPEN FOR CIRCUITS																																																																																		
AVAILABLE	NOT APPLICABLE	34566-1093	0	A	BLACK	<table border="1"> <tr><td></td><td></td><td>70</td><td></td><td>68</td><td>67</td><td>66</td><td></td><td></td><td></td><td></td><td></td><td></td><td></td><td></td><td>58</td><td></td><td>56</td><td>55</td><td>54</td><td></td></tr> <tr><td></td><td></td><td></td><td>49</td><td></td><td>47</td><td></td><td></td><td>44</td><td>43</td><td>42</td><td>41</td><td></td><td></td><td>39</td><td></td><td>37</td><td>36</td><td></td><td>34</td><td></td></tr> <tr><td></td><td></td><td>73</td><td></td><td></td><td>31</td><td>30</td><td></td><td></td><td>27</td><td></td><td>25</td><td>24</td><td></td><td></td><td>21</td><td>20</td><td>19</td><td>18</td><td></td></tr> <tr><td></td><td></td><td></td><td></td><td></td><td></td><td></td><td>13</td><td></td><td></td><td></td><td></td><td></td><td></td><td></td><td>6</td><td>5</td><td>4</td><td>3</td><td>1</td></tr> </table>			70		68	67	66									58		56	55	54					49		47			44	43	42	41			39		37	36		34				73			31	30			27		25	24			21	20	19	18									13								6	5	4	3	1
		70		68	67	66									58		56	55	54																																																																					
			49		47			44	43	42	41			39		37	36		34																																																																					
		73			31	30			27		25	24			21	20	19	18																																																																						
							13								6	5	4	3	1																																																																					
AVAILABLE	NOT APPLICABLE	34566-1123	0	H	ST GRY	<table border="1"> <tr><td></td><td></td><td>78</td><td></td><td></td><td></td><td></td><td></td><td>72</td><td>71</td><td>70</td><td>69</td><td>68</td><td>67</td><td>66</td><td>65</td><td>64</td><td>63</td><td>61</td><td></td></tr> <tr><td></td><td></td><td>58</td><td>57</td><td>56</td><td></td><td></td><td>53</td><td>52</td><td>51</td><td>50</td><td></td><td></td><td></td><td></td><td></td><td>44</td><td>43</td><td></td><td>41</td></tr> <tr><td>40</td><td></td><td></td><td>37</td><td></td><td>35</td><td>34</td><td>33</td><td>32</td><td></td><td>30</td><td>29</td><td></td><td>27</td><td>26</td><td></td><td></td><td></td><td>22</td><td>21</td></tr> <tr><td>20</td><td>19</td><td>18</td><td>17</td><td>16</td><td></td><td>14</td><td></td><td>12</td><td></td><td>10</td><td>9</td><td>8</td><td>7</td><td>6</td><td>5</td><td></td><td>3</td><td>2</td><td>1</td></tr> </table>			78						72	71	70	69	68	67	66	65	64	63	61				58	57	56			53	52	51	50						44	43		41	40			37		35	34	33	32		30	29		27	26				22	21	20	19	18	17	16		14		12		10	9	8	7	6	5		3	2	1		
		78						72	71	70	69	68	67	66	65	64	63	61																																																																						
		58	57	56			53	52	51	50						44	43		41																																																																					
40			37		35	34	33	32		30	29		27	26				22	21																																																																					
20	19	18	17	16		14		12		10	9	8	7	6	5		3	2	1																																																																					
AVAILABLE	NOT APPLICABLE	34566-1133	0	A	BLACK	<table border="1"> <tr><td></td><td></td><td>70</td><td></td><td>68</td><td>67</td><td>66</td><td></td><td></td><td></td><td></td><td></td><td></td><td></td><td></td><td>58</td><td>57</td><td></td><td>55</td><td>54</td></tr> <tr><td></td><td></td><td></td><td>49</td><td></td><td>47</td><td></td><td>45</td><td>44</td><td>43</td><td>42</td><td>41</td><td></td><td>39</td><td></td><td>37</td><td></td><td></td><td></td><td>34</td></tr> <tr><td></td><td></td><td>73</td><td></td><td></td><td>32</td><td></td><td>30</td><td></td><td></td><td>27</td><td></td><td>25</td><td>24</td><td></td><td>21</td><td>20</td><td>19</td><td>18</td><td></td></tr> <tr><td></td><td></td><td></td><td></td><td></td><td></td><td></td><td>13</td><td></td><td>11</td><td></td><td></td><td></td><td></td><td>6</td><td>5</td><td></td><td>3</td><td></td><td>1</td></tr> </table>			70		68	67	66									58	57		55	54				49		47		45	44	43	42	41		39		37				34			73			32		30			27		25	24		21	20	19	18									13		11					6	5		3		1		
		70		68	67	66									58	57		55	54																																																																					
			49		47		45	44	43	42	41		39		37				34																																																																					
		73			32		30			27		25	24		21	20	19	18																																																																						
							13		11					6	5		3		1																																																																					
AVAILABLE	NOT APPLICABLE	34566-1143	0	A	BLACK	<table border="1"> <tr><td></td><td></td><td></td><td></td><td>68</td><td></td><td></td><td>65</td><td>63</td><td>61</td><td></td><td>59</td><td>58</td><td></td><td>56</td><td></td><td></td><td></td><td>53</td><td></td></tr> <tr><td>52</td><td></td><td>50</td><td></td><td></td><td>47</td><td></td><td></td><td></td><td>41</td><td></td><td></td><td>38</td><td>37</td><td>36</td><td>35</td><td>34</td><td>33</td><td></td><td></td></tr> <tr><td></td><td></td><td>73</td><td></td><td></td><td>32</td><td>31</td><td>30</td><td>29</td><td>28</td><td>27</td><td></td><td>25</td><td>24</td><td>23</td><td>22</td><td>21</td><td>20</td><td>19</td><td>18</td></tr> <tr><td></td><td></td><td></td><td></td><td></td><td>16</td><td>15</td><td>14</td><td>13</td><td>12</td><td>11</td><td>10</td><td>9</td><td></td><td></td><td></td><td></td><td></td><td></td><td>1</td></tr> </table>					68			65	63	61		59	58		56				53		52		50			47				41			38	37	36	35	34	33					73			32	31	30	29	28	27		25	24	23	22	21	20	19	18						16	15	14	13	12	11	10	9							1		
				68			65	63	61		59	58		56				53																																																																						
52		50			47				41			38	37	36	35	34	33																																																																							
		73			32	31	30	29	28	27		25	24	23	22	21	20	19	18																																																																					
					16	15	14	13	12	11	10	9							1																																																																					
AVAILABLE	NOT APPLICABLE	34566-1153	0	A	BLACK	<table border="1"> <tr><td></td><td></td><td>70</td><td></td><td></td><td>67</td><td>66</td><td>65</td><td></td><td></td><td></td><td></td><td></td><td></td><td></td><td>58</td><td>57</td><td></td><td>55</td><td></td></tr> <tr><td></td><td></td><td></td><td>49</td><td></td><td>47</td><td></td><td></td><td>44</td><td>43</td><td>42</td><td>41</td><td></td><td>39</td><td></td><td>37</td><td></td><td></td><td></td><td></td></tr> <tr><td></td><td></td><td>73</td><td></td><td></td><td>32</td><td></td><td>30</td><td></td><td></td><td>27</td><td></td><td>25</td><td>24</td><td>23</td><td></td><td>21</td><td>20</td><td>19</td><td>18</td></tr> <tr><td></td><td></td><td></td><td></td><td></td><td></td><td></td><td>13</td><td></td><td></td><td></td><td></td><td>8</td><td></td><td></td><td>6</td><td>5</td><td></td><td>3</td><td>1</td></tr> </table>			70			67	66	65								58	57		55					49		47			44	43	42	41		39		37							73			32		30			27		25	24	23		21	20	19	18								13					8			6	5		3	1		
		70			67	66	65								58	57		55																																																																						
			49		47			44	43	42	41		39		37																																																																									
		73			32		30			27		25	24	23		21	20	19	18																																																																					
							13					8			6	5		3	1																																																																					
AVAILABLE	NOT APPLICABLE	34566-1163	0	H	ST GRY	<table border="1"> <tr><td></td><td></td><td>78</td><td></td><td></td><td></td><td></td><td></td><td>72</td><td>71</td><td>70</td><td>69</td><td>68</td><td></td><td>66</td><td>65</td><td>64</td><td>63</td><td>61</td><td></td></tr> <tr><td>60</td><td>59</td><td>58</td><td>57</td><td>56</td><td></td><td></td><td>53</td><td>52</td><td></td><td>50</td><td></td><td></td><td></td><td></td><td></td><td>44</td><td>43</td><td></td><td>41</td></tr> <tr><td>40</td><td></td><td></td><td>37</td><td></td><td>35</td><td>34</td><td></td><td>32</td><td></td><td>30</td><td>29</td><td></td><td>27</td><td>26</td><td></td><td></td><td></td><td>22</td><td>21</td></tr> <tr><td>20</td><td>19</td><td>18</td><td>17</td><td>16</td><td></td><td></td><td>13</td><td>12</td><td></td><td></td><td></td><td>8</td><td></td><td>6</td><td>5</td><td></td><td>3</td><td>2</td><td>1</td></tr> </table>			78						72	71	70	69	68		66	65	64	63	61		60	59	58	57	56			53	52		50						44	43		41	40			37		35	34		32		30	29		27	26				22	21	20	19	18	17	16			13	12				8		6	5		3	2	1		
		78						72	71	70	69	68		66	65	64	63	61																																																																						
60	59	58	57	56			53	52		50						44	43		41																																																																					
40			37		35	34		32		30	29		27	26				22	21																																																																					
20	19	18	17	16			13	12				8		6	5		3	2	1																																																																					
AVAILABLE	NOT APPLICABLE	34566-1173	0	A	BLACK	<table border="1"> <tr><td>72</td><td>71</td><td></td><td>69</td><td>68</td><td></td><td></td><td>65</td><td>64</td><td>63</td><td>62</td><td>61</td><td>60</td><td>59</td><td>58</td><td></td><td>56</td><td></td><td>54</td><td></td></tr> <tr><td>52</td><td></td><td>50</td><td>49</td><td>48</td><td>47</td><td></td><td>45</td><td></td><td></td><td>42</td><td>41</td><td></td><td></td><td>38</td><td>37</td><td>36</td><td></td><td>34</td><td>33</td></tr> <tr><td></td><td></td><td>73</td><td></td><td></td><td>32</td><td>31</td><td>30</td><td>29</td><td>28</td><td>27</td><td>26</td><td></td><td>24</td><td>23</td><td></td><td>20</td><td>19</td><td>18</td><td>17</td></tr> <tr><td></td><td></td><td></td><td></td><td></td><td>16</td><td></td><td></td><td>13</td><td>12</td><td>11</td><td>10</td><td>9</td><td></td><td></td><td></td><td></td><td></td><td></td><td></td></tr> </table>	72	71		69	68			65	64	63	62	61	60	59	58		56		54		52		50	49	48	47		45			42	41			38	37	36		34	33			73			32	31	30	29	28	27	26		24	23		20	19	18	17						16			13	12	11	10	9									
72	71		69	68			65	64	63	62	61	60	59	58		56		54																																																																						
52		50	49	48	47		45			42	41			38	37	36		34	33																																																																					
		73			32	31	30	29	28	27	26		24	23		20	19	18	17																																																																					
					16			13	12	11	10	9																																																																												
AVAILABLE	NOT APPLICABLE	34566-1183	0	B	ST GRY	<table border="1"> <tr><td></td><td></td><td></td><td></td><td></td><td></td><td>66</td><td>65</td><td>64</td><td></td><td>62</td><td></td><td></td><td>59</td><td>57</td><td></td><td>55</td><td>53</td><td></td><td></td></tr> <tr><td></td><td></td><td></td><td>49</td><td>48</td><td>47</td><td></td><td></td><td>44</td><td>42</td><td></td><td></td><td></td><td>39</td><td>37</td><td></td><td>35</td><td>33</td><td></td><td></td></tr> <tr><td></td><td></td><td></td><td></td><td></td><td></td><td></td><td>29</td><td>28</td><td></td><td></td><td></td><td></td><td>23</td><td>21</td><td></td><td></td><td></td><td></td><td>17</td></tr> <tr><td></td><td></td><td></td><td></td><td></td><td></td><td></td><td></td><td>12</td><td></td><td></td><td>9</td><td>7</td><td></td><td></td><td></td><td></td><td></td><td></td><td></td></tr> </table>							66	65	64		62			59	57		55	53						49	48	47			44	42				39	37		35	33										29	28					23	21					17									12			9	7									
						66	65	64		62			59	57		55	53																																																																							
			49	48	47			44	42				39	37		35	33																																																																							
							29	28					23	21					17																																																																					
								12			9	7																																																																												

<b>QUALITY SYMBOLS</b> = 0 = 0 = 0 = 0 = 0 = 0 = 0 = 0 = 0	THIS DRAWING CONTAINS INFORMATION THAT IS PROPRIETARY TO MOLEX ELECTRONIC TECHNOLOGIES, LLC AND SHOULD NOT BE USED WITHOUT WRITTEN PERMISSION										
	2017/04/12	2017/04/21	GENERAL TOLERANCES (UNLESS SPECIFIED)		DIMENSION UNITS	SCALE					
	DRWN: TYE	CHKD: JDENG02	ANGULAR TOL ± °		MM	1:1					
	EC NO: 115716	REV: APPR: JDENG02	4 PLACES ±	SKRAJENDRANA	DATE	2011/02/14					
			3 PLACES ±	CHKD BY	DATE						
			2 PLACES ±	MVANSLAMBROU	DATE	2011/02/14					
			1 PLACE ±	APPR BY	DATE						
			0 PLACES ±	DRAWING SIZE							THIRD ANGLE PROJECTION
			DRAFT WHERE APPLICABLE MUST REMAIN WITHIN DIMENSIONS			D					
			SERIES		MATERIAL NUMBER	CUSTOMER					
		34566		SEE BOM TABLE	GENERAL MARKET						
		DOCUMENT NUMBER		DOC TYPE	DOC PART	SHEET NUMBER					
		SD-34566-001		PSD	000	16 OF 93					


STATUS	GM PART #	MATERIAL #	WIRE DRESS OPTION	KEY OPTION	COLOR (TPA)	NUMBERS INDICATE CAVITIES OPEN FOR CIRCUITS																																																																																
AVAILABLE	NOT APPLICABLE	34566-1193	0	A	BLACK	<table border="1"> <tr><td>72</td><td>71</td><td></td><td>69</td><td>68</td><td>67</td><td>66</td><td></td><td>64</td><td>63</td><td>62</td><td></td><td>60</td><td>59</td><td></td><td></td><td></td><td></td><td>54</td><td>53</td></tr> <tr><td>52</td><td></td><td></td><td>49</td><td>48</td><td></td><td>46</td><td></td><td>44</td><td>43</td><td>42</td><td></td><td></td><td>39</td><td></td><td></td><td></td><td></td><td>34</td><td>33</td></tr> <tr><td></td><td></td><td>73</td><td></td><td>32</td><td></td><td></td><td>29</td><td>27</td><td></td><td></td><td></td><td></td><td>23</td><td></td><td></td><td></td><td></td><td></td><td>17</td></tr> <tr><td></td><td></td><td></td><td></td><td></td><td></td><td>14</td><td>13</td><td>12</td><td>11</td><td></td><td>9</td><td>8</td><td>7</td><td>6</td><td>5</td><td>4</td><td>3</td><td>2</td><td>1</td></tr> </table>	72	71		69	68	67	66		64	63	62		60	59					54	53	52			49	48		46		44	43	42			39					34	33			73		32			29	27					23						17							14	13	12	11		9	8	7	6	5	4	3	2	1
72	71		69	68	67	66		64	63	62		60	59					54	53																																																																			
52			49	48		46		44	43	42			39					34	33																																																																			
		73		32			29	27					23						17																																																																			
						14	13	12	11		9	8	7	6	5	4	3	2	1																																																																			
AVAILABLE	NOT APPLICABLE	34566-1213	0	A	BLACK	<table border="1"> <tr><td>72</td><td>71</td><td></td><td>69</td><td>68</td><td>67</td><td>66</td><td></td><td>64</td><td>63</td><td>62</td><td></td><td></td><td>59</td><td></td><td></td><td></td><td></td><td>54</td><td>53</td></tr> <tr><td>52</td><td></td><td></td><td></td><td>48</td><td></td><td>46</td><td></td><td>44</td><td>43</td><td>42</td><td></td><td></td><td>39</td><td></td><td></td><td></td><td></td><td></td><td>33</td></tr> <tr><td></td><td></td><td>73</td><td></td><td>32</td><td></td><td></td><td>29</td><td>27</td><td></td><td></td><td>24</td><td>23</td><td></td><td></td><td></td><td></td><td></td><td></td><td>17</td></tr> <tr><td></td><td></td><td></td><td></td><td></td><td></td><td>14</td><td>13</td><td>12</td><td>11</td><td></td><td>9</td><td>8</td><td></td><td></td><td>5</td><td>4</td><td>3</td><td>2</td><td>1</td></tr> </table>	72	71		69	68	67	66		64	63	62			59					54	53	52				48		46		44	43	42			39						33			73		32			29	27			24	23							17							14	13	12	11		9	8			5	4	3	2	1
72	71		69	68	67	66		64	63	62			59					54	53																																																																			
52				48		46		44	43	42			39						33																																																																			
		73		32			29	27			24	23							17																																																																			
						14	13	12	11		9	8			5	4	3	2	1																																																																			
AVAILABLE	NOT APPLICABLE	34566-1223	0	B	ST GRY	<table border="1"> <tr><td></td><td></td><td></td><td></td><td></td><td>67</td><td>66</td><td>65</td><td></td><td>63</td><td>62</td><td></td><td></td><td>59</td><td>57</td><td></td><td></td><td>55</td><td>53</td></tr> <tr><td></td><td></td><td></td><td></td><td>48</td><td></td><td></td><td></td><td></td><td>43</td><td>42</td><td></td><td></td><td>39</td><td>37</td><td></td><td></td><td>35</td><td>33</td></tr> <tr><td></td><td></td><td>73</td><td></td><td></td><td></td><td></td><td>29</td><td>27</td><td>26</td><td></td><td></td><td></td><td>23</td><td>21</td><td></td><td></td><td></td><td>17</td></tr> <tr><td></td><td></td><td></td><td></td><td></td><td></td><td></td><td>12</td><td></td><td></td><td>9</td><td></td><td>7</td><td></td><td></td><td></td><td></td><td></td><td></td></tr> </table>						67	66	65		63	62			59	57			55	53					48					43	42			39	37			35	33			73					29	27	26				23	21				17								12			9		7										
					67	66	65		63	62			59	57			55	53																																																																				
				48					43	42			39	37			35	33																																																																				
		73					29	27	26				23	21				17																																																																				
							12			9		7																																																																										
AVAILABLE	NOT APPLICABLE	34566-1233	0	B	ST GRY	<table border="1"> <tr><td></td><td></td><td></td><td></td><td></td><td></td><td>65</td><td></td><td></td><td>62</td><td></td><td></td><td>59</td><td>57</td><td></td><td></td><td>55</td><td>53</td></tr> <tr><td></td><td></td><td></td><td></td><td>48</td><td></td><td>46</td><td></td><td></td><td>42</td><td></td><td></td><td>39</td><td>37</td><td></td><td></td><td>35</td><td>33</td></tr> <tr><td></td><td></td><td>73</td><td></td><td></td><td></td><td></td><td>29</td><td></td><td>26</td><td></td><td></td><td>23</td><td>21</td><td></td><td></td><td></td><td>17</td></tr> <tr><td></td><td></td><td></td><td></td><td></td><td></td><td></td><td>12</td><td></td><td></td><td>9</td><td></td><td>7</td><td></td><td></td><td></td><td></td><td></td></tr> </table>							65			62			59	57			55	53					48		46			42			39	37			35	33			73					29		26			23	21				17								12			9		7													
						65			62			59	57			55	53																																																																					
				48		46			42			39	37			35	33																																																																					
		73					29		26			23	21				17																																																																					
							12			9		7																																																																										
AVAILABLE	NOT APPLICABLE	34566-1243	0	B	ST GRY	<table border="1"> <tr><td></td><td></td><td></td><td>50</td><td></td><td>48</td><td>46</td><td></td><td></td><td></td><td></td><td></td><td>59</td><td>57</td><td></td><td></td><td>55</td><td>53</td></tr> <tr><td></td><td></td><td></td><td></td><td></td><td></td><td></td><td></td><td></td><td></td><td></td><td></td><td>39</td><td>37</td><td></td><td></td><td>35</td><td>33</td></tr> <tr><td></td><td></td><td>73</td><td></td><td></td><td></td><td></td><td>29</td><td></td><td></td><td></td><td></td><td>23</td><td>21</td><td></td><td></td><td></td><td>17</td></tr> <tr><td></td><td></td><td></td><td></td><td></td><td>15</td><td></td><td></td><td>12</td><td></td><td></td><td></td><td>7</td><td>6</td><td>5</td><td>4</td><td>3</td><td></td></tr> </table>				50		48	46						59	57			55	53													39	37			35	33			73					29					23	21				17						15			12				7	6	5	4	3									
			50		48	46						59	57			55	53																																																																					
												39	37			35	33																																																																					
		73					29					23	21				17																																																																					
					15			12				7	6	5	4	3																																																																						
AVAILABLE	NOT APPLICABLE	34566-1253	9	B	ST GRY	<table border="1"> <tr><td></td><td></td><td></td><td></td><td></td><td></td><td></td><td>65</td><td></td><td></td><td></td><td></td><td>60</td><td>59</td><td>57</td><td></td><td>55</td><td>53</td></tr> <tr><td></td><td></td><td></td><td>49</td><td>48</td><td>46</td><td></td><td></td><td></td><td></td><td></td><td></td><td>40</td><td>39</td><td>37</td><td></td><td>35</td><td>33</td></tr> <tr><td></td><td></td><td>73</td><td></td><td></td><td></td><td></td><td></td><td></td><td></td><td></td><td></td><td>24</td><td>23</td><td>21</td><td></td><td></td><td>2</td></tr> </table>								65					60	59	57		55	53				49	48	46							40	39	37		35	33			73										24	23	21			2																										
							65					60	59	57		55	53																																																																					
			49	48	46							40	39	37		35	33																																																																					
		73										24	23	21			2																																																																					
AVAILABLE	NOT APPLICABLE	34566-1263	9	A	BLACK	<p>NUMBERS IN BOLD MUST USE SAE WIRE MEETING SAE J1128, WIRE SIZE (NO.20) OR (NO.18 MAX. O.D. OF 2.06 MM) PER G.M. DRAWING NUMBER 12582682.</p> <table border="1"> <tr><td>72</td><td>71</td><td></td><td>69</td><td>68</td><td>67</td><td>66</td><td></td><td>64</td><td>63</td><td>62</td><td></td><td></td><td>59</td><td></td><td></td><td></td><td></td><td>56</td><td>53</td></tr> <tr><td></td><td></td><td>50</td><td></td><td>48</td><td></td><td>46</td><td></td><td>44</td><td>43</td><td>42</td><td></td><td></td><td>39</td><td></td><td></td><td></td><td></td><td>36</td><td>35</td></tr> <tr><td></td><td></td><td></td><td></td><td>32</td><td></td><td>30</td><td>29</td><td>27</td><td></td><td></td><td></td><td>24</td><td>23</td><td></td><td></td><td></td><td></td><td>20</td><td>17</td></tr> <tr><td></td><td></td><td>73</td><td></td><td></td><td></td><td>14</td><td>13</td><td>12</td><td>11</td><td></td><td>9</td><td>8</td><td></td><td></td><td>5</td><td>4</td><td>3</td><td>2</td><td>1</td></tr> </table>	72	71		69	68	67	66		64	63	62			59					56	53			50		48		46		44	43	42			39					36	35					32		30	29	27				24	23					20	17			73				14	13	12	11		9	8			5	4	3	2	1
72	71		69	68	67	66		64	63	62			59					56	53																																																																			
		50		48		46		44	43	42			39					36	35																																																																			
				32		30	29	27				24	23					20	17																																																																			
		73				14	13	12	11		9	8			5	4	3	2	1																																																																			
AVAILABLE	NOT APPLICABLE	34566-1273	0	A	BLACK	<table border="1"> <tr><td></td><td></td><td>70</td><td>69</td><td>68</td><td></td><td></td><td>65</td><td>64</td><td>63</td><td></td><td>61</td><td></td><td>59</td><td>58</td><td>57</td><td>56</td><td></td><td></td><td></td></tr> <tr><td>52</td><td></td><td>50</td><td>49</td><td>48</td><td>47</td><td></td><td></td><td></td><td></td><td></td><td>41</td><td></td><td></td><td>38</td><td>37</td><td>36</td><td></td><td></td><td>34</td></tr> <tr><td></td><td></td><td></td><td></td><td>32</td><td>31</td><td>30</td><td>29</td><td>28</td><td>27</td><td></td><td></td><td>24</td><td>23</td><td></td><td></td><td>20</td><td>19</td><td>18</td><td></td></tr> <tr><td></td><td></td><td>73</td><td></td><td>16</td><td></td><td></td><td>13</td><td>12</td><td>11</td><td>10</td><td>9</td><td></td><td></td><td></td><td></td><td></td><td></td><td></td><td>1</td></tr> </table>			70	69	68			65	64	63		61		59	58	57	56				52		50	49	48	47						41			38	37	36			34					32	31	30	29	28	27			24	23			20	19	18				73		16			13	12	11	10	9								1
		70	69	68			65	64	63		61		59	58	57	56																																																																						
52		50	49	48	47						41			38	37	36			34																																																																			
				32	31	30	29	28	27			24	23			20	19	18																																																																				
		73		16			13	12	11	10	9								1																																																																			

<b>QUALITY SYMBOLS</b> 	THIS DRAWING CONTAINS INFORMATION THAT IS PROPRIETARY TO MOLEX ELECTRONIC TECHNOLOGIES, LLC AND SHOULD NOT BE USED WITHOUT WRITTEN PERMISSION										
	EC NO: 115716	DRWN: TYE	CHKD: JDENG02	REV: APPR: JDENG02	GENERAL TOLERANCES (UNLESS SPECIFIED)		DIMENSION UNITS	SCALE			
	2017/04/12	2017/04/21			MM	1:1					
	ANGULAR TOL ± °		DRWN BY	DATE	MX123 66/73/80CKT HRNS CONN ASSY						
	4 PLACES ±	SKRAJENDRANA	2011/02/14								
	3 PLACES ±	CHKD BY	DATE	PRODUCT CUSTOMER DRAWING							
	2 PLACES ±	MVANSLAMBROU	2011/02/14								
	1 PLACE ±	APPR BY	DATE	SERIES	MATERIAL NUMBER	CUSTOMER					
	0 PLACES ±	DRAFT WHERE APPLICABLE MUST REMAIN WITHIN DIMENSIONS		34566	SEE BOM TABLE	GENERAL MARKET					
		D	THIRD ANGLE PROJECTION	DOCUMENT NUMBER	DOC TYPE	DOC PART	SHEET NUMBER				
			SD-34566-001	PSD	000	17 OF 93					

STATUS	GM PART #	MATERIAL #	WIRE DRESS OPTION	KEY OPTION	COLOR (TPA)	NUMBERS INDICATE CAVITIES OPEN FOR CIRCUITS																																																																																
AVAILABLE	NOT APPLICABLE	34566-1283	0	A	BLACK	<table border="1"> <tr><td>72</td><td>71</td><td>70</td><td>69</td><td>68</td><td>66</td><td>65</td><td>64</td><td>63</td><td>61</td><td>59</td><td>58</td><td>57</td><td>56</td><td>54</td></tr> <tr><td>52</td><td></td><td>50</td><td>49</td><td>48</td><td>47</td><td></td><td></td><td></td><td>42</td><td>41</td><td></td><td>38</td><td>37</td><td>36</td><td>34</td><td>33</td></tr> <tr><td colspan="3">73</td><td>32</td><td>31</td><td>30</td><td>29</td><td>28</td><td>27</td><td>26</td><td>24</td><td>23</td><td></td><td>20</td><td>19</td><td>18</td><td></td></tr> <tr><td colspan="3">73</td><td>16</td><td></td><td></td><td>13</td><td>12</td><td>11</td><td>10</td><td>9</td><td></td><td></td><td></td><td></td><td></td><td></td></tr> </table>	72	71	70	69	68	66	65	64	63	61	59	58	57	56	54	52		50	49	48	47				42	41		38	37	36	34	33	73			32	31	30	29	28	27	26	24	23		20	19	18		73			16			13	12	11	10	9																				
72	71	70	69	68	66	65	64	63	61	59	58	57	56	54																																																																								
52		50	49	48	47				42	41		38	37	36	34	33																																																																						
73			32	31	30	29	28	27	26	24	23		20	19	18																																																																							
73			16			13	12	11	10	9																																																																												
AVAILABLE	NOT APPLICABLE	34566-1293	0	A	BLACK	<table border="1"> <tr><td></td><td></td><td></td><td></td><td>68</td><td></td><td></td><td>65</td><td>63</td><td>61</td><td></td><td>59</td><td>58</td><td>56</td><td></td><td></td><td></td></tr> <tr><td>52</td><td></td><td>50</td><td></td><td>47</td><td></td><td></td><td></td><td></td><td>41</td><td></td><td></td><td>38</td><td>37</td><td>36</td><td></td><td>34</td><td>33</td></tr> <tr><td colspan="3">73</td><td>32</td><td>31</td><td>30</td><td>29</td><td>28</td><td>27</td><td></td><td>24</td><td>23</td><td></td><td>20</td><td>19</td><td>18</td><td>17</td></tr> <tr><td colspan="3">73</td><td>16</td><td></td><td></td><td>13</td><td>12</td><td>11</td><td>10</td><td>9</td><td></td><td></td><td></td><td></td><td></td><td></td><td>1</td></tr> </table>					68			65	63	61		59	58	56				52		50		47					41			38	37	36		34	33	73			32	31	30	29	28	27		24	23		20	19	18	17	73			16			13	12	11	10	9							1										
				68			65	63	61		59	58	56																																																																									
52		50		47					41			38	37	36		34	33																																																																					
73			32	31	30	29	28	27		24	23		20	19	18	17																																																																						
73			16			13	12	11	10	9							1																																																																					
AVAILABLE	NOT APPLICABLE	34566-1313	0	H	ST GRY	<table border="1"> <tr><td>80</td><td></td><td>78</td><td></td><td></td><td></td><td></td><td></td><td>72</td><td>71</td><td>70</td><td>69</td><td>68</td><td></td><td>66</td><td>65</td><td>64</td><td>63</td><td></td><td>61</td></tr> <tr><td></td><td></td><td>58</td><td>57</td><td>56</td><td>55</td><td>54</td><td>53</td><td></td><td></td><td></td><td></td><td></td><td></td><td>46</td><td></td><td>44</td><td>43</td><td>42</td><td></td></tr> <tr><td>40</td><td></td><td></td><td>37</td><td></td><td>35</td><td></td><td></td><td>32</td><td></td><td>30</td><td>29</td><td></td><td>27</td><td>26</td><td></td><td></td><td></td><td></td><td>21</td></tr> <tr><td>20</td><td>19</td><td>18</td><td>17</td><td></td><td>15</td><td></td><td></td><td>12</td><td></td><td></td><td></td><td></td><td>8</td><td>6</td><td>5</td><td></td><td>3</td><td>2</td><td></td></tr> </table>	80		78						72	71	70	69	68		66	65	64	63		61			58	57	56	55	54	53							46		44	43	42		40			37		35			32		30	29		27	26					21	20	19	18	17		15			12					8	6	5		3	2	
80		78						72	71	70	69	68		66	65	64	63		61																																																																			
		58	57	56	55	54	53							46		44	43	42																																																																				
40			37		35			32		30	29		27	26					21																																																																			
20	19	18	17		15			12					8	6	5		3	2																																																																				
AVAILABLE	NOT APPLICABLE	34566-1323	0	A	BLACK	<table border="1"> <tr><td>72</td><td>71</td><td>70</td><td>69</td><td>68</td><td>67</td><td>66</td><td>65</td><td>64</td><td>63</td><td>62</td><td></td><td>60</td><td>59</td><td>58</td><td>57</td><td>56</td><td>55</td><td>54</td><td>53</td></tr> <tr><td>52</td><td>51</td><td>50</td><td>49</td><td>48</td><td>47</td><td>46</td><td>45</td><td>44</td><td>43</td><td>42</td><td>41</td><td>40</td><td>39</td><td>38</td><td>37</td><td>36</td><td>35</td><td>34</td><td>33</td></tr> <tr><td colspan="3">73</td><td>32</td><td>31</td><td>30</td><td>29</td><td>28</td><td>27</td><td></td><td>25</td><td>24</td><td>23</td><td>22</td><td>21</td><td>20</td><td>19</td><td>18</td><td>17</td><td></td></tr> <tr><td colspan="3">73</td><td>16</td><td>15</td><td>14</td><td>13</td><td>12</td><td>11</td><td></td><td>9</td><td>8</td><td>7</td><td>6</td><td>5</td><td>4</td><td>3</td><td>2</td><td>1</td><td></td></tr> </table>	72	71	70	69	68	67	66	65	64	63	62		60	59	58	57	56	55	54	53	52	51	50	49	48	47	46	45	44	43	42	41	40	39	38	37	36	35	34	33	73			32	31	30	29	28	27		25	24	23	22	21	20	19	18	17		73			16	15	14	13	12	11		9	8	7	6	5	4	3	2	1	
72	71	70	69	68	67	66	65	64	63	62		60	59	58	57	56	55	54	53																																																																			
52	51	50	49	48	47	46	45	44	43	42	41	40	39	38	37	36	35	34	33																																																																			
73			32	31	30	29	28	27		25	24	23	22	21	20	19	18	17																																																																				
73			16	15	14	13	12	11		9	8	7	6	5	4	3	2	1																																																																				
AVAILABLE	NOT APPLICABLE	34566-1333	0	A	BLACK	<table border="1"> <tr><td></td><td></td><td>70</td><td>69</td><td>68</td><td></td><td></td><td>65</td><td>64</td><td></td><td></td><td></td><td>59</td><td>58</td><td></td><td>56</td><td></td><td></td><td></td><td></td></tr> <tr><td>52</td><td></td><td>50</td><td>49</td><td></td><td>47</td><td></td><td></td><td></td><td></td><td></td><td>41</td><td></td><td></td><td>38</td><td>37</td><td>36</td><td></td><td>34</td><td></td></tr> <tr><td colspan="3">73</td><td>32</td><td>31</td><td>30</td><td>29</td><td>28</td><td>27</td><td></td><td></td><td>23</td><td></td><td></td><td>20</td><td>19</td><td>18</td><td>17</td><td></td><td></td></tr> <tr><td colspan="3">73</td><td>16</td><td></td><td></td><td>13</td><td>12</td><td>11</td><td>10</td><td>9</td><td>8</td><td></td><td>6</td><td></td><td></td><td></td><td></td><td></td><td>1</td></tr> </table>			70	69	68			65	64				59	58		56					52		50	49		47						41			38	37	36		34		73			32	31	30	29	28	27			23			20	19	18	17			73			16			13	12	11	10	9	8		6						1
		70	69	68			65	64				59	58		56																																																																							
52		50	49		47						41			38	37	36		34																																																																				
73			32	31	30	29	28	27			23			20	19	18	17																																																																					
73			16			13	12	11	10	9	8		6						1																																																																			
AVAILABLE	NOT APPLICABLE	34566-1343	0	A	BLACK	<table border="1"> <tr><td>72</td><td>71</td><td></td><td>69</td><td></td><td>67</td><td></td><td>65</td><td>64</td><td>63</td><td></td><td></td><td>59</td><td>58</td><td>57</td><td>56</td><td></td><td></td><td></td><td></td></tr> <tr><td></td><td></td><td>50</td><td>49</td><td>48</td><td>47</td><td></td><td></td><td></td><td></td><td></td><td>41</td><td></td><td></td><td>38</td><td>37</td><td>36</td><td></td><td>34</td><td></td></tr> <tr><td colspan="3">73</td><td>32</td><td>31</td><td>30</td><td>29</td><td>28</td><td>27</td><td></td><td></td><td>23</td><td></td><td></td><td>20</td><td>19</td><td>18</td><td>17</td><td></td><td></td></tr> <tr><td colspan="3">73</td><td>16</td><td></td><td></td><td>13</td><td>12</td><td>11</td><td>10</td><td>9</td><td>7</td><td>6</td><td></td><td>4</td><td>3</td><td></td><td></td><td></td><td>1</td></tr> </table>	72	71		69		67		65	64	63			59	58	57	56							50	49	48	47						41			38	37	36		34		73			32	31	30	29	28	27			23			20	19	18	17			73			16			13	12	11	10	9	7	6		4	3				1
72	71		69		67		65	64	63			59	58	57	56																																																																							
		50	49	48	47						41			38	37	36		34																																																																				
73			32	31	30	29	28	27			23			20	19	18	17																																																																					
73			16			13	12	11	10	9	7	6		4	3				1																																																																			
AVAILABLE	NOT APPLICABLE	34566-1353	0	H	ST GRY	<table border="1"> <tr><td></td><td>79</td><td>78</td><td>77</td><td>76</td><td>75</td><td>74</td><td>73</td><td>72</td><td>71</td><td>70</td><td>69</td><td>68</td><td></td><td>66</td><td>65</td><td>64</td><td>63</td><td></td><td>61</td></tr> <tr><td>60</td><td>59</td><td>58</td><td>57</td><td>56</td><td></td><td></td><td>53</td><td></td><td></td><td>50</td><td></td><td></td><td></td><td></td><td></td><td>44</td><td>43</td><td></td><td>41</td></tr> <tr><td>40</td><td>39</td><td>38</td><td>37</td><td></td><td>35</td><td>34</td><td></td><td>32</td><td></td><td>30</td><td>29</td><td></td><td>27</td><td>26</td><td></td><td></td><td></td><td>22</td><td>21</td></tr> <tr><td>20</td><td>19</td><td>18</td><td>17</td><td></td><td></td><td></td><td>13</td><td>12</td><td>11</td><td></td><td></td><td></td><td>8</td><td>6</td><td>5</td><td></td><td>3</td><td>2</td><td></td></tr> </table>		79	78	77	76	75	74	73	72	71	70	69	68		66	65	64	63		61	60	59	58	57	56			53			50						44	43		41	40	39	38	37		35	34		32		30	29		27	26				22	21	20	19	18	17				13	12	11				8	6	5		3	2	
	79	78	77	76	75	74	73	72	71	70	69	68		66	65	64	63		61																																																																			
60	59	58	57	56			53			50						44	43		41																																																																			
40	39	38	37		35	34		32		30	29		27	26				22	21																																																																			
20	19	18	17				13	12	11				8	6	5		3	2																																																																				
AVAILABLE	NOT APPLICABLE	34566-1363	0	A	BLACK	<table border="1"> <tr><td>72</td><td>71</td><td></td><td>69</td><td>68</td><td>67</td><td>66</td><td></td><td>64</td><td>63</td><td>62</td><td></td><td></td><td>59</td><td></td><td></td><td></td><td></td><td></td><td>53</td></tr> <tr><td></td><td></td><td></td><td>48</td><td>46</td><td>44</td><td>43</td><td>42</td><td></td><td></td><td></td><td></td><td>39</td><td></td><td></td><td></td><td></td><td></td><td></td><td>33</td></tr> <tr><td colspan="3">73</td><td>32</td><td></td><td>29</td><td>27</td><td></td><td></td><td>24</td><td>23</td><td></td><td></td><td></td><td></td><td></td><td></td><td></td><td></td><td>17</td></tr> <tr><td colspan="3">73</td><td></td><td></td><td>14</td><td>13</td><td>12</td><td>11</td><td></td><td>9</td><td>8</td><td></td><td></td><td>5</td><td>4</td><td>3</td><td>2</td><td>1</td><td></td></tr> </table>	72	71		69	68	67	66		64	63	62			59						53				48	46	44	43	42					39							33	73			32		29	27			24	23									17	73					14	13	12	11		9	8			5	4	3	2	1	
72	71		69	68	67	66		64	63	62			59						53																																																																			
			48	46	44	43	42					39							33																																																																			
73			32		29	27			24	23									17																																																																			
73					14	13	12	11		9	8			5	4	3	2	1																																																																				

<b>QUALITY SYMBOLS</b> = 0 = 0 = 0 = 0 = 0 = 0 = 0 = 0 = 0	THIS DRAWING CONTAINS INFORMATION THAT IS PROPRIETARY TO MOLEX ELECTRONIC TECHNOLOGIES, LLC AND SHOULD NOT BE USED WITHOUT WRITTEN PERMISSION									
	2017/04/12	2017/04/21	GENERAL TOLERANCES (UNLESS SPECIFIED)		DIMENSION UNITS	SCALE				
	DRWN: TYE	CHKD: JDENG02	ANGULAR TOL ± °		MM	1:1				
	EC NO: 115716	REV: APPR: JDENG02	4 PLACES ±	SKRAJENDRANA	DATE	2011/02/14				
			3 PLACES ±	CHKD BY	DATE					
			2 PLACES ±	MVANSLAMBROU	DATE	2011/02/14				
			1 PLACE ±	APPR BY	DATE					
			0 PLACES ±	DRAWING SIZE		THIRD ANGLE PROJECTION				
			DRAFT WHERE APPLICABLE MUST REMAIN WITHIN DIMENSIONS		D					
RELEASE STATUS		RELEASE DATE		SERIES		MATERIAL NUMBER		CUSTOMER		
				34566		SEE BOM TABLE		GENERAL MARKET		
				DOCUMENT NUMBER		DOC TYPE		DOC PART SHEET NUMBER		
				SD-34566-001		PSD		000 18 OF 93		

STATUS	GM PART #	MATERIAL #	WIRE DRESS OPTION	KEY OPTION ▽	COLOR (TPA) ▽	NUMBERS INDICATE CAVITIES OPEN FOR CIRCUITS ▽ FP																																																																																								
AVAILABLE	NOT APPLICABLE	34566-1373	0	B	ST GRY	<table border="1"> <tr><td></td><td></td><td></td><td></td><td></td><td>66</td><td>65</td><td></td><td></td><td>62</td><td></td><td>59</td><td>57</td><td>55</td><td>53</td></tr> <tr><td></td><td></td><td></td><td>48</td><td>46</td><td></td><td></td><td></td><td></td><td>42</td><td></td><td>39</td><td>37</td><td>35</td><td>33</td></tr> <tr><td>73</td><td></td><td></td><td></td><td></td><td>29</td><td></td><td></td><td></td><td>26</td><td></td><td>23</td><td>21</td><td></td><td>17</td></tr> <tr><td></td><td></td><td></td><td></td><td></td><td>12</td><td></td><td></td><td></td><td></td><td>9</td><td>7</td><td></td><td></td><td></td></tr> </table>						66	65			62		59	57	55	53				48	46					42		39	37	35	33	73					29				26		23	21		17						12					9	7																															
					66	65			62		59	57	55	53																																																																																
			48	46					42		39	37	35	33																																																																																
73					29				26		23	21		17																																																																																
					12					9	7																																																																																			
AVAILABLE	NOT APPLICABLE	34566-1383	0	B	ST GRY	<table border="1"> <tr><td></td><td></td><td></td><td></td><td></td><td>65</td><td></td><td></td><td></td><td></td><td></td><td>59</td><td>58</td><td>57</td><td>55</td><td>53</td></tr> <tr><td></td><td></td><td></td><td>49</td><td>48</td><td>47</td><td>46</td><td></td><td></td><td></td><td></td><td>39</td><td>38</td><td>37</td><td>35</td><td>33</td></tr> <tr><td>73</td><td></td><td></td><td></td><td></td><td></td><td></td><td>29</td><td></td><td></td><td></td><td>23</td><td>22</td><td>21</td><td></td><td>17</td></tr> <tr><td></td><td></td><td></td><td></td><td></td><td></td><td>12</td><td></td><td></td><td></td><td></td><td>7</td><td></td><td></td><td></td><td></td></tr> </table>						65						59	58	57	55	53				49	48	47	46					39	38	37	35	33	73							29				23	22	21		17							12					7																												
					65						59	58	57	55	53																																																																															
			49	48	47	46					39	38	37	35	33																																																																															
73							29				23	22	21		17																																																																															
						12					7																																																																																			
AVAILABLE	NOT APPLICABLE	34566-1393	0	A	BLACK	<table border="1"> <tr><td></td><td></td><td>70</td><td></td><td></td><td>67</td><td>66</td><td></td><td></td><td></td><td></td><td>61</td><td></td><td>58</td><td>57</td><td>55</td><td>54</td></tr> <tr><td></td><td></td><td></td><td></td><td></td><td>47</td><td></td><td>45</td><td>44</td><td>43</td><td>42</td><td>41</td><td></td><td>39</td><td></td><td>37</td><td></td><td>34</td></tr> <tr><td>73</td><td></td><td></td><td>32</td><td></td><td>30</td><td></td><td></td><td></td><td>27</td><td>25</td><td>24</td><td></td><td></td><td>21</td><td>20</td><td>19</td><td>18</td></tr> <tr><td></td><td></td><td></td><td></td><td></td><td></td><td>13</td><td></td><td></td><td>11</td><td></td><td></td><td></td><td>6</td><td>5</td><td>3</td><td></td><td>1</td></tr> </table>			70			67	66					61		58	57	55	54						47		45	44	43	42	41		39		37		34	73			32		30				27	25	24			21	20	19	18							13			11				6	5	3		1																	
		70			67	66					61		58	57	55	54																																																																														
					47		45	44	43	42	41		39		37		34																																																																													
73			32		30				27	25	24			21	20	19	18																																																																													
						13			11				6	5	3		1																																																																													
AVAILABLE	NOT APPLICABLE	34566-1423	0	B	ST GRY	<table border="1"> <tr><td></td><td></td><td></td><td></td><td></td><td>68</td><td>67</td><td>66</td><td>65</td><td></td><td></td><td>61</td><td>60</td><td>59</td><td>58</td><td>57</td><td></td><td>54</td><td>53</td></tr> <tr><td></td><td>51</td><td>50</td><td>49</td><td>48</td><td>47</td><td>46</td><td>45</td><td></td><td>43</td><td>42</td><td>41</td><td>40</td><td>39</td><td>38</td><td>37</td><td></td><td>35</td><td>34</td><td>33</td></tr> <tr><td>73</td><td></td><td></td><td></td><td>32</td><td>31</td><td>30</td><td></td><td></td><td></td><td>26</td><td></td><td>24</td><td>23</td><td>22</td><td>21</td><td>20</td><td></td><td></td><td></td></tr> <tr><td></td><td></td><td></td><td></td><td>16</td><td>15</td><td>14</td><td>13</td><td></td><td></td><td>10</td><td>9</td><td>8</td><td>7</td><td>6</td><td>5</td><td>4</td><td></td><td></td><td></td></tr> </table>						68	67	66	65			61	60	59	58	57		54	53		51	50	49	48	47	46	45		43	42	41	40	39	38	37		35	34	33	73				32	31	30				26		24	23	22	21	20								16	15	14	13			10	9	8	7	6	5	4												
					68	67	66	65			61	60	59	58	57		54	53																																																																												
	51	50	49	48	47	46	45		43	42	41	40	39	38	37		35	34	33																																																																											
73				32	31	30				26		24	23	22	21	20																																																																														
				16	15	14	13			10	9	8	7	6	5	4																																																																														
AVAILABLE	NOT APPLICABLE	34566-1433	0	B	ST GRY	<table border="1"> <tr><td></td><td></td><td></td><td></td><td></td><td></td><td></td><td>66</td><td></td><td></td><td></td><td></td><td></td><td>59</td><td>57</td><td>55</td><td>53</td></tr> <tr><td></td><td></td><td></td><td>49</td><td>48</td><td></td><td>46</td><td></td><td></td><td></td><td></td><td></td><td></td><td>39</td><td>37</td><td>35</td><td>33</td></tr> <tr><td>73</td><td></td><td></td><td></td><td></td><td></td><td></td><td>29</td><td></td><td></td><td></td><td></td><td></td><td>23</td><td>21</td><td></td><td>18</td><td>17</td></tr> <tr><td></td><td></td><td></td><td></td><td></td><td></td><td></td><td></td><td>12</td><td></td><td></td><td></td><td></td><td>7</td><td></td><td></td><td></td><td></td></tr> </table>								66						59	57	55	53				49	48		46							39	37	35	33	73							29						23	21		18	17									12					7																						
							66						59	57	55	53																																																																														
			49	48		46							39	37	35	33																																																																														
73							29						23	21		18	17																																																																													
								12					7																																																																																	
AVAILABLE	NOT APPLICABLE	34566-1443	0	B	ST GRY	<table border="1"> <tr><td></td><td></td><td></td><td></td><td></td><td>69</td><td>68</td><td></td><td></td><td></td><td></td><td></td><td></td><td>59</td><td>57</td><td>55</td><td>53</td></tr> <tr><td></td><td></td><td></td><td></td><td>49</td><td>48</td><td>46</td><td></td><td></td><td></td><td></td><td></td><td></td><td>39</td><td>37</td><td>35</td><td>33</td></tr> <tr><td>73</td><td></td><td></td><td></td><td></td><td></td><td></td><td>29</td><td></td><td></td><td></td><td></td><td></td><td>23</td><td>21</td><td></td><td>17</td></tr> <tr><td></td><td></td><td></td><td></td><td></td><td></td><td></td><td></td><td>12</td><td>11</td><td>10</td><td></td><td></td><td>7</td><td></td><td></td><td></td><td></td></tr> </table>						69	68							59	57	55	53					49	48	46							39	37	35	33	73							29						23	21		17									12	11	10			7																							
					69	68							59	57	55	53																																																																														
				49	48	46							39	37	35	33																																																																														
73							29						23	21		17																																																																														
								12	11	10			7																																																																																	
AVAILABLE	NOT APPLICABLE	34566-1453	0	B	ST GRY	<table border="1"> <tr><td></td><td></td><td></td><td></td><td></td><td></td><td></td><td>66</td><td>65</td><td>64</td><td></td><td></td><td></td><td>59</td><td>57</td><td>55</td><td>53</td></tr> <tr><td></td><td></td><td></td><td>49</td><td>48</td><td>47</td><td></td><td></td><td>44</td><td>42</td><td></td><td></td><td></td><td>39</td><td>37</td><td>35</td><td>33</td></tr> <tr><td>73</td><td></td><td></td><td></td><td></td><td></td><td></td><td>29</td><td>28</td><td>26</td><td></td><td></td><td></td><td>23</td><td>21</td><td></td><td>17</td></tr> <tr><td></td><td></td><td></td><td></td><td></td><td></td><td></td><td></td><td>12</td><td></td><td>9</td><td></td><td></td><td>7</td><td></td><td></td><td></td><td></td></tr> </table>								66	65	64				59	57	55	53				49	48	47			44	42				39	37	35	33	73							29	28	26				23	21		17									12		9			7																							
							66	65	64				59	57	55	53																																																																														
			49	48	47			44	42				39	37	35	33																																																																														
73							29	28	26				23	21		17																																																																														
								12		9			7																																																																																	
AVAILABLE	NOT APPLICABLE	34566-1463	0	A	BLACK	<table border="1"> <tr><td></td><td></td><td></td><td></td><td></td><td>69</td><td>68</td><td></td><td></td><td></td><td>65</td><td>64</td><td>63</td><td>62</td><td>61</td><td>60</td><td>59</td><td>58</td><td></td><td>56</td><td></td><td></td></tr> <tr><td>52</td><td></td><td>50</td><td>49</td><td>48</td><td>47</td><td></td><td>45</td><td></td><td></td><td></td><td></td><td></td><td>41</td><td></td><td></td><td>38</td><td>37</td><td>36</td><td></td><td>34</td><td>33</td></tr> <tr><td>73</td><td></td><td></td><td></td><td>32</td><td>31</td><td>30</td><td>29</td><td>28</td><td>27</td><td></td><td></td><td></td><td>24</td><td>23</td><td></td><td></td><td></td><td>20</td><td>19</td><td>18</td><td>17</td></tr> <tr><td></td><td></td><td></td><td></td><td>16</td><td></td><td></td><td>13</td><td>12</td><td>11</td><td>10</td><td>9</td><td></td><td></td><td></td><td></td><td></td><td></td><td></td><td></td><td></td><td>1</td></tr> </table>						69	68				65	64	63	62	61	60	59	58		56			52		50	49	48	47		45						41			38	37	36		34	33	73				32	31	30	29	28	27				24	23				20	19	18	17					16			13	12	11	10	9										1
					69	68				65	64	63	62	61	60	59	58		56																																																																											
52		50	49	48	47		45						41			38	37	36		34	33																																																																									
73				32	31	30	29	28	27				24	23				20	19	18	17																																																																									
				16			13	12	11	10	9										1																																																																									


QUALITY SYMBOLS		THIS DRAWING CONTAINS INFORMATION THAT IS PROPRIETARY TO MOLEX ELECTRONIC TECHNOLOGIES, LLC AND SHOULD NOT BE USED WITHOUT WRITTEN PERMISSION																			
▽ = 0	2017/04/12	GENERAL TOLERANCES (UNLESS SPECIFIED)				DIMENSION UNITS	SCALE	 <b>MX123</b> <b>66/73/80CKT HRNS CONN ASSY</b> <b>PRODUCT CUSTOMER DRAWING</b>													
▽ = 0		ANGULAR TOL ± °				MM	1:1														
▽ = 0		4 PLACES ±				DRWN BY	DATE														
▽ = 0		3 PLACES ±				SKRAJENDRANA	2011/02/14														
▽ = 0		2 PLACES ±				CHKD BY	DATE														
▽ = 0		1 PLACE ±				MVANSLAMBROU	2011/02/14														
▽ = 0		0 PLACES ±				APPR BY	DATE														
▽ = 0	EC NO: 115716	DRAFT WHERE APPLICABLE MUST REMAIN WITHIN DIMENSIONS				DRAWING SIZE	THIRD ANGLE PROJECTION	SERIES: 34566    MATERIAL NUMBER: SEE BOM TABLE    CUSTOMER: GENERAL MARKET DOCUMENT NUMBER: SD-34566-001    DOC TYPE: PSD    DOC PART: 000    SHEET NUMBER: 19 OF 93													
▽ = 0	DRWN: TYE	G50				D	⊕														
▽ = 0	CHKD:	2017/04/21																			
▽ = 0	REV APPR: JDENG02																				



STATUS	GM PART #	MATERIAL #	WIRE DRESS OPTION	KEY OPTION	COLOR (TPA)	NUMBERS INDICATE CAVITIES OPEN FOR CIRCUITS																																																																								
AVAILABLE	NOT APPLICABLE	34566-1473	0	A	BLACK	<table border="1"> <tr><td>72</td><td>71</td><td></td><td>69</td><td>68</td><td>67</td><td>66</td><td></td><td>64</td><td>63</td><td>62</td><td></td><td>59</td><td></td><td></td><td></td><td>54</td><td>53</td></tr> <tr><td>52</td><td></td><td></td><td>49</td><td>48</td><td></td><td>46</td><td></td><td>44</td><td>43</td><td>42</td><td></td><td>39</td><td></td><td></td><td></td><td>34</td><td>33</td></tr> <tr><td colspan="3">73</td><td>32</td><td></td><td></td><td>29</td><td></td><td>27</td><td></td><td></td><td>24</td><td>23</td><td></td><td></td><td></td><td>17</td><td></td></tr> <tr><td></td><td></td><td></td><td></td><td>14</td><td>13</td><td>12</td><td>11</td><td></td><td>9</td><td>8</td><td>7</td><td>6</td><td>5</td><td>4</td><td>3</td><td>2</td><td>1</td></tr> </table>	72	71		69	68	67	66		64	63	62		59				54	53	52			49	48		46		44	43	42		39				34	33	73			32			29		27			24	23				17						14	13	12	11		9	8	7	6	5	4	3	2	1
72	71		69	68	67	66		64	63	62		59				54	53																																																													
52			49	48		46		44	43	42		39				34	33																																																													
73			32			29		27			24	23				17																																																														
				14	13	12	11		9	8	7	6	5	4	3	2	1																																																													
AVAILABLE	NOT APPLICABLE	34566-1483	0	A	BLACK	<table border="1"> <tr><td>72</td><td>71</td><td></td><td>69</td><td>68</td><td></td><td></td><td>65</td><td>64</td><td>63</td><td></td><td>61</td><td>59</td><td>58</td><td>56</td><td></td><td></td><td></td></tr> <tr><td>52</td><td></td><td>50</td><td>49</td><td></td><td>47</td><td></td><td></td><td></td><td></td><td></td><td>41</td><td></td><td>38</td><td>37</td><td>36</td><td>34</td><td>33</td></tr> <tr><td colspan="3">73</td><td>32</td><td>31</td><td>30</td><td>29</td><td>28</td><td>27</td><td></td><td></td><td>24</td><td>23</td><td></td><td>20</td><td>19</td><td>18</td><td>17</td></tr> <tr><td></td><td></td><td></td><td>16</td><td></td><td></td><td>13</td><td>12</td><td>11</td><td>10</td><td>9</td><td></td><td></td><td></td><td></td><td></td><td></td><td>1</td></tr> </table>	72	71		69	68			65	64	63		61	59	58	56				52		50	49		47						41		38	37	36	34	33	73			32	31	30	29	28	27			24	23		20	19	18	17				16			13	12	11	10	9							1
72	71		69	68			65	64	63		61	59	58	56																																																																
52		50	49		47						41		38	37	36	34	33																																																													
73			32	31	30	29	28	27			24	23		20	19	18	17																																																													
			16			13	12	11	10	9							1																																																													
AVAILABLE	NOT APPLICABLE	34566-1493	0	B	ST GRY	<table border="1"> <tr><td></td><td></td><td></td><td>68</td><td></td><td></td><td></td><td></td><td></td><td></td><td></td><td></td><td>59</td><td>58</td><td>57</td><td>55</td><td>53</td><td></td></tr> <tr><td></td><td></td><td></td><td>49</td><td>48</td><td></td><td>46</td><td></td><td></td><td></td><td></td><td></td><td>39</td><td>38</td><td>37</td><td>35</td><td>33</td><td></td></tr> <tr><td colspan="3">73</td><td></td><td></td><td></td><td>29</td><td></td><td></td><td></td><td></td><td>23</td><td>22</td><td>21</td><td></td><td>18</td><td>17</td><td></td></tr> <tr><td></td><td></td><td></td><td></td><td></td><td></td><td>12</td><td>11</td><td>10</td><td></td><td></td><td>7</td><td></td><td></td><td></td><td></td><td></td><td>1</td></tr> </table>				68									59	58	57	55	53					49	48		46						39	38	37	35	33		73						29					23	22	21		18	17								12	11	10			7						1
			68									59	58	57	55	53																																																														
			49	48		46						39	38	37	35	33																																																														
73						29					23	22	21		18	17																																																														
						12	11	10			7						1																																																													
AVAILABLE	NOT APPLICABLE	34566-1513	0	B	ST GRY	<table border="1"> <tr><td></td><td></td><td></td><td></td><td></td><td></td><td>65</td><td></td><td></td><td></td><td></td><td></td><td>59</td><td>57</td><td>55</td><td>53</td><td></td><td></td></tr> <tr><td></td><td></td><td></td><td>49</td><td>48</td><td></td><td>46</td><td></td><td></td><td></td><td></td><td></td><td>39</td><td>37</td><td>35</td><td>33</td><td></td><td></td></tr> <tr><td colspan="3">73</td><td></td><td></td><td></td><td>29</td><td></td><td></td><td></td><td></td><td>23</td><td>21</td><td></td><td></td><td>17</td><td></td><td></td></tr> <tr><td></td><td></td><td></td><td></td><td></td><td></td><td>12</td><td></td><td></td><td></td><td></td><td>7</td><td></td><td></td><td></td><td></td><td></td><td></td></tr> </table>							65						59	57	55	53						49	48		46						39	37	35	33			73						29					23	21			17									12					7						
						65						59	57	55	53																																																															
			49	48		46						39	37	35	33																																																															
73						29					23	21			17																																																															
						12					7																																																																			
AVAILABLE	NOT APPLICABLE	34566-1523	0	A	BLACK	<table border="1"> <tr><td></td><td></td><td>70</td><td>69</td><td>68</td><td></td><td></td><td>65</td><td>64</td><td></td><td></td><td></td><td>59</td><td>58</td><td>56</td><td>54</td><td></td><td></td></tr> <tr><td>52</td><td></td><td>50</td><td>49</td><td></td><td>47</td><td></td><td></td><td></td><td></td><td>42</td><td>41</td><td></td><td>38</td><td>37</td><td>36</td><td>34</td><td></td></tr> <tr><td colspan="3">73</td><td>32</td><td>31</td><td>30</td><td>29</td><td>28</td><td>27</td><td>26</td><td></td><td></td><td>23</td><td></td><td>20</td><td>19</td><td>18</td><td>17</td></tr> <tr><td></td><td></td><td></td><td>16</td><td></td><td></td><td>13</td><td>12</td><td>11</td><td>10</td><td>9</td><td>8</td><td></td><td></td><td></td><td></td><td></td><td>1</td></tr> </table>			70	69	68			65	64				59	58	56	54			52		50	49		47					42	41		38	37	36	34		73			32	31	30	29	28	27	26			23		20	19	18	17				16			13	12	11	10	9	8						1
		70	69	68			65	64				59	58	56	54																																																															
52		50	49		47					42	41		38	37	36	34																																																														
73			32	31	30	29	28	27	26			23		20	19	18	17																																																													
			16			13	12	11	10	9	8						1																																																													
AVAILABLE	NOT APPLICABLE	34566-1533	0	A	BLACK	<table border="1"> <tr><td>72</td><td>71</td><td>70</td><td>69</td><td>68</td><td></td><td></td><td>65</td><td>64</td><td>63</td><td></td><td>61</td><td>59</td><td>58</td><td>57</td><td>56</td><td></td><td></td></tr> <tr><td>52</td><td>51</td><td>50</td><td>49</td><td></td><td>47</td><td></td><td></td><td></td><td></td><td></td><td>41</td><td></td><td>38</td><td>37</td><td>36</td><td>34</td><td>33</td></tr> <tr><td colspan="3">73</td><td>32</td><td>31</td><td>30</td><td>29</td><td>28</td><td>27</td><td></td><td></td><td>24</td><td>23</td><td></td><td>20</td><td>19</td><td>18</td><td>17</td></tr> <tr><td></td><td></td><td></td><td>16</td><td></td><td></td><td>13</td><td>12</td><td>11</td><td>10</td><td>9</td><td></td><td></td><td></td><td></td><td>3</td><td>2</td><td>1</td></tr> </table>	72	71	70	69	68			65	64	63		61	59	58	57	56			52	51	50	49		47						41		38	37	36	34	33	73			32	31	30	29	28	27			24	23		20	19	18	17				16			13	12	11	10	9					3	2	1
72	71	70	69	68			65	64	63		61	59	58	57	56																																																															
52	51	50	49		47						41		38	37	36	34	33																																																													
73			32	31	30	29	28	27			24	23		20	19	18	17																																																													
			16			13	12	11	10	9					3	2	1																																																													
AVAILABLE	NOT APPLICABLE	34566-1543	0	B	ST GRY	<table border="1"> <tr><td></td><td></td><td></td><td>69</td><td>68</td><td></td><td>66</td><td></td><td></td><td></td><td></td><td></td><td>59</td><td>57</td><td>55</td><td>53</td><td></td><td></td></tr> <tr><td></td><td></td><td></td><td>49</td><td>48</td><td></td><td>46</td><td></td><td></td><td></td><td></td><td></td><td>39</td><td>37</td><td>35</td><td>33</td><td></td><td></td></tr> <tr><td colspan="3">73</td><td></td><td></td><td></td><td>29</td><td></td><td></td><td></td><td></td><td>23</td><td>21</td><td></td><td></td><td></td><td></td><td></td></tr> <tr><td></td><td></td><td></td><td></td><td></td><td></td><td></td><td>11</td><td>10</td><td></td><td></td><td>7</td><td></td><td></td><td></td><td></td><td></td><td></td></tr> </table>				69	68		66						59	57	55	53						49	48		46						39	37	35	33			73						29					23	21													11	10			7						
			69	68		66						59	57	55	53																																																															
			49	48		46						39	37	35	33																																																															
73						29					23	21																																																																		
							11	10			7																																																																			
AVAILABLE	NOT APPLICABLE	34566-1583	0	A	BLACK	<table border="1"> <tr><td></td><td></td><td>70</td><td></td><td></td><td>67</td><td>66</td><td>65</td><td></td><td></td><td></td><td>61</td><td></td><td>58</td><td>57</td><td>55</td><td>54</td><td></td></tr> <tr><td></td><td></td><td></td><td>49</td><td></td><td>47</td><td></td><td>45</td><td>44</td><td>43</td><td>42</td><td>41</td><td>39</td><td></td><td>37</td><td></td><td>34</td><td></td></tr> <tr><td colspan="3">73</td><td>32</td><td></td><td>30</td><td></td><td></td><td></td><td>27</td><td>25</td><td>24</td><td></td><td>21</td><td>20</td><td>19</td><td>18</td><td>17</td></tr> <tr><td></td><td></td><td></td><td></td><td>15</td><td></td><td>13</td><td></td><td>11</td><td></td><td>9</td><td>8</td><td></td><td>6</td><td>5</td><td></td><td>3</td><td>1</td></tr> </table>			70			67	66	65				61		58	57	55	54					49		47		45	44	43	42	41	39		37		34		73			32		30				27	25	24		21	20	19	18	17					15		13		11		9	8		6	5		3	1
		70			67	66	65				61		58	57	55	54																																																														
			49		47		45	44	43	42	41	39		37		34																																																														
73			32		30				27	25	24		21	20	19	18	17																																																													
				15		13		11		9	8		6	5		3	1																																																													

<b>QUALITY SYMBOLS</b> = 0 = 0 = 0 = 0 = 0 = 0 = 0 = 0 = 0	THIS DRAWING CONTAINS INFORMATION THAT IS PROPRIETARY TO MOLEX ELECTRONIC TECHNOLOGIES, LLC AND SHOULD NOT BE USED WITHOUT WRITTEN PERMISSION									
	2017/04/12	2017/04/21	GENERAL TOLERANCES (UNLESS SPECIFIED)		DIMENSION UNITS	SCALE				
	DRWN: TYE		ANGULAR TOL ± °		MM	1:1				
	CHKD: JDENG02		4 PLACES ±		DRWN BY	DATE				
	REV: APPR: JDENG02		3 PLACES ±		SKRAJENDRANA	2011/02/14				
			2 PLACES ±		CHKD BY	DATE				
			1 PLACE ±		MVANSLAMBROU	2011/02/14				
			0 PLACES ±		APPR BY	DATE				
			DRAFT WHERE APPLICABLE MUST REMAIN WITHIN DIMENSIONS		DRAWING SIZE	THIRD ANGLE PROJECTION				
					D					
EC NO: 115716		G50		SERIES		MATERIAL NUMBER		CUSTOMER		
				34566		SEE BOM TABLE		GENERAL MARKET		
				DOCUMENT NUMBER		DOC TYPE		DOC PART SHEET NUMBER		
				SD-34566-001		PSD		000 20 OF 93		

STATUS	GM PART #	MATERIAL #	WIRE DRESS OPTION	KEY OPTION	COLOR (TPA)	NUMBERS INDICATE CAVITIES OPEN FOR CIRCUITS																																																																																				
						▽ <sub>F</sub>																																																																																				
AVAILABLE	NOT APPLICABLE	34566-1593	0	B	ST GRY	<table border="1"> <tr><td></td><td></td><td></td><td></td><td></td><td>67</td><td></td><td>65</td><td></td><td></td><td></td><td>61</td><td>60</td><td>59</td><td>58</td><td>57</td><td></td><td></td><td>54</td><td>53</td></tr> <tr><td></td><td>51</td><td>50</td><td>49</td><td>48</td><td>47</td><td>46</td><td>45</td><td></td><td></td><td>43</td><td>42</td><td></td><td>40</td><td>39</td><td></td><td>37</td><td></td><td></td><td>34</td><td>33</td></tr> <tr><td></td><td colspan="2">73</td><td></td><td>32</td><td>31</td><td>30</td><td></td><td></td><td></td><td></td><td>26</td><td></td><td>24</td><td>23</td><td>22</td><td>21</td><td>20</td><td></td><td></td><td></td></tr> <tr><td></td><td></td><td></td><td></td><td>16</td><td>15</td><td>14</td><td>13</td><td></td><td></td><td></td><td>10</td><td>9</td><td>8</td><td>7</td><td>6</td><td>5</td><td>4</td><td></td><td></td><td></td></tr> </table>							67		65				61	60	59	58	57			54	53		51	50	49	48	47	46	45			43	42		40	39		37			34	33		73			32	31	30					26		24	23	22	21	20								16	15	14	13				10	9	8	7	6	5	4			
					67		65				61	60	59	58	57			54	53																																																																							
	51	50	49	48	47	46	45			43	42		40	39		37			34	33																																																																						
	73			32	31	30					26		24	23	22	21	20																																																																									
				16	15	14	13				10	9	8	7	6	5	4																																																																									
AVAILABLE	NOT APPLICABLE	34566-1613	0	H	ST GRY	<table border="1"> <tr><td></td><td>79</td><td>78</td><td>77</td><td>76</td><td>75</td><td>74</td><td>73</td><td>72</td><td>71</td><td>70</td><td>69</td><td>68</td><td></td><td>66</td><td>65</td><td>64</td><td>63</td><td></td><td>61</td></tr> <tr><td>60</td><td>59</td><td>58</td><td>57</td><td>56</td><td></td><td></td><td>53</td><td></td><td></td><td>50</td><td></td><td></td><td></td><td></td><td></td><td>44</td><td>43</td><td></td><td>41</td></tr> <tr><td>40</td><td>39</td><td>38</td><td>37</td><td></td><td>35</td><td>34</td><td>33</td><td>32</td><td></td><td>30</td><td>29</td><td></td><td>27</td><td>26</td><td></td><td>24</td><td>23</td><td>22</td><td>21</td></tr> <tr><td>20</td><td>19</td><td>18</td><td>17</td><td></td><td></td><td>14</td><td>13</td><td>12</td><td>11</td><td>10</td><td>9</td><td>8</td><td></td><td>6</td><td>5</td><td></td><td>3</td><td>2</td><td></td></tr> </table>			79	78	77	76	75	74	73	72	71	70	69	68		66	65	64	63		61	60	59	58	57	56			53			50						44	43		41	40	39	38	37		35	34	33	32		30	29		27	26		24	23	22	21	20	19	18	17			14	13	12	11	10	9	8		6	5		3	2				
	79	78	77	76	75	74	73	72	71	70	69	68		66	65	64	63		61																																																																							
60	59	58	57	56			53			50						44	43		41																																																																							
40	39	38	37		35	34	33	32		30	29		27	26		24	23	22	21																																																																							
20	19	18	17			14	13	12	11	10	9	8		6	5		3	2																																																																								
AVAILABLE	NOT APPLICABLE	34566-1623	0	B	ST GRY	<table border="1"> <tr><td></td><td></td><td></td><td></td><td></td><td></td><td></td><td>66</td><td>65</td><td></td><td></td><td>62</td><td></td><td></td><td>59</td><td>57</td><td>55</td><td>53</td><td></td><td></td></tr> <tr><td></td><td></td><td></td><td></td><td>48</td><td>47</td><td></td><td></td><td></td><td></td><td></td><td>42</td><td></td><td></td><td>39</td><td>37</td><td>35</td><td>33</td><td></td><td></td></tr> <tr><td></td><td colspan="2">73</td><td></td><td></td><td></td><td></td><td></td><td>29</td><td></td><td></td><td>26</td><td></td><td></td><td>23</td><td>21</td><td></td><td></td><td></td><td>17</td></tr> <tr><td></td><td></td><td></td><td></td><td></td><td></td><td></td><td></td><td>12</td><td></td><td></td><td>9</td><td></td><td>7</td><td></td><td></td><td></td><td></td><td></td><td></td></tr> </table>									66	65			62			59	57	55	53							48	47						42			39	37	35	33				73							29			26			23	21				17									12			9		7									
							66	65			62			59	57	55	53																																																																									
				48	47						42			39	37	35	33																																																																									
	73							29			26			23	21				17																																																																							
								12			9		7																																																																													
AVAILABLE	NOT APPLICABLE	34566-1633	0	B	ST GRY	<table border="1"> <tr><td></td><td></td><td></td><td>69</td><td>68</td><td></td><td>66</td><td></td><td></td><td></td><td></td><td></td><td></td><td></td><td>59</td><td>57</td><td>55</td><td>53</td><td></td><td></td></tr> <tr><td></td><td></td><td>50</td><td></td><td>48</td><td>47</td><td></td><td></td><td></td><td></td><td></td><td></td><td></td><td></td><td>39</td><td>37</td><td>35</td><td>33</td><td></td><td></td></tr> <tr><td></td><td colspan="2">73</td><td></td><td></td><td></td><td></td><td>29</td><td></td><td></td><td></td><td></td><td></td><td></td><td>23</td><td>21</td><td></td><td></td><td></td><td>17</td></tr> <tr><td></td><td></td><td></td><td></td><td></td><td>15</td><td></td><td></td><td>12</td><td>11</td><td>10</td><td></td><td></td><td>7</td><td>6</td><td>5</td><td>4</td><td>3</td><td></td><td></td></tr> </table>					69	68		66								59	57	55	53					50		48	47									39	37	35	33				73						29							23	21				17						15			12	11	10			7	6	5	4	3					
			69	68		66								59	57	55	53																																																																									
		50		48	47									39	37	35	33																																																																									
	73						29							23	21				17																																																																							
					15			12	11	10			7	6	5	4	3																																																																									
AVAILABLE	NOT APPLICABLE	34566-1643	0	B	ST GRY	<table border="1"> <tr><td></td><td></td><td></td><td>69</td><td>68</td><td></td><td>66</td><td></td><td></td><td></td><td></td><td></td><td></td><td></td><td>59</td><td>57</td><td>55</td><td>53</td><td></td><td></td></tr> <tr><td></td><td></td><td>50</td><td></td><td>48</td><td>46</td><td></td><td></td><td></td><td></td><td></td><td></td><td></td><td></td><td>39</td><td>37</td><td>35</td><td>33</td><td></td><td></td></tr> <tr><td></td><td colspan="2">73</td><td></td><td></td><td></td><td></td><td>29</td><td></td><td></td><td></td><td></td><td></td><td></td><td>23</td><td>21</td><td></td><td></td><td></td><td>17</td></tr> <tr><td></td><td></td><td></td><td></td><td></td><td>15</td><td></td><td></td><td>12</td><td>11</td><td>10</td><td></td><td></td><td>7</td><td>6</td><td>5</td><td>4</td><td>3</td><td></td><td></td></tr> </table>					69	68		66								59	57	55	53					50		48	46									39	37	35	33				73						29							23	21				17						15			12	11	10			7	6	5	4	3					
			69	68		66								59	57	55	53																																																																									
		50		48	46									39	37	35	33																																																																									
	73						29							23	21				17																																																																							
					15			12	11	10			7	6	5	4	3																																																																									
AVAILABLE	NOT APPLICABLE	34566-1653	0	B	ST GRY	<table border="1"> <tr><td></td><td></td><td></td><td></td><td></td><td></td><td>66</td><td></td><td></td><td></td><td></td><td></td><td></td><td></td><td>59</td><td>57</td><td>55</td><td>53</td><td></td><td></td></tr> <tr><td></td><td></td><td>50</td><td></td><td>48</td><td>46</td><td></td><td></td><td></td><td></td><td></td><td></td><td></td><td></td><td>39</td><td>37</td><td>35</td><td>33</td><td></td><td></td></tr> <tr><td></td><td colspan="2">73</td><td></td><td></td><td></td><td></td><td>29</td><td></td><td></td><td></td><td></td><td></td><td></td><td>23</td><td>21</td><td></td><td></td><td></td><td>17</td></tr> <tr><td></td><td></td><td></td><td></td><td></td><td>15</td><td></td><td></td><td>12</td><td></td><td></td><td></td><td></td><td>7</td><td>6</td><td>5</td><td>4</td><td>3</td><td></td><td></td></tr> </table>								66								59	57	55	53					50		48	46									39	37	35	33				73						29							23	21				17						15			12					7	6	5	4	3					
						66								59	57	55	53																																																																									
		50		48	46									39	37	35	33																																																																									
	73						29							23	21				17																																																																							
					15			12					7	6	5	4	3																																																																									
AVAILABLE	NOT APPLICABLE	34566-1663	0	B	ST GRY	<table border="1"> <tr><td></td><td></td><td></td><td></td><td></td><td></td><td>66</td><td></td><td></td><td></td><td></td><td></td><td></td><td></td><td>59</td><td>57</td><td>55</td><td>53</td><td></td><td></td></tr> <tr><td></td><td></td><td>50</td><td></td><td>48</td><td>46</td><td></td><td></td><td></td><td></td><td></td><td></td><td></td><td></td><td>39</td><td>37</td><td>35</td><td>33</td><td></td><td></td></tr> <tr><td></td><td colspan="2">73</td><td></td><td></td><td></td><td></td><td>29</td><td></td><td></td><td></td><td></td><td></td><td></td><td>23</td><td>21</td><td></td><td></td><td></td><td>17</td></tr> <tr><td></td><td></td><td></td><td></td><td></td><td>15</td><td></td><td></td><td>12</td><td>11</td><td>10</td><td></td><td></td><td>7</td><td>6</td><td>5</td><td>4</td><td>3</td><td></td><td></td></tr> </table>								66								59	57	55	53					50		48	46									39	37	35	33				73						29							23	21				17						15			12	11	10			7	6	5	4	3					
						66								59	57	55	53																																																																									
		50		48	46									39	37	35	33																																																																									
	73						29							23	21				17																																																																							
					15			12	11	10			7	6	5	4	3																																																																									
AVAILABLE	NOT APPLICABLE	34566-1673	0	A	BLACK	<table border="1"> <tr><td>72</td><td>71</td><td>70</td><td>69</td><td>68</td><td>67</td><td>66</td><td>65</td><td>64</td><td>63</td><td>62</td><td></td><td>60</td><td>59</td><td></td><td></td><td></td><td>55</td><td>54</td><td>53</td></tr> <tr><td>52</td><td></td><td></td><td>49</td><td>48</td><td></td><td></td><td>45</td><td>44</td><td>43</td><td>42</td><td>41</td><td>40</td><td>39</td><td></td><td></td><td></td><td>35</td><td>34</td><td>33</td></tr> <tr><td></td><td colspan="2">73</td><td></td><td>32</td><td></td><td></td><td>29</td><td></td><td>27</td><td></td><td>25</td><td>24</td><td>23</td><td></td><td></td><td></td><td>19</td><td>18</td><td>17</td></tr> <tr><td></td><td></td><td></td><td></td><td>16</td><td></td><td></td><td>13</td><td>12</td><td>11</td><td></td><td>9</td><td>8</td><td>7</td><td>6</td><td>5</td><td>4</td><td>3</td><td>2</td><td>1</td></tr> </table>		72	71	70	69	68	67	66	65	64	63	62		60	59				55	54	53	52			49	48			45	44	43	42	41	40	39				35	34	33		73			32			29		27		25	24	23				19	18	17					16			13	12	11		9	8	7	6	5	4	3	2	1			
72	71	70	69	68	67	66	65	64	63	62		60	59				55	54	53																																																																							
52			49	48			45	44	43	42	41	40	39				35	34	33																																																																							
	73			32			29		27		25	24	23				19	18	17																																																																							
				16			13	12	11		9	8	7	6	5	4	3	2	1																																																																							
AVAILABLE	NOT APPLICABLE	34566-1683	0	B	ST GRY	<table border="1"> <tr><td></td><td></td><td></td><td></td><td></td><td></td><td>67</td><td>66</td><td></td><td></td><td></td><td></td><td></td><td></td><td>59</td><td>58</td><td>57</td><td>56</td><td>55</td><td>53</td></tr> <tr><td></td><td></td><td>50</td><td>49</td><td>48</td><td></td><td></td><td></td><td></td><td></td><td>43</td><td></td><td></td><td></td><td>39</td><td>38</td><td>37</td><td>36</td><td>35</td><td>33</td></tr> <tr><td></td><td colspan="2">73</td><td></td><td></td><td></td><td></td><td>29</td><td></td><td>27</td><td></td><td></td><td></td><td></td><td>23</td><td>22</td><td>21</td><td></td><td></td><td></td></tr> <tr><td></td><td></td><td></td><td></td><td>16</td><td>15</td><td>14</td><td>13</td><td></td><td></td><td></td><td></td><td></td><td>8</td><td>7</td><td>6</td><td>5</td><td>4</td><td>3</td><td></td></tr> </table>								67	66							59	58	57	56	55	53			50	49	48						43				39	38	37	36	35	33		73						29		27					23	22	21								16	15	14	13						8	7	6	5	4	3				
						67	66							59	58	57	56	55	53																																																																							
		50	49	48						43				39	38	37	36	35	33																																																																							
	73						29		27					23	22	21																																																																										
				16	15	14	13						8	7	6	5	4	3																																																																								

<b>QUALITY SYMBOLS</b> ▽ <sub>F</sub> = 0 ▽ <sub>E</sub> = 0 ▽ <sub>P</sub> = 0 ▽ = 0 ▽ <sub>C</sub> = 0 ☒ = 0 ■ = 0 ▽ = 0	THIS DRAWING CONTAINS INFORMATION THAT IS PROPRIETARY TO MOLEX ELECTRONIC TECHNOLOGIES, LLC AND SHOULD NOT BE USED WITHOUT WRITTEN PERMISSION									
	2017/04/12	2017/04/21	GENERAL TOLERANCES (UNLESS SPECIFIED)		DIMENSION UNITS	SCALE	 MX123 66/73/80CKT HRNS CONN ASSY PRODUCT CUSTOMER DRAWING			
	EC NO: 115716 DRWN: TYE CHKD: REV APPR: JDENG02	4 PLACES ±		MM	1:1					
		3 PLACES ±		DRWN BY	DATE					
		2 PLACES ±		SKRAJENDRANA	2011/02/14					
		1 PLACE ±		CHKD BY	DATE					
		0 PLACES ±		MVANSLAMBROU	2011/02/14					
	DRAFT WHERE APPLICABLE MUST REMAIN WITHIN DIMENSIONS		DRAWING SIZE	THIRD ANGLE PROJECTION	SERIES		MATERIAL NUMBER		CUSTOMER	
	D		D		34566	SEE BOM TABLE		GENERAL MARKET		
	G50		D		DOCUMENT NUMBER		DOC TYPE		DOC PART SHEET NUMBER	
G50		D		SD-34566-001		PSD		000 21 OF 93		



STATUS	GM PART #	MATERIAL #	WIRE DRESS OPTION	KEY OPTION	COLOR (TPA)	NUMBERS INDICATE CAVITIES OPEN FOR CIRCUITS																																																																																		
AVAILABLE	NOT APPLICABLE	34566-1773	0	C	BLUE	<table border="1"> <tr><td>72</td><td>70</td><td></td><td>67</td><td>66</td><td></td><td>63</td><td>62</td><td></td><td>59</td><td>57</td><td></td><td></td><td>53</td></tr> <tr><td>52</td><td>51</td><td></td><td></td><td>46</td><td></td><td>44</td><td>42</td><td></td><td>40</td><td>39</td><td></td><td></td><td>34</td><td>33</td></tr> <tr><td colspan="2">73</td><td></td><td></td><td>30</td><td></td><td></td><td>27</td><td>26</td><td>25</td><td></td><td></td><td>22</td><td>21</td><td>20</td></tr> <tr><td colspan="2"></td><td></td><td></td><td>15</td><td>14</td><td></td><td></td><td>10</td><td>9</td><td></td><td></td><td>6</td><td>5</td><td>4</td></tr> </table>	72	70		67	66		63	62		59	57			53	52	51			46		44	42		40	39			34	33	73				30			27	26	25			22	21	20					15	14			10	9			6	5	4																							
72	70		67	66		63	62		59	57			53																																																																											
52	51			46		44	42		40	39			34	33																																																																										
73				30			27	26	25			22	21	20																																																																										
				15	14			10	9			6	5	4																																																																										
AVAILABLE	NOT APPLICABLE	34566-1783	0	C	BLUE	<table border="1"> <tr><td>72</td><td>70</td><td></td><td>67</td><td>66</td><td></td><td>63</td><td>62</td><td></td><td>59</td><td>57</td><td></td><td></td><td>53</td></tr> <tr><td>52</td><td>51</td><td></td><td></td><td>46</td><td></td><td>44</td><td>42</td><td></td><td>40</td><td>39</td><td></td><td></td><td>34</td><td>33</td></tr> <tr><td colspan="2">73</td><td></td><td></td><td>30</td><td></td><td></td><td>26</td><td>25</td><td></td><td></td><td></td><td>22</td><td>21</td><td>20</td></tr> <tr><td colspan="2"></td><td></td><td></td><td>15</td><td>14</td><td></td><td></td><td>10</td><td>9</td><td></td><td></td><td>6</td><td>5</td><td>4</td></tr> </table>	72	70		67	66		63	62		59	57			53	52	51			46		44	42		40	39			34	33	73				30			26	25				22	21	20					15	14			10	9			6	5	4																							
72	70		67	66		63	62		59	57			53																																																																											
52	51			46		44	42		40	39			34	33																																																																										
73				30			26	25				22	21	20																																																																										
				15	14			10	9			6	5	4																																																																										
AVAILABLE	NOT APPLICABLE	34566-1793	0	A	BLACK	<table border="1"> <tr><td></td><td></td><td></td><td>69</td><td></td><td></td><td></td><td>63</td><td>62</td><td>61</td><td></td><td></td><td>58</td><td>57</td><td>56</td><td>55</td><td>54</td><td>53</td></tr> <tr><td>52</td><td>51</td><td></td><td>49</td><td></td><td></td><td></td><td>44</td><td>43</td><td>42</td><td>41</td><td></td><td></td><td>37</td><td>36</td><td>35</td><td>34</td><td>33</td></tr> <tr><td colspan="2">73</td><td></td><td></td><td>32</td><td></td><td></td><td>29</td><td>28</td><td>27</td><td>26</td><td></td><td></td><td></td><td></td><td>19</td><td>18</td><td></td></tr> <tr><td colspan="2"></td><td></td><td></td><td>16</td><td></td><td></td><td>13</td><td>12</td><td>11</td><td>10</td><td></td><td></td><td></td><td></td><td>3</td><td></td><td></td></tr> </table>				69				63	62	61			58	57	56	55	54	53	52	51		49				44	43	42	41			37	36	35	34	33	73				32			29	28	27	26					19	18						16			13	12	11	10					3												
			69				63	62	61			58	57	56	55	54	53																																																																							
52	51		49				44	43	42	41			37	36	35	34	33																																																																							
73				32			29	28	27	26					19	18																																																																								
				16			13	12	11	10					3																																																																									
AVAILABLE	NOT APPLICABLE	34566-1813	0	B	ST GRY	<table border="1"> <tr><td>72</td><td>71</td><td>70</td><td></td><td>68</td><td>67</td><td>66</td><td></td><td></td><td></td><td>62</td><td>61</td><td>60</td><td>59</td><td>58</td><td>57</td><td>56</td><td>55</td><td>54</td><td>53</td></tr> <tr><td>52</td><td>51</td><td>50</td><td></td><td>48</td><td>47</td><td>46</td><td></td><td></td><td></td><td>42</td><td>41</td><td>40</td><td>39</td><td>38</td><td>37</td><td>36</td><td>35</td><td>34</td><td>33</td></tr> <tr><td colspan="2">73</td><td></td><td></td><td>32</td><td>31</td><td>30</td><td>29</td><td>28</td><td>27</td><td>26</td><td>25</td><td>24</td><td>23</td><td></td><td></td><td></td><td></td><td></td><td></td></tr> <tr><td colspan="2"></td><td></td><td></td><td>16</td><td>15</td><td>14</td><td>13</td><td></td><td></td><td>10</td><td>9</td><td>8</td><td></td><td></td><td></td><td></td><td></td><td></td><td></td></tr> </table>	72	71	70		68	67	66				62	61	60	59	58	57	56	55	54	53	52	51	50		48	47	46				42	41	40	39	38	37	36	35	34	33	73				32	31	30	29	28	27	26	25	24	23											16	15	14	13			10	9	8									
72	71	70		68	67	66				62	61	60	59	58	57	56	55	54	53																																																																					
52	51	50		48	47	46				42	41	40	39	38	37	36	35	34	33																																																																					
73				32	31	30	29	28	27	26	25	24	23																																																																											
				16	15	14	13			10	9	8																																																																												
AVAILABLE	NOT APPLICABLE	34566-1823	0	A	BLACK	<table border="1"> <tr><td>72</td><td>71</td><td>70</td><td>69</td><td>68</td><td></td><td>66</td><td>65</td><td>64</td><td></td><td></td><td>61</td><td></td><td>59</td><td>58</td><td></td><td>56</td><td></td><td>54</td><td>53</td></tr> <tr><td>52</td><td></td><td>50</td><td>49</td><td></td><td>47</td><td></td><td></td><td></td><td></td><td>42</td><td>41</td><td></td><td></td><td>38</td><td>37</td><td>36</td><td></td><td>34</td><td>33</td></tr> <tr><td colspan="2">73</td><td></td><td></td><td>32</td><td>31</td><td>30</td><td>29</td><td>28</td><td>27</td><td>26</td><td></td><td>24</td><td>23</td><td>22</td><td>21</td><td>20</td><td>19</td><td>18</td><td>17</td></tr> <tr><td colspan="2"></td><td></td><td></td><td>16</td><td></td><td></td><td>13</td><td>12</td><td>11</td><td>10</td><td>9</td><td>8</td><td></td><td></td><td></td><td></td><td></td><td></td><td>1</td></tr> </table>	72	71	70	69	68		66	65	64			61		59	58		56		54	53	52		50	49		47					42	41			38	37	36		34	33	73				32	31	30	29	28	27	26		24	23	22	21	20	19	18	17					16			13	12	11	10	9	8							1		
72	71	70	69	68		66	65	64			61		59	58		56		54	53																																																																					
52		50	49		47					42	41			38	37	36		34	33																																																																					
73				32	31	30	29	28	27	26		24	23	22	21	20	19	18	17																																																																					
				16			13	12	11	10	9	8							1																																																																					
AVAILABLE	NOT APPLICABLE	34566-1833	0	A	BLACK	<table border="1"> <tr><td></td><td></td><td></td><td></td><td>68</td><td></td><td></td><td>65</td><td></td><td>63</td><td></td><td>61</td><td></td><td>59</td><td>58</td><td></td><td>56</td><td></td><td></td><td></td></tr> <tr><td>52</td><td></td><td>50</td><td></td><td></td><td>47</td><td></td><td></td><td></td><td></td><td>41</td><td></td><td></td><td></td><td>38</td><td>37</td><td>36</td><td></td><td>34</td><td>33</td></tr> <tr><td colspan="2">73</td><td></td><td></td><td>32</td><td>31</td><td>30</td><td>29</td><td>28</td><td>27</td><td></td><td>25</td><td>24</td><td>23</td><td></td><td></td><td>20</td><td>19</td><td>18</td><td>17</td></tr> <tr><td colspan="2"></td><td></td><td></td><td>16</td><td></td><td></td><td>13</td><td>12</td><td>11</td><td>10</td><td></td><td></td><td></td><td></td><td></td><td></td><td></td><td></td><td>1</td></tr> </table>					68			65		63		61		59	58		56				52		50			47					41				38	37	36		34	33	73				32	31	30	29	28	27		25	24	23			20	19	18	17					16			13	12	11	10									1		
				68			65		63		61		59	58		56																																																																								
52		50			47					41				38	37	36		34	33																																																																					
73				32	31	30	29	28	27		25	24	23			20	19	18	17																																																																					
				16			13	12	11	10									1																																																																					
AVAILABLE	NOT APPLICABLE	34566-1843	0	A	BLACK	<table border="1"> <tr><td></td><td></td><td></td><td></td><td>68</td><td></td><td></td><td>65</td><td></td><td>63</td><td></td><td>61</td><td></td><td>59</td><td>58</td><td></td><td>56</td><td></td><td></td><td>53</td></tr> <tr><td>52</td><td></td><td>50</td><td></td><td></td><td>47</td><td></td><td></td><td></td><td></td><td>41</td><td></td><td></td><td></td><td>38</td><td>37</td><td>36</td><td>35</td><td>34</td><td>33</td></tr> <tr><td colspan="2">73</td><td></td><td></td><td>32</td><td>31</td><td>30</td><td>29</td><td>28</td><td>27</td><td></td><td>24</td><td>23</td><td>22</td><td>21</td><td>20</td><td>19</td><td>18</td><td>17</td><td></td></tr> <tr><td colspan="2"></td><td></td><td></td><td>16</td><td>15</td><td>14</td><td>13</td><td>12</td><td>11</td><td>10</td><td></td><td></td><td></td><td></td><td></td><td></td><td></td><td></td><td>1</td></tr> </table>					68			65		63		61		59	58		56			53	52		50			47					41				38	37	36	35	34	33	73				32	31	30	29	28	27		24	23	22	21	20	19	18	17						16	15	14	13	12	11	10									1		
				68			65		63		61		59	58		56			53																																																																					
52		50			47					41				38	37	36	35	34	33																																																																					
73				32	31	30	29	28	27		24	23	22	21	20	19	18	17																																																																						
				16	15	14	13	12	11	10									1																																																																					
AVAILABLE	NOT APPLICABLE	34566-1853	0	A	BLACK	<table border="1"> <tr><td>72</td><td></td><td>70</td><td>69</td><td>68</td><td>67</td><td></td><td>65</td><td></td><td>63</td><td></td><td>61</td><td>60</td><td></td><td></td><td>57</td><td>56</td><td>55</td><td>54</td><td>53</td></tr> <tr><td>52</td><td></td><td>50</td><td>49</td><td>48</td><td>47</td><td></td><td></td><td>44</td><td>43</td><td></td><td>41</td><td>40</td><td></td><td></td><td>37</td><td>36</td><td>35</td><td>34</td><td>33</td></tr> <tr><td colspan="2">73</td><td></td><td></td><td></td><td></td><td></td><td>30</td><td>29</td><td>28</td><td></td><td>25</td><td>24</td><td></td><td></td><td>21</td><td>20</td><td>19</td><td>18</td><td>17</td></tr> <tr><td colspan="2"></td><td></td><td></td><td></td><td></td><td></td><td>16</td><td>15</td><td></td><td></td><td>11</td><td>10</td><td>9</td><td>8</td><td>7</td><td>6</td><td>5</td><td>4</td><td>3</td><td>2</td><td>1</td></tr> </table>	72		70	69	68	67		65		63		61	60			57	56	55	54	53	52		50	49	48	47			44	43		41	40			37	36	35	34	33	73							30	29	28		25	24			21	20	19	18	17								16	15			11	10	9	8	7	6	5	4	3	2	1
72		70	69	68	67		65		63		61	60			57	56	55	54	53																																																																					
52		50	49	48	47			44	43		41	40			37	36	35	34	33																																																																					
73							30	29	28		25	24			21	20	19	18	17																																																																					
							16	15			11	10	9	8	7	6	5	4	3	2	1																																																																			
AVAILABLE	NOT APPLICABLE	34566-1863	0	B	ST GRY	<table border="1"> <tr><td></td><td></td><td></td><td></td><td>68</td><td>67</td><td>66</td><td>65</td><td>64</td><td>63</td><td></td><td></td><td></td><td></td><td></td><td></td><td></td><td></td><td></td><td></td></tr> <tr><td colspan="2">73</td><td></td><td></td><td></td><td>46</td><td>45</td><td></td><td>43</td><td></td><td></td><td></td><td></td><td></td><td></td><td></td><td></td><td></td><td></td><td>17</td></tr> <tr><td colspan="2"></td><td></td><td></td><td></td><td>32</td><td>30</td><td>29</td><td>28</td><td>27</td><td></td><td></td><td></td><td></td><td></td><td></td><td></td><td></td><td></td><td></td></tr> <tr><td colspan="2"></td><td></td><td></td><td></td><td>16</td><td></td><td></td><td></td><td>10</td><td></td><td></td><td></td><td></td><td></td><td></td><td></td><td></td><td></td><td></td></tr> </table>					68	67	66	65	64	63											73					46	45		43											17						32	30	29	28	27																16				10												
				68	67	66	65	64	63																																																																															
73					46	45		43											17																																																																					
					32	30	29	28	27																																																																															
					16				10																																																																															

<b>QUALITY SYMBOLS</b> = 0 = 0 = 0 = 0 = 0 = 0 = 0 = 0 = 0	THIS DRAWING CONTAINS INFORMATION THAT IS PROPRIETARY TO MOLEX ELECTRONIC TECHNOLOGIES, LLC AND SHOULD NOT BE USED WITHOUT WRITTEN PERMISSION										
	EC NO: 115716	DRWN: TYE	CHKD: JDENG02	REV: APPR: JDENG02	2017/04/21	2017/04/21	GENERAL TOLERANCES (UNLESS SPECIFIED)		DIMENSION UNITS	SCALE	
	4 PLACES ±		ANGULAR TOL ± °		MM	1:1	DRWN BY	DATE	SKRAJENDRANA 2011/02/14		
	3 PLACES ±						CHKD BY	DATE	MVANSLAMBROU 2011/02/14		
	2 PLACES ±						APPR BY	DATE			
	1 PLACE ±						DRAWING SIZE		THIRD ANGLE PROJECTION		
	0 PLACES ±						D				
	DRAFT WHERE APPLICABLE MUST REMAIN WITHIN DIMENSIONS										
	SERIES			MATERIAL NUMBER			CUSTOMER				
	34566			SEE BOM TABLE			GENERAL MARKET				
DOCUMENT NUMBER				DOC TYPE		DOC PART		SHEET NUMBER			
SD-34566-001				PSD		000		23 OF 93			

STATUS	GM PART #	MATERIAL #	WIRE DRESS OPTION	KEY OPTION	COLOR (TPA)	NUMBERS INDICATE CAVITIES OPEN FOR CIRCUITS																																																																																																						
AVAILABLE	NOT APPLICABLE	34566-1873	0	C	BLUE	<table border="1"> <tr><td>72</td><td>70</td><td></td><td></td><td>67</td><td>66</td><td></td><td></td><td>63</td><td>62</td><td></td><td></td><td>59</td><td>57</td><td></td><td></td><td>53</td></tr> <tr><td>52</td><td>51</td><td></td><td></td><td></td><td>46</td><td></td><td>44</td><td>42</td><td>40</td><td>39</td><td></td><td></td><td></td><td></td><td>34</td><td>33</td></tr> <tr><td colspan="2">73</td><td></td><td>32</td><td></td><td>30</td><td></td><td></td><td>27</td><td>26</td><td>25</td><td></td><td></td><td>22</td><td>21</td><td>20</td><td></td></tr> <tr><td colspan="2"></td><td></td><td></td><td>15</td><td>14</td><td></td><td></td><td></td><td>10</td><td>9</td><td></td><td></td><td>6</td><td>5</td><td>4</td><td></td></tr> </table>	72	70			67	66			63	62			59	57			53	52	51				46		44	42	40	39					34	33	73			32		30			27	26	25			22	21	20						15	14				10	9			6	5	4																																			
72	70			67	66			63	62			59	57			53																																																																																												
52	51				46		44	42	40	39					34	33																																																																																												
73			32		30			27	26	25			22	21	20																																																																																													
				15	14				10	9			6	5	4																																																																																													
AVAILABLE	NOT APPLICABLE	34566-1883	0	A	BLACK	<table border="1"> <tr><td></td><td>70</td><td></td><td>68</td><td>67</td><td>66</td><td>65</td><td></td><td></td><td></td><td></td><td></td><td></td><td>58</td><td>57</td><td></td><td>55</td></tr> <tr><td></td><td></td><td>49</td><td></td><td>47</td><td></td><td></td><td>44</td><td>43</td><td>42</td><td>41</td><td>40</td><td>39</td><td></td><td>37</td><td></td><td>35</td></tr> <tr><td colspan="2">73</td><td></td><td>32</td><td></td><td>30</td><td></td><td></td><td>27</td><td></td><td>25</td><td>24</td><td></td><td></td><td>21</td><td>20</td><td>19</td></tr> <tr><td colspan="2"></td><td></td><td></td><td>16</td><td>15</td><td></td><td>13</td><td></td><td></td><td>10</td><td>9</td><td>8</td><td></td><td>6</td><td>5</td><td>3</td></tr> <tr><td colspan="2"></td><td></td><td></td><td></td><td></td><td></td><td></td><td></td><td></td><td></td><td></td><td></td><td></td><td></td><td></td><td>2</td></tr> <tr><td colspan="2"></td><td></td><td></td><td></td><td></td><td></td><td></td><td></td><td></td><td></td><td></td><td></td><td></td><td></td><td></td><td>1</td></tr> </table>		70		68	67	66	65							58	57		55			49		47			44	43	42	41	40	39		37		35	73			32		30			27		25	24			21	20	19					16	15		13			10	9	8		6	5	3																	2																	1
	70		68	67	66	65							58	57		55																																																																																												
		49		47			44	43	42	41	40	39		37		35																																																																																												
73			32		30			27		25	24			21	20	19																																																																																												
				16	15		13			10	9	8		6	5	3																																																																																												
																2																																																																																												
																1																																																																																												
AVAILABLE	NOT APPLICABLE	34566-1893	0	C	BLUE	<table border="1"> <tr><td>72</td><td>70</td><td></td><td></td><td></td><td>66</td><td></td><td></td><td>63</td><td></td><td></td><td></td><td>59</td><td>57</td><td></td><td></td><td>53</td></tr> <tr><td>52</td><td>51</td><td></td><td></td><td></td><td>46</td><td></td><td>44</td><td>42</td><td>40</td><td>39</td><td></td><td></td><td></td><td></td><td></td><td>34</td></tr> <tr><td colspan="2">73</td><td></td><td>32</td><td></td><td>30</td><td></td><td></td><td>27</td><td>26</td><td>25</td><td></td><td></td><td>22</td><td>21</td><td>20</td><td></td></tr> <tr><td colspan="2"></td><td></td><td></td><td>15</td><td>14</td><td></td><td></td><td></td><td>10</td><td>9</td><td></td><td></td><td>6</td><td>5</td><td>4</td><td></td></tr> </table>	72	70				66			63				59	57			53	52	51				46		44	42	40	39						34	73			32		30			27	26	25			22	21	20						15	14				10	9			6	5	4																																			
72	70				66			63				59	57			53																																																																																												
52	51				46		44	42	40	39						34																																																																																												
73			32		30			27	26	25			22	21	20																																																																																													
				15	14				10	9			6	5	4																																																																																													
AVAILABLE	NOT APPLICABLE	34566-1913	0	B	ST GRY	<table border="1"> <tr><td>72</td><td>70</td><td></td><td>68</td><td></td><td>66</td><td></td><td></td><td></td><td></td><td></td><td>60</td><td>59</td><td></td><td></td><td>55</td><td>54</td><td>53</td></tr> <tr><td>52</td><td>50</td><td></td><td>48</td><td>46</td><td></td><td></td><td></td><td></td><td></td><td></td><td>40</td><td>39</td><td></td><td></td><td>35</td><td>34</td><td>33</td></tr> <tr><td colspan="2">73</td><td></td><td>32</td><td>31</td><td>30</td><td>29</td><td>28</td><td>27</td><td>26</td><td>25</td><td>24</td><td></td><td></td><td></td><td></td><td></td><td></td></tr> <tr><td colspan="2"></td><td></td><td></td><td>16</td><td></td><td></td><td></td><td></td><td></td><td>10</td><td>9</td><td>8</td><td></td><td></td><td></td><td></td><td></td></tr> </table>	72	70		68		66						60	59			55	54	53	52	50		48	46							40	39			35	34	33	73			32	31	30	29	28	27	26	25	24											16						10	9	8																																			
72	70		68		66						60	59			55	54	53																																																																																											
52	50		48	46							40	39			35	34	33																																																																																											
73			32	31	30	29	28	27	26	25	24																																																																																																	
				16						10	9	8																																																																																																
AVAILABLE	NOT APPLICABLE	34566-1923	0	A	BLACK	<table border="1"> <tr><td></td><td></td><td>69</td><td></td><td></td><td></td><td></td><td></td><td>63</td><td></td><td></td><td></td><td></td><td>58</td><td>56</td><td>55</td><td>54</td><td>53</td></tr> <tr><td>52</td><td>51</td><td></td><td>49</td><td></td><td></td><td></td><td></td><td>44</td><td>43</td><td>42</td><td>41</td><td></td><td></td><td>36</td><td>35</td><td>34</td><td>33</td></tr> <tr><td colspan="2">73</td><td></td><td>32</td><td></td><td></td><td></td><td></td><td>28</td><td></td><td>26</td><td></td><td></td><td></td><td></td><td>19</td><td>18</td><td></td></tr> <tr><td colspan="2"></td><td></td><td></td><td>16</td><td></td><td></td><td></td><td>12</td><td></td><td>10</td><td></td><td></td><td></td><td></td><td>3</td><td></td><td></td></tr> </table>			69						63					58	56	55	54	53	52	51		49					44	43	42	41			36	35	34	33	73			32					28		26					19	18						16				12		10					3																																
		69						63					58	56	55	54	53																																																																																											
52	51		49					44	43	42	41			36	35	34	33																																																																																											
73			32					28		26					19	18																																																																																												
				16				12		10					3																																																																																													
AVAILABLE	NOT APPLICABLE	34566-1933	0	A	BLACK	<table border="1"> <tr><td></td><td>70</td><td></td><td></td><td>67</td><td>66</td><td>65</td><td></td><td></td><td></td><td></td><td></td><td></td><td>58</td><td>57</td><td></td><td>55</td></tr> <tr><td></td><td></td><td>49</td><td></td><td>47</td><td></td><td></td><td>44</td><td>43</td><td>42</td><td>41</td><td>40</td><td>39</td><td></td><td>37</td><td></td><td>35</td></tr> <tr><td colspan="2">73</td><td></td><td>32</td><td></td><td>30</td><td></td><td></td><td>27</td><td></td><td>25</td><td>24</td><td></td><td></td><td>21</td><td>20</td><td>19</td></tr> <tr><td colspan="2"></td><td></td><td></td><td>16</td><td>15</td><td></td><td>13</td><td></td><td></td><td>10</td><td>9</td><td>8</td><td></td><td>6</td><td>5</td><td>3</td></tr> <tr><td colspan="2"></td><td></td><td></td><td></td><td></td><td></td><td></td><td></td><td></td><td></td><td></td><td></td><td></td><td></td><td></td><td>2</td></tr> <tr><td colspan="2"></td><td></td><td></td><td></td><td></td><td></td><td></td><td></td><td></td><td></td><td></td><td></td><td></td><td></td><td></td><td>1</td></tr> </table>		70			67	66	65							58	57		55			49		47			44	43	42	41	40	39		37		35	73			32		30			27		25	24			21	20	19					16	15		13			10	9	8		6	5	3																	2																	1
	70			67	66	65							58	57		55																																																																																												
		49		47			44	43	42	41	40	39		37		35																																																																																												
73			32		30			27		25	24			21	20	19																																																																																												
				16	15		13			10	9	8		6	5	3																																																																																												
																2																																																																																												
																1																																																																																												
AVAILABLE	NOT APPLICABLE	34566-1943	0	A	BLACK	<table border="1"> <tr><td></td><td>70</td><td></td><td></td><td>67</td><td>66</td><td>65</td><td></td><td></td><td></td><td></td><td></td><td></td><td>58</td><td>57</td><td></td><td>55</td></tr> <tr><td></td><td>51</td><td></td><td>49</td><td></td><td>47</td><td></td><td></td><td>44</td><td>43</td><td>42</td><td>41</td><td>40</td><td>39</td><td></td><td>37</td><td>35</td></tr> <tr><td colspan="2">73</td><td></td><td>32</td><td></td><td>30</td><td></td><td></td><td>27</td><td></td><td>25</td><td>24</td><td></td><td></td><td>21</td><td>20</td><td>19</td></tr> <tr><td colspan="2"></td><td></td><td></td><td>16</td><td>15</td><td></td><td>13</td><td></td><td></td><td>10</td><td>9</td><td>8</td><td></td><td>6</td><td>5</td><td>3</td></tr> <tr><td colspan="2"></td><td></td><td></td><td></td><td></td><td></td><td></td><td></td><td></td><td></td><td></td><td></td><td></td><td></td><td></td><td>2</td></tr> <tr><td colspan="2"></td><td></td><td></td><td></td><td></td><td></td><td></td><td></td><td></td><td></td><td></td><td></td><td></td><td></td><td></td><td>1</td></tr> </table>		70			67	66	65							58	57		55		51		49		47			44	43	42	41	40	39		37	35	73			32		30			27		25	24			21	20	19					16	15		13			10	9	8		6	5	3																	2																	1
	70			67	66	65							58	57		55																																																																																												
	51		49		47			44	43	42	41	40	39		37	35																																																																																												
73			32		30			27		25	24			21	20	19																																																																																												
				16	15		13			10	9	8		6	5	3																																																																																												
																2																																																																																												
																1																																																																																												
AVAILABLE	NOT APPLICABLE	34566-1953	0	C	BLUE	<table border="1"> <tr><td>72</td><td>70</td><td></td><td></td><td></td><td>66</td><td></td><td></td><td>63</td><td></td><td></td><td></td><td>59</td><td>57</td><td></td><td></td><td>53</td></tr> <tr><td>52</td><td>51</td><td></td><td></td><td>48</td><td>47</td><td>46</td><td></td><td>44</td><td>42</td><td>40</td><td>39</td><td></td><td></td><td></td><td></td><td>34</td></tr> <tr><td colspan="2">73</td><td></td><td></td><td></td><td>30</td><td></td><td></td><td></td><td>26</td><td>25</td><td></td><td></td><td>22</td><td>21</td><td>20</td><td></td></tr> <tr><td colspan="2"></td><td></td><td></td><td></td><td></td><td>15</td><td>14</td><td></td><td></td><td>10</td><td>9</td><td></td><td></td><td>6</td><td>5</td><td>4</td></tr> </table>	72	70				66			63				59	57			53	52	51			48	47	46		44	42	40	39					34	73					30				26	25			22	21	20								15	14			10	9			6	5	4																																		
72	70				66			63				59	57			53																																																																																												
52	51			48	47	46		44	42	40	39					34																																																																																												
73					30				26	25			22	21	20																																																																																													
						15	14			10	9			6	5	4																																																																																												
AVAILABLE	NOT APPLICABLE	34566-1963	0	C	BLUE	<table border="1"> <tr><td>72</td><td>70</td><td></td><td></td><td></td><td>66</td><td></td><td></td><td>63</td><td></td><td></td><td></td><td>59</td><td>57</td><td></td><td></td><td>53</td></tr> <tr><td>52</td><td>51</td><td></td><td></td><td></td><td>46</td><td></td><td>44</td><td>42</td><td>40</td><td>39</td><td></td><td></td><td></td><td></td><td></td><td>34</td></tr> <tr><td colspan="2">73</td><td></td><td></td><td></td><td>30</td><td></td><td></td><td>26</td><td>25</td><td></td><td></td><td>22</td><td>21</td><td>20</td><td></td><td></td></tr> <tr><td colspan="2"></td><td></td><td></td><td></td><td></td><td>15</td><td>14</td><td></td><td></td><td>10</td><td>9</td><td></td><td></td><td>6</td><td>5</td><td>4</td></tr> </table>	72	70				66			63				59	57			53	52	51				46		44	42	40	39						34	73					30			26	25			22	21	20									15	14			10	9			6	5	4																																		
72	70				66			63				59	57			53																																																																																												
52	51				46		44	42	40	39						34																																																																																												
73					30			26	25			22	21	20																																																																																														
						15	14			10	9			6	5	4																																																																																												

<b>QUALITY SYMBOLS</b> = 0 = 0 = 0 = 0 = 0 = 0 = 0 = 0 = 0	THIS DRAWING CONTAINS INFORMATION THAT IS PROPRIETARY TO MOLEX ELECTRONIC TECHNOLOGIES, LLC AND SHOULD NOT BE USED WITHOUT WRITTEN PERMISSION									
	2017/04/12	2017/04/21	GENERAL TOLERANCES (UNLESS SPECIFIED)		DIMENSION UNITS	SCALE				
	MM	1:1								
	DRWN BY	DATE	ANGULAR TOL ± °		DRWN BY	DATE	MX123 66/73/80CKT HRNS CONN ASSY			
	SKRAJENDRANA	2011/02/14	4 PLACES ±		CHKD BY	DATE				
	MVANSLAMBROU	2011/02/14	3 PLACES ±		APPR BY	DATE	PRODUCT CUSTOMER DRAWING			
			2 PLACES ±		APPR BY	DATE				
			1 PLACE ±		APPR BY	DATE	SERIES MATERIAL NUMBER CUSTOMER 34566 SEE BOM TABLE GENERAL MARKET			
			0 PLACES ±		APPR BY	DATE				
	EC NO: 115716	DRWN: TYE	CHKD: JDENG02	REV: APPR: JDENG02	DRAFT WHERE APPLICABLE MUST REMAIN WITHIN DIMENSIONS	DRAWING SIZE	THIRD ANGLE PROJECTION	DOCUMENT NUMBER DOC TYPE DOC PART SHEET NUMBER SD-34566-001 PSD 000 24 OF 93		
G50				D						



STATUS	GM PART #	MATERIAL #	WIRE DRESS OPTION	KEY OPTION	COLOR (TPA)	NUMBERS INDICATE CAVITIES OPEN FOR CIRCUITS																																																																																				
AVAILABLE	NOT APPLICABLE	34566-2093	0	A	BLACK	<table border="1"> <tr><td></td><td></td><td></td><td></td><td>68</td><td></td><td></td><td>65</td><td></td><td>63</td><td></td><td>61</td><td></td><td>59</td><td>58</td><td></td><td>56</td><td></td><td></td><td></td></tr> <tr><td>52</td><td></td><td>50</td><td></td><td>47</td><td></td><td></td><td></td><td></td><td></td><td>41</td><td></td><td></td><td>38</td><td>37</td><td>36</td><td></td><td>34</td><td>33</td><td></td></tr> <tr><td></td><td>73</td><td></td><td>32</td><td>31</td><td>30</td><td>29</td><td>28</td><td>27</td><td></td><td>25</td><td>24</td><td>23</td><td></td><td></td><td>20</td><td>19</td><td>18</td><td>17</td><td></td></tr> <tr><td></td><td></td><td></td><td>16</td><td></td><td></td><td>13</td><td>12</td><td>11</td><td>10</td><td>9</td><td></td><td></td><td></td><td></td><td></td><td></td><td></td><td></td><td>1</td></tr> </table>					68			65		63		61		59	58		56				52		50		47						41			38	37	36		34	33			73		32	31	30	29	28	27		25	24	23			20	19	18	17					16			13	12	11	10	9									1				
				68			65		63		61		59	58		56																																																																										
52		50		47						41			38	37	36		34	33																																																																								
	73		32	31	30	29	28	27		25	24	23			20	19	18	17																																																																								
			16			13	12	11	10	9									1																																																																							
AVAILABLE	NOT APPLICABLE	34566-2113	0	H	ST GRY	<table border="1"> <tr><td></td><td>79</td><td>78</td><td>77</td><td>76</td><td>75</td><td>74</td><td>73</td><td>72</td><td>71</td><td>70</td><td>69</td><td>68</td><td></td><td>66</td><td>65</td><td>64</td><td>63</td><td></td><td>61</td></tr> <tr><td>60</td><td>59</td><td>58</td><td>57</td><td>56</td><td>55</td><td></td><td>53</td><td>52</td><td></td><td>50</td><td></td><td></td><td></td><td></td><td></td><td>44</td><td>43</td><td>42</td><td>41</td></tr> <tr><td>40</td><td>39</td><td>38</td><td>37</td><td></td><td>35</td><td>34</td><td>33</td><td>32</td><td></td><td>30</td><td>29</td><td></td><td>27</td><td>26</td><td></td><td></td><td></td><td>22</td><td>21</td></tr> <tr><td>20</td><td>19</td><td>18</td><td>17</td><td>16</td><td></td><td>14</td><td>13</td><td>12</td><td>11</td><td>10</td><td>9</td><td>8</td><td></td><td>6</td><td>5</td><td></td><td>3</td><td>2</td><td></td></tr> </table>		79	78	77	76	75	74	73	72	71	70	69	68		66	65	64	63		61	60	59	58	57	56	55		53	52		50						44	43	42	41	40	39	38	37		35	34	33	32		30	29		27	26				22	21	20	19	18	17	16		14	13	12	11	10	9	8		6	5		3	2					
	79	78	77	76	75	74	73	72	71	70	69	68		66	65	64	63		61																																																																							
60	59	58	57	56	55		53	52		50						44	43	42	41																																																																							
40	39	38	37		35	34	33	32		30	29		27	26				22	21																																																																							
20	19	18	17	16		14	13	12	11	10	9	8		6	5		3	2																																																																								
AVAILABLE	NOT APPLICABLE	34566-2123	0	H	ST GRY	<table border="1"> <tr><td></td><td>79</td><td>78</td><td>77</td><td>76</td><td>75</td><td>74</td><td>73</td><td>72</td><td>71</td><td>70</td><td>69</td><td>68</td><td></td><td>66</td><td>65</td><td>64</td><td>63</td><td></td><td>61</td></tr> <tr><td>60</td><td>59</td><td>58</td><td>57</td><td>56</td><td>55</td><td></td><td>53</td><td>52</td><td></td><td>50</td><td></td><td></td><td></td><td></td><td></td><td>44</td><td>43</td><td>42</td><td>41</td></tr> <tr><td>40</td><td>39</td><td>38</td><td>37</td><td></td><td>35</td><td>34</td><td>33</td><td>32</td><td></td><td>30</td><td>29</td><td></td><td>27</td><td>26</td><td></td><td></td><td></td><td>22</td><td>21</td></tr> <tr><td>20</td><td>19</td><td>18</td><td>17</td><td>16</td><td></td><td></td><td>13</td><td>12</td><td></td><td></td><td></td><td>8</td><td></td><td>6</td><td>5</td><td></td><td>3</td><td>2</td><td></td></tr> </table>		79	78	77	76	75	74	73	72	71	70	69	68		66	65	64	63		61	60	59	58	57	56	55		53	52		50						44	43	42	41	40	39	38	37		35	34	33	32		30	29		27	26				22	21	20	19	18	17	16			13	12				8		6	5		3	2					
	79	78	77	76	75	74	73	72	71	70	69	68		66	65	64	63		61																																																																							
60	59	58	57	56	55		53	52		50						44	43	42	41																																																																							
40	39	38	37		35	34	33	32		30	29		27	26				22	21																																																																							
20	19	18	17	16			13	12				8		6	5		3	2																																																																								
AVAILABLE	NOT APPLICABLE	34566-2133	0	B	ST GRY	<table border="1"> <tr><td></td><td>71</td><td>70</td><td></td><td></td><td></td><td></td><td>65</td><td>64</td><td></td><td></td><td></td><td></td><td>60</td><td>59</td><td>58</td><td>57</td><td></td><td>55</td><td>54</td><td>53</td></tr> <tr><td></td><td>51</td><td>50</td><td>49</td><td>48</td><td></td><td>46</td><td>45</td><td></td><td>43</td><td></td><td>41</td><td>40</td><td>39</td><td></td><td>37</td><td>36</td><td>35</td><td></td><td></td><td>33</td></tr> <tr><td></td><td></td><td>73</td><td></td><td>32</td><td>31</td><td>30</td><td></td><td></td><td></td><td></td><td></td><td>24</td><td>23</td><td>22</td><td></td><td>20</td><td></td><td></td><td></td><td></td></tr> <tr><td></td><td></td><td></td><td></td><td>16</td><td>15</td><td></td><td>13</td><td>12</td><td>11</td><td>10</td><td>9</td><td>8</td><td>7</td><td>6</td><td>5</td><td>4</td><td>3</td><td>2</td><td></td><td></td></tr> </table>		71	70					65	64					60	59	58	57		55	54	53		51	50	49	48		46	45		43		41	40	39		37	36	35			33			73		32	31	30						24	23	22		20									16	15		13	12	11	10	9	8	7	6	5	4	3	2		
	71	70					65	64					60	59	58	57		55	54	53																																																																						
	51	50	49	48		46	45		43		41	40	39		37	36	35			33																																																																						
		73		32	31	30						24	23	22		20																																																																										
				16	15		13	12	11	10	9	8	7	6	5	4	3	2																																																																								
AVAILABLE	NOT APPLICABLE	34566-2143	0	B	ST GRY	<table border="1"> <tr><td></td><td>71</td><td>70</td><td></td><td></td><td></td><td></td><td>65</td><td></td><td></td><td></td><td></td><td></td><td>60</td><td>59</td><td>58</td><td>57</td><td></td><td></td><td>54</td><td>53</td></tr> <tr><td></td><td>51</td><td>50</td><td>49</td><td>48</td><td></td><td>46</td><td>45</td><td></td><td>43</td><td></td><td>41</td><td>40</td><td>39</td><td></td><td>37</td><td>36</td><td>35</td><td></td><td></td><td>33</td></tr> <tr><td></td><td></td><td>73</td><td></td><td>32</td><td>31</td><td>30</td><td></td><td></td><td></td><td></td><td></td><td>24</td><td>23</td><td>22</td><td></td><td>20</td><td></td><td></td><td></td><td></td></tr> <tr><td></td><td></td><td></td><td></td><td>16</td><td>15</td><td></td><td>13</td><td>12</td><td>11</td><td>10</td><td>9</td><td>8</td><td>7</td><td>6</td><td>5</td><td>4</td><td></td><td></td><td></td><td></td></tr> </table>		71	70					65						60	59	58	57			54	53		51	50	49	48		46	45		43		41	40	39		37	36	35			33			73		32	31	30						24	23	22		20									16	15		13	12	11	10	9	8	7	6	5	4				
	71	70					65						60	59	58	57			54	53																																																																						
	51	50	49	48		46	45		43		41	40	39		37	36	35			33																																																																						
		73		32	31	30						24	23	22		20																																																																										
				16	15		13	12	11	10	9	8	7	6	5	4																																																																										
AVAILABLE	NOT APPLICABLE	34566-2153	0	A	BLACK	<table border="1"> <tr><td></td><td></td><td>70</td><td></td><td>68</td><td>67</td><td>66</td><td>65</td><td></td><td></td><td></td><td></td><td></td><td></td><td>58</td><td>57</td><td></td><td>55</td><td></td><td></td><td></td></tr> <tr><td></td><td></td><td></td><td>49</td><td>47</td><td>47</td><td></td><td></td><td>44</td><td>43</td><td>42</td><td>41</td><td></td><td>39</td><td></td><td>37</td><td></td><td></td><td></td><td></td><td></td></tr> <tr><td></td><td></td><td></td><td></td><td>32</td><td></td><td></td><td>30</td><td></td><td></td><td>27</td><td></td><td>25</td><td>24</td><td>23</td><td></td><td>21</td><td>20</td><td>19</td><td>18</td><td></td></tr> <tr><td></td><td></td><td></td><td></td><td></td><td></td><td></td><td>13</td><td></td><td></td><td></td><td></td><td></td><td>8</td><td></td><td>6</td><td>5</td><td>3</td><td></td><td></td><td>1</td></tr> </table>			70		68	67	66	65							58	57		55							49	47	47			44	43	42	41		39		37										32			30			27		25	24	23		21	20	19	18									13						8		6	5	3			1
		70		68	67	66	65							58	57		55																																																																									
			49	47	47			44	43	42	41		39		37																																																																											
				32			30			27		25	24	23		21	20	19	18																																																																							
							13						8		6	5	3			1																																																																						
AVAILABLE	NOT APPLICABLE	34566-2163	0	A	BLACK	<table border="1"> <tr><td></td><td></td><td>70</td><td></td><td>67</td><td>66</td><td></td><td></td><td></td><td></td><td>61</td><td></td><td></td><td></td><td>58</td><td></td><td></td><td>55</td><td>54</td><td></td><td></td></tr> <tr><td></td><td></td><td></td><td>49</td><td>47</td><td>47</td><td></td><td>45</td><td>44</td><td>43</td><td>42</td><td>41</td><td></td><td>39</td><td></td><td>37</td><td></td><td></td><td></td><td>34</td><td></td></tr> <tr><td></td><td></td><td></td><td></td><td>32</td><td></td><td></td><td></td><td></td><td>27</td><td></td><td></td><td>24</td><td></td><td></td><td>21</td><td>20</td><td>19</td><td>18</td><td>17</td><td></td></tr> <tr><td></td><td></td><td></td><td></td><td></td><td></td><td></td><td>15</td><td>13</td><td></td><td>11</td><td></td><td>9</td><td></td><td></td><td>6</td><td>5</td><td>3</td><td></td><td></td><td>1</td></tr> </table>			70		67	66					61				58			55	54						49	47	47		45	44	43	42	41		39		37				34						32					27			24			21	20	19	18	17									15	13		11		9			6	5	3			1
		70		67	66					61				58			55	54																																																																								
			49	47	47		45	44	43	42	41		39		37				34																																																																							
				32					27			24			21	20	19	18	17																																																																							
							15	13		11		9			6	5	3			1																																																																						
AVAILABLE	NOT APPLICABLE	34566-2173	0	A	BLACK	<table border="1"> <tr><td></td><td></td><td>70</td><td></td><td>67</td><td>66</td><td>65</td><td></td><td></td><td></td><td>61</td><td></td><td></td><td></td><td>58</td><td></td><td></td><td>55</td><td>54</td><td></td><td></td></tr> <tr><td></td><td></td><td></td><td>49</td><td>47</td><td>47</td><td></td><td>45</td><td>44</td><td>43</td><td>42</td><td>41</td><td></td><td>39</td><td></td><td>37</td><td></td><td></td><td></td><td>34</td><td></td></tr> <tr><td></td><td></td><td></td><td></td><td>32</td><td></td><td></td><td>30</td><td></td><td></td><td>27</td><td></td><td>25</td><td>24</td><td></td><td>21</td><td>20</td><td>19</td><td>18</td><td>17</td><td></td></tr> <tr><td></td><td></td><td></td><td></td><td></td><td></td><td></td><td>15</td><td>13</td><td></td><td>11</td><td></td><td>9</td><td>8</td><td></td><td>6</td><td>5</td><td>3</td><td></td><td></td><td>1</td></tr> </table>			70		67	66	65				61				58			55	54						49	47	47		45	44	43	42	41		39		37				34						32			30			27		25	24		21	20	19	18	17									15	13		11		9	8		6	5	3			1
		70		67	66	65				61				58			55	54																																																																								
			49	47	47		45	44	43	42	41		39		37				34																																																																							
				32			30			27		25	24		21	20	19	18	17																																																																							
							15	13		11		9	8		6	5	3			1																																																																						
AVAILABLE	NOT APPLICABLE	34566-2183	0	A	BLACK	<table border="1"> <tr><td></td><td></td><td>70</td><td></td><td>67</td><td>66</td><td>65</td><td></td><td></td><td></td><td></td><td></td><td></td><td></td><td>58</td><td>57</td><td></td><td>55</td><td></td><td></td><td></td></tr> <tr><td></td><td></td><td></td><td>49</td><td>47</td><td>47</td><td></td><td>44</td><td>43</td><td>42</td><td>41</td><td></td><td>39</td><td></td><td>37</td><td></td><td></td><td></td><td></td><td></td><td></td></tr> <tr><td></td><td></td><td></td><td></td><td>32</td><td></td><td></td><td></td><td></td><td>27</td><td></td><td></td><td>24</td><td></td><td></td><td>21</td><td>20</td><td>19</td><td>18</td><td>17</td><td></td></tr> <tr><td></td><td></td><td></td><td></td><td></td><td></td><td></td><td>15</td><td>13</td><td></td><td></td><td>9</td><td></td><td></td><td>6</td><td>5</td><td>3</td><td></td><td></td><td></td><td>1</td></tr> </table>			70		67	66	65								58	57		55							49	47	47		44	43	42	41		39		37											32					27			24			21	20	19	18	17									15	13			9			6	5	3				1
		70		67	66	65								58	57		55																																																																									
			49	47	47		44	43	42	41		39		37																																																																												
				32					27			24			21	20	19	18	17																																																																							
							15	13			9			6	5	3				1																																																																						


<b>QUALITY SYMBOLS</b> = 0 = 0 = 0 = 0 = 0 = 0 = 0 = 0 = 0	THIS DRAWING CONTAINS INFORMATION THAT IS PROPRIETARY TO MOLEX ELECTRONIC TECHNOLOGIES, LLC AND SHOULD NOT BE USED WITHOUT WRITTEN PERMISSION										
	2017/04/12	2017/04/21	GENERAL TOLERANCES (UNLESS SPECIFIED)		DIMENSION UNITS	SCALE					
	DRWN: TYE		ANGULAR TOL ± °		MM	1:1					
	CHKD:		4 PLACES ±		DRWN BY	DATE					
	REV: JDENG02		3 PLACES ±		SKRAJENDRANA	2011/02/14					
			2 PLACES ±		CHKD BY	DATE					
			1 PLACE ±		MVANSLAMBROU	2011/02/14					
			0 PLACES ±		APPR BY	DATE					
			DRAFT WHERE APPLICABLE MUST REMAIN WITHIN DIMENSIONS		DRAWING SIZE	THIRD ANGLE PROJECTION					
					D						
EC NO: 115716		G50		SERIES		MATERIAL NUMBER		CUSTOMER			
				34566		SEE BOM TABLE		GENERAL MARKET			
				DOCUMENT NUMBER		DOC TYPE		DOC PART		SHEET NUMBER	
				SD-34566-001		PSD		000		26 OF 93	

STATUS	GM PART #	MATERIAL #	WIRE DRESS OPTION	KEY OPTION	COLOR (TPA)	NUMBERS INDICATE CAVITIES OPEN FOR CIRCUITS																																																																																		
AVAILABLE	NOT APPLICABLE	34566-2193	0	A	BLACK	<table border="1"> <tr><td></td><td></td><td>70</td><td></td><td>67</td><td>66</td><td>65</td><td></td><td></td><td></td><td></td><td></td><td>58</td><td>57</td><td></td><td>55</td><td></td><td></td></tr> <tr><td></td><td></td><td></td><td>49</td><td>47</td><td></td><td></td><td>44</td><td>43</td><td>42</td><td>41</td><td></td><td>39</td><td>37</td><td></td><td></td><td></td><td></td></tr> <tr><td></td><td>73</td><td></td><td></td><td>32</td><td>30</td><td></td><td></td><td>27</td><td></td><td>25</td><td>24</td><td></td><td>21</td><td>20</td><td>19</td><td>18</td><td>17</td></tr> <tr><td></td><td></td><td></td><td></td><td>15</td><td></td><td>13</td><td></td><td></td><td></td><td>9</td><td>8</td><td></td><td>6</td><td>5</td><td></td><td>3</td><td>1</td></tr> </table>			70		67	66	65						58	57		55						49	47			44	43	42	41		39	37						73			32	30			27		25	24		21	20	19	18	17					15		13				9	8		6	5		3	1										
		70		67	66	65						58	57		55																																																																									
			49	47			44	43	42	41		39	37																																																																											
	73			32	30			27		25	24		21	20	19	18	17																																																																							
				15		13				9	8		6	5		3	1																																																																							
AVAILABLE	NOT APPLICABLE	34566-2213	9	H	ST GRY	<table border="1"> <tr><td></td><td>79</td><td>78</td><td>77</td><td>76</td><td>75</td><td>74</td><td>73</td><td>72</td><td>71</td><td>70</td><td>69</td><td>68</td><td></td><td>66</td><td>65</td><td>64</td><td>63</td><td>61</td></tr> <tr><td>60</td><td>59</td><td>58</td><td>57</td><td>56</td><td></td><td></td><td>53</td><td>52</td><td></td><td>50</td><td></td><td></td><td></td><td></td><td></td><td>44</td><td>43</td><td>41</td></tr> <tr><td>40</td><td>39</td><td>38</td><td>37</td><td></td><td>35</td><td>34</td><td>33</td><td>32</td><td></td><td>30</td><td>29</td><td></td><td>27</td><td>26</td><td></td><td>24</td><td>23</td><td>22</td><td>21</td></tr> <tr><td>20</td><td>19</td><td>18</td><td>17</td><td></td><td></td><td>14</td><td>13</td><td>12</td><td>11</td><td>10</td><td>9</td><td>8</td><td></td><td>6</td><td>5</td><td></td><td>3</td><td>2</td><td></td></tr> </table>		79	78	77	76	75	74	73	72	71	70	69	68		66	65	64	63	61	60	59	58	57	56			53	52		50						44	43	41	40	39	38	37		35	34	33	32		30	29		27	26		24	23	22	21	20	19	18	17			14	13	12	11	10	9	8		6	5		3	2					
	79	78	77	76	75	74	73	72	71	70	69	68		66	65	64	63	61																																																																						
60	59	58	57	56			53	52		50						44	43	41																																																																						
40	39	38	37		35	34	33	32		30	29		27	26		24	23	22	21																																																																					
20	19	18	17			14	13	12	11	10	9	8		6	5		3	2																																																																						
AVAILABLE	NOT APPLICABLE	34566-2223	0	A	BLACK	<table border="1"> <tr><td>72</td><td>71</td><td>70</td><td>69</td><td>68</td><td>67</td><td>66</td><td></td><td>64</td><td>63</td><td>62</td><td></td><td>60</td><td>59</td><td></td><td></td><td>55</td><td>54</td><td>53</td></tr> <tr><td>52</td><td></td><td></td><td>49</td><td>48</td><td></td><td>46</td><td></td><td>44</td><td>43</td><td>42</td><td></td><td>40</td><td>39</td><td></td><td></td><td>35</td><td>34</td><td>33</td></tr> <tr><td></td><td></td><td></td><td></td><td></td><td>32</td><td></td><td>29</td><td></td><td>27</td><td></td><td></td><td>24</td><td>23</td><td></td><td></td><td>19</td><td>18</td><td>17</td></tr> <tr><td></td><td></td><td></td><td></td><td></td><td>16</td><td></td><td>14</td><td>13</td><td>21</td><td>11</td><td></td><td>9</td><td>8</td><td>7</td><td>6</td><td>5</td><td>4</td><td>3</td><td>2</td><td>1</td></tr> </table>	72	71	70	69	68	67	66		64	63	62		60	59			55	54	53	52			49	48		46		44	43	42		40	39			35	34	33						32		29		27			24	23			19	18	17						16		14	13	21	11		9	8	7	6	5	4	3	2	1				
72	71	70	69	68	67	66		64	63	62		60	59			55	54	53																																																																						
52			49	48		46		44	43	42		40	39			35	34	33																																																																						
					32		29		27			24	23			19	18	17																																																																						
					16		14	13	21	11		9	8	7	6	5	4	3	2	1																																																																				
AVAILABLE	NOT APPLICABLE	34566-2233	0	A	BLACK	<table border="1"> <tr><td></td><td></td><td></td><td>69</td><td></td><td></td><td></td><td></td><td>63</td><td></td><td></td><td></td><td></td><td>58</td><td></td><td>56</td><td></td><td>54</td></tr> <tr><td>52</td><td>51</td><td></td><td>49</td><td></td><td></td><td></td><td></td><td>44</td><td>43</td><td>42</td><td>41</td><td></td><td></td><td></td><td>36</td><td>35</td><td>34</td><td>33</td></tr> <tr><td></td><td></td><td></td><td></td><td></td><td>32</td><td></td><td></td><td>28</td><td></td><td>26</td><td></td><td></td><td></td><td></td><td></td><td>19</td><td>18</td><td></td></tr> <tr><td></td><td></td><td></td><td></td><td></td><td>16</td><td></td><td></td><td>12</td><td></td><td>10</td><td></td><td></td><td></td><td></td><td></td><td>3</td><td></td><td></td></tr> </table>				69					63					58		56		54	52	51		49					44	43	42	41				36	35	34	33						32			28		26						19	18							16			12		10						3									
			69					63					58		56		54																																																																							
52	51		49					44	43	42	41				36	35	34	33																																																																						
					32			28		26						19	18																																																																							
					16			12		10						3																																																																								
AVAILABLE	NOT APPLICABLE	34566-2243	0	H	ST GRY	<table border="1"> <tr><td></td><td>79</td><td>78</td><td>77</td><td>76</td><td>75</td><td>74</td><td>73</td><td>72</td><td>71</td><td>70</td><td>69</td><td>68</td><td></td><td>66</td><td>65</td><td>64</td><td>63</td><td>61</td></tr> <tr><td>60</td><td>59</td><td>58</td><td>57</td><td>56</td><td></td><td></td><td>53</td><td>52</td><td></td><td>50</td><td></td><td></td><td></td><td></td><td></td><td>44</td><td>43</td><td>41</td></tr> <tr><td>40</td><td>39</td><td>38</td><td>37</td><td></td><td>35</td><td>34</td><td>33</td><td>32</td><td></td><td>30</td><td>29</td><td></td><td>27</td><td>26</td><td></td><td>24</td><td>23</td><td>22</td><td>21</td></tr> <tr><td>20</td><td>19</td><td>18</td><td>17</td><td>16</td><td></td><td>14</td><td>13</td><td>12</td><td>11</td><td>10</td><td>9</td><td>8</td><td></td><td>6</td><td>5</td><td></td><td>3</td><td>2</td><td></td></tr> </table>		79	78	77	76	75	74	73	72	71	70	69	68		66	65	64	63	61	60	59	58	57	56			53	52		50						44	43	41	40	39	38	37		35	34	33	32		30	29		27	26		24	23	22	21	20	19	18	17	16		14	13	12	11	10	9	8		6	5		3	2					
	79	78	77	76	75	74	73	72	71	70	69	68		66	65	64	63	61																																																																						
60	59	58	57	56			53	52		50						44	43	41																																																																						
40	39	38	37		35	34	33	32		30	29		27	26		24	23	22	21																																																																					
20	19	18	17	16		14	13	12	11	10	9	8		6	5		3	2																																																																						
AVAILABLE	NOT APPLICABLE	34566-2253	0	A	BLACK	<table border="1"> <tr><td>72</td><td>71</td><td>70</td><td>69</td><td>68</td><td></td><td>66</td><td>65</td><td>64</td><td>63</td><td></td><td>61</td><td></td><td>59</td><td>58</td><td></td><td>56</td><td></td><td>54</td><td>53</td></tr> <tr><td>52</td><td></td><td>50</td><td>49</td><td></td><td>47</td><td></td><td></td><td></td><td>42</td><td>41</td><td></td><td></td><td>38</td><td>37</td><td></td><td>36</td><td></td><td>34</td><td>33</td></tr> <tr><td></td><td></td><td></td><td></td><td></td><td>32</td><td>31</td><td>30</td><td>29</td><td>28</td><td>27</td><td>26</td><td></td><td>24</td><td>23</td><td>22</td><td>21</td><td>20</td><td>19</td><td>18</td><td>17</td></tr> <tr><td></td><td></td><td></td><td></td><td></td><td>16</td><td></td><td></td><td>13</td><td>12</td><td>11</td><td>10</td><td>9</td><td>8</td><td></td><td></td><td></td><td></td><td></td><td></td><td>1</td></tr> </table>	72	71	70	69	68		66	65	64	63		61		59	58		56		54	53	52		50	49		47				42	41			38	37		36		34	33						32	31	30	29	28	27	26		24	23	22	21	20	19	18	17						16			13	12	11	10	9	8							1
72	71	70	69	68		66	65	64	63		61		59	58		56		54	53																																																																					
52		50	49		47				42	41			38	37		36		34	33																																																																					
					32	31	30	29	28	27	26		24	23	22	21	20	19	18	17																																																																				
					16			13	12	11	10	9	8							1																																																																				
AVAILABLE	NOT APPLICABLE	34566-2263	0	A	BLACK	<table border="1"> <tr><td></td><td></td><td></td><td>69</td><td></td><td></td><td></td><td></td><td>63</td><td></td><td></td><td></td><td></td><td>58</td><td></td><td>56</td><td>55</td><td>54</td><td>53</td></tr> <tr><td>52</td><td>51</td><td>50</td><td>49</td><td></td><td></td><td></td><td></td><td>44</td><td>43</td><td>42</td><td>41</td><td></td><td></td><td></td><td>36</td><td>35</td><td>34</td><td>33</td></tr> <tr><td></td><td></td><td></td><td></td><td></td><td>32</td><td></td><td></td><td>28</td><td></td><td></td><td></td><td></td><td></td><td></td><td></td><td>19</td><td>18</td><td></td></tr> <tr><td></td><td></td><td></td><td></td><td></td><td>16</td><td></td><td>14</td><td></td><td>12</td><td></td><td>10</td><td></td><td></td><td></td><td></td><td>3</td><td></td><td></td></tr> </table>				69					63					58		56	55	54	53	52	51	50	49					44	43	42	41				36	35	34	33						32			28								19	18							16		14		12		10					3								
			69					63					58		56	55	54	53																																																																						
52	51	50	49					44	43	42	41				36	35	34	33																																																																						
					32			28								19	18																																																																							
					16		14		12		10					3																																																																								
AVAILABLE	NOT APPLICABLE	34566-2273	0	A	BLACK	<table border="1"> <tr><td></td><td></td><td></td><td>69</td><td></td><td></td><td></td><td></td><td>63</td><td>62</td><td>61</td><td></td><td></td><td>58</td><td>57</td><td>56</td><td>55</td><td>54</td><td>53</td></tr> <tr><td>52</td><td>51</td><td>50</td><td>49</td><td></td><td></td><td></td><td></td><td>44</td><td>43</td><td>42</td><td>41</td><td></td><td></td><td>37</td><td>36</td><td>35</td><td>34</td><td>33</td></tr> <tr><td></td><td></td><td></td><td></td><td></td><td>32</td><td></td><td>29</td><td>28</td><td>27</td><td>26</td><td></td><td></td><td></td><td></td><td></td><td>19</td><td>18</td><td></td></tr> <tr><td></td><td></td><td></td><td></td><td></td><td>16</td><td></td><td>14</td><td>13</td><td>12</td><td>11</td><td>10</td><td></td><td></td><td></td><td></td><td>3</td><td></td><td></td></tr> </table>				69					63	62	61			58	57	56	55	54	53	52	51	50	49					44	43	42	41			37	36	35	34	33						32		29	28	27	26						19	18							16		14	13	12	11	10					3								
			69					63	62	61			58	57	56	55	54	53																																																																						
52	51	50	49					44	43	42	41			37	36	35	34	33																																																																						
					32		29	28	27	26						19	18																																																																							
					16		14	13	12	11	10					3																																																																								
AVAILABLE	NOT APPLICABLE	34566-2283	0	B	ST. GRY	<table border="1"> <tr><td></td><td></td><td></td><td></td><td>68</td><td>67</td><td>66</td><td>65</td><td>64</td><td>63</td><td></td><td></td><td></td><td></td><td></td><td></td><td>55</td><td></td><td></td></tr> <tr><td></td><td></td><td></td><td>49</td><td>48</td><td></td><td>46</td><td>45</td><td>44</td><td>43</td><td></td><td></td><td></td><td></td><td></td><td></td><td></td><td></td><td></td></tr> <tr><td></td><td></td><td></td><td></td><td>32</td><td></td><td>30</td><td>29</td><td>28</td><td>27</td><td></td><td></td><td></td><td></td><td></td><td></td><td></td><td></td><td>17</td></tr> <tr><td></td><td></td><td></td><td></td><td>16</td><td></td><td></td><td></td><td></td><td>10</td><td></td><td></td><td></td><td></td><td></td><td></td><td></td><td></td><td></td></tr> </table>					68	67	66	65	64	63							55						49	48		46	45	44	43														32		30	29	28	27									17					16					10															
				68	67	66	65	64	63							55																																																																								
			49	48		46	45	44	43																																																																															
				32		30	29	28	27									17																																																																						
				16					10																																																																															

QUALITY SYMBOLS F = 0 E = 0 P = 0 T = 0 C = 0 X = 0 M = 0 V = 0	THIS DRAWING CONTAINS INFORMATION THAT IS PROPRIETARY TO MOLEX ELECTRONIC TECHNOLOGIES, LLC AND SHOULD NOT BE USED WITHOUT WRITTEN PERMISSION		GENERAL TOLERANCES (UNLESS SPECIFIED)	DIMENSION UNITS: MM SCALE: 1:1	<b>molex</b> MX123 66/73/80CKT HRNS CONN ASSY PRODUCT CUSTOMER DRAWING
	DRWN BY: SKRAJENDRANA DATE: 2011/02/14 CHKD BY: MVANSLAMBROU DATE: 2011/02/14 APPR BY:	4 PLACES ± 3 PLACES ± 2 PLACES ± 1 PLACE ± 0 PLACES ±	DRAWING SIZE: D THIRD ANGLE PROJECTION	SERIES: 34566 MATERIAL NUMBER: SEE BOM TABLE CUSTOMER: GENERAL MARKET	
EC NO: 115716 DRWN: TYE CHKD: JDENG02 REV: APPR: JDENG02	2017/04/12 2017/04/21 G50	DRAFT WHERE APPLICABLE MUST REMAIN WITHIN DIMENSIONS		DOCUMENT NUMBER: SD-34566-001 DOC TYPE: PSD DOC PART: 000 SHEET NUMBER: 27 OF 93	RELEASE STATUS: RELEASE DATE:




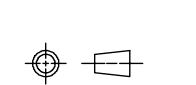
STATUS	GM PART #	MATERIAL #	WIRE DRESS OPTION	KEY OPTION ▽	COLOR (TPA) ▽	NUMBERS INDICATE CAVITIES OPEN FOR CIRCUITS ▽																																																																
AVAILABLE	NOT APPLICABLE	34566-2293	0	C	BLUE	<table border="1"> <tr><td>72</td><td>70</td><td>68</td><td>66</td><td>63</td><td>59</td><td>57</td><td>53</td></tr> <tr><td>52</td><td>51</td><td>48</td><td>47</td><td>46</td><td>44</td><td>42</td><td>40</td><td>39</td><td>34</td><td>33</td></tr> <tr><td colspan="2">73</td><td></td><td>30</td><td></td><td>26</td><td>25</td><td></td><td>22</td><td>21</td><td></td></tr> <tr><td colspan="2"></td><td>15</td><td>14</td><td></td><td>10</td><td>9</td><td></td><td>6</td><td></td><td></td></tr> </table>	72	70	68	66	63	59	57	53	52	51	48	47	46	44	42	40	39	34	33	73			30		26	25		22	21				15	14		10	9		6																									
72	70	68	66	63	59	57	53																																																															
52	51	48	47	46	44	42	40	39	34	33																																																												
73			30		26	25		22	21																																																													
		15	14		10	9		6																																																														
AVAILABLE	NOT APPLICABLE	34566-2313	0	C	BLUE	<table border="1"> <tr><td>72</td><td>70</td><td>66</td><td>63</td><td>59</td><td>57</td><td>53</td></tr> <tr><td>52</td><td>51</td><td>46</td><td>44</td><td>42</td><td>40</td><td>39</td><td>34</td><td>33</td></tr> <tr><td colspan="2">73</td><td></td><td>30</td><td></td><td>26</td><td>25</td><td></td><td>22</td><td>21</td><td></td></tr> <tr><td colspan="2"></td><td>15</td><td>14</td><td></td><td>10</td><td>9</td><td></td><td>6</td><td></td><td></td></tr> </table>	72	70	66	63	59	57	53	52	51	46	44	42	40	39	34	33	73			30		26	25		22	21				15	14		10	9		6																												
72	70	66	63	59	57	53																																																																
52	51	46	44	42	40	39	34	33																																																														
73			30		26	25		22	21																																																													
		15	14		10	9		6																																																														
AVAILABLE	NOT APPLICABLE	34566-2323	0	C	BLUE	<table border="1"> <tr><td>72</td><td>70</td><td>68</td><td>66</td><td>63</td><td>59</td><td>57</td><td>53</td></tr> <tr><td>52</td><td>51</td><td>48</td><td>47</td><td>46</td><td>44</td><td>42</td><td>40</td><td>39</td><td>34</td><td>33</td></tr> <tr><td colspan="2">73</td><td></td><td>30</td><td></td><td>26</td><td>25</td><td></td><td>22</td><td>21</td><td>20</td></tr> <tr><td colspan="2"></td><td>15</td><td>14</td><td></td><td>10</td><td>9</td><td></td><td>6</td><td>5</td><td>4</td></tr> </table>	72	70	68	66	63	59	57	53	52	51	48	47	46	44	42	40	39	34	33	73			30		26	25		22	21	20			15	14		10	9		6	5	4																							
72	70	68	66	63	59	57	53																																																															
52	51	48	47	46	44	42	40	39	34	33																																																												
73			30		26	25		22	21	20																																																												
		15	14		10	9		6	5	4																																																												
AVAILABLE	NOT APPLICABLE	34566-2333	0	A	BLACK	<table border="1"> <tr><td>71</td><td>69</td><td>68</td><td>65</td><td>64</td><td>63</td><td>61</td><td>59</td><td>57</td><td>56</td><td>53</td></tr> <tr><td>52</td><td>50</td><td>49</td><td>47</td><td></td><td></td><td>41</td><td>39</td><td>38</td><td>37</td><td>36</td><td>34</td><td>33</td></tr> <tr><td colspan="2">73</td><td>32</td><td>31</td><td>30</td><td>29</td><td>28</td><td>27</td><td></td><td>24</td><td>23</td><td>22</td><td>20</td><td>19</td><td>18</td><td></td></tr> <tr><td colspan="2"></td><td>16</td><td></td><td></td><td>13</td><td>12</td><td>11</td><td>10</td><td>9</td><td></td><td></td><td></td><td></td><td></td><td>1</td></tr> </table>	71	69	68	65	64	63	61	59	57	56	53	52	50	49	47			41	39	38	37	36	34	33	73		32	31	30	29	28	27		24	23	22	20	19	18				16			13	12	11	10	9						1								
71	69	68	65	64	63	61	59	57	56	53																																																												
52	50	49	47			41	39	38	37	36	34	33																																																										
73		32	31	30	29	28	27		24	23	22	20	19	18																																																								
		16			13	12	11	10	9						1																																																							
AVAILABLE	NOT APPLICABLE	34566-2343	0	A	BLACK	<table border="1"> <tr><td>72</td><td>70</td><td>68</td><td>67</td><td>66</td><td>65</td><td>58</td><td>57</td><td>55</td><td></td><td></td></tr> <tr><td></td><td></td><td>49</td><td>47</td><td></td><td>44</td><td>43</td><td>42</td><td>41</td><td>39</td><td>37</td><td>35</td><td></td><td></td></tr> <tr><td colspan="2">73</td><td>32</td><td></td><td>30</td><td></td><td>27</td><td>25</td><td>24</td><td></td><td>21</td><td>20</td><td>19</td><td>18</td><td>17</td><td></td></tr> <tr><td colspan="2"></td><td></td><td>15</td><td>14</td><td>13</td><td></td><td>9</td><td>8</td><td></td><td>6</td><td>5</td><td>3</td><td></td><td></td><td>1</td></tr> </table>	72	70	68	67	66	65	58	57	55					49	47		44	43	42	41	39	37	35			73		32		30		27	25	24		21	20	19	18	17					15	14	13		9	8		6	5	3			1							
72	70	68	67	66	65	58	57	55																																																														
		49	47		44	43	42	41	39	37	35																																																											
73		32		30		27	25	24		21	20	19	18	17																																																								
			15	14	13		9	8		6	5	3			1																																																							
AVAILABLE	NOT APPLICABLE	34566-2353	0	A	BLACK	<table border="1"> <tr><td>72</td><td>70</td><td>67</td><td>66</td><td>65</td><td>58</td><td>57</td><td>55</td><td></td><td></td></tr> <tr><td></td><td></td><td>49</td><td>47</td><td></td><td>44</td><td>43</td><td>42</td><td>41</td><td>39</td><td>37</td><td>35</td><td></td><td></td></tr> <tr><td colspan="2">73</td><td>32</td><td></td><td>30</td><td></td><td>27</td><td>25</td><td>24</td><td></td><td>21</td><td>20</td><td>19</td><td>18</td><td>17</td><td></td></tr> <tr><td colspan="2"></td><td></td><td>15</td><td>14</td><td>13</td><td></td><td>9</td><td>8</td><td></td><td>6</td><td>5</td><td>3</td><td></td><td></td><td>1</td></tr> </table>	72	70	67	66	65	58	57	55					49	47		44	43	42	41	39	37	35			73		32		30		27	25	24		21	20	19	18	17					15	14	13		9	8		6	5	3			1								
72	70	67	66	65	58	57	55																																																															
		49	47		44	43	42	41	39	37	35																																																											
73		32		30		27	25	24		21	20	19	18	17																																																								
			15	14	13		9	8		6	5	3			1																																																							
AVAILABLE	NOT APPLICABLE	34566-2363	0	C	BLUE	<table border="1"> <tr><td>72</td><td>70</td><td>67</td><td>66</td><td>63</td><td>62</td><td>59</td><td>57</td><td>53</td></tr> <tr><td>52</td><td>51</td><td></td><td>46</td><td>44</td><td>42</td><td>40</td><td>39</td><td>38</td><td></td><td></td><td>34</td><td>33</td></tr> <tr><td colspan="2">73</td><td>32</td><td></td><td>30</td><td></td><td>27</td><td>26</td><td>25</td><td></td><td>22</td><td>21</td><td>20</td><td></td><td></td></tr> <tr><td colspan="2"></td><td></td><td>15</td><td>14</td><td></td><td></td><td>10</td><td>9</td><td></td><td>6</td><td>5</td><td>4</td><td></td><td></td></tr> </table>	72	70	67	66	63	62	59	57	53	52	51		46	44	42	40	39	38			34	33	73		32		30		27	26	25		22	21	20						15	14			10	9		6	5	4														
72	70	67	66	63	62	59	57	53																																																														
52	51		46	44	42	40	39	38			34	33																																																										
73		32		30		27	26	25		22	21	20																																																										
			15	14			10	9		6	5	4																																																										
AVAILABLE	NOT APPLICABLE	34566-2373	0	B	ST GRAY	<table border="1"> <tr><td>68</td><td>67</td><td>66</td><td>65</td><td>64</td><td>61</td><td>60</td><td>59</td><td>58</td><td>57</td><td>55</td><td>54</td><td>53</td></tr> <tr><td>51</td><td>50</td><td>49</td><td>48</td><td>47</td><td>46</td><td>45</td><td>43</td><td>42</td><td>41</td><td>40</td><td>39</td><td>38</td><td>37</td><td>35</td><td>34</td><td>33</td></tr> <tr><td colspan="2">73</td><td>32</td><td>31</td><td>30</td><td></td><td></td><td>26</td><td>24</td><td>23</td><td>22</td><td>21</td><td>20</td><td></td><td></td><td></td><td></td></tr> <tr><td colspan="2"></td><td>16</td><td>15</td><td>14</td><td>13</td><td></td><td></td><td>10</td><td>9</td><td>8</td><td>7</td><td>6</td><td>5</td><td>4</td><td>3</td><td>2</td></tr> </table>	68	67	66	65	64	61	60	59	58	57	55	54	53	51	50	49	48	47	46	45	43	42	41	40	39	38	37	35	34	33	73		32	31	30			26	24	23	22	21	20							16	15	14	13			10	9	8	7	6	5	4	3	2
68	67	66	65	64	61	60	59	58	57	55	54	53																																																										
51	50	49	48	47	46	45	43	42	41	40	39	38	37	35	34	33																																																						
73		32	31	30			26	24	23	22	21	20																																																										
		16	15	14	13			10	9	8	7	6	5	4	3	2																																																						
AVAILABLE	NOT APPLICABLE	34566-2383	0	B	ST GRAY	<table border="1"> <tr><td>65</td><td>59</td><td>57</td><td>55</td><td>53</td></tr> <tr><td></td><td>50</td><td>49</td><td>48</td><td>46</td><td></td><td></td><td></td><td>39</td><td>37</td><td>35</td><td>33</td></tr> <tr><td colspan="2">73</td><td></td><td></td><td>29</td><td></td><td></td><td></td><td>24</td><td>23</td><td>21</td><td></td><td></td><td></td><td></td><td></td></tr> <tr><td colspan="2"></td><td></td><td>15</td><td></td><td></td><td></td><td></td><td></td><td>7</td><td>6</td><td>5</td><td>4</td><td>3</td><td></td><td></td></tr> </table>	65	59	57	55	53		50	49	48	46				39	37	35	33	73				29				24	23	21									15						7	6	5	4	3																	
65	59	57	55	53																																																																		
	50	49	48	46				39	37	35	33																																																											
73				29				24	23	21																																																												
			15						7	6	5	4	3																																																									

<b>QUALITY SYMBOLS</b> ▽ = 0 ▽ = 0 ▽ = 0 ▽ = 0 ▽ = 0 ▽ = 0 ▽ = 0 ▽ = 0 ▽ = 0 ▽ = 0	THIS DRAWING CONTAINS INFORMATION THAT IS PROPRIETARY TO MOLEX ELECTRONIC TECHNOLOGIES, LLC AND SHOULD NOT BE USED WITHOUT WRITTEN PERMISSION									
	2017/04/12	2017/04/21	GENERAL TOLERANCES (UNLESS SPECIFIED)		DIMENSION UNITS	SCALE	 MX123 66/73/80CKT HRNS CONN ASSY			
	MM	1:1								
	DRWN BY	DATE	ANGULAR TOL ± °		SKRAJENDRANA	2011/02/14	PRODUCT CUSTOMER DRAWING SERIES: 34566 MATERIAL NUMBER: SEE BOM TABLE CUSTOMER: GENERAL MARKET			
	CHKD BY	DATE	4 PLACES ±		MVANSLAMBROU	2011/02/14				
	APPR BY	DATE	3 PLACES ±				DOCUMENT NUMBER: SD-34566-001 DOC TYPE: PSD DOC PART: 000 SHEET NUMBER: 28 OF 93			
			2 PLACES ±							
			1 PLACE ±				DRAWING SIZE: D THIRD ANGLE PROJECTION			
			0 PLACES ±							
			DRAFT WHERE APPLICABLE MUST REMAIN WITHIN DIMENSIONS							
EC NO: 115716	DRWN: TYE	CHKD: JDENG02	REV: APPR: JDENG02	G50						

STATUS	GM PART #	MATERIAL #	WIRE DRESS OPTION	KEY OPTION △ 5	COLOR (TPA) △ 5	NUMBERS INDICATE CAVITIES OPEN FOR CIRCUITS △ P																																																																																																																																																	
AVAILABLE	NOT APPLICABLE	34566-2393	0	B	ST GRY	<table border="1"> <tr><td></td><td></td><td></td><td></td><td></td><td></td><td></td><td></td><td></td><td></td><td></td><td></td><td></td><td></td><td></td><td></td><td></td><td></td><td></td><td>59</td><td>57</td><td>55</td><td>53</td></tr> <tr><td></td><td></td><td>50</td><td>49</td><td>48</td><td></td><td>46</td><td></td><td></td><td></td><td></td><td></td><td></td><td></td><td></td><td></td><td></td><td></td><td></td><td>39</td><td>37</td><td>35</td><td>33</td></tr> <tr><td></td><td></td><td>73</td><td></td><td></td><td></td><td></td><td></td><td>29</td><td></td><td></td><td></td><td></td><td></td><td></td><td></td><td></td><td></td><td></td><td>23</td><td>21</td><td></td><td>17</td></tr> <tr><td></td><td></td><td></td><td></td><td>15</td><td></td><td></td><td></td><td></td><td></td><td>12</td><td></td><td></td><td></td><td></td><td></td><td></td><td></td><td>7</td><td>6</td><td>5</td><td>4</td><td>3</td></tr> </table>																				59	57	55	53			50	49	48		46													39	37	35	33			73						29											23	21		17					15						12								7	6	5	4	3																																																					
																			59	57	55	53																																																																																																																																	
		50	49	48		46													39	37	35	33																																																																																																																																	
		73						29											23	21		17																																																																																																																																	
				15						12								7	6	5	4	3																																																																																																																																	
AVAILABLE	NOT APPLICABLE	34566-2413	0	A	BLACK	<table border="1"> <tr><td></td><td></td><td>70</td><td></td><td></td><td></td><td>67</td><td>66</td><td>65</td><td></td><td></td><td></td><td></td><td></td><td></td><td></td><td></td><td></td><td></td><td>58</td><td>57</td><td>55</td><td></td></tr> <tr><td></td><td></td><td></td><td>49</td><td></td><td></td><td>47</td><td></td><td></td><td>44</td><td>43</td><td>42</td><td>41</td><td></td><td>39</td><td></td><td></td><td></td><td></td><td>37</td><td>35</td><td></td><td></td></tr> <tr><td></td><td></td><td>73</td><td></td><td></td><td></td><td>32</td><td></td><td>30</td><td></td><td></td><td>27</td><td></td><td>25</td><td>24</td><td></td><td></td><td></td><td></td><td>21</td><td>20</td><td>19</td><td>18</td></tr> <tr><td></td><td></td><td></td><td></td><td>15</td><td>14</td><td>13</td><td></td><td></td><td></td><td></td><td></td><td></td><td>9</td><td>8</td><td></td><td></td><td></td><td>6</td><td>5</td><td></td><td>3</td><td>1</td></tr> </table>			70				67	66	65											58	57	55					49			47			44	43	42	41		39					37	35					73				32		30			27		25	24					21	20	19	18					15	14	13							9	8				6	5		3	1																																																					
		70				67	66	65											58	57	55																																																																																																																																		
			49			47			44	43	42	41		39					37	35																																																																																																																																			
		73				32		30			27		25	24					21	20	19	18																																																																																																																																	
				15	14	13							9	8				6	5		3	1																																																																																																																																	
AVAILABLE	NOT APPLICABLE	34566-2423	0	A	BLACK	<table border="1"> <tr><td></td><td></td><td></td><td></td><td></td><td></td><td></td><td></td><td></td><td></td><td></td><td></td><td></td><td></td><td></td><td></td><td></td><td></td><td>63</td><td></td><td></td><td>58</td><td>57</td><td>56</td><td>55</td><td>54</td><td>53</td></tr> <tr><td>52</td><td>51</td><td></td><td>49</td><td></td><td></td><td></td><td></td><td></td><td>44</td><td>43</td><td>42</td><td>41</td><td></td><td></td><td></td><td></td><td></td><td></td><td></td><td></td><td></td><td></td><td>36</td><td>35</td><td>34</td><td>33</td></tr> <tr><td></td><td></td><td>73</td><td></td><td></td><td></td><td>32</td><td></td><td></td><td>28</td><td>26</td><td></td><td></td><td></td><td></td><td></td><td></td><td></td><td></td><td></td><td></td><td></td><td></td><td></td><td>19</td><td>18</td><td></td></tr> <tr><td></td><td></td><td></td><td></td><td>16</td><td></td><td></td><td></td><td></td><td>12</td><td>10</td><td></td><td></td><td></td><td></td><td></td><td></td><td>7</td><td>6</td><td></td><td></td><td></td><td></td><td></td><td>3</td><td></td><td></td></tr> </table>																			63			58	57	56	55	54	53	52	51		49						44	43	42	41											36	35	34	33			73				32			28	26														19	18						16					12	10							7	6						3																																							
																		63			58	57	56	55	54	53																																																																																																																													
52	51		49						44	43	42	41											36	35	34	33																																																																																																																													
		73				32			28	26														19	18																																																																																																																														
				16					12	10							7	6						3																																																																																																																															
AVAILABLE	NOT APPLICABLE	34566-2433	0	A	BLACK	<table border="1"> <tr><td></td><td></td><td></td><td></td><td></td><td></td><td></td><td></td><td></td><td></td><td></td><td></td><td></td><td></td><td></td><td></td><td></td><td></td><td></td><td></td><td></td><td></td><td></td><td></td><td></td><td></td><td></td><td></td></tr> <tr><td>52</td><td>51</td><td></td><td>49</td><td></td><td></td><td></td><td></td><td></td><td>44</td><td>43</td><td>42</td><td>41</td><td></td><td></td><td></td><td></td><td></td><td></td><td></td><td></td><td></td><td></td><td>36</td><td>35</td><td>34</td><td>33</td></tr> <tr><td></td><td></td><td>73</td><td></td><td></td><td></td><td>32</td><td></td><td></td><td>28</td><td>26</td><td></td><td></td><td>23</td><td></td><td></td><td></td><td></td><td></td><td></td><td></td><td></td><td></td><td></td><td>19</td><td>18</td><td></td></tr> <tr><td></td><td></td><td></td><td></td><td>16</td><td></td><td></td><td></td><td></td><td>12</td><td>10</td><td></td><td></td><td></td><td>7</td><td>6</td><td></td><td></td><td></td><td></td><td></td><td></td><td></td><td></td><td>3</td><td></td><td></td><td></td></tr> </table>																													52	51		49						44	43	42	41											36	35	34	33			73				32			28	26			23											19	18						16					12	10				7	6									3																																						
52	51		49						44	43	42	41											36	35	34	33																																																																																																																													
		73				32			28	26			23											19	18																																																																																																																														
				16					12	10				7	6									3																																																																																																																															
AVAILABLE	NOT APPLICABLE	34566-2443	0	C	BLUE	<table border="1"> <tr><td></td><td></td><td></td><td></td><td></td><td></td><td></td><td></td><td></td><td></td><td></td><td></td><td></td><td></td><td></td><td></td><td></td><td></td><td></td><td></td><td></td><td></td><td></td><td></td><td></td><td></td><td></td><td></td></tr> <tr><td>72</td><td></td><td>70</td><td></td><td></td><td></td><td>68</td><td>66</td><td></td><td>63</td><td></td><td></td><td></td><td></td><td></td><td></td><td></td><td></td><td>59</td><td>57</td><td></td><td></td><td></td><td></td><td></td><td></td><td>53</td></tr> <tr><td>52</td><td>51</td><td></td><td>49</td><td></td><td></td><td>48</td><td>47</td><td>46</td><td></td><td>44</td><td></td><td></td><td></td><td></td><td>40</td><td>39</td><td></td><td></td><td></td><td></td><td></td><td></td><td></td><td></td><td></td><td>34</td><td>33</td></tr> <tr><td></td><td></td><td>73</td><td></td><td></td><td></td><td>32</td><td></td><td>30</td><td></td><td></td><td></td><td></td><td>26</td><td>25</td><td></td><td></td><td></td><td></td><td></td><td>22</td><td>21</td><td>20</td><td></td><td></td><td></td><td></td></tr> <tr><td></td><td></td><td></td><td></td><td>15</td><td>14</td><td>13</td><td></td><td></td><td></td><td></td><td></td><td></td><td>10</td><td>9</td><td></td><td></td><td></td><td></td><td>6</td><td>5</td><td>4</td><td></td><td></td><td></td><td></td><td></td></tr> </table>																													72		70				68	66		63									59	57							53	52	51		49			48	47	46		44					40	39										34	33			73				32		30					26	25						22	21	20									15	14	13							10	9					6	5	4													
72		70				68	66		63									59	57							53																																																																																																																													
52	51		49			48	47	46		44					40	39										34	33																																																																																																																												
		73				32		30					26	25						22	21	20																																																																																																																																	
				15	14	13							10	9					6	5	4																																																																																																																																		
AVAILABLE	NOT APPLICABLE	34566-2453	0	A	BLACK	<table border="1"> <tr><td></td><td></td><td></td><td></td><td></td><td></td><td></td><td></td><td></td><td></td><td></td><td></td><td></td><td></td><td></td><td></td><td></td><td></td><td></td><td></td><td></td><td></td><td></td><td></td><td></td><td></td><td></td><td></td></tr> <tr><td>52</td><td>51</td><td></td><td>49</td><td></td><td></td><td></td><td></td><td></td><td>65</td><td>64</td><td>63</td><td></td><td></td><td></td><td></td><td></td><td></td><td></td><td></td><td></td><td></td><td></td><td>58</td><td>57</td><td>56</td><td>55</td><td>54</td><td>53</td></tr> <tr><td></td><td></td><td>73</td><td></td><td></td><td></td><td>32</td><td></td><td>30</td><td></td><td>28</td><td>26</td><td></td><td></td><td></td><td>23</td><td></td><td></td><td></td><td></td><td></td><td></td><td></td><td></td><td>37</td><td>36</td><td>35</td><td>34</td><td>33</td></tr> <tr><td></td><td></td><td></td><td></td><td>16</td><td></td><td></td><td></td><td></td><td>12</td><td>10</td><td></td><td></td><td></td><td></td><td>7</td><td>6</td><td></td><td></td><td></td><td></td><td></td><td></td><td></td><td></td><td>19</td><td>18</td><td></td></tr> </table>																													52	51		49						65	64	63												58	57	56	55	54	53			73				32		30		28	26				23									37	36	35	34	33					16					12	10					7	6									19	18																																
52	51		49						65	64	63												58	57	56	55	54	53																																																																																																																											
		73				32		30		28	26				23									37	36	35	34	33																																																																																																																											
				16					12	10					7	6									19	18																																																																																																																													
AVAILABLE	NOT APPLICABLE	34566-2463	0	A	BLACK	<table border="1"> <tr><td></td><td></td><td></td><td></td><td></td><td></td><td></td><td></td><td></td><td></td><td></td><td></td><td></td><td></td><td></td><td></td><td></td><td></td><td></td><td></td><td></td><td></td><td></td><td></td><td></td><td></td><td></td><td></td><td></td></tr> <tr><td>52</td><td>51</td><td></td><td>49</td><td></td><td></td><td></td><td></td><td></td><td>65</td><td>64</td><td>63</td><td></td><td></td><td></td><td></td><td></td><td></td><td></td><td></td><td></td><td></td><td></td><td></td><td>57</td><td>56</td><td>55</td><td>54</td><td>53</td></tr> <tr><td></td><td></td><td>73</td><td></td><td></td><td></td><td>32</td><td></td><td>30</td><td>29</td><td>28</td><td>26</td><td></td><td></td><td></td><td>23</td><td></td><td></td><td></td><td></td><td></td><td></td><td></td><td></td><td></td><td>37</td><td>36</td><td>35</td><td>34</td><td>33</td></tr> <tr><td></td><td></td><td></td><td></td><td>16</td><td></td><td></td><td></td><td></td><td>12</td><td>10</td><td></td><td></td><td></td><td></td><td>7</td><td>6</td><td></td><td></td><td></td><td></td><td></td><td></td><td></td><td></td><td></td><td>19</td><td>18</td><td></td></tr> </table>																														52	51		49						65	64	63													57	56	55	54	53			73				32		30	29	28	26				23										37	36	35	34	33					16					12	10					7	6										19	18																													
52	51		49						65	64	63													57	56	55	54	53																																																																																																																											
		73				32		30	29	28	26				23										37	36	35	34	33																																																																																																																										
				16					12	10					7	6										19	18																																																																																																																												
AVAILABLE	NOT APPLICABLE	34566-2473	0	A	BLACK	<table border="1"> <tr><td></td><td></td><td></td><td></td><td></td><td></td><td></td><td></td><td></td><td></td><td></td><td></td><td></td><td></td><td></td><td></td><td></td><td></td><td></td><td></td><td></td><td></td><td></td><td></td><td></td><td></td><td></td><td></td><td></td></tr> <tr><td></td><td></td><td></td><td>70</td><td></td><td></td><td>68</td><td>67</td><td>66</td><td>65</td><td></td><td></td><td></td><td></td><td></td><td></td><td></td><td></td><td></td><td></td><td></td><td></td><td></td><td></td><td>58</td><td>57</td><td>55</td><td></td><td></td></tr> <tr><td></td><td></td><td></td><td></td><td>49</td><td></td><td>47</td><td></td><td></td><td></td><td>44</td><td>43</td><td>42</td><td>41</td><td>39</td><td></td><td></td><td></td><td></td><td></td><td></td><td></td><td></td><td></td><td>37</td><td>35</td><td></td><td></td><td></td></tr> <tr><td></td><td></td><td></td><td>73</td><td></td><td></td><td>32</td><td></td><td>30</td><td></td><td></td><td>27</td><td></td><td>25</td><td>24</td><td></td><td></td><td></td><td></td><td></td><td></td><td></td><td></td><td></td><td>21</td><td>20</td><td>19</td><td>18</td><td>17</td></tr> <tr><td></td><td></td><td></td><td></td><td></td><td></td><td>15</td><td>14</td><td>13</td><td></td><td></td><td></td><td></td><td></td><td>9</td><td>8</td><td></td><td></td><td></td><td></td><td></td><td></td><td></td><td>6</td><td>5</td><td></td><td>3</td><td></td><td>1</td></tr> </table>																																	70			68	67	66	65															58	57	55							49		47				44	43	42	41	39										37	35							73			32		30			27		25	24										21	20	19	18	17							15	14	13						9	8								6	5		3		1
			70			68	67	66	65															58	57	55																																																																																																																													
				49		47				44	43	42	41	39										37	35																																																																																																																														
			73			32		30			27		25	24										21	20	19	18	17																																																																																																																											
						15	14	13						9	8								6	5		3		1																																																																																																																											

QUALITY SYMBOLS		THIS DRAWING CONTAINS INFORMATION THAT IS PROPRIETARY TO MOLEX ELECTRONIC TECHNOLOGIES, LLC AND SHOULD NOT BE USED WITHOUT WRITTEN PERMISSION											
△ 5	= 0	2017/04/12 DRWN: TYE	2017/04/21 CHKD: JDENG02	REV APPR: JDENG02	GENERAL TOLERANCES (UNLESS SPECIFIED)		DIMENSION UNITS	SCALE					
△ E	= 0				4 PLACES ±		MM	1:1					
△ P	= 0				3 PLACES ±		DRWN BY	DATE					
▽	= 0				2 PLACES ±		SKRAJENDRANA	2011/02/14					
▽ C	= 0	1 PLACE ±		CHKD BY	DATE								
■	= 0	0 PLACES ±		MVANSLAMBROU	2011/02/14								
▽ E	= 0	DRAFT WHERE APPLICABLE MUST REMAIN WITHIN DIMENSIONS		APPR BY	DATE	DRAWING SIZE		THIRD ANGLE PROJECTION	<b>PRODUCT CUSTOMER DRAWING</b> MX123 66/73/80CKT HRNS CONN ASSY  SERIES: 34566    MATERIAL NUMBER: SEE BOM TABLE    CUSTOMER: GENERAL MARKET DOCUMENT NUMBER: SD-34566-001    DOC TYPE: PSD    DOC PART: 000    SHEET NUMBER: 29 OF 93				
△ E	= 0	D											
△ E	= 0	G50											
△ E	= 0												

STATUS	GM PART #	MATERIAL #	WIRE DRESS OPTION	KEY OPTION ▽	COLOR (TPA) ▽	NUMBERS INDICATE CAVITIES OPEN FOR CIRCUITS ▽																																																																																				
AVAILABLE	NOT APPLICABLE	34566-2483	0	A	BLACK	<table border="1"> <tr><td></td><td></td><td></td><td>69</td><td></td><td></td><td></td><td></td><td></td><td></td><td>63</td><td>62</td><td>61</td><td></td><td></td><td>58</td><td>57</td><td>56</td><td>55</td><td>54</td><td>53</td></tr> <tr><td>52</td><td>51</td><td></td><td>49</td><td></td><td></td><td></td><td></td><td></td><td>44</td><td>43</td><td>42</td><td>41</td><td></td><td></td><td></td><td>37</td><td>36</td><td>35</td><td>34</td><td>33</td></tr> <tr><td colspan="3">73</td><td>32</td><td></td><td></td><td>29</td><td>28</td><td>27</td><td>26</td><td></td><td></td><td></td><td>23</td><td></td><td></td><td></td><td>19</td><td>18</td><td></td><td></td></tr> <tr><td colspan="3">73</td><td>16</td><td></td><td></td><td>13</td><td>12</td><td>11</td><td>10</td><td></td><td></td><td>8</td><td></td><td></td><td></td><td></td><td>3</td><td></td><td></td><td></td></tr> </table>				69							63	62	61			58	57	56	55	54	53	52	51		49						44	43	42	41				37	36	35	34	33	73			32			29	28	27	26				23				19	18			73			16			13	12	11	10			8					3			
			69							63	62	61			58	57	56	55	54	53																																																																						
52	51		49						44	43	42	41				37	36	35	34	33																																																																						
73			32			29	28	27	26				23				19	18																																																																								
73			16			13	12	11	10			8					3																																																																									
AVAILABLE	NOT APPLICABLE	34566-2493 SAME AS P/N 34566-3863	0	B	ST GRY	<table border="1"> <tr><td>72</td><td>71</td><td>70</td><td></td><td>68</td><td>67</td><td>66</td><td></td><td></td><td></td><td>62</td><td>61</td><td>60</td><td>59</td><td>58</td><td>57</td><td>56</td><td>55</td><td>54</td><td>53</td></tr> <tr><td>52</td><td>51</td><td>50</td><td></td><td>48</td><td>47</td><td>46</td><td></td><td></td><td></td><td>42</td><td>41</td><td>40</td><td>39</td><td>38</td><td>37</td><td>36</td><td>35</td><td>34</td><td>33</td></tr> <tr><td colspan="3">73</td><td>32</td><td>31</td><td>30</td><td>29</td><td>28</td><td>27</td><td>26</td><td>25</td><td>24</td><td></td><td></td><td></td><td></td><td></td><td></td><td></td><td>17</td></tr> <tr><td colspan="3">73</td><td>16</td><td>15</td><td>14</td><td>13</td><td></td><td></td><td>10</td><td>8</td><td></td><td></td><td></td><td></td><td></td><td></td><td></td><td>2</td><td>1</td></tr> </table>	72	71	70		68	67	66				62	61	60	59	58	57	56	55	54	53	52	51	50		48	47	46				42	41	40	39	38	37	36	35	34	33	73			32	31	30	29	28	27	26	25	24								17	73			16	15	14	13			10	8								2	1				
72	71	70		68	67	66				62	61	60	59	58	57	56	55	54	53																																																																							
52	51	50		48	47	46				42	41	40	39	38	37	36	35	34	33																																																																							
73			32	31	30	29	28	27	26	25	24								17																																																																							
73			16	15	14	13			10	8								2	1																																																																							
AVAILABLE	NOT APPLICABLE	34566-2513	0	C	BLUE	<table border="1"> <tr><td>72</td><td></td><td>70</td><td></td><td>68</td><td>67</td><td>66</td><td></td><td></td><td>63</td><td>62</td><td></td><td></td><td>59</td><td></td><td>57</td><td></td><td></td><td></td><td>53</td></tr> <tr><td>52</td><td>51</td><td></td><td></td><td>48</td><td>47</td><td>46</td><td></td><td>44</td><td></td><td>42</td><td></td><td>40</td><td>39</td><td></td><td></td><td></td><td></td><td></td><td>34</td><td>33</td></tr> <tr><td colspan="3">73</td><td>32</td><td></td><td>30</td><td></td><td></td><td>27</td><td>26</td><td>25</td><td></td><td></td><td></td><td></td><td>22</td><td>21</td><td>20</td><td></td><td></td><td></td></tr> <tr><td colspan="3">73</td><td></td><td>15</td><td>14</td><td></td><td></td><td></td><td>10</td><td>9</td><td></td><td></td><td></td><td>6</td><td>5</td><td>4</td><td></td><td></td><td></td><td></td></tr> </table>	72		70		68	67	66			63	62			59		57				53	52	51			48	47	46		44		42		40	39						34	33	73			32		30			27	26	25					22	21	20				73				15	14				10	9				6	5	4					
72		70		68	67	66			63	62			59		57				53																																																																							
52	51			48	47	46		44		42		40	39						34	33																																																																						
73			32		30			27	26	25					22	21	20																																																																									
73				15	14				10	9				6	5	4																																																																										
AVAILABLE	NOT APPLICABLE	34566-2523	0	A	BLACK	<table border="1"> <tr><td>72</td><td>71</td><td>70</td><td>69</td><td>68</td><td>67</td><td>66</td><td>65</td><td>64</td><td>63</td><td>62</td><td></td><td>60</td><td>59</td><td></td><td></td><td></td><td></td><td>55</td><td>54</td><td>53</td></tr> <tr><td>52</td><td></td><td></td><td>49</td><td>48</td><td></td><td></td><td>45</td><td>44</td><td>43</td><td>42</td><td>41</td><td>40</td><td>39</td><td></td><td></td><td></td><td></td><td>35</td><td>34</td><td>33</td></tr> <tr><td colspan="3">73</td><td>32</td><td></td><td></td><td>29</td><td>28</td><td>27</td><td></td><td>25</td><td>24</td><td>23</td><td></td><td></td><td></td><td></td><td></td><td>19</td><td>18</td><td>17</td></tr> <tr><td colspan="3">73</td><td>16</td><td></td><td></td><td>13</td><td>12</td><td>11</td><td></td><td>9</td><td>8</td><td>7</td><td>6</td><td>5</td><td>4</td><td>3</td><td>2</td><td>1</td><td></td><td></td></tr> </table>	72	71	70	69	68	67	66	65	64	63	62		60	59					55	54	53	52			49	48			45	44	43	42	41	40	39					35	34	33	73			32			29	28	27		25	24	23						19	18	17	73			16			13	12	11		9	8	7	6	5	4	3	2	1		
72	71	70	69	68	67	66	65	64	63	62		60	59					55	54	53																																																																						
52			49	48			45	44	43	42	41	40	39					35	34	33																																																																						
73			32			29	28	27		25	24	23						19	18	17																																																																						
73			16			13	12	11		9	8	7	6	5	4	3	2	1																																																																								
AVAILABLE	NOT APPLICABLE	34566-2533	0	B	ST GRY	<table border="1"> <tr><td></td><td></td><td></td><td></td><td></td><td>67</td><td>66</td><td>65</td><td></td><td>63</td><td></td><td></td><td></td><td>59</td><td>58</td><td>57</td><td>56</td><td>55</td><td></td><td>53</td></tr> <tr><td></td><td></td><td>50</td><td>49</td><td>48</td><td></td><td>46</td><td>45</td><td></td><td>43</td><td></td><td></td><td></td><td>39</td><td>38</td><td>37</td><td>36</td><td>35</td><td>34</td><td>33</td></tr> <tr><td colspan="3">73</td><td></td><td></td><td></td><td></td><td>29</td><td>27</td><td></td><td></td><td></td><td></td><td>23</td><td>22</td><td>21</td><td></td><td></td><td></td><td>18</td></tr> <tr><td colspan="3">73</td><td>16</td><td>15</td><td>14</td><td>13</td><td></td><td></td><td></td><td></td><td>8</td><td>7</td><td>6</td><td>5</td><td>4</td><td>3</td><td></td><td></td><td></td></tr> </table>						67	66	65		63				59	58	57	56	55		53			50	49	48		46	45		43				39	38	37	36	35	34	33	73							29	27					23	22	21				18	73			16	15	14	13					8	7	6	5	4	3							
					67	66	65		63				59	58	57	56	55		53																																																																							
		50	49	48		46	45		43				39	38	37	36	35	34	33																																																																							
73							29	27					23	22	21				18																																																																							
73			16	15	14	13					8	7	6	5	4	3																																																																										
AVAILABLE	NOT APPLICABLE	34566-2543	0	C	BLUE	<table border="1"> <tr><td>72</td><td></td><td>70</td><td></td><td></td><td></td><td>66</td><td></td><td></td><td>63</td><td></td><td></td><td></td><td>59</td><td></td><td>57</td><td></td><td></td><td></td><td>53</td></tr> <tr><td>52</td><td>51</td><td></td><td></td><td></td><td></td><td>46</td><td></td><td>44</td><td></td><td>42</td><td></td><td>40</td><td>39</td><td></td><td></td><td></td><td></td><td></td><td>34</td><td>33</td></tr> <tr><td colspan="3">73</td><td>32</td><td></td><td>30</td><td></td><td></td><td>27</td><td>26</td><td>25</td><td></td><td></td><td></td><td></td><td>22</td><td>21</td><td></td><td></td><td></td><td></td></tr> <tr><td colspan="3">73</td><td></td><td>15</td><td>14</td><td></td><td></td><td></td><td>10</td><td>9</td><td></td><td></td><td></td><td>6</td><td></td><td></td><td></td><td></td><td></td><td></td></tr> </table>	72		70				66			63				59		57				53	52	51					46		44		42		40	39						34	33	73			32		30			27	26	25					22	21					73				15	14				10	9				6							
72		70				66			63				59		57				53																																																																							
52	51					46		44		42		40	39						34	33																																																																						
73			32		30			27	26	25					22	21																																																																										
73				15	14				10	9				6																																																																												
AVAILABLE	NOT APPLICABLE	34566-2553	9	B	ST GRY	<table border="1"> <tr><td>72</td><td>71</td><td>70</td><td></td><td>68</td><td>67</td><td>66</td><td></td><td></td><td></td><td>62</td><td>61</td><td>60</td><td>59</td><td>58</td><td>57</td><td>56</td><td>55</td><td>54</td><td>53</td></tr> <tr><td>52</td><td>51</td><td>50</td><td></td><td>48</td><td>47</td><td>46</td><td></td><td></td><td></td><td>42</td><td>41</td><td>40</td><td>39</td><td>38</td><td>37</td><td>36</td><td>35</td><td>34</td><td>33</td></tr> <tr><td colspan="3">73</td><td>32</td><td>31</td><td>30</td><td>29</td><td>28</td><td>27</td><td>26</td><td>25</td><td>24</td><td>23</td><td></td><td></td><td></td><td></td><td></td><td></td><td></td><td></td></tr> <tr><td colspan="3">73</td><td>16</td><td>15</td><td>14</td><td>13</td><td></td><td></td><td>10</td><td>9</td><td>8</td><td></td><td></td><td></td><td></td><td></td><td></td><td></td><td></td><td></td></tr> </table>	72	71	70		68	67	66				62	61	60	59	58	57	56	55	54	53	52	51	50		48	47	46				42	41	40	39	38	37	36	35	34	33	73			32	31	30	29	28	27	26	25	24	23									73			16	15	14	13			10	9	8											
72	71	70		68	67	66				62	61	60	59	58	57	56	55	54	53																																																																							
52	51	50		48	47	46				42	41	40	39	38	37	36	35	34	33																																																																							
73			32	31	30	29	28	27	26	25	24	23																																																																														
73			16	15	14	13			10	9	8																																																																															
AVAILABLE	NOT APPLICABLE	34566-2563	9	A	BLACK	<table border="1"> <tr><td></td><td></td><td></td><td>69</td><td></td><td></td><td></td><td></td><td></td><td></td><td>63</td><td>62</td><td>61</td><td></td><td></td><td>58</td><td>57</td><td>56</td><td>55</td><td>54</td><td>53</td></tr> <tr><td>52</td><td>51</td><td>50</td><td>49</td><td></td><td></td><td></td><td></td><td></td><td>44</td><td>43</td><td>42</td><td>41</td><td></td><td></td><td></td><td>37</td><td>36</td><td>35</td><td>34</td><td>33</td></tr> <tr><td colspan="3">73</td><td>32</td><td></td><td></td><td>29</td><td>28</td><td>27</td><td>26</td><td></td><td></td><td></td><td></td><td></td><td></td><td></td><td></td><td>19</td><td>18</td><td></td></tr> <tr><td colspan="3">73</td><td>16</td><td></td><td></td><td>14</td><td>13</td><td>12</td><td>11</td><td>10</td><td></td><td></td><td></td><td></td><td></td><td></td><td></td><td>3</td><td></td><td></td></tr> </table>				69							63	62	61			58	57	56	55	54	53	52	51	50	49						44	43	42	41				37	36	35	34	33	73			32			29	28	27	26									19	18		73			16			14	13	12	11	10								3		
			69							63	62	61			58	57	56	55	54	53																																																																						
52	51	50	49						44	43	42	41				37	36	35	34	33																																																																						
73			32			29	28	27	26									19	18																																																																							
73			16			14	13	12	11	10								3																																																																								
AVAILABLE	NOT APPLICABLE	34566-2573	9	C	BLUE	<table border="1"> <tr><td>72</td><td></td><td>70</td><td></td><td></td><td>67</td><td>66</td><td></td><td></td><td>63</td><td>62</td><td></td><td></td><td>59</td><td></td><td>57</td><td></td><td></td><td></td><td>53</td></tr> <tr><td>52</td><td>51</td><td></td><td></td><td></td><td>46</td><td></td><td>44</td><td></td><td>42</td><td></td><td>40</td><td>39</td><td></td><td></td><td></td><td></td><td></td><td></td><td>34</td><td>33</td></tr> <tr><td colspan="3">73</td><td></td><td></td><td>30</td><td></td><td></td><td></td><td>26</td><td>25</td><td></td><td></td><td></td><td></td><td>22</td><td>21</td><td>20</td><td></td><td></td><td></td></tr> <tr><td colspan="3">73</td><td></td><td>15</td><td>14</td><td></td><td></td><td></td><td>10</td><td>9</td><td></td><td></td><td></td><td>6</td><td>5</td><td>4</td><td></td><td></td><td></td><td></td></tr> </table>	72		70			67	66			63	62			59		57				53	52	51				46		44		42		40	39							34	33	73					30				26	25					22	21	20				73				15	14				10	9				6	5	4					
72		70			67	66			63	62			59		57				53																																																																							
52	51				46		44		42		40	39							34	33																																																																						
73					30				26	25					22	21	20																																																																									
73				15	14				10	9				6	5	4																																																																										

<b>QUALITY SYMBOLS</b> ▽ = 0 ▽ = 0 ▽ = 0 ▽ = 0 ▽ = 0 ▽ = 0 ▽ = 0 ▽ = 0 ▽ = 0	THIS DRAWING CONTAINS INFORMATION THAT IS PROPRIETARY TO MOLEX ELECTRONIC TECHNOLOGIES, LLC AND SHOULD NOT BE USED WITHOUT WRITTEN PERMISSION									
	EC NO: 115716 DRWN: TYE CHKD: REV APPR: JDENG02	2017/04/12 2017/04/21	GENERAL TOLERANCES (UNLESS SPECIFIED)		DIMENSION UNITS	SCALE	 MX123 66/73/80CKT HRNS CONN ASSY PRODUCT CUSTOMER DRAWING			
			ANGULAR TOL ± °		MM	1:1				
			4 PLACES ±	DRWN BY	DATE					
			3 PLACES ±	SKRAJENDRANA	2011/02/14					
			2 PLACES ±	CHKD BY	DATE					
	1 PLACE ±	MVANSLAMBROU	2011/02/14							
	0 PLACES ±	APPR BY	DATE	DRAWING SIZE	THIRD ANGLE PROJECTION	SERIES: 34566 MATERIAL NUMBER: SEE BOM TABLE CUSTOMER: GENERAL MARKET				
	DRAFT WHERE APPLICABLE MUST REMAIN WITHIN DIMENSIONS		D			DOCUMENT NUMBER: SD-34566-001 DOC TYPE: PSD DOC PART: 000 SHEET NUMBER: 30 OF 93				

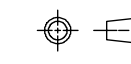
STATUS	GM PART #	MATERIAL #	WIRE DRESS OPTION	KEY OPTION ▽ E	COLOR (TPA) ▽ E	NUMBERS INDICATE CAVITIES OPEN FOR CIRCUITS ▽ E																																																																																				
AVAILABLE	NOT APPLICABLE	34566-2583	0	A	BLACK	<table border="1"> <tr><td></td><td></td><td></td><td>69</td><td></td><td></td><td></td><td></td><td></td><td></td><td>63</td><td></td><td></td><td></td><td></td><td>58</td><td></td><td>56</td><td>55</td><td>54</td><td>53</td></tr> <tr><td>52</td><td>51</td><td>50</td><td>49</td><td></td><td></td><td></td><td></td><td></td><td>44</td><td>43</td><td>42</td><td>41</td><td></td><td>39</td><td></td><td></td><td>36</td><td>35</td><td>34</td><td>33</td></tr> <tr><td colspan="3">73</td><td></td><td>32</td><td></td><td></td><td></td><td></td><td>28</td><td>26</td><td></td><td></td><td></td><td></td><td></td><td></td><td>19</td><td>18</td><td></td><td></td></tr> <tr><td colspan="3"></td><td></td><td>16</td><td></td><td>14</td><td></td><td></td><td>12</td><td>10</td><td></td><td></td><td></td><td></td><td></td><td></td><td>3</td><td></td><td></td><td></td></tr> </table>				69							63					58		56	55	54	53	52	51	50	49						44	43	42	41		39			36	35	34	33	73				32					28	26							19	18							16		14			12	10							3			
			69							63					58		56	55	54	53																																																																						
52	51	50	49						44	43	42	41		39			36	35	34	33																																																																						
73				32					28	26							19	18																																																																								
				16		14			12	10							3																																																																									
AVAILABLE	NOT APPLICABLE	34566-2593	0	C	BLUE	<table border="1"> <tr><td>72</td><td></td><td>70</td><td></td><td></td><td></td><td>66</td><td></td><td></td><td>63</td><td>62</td><td></td><td></td><td>59</td><td></td><td>57</td><td></td><td></td><td></td><td></td><td>53</td></tr> <tr><td>52</td><td>51</td><td></td><td></td><td></td><td></td><td>46</td><td></td><td>44</td><td>42</td><td></td><td>40</td><td>39</td><td></td><td></td><td></td><td></td><td></td><td></td><td>34</td><td>33</td></tr> <tr><td colspan="3">73</td><td></td><td>32</td><td></td><td></td><td></td><td></td><td>27</td><td>26</td><td>25</td><td></td><td></td><td>22</td><td>21</td><td></td><td></td><td></td><td></td><td></td></tr> <tr><td colspan="3"></td><td></td><td>15</td><td>14</td><td></td><td></td><td></td><td>10</td><td>9</td><td></td><td></td><td>6</td><td></td><td></td><td></td><td></td><td></td><td></td><td></td></tr> </table>	72		70				66			63	62			59		57					53	52	51					46		44	42		40	39							34	33	73				32					27	26	25			22	21										15	14				10	9			6							
72		70				66			63	62			59		57					53																																																																						
52	51					46		44	42		40	39							34	33																																																																						
73				32					27	26	25			22	21																																																																											
				15	14				10	9			6																																																																													
AVAILABLE	NOT APPLICABLE	34566-2613	9	C	BLUE	<table border="1"> <tr><td>72</td><td></td><td>70</td><td></td><td></td><td>67</td><td>66</td><td></td><td></td><td>63</td><td>62</td><td></td><td></td><td>59</td><td></td><td>57</td><td></td><td></td><td></td><td></td><td>53</td></tr> <tr><td>52</td><td>51</td><td></td><td></td><td></td><td>46</td><td></td><td></td><td>44</td><td>42</td><td></td><td>40</td><td>39</td><td></td><td></td><td></td><td></td><td></td><td></td><td>34</td><td>33</td></tr> <tr><td colspan="3">73</td><td></td><td></td><td>30</td><td></td><td></td><td></td><td>27</td><td>26</td><td>25</td><td></td><td></td><td>22</td><td>21</td><td>20</td><td></td><td></td><td></td><td></td></tr> <tr><td colspan="3"></td><td></td><td>15</td><td>14</td><td></td><td></td><td></td><td>10</td><td>9</td><td></td><td></td><td>6</td><td>5</td><td>4</td><td></td><td></td><td></td><td></td><td></td></tr> </table>	72		70			67	66			63	62			59		57					53	52	51				46			44	42		40	39							34	33	73					30				27	26	25			22	21	20									15	14				10	9			6	5	4					
72		70			67	66			63	62			59		57					53																																																																						
52	51				46			44	42		40	39							34	33																																																																						
73					30				27	26	25			22	21	20																																																																										
				15	14				10	9			6	5	4																																																																											
AVAILABLE	NOT APPLICABLE	34566-2623	0	A	BLACK	<table border="1"> <tr><td></td><td>71</td><td></td><td>69</td><td>68</td><td>67</td><td></td><td>65</td><td>64</td><td>63</td><td></td><td>61</td><td></td><td>59</td><td></td><td>57</td><td>56</td><td></td><td></td><td></td><td></td></tr> <tr><td></td><td></td><td>50</td><td>49</td><td></td><td>47</td><td></td><td></td><td></td><td></td><td></td><td>41</td><td></td><td></td><td>38</td><td>37</td><td>36</td><td></td><td></td><td>34</td><td>33</td></tr> <tr><td colspan="3">73</td><td></td><td>32</td><td>31</td><td>30</td><td>29</td><td>28</td><td>27</td><td></td><td>24</td><td>23</td><td></td><td></td><td>20</td><td>19</td><td>18</td><td></td><td></td><td></td></tr> <tr><td colspan="3"></td><td></td><td>16</td><td></td><td></td><td>13</td><td>12</td><td>11</td><td>10</td><td>9</td><td>7</td><td></td><td></td><td>4</td><td></td><td></td><td></td><td></td><td></td></tr> </table>		71		69	68	67		65	64	63		61		59		57	56							50	49		47						41			38	37	36			34	33	73				32	31	30	29	28	27		24	23			20	19	18								16			13	12	11	10	9	7			4					
	71		69	68	67		65	64	63		61		59		57	56																																																																										
		50	49		47						41			38	37	36			34	33																																																																						
73				32	31	30	29	28	27		24	23			20	19	18																																																																									
				16			13	12	11	10	9	7			4																																																																											
AVAILABLE	NOT APPLICABLE	34566-2633	0	A	BLACK	<table border="1"> <tr><td></td><td>71</td><td></td><td>69</td><td>68</td><td>67</td><td></td><td>65</td><td>64</td><td></td><td></td><td>61</td><td></td><td>59</td><td></td><td>57</td><td>56</td><td></td><td></td><td></td><td></td></tr> <tr><td></td><td></td><td>50</td><td>49</td><td></td><td>47</td><td></td><td></td><td></td><td></td><td></td><td>41</td><td></td><td></td><td>38</td><td>37</td><td>36</td><td></td><td></td><td>34</td><td>33</td></tr> <tr><td colspan="3">73</td><td></td><td>32</td><td>31</td><td>30</td><td>29</td><td>28</td><td>27</td><td></td><td>24</td><td>23</td><td></td><td></td><td>20</td><td>19</td><td>18</td><td></td><td></td><td></td></tr> <tr><td colspan="3"></td><td></td><td>16</td><td></td><td></td><td></td><td></td><td>11</td><td>10</td><td>9</td><td>7</td><td></td><td></td><td>4</td><td></td><td></td><td></td><td></td><td></td></tr> </table>		71		69	68	67		65	64			61		59		57	56							50	49		47						41			38	37	36			34	33	73				32	31	30	29	28	27		24	23			20	19	18								16					11	10	9	7			4					
	71		69	68	67		65	64			61		59		57	56																																																																										
		50	49		47						41			38	37	36			34	33																																																																						
73				32	31	30	29	28	27		24	23			20	19	18																																																																									
				16					11	10	9	7			4																																																																											
AVAILABLE	NOT APPLICABLE	34566-2643	0	A	BLACK	<table border="1"> <tr><td></td><td>71</td><td></td><td>69</td><td>68</td><td>67</td><td></td><td>65</td><td>64</td><td>63</td><td></td><td>61</td><td></td><td>59</td><td></td><td>57</td><td>56</td><td></td><td></td><td></td><td></td></tr> <tr><td></td><td></td><td>50</td><td>49</td><td></td><td>47</td><td></td><td></td><td></td><td></td><td></td><td>41</td><td></td><td>39</td><td>38</td><td>37</td><td>36</td><td></td><td></td><td>34</td><td>33</td></tr> <tr><td colspan="3">73</td><td></td><td>32</td><td>31</td><td>30</td><td>29</td><td>28</td><td>27</td><td></td><td>24</td><td>23</td><td>22</td><td></td><td>20</td><td>19</td><td>18</td><td></td><td></td><td></td></tr> <tr><td colspan="3"></td><td></td><td>16</td><td></td><td></td><td>13</td><td>12</td><td>11</td><td>10</td><td>9</td><td>7</td><td></td><td></td><td>4</td><td></td><td></td><td></td><td></td><td></td></tr> </table>		71		69	68	67		65	64	63		61		59		57	56							50	49		47						41		39	38	37	36			34	33	73				32	31	30	29	28	27		24	23	22		20	19	18								16			13	12	11	10	9	7			4					
	71		69	68	67		65	64	63		61		59		57	56																																																																										
		50	49		47						41		39	38	37	36			34	33																																																																						
73				32	31	30	29	28	27		24	23	22		20	19	18																																																																									
				16			13	12	11	10	9	7			4																																																																											
AVAILABLE	NOT APPLICABLE	34566-2653	0	A	BLACK	<table border="1"> <tr><td></td><td>71</td><td></td><td>69</td><td>68</td><td>67</td><td></td><td>65</td><td>64</td><td></td><td></td><td>61</td><td></td><td>59</td><td></td><td>57</td><td>56</td><td></td><td></td><td></td><td></td></tr> <tr><td></td><td></td><td>50</td><td>49</td><td></td><td>47</td><td></td><td></td><td></td><td></td><td></td><td>41</td><td></td><td>39</td><td>38</td><td>37</td><td>36</td><td></td><td></td><td>34</td><td>33</td></tr> <tr><td colspan="3">73</td><td></td><td>32</td><td>31</td><td>30</td><td>29</td><td>28</td><td>27</td><td></td><td>24</td><td>23</td><td>22</td><td></td><td>20</td><td>19</td><td>18</td><td></td><td></td><td></td></tr> <tr><td colspan="3"></td><td></td><td>16</td><td></td><td></td><td></td><td></td><td>11</td><td>10</td><td>9</td><td>7</td><td></td><td></td><td>4</td><td></td><td></td><td></td><td></td><td></td></tr> </table>		71		69	68	67		65	64			61		59		57	56							50	49		47						41		39	38	37	36			34	33	73				32	31	30	29	28	27		24	23	22		20	19	18								16					11	10	9	7			4					
	71		69	68	67		65	64			61		59		57	56																																																																										
		50	49		47						41		39	38	37	36			34	33																																																																						
73				32	31	30	29	28	27		24	23	22		20	19	18																																																																									
				16					11	10	9	7			4																																																																											
AVAILABLE	NOT APPLICABLE	34566-2663	0	H	ST GRY	<table border="1"> <tr><td></td><td></td><td>79</td><td>78</td><td>77</td><td>76</td><td>75</td><td>74</td><td>73</td><td>72</td><td>71</td><td>70</td><td>69</td><td>68</td><td></td><td>66</td><td>65</td><td>64</td><td>63</td><td></td><td>61</td></tr> <tr><td>60</td><td>59</td><td>58</td><td>57</td><td>56</td><td></td><td></td><td></td><td>53</td><td></td><td></td><td>50</td><td></td><td></td><td></td><td></td><td></td><td>44</td><td>43</td><td></td><td>41</td></tr> <tr><td>40</td><td>39</td><td>38</td><td>37</td><td></td><td>35</td><td>34</td><td></td><td>32</td><td></td><td>30</td><td>29</td><td></td><td>27</td><td>26</td><td></td><td></td><td></td><td></td><td>22</td><td>21</td></tr> <tr><td>20</td><td>19</td><td>18</td><td>17</td><td></td><td></td><td></td><td></td><td>13</td><td>12</td><td></td><td></td><td></td><td></td><td>8</td><td>6</td><td>5</td><td></td><td>3</td><td>2</td><td></td></tr> </table>			79	78	77	76	75	74	73	72	71	70	69	68		66	65	64	63		61	60	59	58	57	56				53			50						44	43		41	40	39	38	37		35	34		32		30	29		27	26					22	21	20	19	18	17					13	12					8	6	5		3	2	
		79	78	77	76	75	74	73	72	71	70	69	68		66	65	64	63		61																																																																						
60	59	58	57	56				53			50						44	43		41																																																																						
40	39	38	37		35	34		32		30	29		27	26					22	21																																																																						
20	19	18	17					13	12					8	6	5		3	2																																																																							
AVAILABLE	NOT APPLICABLE	34566-2673	0	H	ST GRY	<table border="1"> <tr><td></td><td></td><td>79</td><td>78</td><td>77</td><td>76</td><td>75</td><td>74</td><td>73</td><td>72</td><td>71</td><td>70</td><td>69</td><td>68</td><td></td><td>66</td><td>65</td><td>64</td><td>63</td><td></td><td>61</td></tr> <tr><td>60</td><td>59</td><td>58</td><td>57</td><td>56</td><td></td><td></td><td></td><td>53</td><td>52</td><td></td><td>50</td><td></td><td></td><td></td><td></td><td></td><td>44</td><td>43</td><td></td><td>41</td></tr> <tr><td>40</td><td>39</td><td>38</td><td>37</td><td></td><td>35</td><td>34</td><td></td><td>32</td><td></td><td>30</td><td>29</td><td></td><td>27</td><td>26</td><td></td><td></td><td></td><td></td><td>22</td><td>21</td></tr> <tr><td>20</td><td>19</td><td>18</td><td>17</td><td>16</td><td></td><td></td><td></td><td>13</td><td>12</td><td></td><td></td><td></td><td></td><td>8</td><td>6</td><td>5</td><td></td><td>3</td><td>2</td><td></td></tr> </table>			79	78	77	76	75	74	73	72	71	70	69	68		66	65	64	63		61	60	59	58	57	56				53	52		50						44	43		41	40	39	38	37		35	34		32		30	29		27	26					22	21	20	19	18	17	16				13	12					8	6	5		3	2	
		79	78	77	76	75	74	73	72	71	70	69	68		66	65	64	63		61																																																																						
60	59	58	57	56				53	52		50						44	43		41																																																																						
40	39	38	37		35	34		32		30	29		27	26					22	21																																																																						
20	19	18	17	16				13	12					8	6	5		3	2																																																																							

QUALITY SYMBOLS ▽ = 0 ▽ = 0 ▽ = 0 ▽ = 0 ▽ = 0 ▽ = 0 ▽ = 0 ▽ = 0 ▽ = 0		THIS DRAWING CONTAINS INFORMATION THAT IS PROPRIETARY TO MOLEX ELECTRONIC TECHNOLOGIES, LLC AND SHOULD NOT BE USED WITHOUT WRITTEN PERMISSION		GENERAL TOLERANCES (UNLESS SPECIFIED) DIMENSION UNITS: MM SCALE: 1:1 DRWN BY: SKRAJENDRANA DATE: 2011/02/14 CHKD BY: MVANSLAMBROU DATE: 2011/02/14 APPR BY: JDENG02 DATE:		<b>molex</b> MX123 66/73/80CKT HRNS CONN ASSY PRODUCT CUSTOMER DRAWING			
EC NO: 115716 DRWN: TYE CHKD: REV APPR: JDENG02		2017/04/21 2017/04/21		4 PLACES ± 3 PLACES ± 2 PLACES ± 1 PLACE ± 0 PLACES ±		DRAFT WHERE APPLICABLE MUST REMAIN WITHIN DIMENSIONS DRAWING SIZE: D THIRD ANGLE PROJECTION		SERIES: 34566 MATERIAL NUMBER: SEE BOM TABLE CUSTOMER: GENERAL MARKET	
G50		DOCUMENT NUMBER: SD-34566-001 DOC TYPE: PSD DOC PART: 000 SHEET NUMBER: 31 OF 93							

STATUS	GM PART #	MATERIAL #	WIRE DRESS OPTION	KEY OPTION	COLOR (TPA)	NUMBERS INDICATE CAVITIES OPEN FOR CIRCUITS																										
AVAILABLE	NOT APPLICABLE	34566-2683	0	H	ST GRY					78											72	71	70	69	68	67	66	65	64	63		61
						60	59	58	57	56					53	52	51	50			48	47							44	43		41
						40				37		35	34		32			30	29			27	26								22	21
						20	19	18	17	16					13	12					8	7	6	5	4	3	2	1				
AVAILABLE	NOT APPLICABLE	34566-2693	0	B	ST GRY				71	70		68		66	65						60	59	58	57					54	53		
						51	50	49	48		46	45			43	42	41	40			39	38	37	36	35					33		
AVAILABLE	NOT APPLICABLE	34566-2713	0	A	BLACK						69	68			65	64	63			61	60	59	58		56							
						52			50	49		47									41	40			38	37	36		34	33		
AVAILABLE	NOT APPLICABLE	34566-2723	0	B	ST GRY				71	70		68		66	65	64	63				60	59	58	57	56	55	54	53				
						51	50	49	48		46	45			43	42	41	40			39	38	37	36	35					33		
AVAILABLE	NOT APPLICABLE	34566-2733	0	A	BLACK					70		68	67	66	65								58	57		55						
AVAILABLE	NOT APPLICABLE	34566-2743	0	C	BLUE				72		70			67	66			63	62	61				59		57				53		
						52	51								46	44	43	42	41			40	39						34	33		
AVAILABLE	NOT APPLICABLE	34566-2753	0	A	BLACK													63	62	61				58	57	56	55	54	53			
						52	51		49						44	43	42	41														
AVAILABLE	NOT APPLICABLE	34566-2763	0	B	ST GRY		72	71	70			68	67	66					62	61	60	59	58	57	56	55	54	53				
						52	51	50				48	47	46					42	41	40	39	38	37	36	35	34	33				
AVAILABLE	NOT APPLICABLE	34566-2773	0	H	ST GRY																											61
AVAILABLE	NOT APPLICABLE	34566-2783	9	H	ST GRY																											61

<b>QUALITY SYMBOLS</b> = 0 = 0 = 0 = 0 = 0 = 0 = 0 = 0	THIS DRAWING CONTAINS INFORMATION THAT IS PROPRIETARY TO MOLEX ELECTRONIC TECHNOLOGIES, LLC AND SHOULD NOT BE USED WITHOUT WRITTEN PERMISSION			<b>molex</b> <sup>®</sup>							
	EC NO: 115716	DRWN: TYE	CHKD: JDENG02	2017/04/12	2017/04/21	GENERAL TOLERANCES (UNLESS SPECIFIED)		DIMENSION UNITS	SCALE	MX123 66/73/80CKT HRNS CONN ASSY	
						ANGULAR TOL ± °		MM	1:1		
						4 PLACES ±		DRWN BY	DATE		
						3 PLACES ±		SKRAJENDRANA	2011/02/14		
					2 PLACES ±		CHKD BY	DATE			
					1 PLACE ±		MVANSLAMBROU	2011/02/14			
					0 PLACES ±		APPR BY	DATE	PRODUCT CUSTOMER DRAWING		
					DRAFT WHERE APPLICABLE MUST REMAIN WITHIN DIMENSIONS		DRAWING SIZE	THIRD ANGLE PROJECTION	SERIES	MATERIAL NUMBER	CUSTOMER
							D		34566	SEE BOM TABLE	GENERAL MARKET
									DOCUMENT NUMBER		
									SD-34566-001		
									DOC TYPE	DOC PART	SHEET NUMBER
									PSD	000	32 OF 93

STATUS	GM PART #	MATERIAL #	WIRE DRESS OPTION	KEY OPTION △ E	COLOR (TPA) △ E	NUMBERS INDICATE CAVITIES OPEN FOR CIRCUITS △ E																																																																																																				
AVAILABLE	NOT APPLICABLE	34566-2793	9	A	BLACK	<table border="1"> <tr><td></td><td></td><td></td><td>67</td><td>66</td><td></td><td></td><td></td><td></td><td></td><td></td><td></td><td></td><td></td><td></td><td></td><td></td><td></td></tr> <tr><td></td><td></td><td></td><td>48</td><td>47</td><td></td><td></td><td></td><td></td><td>41</td><td></td><td></td><td></td><td></td><td></td><td></td><td></td><td></td></tr> <tr><td></td><td></td><td>73</td><td>32</td><td>31</td><td>30</td><td>29</td><td>27</td><td>25</td><td></td><td>22</td><td>21</td><td></td><td>19</td><td>18</td><td>17</td><td></td></tr> <tr><td></td><td></td><td></td><td>16</td><td>15</td><td>14</td><td>13</td><td></td><td>11</td><td>10</td><td>9</td><td>8</td><td>7</td><td>6</td><td>5</td><td>4</td><td>3</td></tr> </table>				67	66																	48	47					41											73	32	31	30	29	27	25		22	21		19	18	17					16	15	14	13		11	10	9	8	7	6	5	4	3																														
			67	66																																																																																																						
			48	47					41																																																																																																	
		73	32	31	30	29	27	25		22	21		19	18	17																																																																																											
			16	15	14	13		11	10	9	8	7	6	5	4	3																																																																																										
AVAILABLE	NOT APPLICABLE	34566-2813	9	B	ST GRY	<table border="1"> <tr><td>72</td><td>71</td><td>70</td><td>69</td><td>68</td><td>67</td><td>66</td><td>65</td><td>64</td><td></td><td>62</td><td>61</td><td>60</td><td>59</td><td>58</td><td>57</td><td>56</td><td>55</td><td>54</td><td></td></tr> <tr><td>52</td><td>51</td><td>50</td><td>49</td><td>48</td><td></td><td>46</td><td></td><td>44</td><td></td><td></td><td>40</td><td></td><td></td><td>37</td><td>36</td><td></td><td></td><td></td><td></td></tr> <tr><td></td><td></td><td></td><td></td><td></td><td>73</td><td>32</td><td>31</td><td>30</td><td>29</td><td>28</td><td>27</td><td></td><td>25</td><td>24</td><td></td><td>21</td><td>20</td><td></td><td>18</td></tr> <tr><td></td><td></td><td></td><td></td><td></td><td></td><td>16</td><td></td><td>14</td><td>13</td><td>12</td><td>11</td><td>10</td><td>9</td><td></td><td>7</td><td>6</td><td></td><td>4</td><td>3</td><td>2</td></tr> </table>	72	71	70	69	68	67	66	65	64		62	61	60	59	58	57	56	55	54		52	51	50	49	48		46		44			40			37	36										73	32	31	30	29	28	27		25	24		21	20		18							16		14	13	12	11	10	9		7	6		4	3	2																			
72	71	70	69	68	67	66	65	64		62	61	60	59	58	57	56	55	54																																																																																								
52	51	50	49	48		46		44			40			37	36																																																																																											
					73	32	31	30	29	28	27		25	24		21	20		18																																																																																							
						16		14	13	12	11	10	9		7	6		4	3	2																																																																																						
AVAILABLE	NOT APPLICABLE	34566-2823	0	A	BLACK	<table border="1"> <tr><td></td><td></td><td></td><td></td><td>67</td><td>66</td><td></td><td></td><td></td><td></td><td></td><td></td><td></td><td></td><td></td><td></td><td></td><td></td><td></td><td></td><td></td></tr> <tr><td></td><td></td><td></td><td></td><td>47</td><td></td><td></td><td></td><td></td><td></td><td>41</td><td></td><td></td><td></td><td></td><td></td><td></td><td></td><td></td><td></td><td></td></tr> <tr><td></td><td></td><td></td><td>73</td><td>32</td><td>31</td><td>30</td><td>29</td><td></td><td>27</td><td>25</td><td></td><td></td><td>22</td><td>21</td><td></td><td></td><td>19</td><td>18</td><td>17</td></tr> <tr><td></td><td></td><td></td><td></td><td>16</td><td>15</td><td>14</td><td>13</td><td></td><td></td><td>10</td><td>9</td><td>8</td><td>7</td><td>6</td><td>5</td><td>4</td><td>3</td><td></td><td></td></tr> </table>					67	66																				47						41														73	32	31	30	29		27	25			22	21			19	18	17					16	15	14	13			10	9	8	7	6	5	4	3																				
				67	66																																																																																																					
				47						41																																																																																																
			73	32	31	30	29		27	25			22	21			19	18	17																																																																																							
				16	15	14	13			10	9	8	7	6	5	4	3																																																																																									
AVAILABLE	NOT APPLICABLE	34566-2833	0	B	ST GRY	<table border="1"> <tr><td>72</td><td>71</td><td>70</td><td>69</td><td>68</td><td>67</td><td>66</td><td>65</td><td>64</td><td></td><td></td><td>61</td><td>60</td><td></td><td></td><td>57</td><td>56</td><td>55</td><td>54</td><td></td></tr> <tr><td>52</td><td>51</td><td>50</td><td>49</td><td>48</td><td></td><td>46</td><td></td><td>44</td><td></td><td></td><td>40</td><td></td><td></td><td>37</td><td>36</td><td></td><td></td><td></td><td></td></tr> <tr><td></td><td></td><td></td><td></td><td></td><td>73</td><td>32</td><td>31</td><td>30</td><td>29</td><td>28</td><td>27</td><td></td><td>24</td><td></td><td>21</td><td>20</td><td>19</td><td>18</td><td>17</td></tr> <tr><td></td><td></td><td></td><td></td><td></td><td></td><td>16</td><td></td><td>14</td><td>13</td><td>12</td><td>11</td><td>10</td><td>9</td><td></td><td>7</td><td>6</td><td></td><td>4</td><td>2</td></tr> </table>	72	71	70	69	68	67	66	65	64			61	60			57	56	55	54		52	51	50	49	48		46		44			40			37	36										73	32	31	30	29	28	27		24		21	20	19	18	17							16		14	13	12	11	10	9		7	6		4	2																				
72	71	70	69	68	67	66	65	64			61	60			57	56	55	54																																																																																								
52	51	50	49	48		46		44			40			37	36																																																																																											
					73	32	31	30	29	28	27		24		21	20	19	18	17																																																																																							
						16		14	13	12	11	10	9		7	6		4	2																																																																																							
AVAILABLE	NOT APPLICABLE	34566-2843	0	A	BLACK	<table border="1"> <tr><td></td><td></td><td></td><td></td><td>67</td><td>66</td><td></td><td></td><td></td><td></td><td></td><td></td><td></td><td></td><td></td><td></td><td></td><td></td><td></td><td></td><td></td></tr> <tr><td></td><td></td><td></td><td></td><td>47</td><td></td><td></td><td></td><td></td><td></td><td>41</td><td></td><td></td><td></td><td></td><td></td><td></td><td></td><td></td><td></td><td></td></tr> <tr><td></td><td></td><td></td><td>73</td><td>32</td><td>31</td><td>30</td><td>29</td><td></td><td>27</td><td>25</td><td></td><td></td><td>22</td><td>21</td><td></td><td></td><td>19</td><td>18</td><td>17</td></tr> <tr><td></td><td></td><td></td><td></td><td>16</td><td>15</td><td>14</td><td>13</td><td></td><td></td><td>10</td><td>9</td><td>8</td><td>7</td><td>6</td><td>5</td><td>4</td><td>3</td><td></td><td></td></tr> </table>					67	66																				47						41														73	32	31	30	29		27	25			22	21			19	18	17					16	15	14	13			10	9	8	7	6	5	4	3																				
				67	66																																																																																																					
				47						41																																																																																																
			73	32	31	30	29		27	25			22	21			19	18	17																																																																																							
				16	15	14	13			10	9	8	7	6	5	4	3																																																																																									
AVAILABLE	NOT APPLICABLE	34566-2853	0	B	ST GRY	<table border="1"> <tr><td>72</td><td>71</td><td>70</td><td>69</td><td>68</td><td>67</td><td>66</td><td>65</td><td>64</td><td>63</td><td></td><td>61</td><td>60</td><td></td><td></td><td>57</td><td>56</td><td>55</td><td>54</td><td></td></tr> <tr><td>52</td><td>51</td><td>50</td><td>49</td><td>48</td><td></td><td>46</td><td></td><td>44</td><td></td><td></td><td>40</td><td></td><td></td><td>37</td><td>36</td><td></td><td></td><td></td><td></td></tr> <tr><td></td><td></td><td></td><td></td><td></td><td>73</td><td>32</td><td>31</td><td>30</td><td>29</td><td>28</td><td>27</td><td></td><td>24</td><td></td><td>21</td><td>20</td><td>19</td><td>18</td><td>17</td></tr> <tr><td></td><td></td><td></td><td></td><td></td><td></td><td>16</td><td></td><td>14</td><td>13</td><td>12</td><td>11</td><td>10</td><td>9</td><td></td><td>7</td><td>6</td><td></td><td>4</td><td>3</td><td>2</td></tr> </table>	72	71	70	69	68	67	66	65	64	63		61	60			57	56	55	54		52	51	50	49	48		46		44			40			37	36										73	32	31	30	29	28	27		24		21	20	19	18	17							16		14	13	12	11	10	9		7	6		4	3	2																			
72	71	70	69	68	67	66	65	64	63		61	60			57	56	55	54																																																																																								
52	51	50	49	48		46		44			40			37	36																																																																																											
					73	32	31	30	29	28	27		24		21	20	19	18	17																																																																																							
						16		14	13	12	11	10	9		7	6		4	3	2																																																																																						
AVAILABLE	NOT APPLICABLE	34566-2863	0	A	BLACK	<table border="1"> <tr><td>72</td><td>71</td><td>70</td><td>69</td><td>68</td><td>67</td><td>66</td><td></td><td>64</td><td>63</td><td>62</td><td></td><td>60</td><td>59</td><td></td><td></td><td></td><td>55</td><td>54</td><td>53</td></tr> <tr><td>52</td><td></td><td></td><td>49</td><td>48</td><td></td><td>46</td><td></td><td>44</td><td>43</td><td>42</td><td></td><td>40</td><td>39</td><td></td><td></td><td></td><td>35</td><td>34</td><td>33</td></tr> <tr><td></td><td></td><td></td><td></td><td></td><td>73</td><td>32</td><td></td><td>29</td><td>28</td><td>27</td><td></td><td>24</td><td>23</td><td></td><td></td><td></td><td>19</td><td>18</td><td>17</td></tr> <tr><td></td><td></td><td></td><td></td><td></td><td></td><td>16</td><td></td><td>14</td><td>13</td><td>12</td><td>11</td><td>9</td><td>8</td><td>7</td><td>6</td><td>5</td><td>4</td><td>3</td><td>2</td><td>1</td></tr> </table>	72	71	70	69	68	67	66		64	63	62		60	59				55	54	53	52			49	48		46		44	43	42		40	39				35	34	33						73	32		29	28	27		24	23				19	18	17							16		14	13	12	11	9	8	7	6	5	4	3	2	1																			
72	71	70	69	68	67	66		64	63	62		60	59				55	54	53																																																																																							
52			49	48		46		44	43	42		40	39				35	34	33																																																																																							
					73	32		29	28	27		24	23				19	18	17																																																																																							
						16		14	13	12	11	9	8	7	6	5	4	3	2	1																																																																																						
AVAILABLE	NOT APPLICABLE	34566-2873	0	B	ST GRY	<table border="1"> <tr><td>72</td><td>71</td><td>70</td><td>69</td><td>68</td><td>67</td><td>66</td><td></td><td></td><td></td><td></td><td></td><td>59</td><td>58</td><td>57</td><td>56</td><td>55</td><td></td><td>53</td><td></td></tr> <tr><td>52</td><td>51</td><td>50</td><td>49</td><td>48</td><td>47</td><td></td><td></td><td></td><td></td><td></td><td></td><td>39</td><td>38</td><td>37</td><td>36</td><td>35</td><td></td><td></td><td></td></tr> <tr><td></td><td></td><td></td><td></td><td></td><td></td><td></td><td></td><td></td><td></td><td></td><td></td><td></td><td></td><td>23</td><td>22</td><td>21</td><td></td><td></td><td></td></tr> <tr><td></td><td></td><td></td><td></td><td></td><td></td><td></td><td></td><td></td><td>15</td><td></td><td></td><td></td><td>11</td><td>10</td><td></td><td>8</td><td></td><td>6</td><td>5</td><td>4</td><td>3</td></tr> </table>	72	71	70	69	68	67	66						59	58	57	56	55		53		52	51	50	49	48	47							39	38	37	36	35																		23	22	21													15				11	10		8		6	5	4	3																		
72	71	70	69	68	67	66						59	58	57	56	55		53																																																																																								
52	51	50	49	48	47							39	38	37	36	35																																																																																										
														23	22	21																																																																																										
									15				11	10		8		6	5	4	3																																																																																					
AVAILABLE	NOT APPLICABLE	34566-2883	0	A	BLACK	<table border="1"> <tr><td></td><td></td><td>70</td><td>69</td><td></td><td></td><td></td><td></td><td></td><td>63</td><td>62</td><td>61</td><td></td><td></td><td>58</td><td>57</td><td>56</td><td>55</td><td>54</td><td>53</td></tr> <tr><td>52</td><td>51</td><td></td><td>49</td><td></td><td></td><td></td><td></td><td></td><td>44</td><td>43</td><td>42</td><td>41</td><td></td><td></td><td>37</td><td>36</td><td></td><td></td><td>34</td></tr> <tr><td></td><td></td><td></td><td></td><td></td><td></td><td></td><td></td><td></td><td></td><td></td><td></td><td></td><td></td><td></td><td></td><td></td><td></td><td>19</td><td>18</td></tr> <tr><td></td><td></td><td></td><td></td><td></td><td>73</td><td>32</td><td></td><td></td><td>29</td><td>28</td><td>27</td><td>26</td><td></td><td></td><td></td><td></td><td></td><td>3</td><td></td></tr> <tr><td></td><td></td><td></td><td></td><td></td><td></td><td>16</td><td></td><td></td><td>13</td><td>12</td><td>11</td><td>10</td><td></td><td></td><td></td><td></td><td></td><td></td><td></td></tr> </table>			70	69						63	62	61			58	57	56	55	54	53	52	51		49						44	43	42	41			37	36			34																			19	18						73	32			29	28	27	26						3								16			13	12	11	10							
		70	69						63	62	61			58	57	56	55	54	53																																																																																							
52	51		49						44	43	42	41			37	36			34																																																																																							
																		19	18																																																																																							
					73	32			29	28	27	26						3																																																																																								
						16			13	12	11	10																																																																																														

<b>QUALITY SYMBOLS</b>		THIS DRAWING CONTAINS INFORMATION THAT IS PROPRIETARY TO MOLEX ELECTRONIC TECHNOLOGIES, LLC AND SHOULD NOT BE USED WITHOUT WRITTEN PERMISSION			
△ = 0	2017/04/12	GENERAL TOLERANCES (UNLESS SPECIFIED)		DIMENSION UNITS	SCALE
▽ = 0	2017/04/21	ANGULAR TOL ± °		MM	1:1
▽ = 0		4 PLACES ±	DRWN BY	DATE	
▽ = 0		3 PLACES ±	SKRAJENDRANA	2011/02/14	
▽ = 0		2 PLACES ±	CHKD BY	DATE	
▽ = 0		1 PLACE ±	MVANSLAMBROU	2011/02/14	
▽ = 0		0 PLACES ±	APPR BY	DATE	
▽ = 0		DRAFT WHERE APPLICABLE MUST REMAIN WITHIN DIMENSIONS	DRAWING SIZE	THIRD ANGLE PROJECTION	
▽ = 0			D		
		EC NO: 115716			<b>molex</b>
		DRWN: TYE			MX123
		CHKD: JDENG02			66/73/80CKT HRNS CONN ASSY
		REV: APPR: JDENG02			PRODUCT CUSTOMER DRAWING
					SERIES MATERIAL NUMBER CUSTOMER
					34566 SEE BOM TABLE GENERAL MARKET
					DOCUMENT NUMBER DOC TYPE DOC PART SHEET NUMBER
					SD-34566-001 PSD 000 33 OF 93

STATUS	GM PART #	MATERIAL #	WIRE DRESS OPTION	KEY OPTION	COLOR (TPA)	NUMBERS INDICATE CAVITIES OPEN FOR CIRCUITS																																																																						
AVAILABLE	NOT APPLICABLE	34566-2893	0	A	BLACK	<table border="1"> <tr><td>72</td><td></td><td></td><td>69</td><td>67</td><td>65</td><td>63</td><td></td><td>60</td><td></td><td>57</td><td>56</td><td></td><td>53</td></tr> <tr><td></td><td></td><td></td><td>49</td><td>47</td><td>46</td><td>44</td><td>43</td><td></td><td>40</td><td></td><td>37</td><td>36</td><td>35</td><td>33</td></tr> <tr><td></td><td></td><td></td><td></td><td>31</td><td>30</td><td>29</td><td>28</td><td></td><td>24</td><td></td><td>21</td><td>20</td><td></td><td>17</td></tr> <tr><td></td><td></td><td></td><td></td><td>16</td><td>15</td><td>14</td><td>13</td><td></td><td>11</td><td>10</td><td></td><td>5</td><td>4</td><td>3</td><td>2</td><td>1</td></tr> </table>	72			69	67	65	63		60		57	56		53				49	47	46	44	43		40		37	36	35	33					31	30	29	28		24		21	20		17					16	15	14	13		11	10		5	4	3	2	1									
72			69	67	65	63		60		57	56		53																																																															
			49	47	46	44	43		40		37	36	35	33																																																														
				31	30	29	28		24		21	20		17																																																														
				16	15	14	13		11	10		5	4	3	2	1																																																												
AVAILABLE	NOT APPLICABLE	34566-2913	0	B	ST GRY	<table border="1"> <tr><td></td><td></td><td></td><td>68</td><td>67</td><td></td><td>64</td><td></td><td></td><td></td><td></td><td>58</td><td></td><td></td><td></td><td></td><td></td></tr> <tr><td></td><td></td><td></td><td></td><td></td><td>46</td><td>45</td><td></td><td></td><td></td><td></td><td>38</td><td></td><td></td><td></td><td></td><td></td></tr> <tr><td></td><td></td><td></td><td></td><td>32</td><td></td><td>30</td><td>29</td><td>28</td><td>27</td><td></td><td></td><td>22</td><td></td><td></td><td></td><td>17</td></tr> <tr><td></td><td></td><td></td><td></td><td></td><td>15</td><td>13</td><td></td><td></td><td>10</td><td></td><td></td><td></td><td></td><td></td><td></td><td>1</td></tr> </table>				68	67		64					58											46	45					38										32		30	29	28	27			22				17						15	13			10							1		
			68	67		64					58																																																																	
					46	45					38																																																																	
				32		30	29	28	27			22				17																																																												
					15	13			10							1																																																												
AVAILABLE	NOT APPLICABLE	34566-2923	0	B	ST GRY	<table border="1"> <tr><td></td><td></td><td></td><td>68</td><td>67</td><td></td><td>64</td><td></td><td></td><td></td><td></td><td></td><td></td><td></td><td></td><td></td><td></td></tr> <tr><td></td><td></td><td></td><td></td><td></td><td>46</td><td>45</td><td></td><td></td><td></td><td></td><td></td><td></td><td></td><td></td><td></td><td></td></tr> <tr><td></td><td></td><td></td><td></td><td>32</td><td></td><td>30</td><td>29</td><td>28</td><td>27</td><td></td><td></td><td></td><td></td><td></td><td></td><td>17</td></tr> <tr><td></td><td></td><td></td><td></td><td></td><td>15</td><td>13</td><td></td><td></td><td>10</td><td></td><td></td><td></td><td></td><td></td><td></td><td></td></tr> </table>				68	67		64																46	45															32		30	29	28	27							17						15	13			10									
			68	67		64																																																																						
					46	45																																																																						
				32		30	29	28	27							17																																																												
					15	13			10																																																																			
AVAILABLE	NOT APPLICABLE	34566-2933	0	A	BLACK	<table border="1"> <tr><td>72</td><td></td><td></td><td>69</td><td>67</td><td>65</td><td>63</td><td></td><td>60</td><td></td><td>57</td><td>56</td><td></td><td>53</td></tr> <tr><td></td><td></td><td></td><td>49</td><td>47</td><td></td><td>44</td><td>43</td><td></td><td>40</td><td></td><td>37</td><td>36</td><td>35</td><td>33</td></tr> <tr><td></td><td></td><td></td><td></td><td>31</td><td>30</td><td>29</td><td>28</td><td></td><td>24</td><td></td><td>21</td><td>20</td><td></td><td>17</td></tr> <tr><td></td><td></td><td></td><td></td><td>16</td><td>15</td><td>14</td><td></td><td></td><td>11</td><td>10</td><td></td><td>5</td><td>4</td><td>3</td><td>2</td><td>1</td></tr> </table>	72			69	67	65	63		60		57	56		53				49	47		44	43		40		37	36	35	33					31	30	29	28		24		21	20		17					16	15	14			11	10		5	4	3	2	1									
72			69	67	65	63		60		57	56		53																																																															
			49	47		44	43		40		37	36	35	33																																																														
				31	30	29	28		24		21	20		17																																																														
				16	15	14			11	10		5	4	3	2	1																																																												
AVAILABLE	NOT APPLICABLE	34566-2943	0	B	ST GRY	<table border="1"> <tr><td></td><td></td><td></td><td>68</td><td>67</td><td></td><td>64</td><td>63</td><td></td><td></td><td>59</td><td>57</td><td></td><td></td><td></td><td></td><td></td></tr> <tr><td></td><td></td><td></td><td></td><td></td><td>46</td><td>45</td><td>43</td><td></td><td></td><td>39</td><td>37</td><td></td><td></td><td></td><td></td><td></td></tr> <tr><td></td><td></td><td></td><td></td><td>32</td><td></td><td>30</td><td>29</td><td>28</td><td>27</td><td></td><td></td><td>21</td><td></td><td></td><td></td><td></td></tr> <tr><td></td><td></td><td></td><td></td><td></td><td></td><td></td><td></td><td></td><td>10</td><td></td><td>6</td><td>5</td><td>4</td><td>3</td><td></td><td></td></tr> </table>				68	67		64	63			59	57											46	45	43			39	37										32		30	29	28	27			21														10		6	5	4	3				
			68	67		64	63			59	57																																																																	
					46	45	43			39	37																																																																	
				32		30	29	28	27			21																																																																
									10		6	5	4	3																																																														
AVAILABLE	NOT APPLICABLE	34566-2953	0	B	ST GRY	<table border="1"> <tr><td></td><td></td><td></td><td>68</td><td>67</td><td></td><td>64</td><td>63</td><td></td><td></td><td>59</td><td></td><td></td><td></td><td></td><td></td><td></td></tr> <tr><td></td><td></td><td></td><td></td><td></td><td>46</td><td>45</td><td>43</td><td></td><td></td><td>39</td><td></td><td></td><td></td><td></td><td>34</td><td></td></tr> <tr><td></td><td></td><td></td><td></td><td>32</td><td></td><td>30</td><td>29</td><td>28</td><td>27</td><td></td><td></td><td></td><td></td><td></td><td></td><td></td></tr> <tr><td></td><td></td><td></td><td></td><td></td><td></td><td></td><td></td><td></td><td>10</td><td></td><td>6</td><td>5</td><td>4</td><td>3</td><td></td><td></td></tr> </table>				68	67		64	63			59												46	45	43			39					34						32		30	29	28	27																	10		6	5	4	3				
			68	67		64	63			59																																																																		
					46	45	43			39					34																																																													
				32		30	29	28	27																																																																			
									10		6	5	4	3																																																														
AVAILABLE	NOT APPLICABLE	34566-2963	0	H	ST GRY	<table border="1"> <tr><td></td><td>79</td><td></td><td></td><td></td><td>74</td><td>73</td><td>72</td><td>71</td><td>69</td><td>68</td><td>67</td><td></td><td>64</td><td>62</td><td>61</td></tr> <tr><td></td><td>59</td><td></td><td></td><td></td><td>54</td><td>53</td><td>52</td><td></td><td>49</td><td>48</td><td>47</td><td></td><td></td><td>42</td><td>41</td></tr> <tr><td></td><td></td><td>38</td><td></td><td></td><td></td><td>33</td><td></td><td></td><td>29</td><td>27</td><td>25</td><td></td><td></td><td></td><td>21</td></tr> <tr><td></td><td></td><td></td><td></td><td></td><td>15</td><td>14</td><td></td><td></td><td>11</td><td>10</td><td>9</td><td>8</td><td>7</td><td></td><td></td></tr> </table>		79				74	73	72	71	69	68	67		64	62	61		59				54	53	52		49	48	47			42	41			38				33			29	27	25				21						15	14			11	10	9	8	7								
	79				74	73	72	71	69	68	67		64	62	61																																																													
	59				54	53	52		49	48	47			42	41																																																													
		38				33			29	27	25				21																																																													
					15	14			11	10	9	8	7																																																															
AVAILABLE	NOT APPLICABLE	34566-2973	0	G	BLUE	<table border="1"> <tr><td>80</td><td>78</td><td>77</td><td></td><td>75</td><td>74</td><td>73</td><td>72</td><td></td><td>70</td><td>69</td><td></td><td>67</td><td>65</td><td>64</td><td>63</td><td>62</td></tr> <tr><td>60</td><td>58</td><td>57</td><td></td><td>55</td><td>54</td><td></td><td>52</td><td>51</td><td>50</td><td>49</td><td></td><td>47</td><td>45</td><td></td><td></td><td></td></tr> <tr><td>40</td><td>38</td><td>37</td><td></td><td></td><td></td><td></td><td>33</td><td>32</td><td>31</td><td></td><td></td><td>27</td><td>26</td><td>25</td><td>24</td><td></td></tr> <tr><td>20</td><td>18</td><td>17</td><td></td><td></td><td></td><td></td><td></td><td></td><td>10</td><td>9</td><td>8</td><td></td><td>6</td><td>5</td><td></td><td>3</td><td>2</td><td>1</td></tr> </table>	80	78	77		75	74	73	72		70	69		67	65	64	63	62	60	58	57		55	54		52	51	50	49		47	45				40	38	37					33	32	31			27	26	25	24		20	18	17							10	9	8		6	5		3	2	1
80	78	77		75	74	73	72		70	69		67	65	64	63	62																																																												
60	58	57		55	54		52	51	50	49		47	45																																																															
40	38	37					33	32	31			27	26	25	24																																																													
20	18	17							10	9	8		6	5		3	2	1																																																										

<b>QUALITY SYMBOLS</b> = 0 = 0 = 0 = 0 = 0 = 0 = 0 = 0 = 0	THIS DRAWING CONTAINS INFORMATION THAT IS PROPRIETARY TO MOLEX ELECTRONIC TECHNOLOGIES, LLC AND SHOULD NOT BE USED WITHOUT WRITTEN PERMISSION										
	2017/04/12	2017/04/21	GENERAL TOLERANCES (UNLESS SPECIFIED)		DIMENSION UNITS	SCALE					
	DRWN: TYE	CHKD: JDENG02	ANGULAR TOL ± °		MM	1:1					
	EC NO: 115716 G50	REV APPR: JDENG02	4 PLACES ±	SKRAJENDRANA		DATE	MX123 66/73/80CKT HRNS CONN ASSY				
			3 PLACES ±	MVANSLAMBROU		DATE					
			2 PLACES ±			DATE					
			1 PLACE ±			DATE					
			0 PLACES ±			DATE					
	DRAFT WHERE APPLICABLE MUST REMAIN WITHIN DIMENSIONS		DRAWING SIZE	THIRD ANGLE PROJECTION			PRODUCT CUSTOMER DRAWING				
			D				SERIES: 34566 MATERIAL NUMBER: SEE BOM TABLE CUSTOMER: GENERAL MARKET				
				DOCUMENT NUMBER: SD-34566-001		DOC TYPE: PSD		DOC PART: 000		SHEET NUMBER: 34 OF 93	

STATUS	GM PART #	MATERIAL #	WIRE DRESS OPTION	KEY OPTION	COLOR (TPA)	NUMBERS INDICATE CAVITIES OPEN FOR CIRCUITS																																																																																																				
AVAILABLE	NOT APPLICABLE	34566-9913	0	A	BLACK	<table border="1"> <tr><td>72</td><td>71</td><td></td><td></td><td>68</td><td>67</td><td>66</td><td>65</td><td>64</td><td></td><td></td><td></td><td></td><td></td><td>59</td><td></td><td></td><td></td><td></td><td></td></tr> <tr><td></td><td></td><td>50</td><td></td><td>48</td><td>47</td><td>46</td><td>45</td><td></td><td></td><td></td><td></td><td></td><td></td><td>40</td><td>39</td><td>38</td><td></td><td></td><td></td></tr> <tr><td></td><td></td><td>73</td><td></td><td></td><td>31</td><td>30</td><td></td><td></td><td></td><td></td><td></td><td></td><td>25</td><td>24</td><td></td><td>22</td><td>21</td><td>20</td><td></td></tr> <tr><td></td><td></td><td></td><td></td><td></td><td></td><td>14</td><td></td><td></td><td></td><td></td><td></td><td></td><td>9</td><td></td><td>7</td><td>6</td><td>5</td><td>4</td><td></td></tr> <tr><td></td><td></td><td></td><td></td><td></td><td></td><td></td><td></td><td></td><td></td><td></td><td></td><td></td><td></td><td></td><td></td><td></td><td></td><td>2</td><td>1</td></tr> </table>	72	71			68	67	66	65	64						59								50		48	47	46	45							40	39	38						73			31	30							25	24		22	21	20								14							9		7	6	5	4																				2	1
72	71			68	67	66	65	64						59																																																																																												
		50		48	47	46	45							40	39	38																																																																																										
		73			31	30							25	24		22	21	20																																																																																								
						14							9		7	6	5	4																																																																																								
																		2	1																																																																																							
AVAILABLE	NOT APPLICABLE	34566-9923	0	A	BLACK	<table border="1"> <tr><td>72</td><td>71</td><td></td><td></td><td></td><td>67</td><td>66</td><td></td><td></td><td></td><td>62</td><td>61</td><td>60</td><td></td><td></td><td></td><td>57</td><td></td><td>55</td><td>54</td></tr> <tr><td></td><td>51</td><td></td><td></td><td>48</td><td>46</td><td>45</td><td>44</td><td>43</td><td>42</td><td></td><td></td><td>39</td><td></td><td></td><td></td><td></td><td></td><td>35</td><td>33</td></tr> <tr><td></td><td></td><td>73</td><td></td><td></td><td></td><td></td><td></td><td></td><td></td><td>26</td><td>25</td><td>24</td><td></td><td></td><td></td><td></td><td></td><td></td><td></td></tr> <tr><td></td><td></td><td></td><td></td><td></td><td>15</td><td>14</td><td></td><td></td><td></td><td></td><td></td><td></td><td>8</td><td>7</td><td>6</td><td>5</td><td>4</td><td>3</td><td>2</td></tr> </table>	72	71				67	66				62	61	60				57		55	54		51			48	46	45	44	43	42			39						35	33			73								26	25	24													15	14							8	7	6	5	4	3	2																				
72	71				67	66				62	61	60				57		55	54																																																																																							
	51			48	46	45	44	43	42			39						35	33																																																																																							
		73								26	25	24																																																																																														
					15	14							8	7	6	5	4	3	2																																																																																							
AVAILABLE	NOT APPLICABLE	34566-9933	0	B	ST GRY	<table border="1"> <tr><td></td><td></td><td></td><td></td><td>69</td><td></td><td></td><td></td><td>65</td><td>64</td><td>63</td><td></td><td></td><td></td><td></td><td></td><td></td><td></td><td></td><td></td></tr> <tr><td></td><td></td><td></td><td></td><td>49</td><td></td><td></td><td></td><td>45</td><td>44</td><td>43</td><td></td><td></td><td></td><td></td><td></td><td></td><td></td><td></td><td></td></tr> <tr><td></td><td></td><td>73</td><td></td><td></td><td></td><td></td><td></td><td></td><td></td><td></td><td></td><td></td><td></td><td></td><td>22</td><td>21</td><td>20</td><td>19</td><td>18</td></tr> <tr><td></td><td></td><td></td><td></td><td></td><td></td><td></td><td></td><td>12</td><td>11</td><td></td><td></td><td></td><td></td><td>6</td><td>5</td><td>4</td><td>3</td><td>2</td><td>1</td></tr> </table>					69				65	64	63														49				45	44	43												73													22	21	20	19	18									12	11					6	5	4	3	2	1																				
				69				65	64	63																																																																																																
				49				45	44	43																																																																																																
		73													22	21	20	19	18																																																																																							
								12	11					6	5	4	3	2	1																																																																																							
AVAILABLE	NOT APPLICABLE	34566-9943	0	C	BLUE	<table border="1"> <tr><td></td><td>71</td><td></td><td>69</td><td></td><td></td><td></td><td></td><td>65</td><td>64</td><td></td><td></td><td>61</td><td>60</td><td></td><td>58</td><td></td><td>56</td><td>55</td><td>54</td></tr> <tr><td></td><td></td><td>50</td><td>49</td><td></td><td></td><td></td><td></td><td>45</td><td>43</td><td></td><td></td><td>41</td><td></td><td></td><td></td><td></td><td>37</td><td>36</td><td>35</td></tr> <tr><td></td><td></td><td>73</td><td></td><td></td><td>31</td><td>29</td><td>28</td><td></td><td></td><td></td><td></td><td>24</td><td>23</td><td></td><td></td><td></td><td></td><td>19</td><td>18</td></tr> <tr><td></td><td></td><td></td><td></td><td></td><td>16</td><td></td><td></td><td>13</td><td>12</td><td>11</td><td></td><td></td><td>8</td><td>7</td><td></td><td></td><td></td><td>3</td><td>2</td></tr> <tr><td></td><td></td><td></td><td></td><td></td><td></td><td></td><td></td><td></td><td></td><td></td><td></td><td></td><td></td><td></td><td></td><td></td><td></td><td></td><td>1</td></tr> </table>		71		69					65	64			61	60		58		56	55	54			50	49					45	43			41					37	36	35			73			31	29	28					24	23					19	18						16			13	12	11			8	7				3	2																				1
	71		69					65	64			61	60		58		56	55	54																																																																																							
		50	49					45	43			41					37	36	35																																																																																							
		73			31	29	28					24	23					19	18																																																																																							
					16			13	12	11			8	7				3	2																																																																																							
																			1																																																																																							
AVAILABLE	NOT APPLICABLE	34566-9953	0	A	BLACK	<table border="1"> <tr><td></td><td></td><td></td><td></td><td></td><td>67</td><td></td><td></td><td></td><td></td><td>62</td><td></td><td>60</td><td></td><td></td><td></td><td>57</td><td></td><td>55</td><td></td></tr> <tr><td></td><td>51</td><td></td><td></td><td>48</td><td></td><td>46</td><td>45</td><td>44</td><td>43</td><td></td><td></td><td></td><td>39</td><td></td><td></td><td></td><td></td><td>35</td><td></td></tr> <tr><td></td><td></td><td>73</td><td></td><td></td><td></td><td></td><td></td><td></td><td></td><td></td><td></td><td>25</td><td></td><td></td><td></td><td></td><td></td><td></td><td></td></tr> <tr><td></td><td></td><td></td><td></td><td></td><td>15</td><td>14</td><td></td><td></td><td></td><td></td><td></td><td></td><td>7</td><td>6</td><td>5</td><td>4</td><td>3</td><td>2</td><td></td></tr> </table>						67					62		60				57		55			51			48		46	45	44	43				39					35				73										25													15	14							7	6	5	4	3	2																					
					67					62		60				57		55																																																																																								
	51			48		46	45	44	43				39					35																																																																																								
		73										25																																																																																														
					15	14							7	6	5	4	3	2																																																																																								
AVAILABLE	NOT APPLICABLE	34566-9963	0	B	ST GRY	<table border="1"> <tr><td></td><td></td><td></td><td></td><td>68</td><td>67</td><td></td><td></td><td>64</td><td>63</td><td></td><td></td><td></td><td></td><td>58</td><td></td><td></td><td></td><td>55</td><td></td></tr> <tr><td></td><td></td><td></td><td></td><td></td><td></td><td>46</td><td>45</td><td>43</td><td></td><td></td><td></td><td></td><td></td><td>38</td><td></td><td></td><td></td><td>35</td><td></td></tr> <tr><td></td><td></td><td>73</td><td></td><td></td><td>32</td><td>30</td><td>29</td><td>28</td><td>27</td><td></td><td></td><td></td><td></td><td>22</td><td></td><td></td><td></td><td>19</td><td>17</td></tr> <tr><td></td><td></td><td></td><td></td><td></td><td>15</td><td>13</td><td></td><td></td><td>10</td><td></td><td></td><td></td><td></td><td></td><td></td><td></td><td></td><td></td><td>1</td></tr> </table>					68	67			64	63					58				55								46	45	43						38				35				73			32	30	29	28	27					22				19	17						15	13			10										1																				
				68	67			64	63					58				55																																																																																								
						46	45	43						38				35																																																																																								
		73			32	30	29	28	27					22				19	17																																																																																							
					15	13			10										1																																																																																							
AVAILABLE	NOT APPLICABLE	34566-9973	0	B	ST GRY	<table border="1"> <tr><td></td><td></td><td></td><td></td><td>68</td><td>67</td><td></td><td></td><td>64</td><td>63</td><td></td><td></td><td></td><td></td><td>58</td><td></td><td></td><td></td><td></td><td></td></tr> <tr><td></td><td></td><td></td><td></td><td></td><td></td><td>46</td><td>45</td><td>43</td><td></td><td></td><td></td><td></td><td></td><td>38</td><td></td><td></td><td></td><td></td><td></td></tr> <tr><td></td><td></td><td>73</td><td></td><td></td><td>32</td><td>30</td><td>29</td><td>28</td><td>27</td><td></td><td></td><td></td><td></td><td>22</td><td></td><td></td><td></td><td></td><td>17</td></tr> <tr><td></td><td></td><td></td><td></td><td></td><td>15</td><td>13</td><td></td><td></td><td>10</td><td></td><td></td><td></td><td></td><td></td><td></td><td></td><td></td><td></td><td></td></tr> </table>					68	67			64	63					58												46	45	43						38								73			32	30	29	28	27					22					17						15	13			10																														
				68	67			64	63					58																																																																																												
						46	45	43						38																																																																																												
		73			32	30	29	28	27					22					17																																																																																							
					15	13			10																																																																																																	


<b>QUALITY SYMBOLS</b> = 0 = 0 = 0 = 0 = 0 = 0 = 0 = 0 = 0	THIS DRAWING CONTAINS INFORMATION THAT IS PROPRIETARY TO MOLEX ELECTRONIC TECHNOLOGIES, LLC AND SHOULD NOT BE USED WITHOUT WRITTEN PERMISSION										
	2017/04/12	2017/04/21	GENERAL TOLERANCES (UNLESS SPECIFIED)		DIMENSION UNITS	SCALE					
	DRWN BY	DATE	ANGULAR TOL ± °		MM	1:1					
	4 PLACES ±		SKRAJENDRANA		2011/02/14						
	3 PLACES ±		CHKD BY		DATE						
	2 PLACES ±		MVANSLAMBROU		2011/02/14						
	1 PLACE ±		APPR BY		DATE						
	0 PLACES ±										
	DRAFT WHERE APPLICABLE MUST REMAIN WITHIN DIMENSIONS		DRAWING SIZE	THIRD ANGLE PROJECTION							
			D								
EC NO: 115716	DRWN: TYE	CHKD: JDENG02	REV: APPR: JDENG02	G50		SERIES		MATERIAL NUMBER		CUSTOMER	
				34566		SEE BOM TABLE		GENERAL MARKET		PRODUCT CUSTOMER DRAWING	
				DOCUMENT NUMBER		DOC TYPE		DOC PART		SHEET NUMBER	
				SD-34566-001		PSD		000		35 OF 93	



STATUS	GM PART #	MATERIAL #	WIRE DRESS OPTION	KEY OPTION	COLOR (TPA)	NUMBERS INDICATE CAVITIES OPEN FOR CIRCUITS																																																																																				
AVAILABLE	NOT APPLICABLE	34566-2983	9	A	BLACK	<table border="1"> <tr><td></td><td></td><td>70</td><td>69</td><td></td><td></td><td></td><td></td><td></td><td></td><td>63</td><td>62</td><td>61</td><td></td><td></td><td>58</td><td>57</td><td>56</td><td>55</td><td>54</td><td>53</td></tr> <tr><td>52</td><td>51</td><td></td><td>49</td><td></td><td></td><td></td><td></td><td></td><td>44</td><td>43</td><td>42</td><td>41</td><td></td><td></td><td></td><td>37</td><td>36</td><td></td><td>34</td><td></td></tr> <tr><td colspan="2">73</td><td></td><td>32</td><td></td><td></td><td>29</td><td>28</td><td>27</td><td>26</td><td></td><td></td><td></td><td></td><td></td><td></td><td></td><td></td><td>19</td><td>18</td><td>17</td></tr> <tr><td colspan="2"></td><td></td><td>16</td><td>15</td><td></td><td>13</td><td>12</td><td>11</td><td>10</td><td></td><td></td><td></td><td></td><td></td><td></td><td></td><td></td><td>3</td><td>2</td><td>1</td></tr> </table>			70	69							63	62	61			58	57	56	55	54	53	52	51		49						44	43	42	41				37	36		34		73			32			29	28	27	26									19	18	17				16	15		13	12	11	10									3	2	1
		70	69							63	62	61			58	57	56	55	54	53																																																																						
52	51		49						44	43	42	41				37	36		34																																																																							
73			32			29	28	27	26									19	18	17																																																																						
			16	15		13	12	11	10									3	2	1																																																																						
AVAILABLE	NOT APPLICABLE	34566-2993	9	B	ST GRY	<table border="1"> <tr><td>72</td><td>71</td><td>70</td><td></td><td>68</td><td>67</td><td>66</td><td></td><td></td><td></td><td>62</td><td>61</td><td>60</td><td>59</td><td>58</td><td>57</td><td>56</td><td>55</td><td>54</td><td>53</td></tr> <tr><td>52</td><td>51</td><td>50</td><td></td><td>48</td><td>47</td><td>46</td><td></td><td></td><td></td><td>42</td><td>41</td><td>40</td><td>39</td><td>38</td><td>37</td><td>36</td><td>35</td><td>34</td><td>33</td></tr> <tr><td colspan="2">73</td><td></td><td>32</td><td>31</td><td>30</td><td>29</td><td>28</td><td>27</td><td>26</td><td>25</td><td>24</td><td></td><td></td><td></td><td></td><td></td><td></td><td></td><td></td></tr> <tr><td colspan="2"></td><td></td><td>16</td><td>15</td><td>14</td><td>13</td><td></td><td></td><td>10</td><td>9</td><td>8</td><td></td><td></td><td></td><td></td><td></td><td></td><td></td><td></td></tr> </table>	72	71	70		68	67	66				62	61	60	59	58	57	56	55	54	53	52	51	50		48	47	46				42	41	40	39	38	37	36	35	34	33	73			32	31	30	29	28	27	26	25	24												16	15	14	13			10	9	8												
72	71	70		68	67	66				62	61	60	59	58	57	56	55	54	53																																																																							
52	51	50		48	47	46				42	41	40	39	38	37	36	35	34	33																																																																							
73			32	31	30	29	28	27	26	25	24																																																																															
			16	15	14	13			10	9	8																																																																															
AVAILABLE	NOT APPLICABLE	34566-3013	9	C	BLUE	<table border="1"> <tr><td>72</td><td>71</td><td>70</td><td>69</td><td>68</td><td>67</td><td>66</td><td></td><td></td><td>63</td><td>62</td><td></td><td></td><td>59</td><td></td><td>57</td><td>56</td><td>55</td><td></td><td>53</td></tr> <tr><td>52</td><td>51</td><td></td><td></td><td></td><td></td><td>46</td><td></td><td>44</td><td>42</td><td></td><td></td><td>40</td><td>39</td><td>38</td><td></td><td></td><td></td><td></td><td>34</td><td>33</td></tr> <tr><td colspan="2">73</td><td></td><td>32</td><td></td><td>30</td><td></td><td></td><td></td><td>26</td><td>25</td><td></td><td></td><td></td><td>22</td><td>21</td><td></td><td></td><td>19</td><td>18</td></tr> <tr><td colspan="2"></td><td></td><td></td><td>15</td><td>14</td><td></td><td></td><td></td><td>10</td><td>9</td><td></td><td></td><td></td><td>6</td><td>5</td><td>4</td><td>3</td><td></td><td></td></tr> </table>	72	71	70	69	68	67	66			63	62			59		57	56	55		53	52	51					46		44	42			40	39	38					34	33	73			32		30				26	25				22	21			19	18					15	14				10	9				6	5	4	3					
72	71	70	69	68	67	66			63	62			59		57	56	55		53																																																																							
52	51					46		44	42			40	39	38					34	33																																																																						
73			32		30				26	25				22	21			19	18																																																																							
				15	14				10	9				6	5	4	3																																																																									
AVAILABLE	NOT APPLICABLE	34566-3023	0	G	BLUE	<table border="1"> <tr><td></td><td>79</td><td></td><td></td><td>76</td><td></td><td></td><td></td><td></td><td>71</td><td></td><td></td><td>68</td><td>66</td><td></td><td></td><td></td><td></td><td></td><td>61</td></tr> <tr><td></td><td>59</td><td></td><td></td><td>56</td><td></td><td></td><td>53</td><td></td><td></td><td></td><td>48</td><td>46</td><td></td><td>44</td><td>43</td><td>42</td><td>41</td><td></td><td></td></tr> <tr><td></td><td>39</td><td></td><td></td><td>36</td><td>35</td><td>34</td><td></td><td></td><td></td><td>30</td><td>29</td><td>28</td><td></td><td></td><td></td><td>23</td><td>22</td><td>21</td><td></td></tr> <tr><td></td><td>19</td><td></td><td></td><td>16</td><td>15</td><td>14</td><td>13</td><td>12</td><td>11</td><td></td><td></td><td>7</td><td></td><td></td><td>4</td><td></td><td></td><td></td><td></td></tr> </table>		79			76					71			68	66						61		59			56			53				48	46		44	43	42	41				39			36	35	34				30	29	28				23	22	21			19			16	15	14	13	12	11			7			4								
	79			76					71			68	66						61																																																																							
	59			56			53				48	46		44	43	42	41																																																																									
	39			36	35	34				30	29	28				23	22	21																																																																								
	19			16	15	14	13	12	11			7			4																																																																											
AVAILABLE	NOT APPLICABLE	34566-3033	0	H	ST GRY	<table border="1"> <tr><td>80</td><td></td><td>78</td><td>77</td><td>76</td><td>75</td><td></td><td></td><td></td><td>70</td><td></td><td></td><td></td><td>66</td><td>65</td><td></td><td>63</td><td></td><td></td><td></td></tr> <tr><td>60</td><td></td><td>58</td><td>57</td><td>56</td><td>55</td><td></td><td></td><td></td><td>51</td><td>50</td><td></td><td></td><td>46</td><td>45</td><td>44</td><td>43</td><td></td><td></td><td></td></tr> <tr><td>40</td><td>39</td><td></td><td>37</td><td>36</td><td>35</td><td>34</td><td></td><td></td><td>32</td><td>31</td><td>30</td><td></td><td>28</td><td>26</td><td>24</td><td>23</td><td>22</td><td></td><td></td></tr> <tr><td>20</td><td>19</td><td>18</td><td>17</td><td>16</td><td></td><td></td><td>13</td><td>12</td><td></td><td></td><td></td><td></td><td></td><td>6</td><td>5</td><td>4</td><td>3</td><td>2</td><td>1</td></tr> </table>	80		78	77	76	75				70				66	65		63				60		58	57	56	55				51	50			46	45	44	43				40	39		37	36	35	34			32	31	30		28	26	24	23	22			20	19	18	17	16			13	12						6	5	4	3	2	1				
80		78	77	76	75				70				66	65		63																																																																										
60		58	57	56	55				51	50			46	45	44	43																																																																										
40	39		37	36	35	34			32	31	30		28	26	24	23	22																																																																									
20	19	18	17	16			13	12						6	5	4	3	2	1																																																																							
AVAILABLE	NOT APPLICABLE	34566-3043	0	C	BLUE	<table border="1"> <tr><td>72</td><td></td><td>70</td><td></td><td>68</td><td></td><td>66</td><td></td><td></td><td>63</td><td>62</td><td></td><td></td><td>59</td><td></td><td>57</td><td></td><td></td><td></td><td>53</td></tr> <tr><td>52</td><td>51</td><td></td><td></td><td>48</td><td>47</td><td>46</td><td></td><td>44</td><td></td><td>42</td><td></td><td>40</td><td>39</td><td></td><td></td><td></td><td></td><td>34</td><td>33</td></tr> <tr><td colspan="2">73</td><td></td><td>32</td><td></td><td>30</td><td></td><td></td><td></td><td>27</td><td>26</td><td>25</td><td></td><td></td><td>22</td><td>21</td><td>20</td><td></td><td></td><td></td></tr> <tr><td colspan="2"></td><td></td><td></td><td>15</td><td>14</td><td>13</td><td></td><td></td><td>10</td><td>9</td><td></td><td></td><td></td><td>6</td><td>5</td><td>4</td><td></td><td></td><td></td></tr> </table>	72		70		68		66			63	62			59		57				53	52	51			48	47	46		44		42		40	39					34	33	73			32		30				27	26	25			22	21	20								15	14	13			10	9				6	5	4							
72		70		68		66			63	62			59		57				53																																																																							
52	51			48	47	46		44		42		40	39					34	33																																																																							
73			32		30				27	26	25			22	21	20																																																																										
				15	14	13			10	9				6	5	4																																																																										
AVAILABLE	NOT APPLICABLE	34566-3053	0	C	BLUE	<table border="1"> <tr><td>72</td><td></td><td>70</td><td></td><td>68</td><td></td><td>66</td><td></td><td></td><td>63</td><td>62</td><td></td><td></td><td>59</td><td></td><td>57</td><td></td><td></td><td></td><td>53</td></tr> <tr><td>52</td><td>51</td><td></td><td></td><td>48</td><td>47</td><td>46</td><td></td><td>44</td><td></td><td>42</td><td></td><td>40</td><td>39</td><td>38</td><td></td><td></td><td></td><td>34</td><td>33</td></tr> <tr><td colspan="2">73</td><td></td><td>32</td><td></td><td>30</td><td></td><td></td><td></td><td>27</td><td>26</td><td>25</td><td></td><td></td><td>22</td><td>21</td><td>20</td><td></td><td></td><td></td></tr> <tr><td colspan="2"></td><td></td><td></td><td>15</td><td>14</td><td>13</td><td></td><td></td><td>10</td><td>9</td><td></td><td></td><td></td><td>6</td><td>5</td><td>4</td><td></td><td></td><td></td></tr> </table>	72		70		68		66			63	62			59		57				53	52	51			48	47	46		44		42		40	39	38				34	33	73			32		30				27	26	25			22	21	20								15	14	13			10	9				6	5	4							
72		70		68		66			63	62			59		57				53																																																																							
52	51			48	47	46		44		42		40	39	38				34	33																																																																							
73			32		30				27	26	25			22	21	20																																																																										
				15	14	13			10	9				6	5	4																																																																										
AVAILABLE	NOT APPLICABLE	34566-3063	0	A	BLACK	<table border="1"> <tr><td></td><td>71</td><td></td><td>69</td><td></td><td></td><td></td><td></td><td>65</td><td>64</td><td>63</td><td></td><td></td><td>60</td><td></td><td>58</td><td>57</td><td>56</td><td>55</td><td>54</td><td>53</td></tr> <tr><td>52</td><td>51</td><td></td><td>49</td><td></td><td></td><td></td><td></td><td>45</td><td>44</td><td>43</td><td>42</td><td>41</td><td></td><td></td><td></td><td>37</td><td>36</td><td>35</td><td>34</td><td>33</td></tr> <tr><td colspan="2">73</td><td></td><td>32</td><td></td><td></td><td>30</td><td></td><td></td><td>28</td><td>26</td><td>26</td><td></td><td></td><td></td><td></td><td></td><td></td><td>19</td><td>18</td><td></td></tr> <tr><td colspan="2"></td><td></td><td>16</td><td></td><td></td><td></td><td>12</td><td></td><td>10</td><td></td><td></td><td></td><td></td><td></td><td></td><td></td><td></td><td>3</td><td></td><td></td></tr> </table>		71		69					65	64	63			60		58	57	56	55	54	53	52	51		49					45	44	43	42	41				37	36	35	34	33	73			32			30			28	26	26							19	18					16				12		10									3		
	71		69					65	64	63			60		58	57	56	55	54	53																																																																						
52	51		49					45	44	43	42	41				37	36	35	34	33																																																																						
73			32			30			28	26	26							19	18																																																																							
			16				12		10									3																																																																								

<b>QUALITY SYMBOLS</b> = 0 = 0 = 0 = 0 = 0 = 0 = 0 = 0 = 0	THIS DRAWING CONTAINS INFORMATION THAT IS PROPRIETARY TO MOLEX ELECTRONIC TECHNOLOGIES, LLC AND SHOULD NOT BE USED WITHOUT WRITTEN PERMISSION									
	2017/04/12	2017/04/21	GENERAL TOLERANCES (UNLESS SPECIFIED)		DIMENSION UNITS	SCALE				
	MM	1:1								
	DRWN BY	DATE	ANGULAR TOL ± °		SKRAJENDRANA	2011/02/14				
	4 PLACES ±	3 PLACES ±	2 PLACES ±	1 PLACE ±	0 PLACES ±	DATE				
	CHKD BY	DATE	DRAFT WHERE APPLICABLE MUST REMAIN WITHIN DIMENSIONS		DRAWING SIZE	THIRD ANGLE PROJECTION				
	MVANSLAMBROU	2011/02/14	D							
	APPR BY	DATE	PRODUCT CUSTOMER DRAWING							
	EC NO: 115716	DRWN: TYE	CHKD: JDENG02	REV: APPR: JDENG02	SERIES	MATERIAL NUMBER	CUSTOMER			
	G50				34566	SEE BOM TABLE	GENERAL MARKET			
DOCUMENT NUMBER		DOC TYPE	DOC PART	SHEET NUMBER						
SD-34566-001		PSD	000	36 OF 93						

STATUS	GM PART #	MATERIAL #	WIRE DRESS OPTION	KEY OPTION ▽	COLOR (TPA) ▽	NUMBERS INDICATE CAVITIES OPEN FOR CIRCUITS ▽	
AVAILABLE	NOT APPLICABLE	34566-3073	0	A	BLACK	71 69 65 64 63 60 57 56 55 54 53 52 51 49 45 44 43 42 41 37 36 35 34 33 73 32 30 28 26 23 19 18 16 12 10 8 7 6 3	
AVAILABLE	NOT APPLICABLE	34566-3083	0	A	BLACK	71 69 65 64 63 60 58 57 56 55 54 53 52 51 49 45 44 43 42 41 37 36 35 34 33 73 32 30 28 26 23 19 18 16 11 10 3	
AVAILABLE	NOT APPLICABLE	34566-3093	0	A	BLACK	71 69 64 63 62 60 57 56 55 54 53 52 51 49 45 44 43 42 41 37 36 35 34 33 73 32 30 28 26 23 19 18 16 12 10 3	
AVAILABLE	NOT APPLICABLE	34566-3113	0	A	BLACK	71 69 65 64 63 60 57 56 55 54 53 52 51 49 45 44 43 42 41 37 36 35 34 33 73 32 30 28 26 23 21 19 18 16 12 10 8 5 3	
AVAILABLE	NOT APPLICABLE	34566-3123	0	B	ST GRY	72 70 68 66 60 59 55 54 53 52 51 50 48 46 40 39 35 34 33 73 32 31 30 29 28 27 26 25 24 23 22 21 20 16 10 9 8 6 5 4	
AVAILABLE	NOT APPLICABLE	34566-3133	0	C	BLUE	72 70 68 67 66 63 62 59 57 53 52 51 48 47 46 44 42 40 39 34 33 73 32 30 26 25 22 21 20 15 14 10 9 6 5 4	
AVAILABLE	NOT APPLICABLE	34566-3143	0	C	BLUE	72 70 66 63 62 59 57 53 52 51 46 44 42 40 39 37 36 34 33 73 32 30 26 25 22 21 15 14 10 9 6	
AVAILABLE	NOT APPLICABLE	34566-3153	0	A	BLACK	70 69 63 58 56 54 52 51 49 47 44 43 42 41 36 34 73 32 28 26 19 18 16 12 10 3	

<b>QUALITY SYMBOLS</b> ▽ = 0 ▽ = 0 ▽ = 0 ▽ = 0 ▽ = 0 ▽ = 0 ▽ = 0 ▽ = 0 ▽ = 0	THIS DRAWING CONTAINS INFORMATION THAT IS PROPRIETARY TO MOLEX ELECTRONIC TECHNOLOGIES, LLC AND SHOULD NOT BE USED WITHOUT WRITTEN PERMISSION												
	2017/04/12	2017/04/21	GENERAL TOLERANCES (UNLESS SPECIFIED)				DIMENSION UNITS	SCALE	 MX123 66/73/80CKT HRNS CONN ASSY PRODUCT CUSTOMER DRAWING				
	EC NO: 115716 DRWN: TYE CHKD: REV APPR: JDENG02	ANGULAR TOL ± °				MM	1:1	DRWN BY				DATE	
		4 PLACES ±				SKRAJENDRANA	2011/02/14	CHKD BY				DATE	
		3 PLACES ±				MVANSLAMBROU	2011/02/14	APPR BY				DATE	
		2 PLACES ±											
		1 PLACE ±											
	0 PLACES ±				DRAFT WHERE APPLICABLE MUST REMAIN WITHIN DIMENSIONS		DRAWING SIZE	THIRD ANGLE PROJECTION	SERIES	MATERIAL NUMBER	CUSTOMER		
	G50				D		34566	SEE BOM TABLE	GENERAL MARKET	DOCUMENT NUMBER	DOC TYPE	DOC PART	SHEET NUMBER
									SD-34566-001	PSD	000	37 OF 93	

STATUS	GM PART #	MATERIAL #	WIRE DRESS OPTION	KEY OPTION ▽	COLOR (TPA) ▽	NUMBERS INDICATE CAVITIES OPEN FOR CIRCUITS ▽																																																																																	
AVAILABLE	NOT APPLICABLE	34566-3163	0	C	BLUE	<table border="1"> <tr><td>72</td><td>70</td><td></td><td></td><td></td><td></td><td></td><td></td><td>63</td><td>62</td><td></td><td></td><td>59</td><td>57</td><td>56</td><td>55</td><td></td><td>53</td></tr> <tr><td>52</td><td>51</td><td></td><td></td><td></td><td></td><td>46</td><td>44</td><td></td><td>42</td><td></td><td>40</td><td>39</td><td></td><td>37</td><td>36</td><td></td><td>34</td><td>33</td></tr> <tr><td colspan="2">73</td><td></td><td>32</td><td></td><td></td><td></td><td></td><td></td><td>26</td><td>25</td><td></td><td></td><td>22</td><td>21</td><td></td><td></td><td>19</td><td>18</td></tr> <tr><td colspan="2"></td><td></td><td>15</td><td>14</td><td></td><td></td><td></td><td></td><td>10</td><td>9</td><td></td><td></td><td>6</td><td></td><td></td><td></td><td>3</td><td></td></tr> </table>	72	70							63	62			59	57	56	55		53	52	51					46	44		42		40	39		37	36		34	33	73			32						26	25			22	21			19	18				15	14					10	9			6				3							
72	70							63	62			59	57	56	55		53																																																																						
52	51					46	44		42		40	39		37	36		34	33																																																																					
73			32						26	25			22	21			19	18																																																																					
			15	14					10	9			6				3																																																																						
AVAILABLE	NOT APPLICABLE	34566-3173	0	A	BLACK	<table border="1"> <tr><td></td><td></td><td>70</td><td>69</td><td></td><td></td><td></td><td></td><td></td><td>63</td><td></td><td></td><td></td><td></td><td>58</td><td></td><td>56</td><td></td><td>54</td></tr> <tr><td>52</td><td>51</td><td></td><td>49</td><td></td><td></td><td></td><td></td><td>44</td><td>43</td><td>42</td><td>41</td><td></td><td></td><td></td><td></td><td>36</td><td></td><td>34</td></tr> <tr><td colspan="2">73</td><td></td><td>32</td><td></td><td></td><td></td><td></td><td>28</td><td></td><td>26</td><td></td><td></td><td></td><td></td><td></td><td></td><td>19</td><td>18</td></tr> <tr><td colspan="2"></td><td></td><td>16</td><td></td><td></td><td></td><td></td><td>12</td><td></td><td>10</td><td></td><td></td><td></td><td></td><td></td><td></td><td>3</td><td>2</td></tr> </table>			70	69						63					58		56		54	52	51		49					44	43	42	41					36		34	73			32					28		26							19	18				16					12		10							3	2					
		70	69						63					58		56		54																																																																					
52	51		49					44	43	42	41					36		34																																																																					
73			32					28		26							19	18																																																																					
			16					12		10							3	2																																																																					
AVAILABLE	NOT APPLICABLE	34566-3183	0	C	BLUE	<table border="1"> <tr><td>72</td><td>70</td><td></td><td></td><td></td><td></td><td>66</td><td></td><td>63</td><td>62</td><td></td><td></td><td>59</td><td></td><td>57</td><td>56</td><td>55</td><td></td><td>53</td></tr> <tr><td>52</td><td>51</td><td></td><td></td><td></td><td></td><td>46</td><td>44</td><td></td><td>42</td><td></td><td>40</td><td>39</td><td></td><td></td><td></td><td></td><td></td><td>34</td><td>33</td></tr> <tr><td colspan="2">73</td><td></td><td></td><td></td><td></td><td>30</td><td></td><td></td><td>26</td><td>25</td><td></td><td></td><td>22</td><td>21</td><td></td><td></td><td></td><td></td></tr> <tr><td colspan="2"></td><td></td><td>15</td><td>14</td><td></td><td></td><td></td><td></td><td>10</td><td>9</td><td></td><td></td><td>6</td><td></td><td></td><td></td><td></td><td></td></tr> </table>	72	70					66		63	62			59		57	56	55		53	52	51					46	44		42		40	39						34	33	73						30			26	25			22	21								15	14					10	9			6									
72	70					66		63	62			59		57	56	55		53																																																																					
52	51					46	44		42		40	39						34	33																																																																				
73						30			26	25			22	21																																																																									
			15	14					10	9			6																																																																										
AVAILABLE	NOT APPLICABLE	34566-3193	0	A	BLACK	<table border="1"> <tr><td></td><td></td><td></td><td>69</td><td></td><td></td><td></td><td></td><td></td><td>63</td><td></td><td></td><td></td><td></td><td>58</td><td></td><td>56</td><td>55</td><td>54</td><td>53</td></tr> <tr><td>52</td><td>51</td><td></td><td>49</td><td></td><td></td><td></td><td></td><td>44</td><td>43</td><td>42</td><td>41</td><td></td><td></td><td></td><td></td><td>36</td><td>35</td><td>34</td><td>33</td></tr> <tr><td colspan="2">73</td><td></td><td>32</td><td></td><td></td><td></td><td></td><td>28</td><td></td><td>26</td><td></td><td></td><td></td><td></td><td></td><td></td><td>19</td><td>18</td><td>17</td></tr> <tr><td colspan="2"></td><td></td><td>16</td><td></td><td></td><td></td><td></td><td>12</td><td></td><td>10</td><td></td><td></td><td></td><td></td><td></td><td></td><td>3</td><td>2</td><td>1</td></tr> </table>				69						63					58		56	55	54	53	52	51		49					44	43	42	41					36	35	34	33	73			32					28		26							19	18	17				16					12		10							3	2	1	
			69						63					58		56	55	54	53																																																																				
52	51		49					44	43	42	41					36	35	34	33																																																																				
73			32					28		26							19	18	17																																																																				
			16					12		10							3	2	1																																																																				
AVAILABLE	NOT APPLICABLE	34566-3213	0	C	BLUE	<table border="1"> <tr><td>72</td><td>70</td><td></td><td></td><td></td><td></td><td>67</td><td>66</td><td></td><td>63</td><td>62</td><td></td><td>59</td><td></td><td></td><td>56</td><td></td><td></td><td></td><td>53</td></tr> <tr><td>52</td><td>51</td><td></td><td></td><td></td><td></td><td>46</td><td>44</td><td></td><td>42</td><td></td><td>40</td><td></td><td></td><td></td><td></td><td></td><td></td><td></td><td>34</td><td>33</td></tr> <tr><td colspan="2">73</td><td></td><td>32</td><td></td><td></td><td>30</td><td></td><td></td><td>26</td><td>25</td><td></td><td></td><td>22</td><td>21</td><td></td><td></td><td></td><td></td><td></td></tr> <tr><td colspan="2"></td><td></td><td>15</td><td>14</td><td></td><td></td><td></td><td></td><td>10</td><td>9</td><td></td><td></td><td>6</td><td>5</td><td>4</td><td></td><td></td><td></td><td></td></tr> </table>	72	70					67	66		63	62		59			56				53	52	51					46	44		42		40								34	33	73			32			30			26	25			22	21									15	14					10	9			6	5	4				
72	70					67	66		63	62		59			56				53																																																																				
52	51					46	44		42		40								34	33																																																																			
73			32			30			26	25			22	21																																																																									
			15	14					10	9			6	5	4																																																																								
AVAILABLE	NOT APPLICABLE	34566-3223	0	C	BLUE	<table border="1"> <tr><td>72</td><td>70</td><td></td><td></td><td></td><td></td><td>67</td><td>66</td><td></td><td>63</td><td>62</td><td></td><td>59</td><td></td><td>57</td><td></td><td></td><td></td><td></td><td>53</td></tr> <tr><td>52</td><td>51</td><td></td><td></td><td></td><td></td><td>46</td><td>44</td><td></td><td>42</td><td></td><td>40</td><td>39</td><td></td><td></td><td></td><td></td><td></td><td></td><td>34</td><td>33</td></tr> <tr><td colspan="2">73</td><td></td><td>32</td><td></td><td></td><td>30</td><td></td><td></td><td>27</td><td>26</td><td>25</td><td></td><td></td><td>22</td><td>21</td><td></td><td></td><td></td><td></td></tr> <tr><td colspan="2"></td><td></td><td>15</td><td>14</td><td></td><td></td><td></td><td></td><td>10</td><td>9</td><td></td><td></td><td>6</td><td>5</td><td>4</td><td></td><td></td><td></td><td></td></tr> </table>	72	70					67	66		63	62		59		57					53	52	51					46	44		42		40	39							34	33	73			32			30			27	26	25			22	21								15	14					10	9			6	5	4				
72	70					67	66		63	62		59		57					53																																																																				
52	51					46	44		42		40	39							34	33																																																																			
73			32			30			27	26	25			22	21																																																																								
			15	14					10	9			6	5	4																																																																								
AVAILABLE	NOT APPLICABLE	34566-3233	0	A	BLACK	<table border="1"> <tr><td></td><td></td><td>70</td><td>69</td><td></td><td></td><td></td><td></td><td></td><td>63</td><td>62</td><td>61</td><td></td><td></td><td>58</td><td>57</td><td>56</td><td>55</td><td>54</td><td>53</td></tr> <tr><td>52</td><td>51</td><td></td><td>49</td><td></td><td></td><td></td><td></td><td>44</td><td>43</td><td>42</td><td>41</td><td></td><td></td><td></td><td>37</td><td>36</td><td></td><td></td><td>34</td></tr> <tr><td colspan="2">73</td><td></td><td>32</td><td></td><td></td><td></td><td></td><td>29</td><td>28</td><td>27</td><td>26</td><td></td><td></td><td></td><td></td><td></td><td></td><td>19</td><td>18</td></tr> <tr><td colspan="2"></td><td></td><td>16</td><td>15</td><td></td><td>13</td><td>12</td><td>11</td><td>10</td><td></td><td></td><td></td><td></td><td></td><td></td><td></td><td></td><td>3</td><td></td></tr> </table>			70	69						63	62	61			58	57	56	55	54	53	52	51		49					44	43	42	41				37	36			34	73			32					29	28	27	26							19	18				16	15		13	12	11	10									3		
		70	69						63	62	61			58	57	56	55	54	53																																																																				
52	51		49					44	43	42	41				37	36			34																																																																				
73			32					29	28	27	26							19	18																																																																				
			16	15		13	12	11	10									3																																																																					
AVAILABLE	NOT APPLICABLE	34566-3243	0	C	BLUE	<table border="1"> <tr><td>72</td><td>70</td><td></td><td></td><td></td><td></td><td>66</td><td></td><td>63</td><td>62</td><td></td><td></td><td>59</td><td></td><td>57</td><td></td><td></td><td></td><td></td><td>53</td></tr> <tr><td>52</td><td>51</td><td></td><td></td><td></td><td></td><td>46</td><td>44</td><td></td><td>42</td><td></td><td>40</td><td>39</td><td></td><td></td><td></td><td></td><td></td><td></td><td>34</td><td>33</td></tr> <tr><td colspan="2">73</td><td></td><td>32</td><td></td><td></td><td>30</td><td></td><td></td><td>26</td><td>25</td><td></td><td></td><td>22</td><td>21</td><td></td><td></td><td></td><td></td><td></td></tr> <tr><td colspan="2"></td><td></td><td>15</td><td>14</td><td></td><td></td><td></td><td></td><td>10</td><td>9</td><td></td><td></td><td>6</td><td>5</td><td>4</td><td></td><td></td><td></td><td></td></tr> </table>	72	70					66		63	62			59		57					53	52	51					46	44		42		40	39							34	33	73			32			30			26	25			22	21									15	14					10	9			6	5	4				
72	70					66		63	62			59		57					53																																																																				
52	51					46	44		42		40	39							34	33																																																																			
73			32			30			26	25			22	21																																																																									
			15	14					10	9			6	5	4																																																																								

<b>QUALITY SYMBOLS</b> ▽ = 0 ▽ = 0 ▽ = 0 ▽ = 0 ▽ = 0 ▽ = 0 ▽ = 0 ▽ = 0 ▽ = 0 ▽ = 0	THIS DRAWING CONTAINS INFORMATION THAT IS PROPRIETARY TO MOLEX ELECTRONIC TECHNOLOGIES, LLC AND SHOULD NOT BE USED WITHOUT WRITTEN PERMISSION			
	2017/04/12	2017/04/21	GENERAL TOLERANCES (UNLESS SPECIFIED)	DIMENSION UNITS MM
	EC NO: 115716 DRWN: TYE CHKD: REV APPR: JDENG02	G50	ANGULAR TOL ± °	SCALE 1:1
			4 PLACES ±	DRWN BY SKRAJENDRANA
			3 PLACES ±	DATE 2011/02/14
			2 PLACES ±	CHKD BY MVANSLAMBROU
			1 PLACE ±	DATE 2011/02/14
	0 PLACES ±	APPR BY	DRAFT WHERE APPLICABLE MUST REMAIN WITHIN DIMENSIONS	DRAWING SIZE D
				THIRD ANGLE PROJECTION

**MX123**  
66/73/80CKT HRNS CONN ASSY

PRODUCT CUSTOMER DRAWING

SERIES 34566	MATERIAL NUMBER SEE BOM TABLE	CUSTOMER GENERAL MARKET
DOCUMENT NUMBER SD-34566-001	DOC TYPE PSD	DOC PART SHEET NUMBER 000 38 OF 93

STATUS	GM PART #	MATERIAL #	WIRE DRESS OPTION	KEY OPTION	COLOR (TPA)	NUMBERS INDICATE CAVITIES OPEN FOR CIRCUITS																																																																																				
AVAILABLE	NOT APPLICABLE	34566-3253	0	A	BLACK	<table border="1"> <tr><td></td><td></td><td>70</td><td>69</td><td></td><td></td><td></td><td></td><td></td><td></td><td>63</td><td></td><td></td><td></td><td></td><td>58</td><td></td><td>56</td><td>55</td><td>54</td><td>53</td></tr> <tr><td>52</td><td>51</td><td></td><td>49</td><td></td><td></td><td></td><td></td><td></td><td>44</td><td>43</td><td>42</td><td>41</td><td></td><td></td><td></td><td></td><td>36</td><td></td><td>34</td><td></td></tr> <tr><td colspan="2">73</td><td></td><td></td><td>32</td><td></td><td></td><td></td><td>28</td><td></td><td>26</td><td></td><td></td><td></td><td></td><td></td><td></td><td></td><td>19</td><td>18</td><td></td></tr> <tr><td></td><td></td><td></td><td></td><td>16</td><td>15</td><td></td><td></td><td>12</td><td></td><td>10</td><td></td><td></td><td></td><td></td><td></td><td></td><td></td><td>3</td><td></td><td></td></tr> </table>			70	69							63					58		56	55	54	53	52	51		49						44	43	42	41					36		34		73				32				28		26								19	18						16	15			12		10								3		
		70	69							63					58		56	55	54	53																																																																						
52	51		49						44	43	42	41					36		34																																																																							
73				32				28		26								19	18																																																																							
				16	15			12		10								3																																																																								
AVAILABLE	NOT APPLICABLE	34566-3263	0	C	BLUE	<table border="1"> <tr><td>72</td><td></td><td>70</td><td></td><td></td><td></td><td></td><td></td><td>66</td><td></td><td>63</td><td>62</td><td></td><td></td><td>59</td><td></td><td>57</td><td>56</td><td>55</td><td></td><td>53</td></tr> <tr><td>52</td><td>51</td><td></td><td></td><td></td><td></td><td></td><td></td><td>46</td><td></td><td>44</td><td>42</td><td></td><td>40</td><td>39</td><td></td><td></td><td></td><td></td><td>34</td><td>33</td></tr> <tr><td colspan="2">73</td><td></td><td></td><td>32</td><td></td><td>30</td><td></td><td></td><td></td><td>26</td><td>25</td><td></td><td></td><td>22</td><td>21</td><td></td><td></td><td>19</td><td>18</td><td></td></tr> <tr><td></td><td></td><td></td><td></td><td>15</td><td>14</td><td></td><td></td><td></td><td></td><td>10</td><td>9</td><td></td><td></td><td>6</td><td>5</td><td>4</td><td>3</td><td></td><td></td><td></td></tr> </table>	72		70						66		63	62			59		57	56	55		53	52	51							46		44	42		40	39					34	33	73				32		30				26	25			22	21			19	18						15	14					10	9			6	5	4	3			
72		70						66		63	62			59		57	56	55		53																																																																						
52	51							46		44	42		40	39					34	33																																																																						
73				32		30				26	25			22	21			19	18																																																																							
				15	14					10	9			6	5	4	3																																																																									
AVAILABLE	NOT APPLICABLE	34566-3273	0	A	BLACK	<table border="1"> <tr><td></td><td></td><td>70</td><td>69</td><td></td><td></td><td></td><td></td><td></td><td></td><td>63</td><td></td><td></td><td></td><td></td><td>58</td><td></td><td>56</td><td>55</td><td>54</td><td>53</td></tr> <tr><td>52</td><td>51</td><td></td><td>49</td><td></td><td></td><td></td><td></td><td></td><td>44</td><td>43</td><td>42</td><td>41</td><td></td><td></td><td></td><td></td><td>36</td><td></td><td>34</td><td></td></tr> <tr><td colspan="2">73</td><td></td><td></td><td>32</td><td></td><td></td><td></td><td>28</td><td></td><td>26</td><td></td><td></td><td></td><td></td><td></td><td></td><td></td><td>19</td><td>18</td><td>17</td></tr> <tr><td></td><td></td><td></td><td></td><td>16</td><td>15</td><td></td><td></td><td>12</td><td></td><td>10</td><td></td><td></td><td></td><td></td><td></td><td></td><td></td><td>3</td><td>2</td><td>1</td></tr> </table>			70	69							63					58		56	55	54	53	52	51		49						44	43	42	41					36		34		73				32				28		26								19	18	17					16	15			12		10								3	2	1
		70	69							63					58		56	55	54	53																																																																						
52	51		49						44	43	42	41					36		34																																																																							
73				32				28		26								19	18	17																																																																						
				16	15			12		10								3	2	1																																																																						
AVAILABLE	NOT APPLICABLE	34566-3283	0	C	BLUE	<table border="1"> <tr><td>72</td><td></td><td>70</td><td></td><td></td><td></td><td>67</td><td>66</td><td></td><td></td><td>63</td><td>62</td><td></td><td></td><td>59</td><td></td><td>57</td><td></td><td></td><td></td><td>53</td></tr> <tr><td>52</td><td>51</td><td></td><td></td><td></td><td></td><td>46</td><td></td><td>44</td><td></td><td>42</td><td></td><td>40</td><td>39</td><td></td><td></td><td></td><td></td><td></td><td>34</td><td>33</td></tr> <tr><td colspan="2">73</td><td></td><td></td><td></td><td></td><td>30</td><td></td><td></td><td></td><td>26</td><td>25</td><td></td><td></td><td>22</td><td>21</td><td></td><td></td><td></td><td></td><td></td></tr> <tr><td></td><td></td><td></td><td></td><td>15</td><td>14</td><td></td><td></td><td></td><td></td><td>10</td><td>9</td><td></td><td></td><td>6</td><td>5</td><td>4</td><td></td><td></td><td></td><td></td></tr> </table>	72		70				67	66			63	62			59		57				53	52	51					46		44		42		40	39						34	33	73						30				26	25			22	21										15	14					10	9			6	5	4				
72		70				67	66			63	62			59		57				53																																																																						
52	51					46		44		42		40	39						34	33																																																																						
73						30				26	25			22	21																																																																											
				15	14					10	9			6	5	4																																																																										
AVAILABLE	NOT APPLICABLE	34566-3293	0	B	ST GRY	<table border="1"> <tr><td>72</td><td>71</td><td>70</td><td></td><td>68</td><td>67</td><td>66</td><td></td><td></td><td></td><td>62</td><td>61</td><td>60</td><td>59</td><td>58</td><td>57</td><td>56</td><td>55</td><td>54</td><td>53</td></tr> <tr><td>52</td><td>51</td><td>50</td><td></td><td>48</td><td>47</td><td></td><td></td><td></td><td></td><td>42</td><td>41</td><td>40</td><td>39</td><td>38</td><td>37</td><td>36</td><td>35</td><td>34</td><td>33</td></tr> <tr><td colspan="2">73</td><td></td><td></td><td>32</td><td>31</td><td>30</td><td>29</td><td>28</td><td>27</td><td>26</td><td>25</td><td>24</td><td>23</td><td></td><td></td><td></td><td></td><td></td><td></td></tr> <tr><td></td><td></td><td></td><td></td><td>16</td><td>15</td><td>14</td><td>13</td><td></td><td></td><td>10</td><td>9</td><td>8</td><td></td><td></td><td></td><td></td><td></td><td></td><td></td></tr> </table>	72	71	70		68	67	66				62	61	60	59	58	57	56	55	54	53	52	51	50		48	47					42	41	40	39	38	37	36	35	34	33	73				32	31	30	29	28	27	26	25	24	23											16	15	14	13			10	9	8											
72	71	70		68	67	66				62	61	60	59	58	57	56	55	54	53																																																																							
52	51	50		48	47					42	41	40	39	38	37	36	35	34	33																																																																							
73				32	31	30	29	28	27	26	25	24	23																																																																													
				16	15	14	13			10	9	8																																																																														
AVAILABLE	NOT APPLICABLE	34566-3313	0	C	BLUE	<table border="1"> <tr><td>72</td><td></td><td>70</td><td></td><td></td><td></td><td></td><td></td><td></td><td></td><td>63</td><td>62</td><td></td><td></td><td>59</td><td></td><td>57</td><td></td><td></td><td></td><td>53</td></tr> <tr><td>52</td><td>51</td><td></td><td></td><td></td><td></td><td>46</td><td></td><td>44</td><td></td><td>42</td><td></td><td>40</td><td>39</td><td></td><td></td><td></td><td></td><td></td><td>34</td><td>33</td></tr> <tr><td colspan="2">73</td><td></td><td></td><td>32</td><td></td><td>30</td><td></td><td></td><td></td><td>26</td><td>25</td><td></td><td></td><td>22</td><td>21</td><td></td><td></td><td></td><td></td><td></td></tr> <tr><td></td><td></td><td></td><td></td><td>15</td><td>14</td><td></td><td></td><td></td><td></td><td></td><td></td><td></td><td></td><td>6</td><td>5</td><td>4</td><td></td><td></td><td></td><td></td></tr> </table>	72		70								63	62			59		57				53	52	51					46		44		42		40	39						34	33	73				32		30				26	25			22	21										15	14									6	5	4				
72		70								63	62			59		57				53																																																																						
52	51					46		44		42		40	39						34	33																																																																						
73				32		30				26	25			22	21																																																																											
				15	14									6	5	4																																																																										
AVAILABLE	NOT APPLICABLE	34566-3323	0	B	ST GRY	<table border="1"> <tr><td></td><td></td><td></td><td></td><td>68</td><td>67</td><td>66</td><td>65</td><td>64</td><td>63</td><td></td><td></td><td></td><td></td><td>58</td><td></td><td>55</td><td></td><td></td><td></td><td></td></tr> <tr><td></td><td></td><td></td><td>49</td><td>48</td><td></td><td>46</td><td>45</td><td>44</td><td>43</td><td></td><td></td><td></td><td></td><td>38</td><td></td><td></td><td></td><td></td><td></td><td></td></tr> <tr><td colspan="2">73</td><td></td><td></td><td>32</td><td></td><td>30</td><td>29</td><td>28</td><td>27</td><td></td><td></td><td></td><td></td><td>22</td><td></td><td></td><td></td><td></td><td></td><td>17</td></tr> <tr><td></td><td></td><td></td><td></td><td>16</td><td></td><td></td><td></td><td></td><td></td><td>10</td><td></td><td></td><td></td><td></td><td></td><td></td><td></td><td></td><td></td><td></td></tr> </table>					68	67	66	65	64	63					58		55								49	48		46	45	44	43					38							73				32		30	29	28	27					22						17					16						10										
				68	67	66	65	64	63					58		55																																																																										
			49	48		46	45	44	43					38																																																																												
73				32		30	29	28	27					22						17																																																																						
				16						10																																																																																
AVAILABLE	NOT APPLICABLE	34566-3333	0	A	BLACK	<table border="1"> <tr><td>72</td><td>71</td><td>70</td><td>69</td><td>68</td><td></td><td></td><td>65</td><td>64</td><td>63</td><td></td><td>61</td><td></td><td>59</td><td>58</td><td>57</td><td>56</td><td></td><td>54</td><td></td></tr> <tr><td>52</td><td>51</td><td>50</td><td>49</td><td></td><td>47</td><td></td><td></td><td></td><td></td><td>42</td><td>41</td><td></td><td></td><td>38</td><td>37</td><td>36</td><td></td><td>34</td><td>33</td></tr> <tr><td colspan="2">73</td><td></td><td></td><td>32</td><td>31</td><td>30</td><td>29</td><td>28</td><td>27</td><td>26</td><td></td><td>24</td><td>23</td><td></td><td></td><td>20</td><td>19</td><td>18</td><td>17</td></tr> <tr><td></td><td></td><td></td><td></td><td>16</td><td></td><td></td><td>13</td><td>12</td><td>11</td><td>10</td><td>9</td><td></td><td></td><td></td><td></td><td></td><td>3</td><td>2</td><td>1</td></tr> </table>	72	71	70	69	68			65	64	63		61		59	58	57	56		54		52	51	50	49		47					42	41			38	37	36		34	33	73				32	31	30	29	28	27	26		24	23			20	19	18	17					16			13	12	11	10	9						3	2	1				
72	71	70	69	68			65	64	63		61		59	58	57	56		54																																																																								
52	51	50	49		47					42	41			38	37	36		34	33																																																																							
73				32	31	30	29	28	27	26		24	23			20	19	18	17																																																																							
				16			13	12	11	10	9						3	2	1																																																																							

<b>QUALITY SYMBOLS</b> 	THIS DRAWING CONTAINS INFORMATION THAT IS PROPRIETARY TO MOLEX ELECTRONIC TECHNOLOGIES, LLC AND SHOULD NOT BE USED WITHOUT WRITTEN PERMISSION										
	EC NO: 115716 DRWN: TYE CHKD: REV APPR: JDENG02	2017/04/12 2017/04/21	GENERAL TOLERANCES (UNLESS SPECIFIED)		DIMENSION UNITS	SCALE					
			ANGULAR TOL ± °		MM	1:1					
			4 PLACES ±	DRWN BY	DATE						
			3 PLACES ±	SKRAJENDRANA	2011/02/14						
			2 PLACES ±	CHKD BY	DATE						
	1 PLACE ±	MVANSLAMBROU	2011/02/14								
	0 PLACES ±	APPR BY	DATE	DRAWING SIZE		THIRD ANGLE PROJECTION	PRODUCT CUSTOMER DRAWING				
	DRAFT WHERE APPLICABLE MUST REMAIN WITHIN DIMENSIONS		D		SERIES	MATERIAL NUMBER	CUSTOMER	MX123 66/73/80CKT HRNS CONN ASSY			
			G50		34566	SEE BOM TABLE	GENERAL MARKET	DOCUMENT NUMBER: SD-34566-001   DOC TYPE: PSD   DOC PART: 000   SHEET NUMBER: 39 OF 93			

STATUS	GM PART #	MATERIAL #	PART/MATERIAL REVISION	WIRE DRESS OPTION	KEY OPTION Fp	COLOR (TPA) Fp	NUMBERS INDICATE CAVITIES OPEN FOR CIRCUITS Fp																																																																																			
AVAILABLE	NOT APPLICABLE	34566-3343	G	0	A	BLACK	<table border="1"> <tr><td>72</td><td></td><td></td><td>69</td><td>67</td><td>66</td><td>65</td><td>63</td><td></td><td></td><td>60</td><td></td><td></td><td>57</td><td>56</td><td></td><td></td><td>53</td></tr> <tr><td></td><td></td><td></td><td>49</td><td>47</td><td></td><td></td><td>44</td><td>43</td><td>42</td><td>40</td><td></td><td></td><td>37</td><td>36</td><td>35</td><td></td><td>33</td></tr> <tr><td colspan="3">73</td><td></td><td>31</td><td>30</td><td>29</td><td>28</td><td></td><td>26</td><td>24</td><td></td><td></td><td>21</td><td>20</td><td></td><td></td><td>17</td></tr> <tr><td></td><td></td><td></td><td>16</td><td>15</td><td>14</td><td>13</td><td></td><td>11</td><td>10</td><td></td><td></td><td></td><td>5</td><td>4</td><td>3</td><td>2</td><td>1</td></tr> </table>	72			69	67	66	65	63			60			57	56			53				49	47			44	43	42	40			37	36	35		33	73				31	30	29	28		26	24			21	20			17				16	15	14	13		11	10				5	4	3	2	1											
72			69	67	66	65	63			60			57	56			53																																																																									
			49	47			44	43	42	40			37	36	35		33																																																																									
73				31	30	29	28		26	24			21	20			17																																																																									
			16	15	14	13		11	10				5	4	3	2	1																																																																									
AVAILABLE	NOT APPLICABLE	34566-3353	G	0	B	ST GRY	<table border="1"> <tr><td></td><td></td><td></td><td>68</td><td>67</td><td></td><td></td><td>64</td><td></td><td></td><td></td><td></td><td></td><td>59</td><td>58</td><td></td><td></td><td>54</td></tr> <tr><td></td><td></td><td></td><td></td><td></td><td>46</td><td>45</td><td></td><td></td><td></td><td></td><td></td><td></td><td>39</td><td>38</td><td></td><td></td><td></td></tr> <tr><td colspan="3">73</td><td></td><td>32</td><td>30</td><td>29</td><td>28</td><td>27</td><td></td><td></td><td></td><td></td><td>23</td><td>22</td><td></td><td></td><td>17</td></tr> <tr><td></td><td></td><td></td><td></td><td></td><td></td><td></td><td>12</td><td>10</td><td></td><td>8</td><td></td><td></td><td></td><td></td><td></td><td></td><td>1</td></tr> </table>				68	67			64						59	58			54						46	45							39	38				73				32	30	29	28	27					23	22			17								12	10		8							1											
			68	67			64						59	58			54																																																																									
					46	45							39	38																																																																												
73				32	30	29	28	27					23	22			17																																																																									
							12	10		8							1																																																																									
AVAILABLE	NOT APPLICABLE	34566-3363	G	0	A	BLACK	<table border="1"> <tr><td></td><td>71</td><td></td><td>69</td><td>68</td><td></td><td></td><td>65</td><td>64</td><td>63</td><td></td><td>61</td><td></td><td>59</td><td></td><td>57</td><td>56</td><td></td><td>54</td></tr> <tr><td>52</td><td></td><td>50</td><td>49</td><td></td><td>47</td><td></td><td></td><td></td><td></td><td>42</td><td>41</td><td>40</td><td>39</td><td>38</td><td>37</td><td>36</td><td></td><td>34</td><td>33</td></tr> <tr><td colspan="3">73</td><td></td><td>32</td><td>31</td><td>30</td><td>29</td><td>28</td><td>27</td><td>26</td><td></td><td>24</td><td>23</td><td>22</td><td></td><td>20</td><td>19</td><td>18</td><td></td></tr> <tr><td></td><td></td><td></td><td>16</td><td></td><td></td><td></td><td>13</td><td>12</td><td>11</td><td>10</td><td>9</td><td></td><td></td><td></td><td></td><td></td><td></td><td></td><td>1</td></tr> </table>		71		69	68			65	64	63		61		59		57	56		54	52		50	49		47					42	41	40	39	38	37	36		34	33	73				32	31	30	29	28	27	26		24	23	22		20	19	18					16				13	12	11	10	9								1				
	71		69	68			65	64	63		61		59		57	56		54																																																																								
52		50	49		47					42	41	40	39	38	37	36		34	33																																																																							
73				32	31	30	29	28	27	26		24	23	22		20	19	18																																																																								
			16				13	12	11	10	9								1																																																																							
AVAILABLE	NOT APPLICABLE	34566-3373	G	9	C	BLUE	<table border="1"> <tr><td>72</td><td></td><td>70</td><td></td><td>68</td><td>67</td><td>66</td><td></td><td></td><td>63</td><td>62</td><td></td><td></td><td>59</td><td></td><td>57</td><td>56</td><td>55</td><td></td><td>53</td></tr> <tr><td>52</td><td>51</td><td></td><td></td><td>48</td><td>47</td><td>46</td><td></td><td>44</td><td></td><td>42</td><td></td><td>40</td><td>39</td><td>38</td><td></td><td></td><td></td><td></td><td>34</td><td>33</td></tr> <tr><td colspan="3">73</td><td></td><td>32</td><td></td><td>30</td><td></td><td></td><td></td><td>26</td><td>25</td><td></td><td></td><td>22</td><td>21</td><td></td><td></td><td>19</td><td>18</td><td></td></tr> <tr><td></td><td></td><td></td><td></td><td>15</td><td>14</td><td></td><td></td><td></td><td></td><td>10</td><td>9</td><td></td><td></td><td>6</td><td>5</td><td>4</td><td>3</td><td></td><td></td><td></td></tr> </table>	72		70		68	67	66			63	62			59		57	56	55		53	52	51			48	47	46		44		42		40	39	38					34	33	73				32		30				26	25			22	21			19	18						15	14					10	9			6	5	4	3			
72		70		68	67	66			63	62			59		57	56	55		53																																																																							
52	51			48	47	46		44		42		40	39	38					34	33																																																																						
73				32		30				26	25			22	21			19	18																																																																							
				15	14					10	9			6	5	4	3																																																																									
AVAILABLE	NOT APPLICABLE	34566-3383	G	0	A	BLACK	<table border="1"> <tr><td></td><td></td><td>70</td><td>69</td><td>68</td><td></td><td></td><td>65</td><td>64</td><td>63</td><td></td><td>61</td><td></td><td>59</td><td>58</td><td>57</td><td>56</td><td></td><td>54</td><td></td></tr> <tr><td>52</td><td></td><td>50</td><td>49</td><td>48</td><td>47</td><td></td><td></td><td></td><td></td><td>42</td><td>41</td><td></td><td></td><td>38</td><td>37</td><td>36</td><td></td><td>34</td><td>33</td></tr> <tr><td colspan="3">73</td><td></td><td>32</td><td>31</td><td>30</td><td>29</td><td>28</td><td>27</td><td>26</td><td></td><td>24</td><td>23</td><td></td><td></td><td>20</td><td>19</td><td>18</td><td></td></tr> <tr><td></td><td></td><td></td><td></td><td>16</td><td></td><td></td><td></td><td>13</td><td>12</td><td>11</td><td>10</td><td>9</td><td></td><td></td><td></td><td></td><td></td><td></td><td>1</td></tr> </table>			70	69	68			65	64	63		61		59	58	57	56		54		52		50	49	48	47					42	41			38	37	36		34	33	73				32	31	30	29	28	27	26		24	23			20	19	18						16				13	12	11	10	9							1			
		70	69	68			65	64	63		61		59	58	57	56		54																																																																								
52		50	49	48	47					42	41			38	37	36		34	33																																																																							
73				32	31	30	29	28	27	26		24	23			20	19	18																																																																								
				16				13	12	11	10	9							1																																																																							
AVAILABLE	NOT APPLICABLE	34566-3393	G	0	C	BLUE	<table border="1"> <tr><td>72</td><td></td><td>70</td><td></td><td>68</td><td>67</td><td>66</td><td></td><td></td><td>63</td><td>62</td><td></td><td></td><td>59</td><td></td><td>57</td><td></td><td></td><td></td><td>53</td></tr> <tr><td>52</td><td>51</td><td></td><td></td><td>48</td><td>47</td><td>46</td><td></td><td>44</td><td></td><td>42</td><td></td><td>40</td><td>39</td><td></td><td></td><td></td><td></td><td></td><td>34</td><td>33</td></tr> <tr><td colspan="3">73</td><td></td><td>32</td><td></td><td>30</td><td></td><td></td><td></td><td>26</td><td>25</td><td></td><td></td><td>22</td><td>21</td><td></td><td></td><td></td><td></td><td></td></tr> <tr><td></td><td></td><td></td><td></td><td>15</td><td>14</td><td></td><td></td><td></td><td></td><td>10</td><td>9</td><td></td><td></td><td>6</td><td>5</td><td>4</td><td></td><td></td><td></td><td></td></tr> </table>	72		70		68	67	66			63	62			59		57				53	52	51			48	47	46		44		42		40	39						34	33	73				32		30				26	25			22	21										15	14					10	9			6	5	4				
72		70		68	67	66			63	62			59		57				53																																																																							
52	51			48	47	46		44		42		40	39						34	33																																																																						
73				32		30				26	25			22	21																																																																											
				15	14					10	9			6	5	4																																																																										
AVAILABLE	NOT APPLICABLE	34566-3413	G	0	A	BLACK	<table border="1"> <tr><td>72</td><td></td><td>70</td><td></td><td></td><td>67</td><td>66</td><td>65</td><td></td><td></td><td></td><td>61</td><td></td><td></td><td>58</td><td>57</td><td></td><td>55</td><td>54</td><td></td></tr> <tr><td></td><td></td><td>50</td><td>49</td><td></td><td>47</td><td></td><td>45</td><td>44</td><td>43</td><td>42</td><td>41</td><td></td><td>39</td><td></td><td>37</td><td></td><td>35</td><td></td><td>34</td><td>33</td></tr> <tr><td colspan="3">73</td><td></td><td>32</td><td></td><td>30</td><td></td><td></td><td>27</td><td>26</td><td>25</td><td>24</td><td></td><td></td><td>21</td><td>20</td><td>19</td><td>18</td><td>17</td></tr> <tr><td></td><td></td><td></td><td></td><td>16</td><td>15</td><td></td><td>13</td><td></td><td>11</td><td>10</td><td>9</td><td>8</td><td></td><td>6</td><td>5</td><td></td><td>3</td><td>2</td><td>1</td></tr> </table>	72		70			67	66	65				61			58	57		55	54				50	49		47		45	44	43	42	41		39		37		35		34	33	73				32		30			27	26	25	24			21	20	19	18	17					16	15		13		11	10	9	8		6	5		3	2	1		
72		70			67	66	65				61			58	57		55	54																																																																								
		50	49		47		45	44	43	42	41		39		37		35		34	33																																																																						
73				32		30			27	26	25	24			21	20	19	18	17																																																																							
				16	15		13		11	10	9	8		6	5		3	2	1																																																																							
AVAILABLE	NOT APPLICABLE	34566-3423	G	9	C	BLUE	<table border="1"> <tr><td></td><td></td><td></td><td>69</td><td></td><td></td><td></td><td></td><td></td><td>63</td><td></td><td></td><td></td><td>58</td><td></td><td>56</td><td>55</td><td>54</td><td>53</td><td></td></tr> <tr><td>52</td><td>51</td><td></td><td>49</td><td></td><td></td><td></td><td></td><td>44</td><td>43</td><td>42</td><td>41</td><td></td><td></td><td></td><td>36</td><td>35</td><td>34</td><td>33</td><td></td></tr> <tr><td colspan="3">73</td><td></td><td>32</td><td></td><td></td><td></td><td>28</td><td>26</td><td></td><td></td><td></td><td></td><td></td><td></td><td>19</td><td>18</td><td>17</td><td></td></tr> <tr><td></td><td></td><td></td><td></td><td>16</td><td></td><td></td><td></td><td>12</td><td>10</td><td></td><td></td><td></td><td></td><td></td><td></td><td>3</td><td>2</td><td>1</td><td></td></tr> </table>				69						63				58		56	55	54	53		52	51		49					44	43	42	41				36	35	34	33		73				32				28	26							19	18	17						16				12	10							3	2	1				
			69						63				58		56	55	54	53																																																																								
52	51		49					44	43	42	41				36	35	34	33																																																																								
73				32				28	26							19	18	17																																																																								
				16				12	10							3	2	1																																																																								

<b>QUALITY SYMBOLS</b> 	THIS DRAWING CONTAINS INFORMATION THAT IS PROPRIETARY TO MOLEX ELECTRONIC TECHNOLOGIES, LLC AND SHOULD NOT BE USED WITHOUT WRITTEN PERMISSION										
	2017/04/12	2017/04/21	GENERAL TOLERANCES (UNLESS SPECIFIED)		DIMENSION UNITS	SCALE					
	EC NO: 115716	DRWN: TYE	CHKD: JDENG02	REV: APPR: JDENG02	MM	1:1					
	ANGULAR TOL ± °		DRWN BY	DATE	SKRAJENDRANA		2011/02/14	<b>MX123</b> <b>66/73/80CKT HRNS CONN ASSY</b>			
	4 PLACES ±	CHKD BY	DATE	MVANSLAMBROU		2011/02/14					
	3 PLACES ±	APPR BY	DATE	PRODUCT CUSTOMER DRAWING							
	2 PLACES ±	DRAWING SIZE		THIRD ANGLE PROJECTION		SERIES		MATERIAL NUMBER		CUSTOMER	
	1 PLACE ±	DRAFT WHERE APPLICABLE MUST REMAIN WITHIN DIMENSIONS		D		34566	SEE BOM TABLE		GENERAL MARKET		
	0 PLACES ±					DOCUMENT NUMBER	DOC TYPE	DOC PART	SHEET NUMBER		
	□ = 0					SD-34566-001	PSD	000	40 OF 93		

STATUS	GM PART #	MATERIAL #	PART/MATERIAL REVISION	WIRE DRESS OPTION	KEY OPTION	COLOR (TPA)	NUMBERS INDICATE CAVITIES OPEN FOR CIRCUITS																																																																																				
AVAILABLE	NOT APPLICABLE	34566-3433	G	9	C	BLUE	<table border="1"> <tr><td>72</td><td>70</td><td></td><td></td><td>66</td><td></td><td>63</td><td>62</td><td></td><td>59</td><td></td><td>57</td><td>56</td><td>55</td><td></td><td>53</td></tr> <tr><td>52</td><td>51</td><td></td><td></td><td>46</td><td></td><td>44</td><td>42</td><td></td><td>40</td><td>39</td><td></td><td></td><td></td><td>34</td><td>33</td></tr> <tr><td colspan="2">73</td><td></td><td></td><td>30</td><td></td><td></td><td>26</td><td>25</td><td></td><td></td><td>22</td><td>21</td><td></td><td></td><td></td></tr> <tr><td></td><td></td><td></td><td></td><td>15</td><td>14</td><td></td><td></td><td>10</td><td>9</td><td></td><td>6</td><td></td><td></td><td></td><td></td></tr> </table>	72	70			66		63	62		59		57	56	55		53	52	51			46		44	42		40	39				34	33	73				30			26	25			22	21								15	14			10	9		6																								
72	70			66		63	62		59		57	56	55		53																																																																												
52	51			46		44	42		40	39				34	33																																																																												
73				30			26	25			22	21																																																																															
				15	14			10	9		6																																																																																
AVAILABLE	NOT APPLICABLE	34566-3443	G	0	A	BLACK	<table border="1"> <tr><td></td><td>71</td><td></td><td>69</td><td></td><td></td><td>65</td><td>64</td><td>63</td><td></td><td>60</td><td></td><td>57</td><td>56</td><td>55</td><td>54</td><td>53</td></tr> <tr><td>52</td><td>51</td><td></td><td>49</td><td></td><td></td><td>45</td><td>44</td><td>43</td><td>42</td><td>41</td><td></td><td>37</td><td>36</td><td>35</td><td>34</td><td>33</td></tr> <tr><td colspan="2">73</td><td></td><td>32</td><td></td><td>30</td><td></td><td>28</td><td></td><td>26</td><td></td><td>23</td><td></td><td></td><td>19</td><td>18</td><td></td></tr> <tr><td></td><td></td><td></td><td>16</td><td></td><td></td><td></td><td>12</td><td></td><td>10</td><td></td><td></td><td></td><td></td><td>3</td><td></td><td></td></tr> </table>		71		69			65	64	63		60		57	56	55	54	53	52	51		49			45	44	43	42	41		37	36	35	34	33	73			32		30		28		26		23			19	18					16				12		10					3																		
	71		69			65	64	63		60		57	56	55	54	53																																																																											
52	51		49			45	44	43	42	41		37	36	35	34	33																																																																											
73			32		30		28		26		23			19	18																																																																												
			16				12		10					3																																																																													
AVAILABLE	NOT APPLICABLE	34566-3453	G	0	A	BLACK	<table border="1"> <tr><td></td><td></td><td></td><td></td><td></td><td></td><td></td><td></td><td></td><td>61</td><td></td><td></td><td></td><td></td><td></td><td></td><td></td></tr> <tr><td colspan="2">73</td><td></td><td></td><td></td><td></td><td></td><td></td><td></td><td></td><td></td><td></td><td></td><td>20</td><td></td><td></td><td></td></tr> <tr><td></td><td></td><td></td><td></td><td></td><td></td><td></td><td></td><td></td><td>9</td><td></td><td></td><td>5</td><td></td><td></td><td></td><td>1</td></tr> </table>										61								73													20													9			5				1																																	
									61																																																																																		
73													20																																																																														
									9			5				1																																																																											
AVAILABLE	NOT APPLICABLE	34566-3463	G	9	H	ST GRY	<table border="1"> <tr><td></td><td></td><td></td><td></td><td></td><td></td><td></td><td></td><td></td><td></td><td></td><td></td><td></td><td></td><td></td><td></td><td>61</td></tr> <tr><td colspan="2">73</td><td></td><td></td><td></td><td></td><td></td><td></td><td></td><td></td><td></td><td></td><td></td><td></td><td></td><td></td><td></td></tr> <tr><td>20</td><td></td><td></td><td></td><td></td><td></td><td></td><td></td><td></td><td>9</td><td></td><td></td><td>5</td><td></td><td></td><td></td><td>1</td></tr> </table>																	61	73																	20									9			5				1																																	
																61																																																																											
73																																																																																											
20									9			5				1																																																																											
AVAILABLE	NOT APPLICABLE	34566-3473	G	9	B	ST GRY	<table border="1"> <tr><td>72</td><td>71</td><td>70</td><td>69</td><td>68</td><td>67</td><td>66</td><td>65</td><td>64</td><td></td><td>62</td><td>61</td><td>60</td><td>59</td><td>58</td><td>57</td><td>56</td><td>55</td><td>54</td><td></td></tr> <tr><td>52</td><td>51</td><td>50</td><td>49</td><td></td><td></td><td>46</td><td></td><td>44</td><td></td><td></td><td>40</td><td></td><td>38</td><td>37</td><td>36</td><td></td><td></td><td></td><td></td></tr> <tr><td colspan="2">73</td><td></td><td>32</td><td>31</td><td>30</td><td>29</td><td>28</td><td>27</td><td></td><td>25</td><td>24</td><td></td><td></td><td>21</td><td>20</td><td></td><td>18</td><td>17</td><td></td></tr> <tr><td></td><td></td><td></td><td>16</td><td>15</td><td>14</td><td>13</td><td>12</td><td></td><td>10</td><td>9</td><td></td><td>7</td><td>6</td><td>5</td><td>4</td><td>3</td><td>2</td><td></td><td></td></tr> </table>	72	71	70	69	68	67	66	65	64		62	61	60	59	58	57	56	55	54		52	51	50	49			46		44			40		38	37	36					73			32	31	30	29	28	27		25	24			21	20		18	17					16	15	14	13	12		10	9		7	6	5	4	3	2						
72	71	70	69	68	67	66	65	64		62	61	60	59	58	57	56	55	54																																																																									
52	51	50	49			46		44			40		38	37	36																																																																												
73			32	31	30	29	28	27		25	24			21	20		18	17																																																																									
			16	15	14	13	12		10	9		7	6	5	4	3	2																																																																										
AVAILABLE	NOT APPLICABLE	34566-3483	G	0	B	ST GRY	<table border="1"> <tr><td>72</td><td>71</td><td>70</td><td>69</td><td>68</td><td>67</td><td>66</td><td>65</td><td></td><td></td><td>61</td><td>60</td><td></td><td></td><td>57</td><td>56</td><td>55</td><td>54</td><td></td></tr> <tr><td>52</td><td>51</td><td>50</td><td>49</td><td>48</td><td></td><td>46</td><td></td><td>44</td><td></td><td></td><td>40</td><td></td><td>38</td><td>37</td><td>36</td><td></td><td></td><td></td><td></td></tr> <tr><td colspan="2">73</td><td></td><td>32</td><td>31</td><td>30</td><td>29</td><td>28</td><td>27</td><td></td><td>24</td><td></td><td></td><td>21</td><td>20</td><td>19</td><td>18</td><td>17</td><td></td><td></td></tr> <tr><td></td><td></td><td></td><td>16</td><td>15</td><td>14</td><td>13</td><td>12</td><td>11</td><td>10</td><td>9</td><td></td><td>7</td><td>6</td><td>5</td><td>4</td><td></td><td>2</td><td></td><td></td></tr> </table>	72	71	70	69	68	67	66	65			61	60			57	56	55	54		52	51	50	49	48		46		44			40		38	37	36					73			32	31	30	29	28	27		24			21	20	19	18	17						16	15	14	13	12	11	10	9		7	6	5	4		2							
72	71	70	69	68	67	66	65			61	60			57	56	55	54																																																																										
52	51	50	49	48		46		44			40		38	37	36																																																																												
73			32	31	30	29	28	27		24			21	20	19	18	17																																																																										
			16	15	14	13	12	11	10	9		7	6	5	4		2																																																																										
AVAILABLE	NOT APPLICABLE	34566-3493	G	0	A	BLACK	<table border="1"> <tr><td>72</td><td></td><td>70</td><td></td><td>67</td><td>66</td><td>65</td><td></td><td></td><td></td><td>61</td><td></td><td></td><td>58</td><td>57</td><td></td><td>55</td><td>54</td><td></td></tr> <tr><td></td><td></td><td></td><td>49</td><td></td><td>47</td><td></td><td>45</td><td>44</td><td>43</td><td>42</td><td>41</td><td>39</td><td></td><td>37</td><td></td><td>35</td><td></td><td></td></tr> <tr><td colspan="2">73</td><td></td><td>32</td><td></td><td>30</td><td></td><td></td><td>27</td><td>26</td><td>25</td><td>24</td><td></td><td></td><td>21</td><td>20</td><td>19</td><td>18</td><td>17</td><td></td></tr> <tr><td></td><td></td><td></td><td>16</td><td>15</td><td></td><td>13</td><td></td><td>11</td><td>10</td><td>9</td><td>8</td><td></td><td>6</td><td>5</td><td></td><td>3</td><td>2</td><td>1</td><td></td></tr> </table>	72		70		67	66	65				61			58	57		55	54					49		47		45	44	43	42	41	39		37		35			73			32		30			27	26	25	24			21	20	19	18	17					16	15		13		11	10	9	8		6	5		3	2	1							
72		70		67	66	65				61			58	57		55	54																																																																										
			49		47		45	44	43	42	41	39		37		35																																																																											
73			32		30			27	26	25	24			21	20	19	18	17																																																																									
			16	15		13		11	10	9	8		6	5		3	2	1																																																																									
AVAILABLE	NOT APPLICABLE	34566-3513	G	0	A	BLACK	<table border="1"> <tr><td></td><td></td><td>70</td><td>69</td><td></td><td></td><td></td><td></td><td></td><td></td><td>63</td><td>62</td><td>61</td><td>60</td><td></td><td>58</td><td>57</td><td>56</td><td>55</td><td>54</td><td>53</td></tr> <tr><td>52</td><td>51</td><td></td><td>49</td><td></td><td></td><td></td><td></td><td>44</td><td>43</td><td>42</td><td>41</td><td></td><td></td><td></td><td>37</td><td>36</td><td></td><td></td><td>34</td><td></td></tr> <tr><td colspan="2">73</td><td></td><td>32</td><td></td><td></td><td>29</td><td>28</td><td>27</td><td>26</td><td></td><td></td><td></td><td></td><td></td><td></td><td></td><td></td><td>19</td><td>18</td><td></td></tr> <tr><td></td><td></td><td></td><td>16</td><td>15</td><td></td><td>13</td><td>12</td><td>11</td><td>10</td><td></td><td></td><td></td><td></td><td></td><td></td><td></td><td></td><td>3</td><td></td><td></td></tr> </table>			70	69							63	62	61	60		58	57	56	55	54	53	52	51		49					44	43	42	41				37	36			34		73			32			29	28	27	26									19	18					16	15		13	12	11	10									3		
		70	69							63	62	61	60		58	57	56	55	54	53																																																																							
52	51		49					44	43	42	41				37	36			34																																																																								
73			32			29	28	27	26									19	18																																																																								
			16	15		13	12	11	10									3																																																																									

<b>QUALITY SYMBOLS</b> 	THIS DRAWING CONTAINS INFORMATION THAT IS PROPRIETARY TO MOLEX ELECTRONIC TECHNOLOGIES, LLC AND SHOULD NOT BE USED WITHOUT WRITTEN PERMISSION										
	EC NO: 115716 DRWN: TYE CHKD: REV APPR: JDENG02	2017/04/12	2017/04/21	GENERAL TOLERANCES (UNLESS SPECIFIED)		DIMENSION UNITS	SCALE				
				ANGULAR TOL ± °		MM	1:1				
		4 PLACES ±		SKRAJENDRANA		DATE	2011/02/14				
		3 PLACES ±		MVANSLAMBROU		DATE	2011/02/14				
		2 PLACES ±				DATE					
	1 PLACE ±										
	0 PLACES ±										
	DRAFT WHERE APPLICABLE MUST REMAIN WITHIN DIMENSIONS		DRAWING SIZE	THIRD ANGLE PROJECTION							
			D								
G50											

STATUS	GM PART #	MATERIAL #	WIRE DRESS OPTION	KEY OPTION	COLOR (TPA)	NUMBERS INDICATE CAVITIES OPEN FOR CIRCUITS																																																																																
SALEABLE	NOT APPLICABLE	34566-3523	0	A	BLACK	<table border="1"> <tr><td>72</td><td>70</td><td></td><td></td><td>66</td><td></td><td>63</td><td>62</td><td></td><td></td><td></td><td></td><td>56</td><td>55</td><td>54</td><td></td></tr> <tr><td>52</td><td></td><td>49</td><td></td><td></td><td></td><td>43</td><td>42</td><td></td><td></td><td></td><td></td><td>36</td><td>35</td><td>34</td><td></td></tr> <tr><td colspan="2">73</td><td></td><td>31</td><td></td><td>28</td><td>26</td><td></td><td></td><td></td><td></td><td>21</td><td>20</td><td>19</td><td>18</td><td></td></tr> <tr><td colspan="2"></td><td></td><td>16</td><td>15</td><td></td><td>12</td><td>10</td><td>9</td><td></td><td></td><td>5</td><td></td><td></td><td>2</td><td>1</td></tr> </table>	72	70			66		63	62					56	55	54		52		49				43	42					36	35	34		73			31		28	26					21	20	19	18					16	15		12	10	9			5			2	1																
72	70			66		63	62					56	55	54																																																																								
52		49				43	42					36	35	34																																																																								
73			31		28	26					21	20	19	18																																																																								
			16	15		12	10	9			5			2	1																																																																							
SALEABLE	NOT APPLICABLE	34566-3533	9	A	BLACK	<table border="1"> <tr><td></td><td></td><td>69</td><td></td><td></td><td></td><td>63</td><td></td><td></td><td></td><td>58</td><td></td><td>56</td><td>55</td><td>54</td><td>53</td></tr> <tr><td>52</td><td>51</td><td>49</td><td></td><td></td><td></td><td>44</td><td>43</td><td>42</td><td>41</td><td></td><td></td><td>36</td><td>35</td><td>34</td><td>33</td></tr> <tr><td colspan="2">73</td><td></td><td>32</td><td></td><td>28</td><td>26</td><td></td><td></td><td></td><td></td><td></td><td>19</td><td>18</td><td>17</td><td></td></tr> <tr><td colspan="2"></td><td></td><td>16</td><td></td><td></td><td>12</td><td>10</td><td></td><td></td><td></td><td></td><td>3</td><td>2</td><td>1</td><td></td></tr> </table>			69				63				58		56	55	54	53	52	51	49				44	43	42	41			36	35	34	33	73			32		28	26						19	18	17					16			12	10					3	2	1																	
		69				63				58		56	55	54	53																																																																							
52	51	49				44	43	42	41			36	35	34	33																																																																							
73			32		28	26						19	18	17																																																																								
			16			12	10					3	2	1																																																																								
AVAILABLE	NOT APPLICABLE	34566-3543	9	A	BLACK	<table border="1"> <tr><td>72</td><td>70</td><td></td><td></td><td>66</td><td></td><td>63</td><td>62</td><td></td><td></td><td>59</td><td></td><td>57</td><td>56</td><td>55</td><td>53</td></tr> <tr><td>52</td><td>51</td><td></td><td></td><td>46</td><td>44</td><td>42</td><td></td><td>40</td><td>39</td><td></td><td></td><td></td><td></td><td>34</td><td>33</td></tr> <tr><td colspan="2">73</td><td></td><td></td><td>30</td><td></td><td>26</td><td>25</td><td></td><td></td><td>22</td><td>21</td><td></td><td></td><td></td><td></td></tr> <tr><td colspan="2"></td><td></td><td>15</td><td>14</td><td></td><td>10</td><td>9</td><td></td><td></td><td>6</td><td></td><td></td><td></td><td></td><td></td></tr> </table>	72	70			66		63	62			59		57	56	55	53	52	51			46	44	42		40	39					34	33	73				30		26	25			22	21								15	14		10	9			6																					
72	70			66		63	62			59		57	56	55	53																																																																							
52	51			46	44	42		40	39					34	33																																																																							
73				30		26	25			22	21																																																																											
			15	14		10	9			6																																																																												
AVAILABLE	NOT APPLICABLE	34566-3553	9	C	BLUE	<table border="1"> <tr><td>72</td><td>71</td><td>70</td><td>69</td><td>68</td><td>67</td><td>66</td><td>65</td><td></td><td>63</td><td>62</td><td>61</td><td></td><td>59</td><td>58</td><td>57</td><td>56</td><td>55</td><td>54</td><td>53</td></tr> <tr><td></td><td>51</td><td>50</td><td>49</td><td>48</td><td></td><td>46</td><td>45</td><td>44</td><td>43</td><td>42</td><td>41</td><td>40</td><td>39</td><td>38</td><td></td><td>36</td><td>35</td><td>34</td><td>33</td></tr> <tr><td colspan="2">73</td><td></td><td></td><td>31</td><td>30</td><td>29</td><td>28</td><td>27</td><td>26</td><td>25</td><td></td><td></td><td>22</td><td></td><td>20</td><td>19</td><td>18</td><td>17</td><td></td></tr> <tr><td colspan="2"></td><td></td><td></td><td>16</td><td>15</td><td>14</td><td></td><td></td><td>11</td><td>10</td><td>9</td><td>7</td><td>6</td><td>5</td><td></td><td>3</td><td>2</td><td>1</td><td></td></tr> </table>	72	71	70	69	68	67	66	65		63	62	61		59	58	57	56	55	54	53		51	50	49	48		46	45	44	43	42	41	40	39	38		36	35	34	33	73				31	30	29	28	27	26	25			22		20	19	18	17						16	15	14			11	10	9	7	6	5		3	2	1	
72	71	70	69	68	67	66	65		63	62	61		59	58	57	56	55	54	53																																																																			
	51	50	49	48		46	45	44	43	42	41	40	39	38		36	35	34	33																																																																			
73				31	30	29	28	27	26	25			22		20	19	18	17																																																																				
				16	15	14			11	10	9	7	6	5		3	2	1																																																																				
AVAILABLE	NOT APPLICABLE	34566-3563	9	C	BLUE	<table border="1"> <tr><td>72</td><td>70</td><td></td><td></td><td>68</td><td>67</td><td>66</td><td></td><td></td><td>63</td><td>62</td><td></td><td></td><td>59</td><td></td><td>57</td><td></td><td></td><td></td><td>53</td></tr> <tr><td>52</td><td>51</td><td></td><td></td><td>48</td><td>47</td><td>46</td><td></td><td>44</td><td></td><td>42</td><td></td><td>40</td><td>39</td><td>38</td><td></td><td></td><td></td><td>34</td><td>33</td></tr> <tr><td colspan="2">73</td><td></td><td></td><td>32</td><td></td><td>30</td><td></td><td>27</td><td>26</td><td>25</td><td></td><td></td><td>22</td><td>21</td><td></td><td></td><td></td><td></td><td></td></tr> <tr><td colspan="2"></td><td></td><td></td><td>15</td><td>14</td><td></td><td></td><td></td><td>10</td><td>9</td><td></td><td></td><td>6</td><td>5</td><td>4</td><td></td><td></td><td></td><td></td></tr> </table>	72	70			68	67	66			63	62			59		57				53	52	51			48	47	46		44		42		40	39	38				34	33	73				32		30		27	26	25			22	21										15	14				10	9			6	5	4				
72	70			68	67	66			63	62			59		57				53																																																																			
52	51			48	47	46		44		42		40	39	38				34	33																																																																			
73				32		30		27	26	25			22	21																																																																								
				15	14				10	9			6	5	4																																																																							
AVAILABLE	NOT APPLICABLE	34566-3573	9	C	BLUE	<table border="1"> <tr><td></td><td></td><td>70</td><td>69</td><td>68</td><td></td><td></td><td></td><td></td><td>63</td><td>62</td><td>61</td><td></td><td></td><td>58</td><td>57</td><td>56</td><td>55</td><td>54</td><td>53</td></tr> <tr><td>52</td><td>51</td><td>50</td><td>49</td><td>48</td><td>47</td><td></td><td></td><td>44</td><td>43</td><td>42</td><td>41</td><td></td><td></td><td></td><td>37</td><td>36</td><td></td><td>34</td><td></td></tr> <tr><td colspan="2">73</td><td></td><td></td><td>32</td><td></td><td></td><td>29</td><td>28</td><td>27</td><td>26</td><td></td><td></td><td></td><td></td><td></td><td></td><td>19</td><td>18</td><td></td></tr> <tr><td colspan="2"></td><td></td><td></td><td>16</td><td>15</td><td>14</td><td>13</td><td>12</td><td>11</td><td>10</td><td></td><td></td><td></td><td></td><td></td><td></td><td>3</td><td></td><td></td></tr> </table>			70	69	68					63	62	61			58	57	56	55	54	53	52	51	50	49	48	47			44	43	42	41				37	36		34		73				32			29	28	27	26							19	18						16	15	14	13	12	11	10							3		
		70	69	68					63	62	61			58	57	56	55	54	53																																																																			
52	51	50	49	48	47			44	43	42	41				37	36		34																																																																				
73				32			29	28	27	26							19	18																																																																				
				16	15	14	13	12	11	10							3																																																																					
AVAILABLE	NOT APPLICABLE	34566-3583	9	A	BLACK	<table border="1"> <tr><td></td><td></td><td>70</td><td>69</td><td></td><td></td><td></td><td></td><td></td><td>63</td><td>62</td><td>61</td><td></td><td></td><td>58</td><td>57</td><td>56</td><td>55</td><td>54</td><td>53</td></tr> <tr><td>52</td><td>51</td><td>50</td><td>49</td><td></td><td></td><td></td><td></td><td>44</td><td>43</td><td>42</td><td>41</td><td></td><td></td><td></td><td>37</td><td>36</td><td></td><td>34</td><td></td></tr> <tr><td colspan="2">73</td><td></td><td></td><td>32</td><td></td><td></td><td>29</td><td>28</td><td>27</td><td>26</td><td></td><td></td><td></td><td></td><td></td><td></td><td>19</td><td>18</td><td></td></tr> <tr><td colspan="2"></td><td></td><td></td><td>16</td><td>15</td><td>14</td><td>13</td><td>12</td><td>11</td><td>10</td><td></td><td></td><td></td><td></td><td></td><td></td><td>3</td><td></td><td></td></tr> </table>			70	69						63	62	61			58	57	56	55	54	53	52	51	50	49					44	43	42	41				37	36		34		73				32			29	28	27	26							19	18						16	15	14	13	12	11	10							3		
		70	69						63	62	61			58	57	56	55	54	53																																																																			
52	51	50	49					44	43	42	41				37	36		34																																																																				
73				32			29	28	27	26							19	18																																																																				
				16	15	14	13	12	11	10							3																																																																					
AVAILABLE	NOT APPLICABLE	34566-3593	0	A	BLACK	<table border="1"> <tr><td></td><td>71</td><td></td><td>69</td><td></td><td></td><td></td><td></td><td>64</td><td>63</td><td></td><td></td><td>60</td><td>58</td><td>57</td><td>56</td><td>55</td><td>54</td><td>53</td><td></td></tr> <tr><td>52</td><td>51</td><td></td><td>49</td><td></td><td></td><td></td><td>45</td><td>44</td><td>43</td><td>42</td><td>41</td><td></td><td></td><td></td><td>37</td><td>36</td><td>35</td><td>34</td><td>33</td></tr> <tr><td colspan="2">73</td><td></td><td></td><td>32</td><td></td><td>30</td><td></td><td>28</td><td></td><td>26</td><td></td><td></td><td></td><td></td><td></td><td></td><td>19</td><td>18</td><td></td></tr> <tr><td colspan="2"></td><td></td><td></td><td>16</td><td>15</td><td></td><td></td><td>12</td><td></td><td>10</td><td></td><td></td><td></td><td></td><td></td><td></td><td>3</td><td></td><td></td></tr> </table>		71		69					64	63			60	58	57	56	55	54	53		52	51		49				45	44	43	42	41				37	36	35	34	33	73				32		30		28		26							19	18						16	15			12		10							3		
	71		69					64	63			60	58	57	56	55	54	53																																																																				
52	51		49				45	44	43	42	41				37	36	35	34	33																																																																			
73				32		30		28		26							19	18																																																																				
				16	15			12		10							3																																																																					
AVAILABLE	NOT APPLICABLE	34566-3613	0	B	ST GRY	<table border="1"> <tr><td></td><td></td><td></td><td></td><td>68</td><td>67</td><td></td><td></td><td>64</td><td>63</td><td></td><td></td><td></td><td>59</td><td></td><td></td><td></td><td></td><td></td><td></td></tr> <tr><td></td><td></td><td></td><td></td><td></td><td></td><td>46</td><td>45</td><td></td><td>43</td><td></td><td></td><td></td><td>39</td><td></td><td></td><td></td><td></td><td></td><td></td></tr> <tr><td colspan="2">73</td><td></td><td></td><td>32</td><td></td><td>30</td><td>29</td><td>28</td><td>27</td><td></td><td></td><td></td><td></td><td></td><td></td><td></td><td></td><td></td><td></td></tr> <tr><td colspan="2"></td><td></td><td></td><td></td><td></td><td></td><td></td><td></td><td></td><td>10</td><td></td><td></td><td>6</td><td>5</td><td>4</td><td>3</td><td></td><td></td><td></td></tr> </table>					68	67			64	63				59													46	45		43				39							73				32		30	29	28	27																					10			6	5	4	3			
				68	67			64	63				59																																																																									
						46	45		43				39																																																																									
73				32		30	29	28	27																																																																													
										10			6	5	4	3																																																																						

<b>QUALITY SYMBOLS</b> = 0 = 0 = 0 = 0 = 0 = 0 = 0 = 0 = 0	THIS DRAWING CONTAINS INFORMATION THAT IS PROPRIETARY TO MOLEX ELECTRONIC TECHNOLOGIES, LLC AND SHOULD NOT BE USED WITHOUT WRITTEN PERMISSION													
	2017/04/12	2017/04/21	GENERAL TOLERANCES (UNLESS SPECIFIED)		DIMENSION UNITS	SCALE								
	DRWN BY		DATE		MM	1:1								
	SKRAJENDRANA		2011/02/14		DRWN BY						DATE			
	CHKD BY		DATE		MVANSLAMBROU						2011/02/14			
	APPR BY		DATE		DRAFT WHERE APPLICABLE MUST REMAIN WITHIN DIMENSIONS						D		THIRD ANGLE PROJECTION	
	SERIES		MATERIAL NUMBER		CUSTOMER						PRODUCT CUSTOMER DRAWING			
	34566		SEE BOM TABLE		GENERAL MARKET									
	DOCUMENT NUMBER		DOC TYPE		DOC PART						SHEET NUMBER			
	SD-34566-001		PSD		000						42 OF 93			

STATUS	GM PART #	MATERIAL #	WIRE DRESS OPTION	KEY OPTION 	COLOR (TPA) 	NUMBERS INDICATE CAVITIES OPEN FOR CIRCUITS 																																																																																								
AVAILABLE	NOT APPLICABLE	34566-3623	0	A	BLACK	<table border="1"> <tr><td>72</td><td></td><td>70</td><td>69</td><td></td><td></td><td></td><td></td><td></td><td></td><td>63</td><td>62</td><td>61</td><td>60</td><td>59</td><td>58</td><td>57</td><td>56</td><td>55</td><td>54</td><td>53</td></tr> <tr><td>52</td><td>51</td><td></td><td>49</td><td></td><td></td><td></td><td></td><td></td><td>44</td><td>43</td><td>42</td><td>41</td><td></td><td></td><td></td><td></td><td>37</td><td>36</td><td></td><td>34</td><td></td></tr> <tr><td colspan="2"></td><td colspan="2">73</td><td></td><td></td><td>32</td><td></td><td></td><td>29</td><td>28</td><td>27</td><td>26</td><td></td><td></td><td></td><td></td><td></td><td></td><td>19</td><td>18</td><td></td></tr> <tr><td colspan="2"></td><td colspan="2"></td><td>16</td><td>15</td><td></td><td></td><td>13</td><td>12</td><td>11</td><td>10</td><td></td><td></td><td>8</td><td></td><td></td><td></td><td></td><td>3</td><td></td><td></td></tr> </table>	72		70	69							63	62	61	60	59	58	57	56	55	54	53	52	51		49						44	43	42	41					37	36		34				73				32			29	28	27	26							19	18						16	15			13	12	11	10			8					3			
72		70	69							63	62	61	60	59	58	57	56	55	54	53																																																																										
52	51		49						44	43	42	41					37	36		34																																																																										
		73				32			29	28	27	26							19	18																																																																										
				16	15			13	12	11	10			8					3																																																																											
AVAILABLE	NOT APPLICABLE	34566-3633	0	C	BLUE	<table border="1"> <tr><td>72</td><td></td><td>70</td><td></td><td>68</td><td>67</td><td>66</td><td></td><td></td><td>63</td><td>62</td><td></td><td></td><td></td><td>59</td><td></td><td>57</td><td></td><td></td><td></td><td>53</td></tr> <tr><td>52</td><td>51</td><td></td><td></td><td>48</td><td>47</td><td>46</td><td></td><td>44</td><td></td><td></td><td></td><td></td><td>40</td><td>39</td><td>38</td><td>37</td><td>36</td><td></td><td>34</td><td>33</td></tr> <tr><td colspan="2"></td><td colspan="2">73</td><td></td><td></td><td>32</td><td></td><td>30</td><td></td><td></td><td></td><td>26</td><td>25</td><td>24</td><td>23</td><td>22</td><td>21</td><td></td><td></td><td></td></tr> <tr><td colspan="2"></td><td colspan="2"></td><td></td><td>15</td><td>14</td><td></td><td></td><td></td><td>10</td><td>9</td><td>8</td><td>7</td><td>6</td><td>5</td><td>4</td><td></td><td></td><td></td><td>2</td><td></td></tr> </table>	72		70		68	67	66			63	62				59		57				53	52	51			48	47	46		44					40	39	38	37	36		34	33			73				32		30				26	25	24	23	22	21									15	14				10	9	8	7	6	5	4				2				
72		70		68	67	66			63	62				59		57				53																																																																										
52	51			48	47	46		44					40	39	38	37	36		34	33																																																																										
		73				32		30				26	25	24	23	22	21																																																																													
					15	14				10	9	8	7	6	5	4				2																																																																										
AVAILABLE	NOT APPLICABLE	34566-3643	0	B	ST GRY	<table border="1"> <tr><td>72</td><td>71</td><td>70</td><td></td><td>68</td><td>67</td><td>66</td><td></td><td>64</td><td>63</td><td></td><td></td><td></td><td></td><td>59</td><td></td><td></td><td></td><td></td><td></td><td>53</td></tr> <tr><td>52</td><td>51</td><td>50</td><td></td><td>48</td><td>47</td><td>46</td><td></td><td></td><td></td><td></td><td></td><td></td><td></td><td>39</td><td></td><td></td><td></td><td></td><td></td><td>34</td><td>33</td></tr> <tr><td colspan="2"></td><td colspan="2">73</td><td></td><td></td><td>32</td><td>31</td><td>30</td><td>29</td><td>28</td><td>27</td><td>26</td><td>25</td><td>24</td><td></td><td></td><td></td><td></td><td></td><td></td><td>17</td></tr> <tr><td colspan="2"></td><td colspan="2"></td><td></td><td></td><td>16</td><td>15</td><td>14</td><td>13</td><td></td><td></td><td>10</td><td></td><td>8</td><td></td><td></td><td></td><td></td><td></td><td></td><td>2</td><td>1</td></tr> </table>	72	71	70		68	67	66		64	63					59						53	52	51	50		48	47	46								39						34	33			73				32	31	30	29	28	27	26	25	24							17							16	15	14	13			10		8							2	1
72	71	70		68	67	66		64	63					59						53																																																																										
52	51	50		48	47	46								39						34	33																																																																									
		73				32	31	30	29	28	27	26	25	24							17																																																																									
						16	15	14	13			10		8							2	1																																																																								
AVAILABLE	NOT APPLICABLE	34566-3653	0	B	ST GRY	<table border="1"> <tr><td>72</td><td>71</td><td>70</td><td>69</td><td>68</td><td></td><td>66</td><td>65</td><td>64</td><td>63</td><td></td><td></td><td></td><td></td><td>59</td><td></td><td></td><td></td><td></td><td></td><td>53</td></tr> <tr><td>52</td><td>51</td><td>50</td><td>49</td><td>48</td><td>47</td><td>46</td><td>45</td><td>44</td><td>43</td><td></td><td></td><td></td><td></td><td>39</td><td></td><td></td><td></td><td></td><td></td><td>34</td><td>33</td></tr> <tr><td colspan="2"></td><td colspan="2">73</td><td></td><td></td><td>32</td><td></td><td>30</td><td>29</td><td>28</td><td>27</td><td>26</td><td>25</td><td>24</td><td></td><td></td><td></td><td></td><td></td><td></td><td>17</td></tr> <tr><td colspan="2"></td><td colspan="2"></td><td></td><td></td><td>16</td><td></td><td>14</td><td>13</td><td>12</td><td>11</td><td>10</td><td></td><td>8</td><td></td><td></td><td></td><td></td><td></td><td>3</td><td>2</td><td>1</td></tr> </table>	72	71	70	69	68		66	65	64	63					59						53	52	51	50	49	48	47	46	45	44	43					39						34	33			73				32		30	29	28	27	26	25	24							17							16		14	13	12	11	10		8						3	2	1
72	71	70	69	68		66	65	64	63					59						53																																																																										
52	51	50	49	48	47	46	45	44	43					39						34	33																																																																									
		73				32		30	29	28	27	26	25	24							17																																																																									
						16		14	13	12	11	10		8						3	2	1																																																																								
AVAILABLE	NOT APPLICABLE	34566-3663	0	A	BLACK	<table border="1"> <tr><td>72</td><td></td><td>70</td><td>69</td><td></td><td></td><td></td><td></td><td></td><td></td><td>63</td><td>62</td><td>61</td><td>60</td><td>59</td><td>58</td><td>57</td><td>56</td><td>55</td><td>54</td><td>53</td></tr> <tr><td>52</td><td>51</td><td></td><td>49</td><td></td><td></td><td></td><td></td><td></td><td>44</td><td>43</td><td>42</td><td>41</td><td></td><td></td><td></td><td></td><td>37</td><td>36</td><td></td><td>34</td><td></td></tr> <tr><td colspan="2"></td><td colspan="2">73</td><td></td><td></td><td>32</td><td></td><td></td><td>29</td><td>28</td><td>27</td><td>26</td><td></td><td></td><td></td><td></td><td></td><td></td><td>19</td><td>18</td><td></td></tr> <tr><td colspan="2"></td><td colspan="2"></td><td></td><td></td><td>16</td><td>15</td><td></td><td>13</td><td>12</td><td>11</td><td>10</td><td></td><td>7</td><td>6</td><td></td><td></td><td></td><td>3</td><td></td><td></td></tr> </table>	72		70	69							63	62	61	60	59	58	57	56	55	54	53	52	51		49						44	43	42	41					37	36		34				73				32			29	28	27	26							19	18								16	15		13	12	11	10		7	6				3			
72		70	69							63	62	61	60	59	58	57	56	55	54	53																																																																										
52	51		49						44	43	42	41					37	36		34																																																																										
		73				32			29	28	27	26							19	18																																																																										
						16	15		13	12	11	10		7	6				3																																																																											
AVAILABLE	NOT APPLICABLE	34566-3673	9	C	BLUE	<table border="1"> <tr><td></td><td>71</td><td>70</td><td>69</td><td>68</td><td>67</td><td></td><td>65</td><td></td><td>63</td><td>62</td><td>61</td><td></td><td>59</td><td>58</td><td>57</td><td>56</td><td>55</td><td>54</td><td>53</td></tr> <tr><td></td><td>51</td><td>50</td><td>49</td><td>48</td><td></td><td></td><td>45</td><td>44</td><td>43</td><td>42</td><td>41</td><td>40</td><td>39</td><td>38</td><td></td><td>36</td><td>35</td><td>34</td><td>33</td></tr> <tr><td colspan="2"></td><td colspan="2">73</td><td></td><td></td><td>31</td><td>30</td><td>29</td><td>28</td><td>27</td><td>26</td><td></td><td></td><td>22</td><td></td><td>20</td><td>19</td><td>18</td><td>17</td></tr> <tr><td colspan="2"></td><td colspan="2"></td><td></td><td></td><td>16</td><td>15</td><td>14</td><td></td><td></td><td></td><td>9</td><td>7</td><td>6</td><td>5</td><td></td><td>3</td><td>2</td><td>1</td></tr> </table>		71	70	69	68	67		65		63	62	61		59	58	57	56	55	54	53		51	50	49	48			45	44	43	42	41	40	39	38		36	35	34	33			73				31	30	29	28	27	26			22		20	19	18	17							16	15	14				9	7	6	5		3	2	1								
	71	70	69	68	67		65		63	62	61		59	58	57	56	55	54	53																																																																											
	51	50	49	48			45	44	43	42	41	40	39	38		36	35	34	33																																																																											
		73				31	30	29	28	27	26			22		20	19	18	17																																																																											
						16	15	14				9	7	6	5		3	2	1																																																																											
AVAILABLE	NOT APPLICABLE	34566-3683	9	H	ST GRY	<table border="1"> <tr><td></td><td></td><td></td><td></td><td></td><td></td><td></td><td></td><td></td><td></td><td></td><td></td><td></td><td></td><td></td><td></td><td></td><td></td><td></td><td></td><td></td><td>61</td></tr> <tr><td></td><td></td><td></td><td></td><td></td><td></td><td></td><td></td><td></td><td></td><td>32</td><td></td><td></td><td></td><td></td><td></td><td></td><td></td><td></td><td></td><td></td><td></td><td></td></tr> <tr><td>20</td><td></td><td></td><td></td><td></td><td>15</td><td></td><td></td><td></td><td></td><td></td><td></td><td>9</td><td></td><td></td><td></td><td>5</td><td></td><td></td><td></td><td></td><td>1</td></tr> </table>																						61											32													20					15							9				5					1																					
																					61																																																																									
										32																																																																																				
20					15							9				5					1																																																																									
AVAILABLE	NOT APPLICABLE	34566-3693	0	C	BLUE	<table border="1"> <tr><td>72</td><td></td><td>70</td><td></td><td>68</td><td>67</td><td>66</td><td></td><td></td><td>63</td><td>62</td><td></td><td></td><td></td><td>59</td><td></td><td>57</td><td></td><td></td><td></td><td>53</td></tr> <tr><td>52</td><td>51</td><td></td><td></td><td>48</td><td>47</td><td>46</td><td></td><td>44</td><td></td><td>42</td><td></td><td></td><td>40</td><td>39</td><td>38</td><td></td><td></td><td></td><td>34</td><td>33</td></tr> <tr><td colspan="2"></td><td colspan="2">73</td><td></td><td></td><td>32</td><td></td><td>30</td><td></td><td>27</td><td>26</td><td>25</td><td></td><td></td><td>22</td><td>21</td><td></td><td></td><td></td><td></td><td></td></tr> <tr><td colspan="2"></td><td colspan="2"></td><td></td><td></td><td>15</td><td>14</td><td></td><td></td><td></td><td>10</td><td>9</td><td></td><td></td><td>6</td><td>5</td><td>4</td><td></td><td></td><td></td><td></td></tr> </table>	72		70		68	67	66			63	62				59		57				53	52	51			48	47	46		44		42			40	39	38				34	33			73				32		30		27	26	25			22	21												15	14				10	9			6	5	4						
72		70		68	67	66			63	62				59		57				53																																																																										
52	51			48	47	46		44		42			40	39	38				34	33																																																																										
		73				32		30		27	26	25			22	21																																																																														
						15	14				10	9			6	5	4																																																																													
AVAILABLE	NOT APPLICABLE	34566-3713	0	C	BLUE	<table border="1"> <tr><td>72</td><td></td><td>70</td><td></td><td>68</td><td>67</td><td>66</td><td></td><td></td><td>63</td><td>62</td><td></td><td></td><td></td><td>59</td><td></td><td>57</td><td></td><td></td><td></td><td>53</td></tr> <tr><td>52</td><td>51</td><td></td><td></td><td>48</td><td>47</td><td>46</td><td></td><td>44</td><td></td><td>42</td><td></td><td></td><td>40</td><td>39</td><td></td><td></td><td></td><td></td><td>34</td><td>33</td></tr> <tr><td colspan="2"></td><td colspan="2">73</td><td></td><td></td><td>32</td><td></td><td>30</td><td></td><td>27</td><td>26</td><td>25</td><td></td><td></td><td>22</td><td>21</td><td></td><td></td><td></td><td></td><td></td></tr> <tr><td colspan="2"></td><td colspan="2"></td><td></td><td></td><td>15</td><td>14</td><td></td><td></td><td></td><td>10</td><td>9</td><td></td><td></td><td>6</td><td>5</td><td>4</td><td></td><td></td><td></td><td></td></tr> </table>	72		70		68	67	66			63	62				59		57				53	52	51			48	47	46		44		42			40	39					34	33			73				32		30		27	26	25			22	21												15	14				10	9			6	5	4						
72		70		68	67	66			63	62				59		57				53																																																																										
52	51			48	47	46		44		42			40	39					34	33																																																																										
		73				32		30		27	26	25			22	21																																																																														
						15	14				10	9			6	5	4																																																																													

<b>QUALITY SYMBOLS</b> = 0 = 0 = 0 = 0 = 0 = 0 = 0 = 0 = 0	THIS DRAWING CONTAINS INFORMATION THAT IS PROPRIETARY TO MOLEX ELECTRONIC TECHNOLOGIES, LLC AND SHOULD NOT BE USED WITHOUT WRITTEN PERMISSION														
	2017/04/12	2017/04/21	GENERAL TOLERANCES (UNLESS SPECIFIED)		DIMENSION UNITS	SCALE									
	2017/04/12	2017/04/21	ANGULAR TOL ± °		MM	1:1									
	4 PLACES ±	SKRAJENDRANA		DATE	2011/02/14										
	3 PLACES ±	CHKD BY		DATE											
	2 PLACES ±	MVANSLAMBROU		DATE	2011/02/14										
	1 PLACE ±	APPR BY		DATE											
	0 PLACES ±	DRAWING SIZE		THIRD ANGLE PROJECTION											
	DRAFT WHERE APPLICABLE MUST REMAIN WITHIN DIMENSIONS		D												
	EC NO: 115716	DRWN: TYE	CHKD: JDENG02	REV: APPR: JDENG02	G50						SERIES		MATERIAL NUMBER		CUSTOMER
34566		SEE BOM TABLE		GENERAL MARKET											
DOCUMENT NUMBER		DOC TYPE		DOC PART		SHEET NUMBER									
SD-34566-001		PSD		000		43 OF 93									



STATUS	GM PART #	MATERIAL #	WIRE DRESS OPTION	KEY OPTION	COLOR (TPA)	NUMBERS INDICATE CAVITIES OPEN FOR CIRCUITS																																																																																				
AVAILABLE	NOT APPLICABLE	34566-3723	0	A	BLACK	<table border="1"> <tr><td></td><td></td><td>70</td><td>69</td><td></td><td></td><td></td><td></td><td></td><td></td><td>63</td><td>62</td><td>61</td><td></td><td></td><td>58</td><td>57</td><td>56</td><td>55</td><td>54</td><td>53</td></tr> <tr><td>52</td><td>51</td><td>50</td><td>49</td><td></td><td></td><td></td><td></td><td></td><td>44</td><td>43</td><td>42</td><td>41</td><td></td><td></td><td></td><td>37</td><td>36</td><td></td><td>34</td><td></td></tr> <tr><td colspan="2"></td><td colspan="2">73</td><td>32</td><td></td><td></td><td>29</td><td>28</td><td>27</td><td>26</td><td></td><td></td><td></td><td></td><td></td><td></td><td></td><td>19</td><td>18</td><td></td></tr> <tr><td colspan="2"></td><td colspan="2"></td><td>16</td><td>15</td><td>14</td><td>13</td><td>12</td><td>11</td><td>10</td><td></td><td></td><td></td><td></td><td></td><td></td><td></td><td>3</td><td></td><td></td></tr> </table>			70	69							63	62	61			58	57	56	55	54	53	52	51	50	49						44	43	42	41				37	36		34				73		32			29	28	27	26								19	18						16	15	14	13	12	11	10								3		
		70	69							63	62	61			58	57	56	55	54	53																																																																						
52	51	50	49						44	43	42	41				37	36		34																																																																							
		73		32			29	28	27	26								19	18																																																																							
				16	15	14	13	12	11	10								3																																																																								
AVAILABLE	NOT APPLICABLE	34566-3733	0	B	ST GRY	<table border="1"> <tr><td>72</td><td>71</td><td>70</td><td></td><td>68</td><td>67</td><td>66</td><td></td><td></td><td></td><td>62</td><td>61</td><td>60</td><td>59</td><td>58</td><td>57</td><td>56</td><td>55</td><td>54</td><td>53</td></tr> <tr><td>52</td><td>51</td><td>50</td><td></td><td>48</td><td>47</td><td>46</td><td></td><td></td><td></td><td>42</td><td>41</td><td>40</td><td>39</td><td>38</td><td>37</td><td>36</td><td>35</td><td>34</td><td>33</td></tr> <tr><td colspan="2"></td><td colspan="2">73</td><td>32</td><td>31</td><td>30</td><td>29</td><td>28</td><td>27</td><td>26</td><td>25</td><td>24</td><td>23</td><td></td><td></td><td></td><td></td><td></td><td></td></tr> <tr><td colspan="2"></td><td colspan="2"></td><td>16</td><td>15</td><td>14</td><td>13</td><td></td><td></td><td>10</td><td>9</td><td>8</td><td></td><td></td><td></td><td></td><td></td><td></td><td></td></tr> </table>	72	71	70		68	67	66				62	61	60	59	58	57	56	55	54	53	52	51	50		48	47	46				42	41	40	39	38	37	36	35	34	33			73		32	31	30	29	28	27	26	25	24	23											16	15	14	13			10	9	8											
72	71	70		68	67	66				62	61	60	59	58	57	56	55	54	53																																																																							
52	51	50		48	47	46				42	41	40	39	38	37	36	35	34	33																																																																							
		73		32	31	30	29	28	27	26	25	24	23																																																																													
				16	15	14	13			10	9	8																																																																														
AVAILABLE	NOT APPLICABLE	34566-3743	0	C	BLUE	<table border="1"> <tr><td>72</td><td></td><td>70</td><td></td><td>68</td><td></td><td>66</td><td></td><td></td><td>63</td><td>62</td><td></td><td></td><td>59</td><td></td><td>57</td><td></td><td></td><td></td><td>53</td></tr> <tr><td>52</td><td>51</td><td></td><td></td><td>48</td><td>47</td><td>46</td><td></td><td>44</td><td></td><td>42</td><td></td><td>40</td><td>39</td><td>38</td><td></td><td></td><td></td><td>34</td><td>33</td></tr> <tr><td colspan="2"></td><td colspan="2">73</td><td>32</td><td></td><td>30</td><td></td><td></td><td>27</td><td>26</td><td>25</td><td></td><td></td><td>22</td><td>21</td><td></td><td></td><td></td><td></td></tr> <tr><td colspan="2"></td><td colspan="2"></td><td></td><td>15</td><td>14</td><td></td><td></td><td></td><td>10</td><td>9</td><td></td><td></td><td>6</td><td>5</td><td>4</td><td></td><td></td><td></td></tr> </table>	72		70		68		66			63	62			59		57				53	52	51			48	47	46		44		42		40	39	38				34	33			73		32		30			27	26	25			22	21										15	14				10	9			6	5	4							
72		70		68		66			63	62			59		57				53																																																																							
52	51			48	47	46		44		42		40	39	38				34	33																																																																							
		73		32		30			27	26	25			22	21																																																																											
					15	14				10	9			6	5	4																																																																										
AVAILABLE	NOT APPLICABLE	34566-3753	0	C	BLUE	<table border="1"> <tr><td>72</td><td></td><td>70</td><td></td><td>68</td><td></td><td>66</td><td></td><td></td><td>63</td><td>62</td><td></td><td></td><td>59</td><td></td><td>57</td><td></td><td></td><td></td><td>53</td></tr> <tr><td>52</td><td>51</td><td></td><td></td><td>48</td><td>47</td><td>46</td><td></td><td>44</td><td></td><td>42</td><td></td><td>40</td><td>39</td><td></td><td></td><td></td><td></td><td>34</td><td>33</td></tr> <tr><td colspan="2"></td><td colspan="2">73</td><td>32</td><td></td><td>30</td><td></td><td></td><td>27</td><td>26</td><td>25</td><td></td><td></td><td>22</td><td>21</td><td></td><td></td><td></td><td></td></tr> <tr><td colspan="2"></td><td colspan="2"></td><td></td><td>15</td><td>14</td><td></td><td></td><td></td><td>10</td><td>9</td><td></td><td></td><td>6</td><td>5</td><td>4</td><td></td><td></td><td></td></tr> </table>	72		70		68		66			63	62			59		57				53	52	51			48	47	46		44		42		40	39					34	33			73		32		30			27	26	25			22	21										15	14				10	9			6	5	4							
72		70		68		66			63	62			59		57				53																																																																							
52	51			48	47	46		44		42		40	39					34	33																																																																							
		73		32		30			27	26	25			22	21																																																																											
					15	14				10	9			6	5	4																																																																										
AVAILABLE	NOT APPLICABLE	34566-3763	0	C	BLUE	<table border="1"> <tr><td>72</td><td></td><td>70</td><td></td><td>68</td><td></td><td>66</td><td></td><td></td><td>63</td><td>62</td><td></td><td></td><td>59</td><td></td><td>57</td><td>56</td><td>55</td><td></td><td>53</td></tr> <tr><td>52</td><td>51</td><td></td><td></td><td>48</td><td>47</td><td>46</td><td></td><td>44</td><td></td><td>42</td><td></td><td>40</td><td>39</td><td></td><td></td><td></td><td></td><td>34</td><td>33</td></tr> <tr><td colspan="2"></td><td colspan="2">73</td><td>32</td><td></td><td>30</td><td></td><td></td><td>27</td><td>26</td><td>25</td><td></td><td></td><td>22</td><td>21</td><td></td><td></td><td></td><td></td></tr> <tr><td colspan="2"></td><td colspan="2"></td><td></td><td>15</td><td>14</td><td></td><td></td><td></td><td>10</td><td>9</td><td></td><td></td><td>6</td><td>5</td><td>4</td><td></td><td></td><td></td></tr> </table>	72		70		68		66			63	62			59		57	56	55		53	52	51			48	47	46		44		42		40	39					34	33			73		32		30			27	26	25			22	21										15	14				10	9			6	5	4							
72		70		68		66			63	62			59		57	56	55		53																																																																							
52	51			48	47	46		44		42		40	39					34	33																																																																							
		73		32		30			27	26	25			22	21																																																																											
					15	14				10	9			6	5	4																																																																										
AVAILABLE	NOT APPLICABLE	34566-3773	0	A	BLACK	<table border="1"> <tr><td></td><td></td><td>70</td><td>69</td><td></td><td></td><td></td><td></td><td></td><td></td><td>63</td><td></td><td></td><td></td><td></td><td>58</td><td></td><td>56</td><td>55</td><td>54</td><td>53</td></tr> <tr><td>52</td><td>51</td><td>50</td><td>49</td><td></td><td></td><td></td><td></td><td></td><td>44</td><td>43</td><td>42</td><td>41</td><td></td><td>39</td><td></td><td></td><td>36</td><td></td><td>34</td><td></td></tr> <tr><td colspan="2"></td><td colspan="2">73</td><td>32</td><td></td><td></td><td></td><td>28</td><td></td><td>26</td><td></td><td></td><td></td><td></td><td></td><td></td><td></td><td>19</td><td>18</td><td></td></tr> <tr><td colspan="2"></td><td colspan="2"></td><td>16</td><td>15</td><td>14</td><td></td><td>12</td><td></td><td>10</td><td></td><td></td><td></td><td></td><td></td><td></td><td></td><td>3</td><td></td><td></td></tr> </table>			70	69							63					58		56	55	54	53	52	51	50	49						44	43	42	41		39			36		34				73		32				28		26								19	18						16	15	14		12		10								3		
		70	69							63					58		56	55	54	53																																																																						
52	51	50	49						44	43	42	41		39			36		34																																																																							
		73		32				28		26								19	18																																																																							
				16	15	14		12		10								3																																																																								
AVAILABLE	NOT APPLICABLE	34566-3783	0	A	BLACK	<table border="1"> <tr><td></td><td></td><td>70</td><td>69</td><td></td><td></td><td></td><td></td><td></td><td></td><td>63</td><td></td><td></td><td></td><td></td><td>58</td><td></td><td>56</td><td>55</td><td>54</td><td>53</td></tr> <tr><td>52</td><td>51</td><td>50</td><td>49</td><td></td><td></td><td></td><td></td><td></td><td>44</td><td>43</td><td>42</td><td>41</td><td></td><td>39</td><td></td><td></td><td>36</td><td></td><td>34</td><td></td></tr> <tr><td colspan="2"></td><td colspan="2">73</td><td>32</td><td></td><td></td><td></td><td>28</td><td></td><td>26</td><td></td><td></td><td></td><td></td><td></td><td></td><td></td><td>19</td><td>18</td><td>17</td></tr> <tr><td colspan="2"></td><td colspan="2"></td><td>16</td><td>15</td><td>14</td><td></td><td>12</td><td></td><td>10</td><td></td><td></td><td></td><td></td><td></td><td></td><td></td><td>3</td><td>2</td><td>1</td></tr> </table>			70	69							63					58		56	55	54	53	52	51	50	49						44	43	42	41		39			36		34				73		32				28		26								19	18	17					16	15	14		12		10								3	2	1
		70	69							63					58		56	55	54	53																																																																						
52	51	50	49						44	43	42	41		39			36		34																																																																							
		73		32				28		26								19	18	17																																																																						
				16	15	14		12		10								3	2	1																																																																						
AVAILABLE	NOT APPLICABLE	34566-3793	0	A	BLACK	<table border="1"> <tr><td></td><td>71</td><td>70</td><td></td><td></td><td></td><td></td><td></td><td></td><td>64</td><td>63</td><td></td><td></td><td>60</td><td></td><td>58</td><td>57</td><td>56</td><td>55</td><td>54</td><td>53</td></tr> <tr><td>52</td><td>51</td><td></td><td>49</td><td></td><td></td><td></td><td></td><td>45</td><td>44</td><td>43</td><td>42</td><td>41</td><td></td><td></td><td>37</td><td>36</td><td></td><td>34</td><td></td><td></td></tr> <tr><td colspan="2"></td><td colspan="2">73</td><td>32</td><td></td><td>30</td><td></td><td></td><td>28</td><td></td><td>26</td><td></td><td></td><td>23</td><td>21</td><td></td><td></td><td>19</td><td>18</td><td></td></tr> <tr><td colspan="2"></td><td colspan="2"></td><td>16</td><td>15</td><td></td><td></td><td>12</td><td></td><td>10</td><td></td><td>8</td><td></td><td></td><td>5</td><td></td><td></td><td>3</td><td></td><td></td></tr> </table>		71	70							64	63			60		58	57	56	55	54	53	52	51		49					45	44	43	42	41			37	36		34					73		32		30			28		26			23	21			19	18						16	15			12		10		8			5			3		
	71	70							64	63			60		58	57	56	55	54	53																																																																						
52	51		49					45	44	43	42	41			37	36		34																																																																								
		73		32		30			28		26			23	21			19	18																																																																							
				16	15			12		10		8			5			3																																																																								
AVAILABLE	NOT APPLICABLE	34566-3813	0	C	BLUE	<table border="1"> <tr><td>72</td><td></td><td>70</td><td></td><td>68</td><td></td><td>66</td><td></td><td></td><td>63</td><td>62</td><td></td><td></td><td>59</td><td></td><td>57</td><td></td><td></td><td></td><td></td><td>53</td></tr> <tr><td>52</td><td>51</td><td></td><td></td><td>48</td><td>47</td><td>46</td><td></td><td>44</td><td></td><td>42</td><td></td><td>40</td><td>39</td><td>38</td><td>37</td><td>36</td><td></td><td></td><td>34</td><td>33</td></tr> <tr><td colspan="2"></td><td colspan="2">73</td><td>32</td><td></td><td>30</td><td></td><td></td><td>26</td><td>25</td><td>24</td><td></td><td></td><td>22</td><td>21</td><td>20</td><td></td><td></td><td></td><td></td></tr> <tr><td colspan="2"></td><td colspan="2"></td><td></td><td>15</td><td>14</td><td>13</td><td></td><td></td><td>10</td><td>9</td><td>8</td><td></td><td>6</td><td>5</td><td>4</td><td></td><td></td><td></td><td>2</td></tr> </table>	72		70		68		66			63	62			59		57					53	52	51			48	47	46		44		42		40	39	38	37	36			34	33			73		32		30			26	25	24			22	21	20										15	14	13			10	9	8		6	5	4				2
72		70		68		66			63	62			59		57					53																																																																						
52	51			48	47	46		44		42		40	39	38	37	36			34	33																																																																						
		73		32		30			26	25	24			22	21	20																																																																										
					15	14	13			10	9	8		6	5	4				2																																																																						

<b>QUALITY SYMBOLS</b> 	THIS DRAWING CONTAINS INFORMATION THAT IS PROPRIETARY TO MOLEX ELECTRONIC TECHNOLOGIES, LLC AND SHOULD NOT BE USED WITHOUT WRITTEN PERMISSION									
	2017/04/12	2017/04/21	GENERAL TOLERANCES (UNLESS SPECIFIED)		DIMENSION UNITS	SCALE				
	EC NO: 115716 DRWN: TYE CHKD: REV APPR: JDENG02	ANGULAR TOL ± °		MM	1:1					
		4 PLACES ±	DRWN BY	DATE	SKRAJENDRANA 2011/02/14					
		3 PLACES ±	CHKD BY	DATE	MVANSLAMBROU 2011/02/14					
		2 PLACES ±	APPR BY	DATE						
		1 PLACE ±	DRAWING SIZE		THIRD ANGLE PROJECTION					
	0 PLACES ±	DRAFT WHERE APPLICABLE MUST REMAIN WITHIN DIMENSIONS		D						
	SERIES		MATERIAL NUMBER		CUSTOMER					
	34566		SEE BOM TABLE		GENERAL MARKET					
DOCUMENT NUMBER		DOC TYPE		DOC PART		SHEET NUMBER				
SD-34566-001		PSD		000		44 OF 93				

STATUS	GM PART #	MATERIAL #	WIRE DRESS OPTION	KEY OPTION	COLOR (TPA)	NUMBERS INDICATE CAVITIES OPEN FOR CIRCUITS																																																																																								
AVAILABLE	NOT APPLICABLE	34566-3823	0	A	BLACK	<table border="1"> <tr><td></td><td></td><td>70</td><td>69</td><td></td><td></td><td></td><td></td><td></td><td></td><td>63</td><td>61</td><td></td><td></td><td>58</td><td>57</td><td>56</td><td>55</td><td>54</td><td>53</td></tr> <tr><td>52</td><td>51</td><td></td><td>49</td><td></td><td></td><td></td><td></td><td></td><td>44</td><td>43</td><td>41</td><td></td><td></td><td></td><td>37</td><td>36</td><td></td><td></td><td>34</td></tr> <tr><td colspan="2">73</td><td></td><td>32</td><td></td><td></td><td></td><td></td><td></td><td>27</td><td>26</td><td></td><td></td><td></td><td></td><td></td><td></td><td></td><td>19</td><td>18</td></tr> <tr><td colspan="2"></td><td></td><td>16</td><td>15</td><td></td><td></td><td></td><td></td><td>11</td><td>10</td><td></td><td></td><td></td><td></td><td></td><td></td><td></td><td>3</td><td></td></tr> </table>			70	69							63	61			58	57	56	55	54	53	52	51		49						44	43	41				37	36			34	73			32						27	26								19	18				16	15					11	10								3									
		70	69							63	61			58	57	56	55	54	53																																																																											
52	51		49						44	43	41				37	36			34																																																																											
73			32						27	26								19	18																																																																											
			16	15					11	10								3																																																																												
AVAILABLE	NOT APPLICABLE	34566-3833	0	A	BLACK	<table border="1"> <tr><td></td><td></td><td>70</td><td>69</td><td></td><td></td><td></td><td></td><td></td><td></td><td>63</td><td>62</td><td>61</td><td></td><td></td><td></td><td>57</td><td>56</td><td>55</td><td>54</td><td>53</td></tr> <tr><td>52</td><td>51</td><td></td><td>49</td><td></td><td></td><td></td><td></td><td></td><td>44</td><td>43</td><td>42</td><td>41</td><td></td><td></td><td></td><td>37</td><td>36</td><td></td><td></td><td>34</td></tr> <tr><td colspan="2">73</td><td></td><td>32</td><td></td><td></td><td></td><td></td><td>29</td><td>28</td><td>27</td><td>26</td><td></td><td></td><td>23</td><td></td><td></td><td></td><td></td><td>19</td><td>18</td></tr> <tr><td colspan="2"></td><td></td><td>16</td><td>15</td><td></td><td></td><td>13</td><td>12</td><td>11</td><td>10</td><td></td><td>8</td><td></td><td></td><td></td><td></td><td></td><td></td><td>3</td><td></td></tr> </table>			70	69							63	62	61				57	56	55	54	53	52	51		49						44	43	42	41				37	36			34	73			32					29	28	27	26			23					19	18				16	15			13	12	11	10		8							3					
		70	69							63	62	61				57	56	55	54	53																																																																										
52	51		49						44	43	42	41				37	36			34																																																																										
73			32					29	28	27	26			23					19	18																																																																										
			16	15			13	12	11	10		8							3																																																																											
AVAILABLE	NOT APPLICABLE	34566-3843	0	A	BLACK	<table border="1"> <tr><td>72</td><td>71</td><td>70</td><td>69</td><td>68</td><td>67</td><td>66</td><td></td><td></td><td>64</td><td>63</td><td>62</td><td></td><td>60</td><td>59</td><td></td><td></td><td></td><td></td><td>55</td><td>54</td><td>53</td></tr> <tr><td>52</td><td></td><td></td><td>49</td><td>48</td><td></td><td></td><td></td><td></td><td>44</td><td>43</td><td>42</td><td>41</td><td>40</td><td>39</td><td></td><td></td><td></td><td></td><td>35</td><td>34</td><td>33</td></tr> <tr><td colspan="2">73</td><td></td><td>32</td><td></td><td></td><td></td><td></td><td>29</td><td>28</td><td>27</td><td></td><td>25</td><td>24</td><td>23</td><td></td><td></td><td></td><td></td><td>19</td><td>18</td><td>17</td></tr> <tr><td colspan="2"></td><td></td><td>16</td><td></td><td></td><td></td><td></td><td>13</td><td>12</td><td>11</td><td></td><td>9</td><td>8</td><td>7</td><td>6</td><td>5</td><td>4</td><td>3</td><td>2</td><td>1</td><td></td></tr> </table>	72	71	70	69	68	67	66			64	63	62		60	59					55	54	53	52			49	48					44	43	42	41	40	39					35	34	33	73			32					29	28	27		25	24	23					19	18	17				16					13	12	11		9	8	7	6	5	4	3	2	1	
72	71	70	69	68	67	66			64	63	62		60	59					55	54	53																																																																									
52			49	48					44	43	42	41	40	39					35	34	33																																																																									
73			32					29	28	27		25	24	23					19	18	17																																																																									
			16					13	12	11		9	8	7	6	5	4	3	2	1																																																																										
AVAILABLE	NOT APPLICABLE	34566-3853	0	A	BLACK	<table border="1"> <tr><td>72</td><td>71</td><td>70</td><td>69</td><td>68</td><td>67</td><td>66</td><td>65</td><td>64</td><td>63</td><td>62</td><td></td><td>60</td><td>59</td><td></td><td></td><td></td><td></td><td></td><td>55</td><td>54</td><td>53</td></tr> <tr><td>52</td><td></td><td></td><td>49</td><td>48</td><td></td><td></td><td></td><td>45</td><td>44</td><td>43</td><td>42</td><td>41</td><td>40</td><td>39</td><td></td><td></td><td></td><td></td><td>35</td><td>34</td><td>33</td></tr> <tr><td colspan="2">73</td><td></td><td>32</td><td></td><td></td><td></td><td></td><td>29</td><td>28</td><td>27</td><td></td><td>25</td><td>24</td><td>23</td><td></td><td></td><td></td><td></td><td>19</td><td>18</td><td>17</td></tr> <tr><td colspan="2"></td><td></td><td>16</td><td></td><td></td><td></td><td></td><td>13</td><td>12</td><td>11</td><td></td><td>9</td><td>8</td><td>7</td><td>6</td><td>5</td><td>4</td><td>3</td><td>2</td><td>1</td><td></td></tr> </table>	72	71	70	69	68	67	66	65	64	63	62		60	59						55	54	53	52			49	48				45	44	43	42	41	40	39					35	34	33	73			32					29	28	27		25	24	23					19	18	17				16					13	12	11		9	8	7	6	5	4	3	2	1	
72	71	70	69	68	67	66	65	64	63	62		60	59						55	54	53																																																																									
52			49	48				45	44	43	42	41	40	39					35	34	33																																																																									
73			32					29	28	27		25	24	23					19	18	17																																																																									
			16					13	12	11		9	8	7	6	5	4	3	2	1																																																																										
AVAILABLE	NOT APPLICABLE	34566-3863	0	B	ST GRY	<table border="1"> <tr><td>72</td><td>71</td><td>70</td><td></td><td>68</td><td>67</td><td>66</td><td></td><td></td><td></td><td>62</td><td>61</td><td>60</td><td>59</td><td>58</td><td>57</td><td>56</td><td>55</td><td>54</td><td>53</td></tr> <tr><td>52</td><td>51</td><td>50</td><td></td><td>48</td><td>47</td><td>46</td><td></td><td></td><td></td><td>42</td><td>41</td><td>40</td><td>39</td><td>38</td><td>37</td><td>36</td><td>35</td><td>34</td><td>33</td></tr> <tr><td colspan="2">73</td><td></td><td></td><td>32</td><td>31</td><td>30</td><td>29</td><td>28</td><td>27</td><td>26</td><td>25</td><td>24</td><td></td><td></td><td></td><td></td><td></td><td></td><td>17</td></tr> <tr><td colspan="2"></td><td></td><td></td><td>16</td><td>15</td><td>14</td><td>13</td><td></td><td></td><td>10</td><td></td><td>8</td><td></td><td></td><td></td><td></td><td></td><td></td><td>2</td><td>1</td></tr> </table>	72	71	70		68	67	66				62	61	60	59	58	57	56	55	54	53	52	51	50		48	47	46				42	41	40	39	38	37	36	35	34	33	73				32	31	30	29	28	27	26	25	24							17					16	15	14	13			10		8							2	1							
72	71	70		68	67	66				62	61	60	59	58	57	56	55	54	53																																																																											
52	51	50		48	47	46				42	41	40	39	38	37	36	35	34	33																																																																											
73				32	31	30	29	28	27	26	25	24							17																																																																											
				16	15	14	13			10		8							2	1																																																																										
AVAILABLE	NOT APPLICABLE	34566-3873	0	B	ST GRY	<table border="1"> <tr><td></td><td></td><td></td><td></td><td></td><td></td><td></td><td></td><td></td><td></td><td>63</td><td></td><td></td><td></td><td>59</td><td>58</td><td>57</td><td>56</td><td>55</td><td></td><td></td></tr> <tr><td></td><td></td><td>50</td><td>49</td><td>48</td><td></td><td>46</td><td>45</td><td></td><td></td><td>43</td><td></td><td></td><td></td><td>39</td><td>38</td><td>37</td><td>36</td><td>35</td><td>34</td><td></td></tr> <tr><td colspan="2">73</td><td></td><td></td><td></td><td></td><td></td><td></td><td>29</td><td>27</td><td></td><td></td><td></td><td></td><td>23</td><td>22</td><td>21</td><td></td><td></td><td></td><td>18</td></tr> <tr><td colspan="2"></td><td></td><td></td><td></td><td></td><td>16</td><td>15</td><td>14</td><td>13</td><td></td><td></td><td></td><td></td><td>7</td><td>6</td><td>5</td><td>4</td><td>3</td><td></td><td></td></tr> </table>											63				59	58	57	56	55					50	49	48		46	45			43				39	38	37	36	35	34		73								29	27					23	22	21				18							16	15	14	13					7	6	5	4	3						
										63				59	58	57	56	55																																																																												
		50	49	48		46	45			43				39	38	37	36	35	34																																																																											
73								29	27					23	22	21				18																																																																										
						16	15	14	13					7	6	5	4	3																																																																												
AVAILABLE	NOT APPLICABLE	34566-3883	0	B	ST GRY	<table border="1"> <tr><td></td><td></td><td></td><td></td><td></td><td>67</td><td>66</td><td></td><td></td><td></td><td></td><td></td><td></td><td></td><td>59</td><td>58</td><td>57</td><td>56</td><td>55</td><td></td><td>53</td></tr> <tr><td></td><td></td><td>50</td><td>49</td><td>48</td><td></td><td></td><td>45</td><td></td><td></td><td></td><td></td><td></td><td></td><td>39</td><td>38</td><td>37</td><td>36</td><td>35</td><td>34</td><td>33</td></tr> <tr><td colspan="2">73</td><td></td><td></td><td></td><td></td><td></td><td></td><td>29</td><td></td><td></td><td></td><td></td><td></td><td>23</td><td>22</td><td>21</td><td></td><td></td><td></td><td>18</td></tr> <tr><td colspan="2"></td><td></td><td></td><td></td><td></td><td>16</td><td>15</td><td>14</td><td>13</td><td></td><td></td><td></td><td></td><td>8</td><td>7</td><td>6</td><td>5</td><td>4</td><td>3</td><td></td></tr> </table>						67	66								59	58	57	56	55		53			50	49	48			45							39	38	37	36	35	34	33	73								29						23	22	21				18							16	15	14	13					8	7	6	5	4	3					
					67	66								59	58	57	56	55		53																																																																										
		50	49	48			45							39	38	37	36	35	34	33																																																																										
73								29						23	22	21				18																																																																										
						16	15	14	13					8	7	6	5	4	3																																																																											
AVAILABLE	NOT APPLICABLE	34566-3893	0	C	BLUE	<table border="1"> <tr><td>72</td><td></td><td>70</td><td></td><td>68</td><td>67</td><td>66</td><td></td><td></td><td></td><td>63</td><td>62</td><td></td><td></td><td>59</td><td></td><td>57</td><td></td><td></td><td></td><td></td><td>53</td></tr> <tr><td>52</td><td>51</td><td></td><td></td><td>48</td><td>47</td><td>46</td><td></td><td></td><td>44</td><td></td><td>42</td><td></td><td></td><td></td><td></td><td></td><td></td><td></td><td></td><td>34</td><td>33</td></tr> <tr><td colspan="2">73</td><td></td><td></td><td>32</td><td></td><td>30</td><td></td><td></td><td></td><td>27</td><td>26</td><td>25</td><td></td><td></td><td>22</td><td>21</td><td></td><td></td><td></td><td></td><td></td></tr> <tr><td colspan="2"></td><td></td><td></td><td></td><td>15</td><td>14</td><td></td><td></td><td></td><td>10</td><td>9</td><td></td><td></td><td></td><td>6</td><td>5</td><td>4</td><td></td><td></td><td></td><td></td></tr> </table>	72		70		68	67	66				63	62			59		57					53	52	51			48	47	46			44		42									34	33	73				32		30				27	26	25			22	21											15	14				10	9				6	5	4				
72		70		68	67	66				63	62			59		57					53																																																																									
52	51			48	47	46			44		42									34	33																																																																									
73				32		30				27	26	25			22	21																																																																														
					15	14				10	9				6	5	4																																																																													

<b>QUALITY SYMBOLS</b> 	THIS DRAWING CONTAINS INFORMATION THAT IS PROPRIETARY TO MOLEX ELECTRONIC TECHNOLOGIES, LLC AND SHOULD NOT BE USED WITHOUT WRITTEN PERMISSION		<b>GENERAL TOLERANCES (UNLESS SPECIFIED)</b> DIMENSION UNITS: <b>MM</b> SCALE: <b>1:1</b>		
	DRWN BY: 2017/04/12 CHKD BY: 2017/04/21 REV APPR: JDENG02	ANGULAR TOL ± ° 4 PLACES ± 3 PLACES ± 2 PLACES ± 1 PLACE ± 0 PLACES ±	DRWN BY: SKRAJENDRANA DATE: 2011/02/14 CHKD BY: MVANSLAMBROU DATE: 2011/02/14 APPR BY:	DRAFT WHERE APPLICABLE MUST REMAIN WITHIN DIMENSIONS DRAWING SIZE: <b>D</b> THIRD ANGLE PROJECTION:	
<b>PRODUCT CUSTOMER DRAWING</b>		SERIES: 34566	MATERIAL NUMBER: SEE BOM TABLE	CUSTOMER: GENERAL MARKET	
RELEASE STATUS: 19 RELEASE DATE: 18		DOCUMENT NUMBER: SD-34566-001 DOC TYPE: PSD DOC PART: 000 SHEET NUMBER: 45 OF 93			

STATUS	GM PART #	MATERIAL #	WIRE DRESS OPTION	KEY OPTION	COLOR (TPA)	NUMBERS INDICATE CAVITIES OPEN FOR CIRCUITS																																																																																		
AVAILABLE	NOT APPLICABLE	34566-3913	0	A	BLACK	<table border="1"> <tr><td></td><td>71</td><td>70</td><td>69</td><td></td><td></td><td></td><td></td><td>64</td><td>63</td><td></td><td></td><td>60</td><td></td><td>58</td><td>57</td><td>56</td><td>55</td><td>54</td><td>53</td></tr> <tr><td>52</td><td>51</td><td></td><td>49</td><td></td><td></td><td></td><td></td><td>45</td><td>44</td><td>43</td><td>42</td><td>41</td><td></td><td></td><td>37</td><td>36</td><td></td><td>34</td><td></td></tr> <tr><td colspan="3">73</td><td>32</td><td></td><td>30</td><td></td><td></td><td>28</td><td></td><td>26</td><td></td><td></td><td>23</td><td>21</td><td></td><td>19</td><td>18</td><td></td><td></td></tr> <tr><td colspan="3">73</td><td>16</td><td>15</td><td></td><td></td><td>12</td><td></td><td>10</td><td></td><td></td><td>8</td><td></td><td></td><td>5</td><td></td><td>3</td><td></td><td></td></tr> </table>		71	70	69					64	63			60		58	57	56	55	54	53	52	51		49					45	44	43	42	41			37	36		34		73			32		30			28		26			23	21		19	18			73			16	15			12		10			8			5		3				
	71	70	69					64	63			60		58	57	56	55	54	53																																																																					
52	51		49					45	44	43	42	41			37	36		34																																																																						
73			32		30			28		26			23	21		19	18																																																																							
73			16	15			12		10			8			5		3																																																																							
AVAILABLE	NOT APPLICABLE	34566-3923	0	B	ST GRY	<table border="1"> <tr><td>72</td><td></td><td>70</td><td></td><td>68</td><td></td><td>66</td><td></td><td></td><td></td><td></td><td></td><td></td><td>60</td><td>59</td><td></td><td></td><td></td><td>55</td><td>54</td><td>53</td></tr> <tr><td>52</td><td></td><td>50</td><td></td><td>48</td><td></td><td>46</td><td></td><td></td><td></td><td></td><td></td><td></td><td>40</td><td>39</td><td></td><td></td><td></td><td>35</td><td>34</td><td>33</td></tr> <tr><td colspan="3">73</td><td>32</td><td>31</td><td>30</td><td>29</td><td>28</td><td>27</td><td>26</td><td>25</td><td>24</td><td>23</td><td></td><td></td><td></td><td>19</td><td>18</td><td></td><td></td></tr> <tr><td colspan="3">73</td><td>16</td><td></td><td></td><td></td><td></td><td></td><td>10</td><td>9</td><td>8</td><td>7</td><td></td><td></td><td></td><td></td><td></td><td></td><td></td></tr> </table>	72		70		68		66							60	59				55	54	53	52		50		48		46							40	39				35	34	33	73			32	31	30	29	28	27	26	25	24	23				19	18			73			16						10	9	8	7							
72		70		68		66							60	59				55	54	53																																																																				
52		50		48		46							40	39				35	34	33																																																																				
73			32	31	30	29	28	27	26	25	24	23				19	18																																																																							
73			16						10	9	8	7																																																																												
AVAILABLE	NOT APPLICABLE	34566-3933	0	A	BLACK	<table border="1"> <tr><td></td><td>71</td><td>70</td><td>69</td><td></td><td></td><td></td><td></td><td>64</td><td>63</td><td></td><td></td><td>60</td><td></td><td>58</td><td>57</td><td>56</td><td>55</td><td>54</td><td>53</td></tr> <tr><td>52</td><td>51</td><td></td><td>49</td><td></td><td></td><td></td><td></td><td>45</td><td>44</td><td>43</td><td>42</td><td>41</td><td></td><td></td><td>37</td><td>36</td><td></td><td>34</td><td></td></tr> <tr><td colspan="3">73</td><td>32</td><td></td><td>30</td><td></td><td></td><td>28</td><td></td><td>26</td><td></td><td></td><td></td><td></td><td></td><td></td><td>19</td><td>18</td><td></td></tr> <tr><td colspan="3">73</td><td>16</td><td>15</td><td></td><td></td><td>12</td><td></td><td>10</td><td></td><td></td><td></td><td></td><td></td><td></td><td></td><td>3</td><td></td><td></td></tr> </table>		71	70	69					64	63			60		58	57	56	55	54	53	52	51		49					45	44	43	42	41			37	36		34		73			32		30			28		26							19	18		73			16	15			12		10								3				
	71	70	69					64	63			60		58	57	56	55	54	53																																																																					
52	51		49					45	44	43	42	41			37	36		34																																																																						
73			32		30			28		26							19	18																																																																						
73			16	15			12		10								3																																																																							
AVAILABLE	NOT APPLICABLE	34566-3943	0	C	BLUE	<table border="1"> <tr><td>72</td><td></td><td>70</td><td></td><td>68</td><td></td><td>66</td><td></td><td></td><td></td><td></td><td></td><td></td><td>60</td><td>59</td><td></td><td></td><td></td><td>55</td><td>54</td><td>53</td></tr> <tr><td>52</td><td></td><td>50</td><td></td><td>48</td><td></td><td>46</td><td></td><td></td><td></td><td></td><td></td><td></td><td>40</td><td>39</td><td></td><td></td><td></td><td>35</td><td>34</td><td>33</td></tr> <tr><td colspan="3">73</td><td>32</td><td>31</td><td>30</td><td>29</td><td>28</td><td>27</td><td>26</td><td>25</td><td>24</td><td></td><td></td><td></td><td></td><td></td><td></td><td></td><td></td></tr> <tr><td colspan="3">73</td><td>16</td><td></td><td></td><td></td><td></td><td></td><td>10</td><td>9</td><td>8</td><td></td><td></td><td></td><td></td><td></td><td></td><td></td><td></td></tr> </table>	72		70		68		66							60	59				55	54	53	52		50		48		46							40	39				35	34	33	73			32	31	30	29	28	27	26	25	24									73			16						10	9	8								
72		70		68		66							60	59				55	54	53																																																																				
52		50		48		46							40	39				35	34	33																																																																				
73			32	31	30	29	28	27	26	25	24																																																																													
73			16						10	9	8																																																																													
AVAILABLE	NOT APPLICABLE	34566-3953	0	C	BLUE	<table border="1"> <tr><td>72</td><td></td><td>70</td><td></td><td>68</td><td></td><td></td><td></td><td>63</td><td>62</td><td></td><td></td><td></td><td>59</td><td></td><td>57</td><td></td><td></td><td></td><td>53</td></tr> <tr><td>52</td><td>51</td><td></td><td></td><td>48</td><td>47</td><td>46</td><td></td><td>44</td><td>42</td><td></td><td></td><td>40</td><td>39</td><td></td><td></td><td></td><td></td><td>34</td><td>33</td></tr> <tr><td colspan="3">73</td><td>32</td><td></td><td>30</td><td></td><td></td><td></td><td>26</td><td>25</td><td></td><td></td><td>23</td><td>22</td><td>21</td><td>20</td><td></td><td></td><td></td></tr> <tr><td colspan="3">73</td><td></td><td>15</td><td>14</td><td>13</td><td></td><td></td><td></td><td></td><td></td><td></td><td>7</td><td>6</td><td>5</td><td>4</td><td></td><td></td><td></td></tr> </table>	72		70		68				63	62				59		57				53	52	51			48	47	46		44	42			40	39					34	33	73			32		30				26	25			23	22	21	20				73				15	14	13							7	6	5	4					
72		70		68				63	62				59		57				53																																																																					
52	51			48	47	46		44	42			40	39					34	33																																																																					
73			32		30				26	25			23	22	21	20																																																																								
73				15	14	13							7	6	5	4																																																																								
AVAILABLE	NOT APPLICABLE	34566-3963	0	C	BLUE	<table border="1"> <tr><td>72</td><td></td><td>70</td><td></td><td>68</td><td>67</td><td>66</td><td></td><td></td><td>63</td><td>62</td><td></td><td></td><td>59</td><td></td><td>57</td><td></td><td></td><td></td><td>53</td></tr> <tr><td>52</td><td>51</td><td></td><td></td><td>48</td><td>47</td><td>46</td><td></td><td>44</td><td>42</td><td></td><td></td><td>40</td><td>39</td><td>38</td><td></td><td></td><td></td><td>34</td><td>33</td></tr> <tr><td colspan="3">73</td><td>32</td><td></td><td>30</td><td></td><td></td><td></td><td>26</td><td>25</td><td></td><td></td><td></td><td>22</td><td>21</td><td></td><td></td><td></td><td></td></tr> <tr><td colspan="3">73</td><td></td><td>15</td><td>14</td><td></td><td></td><td></td><td>10</td><td>9</td><td></td><td></td><td></td><td>6</td><td>5</td><td>4</td><td></td><td></td><td></td></tr> </table>	72		70		68	67	66			63	62			59		57				53	52	51			48	47	46		44	42			40	39	38				34	33	73			32		30				26	25				22	21					73				15	14				10	9				6	5	4					
72		70		68	67	66			63	62			59		57				53																																																																					
52	51			48	47	46		44	42			40	39	38				34	33																																																																					
73			32		30				26	25				22	21																																																																									
73				15	14				10	9				6	5	4																																																																								
AVAILABLE	NOT APPLICABLE	34566-3973	0	C	BLUE	<table border="1"> <tr><td>72</td><td></td><td>70</td><td></td><td>68</td><td>67</td><td></td><td></td><td></td><td>63</td><td>62</td><td></td><td></td><td>59</td><td></td><td>57</td><td></td><td></td><td></td><td>53</td></tr> <tr><td>52</td><td>51</td><td></td><td></td><td>48</td><td>47</td><td>46</td><td></td><td>44</td><td>42</td><td></td><td></td><td>40</td><td>39</td><td>38</td><td></td><td></td><td></td><td>34</td><td>33</td></tr> <tr><td colspan="3">73</td><td>32</td><td></td><td>30</td><td></td><td></td><td></td><td>26</td><td>25</td><td></td><td></td><td></td><td>22</td><td>21</td><td></td><td></td><td></td><td></td></tr> <tr><td colspan="3">73</td><td></td><td>15</td><td>14</td><td></td><td></td><td></td><td></td><td></td><td></td><td></td><td></td><td>6</td><td>5</td><td>4</td><td></td><td></td><td></td></tr> </table>	72		70		68	67				63	62			59		57				53	52	51			48	47	46		44	42			40	39	38				34	33	73			32		30				26	25				22	21					73				15	14									6	5	4					
72		70		68	67				63	62			59		57				53																																																																					
52	51			48	47	46		44	42			40	39	38				34	33																																																																					
73			32		30				26	25				22	21																																																																									
73				15	14									6	5	4																																																																								
AVAILABLE	NOT APPLICABLE	34566-3983	0	A	BLACK	<table border="1"> <tr><td></td><td>71</td><td>70</td><td>69</td><td></td><td></td><td></td><td></td><td>64</td><td>63</td><td></td><td></td><td>60</td><td>59</td><td>58</td><td>57</td><td>56</td><td>55</td><td>54</td><td>53</td></tr> <tr><td>52</td><td>51</td><td></td><td>49</td><td></td><td></td><td></td><td></td><td>45</td><td>44</td><td>43</td><td>42</td><td>41</td><td>40</td><td></td><td>37</td><td>36</td><td></td><td>34</td><td></td></tr> <tr><td colspan="3">73</td><td>32</td><td></td><td>30</td><td></td><td></td><td>28</td><td></td><td>26</td><td></td><td></td><td></td><td></td><td></td><td></td><td>19</td><td>18</td><td></td></tr> <tr><td colspan="3">73</td><td>16</td><td>15</td><td></td><td></td><td>12</td><td></td><td>10</td><td></td><td></td><td></td><td></td><td></td><td></td><td></td><td>3</td><td></td><td></td></tr> </table>		71	70	69					64	63			60	59	58	57	56	55	54	53	52	51		49					45	44	43	42	41	40		37	36		34		73			32		30			28		26							19	18		73			16	15			12		10								3				
	71	70	69					64	63			60	59	58	57	56	55	54	53																																																																					
52	51		49					45	44	43	42	41	40		37	36		34																																																																						
73			32		30			28		26							19	18																																																																						
73			16	15			12		10								3																																																																							
AVAILABLE	NOT APPLICABLE	34566-3993	0	A	BLACK	<table border="1"> <tr><td></td><td></td><td>70</td><td>69</td><td></td><td></td><td></td><td></td><td></td><td>63</td><td>62</td><td>61</td><td>60</td><td></td><td>58</td><td>57</td><td>56</td><td>55</td><td>54</td><td>53</td></tr> <tr><td>52</td><td>51</td><td></td><td>49</td><td></td><td></td><td></td><td></td><td>44</td><td>43</td><td>42</td><td>41</td><td>40</td><td></td><td></td><td>37</td><td>36</td><td></td><td>34</td><td></td></tr> <tr><td colspan="3">73</td><td>32</td><td></td><td></td><td>29</td><td>28</td><td>27</td><td>26</td><td></td><td></td><td></td><td></td><td></td><td></td><td></td><td>19</td><td>18</td><td></td></tr> <tr><td colspan="3">73</td><td>16</td><td>15</td><td></td><td>13</td><td>12</td><td>11</td><td>10</td><td></td><td></td><td></td><td></td><td></td><td></td><td></td><td>3</td><td></td><td></td></tr> </table>			70	69						63	62	61	60		58	57	56	55	54	53	52	51		49					44	43	42	41	40			37	36		34		73			32			29	28	27	26								19	18		73			16	15		13	12	11	10								3				
		70	69						63	62	61	60		58	57	56	55	54	53																																																																					
52	51		49					44	43	42	41	40			37	36		34																																																																						
73			32			29	28	27	26								19	18																																																																						
73			16	15		13	12	11	10								3																																																																							

<b>QUALITY SYMBOLS</b> = 0 = 0 = 0 = 0 = 0 = 0 = 0 = 0 = 0		THIS DRAWING CONTAINS INFORMATION THAT IS PROPRIETARY TO MOLEX ELECTRONIC TECHNOLOGIES, LLC AND SHOULD NOT BE USED WITHOUT WRITTEN PERMISSION		DIMENSION UNITS <b>MM</b>		SCALE <b>1:1</b>			
EC NO: 115716 DRWN: TYE CHKD: JDENG02 REV APPR: JDENG02		2017/04/12 2017/04/21		GENERAL TOLERANCES (UNLESS SPECIFIED) ANGULAR TOL ± °		DRWN BY <b>SKRAJENDRANA</b>			
		4 PLACES ±		CHKD BY <b>MVANSLAMBROU</b>		DATE <b>2011/02/14</b>		PRODUCT CUSTOMER DRAWING	
		3 PLACES ±		APPR BY		DATE		SERIES <b>34566</b>	
		2 PLACES ±		DRAWING SIZE <b>D</b>		THIRD ANGLE PROJECTION 		MATERIAL NUMBER <b>SEE BOM TABLE</b>	
		1 PLACE ±		DRAFT WHERE APPLICABLE MUST REMAIN WITHIN DIMENSIONS		CUSTOMER <b>GENERAL MARKET</b>		DOCUMENT NUMBER <b>SD-34566-001</b>	
		0 PLACES ±						DOC TYPE <b>PSD</b>	
								DOC PART SHEET NUMBER <b>000 46 OF 93</b>	

STATUS	GM PART #	MATERIAL #	WIRE DRESS OPTION	KEY OPTION	COLOR (TPA)	NUMBERS INDICATE CAVITIES OPEN FOR CIRCUITS																																																																																
AVAILABLE	NOT APPLICABLE	34566-4013	0	B	ST GRY	<table border="1"> <tr><td>72</td><td>70</td><td>68</td><td>66</td><td></td><td></td><td></td><td></td><td></td><td>60</td><td>59</td><td></td><td></td><td></td><td>55</td><td>54</td><td>53</td></tr> <tr><td>52</td><td>50</td><td>48</td><td>46</td><td></td><td></td><td></td><td></td><td></td><td>40</td><td>39</td><td></td><td></td><td></td><td>35</td><td>34</td><td>33</td></tr> <tr><td colspan="2">73</td><td>32</td><td>31</td><td>30</td><td>29</td><td>28</td><td>27</td><td>26</td><td>25</td><td>24</td><td></td><td></td><td></td><td></td><td></td><td>17</td></tr> <tr><td colspan="2"></td><td>16</td><td></td><td></td><td></td><td></td><td></td><td>10</td><td>8</td><td></td><td></td><td></td><td></td><td></td><td>2</td><td>1</td></tr> </table>	72	70	68	66						60	59				55	54	53	52	50	48	46						40	39				35	34	33	73		32	31	30	29	28	27	26	25	24						17			16						10	8						2	1												
72	70	68	66						60	59				55	54	53																																																																						
52	50	48	46						40	39				35	34	33																																																																						
73		32	31	30	29	28	27	26	25	24						17																																																																						
		16						10	8						2	1																																																																						
AVAILABLE	NOT APPLICABLE	34566-4023	0	B	ST GRY	<table border="1"> <tr><td>72</td><td>71</td><td>70</td><td>68</td><td>67</td><td>66</td><td></td><td></td><td></td><td>62</td><td>61</td><td>60</td><td>59</td><td>58</td><td>57</td><td>56</td><td>55</td><td>54</td><td>53</td></tr> <tr><td>52</td><td>51</td><td>50</td><td>48</td><td>47</td><td>46</td><td></td><td></td><td></td><td>42</td><td>41</td><td>40</td><td>39</td><td>38</td><td>37</td><td>36</td><td>35</td><td>34</td><td>33</td></tr> <tr><td colspan="2">73</td><td>32</td><td>31</td><td>30</td><td>29</td><td>28</td><td>27</td><td>26</td><td>25</td><td>24</td><td></td><td></td><td></td><td></td><td></td><td></td><td></td><td></td></tr> <tr><td colspan="2"></td><td>16</td><td>15</td><td>14</td><td>13</td><td></td><td></td><td>10</td><td>9</td><td>8</td><td></td><td></td><td></td><td></td><td></td><td></td><td></td><td></td></tr> </table>	72	71	70	68	67	66				62	61	60	59	58	57	56	55	54	53	52	51	50	48	47	46				42	41	40	39	38	37	36	35	34	33	73		32	31	30	29	28	27	26	25	24											16	15	14	13			10	9	8												
72	71	70	68	67	66				62	61	60	59	58	57	56	55	54	53																																																																				
52	51	50	48	47	46				42	41	40	39	38	37	36	35	34	33																																																																				
73		32	31	30	29	28	27	26	25	24																																																																												
		16	15	14	13			10	9	8																																																																												
AVAILABLE	NOT APPLICABLE	34566-4033	0	C	BLUE	<table border="1"> <tr><td>72</td><td>70</td><td>68</td><td></td><td></td><td></td><td></td><td></td><td>63</td><td>62</td><td></td><td></td><td>59</td><td>58</td><td>57</td><td></td><td></td><td></td><td>53</td></tr> <tr><td>52</td><td>51</td><td>48</td><td>47</td><td></td><td></td><td></td><td>44</td><td>42</td><td></td><td>40</td><td>39</td><td>38</td><td></td><td></td><td></td><td></td><td>34</td><td>33</td></tr> <tr><td colspan="2">73</td><td>32</td><td></td><td>30</td><td></td><td></td><td></td><td>26</td><td>25</td><td></td><td></td><td>22</td><td>21</td><td>20</td><td></td><td></td><td></td><td>17</td></tr> <tr><td colspan="2"></td><td></td><td>15</td><td>14</td><td>13</td><td></td><td></td><td></td><td></td><td></td><td></td><td>6</td><td>5</td><td>4</td><td></td><td></td><td></td><td>1</td></tr> </table>	72	70	68						63	62			59	58	57				53	52	51	48	47				44	42		40	39	38					34	33	73		32		30				26	25			22	21	20				17				15	14	13							6	5	4				1				
72	70	68						63	62			59	58	57				53																																																																				
52	51	48	47				44	42		40	39	38					34	33																																																																				
73		32		30				26	25			22	21	20				17																																																																				
			15	14	13							6	5	4				1																																																																				
AVAILABLE	NOT APPLICABLE	34566-4043	0	A	BLACK	<table border="1"> <tr><td></td><td>71</td><td>70</td><td>69</td><td></td><td>67</td><td></td><td></td><td>64</td><td>63</td><td></td><td></td><td>60</td><td></td><td></td><td>57</td><td>56</td><td>55</td><td>54</td><td>53</td></tr> <tr><td>52</td><td>51</td><td></td><td>49</td><td></td><td></td><td></td><td>45</td><td>44</td><td>43</td><td>42</td><td>41</td><td></td><td></td><td>37</td><td>36</td><td></td><td></td><td>34</td><td></td></tr> <tr><td colspan="2">73</td><td></td><td>32</td><td></td><td>30</td><td></td><td></td><td>28</td><td>26</td><td></td><td></td><td>23</td><td></td><td></td><td></td><td></td><td>19</td><td>18</td><td></td></tr> <tr><td colspan="2"></td><td></td><td>16</td><td>15</td><td></td><td></td><td>12</td><td>10</td><td></td><td></td><td></td><td></td><td></td><td></td><td></td><td></td><td>3</td><td></td><td></td></tr> </table>		71	70	69		67			64	63			60			57	56	55	54	53	52	51		49				45	44	43	42	41			37	36			34		73			32		30			28	26			23					19	18					16	15			12	10									3		
	71	70	69		67			64	63			60			57	56	55	54	53																																																																			
52	51		49				45	44	43	42	41			37	36			34																																																																				
73			32		30			28	26			23					19	18																																																																				
			16	15			12	10									3																																																																					
AVAILABLE	NOT APPLICABLE	34566-4053	0	A	BLACK	<table border="1"> <tr><td>72</td><td></td><td></td><td>69</td><td>67</td><td>66</td><td>65</td><td></td><td>63</td><td></td><td></td><td>60</td><td></td><td></td><td>57</td><td>56</td><td></td><td></td><td></td><td>53</td></tr> <tr><td></td><td></td><td></td><td>49</td><td>47</td><td>46</td><td></td><td>44</td><td>43</td><td>42</td><td></td><td>40</td><td></td><td></td><td>37</td><td>36</td><td>35</td><td></td><td></td><td>33</td></tr> <tr><td colspan="2">73</td><td></td><td></td><td>31</td><td>30</td><td>29</td><td>28</td><td>27</td><td>26</td><td></td><td>24</td><td></td><td></td><td>21</td><td>20</td><td></td><td></td><td></td><td>17</td></tr> <tr><td colspan="2"></td><td></td><td></td><td>16</td><td>15</td><td>14</td><td>13</td><td></td><td>11</td><td>10</td><td></td><td></td><td></td><td>5</td><td>4</td><td>3</td><td>2</td><td></td><td>1</td></tr> </table>	72			69	67	66	65		63			60			57	56				53				49	47	46		44	43	42		40			37	36	35			33	73				31	30	29	28	27	26		24			21	20				17					16	15	14	13		11	10				5	4	3	2		1
72			69	67	66	65		63			60			57	56				53																																																																			
			49	47	46		44	43	42		40			37	36	35			33																																																																			
73				31	30	29	28	27	26		24			21	20				17																																																																			
				16	15	14	13		11	10				5	4	3	2		1																																																																			
AVAILABLE	NOT APPLICABLE	34566-4063	0	B	ST GRY	<table border="1"> <tr><td></td><td></td><td></td><td>68</td><td>67</td><td></td><td></td><td></td><td>64</td><td></td><td></td><td></td><td>59</td><td>58</td><td></td><td></td><td></td><td></td><td>54</td><td></td></tr> <tr><td></td><td></td><td></td><td></td><td></td><td>46</td><td>45</td><td></td><td></td><td></td><td></td><td></td><td>39</td><td>38</td><td></td><td></td><td></td><td></td><td></td><td></td></tr> <tr><td colspan="2">73</td><td></td><td>32</td><td></td><td>30</td><td>29</td><td>28</td><td>27</td><td></td><td></td><td></td><td>23</td><td>22</td><td></td><td></td><td></td><td></td><td></td><td>17</td></tr> <tr><td colspan="2"></td><td></td><td></td><td>15</td><td></td><td>13</td><td></td><td></td><td>10</td><td>8</td><td></td><td></td><td></td><td></td><td></td><td></td><td></td><td></td><td>1</td></tr> </table>				68	67				64				59	58					54							46	45						39	38							73			32		30	29	28	27				23	22						17					15		13			10	8									1
			68	67				64				59	58					54																																																																				
					46	45						39	38																																																																									
73			32		30	29	28	27				23	22						17																																																																			
				15		13			10	8									1																																																																			
AVAILABLE	NOT APPLICABLE	34566-4073	0	A	BLACK	<table border="1"> <tr><td>72</td><td>70</td><td></td><td></td><td></td><td>66</td><td></td><td></td><td>63</td><td>62</td><td></td><td></td><td>59</td><td></td><td>57</td><td>56</td><td>55</td><td></td><td>53</td></tr> <tr><td>52</td><td>51</td><td></td><td></td><td></td><td>46</td><td></td><td>44</td><td>42</td><td></td><td>40</td><td>39</td><td></td><td></td><td>37</td><td>36</td><td></td><td>34</td><td>33</td></tr> <tr><td colspan="2">73</td><td></td><td>32</td><td></td><td>30</td><td></td><td></td><td>26</td><td>25</td><td></td><td></td><td>22</td><td>21</td><td></td><td></td><td>19</td><td>18</td><td></td></tr> <tr><td colspan="2"></td><td></td><td></td><td>15</td><td>14</td><td></td><td></td><td>10</td><td>9</td><td></td><td></td><td>6</td><td></td><td></td><td>3</td><td></td><td></td><td></td></tr> </table>	72	70				66			63	62			59		57	56	55		53	52	51				46		44	42		40	39			37	36		34	33	73			32		30			26	25			22	21			19	18						15	14			10	9			6			3							
72	70				66			63	62			59		57	56	55		53																																																																				
52	51				46		44	42		40	39			37	36		34	33																																																																				
73			32		30			26	25			22	21			19	18																																																																					
				15	14			10	9			6			3																																																																							

<b>QUALITY SYMBOLS</b> = 0 = 0 = 0 = 0 = 0 = 0 = 0 = 0 = 0	THIS DRAWING CONTAINS INFORMATION THAT IS PROPRIETARY TO MOLEX ELECTRONIC TECHNOLOGIES, LLC AND SHOULD NOT BE USED WITHOUT WRITTEN PERMISSION									
	2017/04/12	2017/04/21	GENERAL TOLERANCES (UNLESS SPECIFIED)		DIMENSION UNITS	SCALE				
	MM	1:1								
	DRWN BY	DATE	ANGULAR TOL ± °		DRWN BY	DATE	MX123 66/73/80CKT HRNS CONN ASSY			
	SKRAJENDRANA	2011/02/14	4 PLACES ±		SKRAJENDRANA	2011/02/14				
	CHKD BY	DATE	3 PLACES ±		CHKD BY	DATE	PRODUCT CUSTOMER DRAWING			
	MVANSLAMBROU	2011/02/14	2 PLACES ±		MVANSLAMBROU	2011/02/14				
	APPR BY	DATE	1 PLACE ±		APPR BY	DATE	SERIES MATERIAL NUMBER CUSTOMER 34566 SEE BOM TABLE GENERAL MARKET			
			0 PLACES ±							
	EC NO: 115716	DRWN: TYE	CHKD: JDENG02	REV: APPR: JDENG02	DRAFT WHERE APPLICABLE MUST REMAIN WITHIN DIMENSIONS	DRAWING SIZE	THIRD ANGLE PROJECTION	DOCUMENT NUMBER DOC TYPE DOC PART SHEET NUMBER SD-34566-001 PSD 000 47 OF 93		
G50				D						

STATUS	GM PART #	MATERIAL #	WIRE DRESS OPTION	KEY OPTION	COLOR (TPA)	NUMBERS INDICATE CAVITIES OPEN FOR CIRCUITS																																																																																				
AVAILABLE	NOT APPLICABLE	34566-4083	0	C	BLUE	<table border="1"> <tr><td>72</td><td></td><td>70</td><td></td><td>68</td><td></td><td></td><td></td><td>63</td><td>62</td><td></td><td></td><td>59</td><td>58</td><td>57</td><td></td><td></td><td></td><td>53</td></tr> <tr><td>52</td><td>51</td><td></td><td></td><td>48</td><td>47</td><td></td><td></td><td>44</td><td>42</td><td></td><td>40</td><td>39</td><td>38</td><td>37</td><td>36</td><td></td><td></td><td>34</td><td>33</td></tr> <tr><td colspan="2">73</td><td></td><td></td><td>32</td><td></td><td>30</td><td></td><td>27</td><td>26</td><td>25</td><td>24</td><td></td><td>22</td><td>21</td><td>20</td><td></td><td></td><td></td><td>17</td></tr> <tr><td colspan="2"></td><td></td><td></td><td>15</td><td>14</td><td>13</td><td></td><td></td><td></td><td></td><td>8</td><td></td><td>6</td><td>5</td><td>4</td><td></td><td></td><td>2</td><td>1</td></tr> </table>	72		70		68				63	62			59	58	57				53	52	51			48	47			44	42		40	39	38	37	36			34	33	73				32		30		27	26	25	24		22	21	20				17					15	14	13					8		6	5	4			2	1					
72		70		68				63	62			59	58	57				53																																																																								
52	51			48	47			44	42		40	39	38	37	36			34	33																																																																							
73				32		30		27	26	25	24		22	21	20				17																																																																							
				15	14	13					8		6	5	4			2	1																																																																							
AVAILABLE	NOT APPLICABLE	34566-4093	0	A	BLACK	<table border="1"> <tr><td></td><td>71</td><td>70</td><td>69</td><td></td><td>67</td><td></td><td></td><td>64</td><td>63</td><td></td><td></td><td>60</td><td></td><td></td><td>57</td><td>56</td><td>55</td><td>54</td><td>53</td></tr> <tr><td>52</td><td>51</td><td></td><td>49</td><td></td><td>47</td><td></td><td>45</td><td>44</td><td>43</td><td>42</td><td>41</td><td></td><td></td><td></td><td>37</td><td>36</td><td></td><td>34</td><td></td></tr> <tr><td colspan="2">73</td><td></td><td></td><td>32</td><td></td><td>30</td><td></td><td>28</td><td></td><td>26</td><td></td><td></td><td>23</td><td></td><td></td><td></td><td>19</td><td>18</td><td></td></tr> <tr><td colspan="2"></td><td></td><td></td><td>16</td><td>15</td><td></td><td></td><td>12</td><td>10</td><td></td><td></td><td></td><td></td><td></td><td></td><td></td><td>3</td><td></td><td></td></tr> </table>		71	70	69		67			64	63			60			57	56	55	54	53	52	51		49		47		45	44	43	42	41				37	36		34		73				32		30		28		26			23				19	18						16	15			12	10								3						
	71	70	69		67			64	63			60			57	56	55	54	53																																																																							
52	51		49		47		45	44	43	42	41				37	36		34																																																																								
73				32		30		28		26			23				19	18																																																																								
				16	15			12	10								3																																																																									
AVAILABLE	NOT APPLICABLE	34566-4113	0	B	ST GRY	<table border="1"> <tr><td></td><td></td><td></td><td></td><td>68</td><td>67</td><td></td><td></td><td>64</td><td></td><td></td><td></td><td></td><td></td><td></td><td>58</td><td></td><td></td><td></td><td></td></tr> <tr><td></td><td></td><td></td><td></td><td></td><td>46</td><td>45</td><td></td><td></td><td></td><td></td><td></td><td></td><td></td><td></td><td>38</td><td></td><td></td><td></td><td></td></tr> <tr><td colspan="2">73</td><td></td><td></td><td>32</td><td></td><td>30</td><td>29</td><td>28</td><td>27</td><td></td><td></td><td></td><td></td><td>22</td><td></td><td></td><td></td><td></td><td>17</td></tr> <tr><td colspan="2"></td><td></td><td></td><td>15</td><td></td><td>13</td><td></td><td></td><td>10</td><td></td><td></td><td></td><td></td><td></td><td></td><td></td><td></td><td></td><td>1</td></tr> </table>					68	67			64							58										46	45									38					73				32		30	29	28	27					22					17					15		13			10										1				
				68	67			64							58																																																																											
					46	45									38																																																																											
73				32		30	29	28	27					22					17																																																																							
				15		13			10										1																																																																							
AVAILABLE	NOT APPLICABLE	34566-4123	9	A	BLACK	<table border="1"> <tr><td>72</td><td></td><td></td><td>69</td><td></td><td>67</td><td>66</td><td>65</td><td></td><td>63</td><td></td><td></td><td>60</td><td></td><td></td><td>57</td><td>56</td><td></td><td></td><td>53</td></tr> <tr><td></td><td></td><td></td><td>49</td><td></td><td>47</td><td>46</td><td></td><td>44</td><td>43</td><td>42</td><td></td><td>40</td><td></td><td></td><td>37</td><td>36</td><td>35</td><td></td><td>33</td></tr> <tr><td colspan="2">73</td><td></td><td></td><td></td><td>31</td><td>30</td><td>29</td><td>28</td><td></td><td>26</td><td></td><td>24</td><td></td><td></td><td>21</td><td>20</td><td></td><td></td><td>17</td></tr> <tr><td colspan="2"></td><td></td><td></td><td>16</td><td>15</td><td>14</td><td>13</td><td></td><td>11</td><td>10</td><td></td><td></td><td></td><td></td><td>5</td><td>4</td><td>3</td><td>2</td><td>1</td></tr> </table>	72			69		67	66	65		63			60			57	56			53				49		47	46		44	43	42		40			37	36	35		33	73					31	30	29	28		26		24			21	20			17					16	15	14	13		11	10					5	4	3	2	1				
72			69		67	66	65		63			60			57	56			53																																																																							
			49		47	46		44	43	42		40			37	36	35		33																																																																							
73					31	30	29	28		26		24			21	20			17																																																																							
				16	15	14	13		11	10					5	4	3	2	1																																																																							
AVAILABLE	NOT APPLICABLE	34566-4133	9	B	ST GRY	<table border="1"> <tr><td></td><td></td><td></td><td></td><td>68</td><td>67</td><td></td><td></td><td>64</td><td></td><td></td><td></td><td></td><td>59</td><td>58</td><td></td><td></td><td></td><td></td><td>54</td></tr> <tr><td></td><td></td><td></td><td></td><td></td><td>46</td><td>45</td><td></td><td></td><td></td><td></td><td></td><td></td><td>39</td><td>38</td><td></td><td></td><td></td><td></td><td></td></tr> <tr><td colspan="2">73</td><td></td><td></td><td>32</td><td></td><td>30</td><td>29</td><td>28</td><td>27</td><td></td><td></td><td></td><td>23</td><td>22</td><td></td><td></td><td></td><td></td><td>17</td></tr> <tr><td colspan="2"></td><td></td><td></td><td>15</td><td></td><td>13</td><td></td><td></td><td>10</td><td>9</td><td>8</td><td></td><td></td><td></td><td></td><td></td><td></td><td></td><td>1</td></tr> </table>					68	67			64					59	58					54						46	45							39	38						73				32		30	29	28	27				23	22					17					15		13			10	9	8								1				
				68	67			64					59	58					54																																																																							
					46	45							39	38																																																																												
73				32		30	29	28	27				23	22					17																																																																							
				15		13			10	9	8								1																																																																							
AVAILABLE	NOT APPLICABLE	34566-4143	0	B	ST GRY	<table border="1"> <tr><td></td><td></td><td></td><td></td><td>68</td><td>67</td><td></td><td></td><td>64</td><td></td><td></td><td></td><td></td><td>59</td><td>58</td><td></td><td></td><td></td><td></td><td>54</td></tr> <tr><td></td><td></td><td></td><td></td><td></td><td>46</td><td>45</td><td></td><td></td><td></td><td></td><td></td><td></td><td>39</td><td>38</td><td></td><td></td><td></td><td></td><td></td></tr> <tr><td colspan="2">73</td><td></td><td></td><td>32</td><td></td><td>30</td><td>29</td><td>28</td><td>27</td><td></td><td></td><td></td><td>23</td><td>22</td><td></td><td></td><td></td><td></td><td>17</td></tr> <tr><td colspan="2"></td><td></td><td></td><td></td><td></td><td></td><td></td><td></td><td>10</td><td>9</td><td></td><td></td><td></td><td></td><td></td><td></td><td></td><td></td><td>1</td></tr> </table>					68	67			64					59	58					54						46	45							39	38						73				32		30	29	28	27				23	22					17										10	9									1				
				68	67			64					59	58					54																																																																							
					46	45							39	38																																																																												
73				32		30	29	28	27				23	22					17																																																																							
									10	9									1																																																																							
AVAILABLE	NOT APPLICABLE	34566-4153	0	B	ST GRY	<table border="1"> <tr><td>72</td><td></td><td>70</td><td></td><td>68</td><td></td><td>66</td><td></td><td></td><td></td><td></td><td></td><td>60</td><td>59</td><td></td><td></td><td></td><td></td><td>55</td><td>54</td><td>53</td></tr> <tr><td>52</td><td></td><td>50</td><td></td><td>48</td><td></td><td>46</td><td></td><td>44</td><td></td><td></td><td></td><td>40</td><td>39</td><td></td><td></td><td></td><td></td><td>35</td><td>34</td><td>33</td></tr> <tr><td colspan="2">73</td><td></td><td></td><td>32</td><td>31</td><td>30</td><td>29</td><td>28</td><td>27</td><td>26</td><td>25</td><td>24</td><td>23</td><td></td><td></td><td></td><td></td><td>19</td><td>18</td><td></td></tr> <tr><td colspan="2"></td><td></td><td></td><td>16</td><td></td><td></td><td></td><td></td><td></td><td>10</td><td>9</td><td>8</td><td>7</td><td></td><td></td><td></td><td></td><td></td><td></td><td></td></tr> </table>	72		70		68		66						60	59					55	54	53	52		50		48		46		44				40	39					35	34	33	73				32	31	30	29	28	27	26	25	24	23					19	18						16						10	9	8	7							
72		70		68		66						60	59					55	54	53																																																																						
52		50		48		46		44				40	39					35	34	33																																																																						
73				32	31	30	29	28	27	26	25	24	23					19	18																																																																							
				16						10	9	8	7																																																																													
AVAILABLE	NOT APPLICABLE	34566-4163	0	B	ST GRY	<table border="1"> <tr><td>72</td><td></td><td>70</td><td></td><td>68</td><td></td><td>66</td><td></td><td></td><td></td><td></td><td></td><td>60</td><td>59</td><td></td><td></td><td></td><td></td><td>55</td><td>54</td><td>53</td></tr> <tr><td>52</td><td></td><td>50</td><td></td><td>48</td><td></td><td>46</td><td></td><td></td><td></td><td></td><td></td><td>40</td><td>39</td><td></td><td></td><td></td><td></td><td>35</td><td>34</td><td>33</td></tr> <tr><td colspan="2">73</td><td></td><td></td><td>32</td><td>31</td><td>30</td><td>29</td><td>28</td><td>27</td><td>26</td><td>25</td><td>24</td><td></td><td></td><td></td><td></td><td></td><td></td><td>17</td><td></td></tr> <tr><td colspan="2"></td><td></td><td></td><td>16</td><td></td><td></td><td></td><td></td><td></td><td>10</td><td>8</td><td>7</td><td></td><td></td><td></td><td></td><td></td><td></td><td>2</td><td>1</td></tr> </table>	72		70		68		66						60	59					55	54	53	52		50		48		46						40	39					35	34	33	73				32	31	30	29	28	27	26	25	24							17						16						10	8	7							2	1
72		70		68		66						60	59					55	54	53																																																																						
52		50		48		46						40	39					35	34	33																																																																						
73				32	31	30	29	28	27	26	25	24							17																																																																							
				16						10	8	7							2	1																																																																						
AVAILABLE	NOT APPLICABLE	34566-4173	0	A	BLACK	<table border="1"> <tr><td>72</td><td>71</td><td>70</td><td>69</td><td></td><td></td><td></td><td></td><td>64</td><td>63</td><td></td><td></td><td>60</td><td>59</td><td>58</td><td></td><td>56</td><td>55</td><td>54</td><td>53</td></tr> <tr><td>52</td><td>51</td><td></td><td>49</td><td></td><td>47</td><td></td><td>45</td><td>44</td><td>43</td><td>42</td><td>41</td><td></td><td></td><td>38</td><td></td><td>36</td><td></td><td>34</td><td></td></tr> <tr><td colspan="2">73</td><td></td><td></td><td>32</td><td></td><td>30</td><td></td><td>28</td><td></td><td>26</td><td>25</td><td></td><td></td><td>21</td><td></td><td>19</td><td>18</td><td></td><td></td></tr> <tr><td colspan="2"></td><td></td><td></td><td>16</td><td>15</td><td></td><td></td><td>12</td><td>10</td><td>9</td><td>8</td><td></td><td></td><td>5</td><td></td><td>3</td><td></td><td></td><td></td></tr> </table>	72	71	70	69					64	63			60	59	58		56	55	54	53	52	51		49		47		45	44	43	42	41			38		36		34		73				32		30		28		26	25			21		19	18							16	15			12	10	9	8			5		3							
72	71	70	69					64	63			60	59	58		56	55	54	53																																																																							
52	51		49		47		45	44	43	42	41			38		36		34																																																																								
73				32		30		28		26	25			21		19	18																																																																									
				16	15			12	10	9	8			5		3																																																																										

<b>QUALITY SYMBOLS</b> 	THIS DRAWING CONTAINS INFORMATION THAT IS PROPRIETARY TO MOLEX ELECTRONIC TECHNOLOGIES, LLC AND SHOULD NOT BE USED WITHOUT WRITTEN PERMISSION									
	2017/04/12	2017/04/21	GENERAL TOLERANCES (UNLESS SPECIFIED)		DIMENSION UNITS	SCALE				
	DRWN BY	DATE	MM	1:1						
	ANGULAR TOL ± °		DRWN BY	DATE						
	4 PLACES ±	SKRAJENDRANA	2011/02/14							
	3 PLACES ±	CHKD BY	DATE							
	2 PLACES ±	MVANSLAMBROU	2011/02/14							
	1 PLACE ±	APPR BY	DATE							
	0 PLACES ±									
	DRAFT WHERE APPLICABLE MUST REMAIN WITHIN DIMENSIONS		DRAWING SIZE	THIRD ANGLE PROJECTION						
G50		D								
EC NO: 115716	DRWN: TYE	CHKD: JDENG02	REV: APPR: JDENG02	SERIES		MATERIAL NUMBER		CUSTOMER		
				34566	SEE BOM TABLE		GENERAL MARKET			
				DOCUMENT NUMBER		DOC TYPE	DOC PART	SHEET NUMBER		
				SD-34566-001		PSD	000	48 OF 93		

STATUS	GM PART #	MATERIAL #	WIRE DRESS OPTION	KEY OPTION	COLOR (TPA)	NUMBERS INDICATE CAVITIES OPEN FOR CIRCUITS																																																																																						
AVAILABLE	NOT APPLICABLE	34566-4183	0	C	BLUE	<table border="1"> <tr><td>72</td><td></td><td>70</td><td></td><td>68</td><td></td><td>66</td><td></td><td></td><td>63</td><td>62</td><td></td><td></td><td>59</td><td>58</td><td>57</td><td></td><td></td><td></td><td>53</td></tr> <tr><td>52</td><td>51</td><td></td><td></td><td>48</td><td>47</td><td>46</td><td></td><td>44</td><td></td><td>42</td><td></td><td>40</td><td>39</td><td></td><td></td><td></td><td></td><td></td><td>34</td><td>33</td></tr> <tr><td colspan="2">73</td><td></td><td></td><td>32</td><td></td><td>30</td><td></td><td></td><td></td><td>26</td><td>25</td><td></td><td>23</td><td>22</td><td>21</td><td>20</td><td></td><td></td><td>17</td></tr> <tr><td colspan="2"></td><td></td><td></td><td>15</td><td>14</td><td>13</td><td></td><td></td><td></td><td>10</td><td>9</td><td></td><td>7</td><td>6</td><td>5</td><td>4</td><td></td><td></td><td>1</td></tr> </table>	72		70		68		66			63	62			59	58	57				53	52	51			48	47	46		44		42		40	39						34	33	73				32		30				26	25		23	22	21	20			17					15	14	13				10	9		7	6	5	4			1					
72		70		68		66			63	62			59	58	57				53																																																																									
52	51			48	47	46		44		42		40	39						34	33																																																																								
73				32		30				26	25		23	22	21	20			17																																																																									
				15	14	13				10	9		7	6	5	4			1																																																																									
AVAILABLE	NOT APPLICABLE	34566-4193	0	C	BLUE	<table border="1"> <tr><td></td><td>71</td><td></td><td>69</td><td></td><td></td><td></td><td></td><td>65</td><td>64</td><td></td><td></td><td>61</td><td>60</td><td></td><td>58</td><td></td><td>56</td><td>55</td><td>54</td><td></td></tr> <tr><td></td><td></td><td>50</td><td>49</td><td></td><td></td><td></td><td></td><td>45</td><td>43</td><td></td><td></td><td>41</td><td></td><td></td><td>38</td><td>37</td><td>36</td><td>35</td><td></td><td></td></tr> <tr><td colspan="2">73</td><td></td><td></td><td></td><td>31</td><td></td><td></td><td>29</td><td>28</td><td></td><td></td><td></td><td>24</td><td>23</td><td></td><td></td><td>20</td><td>19</td><td>18</td><td>17</td></tr> <tr><td colspan="2"></td><td></td><td></td><td>16</td><td></td><td></td><td></td><td>13</td><td>12</td><td>11</td><td></td><td></td><td>8</td><td>7</td><td></td><td></td><td>3</td><td>2</td><td>1</td><td></td></tr> </table>		71		69					65	64			61	60		58		56	55	54				50	49					45	43			41			38	37	36	35			73					31			29	28				24	23			20	19	18	17					16				13	12	11			8	7			3	2	1			
	71		69					65	64			61	60		58		56	55	54																																																																									
		50	49					45	43			41			38	37	36	35																																																																										
73					31			29	28				24	23			20	19	18	17																																																																								
				16				13	12	11			8	7			3	2	1																																																																									
AVAILABLE	NOT APPLICABLE	34566-4213	0	A	BLACK	<table border="1"> <tr><td>72</td><td>71</td><td></td><td></td><td>68</td><td>67</td><td>66</td><td>65</td><td>64</td><td></td><td></td><td></td><td>60</td><td>59</td><td>58</td><td></td><td></td><td></td><td></td><td></td><td></td></tr> <tr><td></td><td></td><td>50</td><td></td><td>48</td><td>47</td><td>46</td><td>45</td><td></td><td></td><td></td><td></td><td>40</td><td>39</td><td>38</td><td></td><td></td><td></td><td>35</td><td></td><td></td></tr> <tr><td colspan="2">73</td><td></td><td></td><td></td><td>31</td><td>30</td><td></td><td></td><td></td><td></td><td></td><td>25</td><td>24</td><td></td><td>22</td><td>21</td><td>20</td><td></td><td></td><td>17</td></tr> <tr><td colspan="2"></td><td></td><td></td><td></td><td></td><td>14</td><td></td><td></td><td></td><td></td><td></td><td>9</td><td>7</td><td>6</td><td>5</td><td>4</td><td></td><td></td><td>2</td><td>1</td></tr> </table>	72	71			68	67	66	65	64				60	59	58									50		48	47	46	45					40	39	38				35			73					31	30						25	24		22	21	20			17							14						9	7	6	5	4			2	1		
72	71			68	67	66	65	64				60	59	58																																																																														
		50		48	47	46	45					40	39	38				35																																																																										
73					31	30						25	24		22	21	20			17																																																																								
						14						9	7	6	5	4			2	1																																																																								
AVAILABLE	NOT APPLICABLE	34566-4223	0	A	BLACK	<table border="1"> <tr><td>72</td><td>71</td><td></td><td></td><td>68</td><td>67</td><td>66</td><td>65</td><td>64</td><td></td><td></td><td></td><td>60</td><td>59</td><td></td><td></td><td></td><td></td><td></td><td></td><td></td></tr> <tr><td></td><td></td><td>50</td><td></td><td>48</td><td>47</td><td>46</td><td>45</td><td></td><td></td><td></td><td></td><td>40</td><td>39</td><td>38</td><td></td><td></td><td></td><td>35</td><td></td><td>33</td></tr> <tr><td colspan="2">73</td><td></td><td></td><td></td><td>31</td><td>30</td><td></td><td></td><td></td><td></td><td></td><td>25</td><td>24</td><td>23</td><td>22</td><td>21</td><td>20</td><td></td><td></td><td>17</td></tr> <tr><td colspan="2"></td><td></td><td></td><td></td><td></td><td>14</td><td></td><td></td><td></td><td></td><td></td><td>9</td><td>8</td><td>7</td><td>6</td><td>5</td><td>4</td><td></td><td></td><td>2</td><td>1</td></tr> </table>	72	71			68	67	66	65	64				60	59										50		48	47	46	45					40	39	38				35		33	73					31	30						25	24	23	22	21	20			17							14						9	8	7	6	5	4			2	1	
72	71			68	67	66	65	64				60	59																																																																															
		50		48	47	46	45					40	39	38				35		33																																																																								
73					31	30						25	24	23	22	21	20			17																																																																								
						14						9	8	7	6	5	4			2	1																																																																							
AVAILABLE	NOT APPLICABLE	34566-4233	0	B	ST GRY	<table border="1"> <tr><td></td><td></td><td></td><td>69</td><td></td><td></td><td></td><td></td><td>65</td><td>64</td><td>63</td><td></td><td></td><td></td><td></td><td></td><td></td><td></td><td></td><td></td><td></td></tr> <tr><td></td><td></td><td></td><td>49</td><td></td><td></td><td></td><td></td><td>45</td><td>44</td><td>43</td><td></td><td></td><td></td><td></td><td></td><td></td><td></td><td></td><td></td><td></td></tr> <tr><td colspan="2">73</td><td></td><td></td><td></td><td></td><td></td><td></td><td></td><td></td><td></td><td></td><td></td><td></td><td>23</td><td>22</td><td>21</td><td>20</td><td>19</td><td>18</td><td></td></tr> <tr><td colspan="2"></td><td></td><td></td><td></td><td></td><td></td><td></td><td></td><td></td><td>12</td><td>11</td><td></td><td>9</td><td>7</td><td>6</td><td>5</td><td>4</td><td>3</td><td></td><td></td></tr> </table>				69					65	64	63														49					45	44	43											73														23	22	21	20	19	18												12	11		9	7	6	5	4	3				
			69					65	64	63																																																																																		
			49					45	44	43																																																																																		
73														23	22	21	20	19	18																																																																									
										12	11		9	7	6	5	4	3																																																																										
AVAILABLE	NOT APPLICABLE	34566-4243	0	A	BLACK	<table border="1"> <tr><td></td><td>51</td><td>50</td><td></td><td></td><td></td><td></td><td></td><td></td><td></td><td></td><td></td><td>61</td><td></td><td></td><td>58</td><td>57</td><td>56</td><td></td><td></td><td></td></tr> <tr><td colspan="2">73</td><td></td><td></td><td></td><td></td><td>47</td><td>46</td><td></td><td></td><td></td><td></td><td></td><td></td><td></td><td>38</td><td>37</td><td>36</td><td></td><td></td><td></td></tr> <tr><td colspan="2"></td><td></td><td></td><td></td><td></td><td>31</td><td>30</td><td></td><td></td><td></td><td></td><td>26</td><td></td><td></td><td>22</td><td>21</td><td>20</td><td></td><td></td><td></td></tr> <tr><td colspan="2"></td><td></td><td></td><td></td><td></td><td>15</td><td>14</td><td></td><td></td><td></td><td>10</td><td></td><td></td><td></td><td></td><td></td><td></td><td></td><td></td><td></td></tr> </table>		51	50										61			58	57	56				73						47	46								38	37	36										31	30					26			22	21	20										15	14				10											
	51	50										61			58	57	56																																																																											
73						47	46								38	37	36																																																																											
						31	30					26			22	21	20																																																																											
						15	14				10																																																																																	
AVAILABLE	NOT APPLICABLE	34566-4253	0	A	BLACK	<table border="1"> <tr><td></td><td>51</td><td>50</td><td></td><td></td><td></td><td></td><td></td><td></td><td></td><td></td><td></td><td>61</td><td></td><td></td><td>58</td><td>57</td><td>56</td><td></td><td></td><td></td></tr> <tr><td colspan="2">73</td><td></td><td></td><td></td><td></td><td>47</td><td>46</td><td>45</td><td></td><td></td><td></td><td></td><td></td><td></td><td>38</td><td>37</td><td>36</td><td></td><td></td><td></td></tr> <tr><td colspan="2"></td><td></td><td></td><td></td><td></td><td>31</td><td>30</td><td></td><td></td><td></td><td></td><td>26</td><td></td><td></td><td>22</td><td>21</td><td>20</td><td></td><td></td><td></td></tr> <tr><td colspan="2"></td><td></td><td></td><td></td><td></td><td>15</td><td>14</td><td></td><td></td><td></td><td>10</td><td></td><td></td><td></td><td></td><td></td><td></td><td></td><td></td><td></td></tr> </table>		51	50										61			58	57	56				73						47	46	45							38	37	36										31	30					26			22	21	20										15	14				10											
	51	50										61			58	57	56																																																																											
73						47	46	45							38	37	36																																																																											
						31	30					26			22	21	20																																																																											
						15	14				10																																																																																	
AVAILABLE	NOT APPLICABLE	34566-4263	0	B	ST GRY	<table border="1"> <tr><td>72</td><td>71</td><td>70</td><td>69</td><td>68</td><td></td><td></td><td></td><td>65</td><td>64</td><td></td><td>62</td><td>61</td><td>60</td><td></td><td></td><td></td><td></td><td></td><td></td><td>54</td></tr> <tr><td>52</td><td>51</td><td></td><td></td><td></td><td></td><td></td><td></td><td>47</td><td>46</td><td></td><td>44</td><td>42</td><td>41</td><td>40</td><td></td><td></td><td></td><td></td><td></td><td></td></tr> <tr><td colspan="2">73</td><td></td><td></td><td></td><td></td><td>32</td><td>31</td><td>30</td><td></td><td></td><td>28</td><td>26</td><td>25</td><td>24</td><td></td><td></td><td></td><td>20</td><td>19</td><td>17</td></tr> <tr><td colspan="2"></td><td></td><td></td><td></td><td></td><td></td><td></td><td></td><td></td><td>12</td><td>11</td><td>10</td><td>9</td><td></td><td></td><td></td><td></td><td></td><td></td><td>2</td><td>1</td></tr> </table>	72	71	70	69	68				65	64		62	61	60							54	52	51							47	46		44	42	41	40							73						32	31	30			28	26	25	24				20	19	17											12	11	10	9							2	1	
72	71	70	69	68				65	64		62	61	60							54																																																																								
52	51							47	46		44	42	41	40																																																																														
73						32	31	30			28	26	25	24				20	19	17																																																																								
										12	11	10	9							2	1																																																																							
AVAILABLE	NOT APPLICABLE	34566-4273	0	B	ST GRY	<table border="1"> <tr><td>72</td><td>71</td><td>70</td><td>69</td><td>68</td><td>67</td><td>66</td><td>65</td><td>64</td><td></td><td>62</td><td>61</td><td>60</td><td></td><td></td><td></td><td></td><td></td><td></td><td></td><td>54</td></tr> <tr><td>52</td><td>51</td><td></td><td></td><td></td><td></td><td></td><td></td><td>47</td><td>46</td><td></td><td>44</td><td>42</td><td>41</td><td>40</td><td></td><td></td><td></td><td></td><td></td><td></td></tr> <tr><td colspan="2">73</td><td></td><td></td><td></td><td></td><td>32</td><td>31</td><td>30</td><td></td><td></td><td>28</td><td>26</td><td>25</td><td>24</td><td></td><td></td><td></td><td>20</td><td>19</td><td>17</td></tr> <tr><td colspan="2"></td><td></td><td></td><td></td><td></td><td></td><td></td><td></td><td></td><td>13</td><td>12</td><td>11</td><td>10</td><td>9</td><td>8</td><td></td><td></td><td></td><td></td><td></td><td>2</td><td>1</td></tr> </table>	72	71	70	69	68	67	66	65	64		62	61	60								54	52	51							47	46		44	42	41	40							73						32	31	30			28	26	25	24				20	19	17											13	12	11	10	9	8						2	1
72	71	70	69	68	67	66	65	64		62	61	60								54																																																																								
52	51							47	46		44	42	41	40																																																																														
73						32	31	30			28	26	25	24				20	19	17																																																																								
										13	12	11	10	9	8						2	1																																																																						

<b>QUALITY SYMBOLS</b> = 0 = 0 = 0 = 0 = 0 = 0 = 0 = 0 = 0	THIS DRAWING CONTAINS INFORMATION THAT IS PROPRIETARY TO MOLEX ELECTRONIC TECHNOLOGIES, LLC AND SHOULD NOT BE USED WITHOUT WRITTEN PERMISSION											
	EC NO: 115716	2017/04/12	2017/04/21	GENERAL TOLERANCES (UNLESS SPECIFIED)				DIMENSION UNITS	SCALE	 MX123 66/73/80CKT HRNS CONN ASSY		
	DRWN: TYE			ANGULAR TOL ± °				MM	1:1			
	CHKD:			4 PLACES ±				DRWN BY	DATE	SERIES: 34566 MATERIAL NUMBER: SEE BOM TABLE CUSTOMER: GENERAL MARKET		
	REV APPR: JDENG02			3 PLACES ±				SKRAJENDRANA	2011/02/14			
				2 PLACES ±				CHKD BY	DATE	PRODUCT CUSTOMER DRAWING		
				1 PLACE ±				MVANSLAMBROU	2011/02/14			
				0 PLACES ±				APPR BY	DATE	DOCUMENT NUMBER: SD-34566-001 DOC TYPE: PSD DOC PART: 000 SHEET NUMBER: 49 OF 93		
				DRAFT WHERE APPLICABLE MUST REMAIN WITHIN DIMENSIONS				DRAWING SIZE: D	THIRD ANGLE PROJECTION			

STATUS	GM PART #	MATERIAL #	WIRE DRESS OPTION	KEY OPTION	COLOR (TPA)	NUMBERS INDICATE CAVITIES OPEN FOR CIRCUITS																																																																																								
AVAILABLE	NOT APPLICABLE	34566-4283	0	A	BLACK	<table border="1"> <tr><td></td><td></td><td>70</td><td>69</td><td></td><td></td><td></td><td></td><td></td><td></td><td>63</td><td>62</td><td>61</td><td>60</td><td></td><td></td><td>57</td><td>56</td><td>55</td><td>54</td><td>53</td></tr> <tr><td>52</td><td>51</td><td></td><td>49</td><td></td><td></td><td></td><td></td><td></td><td>44</td><td>43</td><td>42</td><td>41</td><td></td><td></td><td></td><td>37</td><td>36</td><td></td><td>34</td><td></td></tr> <tr><td colspan="2"></td><td colspan="2">73</td><td></td><td></td><td>32</td><td></td><td>29</td><td>28</td><td>27</td><td>26</td><td></td><td></td><td>23</td><td></td><td></td><td></td><td>19</td><td>18</td><td></td></tr> <tr><td colspan="2"></td><td colspan="2"></td><td>16</td><td>15</td><td></td><td></td><td>13</td><td>12</td><td>11</td><td>10</td><td></td><td>8</td><td></td><td></td><td></td><td></td><td>3</td><td></td><td></td></tr> </table>			70	69							63	62	61	60			57	56	55	54	53	52	51		49						44	43	42	41				37	36		34				73				32		29	28	27	26			23				19	18						16	15			13	12	11	10		8					3						
		70	69							63	62	61	60			57	56	55	54	53																																																																										
52	51		49						44	43	42	41				37	36		34																																																																											
		73				32		29	28	27	26			23				19	18																																																																											
				16	15			13	12	11	10		8					3																																																																												
AVAILABLE	NOT APPLICABLE	34566-4293	0	B	ST GRY	<table border="1"> <tr><td></td><td></td><td></td><td></td><td></td><td></td><td>67</td><td>66</td><td></td><td></td><td>63</td><td></td><td></td><td></td><td>59</td><td>58</td><td>57</td><td>56</td><td>55</td><td></td><td>53</td></tr> <tr><td></td><td></td><td>50</td><td>49</td><td>48</td><td></td><td></td><td></td><td>45</td><td>43</td><td></td><td></td><td></td><td></td><td>39</td><td>38</td><td>37</td><td>36</td><td>35</td><td>34</td><td>33</td></tr> <tr><td colspan="2"></td><td colspan="2">73</td><td></td><td></td><td></td><td></td><td>29</td><td>27</td><td></td><td></td><td></td><td></td><td>23</td><td>22</td><td>21</td><td></td><td></td><td>18</td><td></td></tr> <tr><td colspan="2"></td><td colspan="2"></td><td>16</td><td>15</td><td>14</td><td>13</td><td></td><td></td><td></td><td></td><td></td><td>8</td><td>7</td><td>6</td><td>5</td><td>4</td><td>3</td><td></td><td></td></tr> </table>							67	66			63				59	58	57	56	55		53			50	49	48				45	43					39	38	37	36	35	34	33			73						29	27					23	22	21			18						16	15	14	13						8	7	6	5	4	3						
						67	66			63				59	58	57	56	55		53																																																																										
		50	49	48				45	43					39	38	37	36	35	34	33																																																																										
		73						29	27					23	22	21			18																																																																											
				16	15	14	13						8	7	6	5	4	3																																																																												
AVAILABLE	NOT APPLICABLE	34566-4313	0	B	ST GRY	<table border="1"> <tr><td></td><td></td><td></td><td></td><td></td><td></td><td></td><td></td><td></td><td></td><td>63</td><td></td><td></td><td></td><td>59</td><td>58</td><td>57</td><td>56</td><td>55</td><td></td><td>53</td></tr> <tr><td></td><td></td><td>50</td><td>49</td><td>48</td><td></td><td>46</td><td></td><td></td><td></td><td>43</td><td></td><td></td><td></td><td>39</td><td>38</td><td>37</td><td>36</td><td>35</td><td>34</td><td>33</td></tr> <tr><td colspan="2"></td><td colspan="2">73</td><td></td><td></td><td></td><td></td><td>29</td><td>27</td><td></td><td></td><td></td><td></td><td>23</td><td>22</td><td>21</td><td></td><td></td><td>18</td><td></td></tr> <tr><td colspan="2"></td><td colspan="2"></td><td>16</td><td>15</td><td>14</td><td>13</td><td></td><td></td><td></td><td></td><td></td><td>7</td><td>6</td><td>5</td><td>4</td><td>3</td><td></td><td></td><td></td></tr> </table>											63				59	58	57	56	55		53			50	49	48		46				43				39	38	37	36	35	34	33			73						29	27					23	22	21			18						16	15	14	13						7	6	5	4	3							
										63				59	58	57	56	55		53																																																																										
		50	49	48		46				43				39	38	37	36	35	34	33																																																																										
		73						29	27					23	22	21			18																																																																											
				16	15	14	13						7	6	5	4	3																																																																													
AVAILABLE	NOT APPLICABLE	34566-4323	0	B	ST GRY	<table border="1"> <tr><td>72</td><td></td><td>70</td><td></td><td>68</td><td></td><td>66</td><td></td><td></td><td></td><td></td><td></td><td></td><td>60</td><td>59</td><td></td><td></td><td></td><td></td><td>55</td><td>54</td><td>53</td></tr> <tr><td>52</td><td></td><td>50</td><td></td><td>48</td><td></td><td>46</td><td></td><td></td><td></td><td></td><td></td><td></td><td>40</td><td>39</td><td></td><td></td><td></td><td></td><td>35</td><td>34</td><td>33</td></tr> <tr><td colspan="2"></td><td colspan="2">73</td><td></td><td></td><td>32</td><td>31</td><td>30</td><td>29</td><td>28</td><td>27</td><td>26</td><td>25</td><td>24</td><td></td><td></td><td></td><td></td><td>19</td><td>18</td><td>17</td></tr> <tr><td colspan="2"></td><td colspan="2"></td><td>16</td><td></td><td></td><td></td><td></td><td></td><td></td><td></td><td>10</td><td>8</td><td>7</td><td></td><td></td><td></td><td></td><td>2</td><td>1</td><td></td></tr> </table>	72		70		68		66							60	59					55	54	53	52		50		48		46							40	39					35	34	33			73				32	31	30	29	28	27	26	25	24					19	18	17					16								10	8	7					2	1	
72		70		68		66							60	59					55	54	53																																																																									
52		50		48		46							40	39					35	34	33																																																																									
		73				32	31	30	29	28	27	26	25	24					19	18	17																																																																									
				16								10	8	7					2	1																																																																										
AVAILABLE	NOT APPLICABLE	34566-4333	0	A	BLACK	<table border="1"> <tr><td>72</td><td>71</td><td>70</td><td>69</td><td></td><td>67</td><td></td><td></td><td>64</td><td>63</td><td></td><td></td><td></td><td>60</td><td>59</td><td></td><td></td><td>56</td><td>55</td><td>54</td><td>53</td></tr> <tr><td>52</td><td>51</td><td></td><td>49</td><td></td><td>47</td><td></td><td>45</td><td>44</td><td>43</td><td>42</td><td>41</td><td></td><td></td><td></td><td>38</td><td></td><td>36</td><td></td><td>34</td><td></td></tr> <tr><td colspan="2"></td><td colspan="2">73</td><td></td><td></td><td>32</td><td></td><td>30</td><td>28</td><td>26</td><td>25</td><td></td><td></td><td>23</td><td></td><td></td><td></td><td></td><td>19</td><td>18</td><td></td></tr> <tr><td colspan="2"></td><td colspan="2"></td><td>16</td><td>15</td><td></td><td></td><td>12</td><td>10</td><td>9</td><td></td><td></td><td></td><td></td><td></td><td></td><td></td><td></td><td>3</td><td></td><td></td></tr> </table>	72	71	70	69		67			64	63				60	59			56	55	54	53	52	51		49		47		45	44	43	42	41				38		36		34				73				32		30	28	26	25			23					19	18						16	15			12	10	9									3				
72	71	70	69		67			64	63				60	59			56	55	54	53																																																																										
52	51		49		47		45	44	43	42	41				38		36		34																																																																											
		73				32		30	28	26	25			23					19	18																																																																										
				16	15			12	10	9									3																																																																											
AVAILABLE	NOT APPLICABLE	34566-4343	0	A	BLACK	<table border="1"> <tr><td>72</td><td>71</td><td>70</td><td>69</td><td></td><td></td><td></td><td></td><td>64</td><td>63</td><td></td><td></td><td></td><td>60</td><td>59</td><td>58</td><td></td><td>56</td><td>55</td><td>54</td><td>53</td></tr> <tr><td>52</td><td>51</td><td></td><td>49</td><td></td><td>47</td><td></td><td>45</td><td>44</td><td>43</td><td>42</td><td>41</td><td></td><td></td><td></td><td>38</td><td></td><td>36</td><td></td><td>34</td><td></td></tr> <tr><td colspan="2"></td><td colspan="2">73</td><td></td><td></td><td>32</td><td></td><td>30</td><td>28</td><td>26</td><td>25</td><td></td><td></td><td></td><td></td><td></td><td></td><td></td><td>19</td><td>18</td><td></td></tr> <tr><td colspan="2"></td><td colspan="2"></td><td>16</td><td>15</td><td></td><td></td><td>12</td><td>10</td><td>9</td><td></td><td></td><td></td><td></td><td></td><td></td><td></td><td></td><td>3</td><td></td><td></td></tr> </table>	72	71	70	69					64	63				60	59	58		56	55	54	53	52	51		49		47		45	44	43	42	41				38		36		34				73				32		30	28	26	25								19	18						16	15			12	10	9									3				
72	71	70	69					64	63				60	59	58		56	55	54	53																																																																										
52	51		49		47		45	44	43	42	41				38		36		34																																																																											
		73				32		30	28	26	25								19	18																																																																										
				16	15			12	10	9									3																																																																											
AVAILABLE	NOT APPLICABLE	34566-4353	0	C	BLUE	<table border="1"> <tr><td>72</td><td></td><td>70</td><td></td><td>68</td><td></td><td></td><td></td><td></td><td></td><td>63</td><td>62</td><td></td><td></td><td>59</td><td>58</td><td>57</td><td></td><td></td><td></td><td>53</td></tr> <tr><td>52</td><td>51</td><td></td><td></td><td>48</td><td>47</td><td></td><td></td><td>44</td><td>42</td><td>40</td><td>39</td><td></td><td></td><td></td><td></td><td></td><td></td><td></td><td>34</td><td>33</td></tr> <tr><td colspan="2"></td><td colspan="2">73</td><td></td><td></td><td>32</td><td></td><td>30</td><td></td><td>26</td><td>25</td><td></td><td></td><td>23</td><td>22</td><td>21</td><td>20</td><td></td><td></td><td>17</td></tr> <tr><td colspan="2"></td><td colspan="2"></td><td>15</td><td>14</td><td>13</td><td></td><td></td><td></td><td></td><td></td><td></td><td></td><td>7</td><td>6</td><td>5</td><td>4</td><td></td><td></td><td>1</td></tr> </table>	72		70		68						63	62			59	58	57				53	52	51			48	47			44	42	40	39								34	33			73				32		30		26	25			23	22	21	20			17					15	14	13								7	6	5	4			1				
72		70		68						63	62			59	58	57				53																																																																										
52	51			48	47			44	42	40	39								34	33																																																																										
		73				32		30		26	25			23	22	21	20			17																																																																										
				15	14	13								7	6	5	4			1																																																																										
AVAILABLE	NOT APPLICABLE	34566-4363	0	A	BLACK	<table border="1"> <tr><td></td><td></td><td>70</td><td>69</td><td></td><td></td><td></td><td></td><td></td><td></td><td>63</td><td>62</td><td>61</td><td>60</td><td></td><td></td><td>58</td><td>57</td><td>56</td><td>55</td><td>54</td><td>53</td></tr> <tr><td>52</td><td>51</td><td></td><td>49</td><td></td><td></td><td></td><td></td><td></td><td>44</td><td>43</td><td>42</td><td>41</td><td></td><td></td><td></td><td>37</td><td>36</td><td></td><td>34</td><td></td></tr> <tr><td colspan="2"></td><td colspan="2">73</td><td></td><td></td><td>32</td><td></td><td>29</td><td>28</td><td>27</td><td>26</td><td></td><td></td><td>23</td><td></td><td></td><td></td><td></td><td>19</td><td>18</td><td></td></tr> <tr><td colspan="2"></td><td colspan="2"></td><td>16</td><td>15</td><td></td><td></td><td>13</td><td>12</td><td>11</td><td>10</td><td></td><td>8</td><td></td><td></td><td></td><td></td><td></td><td>3</td><td></td><td></td></tr> </table>			70	69							63	62	61	60			58	57	56	55	54	53	52	51		49						44	43	42	41				37	36		34				73				32		29	28	27	26			23					19	18						16	15			13	12	11	10		8						3			
		70	69							63	62	61	60			58	57	56	55	54	53																																																																									
52	51		49						44	43	42	41				37	36		34																																																																											
		73				32		29	28	27	26			23					19	18																																																																										
				16	15			13	12	11	10		8						3																																																																											
AVAILABLE	NOT APPLICABLE	34566-4373	0	A	BLACK	<table border="1"> <tr><td></td><td></td><td>70</td><td>69</td><td></td><td></td><td></td><td></td><td></td><td></td><td>63</td><td></td><td></td><td></td><td></td><td></td><td>58</td><td></td><td>56</td><td></td><td>54</td><td></td></tr> <tr><td>52</td><td>51</td><td></td><td>49</td><td></td><td>47</td><td></td><td></td><td>44</td><td>43</td><td>42</td><td>41</td><td>40</td><td></td><td></td><td></td><td></td><td></td><td>36</td><td></td><td>34</td><td></td></tr> <tr><td colspan="2"></td><td colspan="2">73</td><td></td><td></td><td>32</td><td></td><td>28</td><td>26</td><td></td><td></td><td></td><td></td><td></td><td></td><td></td><td></td><td></td><td>19</td><td>18</td><td>17</td></tr> <tr><td colspan="2"></td><td colspan="2"></td><td>16</td><td></td><td></td><td></td><td>12</td><td>10</td><td></td><td></td><td></td><td></td><td></td><td></td><td></td><td></td><td></td><td>3</td><td>2</td><td>1</td></tr> </table>			70	69							63						58		56		54		52	51		49		47			44	43	42	41	40						36		34				73				32		28	26										19	18	17					16				12	10										3	2	1
		70	69							63						58		56		54																																																																										
52	51		49		47			44	43	42	41	40						36		34																																																																										
		73				32		28	26										19	18	17																																																																									
				16				12	10										3	2	1																																																																									

<b>QUALITY SYMBOLS</b> = 0 = 0 = 0 = 0 = 0 = 0 = 0 = 0 = 0	THIS DRAWING CONTAINS INFORMATION THAT IS PROPRIETARY TO MOLEX ELECTRONIC TECHNOLOGIES, LLC AND SHOULD NOT BE USED WITHOUT WRITTEN PERMISSION											
	EC NO: 115716	DRWN: TYE	CHKD: JDENG02	REV: APPR: JDENG02	2017/04/12	2017/04/21	GENERAL TOLERANCES (UNLESS SPECIFIED)		DIMENSION UNITS	SCALE	 MX123 66/73/80CKT HRNS CONN ASSY PRODUCT CUSTOMER DRAWING	
	4 PLACES ±		3 PLACES ±		2 PLACES ±		1 PLACE ±		0 PLACES ±			
	DRAFT WHERE APPLICABLE MUST REMAIN WITHIN DIMENSIONS		D		THIRD ANGLE PROJECTION		DRAWING SIZE		SERIES			
	MATERIAL NUMBER		CUSTOMER		DOCUMENT NUMBER		DOC TYPE		DOC PART			
	SHEET NUMBER		GENERAL MARKET		SD-34566-001		PSD		000			
	G50										50 OF 93	

STATUS	GM PART #	MATERIAL #	WIRE DRESS OPTION	KEY OPTION	COLOR (TPA)	NUMBERS INDICATE CAVITIES OPEN FOR CIRCUITS																																																																																
AVAILABLE	NOT APPLICABLE	34566-4383	0	H	ST GRY	<table border="1"> <tr><td>79</td><td></td><td></td><td></td><td></td><td>74</td><td>73</td><td>72</td><td>71</td><td></td><td>69</td><td>68</td><td>67</td><td></td><td></td><td>64</td><td>62</td><td>61</td></tr> <tr><td>59</td><td></td><td></td><td></td><td></td><td>54</td><td></td><td>52</td><td></td><td></td><td>49</td><td>48</td><td>47</td><td></td><td></td><td></td><td>42</td><td>41</td></tr> <tr><td></td><td>38</td><td></td><td></td><td></td><td>33</td><td></td><td></td><td></td><td></td><td>29</td><td></td><td>27</td><td></td><td>25</td><td></td><td></td><td></td></tr> <tr><td></td><td>18</td><td></td><td></td><td>15</td><td>14</td><td></td><td></td><td>11</td><td>10</td><td>9</td><td>8</td><td>7</td><td></td><td></td><td></td><td></td><td></td></tr> </table>	79					74	73	72	71		69	68	67			64	62	61	59					54		52			49	48	47				42	41		38				33					29		27		25					18			15	14			11	10	9	8	7													
79					74	73	72	71		69	68	67			64	62	61																																																																					
59					54		52			49	48	47				42	41																																																																					
	38				33					29		27		25																																																																								
	18			15	14			11	10	9	8	7																																																																										
AVAILABLE	NOT APPLICABLE	34566-4393	0	G	BLUE	<table border="1"> <tr><td></td><td>78</td><td>77</td><td></td><td>75</td><td>74</td><td></td><td>72</td><td></td><td>70</td><td>69</td><td></td><td>67</td><td></td><td>65</td><td>64</td><td>63</td><td>62</td></tr> <tr><td>60</td><td>58</td><td>57</td><td></td><td>55</td><td>54</td><td></td><td>52</td><td>51</td><td>50</td><td>49</td><td></td><td>47</td><td></td><td>45</td><td></td><td></td><td></td></tr> <tr><td>40</td><td>38</td><td>37</td><td></td><td></td><td></td><td></td><td>33</td><td>32</td><td>31</td><td></td><td></td><td>27</td><td>26</td><td>25</td><td>24</td><td></td><td></td></tr> <tr><td>20</td><td>18</td><td>17</td><td></td><td></td><td></td><td></td><td></td><td></td><td>10</td><td>9</td><td>8</td><td></td><td>6</td><td>5</td><td></td><td>3</td><td>2</td><td>1</td></tr> </table>		78	77		75	74		72		70	69		67		65	64	63	62	60	58	57		55	54		52	51	50	49		47		45				40	38	37					33	32	31			27	26	25	24			20	18	17							10	9	8		6	5		3	2	1							
	78	77		75	74		72		70	69		67		65	64	63	62																																																																					
60	58	57		55	54		52	51	50	49		47		45																																																																								
40	38	37					33	32	31			27	26	25	24																																																																							
20	18	17							10	9	8		6	5		3	2	1																																																																				
AVAILABLE	NOT APPLICABLE	34566-4413	0	B	ST GRY	<table border="1"> <tr><td></td><td></td><td></td><td></td><td></td><td></td><td></td><td></td><td></td><td>63</td><td></td><td></td><td></td><td>59</td><td>58</td><td>57</td><td>56</td><td>55</td><td>53</td></tr> <tr><td></td><td>50</td><td>49</td><td>48</td><td></td><td>46</td><td></td><td></td><td>43</td><td></td><td></td><td></td><td>39</td><td>38</td><td>37</td><td>36</td><td>35</td><td>34</td><td>33</td></tr> <tr><td></td><td>73</td><td></td><td></td><td></td><td></td><td></td><td></td><td>29</td><td>27</td><td></td><td></td><td>23</td><td>22</td><td>21</td><td></td><td></td><td>18</td><td></td></tr> <tr><td></td><td></td><td></td><td>16</td><td>15</td><td>14</td><td></td><td></td><td></td><td></td><td></td><td></td><td>7</td><td>6</td><td>5</td><td>4</td><td>3</td><td></td><td></td></tr> </table>										63				59	58	57	56	55	53		50	49	48		46			43				39	38	37	36	35	34	33		73							29	27			23	22	21			18					16	15	14							7	6	5	4	3						
									63				59	58	57	56	55	53																																																																				
	50	49	48		46			43				39	38	37	36	35	34	33																																																																				
	73							29	27			23	22	21			18																																																																					
			16	15	14							7	6	5	4	3																																																																						
AVAILABLE	NOT APPLICABLE	34566-4423	9	C	BLUE	<table border="1"> <tr><td>72</td><td>70</td><td></td><td>68</td><td>67</td><td>66</td><td></td><td></td><td>63</td><td>62</td><td></td><td></td><td>59</td><td>57</td><td></td><td></td><td></td><td>53</td></tr> <tr><td>52</td><td>51</td><td></td><td>48</td><td>47</td><td>46</td><td></td><td>44</td><td></td><td>42</td><td></td><td>40</td><td>39</td><td>38</td><td>37</td><td>36</td><td></td><td>34</td><td>33</td></tr> <tr><td></td><td>73</td><td></td><td>32</td><td></td><td>30</td><td></td><td></td><td>27</td><td>26</td><td>25</td><td>24</td><td></td><td>22</td><td>21</td><td></td><td></td><td></td><td></td></tr> <tr><td></td><td></td><td></td><td></td><td>15</td><td>14</td><td></td><td></td><td></td><td>10</td><td>9</td><td>8</td><td></td><td>6</td><td>5</td><td>4</td><td></td><td>2</td><td></td></tr> </table>	72	70		68	67	66			63	62			59	57				53	52	51		48	47	46		44		42		40	39	38	37	36		34	33		73		32		30			27	26	25	24		22	21									15	14				10	9	8		6	5	4		2						
72	70		68	67	66			63	62			59	57				53																																																																					
52	51		48	47	46		44		42		40	39	38	37	36		34	33																																																																				
	73		32		30			27	26	25	24		22	21																																																																								
				15	14				10	9	8		6	5	4		2																																																																					
AVAILABLE	NOT APPLICABLE	34566-4433	9	A	BLACK	<table border="1"> <tr><td></td><td>70</td><td>69</td><td></td><td></td><td></td><td></td><td></td><td>63</td><td>62</td><td>61</td><td>60</td><td></td><td>58</td><td>57</td><td>56</td><td>55</td><td>54</td><td>53</td></tr> <tr><td>52</td><td>51</td><td>50</td><td>49</td><td></td><td></td><td></td><td>44</td><td>43</td><td>42</td><td>41</td><td>40</td><td></td><td></td><td>37</td><td>36</td><td></td><td>34</td><td></td></tr> <tr><td></td><td>73</td><td></td><td></td><td>32</td><td></td><td></td><td>29</td><td>28</td><td>27</td><td>26</td><td></td><td></td><td></td><td></td><td></td><td></td><td>19</td><td>18</td></tr> <tr><td></td><td></td><td></td><td></td><td>16</td><td>15</td><td>14</td><td>13</td><td>12</td><td>11</td><td>10</td><td></td><td></td><td></td><td></td><td></td><td>3</td><td></td><td></td></tr> </table>		70	69						63	62	61	60		58	57	56	55	54	53	52	51	50	49				44	43	42	41	40			37	36		34			73			32			29	28	27	26							19	18					16	15	14	13	12	11	10						3						
	70	69						63	62	61	60		58	57	56	55	54	53																																																																				
52	51	50	49				44	43	42	41	40			37	36		34																																																																					
	73			32			29	28	27	26							19	18																																																																				
				16	15	14	13	12	11	10						3																																																																						
AVAILABLE	NOT APPLICABLE	34566-4443	9	A	BLACK	<table border="1"> <tr><td></td><td></td><td></td><td></td><td>67</td><td>66</td><td></td><td></td><td></td><td></td><td></td><td></td><td></td><td></td><td></td><td></td><td></td><td></td><td></td></tr> <tr><td></td><td></td><td></td><td></td><td>48</td><td>47</td><td></td><td></td><td></td><td></td><td>41</td><td></td><td></td><td></td><td></td><td></td><td></td><td></td><td></td></tr> <tr><td></td><td>73</td><td></td><td>32</td><td>31</td><td>30</td><td>29</td><td></td><td>27</td><td>26</td><td>25</td><td></td><td></td><td>22</td><td>21</td><td></td><td>19</td><td>18</td><td>17</td></tr> <tr><td></td><td></td><td></td><td>16</td><td>15</td><td>14</td><td>13</td><td></td><td>11</td><td>10</td><td>9</td><td>8</td><td>7</td><td>6</td><td>5</td><td>4</td><td>3</td><td></td><td>1</td></tr> </table>					67	66																		48	47					41										73		32	31	30	29		27	26	25			22	21		19	18	17				16	15	14	13		11	10	9	8	7	6	5	4	3		1				
				67	66																																																																																	
				48	47					41																																																																												
	73		32	31	30	29		27	26	25			22	21		19	18	17																																																																				
			16	15	14	13		11	10	9	8	7	6	5	4	3		1																																																																				
AVAILABLE	NOT APPLICABLE	34566-4453	0	A	BLACK	<table border="1"> <tr><td>72</td><td>71</td><td>70</td><td>69</td><td>68</td><td></td><td></td><td>65</td><td>64</td><td>63</td><td>62</td><td>61</td><td>60</td><td>59</td><td>58</td><td>57</td><td>56</td><td>55</td><td>54</td><td>53</td></tr> <tr><td>52</td><td>51</td><td>50</td><td>49</td><td>48</td><td></td><td>46</td><td>45</td><td>44</td><td>43</td><td>42</td><td></td><td>40</td><td>39</td><td>38</td><td>37</td><td>36</td><td>35</td><td>34</td><td>33</td></tr> <tr><td></td><td>73</td><td></td><td></td><td></td><td></td><td></td><td>28</td><td></td><td></td><td></td><td></td><td>24</td><td>23</td><td></td><td></td><td>20</td><td></td><td></td><td></td></tr> <tr><td></td><td></td><td></td><td></td><td></td><td></td><td></td><td></td><td>12</td><td>11</td><td></td><td></td><td></td><td></td><td></td><td></td><td></td><td></td><td>2</td><td>1</td></tr> </table>	72	71	70	69	68			65	64	63	62	61	60	59	58	57	56	55	54	53	52	51	50	49	48		46	45	44	43	42		40	39	38	37	36	35	34	33		73						28					24	23			20												12	11									2	1
72	71	70	69	68			65	64	63	62	61	60	59	58	57	56	55	54	53																																																																			
52	51	50	49	48		46	45	44	43	42		40	39	38	37	36	35	34	33																																																																			
	73						28					24	23			20																																																																						
								12	11									2	1																																																																			
AVAILABLE	NOT APPLICABLE	34566-4463	9	B	ST GRY	<table border="1"> <tr><td></td><td></td><td></td><td></td><td></td><td></td><td></td><td></td><td>63</td><td></td><td></td><td></td><td></td><td></td><td></td><td></td><td></td><td></td><td>53</td></tr> <tr><td></td><td></td><td></td><td>48</td><td>47</td><td></td><td>45</td><td></td><td>43</td><td>42</td><td></td><td></td><td>39</td><td></td><td></td><td></td><td>35</td><td>34</td><td>33</td></tr> <tr><td></td><td>73</td><td></td><td></td><td></td><td></td><td></td><td></td><td></td><td>26</td><td></td><td></td><td>23</td><td>22</td><td></td><td></td><td>19</td><td></td><td></td></tr> <tr><td></td><td></td><td></td><td></td><td></td><td></td><td></td><td></td><td>11</td><td></td><td></td><td></td><td></td><td></td><td></td><td></td><td></td><td></td><td>1</td></tr> </table>									63										53				48	47		45		43	42			39				35	34	33		73								26			23	22			19											11										1				
								63										53																																																																				
			48	47		45		43	42			39				35	34	33																																																																				
	73								26			23	22			19																																																																						
								11										1																																																																				
AVAILABLE	NOT APPLICABLE	34566-4473	0	B	ST GRY	<table border="1"> <tr><td></td><td></td><td></td><td></td><td></td><td></td><td>64</td><td>63</td><td>62</td><td></td><td>59</td><td>58</td><td></td><td></td><td></td><td></td><td></td><td>35</td><td>34</td><td>33</td></tr> <tr><td></td><td></td><td></td><td></td><td>47</td><td>45</td><td></td><td>43</td><td>42</td><td></td><td></td><td>39</td><td></td><td></td><td></td><td></td><td></td><td></td><td></td><td></td></tr> <tr><td></td><td>73</td><td></td><td></td><td></td><td></td><td></td><td></td><td>26</td><td>25</td><td></td><td>23</td><td>22</td><td></td><td></td><td></td><td></td><td>3</td><td></td><td>1</td></tr> </table>							64	63	62		59	58						35	34	33					47	45		43	42			39										73							26	25		23	22					3		1																				
						64	63	62		59	58						35	34	33																																																																			
				47	45		43	42			39																																																																											
	73							26	25		23	22					3		1																																																																			

<b>QUALITY SYMBOLS</b> 	THIS DRAWING CONTAINS INFORMATION THAT IS PROPRIETARY TO MOLEX ELECTRONIC TECHNOLOGIES, LLC AND SHOULD NOT BE USED WITHOUT WRITTEN PERMISSION										
	EC NO: 115716	DRWN: TYE	CHKD: JDENG02	REV: APPR: JDENG02	GENERAL TOLERANCES (UNLESS SPECIFIED)		DIMENSION UNITS	SCALE			
	2017/04/12	2017/04/21			MM	1:1					
					ANGULAR TOL ± °		DRWN BY	DATE	<b>MX123</b> <b>66/73/80CKT HRNS CONN ASSY</b>  <b>PRODUCT CUSTOMER DRAWING</b>		
					4 PLACES ±	SKRAJENDRANA	2011/02/14				
					3 PLACES ±	CHKD BY	DATE				
					2 PLACES ±	MVANSLAMBROU	2011/02/14				
					1 PLACE ±	APPR BY	DATE				
					0 PLACES ±	DRAWING SIZE		THIRD ANGLE PROJECTION	SERIES: 34566    MATERIAL NUMBER: SEE BOM TABLE    CUSTOMER: GENERAL MARKET		
					DRAFT WHERE APPLICABLE MUST REMAIN WITHIN DIMENSIONS		D		DOCUMENT NUMBER: SD-34566-001    DOC TYPE: PSD    DOC PART: 000    SHEET NUMBER: 51 OF 93		
RELEASE STATUS		RELEASE DATE									



STATUS	GM PART #	MATERIAL #	WIRE DRESS OPTION	KEY OPTION	COLOR (TPA)	NUMBERS INDICATE CAVITIES OPEN FOR CIRCUITS																																																																																
AVAILABLE	NOT APPLICABLE	34566-4483	9	C	BLUE	<table border="1"> <tr><td>72</td><td></td><td>70</td><td>68</td><td>67</td><td>66</td><td></td><td></td><td>63</td><td>62</td><td></td><td></td><td>59</td><td>58</td><td>57</td><td>56</td><td>55</td><td></td><td>53</td></tr> <tr><td>52</td><td>51</td><td></td><td>49</td><td>48</td><td>47</td><td>46</td><td></td><td>44</td><td></td><td></td><td></td><td>40</td><td>39</td><td>38</td><td>37</td><td>36</td><td></td><td>34</td><td>33</td></tr> <tr><td colspan="3">73</td><td></td><td>32</td><td></td><td>30</td><td></td><td></td><td>27</td><td>26</td><td>25</td><td>24</td><td>23</td><td>22</td><td>21</td><td>20</td><td>19</td><td>18</td><td>17</td></tr> <tr><td colspan="3"></td><td></td><td></td><td>15</td><td>14</td><td>13</td><td></td><td></td><td>10</td><td>9</td><td>8</td><td>7</td><td>6</td><td>5</td><td>4</td><td>3</td><td>2</td><td>1</td></tr> </table>	72		70	68	67	66			63	62			59	58	57	56	55		53	52	51		49	48	47	46		44				40	39	38	37	36		34	33	73				32		30			27	26	25	24	23	22	21	20	19	18	17						15	14	13			10	9	8	7	6	5	4	3	2	1	
72		70	68	67	66			63	62			59	58	57	56	55		53																																																																				
52	51		49	48	47	46		44				40	39	38	37	36		34	33																																																																			
73				32		30			27	26	25	24	23	22	21	20	19	18	17																																																																			
					15	14	13			10	9	8	7	6	5	4	3	2	1																																																																			
AVAILABLE	NOT APPLICABLE	34566-4493	9	A	BLACK	<table border="1"> <tr><td>72</td><td>71</td><td>70</td><td>69</td><td></td><td>67</td><td></td><td></td><td>64</td><td>63</td><td>62</td><td>61</td><td>60</td><td>59</td><td>58</td><td>57</td><td>56</td><td>55</td><td>54</td><td>53</td></tr> <tr><td>52</td><td>51</td><td>50</td><td>49</td><td>48</td><td>47</td><td></td><td>45</td><td>44</td><td>43</td><td>42</td><td>41</td><td>40</td><td>39</td><td></td><td>37</td><td>36</td><td></td><td>34</td><td></td></tr> <tr><td colspan="3">73</td><td></td><td>32</td><td></td><td>30</td><td>29</td><td>28</td><td>27</td><td>26</td><td></td><td>24</td><td>23</td><td></td><td>21</td><td></td><td>19</td><td>18</td><td>17</td></tr> <tr><td colspan="3"></td><td></td><td></td><td>16</td><td>15</td><td>14</td><td>13</td><td>12</td><td>11</td><td>10</td><td></td><td>8</td><td></td><td>5</td><td></td><td>3</td><td>2</td><td>1</td></tr> </table>	72	71	70	69		67			64	63	62	61	60	59	58	57	56	55	54	53	52	51	50	49	48	47		45	44	43	42	41	40	39		37	36		34		73				32		30	29	28	27	26		24	23		21		19	18	17						16	15	14	13	12	11	10		8		5		3	2	1
72	71	70	69		67			64	63	62	61	60	59	58	57	56	55	54	53																																																																			
52	51	50	49	48	47		45	44	43	42	41	40	39		37	36		34																																																																				
73				32		30	29	28	27	26		24	23		21		19	18	17																																																																			
					16	15	14	13	12	11	10		8		5		3	2	1																																																																			
AVAILABLE	NOT APPLICABLE	34566-4513	9	B	ST GRY	<table border="1"> <tr><td>72</td><td>71</td><td>70</td><td></td><td>68</td><td>67</td><td>66</td><td></td><td></td><td></td><td>62</td><td>61</td><td>60</td><td>59</td><td>58</td><td>57</td><td>56</td><td>55</td><td>54</td><td>53</td></tr> <tr><td>52</td><td>51</td><td>50</td><td></td><td>48</td><td>47</td><td>46</td><td></td><td></td><td></td><td>42</td><td>41</td><td>40</td><td>39</td><td>38</td><td>37</td><td>36</td><td>35</td><td>34</td><td>33</td></tr> <tr><td colspan="3">73</td><td></td><td>32</td><td>31</td><td>30</td><td>29</td><td>28</td><td>27</td><td>26</td><td>25</td><td>24</td><td>23</td><td></td><td></td><td></td><td>19</td><td>18</td><td>17</td></tr> <tr><td colspan="3"></td><td></td><td></td><td>16</td><td>15</td><td>14</td><td>13</td><td></td><td>10</td><td></td><td>8</td><td>7</td><td></td><td></td><td></td><td>3</td><td>2</td><td>1</td></tr> </table>	72	71	70		68	67	66				62	61	60	59	58	57	56	55	54	53	52	51	50		48	47	46				42	41	40	39	38	37	36	35	34	33	73				32	31	30	29	28	27	26	25	24	23				19	18	17						16	15	14	13		10		8	7				3	2	1
72	71	70		68	67	66				62	61	60	59	58	57	56	55	54	53																																																																			
52	51	50		48	47	46				42	41	40	39	38	37	36	35	34	33																																																																			
73				32	31	30	29	28	27	26	25	24	23				19	18	17																																																																			
					16	15	14	13		10		8	7				3	2	1																																																																			
AVAILABLE	NOT APPLICABLE	34566-4523	0	G	BLUE	<table border="1"> <tr><td></td><td></td><td>78</td><td>77</td><td></td><td>75</td><td>74</td><td></td><td>72</td><td></td><td>70</td><td>69</td><td></td><td>67</td><td></td><td>65</td><td>64</td><td>63</td><td>62</td><td></td></tr> <tr><td>60</td><td></td><td>58</td><td>57</td><td></td><td>55</td><td>54</td><td></td><td>52</td><td>51</td><td>50</td><td>49</td><td></td><td>47</td><td></td><td>45</td><td></td><td></td><td></td><td></td></tr> <tr><td>40</td><td></td><td>38</td><td>37</td><td></td><td></td><td></td><td></td><td></td><td>31</td><td></td><td></td><td></td><td>27</td><td>26</td><td>25</td><td>24</td><td></td><td></td><td></td></tr> <tr><td>20</td><td></td><td>18</td><td>17</td><td></td><td></td><td></td><td></td><td></td><td></td><td>10</td><td>9</td><td>8</td><td></td><td>6</td><td>5</td><td></td><td>3</td><td>2</td><td>1</td></tr> </table>			78	77		75	74		72		70	69		67		65	64	63	62		60		58	57		55	54		52	51	50	49		47		45					40		38	37						31				27	26	25	24				20		18	17							10	9	8		6	5		3	2	1
		78	77		75	74		72		70	69		67		65	64	63	62																																																																				
60		58	57		55	54		52	51	50	49		47		45																																																																							
40		38	37						31				27	26	25	24																																																																						
20		18	17							10	9	8		6	5		3	2	1																																																																			
AVAILABLE	NOT APPLICABLE	34566-4533	0	A	BLACK	<table border="1"> <tr><td>72</td><td></td><td></td><td>69</td><td>67</td><td></td><td>65</td><td></td><td>63</td><td></td><td></td><td>60</td><td></td><td></td><td>57</td><td>56</td><td></td><td></td><td></td><td>53</td></tr> <tr><td></td><td></td><td></td><td>49</td><td>47</td><td></td><td>44</td><td>43</td><td></td><td></td><td>40</td><td></td><td></td><td></td><td>37</td><td>36</td><td>35</td><td></td><td></td><td>33</td></tr> <tr><td colspan="3">73</td><td></td><td></td><td>31</td><td>30</td><td>29</td><td>28</td><td></td><td></td><td>24</td><td></td><td></td><td>21</td><td>20</td><td></td><td></td><td></td><td>17</td></tr> <tr><td colspan="3"></td><td></td><td></td><td>16</td><td>15</td><td>14</td><td>13</td><td></td><td>11</td><td>10</td><td></td><td></td><td></td><td>5</td><td>4</td><td>3</td><td>2</td><td>1</td></tr> </table>	72			69	67		65		63			60			57	56				53				49	47		44	43			40				37	36	35			33	73					31	30	29	28			24			21	20				17						16	15	14	13		11	10				5	4	3	2	1
72			69	67		65		63			60			57	56				53																																																																			
			49	47		44	43			40				37	36	35			33																																																																			
73					31	30	29	28			24			21	20				17																																																																			
					16	15	14	13		11	10				5	4	3	2	1																																																																			
AVAILABLE	NOT APPLICABLE	34566-4543	0	B	ST GRY	<table border="1"> <tr><td></td><td></td><td></td><td></td><td>68</td><td>67</td><td></td><td></td><td>64</td><td>63</td><td></td><td></td><td></td><td></td><td>58</td><td>57</td><td></td><td>55</td><td>53</td><td></td></tr> <tr><td></td><td></td><td></td><td></td><td></td><td></td><td>46</td><td>45</td><td></td><td>43</td><td></td><td></td><td></td><td></td><td>38</td><td>37</td><td></td><td>35</td><td></td><td></td></tr> <tr><td colspan="3">73</td><td></td><td></td><td>32</td><td></td><td>30</td><td>29</td><td>28</td><td>27</td><td></td><td></td><td></td><td>22</td><td>21</td><td></td><td>19</td><td></td><td>17</td></tr> <tr><td colspan="3"></td><td></td><td></td><td></td><td></td><td></td><td></td><td>12</td><td></td><td>10</td><td></td><td></td><td></td><td></td><td></td><td></td><td></td><td>1</td></tr> </table>					68	67			64	63					58	57		55	53								46	45		43					38	37		35			73					32		30	29	28	27				22	21		19		17										12		10								1
				68	67			64	63					58	57		55	53																																																																				
						46	45		43					38	37		35																																																																					
73					32		30	29	28	27				22	21		19		17																																																																			
									12		10								1																																																																			
AVAILABLE	NOT APPLICABLE	34566-4553	0	B	ST GRY	<table border="1"> <tr><td></td><td></td><td></td><td></td><td>68</td><td>67</td><td></td><td></td><td>64</td><td>63</td><td></td><td></td><td></td><td></td><td>58</td><td>57</td><td></td><td></td><td></td><td>53</td></tr> <tr><td></td><td></td><td></td><td></td><td></td><td></td><td>46</td><td>45</td><td></td><td>43</td><td></td><td></td><td></td><td></td><td>38</td><td>37</td><td></td><td></td><td></td><td></td></tr> <tr><td colspan="3">73</td><td></td><td></td><td>32</td><td></td><td>30</td><td>29</td><td>28</td><td>27</td><td></td><td></td><td></td><td>22</td><td>21</td><td></td><td></td><td></td><td>17</td></tr> <tr><td colspan="3"></td><td></td><td></td><td></td><td></td><td></td><td></td><td>12</td><td></td><td>10</td><td></td><td></td><td></td><td></td><td></td><td></td><td></td><td></td></tr> </table>					68	67			64	63					58	57				53							46	45		43					38	37					73					32		30	29	28	27				22	21				17										12		10								
				68	67			64	63					58	57				53																																																																			
						46	45		43					38	37																																																																							
73					32		30	29	28	27				22	21				17																																																																			
									12		10																																																																											
AVAILABLE	NOT APPLICABLE	34566-4563	0	B	ST GRY	<table border="1"> <tr><td></td><td></td><td></td><td></td><td>68</td><td>67</td><td></td><td></td><td>64</td><td>63</td><td></td><td></td><td></td><td></td><td>58</td><td></td><td></td><td>55</td><td>53</td><td></td></tr> <tr><td></td><td></td><td></td><td></td><td></td><td></td><td>46</td><td>45</td><td></td><td>43</td><td></td><td></td><td></td><td></td><td>38</td><td></td><td></td><td>35</td><td></td><td></td></tr> <tr><td colspan="3">73</td><td></td><td></td><td>32</td><td></td><td>30</td><td>29</td><td>28</td><td>27</td><td></td><td></td><td></td><td>22</td><td></td><td></td><td>19</td><td></td><td>17</td></tr> <tr><td colspan="3"></td><td></td><td></td><td></td><td></td><td></td><td></td><td>12</td><td></td><td>10</td><td></td><td></td><td></td><td></td><td></td><td></td><td></td><td>1</td></tr> </table>					68	67			64	63					58			55	53								46	45		43					38			35			73					32		30	29	28	27				22			19		17										12		10								1
				68	67			64	63					58			55	53																																																																				
						46	45		43					38			35																																																																					
73					32		30	29	28	27				22			19		17																																																																			
									12		10								1																																																																			
AVAILABLE	NOT APPLICABLE	34566-4573	0	B	ST GRY	<table border="1"> <tr><td></td><td></td><td></td><td></td><td>68</td><td>67</td><td></td><td></td><td>64</td><td>63</td><td></td><td></td><td></td><td></td><td>58</td><td></td><td></td><td></td><td></td><td>53</td></tr> <tr><td></td><td></td><td></td><td></td><td></td><td></td><td>46</td><td>45</td><td></td><td>43</td><td></td><td></td><td></td><td></td><td>38</td><td></td><td></td><td></td><td></td><td></td></tr> <tr><td colspan="3">73</td><td></td><td></td><td>32</td><td></td><td>30</td><td>29</td><td>28</td><td>27</td><td></td><td></td><td></td><td>22</td><td></td><td></td><td></td><td></td><td>17</td></tr> <tr><td colspan="3"></td><td></td><td></td><td></td><td></td><td></td><td></td><td>12</td><td></td><td>10</td><td></td><td></td><td></td><td></td><td></td><td></td><td></td><td></td></tr> </table>					68	67			64	63					58					53							46	45		43					38						73					32		30	29	28	27				22					17										12		10								
				68	67			64	63					58					53																																																																			
						46	45		43					38																																																																								
73					32		30	29	28	27				22					17																																																																			
									12		10																																																																											

<b>QUALITY SYMBOLS</b> = 0 = 0 = 0 = 0 = 0 = 0 = 0 = 0 = 0	THIS DRAWING CONTAINS INFORMATION THAT IS PROPRIETARY TO MOLEX ELECTRONIC TECHNOLOGIES, LLC AND SHOULD NOT BE USED WITHOUT WRITTEN PERMISSION									
	2017/04/12	2017/04/21	GENERAL TOLERANCES (UNLESS SPECIFIED)		DIMENSION UNITS	SCALE				
	EC NO: 115716	DRWN: TYE	CHKD: JDENG02	REV: APPR: JDENG02	MM	1:1				
	ANGULAR TOL ± °				DRWN BY	DATE				
	4 PLACES ±				SKRAJENDRANA	2011/02/14				
	3 PLACES ±				CHKD BY	DATE				
	2 PLACES ±				MVANSLAMBROU	2011/02/14				
	1 PLACE ±				APPR BY	DATE				
	0 PLACES ±									
	DRAFT WHERE APPLICABLE MUST REMAIN WITHIN DIMENSIONS				DRAWING SIZE	THIRD ANGLE PROJECTION				
				D						
SERIES		MATERIAL NUMBER		CUSTOMER						
34566		SEE BOM TABLE		GENERAL MARKET						
DOCUMENT NUMBER			DOC TYPE	DOC PART	SHEET NUMBER					
SD-34566-001			PSD	000	52 OF 93					

STATUS	GM PART #	MATERIAL #	WIRE DRESS OPTION	KEY OPTION	COLOR (TPA)	NUMBERS INDICATE CAVITIES OPEN FOR CIRCUITS																																																																																																																																																		
AVAILABLE	NOT APPLICABLE	34566-4583	0	B	ST GR Y	<table border="1"> <tr><td></td><td></td><td></td><td></td><td>68</td><td>67</td><td></td><td></td><td>64</td><td></td><td></td><td></td><td></td><td></td><td></td><td></td><td></td><td></td><td>58</td><td></td><td></td><td></td><td></td><td></td><td></td><td></td><td></td><td></td><td></td><td></td><td>53</td></tr> <tr><td></td><td></td><td></td><td></td><td></td><td></td><td></td><td></td><td></td><td></td><td>46</td><td>45</td><td></td><td></td><td></td><td></td><td></td><td></td><td></td><td>38</td><td></td><td></td><td></td><td></td><td></td><td></td><td></td><td></td><td></td><td></td><td></td><td>17</td></tr> <tr><td></td><td></td><td></td><td></td><td>73</td><td></td><td></td><td></td><td>32</td><td></td><td>30</td><td>29</td><td>28</td><td>27</td><td></td><td></td><td></td><td></td><td></td><td>22</td><td></td><td></td><td></td><td></td><td></td><td></td><td></td><td></td><td></td><td></td><td></td><td></td><td>1</td></tr> <tr><td></td><td></td><td></td><td></td><td></td><td></td><td></td><td></td><td></td><td></td><td></td><td></td><td>12</td><td>10</td><td></td><td></td><td></td><td></td><td></td><td></td><td></td><td></td><td></td><td></td><td></td><td></td><td></td><td></td><td></td><td></td><td></td><td></td><td></td><td></td></tr> </table>					68	67			64										58												53											46	45								38												17					73				32		30	29	28	27						22													1													12	10																																				
				68	67			64										58												53																																																																																																																										
										46	45								38												17																																																																																																																									
				73				32		30	29	28	27						22													1																																																																																																																								
												12	10																																																																																																																																											
AVAILABLE	NOT APPLICABLE	34566-4593	0	B	ST GR Y	<table border="1"> <tr><td></td><td></td><td></td><td></td><td>68</td><td>67</td><td></td><td></td><td>64</td><td></td><td></td><td></td><td></td><td></td><td></td><td></td><td></td><td></td><td></td><td>58</td><td></td><td></td><td></td><td></td><td></td><td></td><td></td><td></td><td></td><td></td><td></td><td></td><td></td><td></td><td>53</td></tr> <tr><td></td><td></td><td></td><td></td><td></td><td></td><td></td><td></td><td></td><td></td><td>46</td><td>45</td><td></td><td></td><td></td><td></td><td></td><td></td><td></td><td>38</td><td></td><td></td><td></td><td></td><td></td><td></td><td></td><td></td><td></td><td></td><td></td><td></td><td></td><td></td><td></td><td></td></tr> <tr><td></td><td></td><td></td><td></td><td>73</td><td></td><td></td><td></td><td>32</td><td></td><td>30</td><td>29</td><td>28</td><td>27</td><td></td><td></td><td></td><td></td><td></td><td>22</td><td></td><td></td><td></td><td></td><td></td><td></td><td></td><td></td><td></td><td></td><td></td><td></td><td></td><td></td><td></td><td></td><td>17</td></tr> <tr><td></td><td></td><td></td><td></td><td></td><td></td><td></td><td></td><td></td><td></td><td></td><td></td><td>12</td><td>10</td><td></td><td></td><td></td><td></td><td></td><td></td><td></td><td></td><td></td><td></td><td></td><td></td><td></td><td></td><td></td><td></td><td></td><td></td><td></td><td></td><td></td><td></td><td></td></tr> </table>					68	67			64											58															53											46	45								38																					73				32		30	29	28	27						22																	17													12	10																								
				68	67			64											58															53																																																																																																																						
										46	45								38																																																																																																																																					
				73				32		30	29	28	27						22																	17																																																																																																																				
												12	10																																																																																																																																											
AVAILABLE	NOT APPLICABLE	34566-4613	0	A	BLACK	<table border="1"> <tr><td>72</td><td></td><td></td><td>69</td><td></td><td>67</td><td>66</td><td>65</td><td></td><td></td><td>64</td><td>63</td><td></td><td></td><td>60</td><td></td><td></td><td></td><td></td><td>57</td><td>56</td><td></td><td></td><td></td><td></td><td></td><td></td><td></td><td></td><td></td><td></td><td></td><td></td><td>53</td></tr> <tr><td></td><td></td><td></td><td>49</td><td></td><td>47</td><td></td><td></td><td></td><td></td><td>44</td><td>43</td><td>42</td><td></td><td>40</td><td></td><td></td><td></td><td></td><td>37</td><td>36</td><td>35</td><td></td><td></td><td></td><td></td><td></td><td></td><td></td><td></td><td></td><td></td><td></td><td></td><td></td><td>33</td></tr> <tr><td></td><td></td><td></td><td></td><td></td><td>31</td><td>30</td><td>29</td><td>28</td><td>27</td><td>26</td><td>24</td><td></td><td></td><td></td><td></td><td></td><td></td><td></td><td>21</td><td>20</td><td></td><td></td><td></td><td></td><td></td><td></td><td></td><td></td><td></td><td></td><td></td><td></td><td></td><td></td><td>17</td></tr> <tr><td></td><td></td><td></td><td></td><td></td><td>73</td><td></td><td></td><td>16</td><td>15</td><td>14</td><td>13</td><td></td><td></td><td>11</td><td>10</td><td></td><td></td><td></td><td></td><td>5</td><td>4</td><td>3</td><td>2</td><td>1</td><td></td><td></td><td></td><td></td><td></td><td></td><td></td><td></td><td></td><td></td><td></td></tr> </table>	72			69		67	66	65			64	63			60					57	56													53				49		47					44	43	42		40					37	36	35														33						31	30	29	28	27	26	24								21	20															17						73			16	15	14	13			11	10					5	4	3	2	1															
72			69		67	66	65			64	63			60					57	56													53																																																																																																																							
			49		47					44	43	42		40					37	36	35														33																																																																																																																					
					31	30	29	28	27	26	24								21	20															17																																																																																																																					
					73			16	15	14	13			11	10					5	4	3	2	1																																																																																																																																
AVAILABLE	NOT APPLICABLE	34566-4623	0	B	ST GR Y	<table border="1"> <tr><td>72</td><td></td><td>70</td><td></td><td>68</td><td></td><td>66</td><td></td><td></td><td></td><td></td><td></td><td></td><td></td><td>60</td><td>59</td><td></td><td></td><td></td><td></td><td></td><td></td><td></td><td></td><td></td><td></td><td></td><td></td><td></td><td></td><td></td><td></td><td></td><td></td><td>53</td></tr> <tr><td>52</td><td></td><td>50</td><td></td><td>48</td><td></td><td>46</td><td></td><td></td><td></td><td></td><td></td><td></td><td></td><td>40</td><td>39</td><td></td><td></td><td></td><td></td><td></td><td></td><td></td><td></td><td></td><td></td><td></td><td></td><td></td><td></td><td></td><td></td><td></td><td></td><td></td><td>33</td></tr> <tr><td></td><td></td><td></td><td></td><td></td><td></td><td>32</td><td>31</td><td>30</td><td>29</td><td>28</td><td>27</td><td>26</td><td>25</td><td>24</td><td>23</td><td></td><td></td><td></td><td></td><td></td><td></td><td></td><td></td><td></td><td></td><td></td><td></td><td></td><td></td><td></td><td></td><td></td><td></td><td></td><td>17</td></tr> <tr><td></td><td></td><td></td><td></td><td></td><td></td><td>73</td><td></td><td></td><td></td><td>16</td><td></td><td></td><td></td><td></td><td>10</td><td>8</td><td>7</td><td></td><td></td><td></td><td></td><td></td><td></td><td></td><td></td><td></td><td></td><td></td><td></td><td></td><td></td><td></td><td></td><td></td><td>2</td><td>1</td></tr> </table>	72		70		68		66								60	59																			53	52		50		48		46								40	39																				33							32	31	30	29	28	27	26	25	24	23																				17							73				16					10	8	7																		2	1		
72		70		68		66								60	59																			53																																																																																																																						
52		50		48		46								40	39																				33																																																																																																																					
						32	31	30	29	28	27	26	25	24	23																				17																																																																																																																					
						73				16					10	8	7																		2	1																																																																																																																				
AVAILABLE	NOT APPLICABLE	34566-4633	0	A	BLACK	<table border="1"> <tr><td></td><td>71</td><td>70</td><td>69</td><td></td><td></td><td></td><td></td><td></td><td></td><td>64</td><td>63</td><td></td><td></td><td>60</td><td>59</td><td>58</td><td></td><td></td><td></td><td>56</td><td>55</td><td>54</td><td>53</td><td></td><td></td><td></td><td></td><td></td><td></td><td></td><td></td><td></td><td></td><td></td></tr> <tr><td>52</td><td>51</td><td></td><td>49</td><td></td><td>47</td><td></td><td></td><td>45</td><td>44</td><td>43</td><td>42</td><td>41</td><td></td><td></td><td></td><td></td><td></td><td>38</td><td></td><td>36</td><td></td><td>34</td><td></td><td></td><td></td><td></td><td></td><td></td><td></td><td></td><td></td><td></td><td></td><td></td><td></td></tr> <tr><td></td><td></td><td></td><td></td><td></td><td></td><td>32</td><td></td><td>30</td><td></td><td>28</td><td></td><td>26</td><td></td><td></td><td></td><td></td><td></td><td></td><td>21</td><td></td><td></td><td>19</td><td>18</td><td></td><td></td><td></td><td></td><td></td><td></td><td></td><td></td><td></td><td></td><td></td><td></td></tr> <tr><td></td><td></td><td></td><td></td><td></td><td></td><td>73</td><td></td><td>16</td><td>15</td><td></td><td></td><td>12</td><td>10</td><td></td><td></td><td>8</td><td></td><td></td><td></td><td>5</td><td></td><td>3</td><td></td><td></td><td></td><td></td><td></td><td></td><td></td><td></td><td></td><td></td><td></td><td></td><td></td></tr> </table>		71	70	69							64	63			60	59	58				56	55	54	53												52	51		49		47			45	44	43	42	41						38		36		34																				32		30		28		26							21			19	18																			73		16	15			12	10			8				5		3																
	71	70	69							64	63			60	59	58				56	55	54	53																																																																																																																																	
52	51		49		47			45	44	43	42	41						38		36		34																																																																																																																																		
						32		30		28		26							21			19	18																																																																																																																																	
						73		16	15			12	10			8				5		3																																																																																																																																		
AVAILABLE	NOT APPLICABLE	34566-4643	0	B	ST GR Y	<table border="1"> <tr><td>72</td><td></td><td>70</td><td></td><td>68</td><td></td><td>66</td><td></td><td></td><td></td><td></td><td></td><td></td><td></td><td>60</td><td>59</td><td></td><td></td><td></td><td></td><td></td><td></td><td></td><td></td><td></td><td></td><td></td><td></td><td></td><td></td><td></td><td></td><td></td><td></td><td></td><td>53</td></tr> <tr><td>52</td><td></td><td>50</td><td></td><td>48</td><td></td><td>46</td><td></td><td></td><td></td><td></td><td></td><td></td><td></td><td>40</td><td>39</td><td></td><td></td><td></td><td></td><td></td><td></td><td></td><td></td><td></td><td></td><td></td><td></td><td></td><td></td><td></td><td></td><td></td><td></td><td></td><td>33</td></tr> <tr><td></td><td></td><td></td><td></td><td></td><td></td><td>32</td><td>31</td><td>30</td><td>29</td><td>28</td><td>27</td><td>26</td><td>25</td><td>24</td><td>23</td><td></td><td></td><td></td><td></td><td></td><td></td><td></td><td></td><td></td><td></td><td></td><td></td><td></td><td></td><td></td><td></td><td></td><td></td><td></td><td>17</td></tr> <tr><td></td><td></td><td></td><td></td><td></td><td></td><td>73</td><td></td><td></td><td></td><td>16</td><td></td><td></td><td></td><td></td><td>10</td><td>8</td><td>7</td><td></td><td></td><td></td><td></td><td></td><td></td><td></td><td></td><td></td><td></td><td></td><td></td><td></td><td></td><td></td><td></td><td></td><td></td><td>2</td><td>1</td></tr> </table>	72		70		68		66								60	59																				53	52		50		48		46								40	39																				33							32	31	30	29	28	27	26	25	24	23																				17							73				16					10	8	7																			2	1
72		70		68		66								60	59																				53																																																																																																																					
52		50		48		46								40	39																				33																																																																																																																					
						32	31	30	29	28	27	26	25	24	23																				17																																																																																																																					
						73				16					10	8	7																			2	1																																																																																																																			
AVAILABLE	NOT APPLICABLE	34566-4653	0	A	BLACK	<table border="1"> <tr><td></td><td>71</td><td>70</td><td>69</td><td></td><td>67</td><td></td><td></td><td></td><td></td><td>64</td><td>63</td><td></td><td></td><td>60</td><td>59</td><td></td><td></td><td></td><td></td><td>56</td><td>55</td><td>54</td><td>53</td><td></td><td></td><td></td><td></td><td></td><td></td><td></td><td></td><td></td><td></td><td></td></tr> <tr><td>52</td><td>51</td><td></td><td>49</td><td></td><td>47</td><td></td><td></td><td>45</td><td>44</td><td>43</td><td>42</td><td>41</td><td></td><td></td><td></td><td></td><td></td><td>38</td><td></td><td>36</td><td></td><td>34</td><td></td><td></td><td></td><td></td><td></td><td></td><td></td><td></td><td></td><td></td><td></td><td></td><td></td></tr> <tr><td></td><td></td><td></td><td></td><td></td><td></td><td>32</td><td></td><td>30</td><td></td><td>28</td><td></td><td>26</td><td></td><td></td><td></td><td></td><td></td><td></td><td>23</td><td></td><td></td><td>19</td><td>18</td><td></td><td></td><td></td><td></td><td></td><td></td><td></td><td></td><td></td><td></td><td></td><td></td></tr> <tr><td></td><td></td><td></td><td></td><td></td><td></td><td>73</td><td></td><td>16</td><td>15</td><td></td><td></td><td>12</td><td>10</td><td></td><td></td><td></td><td></td><td></td><td></td><td></td><td></td><td>3</td><td></td><td></td><td></td><td></td><td></td><td></td><td></td><td></td><td></td><td></td><td></td><td></td><td></td><td></td></tr> </table>		71	70	69		67					64	63			60	59					56	55	54	53												52	51		49		47			45	44	43	42	41						38		36		34																				32		30		28		26							23			19	18																			73		16	15			12	10									3																
	71	70	69		67					64	63			60	59					56	55	54	53																																																																																																																																	
52	51		49		47			45	44	43	42	41						38		36		34																																																																																																																																		
						32		30		28		26							23			19	18																																																																																																																																	
						73		16	15			12	10									3																																																																																																																																		
AVAILABLE	NOT APPLICABLE	34566-4663	0	A	BLACK	<table border="1"> <tr><td></td><td>71</td><td>70</td><td>69</td><td></td><td></td><td></td><td></td><td></td><td></td><td>64</td><td>63</td><td></td><td></td><td>60</td><td>59</td><td>58</td><td></td><td></td><td></td><td>56</td><td>55</td><td>54</td><td>53</td><td></td><td></td><td></td><td></td><td></td><td></td><td></td><td></td><td></td><td></td><td></td></tr> <tr><td>52</td><td>51</td><td></td><td>49</td><td></td><td>47</td><td></td><td></td><td>45</td><td>44</td><td>43</td><td>42</td><td>41</td><td></td><td></td><td></td><td></td><td></td><td>38</td><td></td><td>36</td><td></td><td>34</td><td></td><td></td><td></td><td></td><td></td><td></td><td></td><td></td><td></td><td></td><td></td><td></td><td></td></tr> <tr><td></td><td></td><td></td><td></td><td></td><td></td><td>32</td><td></td><td>30</td><td></td><td>28</td><td></td><td>26</td><td></td><td></td><td></td><td></td><td></td><td></td><td></td><td></td><td></td><td>19</td><td>18</td><td></td><td></td><td></td><td></td><td></td><td></td><td></td><td></td><td></td><td></td><td></td><td></td><td></td></tr> <tr><td></td><td></td><td></td><td></td><td></td><td></td><td>73</td><td></td><td>16</td><td>15</td><td></td><td></td><td>12</td><td>10</td><td></td><td></td><td></td><td></td><td></td><td></td><td></td><td></td><td>3</td><td></td><td></td><td></td><td></td><td></td><td></td><td></td><td></td><td></td><td></td><td></td><td></td><td></td><td></td></tr> </table>		71	70	69							64	63			60	59	58				56	55	54	53												52	51		49		47			45	44	43	42	41						38		36		34																				32		30		28		26										19	18																				73		16	15			12	10									3															
	71	70	69							64	63			60	59	58				56	55	54	53																																																																																																																																	
52	51		49		47			45	44	43	42	41						38		36		34																																																																																																																																		
						32		30		28		26										19	18																																																																																																																																	
						73		16	15			12	10									3																																																																																																																																		
AVAILABLE	NOT APPLICABLE	34566-4673	0	A	BLACK	<table border="1"> <tr><td></td><td></td><td></td><td></td><td></td><td></td><td>67</td><td>66</td><td></td><td></td><td></td><td></td><td></td><td></td><td></td><td></td><td></td><td></td><td></td><td></td><td></td><td></td><td></td><td></td><td></td><td></td><td></td><td></td><td></td><td></td><td></td><td></td><td></td><td></td><td></td><td></td></tr> <tr><td></td><td></td><td></td><td></td><td></td><td></td><td>47</td><td></td><td></td><td></td><td></td><td></td><td></td><td></td><td>41</td><td></td><td></td><td></td><td></td><td></td><td></td><td></td><td></td><td></td><td></td><td></td><td></td><td></td><td></td><td></td><td></td><td></td><td></td><td></td><td></td><td></td><td></td></tr> <tr><td></td><td></td><td></td><td></td><td></td><td></td><td></td><td></td><td></td><td></td><td>32</td><td>31</td><td>30</td><td>29</td><td></td><td>27</td><td>26</td><td>25</td><td></td><td></td><td>22</td><td>21</td><td></td><td>19</td><td>18</td><td>17</td><td></td><td></td><td></td><td></td><td></td><td></td><td></td><td></td><td></td><td></td></tr> <tr><td></td><td></td><td></td><td></td><td></td><td></td><td></td><td></td><td></td><td></td><td>73</td><td></td><td></td><td></td><td>16</td><td>15</td><td>14</td><td>13</td><td></td><td></td><td>10</td><td>9</td><td>8</td><td>7</td><td>6</td><td>5</td><td>4</td><td>3</td><td></td><td></td><td></td><td></td><td></td><td></td><td></td><td></td><td></td></tr> </table>							67	66																																			47								41																																	32	31	30	29		27	26	25			22	21		19	18	17																					73				16	15	14	13			10	9	8	7	6	5	4	3									
						67	66																																																																																																																																																	
						47								41																																																																																																																																										
										32	31	30	29		27	26	25			22	21		19	18	17																																																																																																																															
										73				16	15	14	13			10	9	8	7	6	5	4	3																																																																																																																													

<b>QUALITY SYMBOLS</b> = 0 = 0 = 0 = 0 = 0 = 0 = 0 = 0 = 0	THIS DRAWING CONTAINS INFORMATION THAT IS PROPRIETARY TO MOLEX ELECTRONIC TECHNOLOGIES, LLC AND SHOULD NOT BE USED WITHOUT WRITTEN PERMISSION									
	2017/04/12	GENERAL TOLERANCES (UNLESS SPECIFIED)		DIMENSION UNITS	SCALE					
	2017/04/21	ANGULAR TOL ± °		MM	1:1					
	EC NO: 115716 DRWN: TYE CHKD: REV APPR: JDENG02	4 PLACES ±	SKRAJENDRANA		2011/02/14					
		3 PLACES ±	CHKD BY		DATE					
		2 PLACES ±	MVANSLAMBROU		2011/02/14					
		1 PLACE ±	APPR BY		DATE					
		0 PLACES ±	DRAFT WHERE APPLICABLE MUST REMAIN WITHIN DIMENSIONS		DRAWING SIZE					
		D	THIRD ANGLE PROJECTION							
		SERIES		MATERIAL NUMBER		CUSTOMER				
	34566		SEE BOM TABLE		GENERAL MARKET					
	DOCUMENT NUMBER		DOC TYPE		DOC PART		SHEET NUMBER			
	SD-34566-001		PSD		000		53 OF 93			

STATUS	GM PART #	MATERIAL #	WIRE DRESS OPTION	KEY OPTION	COLOR (TPA)	NUMBERS INDICATE CAVITIES OPEN FOR CIRCUITS																																																																																				
AVAILABLE	NOT APPLICABLE	34566-4683	9	B	ST GRY	<table border="1"> <tr><td>72</td><td>71</td><td>70</td><td>69</td><td>68</td><td>67</td><td>66</td><td>65</td><td>64</td><td></td><td>62</td><td>61</td><td>60</td><td>59</td><td>58</td><td>57</td><td>56</td><td>55</td><td>54</td></tr> <tr><td>52</td><td>51</td><td>50</td><td>49</td><td></td><td></td><td>46</td><td>44</td><td></td><td></td><td>41</td><td>40</td><td></td><td>38</td><td>37</td><td>36</td><td></td><td></td><td></td></tr> <tr><td colspan="4">73</td><td>32</td><td>31</td><td>30</td><td>29</td><td>28</td><td>27</td><td></td><td>25</td><td>24</td><td></td><td>21</td><td>20</td><td></td><td>18</td><td>17</td></tr> <tr><td colspan="4"></td><td>16</td><td>15</td><td>14</td><td>13</td><td>12</td><td></td><td>10</td><td>9</td><td>8</td><td>7</td><td>6</td><td>5</td><td>4</td><td>3</td><td>2</td></tr> </table>	72	71	70	69	68	67	66	65	64		62	61	60	59	58	57	56	55	54	52	51	50	49			46	44			41	40		38	37	36				73				32	31	30	29	28	27		25	24		21	20		18	17					16	15	14	13	12		10	9	8	7	6	5	4	3	2								
72	71	70	69	68	67	66	65	64		62	61	60	59	58	57	56	55	54																																																																								
52	51	50	49			46	44			41	40		38	37	36																																																																											
73				32	31	30	29	28	27		25	24		21	20		18	17																																																																								
				16	15	14	13	12		10	9	8	7	6	5	4	3	2																																																																								
AVAILABLE	NOT APPLICABLE	34566-4693	0	B	ST GRY	<table border="1"> <tr><td>72</td><td>71</td><td>70</td><td>69</td><td>68</td><td>67</td><td>66</td><td>65</td><td></td><td></td><td>61</td><td>60</td><td></td><td></td><td>57</td><td>56</td><td>55</td><td>54</td></tr> <tr><td>52</td><td>51</td><td>50</td><td>49</td><td>48</td><td></td><td>46</td><td></td><td>44</td><td></td><td>41</td><td>40</td><td></td><td>38</td><td>37</td><td>36</td><td></td><td></td></tr> <tr><td colspan="4">73</td><td>32</td><td>31</td><td>30</td><td>29</td><td>28</td><td>27</td><td></td><td>24</td><td></td><td></td><td>21</td><td>20</td><td>19</td><td>18</td><td>17</td></tr> <tr><td colspan="4"></td><td>16</td><td>15</td><td>14</td><td>13</td><td>12</td><td>11</td><td>10</td><td>9</td><td>8</td><td>7</td><td>6</td><td>5</td><td>4</td><td></td><td>2</td></tr> </table>	72	71	70	69	68	67	66	65			61	60			57	56	55	54	52	51	50	49	48		46		44		41	40		38	37	36			73				32	31	30	29	28	27		24			21	20	19	18	17					16	15	14	13	12	11	10	9	8	7	6	5	4		2										
72	71	70	69	68	67	66	65			61	60			57	56	55	54																																																																									
52	51	50	49	48		46		44		41	40		38	37	36																																																																											
73				32	31	30	29	28	27		24			21	20	19	18	17																																																																								
				16	15	14	13	12	11	10	9	8	7	6	5	4		2																																																																								
AVAILABLE	NOT APPLICABLE	34566-4713	0	A	BLACK	<table border="1"> <tr><td>72</td><td>71</td><td>70</td><td>69</td><td></td><td>67</td><td></td><td></td><td>64</td><td>63</td><td></td><td></td><td>60</td><td>59</td><td></td><td></td><td>56</td><td>55</td><td>54</td><td>53</td></tr> <tr><td>52</td><td>51</td><td></td><td>49</td><td></td><td>47</td><td></td><td></td><td>45</td><td>44</td><td>43</td><td>42</td><td>41</td><td></td><td></td><td></td><td>36</td><td></td><td>34</td><td></td></tr> <tr><td colspan="4">73</td><td>32</td><td></td><td>30</td><td></td><td>28</td><td></td><td>26</td><td></td><td></td><td>23</td><td></td><td></td><td></td><td>19</td><td>18</td><td></td></tr> <tr><td colspan="4"></td><td>16</td><td>15</td><td></td><td></td><td>12</td><td></td><td>10</td><td></td><td></td><td></td><td></td><td></td><td></td><td>3</td><td></td><td></td></tr> </table>	72	71	70	69		67			64	63			60	59			56	55	54	53	52	51		49		47			45	44	43	42	41				36		34		73				32		30		28		26			23				19	18						16	15			12		10							3						
72	71	70	69		67			64	63			60	59			56	55	54	53																																																																							
52	51		49		47			45	44	43	42	41				36		34																																																																								
73				32		30		28		26			23				19	18																																																																								
				16	15			12		10							3																																																																									
AVAILABLE	NOT APPLICABLE	34566-4723	0	A	BLACK	<table border="1"> <tr><td>72</td><td>71</td><td>70</td><td>69</td><td></td><td></td><td></td><td></td><td>64</td><td>63</td><td></td><td></td><td>60</td><td>59</td><td>58</td><td></td><td>56</td><td>55</td><td>54</td><td>53</td></tr> <tr><td>52</td><td>51</td><td></td><td>49</td><td></td><td>47</td><td></td><td></td><td>45</td><td>44</td><td>43</td><td>42</td><td>41</td><td></td><td></td><td></td><td>36</td><td></td><td>34</td><td></td></tr> <tr><td colspan="4">73</td><td>32</td><td></td><td>30</td><td></td><td>28</td><td></td><td>26</td><td></td><td></td><td></td><td></td><td></td><td></td><td>19</td><td>18</td><td></td></tr> <tr><td colspan="4"></td><td>16</td><td>15</td><td></td><td></td><td>12</td><td></td><td>10</td><td></td><td></td><td></td><td></td><td></td><td></td><td>3</td><td></td><td></td></tr> </table>	72	71	70	69					64	63			60	59	58		56	55	54	53	52	51		49		47			45	44	43	42	41				36		34		73				32		30		28		26							19	18						16	15			12		10							3						
72	71	70	69					64	63			60	59	58		56	55	54	53																																																																							
52	51		49		47			45	44	43	42	41				36		34																																																																								
73				32		30		28		26							19	18																																																																								
				16	15			12		10							3																																																																									
AVAILABLE	NOT APPLICABLE	34566-4733	0	A	BLACK	<table border="1"> <tr><td>72</td><td>71</td><td>70</td><td>69</td><td></td><td></td><td></td><td></td><td>64</td><td>63</td><td></td><td></td><td>60</td><td>59</td><td>58</td><td></td><td>56</td><td>55</td><td>54</td><td>53</td></tr> <tr><td>52</td><td>51</td><td></td><td>49</td><td></td><td>47</td><td></td><td></td><td>45</td><td>44</td><td>43</td><td>42</td><td>41</td><td></td><td></td><td></td><td>36</td><td></td><td>34</td><td></td></tr> <tr><td colspan="4">73</td><td>32</td><td></td><td>30</td><td></td><td>28</td><td></td><td>26</td><td></td><td></td><td></td><td>21</td><td></td><td>19</td><td>18</td><td></td><td></td></tr> <tr><td colspan="4"></td><td>16</td><td>15</td><td></td><td></td><td>12</td><td></td><td>10</td><td></td><td>8</td><td></td><td></td><td>5</td><td></td><td>3</td><td></td><td></td></tr> </table>	72	71	70	69					64	63			60	59	58		56	55	54	53	52	51		49		47			45	44	43	42	41				36		34		73				32		30		28		26				21		19	18							16	15			12		10		8			5		3						
72	71	70	69					64	63			60	59	58		56	55	54	53																																																																							
52	51		49		47			45	44	43	42	41				36		34																																																																								
73				32		30		28		26				21		19	18																																																																									
				16	15			12		10		8			5		3																																																																									
AVAILABLE	NOT APPLICABLE	34566-4743	9	A	BLACK	<table border="1"> <tr><td>72</td><td>71</td><td>70</td><td>69</td><td></td><td>67</td><td></td><td></td><td>65</td><td>64</td><td>63</td><td>62</td><td>61</td><td>60</td><td>59</td><td>58</td><td>57</td><td>56</td><td>55</td><td>54</td><td>53</td></tr> <tr><td>52</td><td>51</td><td>50</td><td>49</td><td>48</td><td>47</td><td></td><td></td><td>45</td><td>44</td><td>43</td><td>42</td><td>41</td><td>40</td><td>39</td><td></td><td>37</td><td>36</td><td></td><td>34</td><td></td></tr> <tr><td colspan="4">73</td><td>32</td><td></td><td>30</td><td>29</td><td>28</td><td>27</td><td>26</td><td></td><td>24</td><td>23</td><td></td><td>21</td><td></td><td>19</td><td>18</td><td>17</td><td></td></tr> <tr><td colspan="4"></td><td>16</td><td>15</td><td>14</td><td>13</td><td>12</td><td>11</td><td>10</td><td></td><td>8</td><td></td><td></td><td>5</td><td></td><td>3</td><td>2</td><td>1</td><td></td></tr> </table>	72	71	70	69		67			65	64	63	62	61	60	59	58	57	56	55	54	53	52	51	50	49	48	47			45	44	43	42	41	40	39		37	36		34		73				32		30	29	28	27	26		24	23		21		19	18	17						16	15	14	13	12	11	10		8			5		3	2	1	
72	71	70	69		67			65	64	63	62	61	60	59	58	57	56	55	54	53																																																																						
52	51	50	49	48	47			45	44	43	42	41	40	39		37	36		34																																																																							
73				32		30	29	28	27	26		24	23		21		19	18	17																																																																							
				16	15	14	13	12	11	10		8			5		3	2	1																																																																							
AVAILABLE	NOT APPLICABLE	34566-4753	0	B	ST.GRY	<table border="1"> <tr><td></td><td></td><td></td><td></td><td>68</td><td>67</td><td></td><td></td><td>64</td><td></td><td></td><td></td><td></td><td></td><td></td><td>58</td><td></td><td></td><td></td><td></td></tr> <tr><td></td><td></td><td></td><td></td><td></td><td></td><td>46</td><td>45</td><td></td><td></td><td></td><td></td><td></td><td></td><td></td><td>38</td><td></td><td></td><td></td><td></td></tr> <tr><td colspan="4">73</td><td>32</td><td></td><td>30</td><td>29</td><td>28</td><td>27</td><td></td><td></td><td></td><td></td><td>22</td><td></td><td></td><td></td><td></td><td>17</td></tr> <tr><td colspan="4"></td><td></td><td>15</td><td></td><td>13</td><td></td><td></td><td>10</td><td></td><td></td><td></td><td>6</td><td></td><td></td><td></td><td></td><td>1</td></tr> </table>					68	67			64							58											46	45								38					73				32		30	29	28	27					22					17						15		13			10				6					1				
				68	67			64							58																																																																											
						46	45								38																																																																											
73				32		30	29	28	27					22					17																																																																							
					15		13			10				6					1																																																																							
AVAILABLE	NOT APPLICABLE	34566-4763	0	B	ST.GRY	<table border="1"> <tr><td></td><td></td><td></td><td></td><td>68</td><td>67</td><td></td><td></td><td>64</td><td></td><td></td><td></td><td></td><td></td><td></td><td></td><td></td><td></td><td></td><td></td></tr> <tr><td></td><td></td><td></td><td></td><td></td><td></td><td>46</td><td>45</td><td></td><td></td><td></td><td></td><td></td><td></td><td></td><td></td><td></td><td></td><td></td><td></td></tr> <tr><td colspan="4">73</td><td>32</td><td></td><td>30</td><td>29</td><td>28</td><td>27</td><td></td><td></td><td></td><td></td><td></td><td></td><td></td><td></td><td></td><td>17</td></tr> <tr><td colspan="4"></td><td></td><td>15</td><td></td><td>13</td><td></td><td></td><td>10</td><td></td><td></td><td></td><td>6</td><td></td><td></td><td></td><td></td><td></td></tr> </table>					68	67			64																		46	45													73				32		30	29	28	27										17						15		13			10				6									
				68	67			64																																																																																		
						46	45																																																																																			
73				32		30	29	28	27										17																																																																							
					15		13			10				6																																																																												
AVAILABLE	NOT APPLICABLE	34566-4773	0	B	ST.GRY	<table border="1"> <tr><td></td><td></td><td></td><td></td><td>68</td><td>67</td><td></td><td></td><td>64</td><td></td><td></td><td></td><td></td><td>59</td><td>58</td><td></td><td></td><td></td><td></td><td>54</td></tr> <tr><td></td><td></td><td></td><td></td><td></td><td></td><td>46</td><td>45</td><td></td><td></td><td></td><td></td><td></td><td>39</td><td>38</td><td></td><td></td><td></td><td></td><td></td></tr> <tr><td colspan="4">73</td><td>32</td><td></td><td>30</td><td>29</td><td>28</td><td>27</td><td></td><td></td><td></td><td>23</td><td>22</td><td></td><td></td><td></td><td></td><td>17</td></tr> <tr><td colspan="4"></td><td></td><td>15</td><td></td><td>13</td><td></td><td></td><td>10</td><td></td><td>8</td><td></td><td>6</td><td></td><td></td><td></td><td></td><td>1</td></tr> </table>					68	67			64					59	58					54							46	45						39	38						73				32		30	29	28	27				23	22					17						15		13			10		8		6					1				
				68	67			64					59	58					54																																																																							
						46	45						39	38																																																																												
73				32		30	29	28	27				23	22					17																																																																							
					15		13			10		8		6					1																																																																							

<b>QUALITY SYMBOLS</b> = 0 = 0 = 0 = 0 = 0 = 0 = 0 = 0 = 0	THIS DRAWING CONTAINS INFORMATION THAT IS PROPRIETARY TO MOLEX ELECTRONIC TECHNOLOGIES, LLC AND SHOULD NOT BE USED WITHOUT WRITTEN PERMISSION											
	EC NO: 115716	DRWN: TYE	CHKD:	REV: APPR: JDENG02	2017/04/12	2017/04/21	GENERAL TOLERANCES (UNLESS SPECIFIED)		DIMENSION UNITS	SCALE	 MX123 66/73/80CKT HRNS CONN ASSY PRODUCT CUSTOMER DRAWING	
	4 PLACES ±		ANGULAR TOL ± °		MM	1:1	DRWN BY	DATE	SKRAJENDRANA 2011/02/14			
	3 PLACES ±						CHKD BY	DATE	MVANSLAMBROU 2011/02/14			
	2 PLACES ±						APPR BY	DATE				
	1 PLACE ±											
	0 PLACES ±						DRAFT WHERE APPLICABLE MUST REMAIN WITHIN DIMENSIONS		DRAWING SIZE	THIRD ANGLE PROJECTION	SERIES: 34566 MATERIAL NUMBER: SEE BOM TABLE CUSTOMER: GENERAL MARKET	
	G50				D		DOCUMENT NUMBER: SD-34566-001		DOC TYPE: PSD	DOC PART: 000	SHEET NUMBER: 54 OF 93	


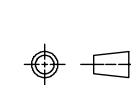
STATUS	GM PART #	MATERIAL #	WIRE DRESS OPTION	KEY OPTION	COLOR (TPA)	NUMBERS INDICATE CAVITIES OPEN FOR CIRCUITS																																																																																								
AVAILABLE	NOT APPLICABLE	34566-4783	0	B	ST.GRY	<table border="1"> <tr><td></td><td></td><td></td><td></td><td>68</td><td>67</td><td></td><td></td><td>64</td><td>63</td><td></td><td></td><td></td><td></td><td>58</td><td></td><td></td><td>55</td><td></td><td></td></tr> <tr><td></td><td></td><td></td><td></td><td></td><td></td><td>46</td><td>45</td><td></td><td>43</td><td></td><td></td><td></td><td></td><td>38</td><td></td><td></td><td>35</td><td></td><td></td></tr> <tr><td></td><td></td><td>73</td><td></td><td>32</td><td>30</td><td>29</td><td>28</td><td>27</td><td></td><td></td><td></td><td></td><td></td><td>22</td><td></td><td></td><td>19</td><td></td><td>17</td></tr> <tr><td></td><td></td><td></td><td></td><td></td><td>15</td><td>13</td><td></td><td></td><td>10</td><td></td><td></td><td></td><td>6</td><td></td><td></td><td></td><td></td><td></td><td>1</td></tr> </table>					68	67			64	63					58			55									46	45		43					38			35					73		32	30	29	28	27						22			19		17						15	13			10				6						1								
				68	67			64	63					58			55																																																																													
						46	45		43					38			35																																																																													
		73		32	30	29	28	27						22			19		17																																																																											
					15	13			10				6						1																																																																											
AVAILABLE	NOT APPLICABLE	34566-4793	0	B	ST.GRY	<table border="1"> <tr><td></td><td></td><td></td><td></td><td>68</td><td>67</td><td></td><td></td><td>64</td><td>63</td><td></td><td></td><td></td><td></td><td>58</td><td></td><td></td><td></td><td></td><td></td></tr> <tr><td></td><td></td><td></td><td></td><td></td><td></td><td>46</td><td>45</td><td></td><td>43</td><td></td><td></td><td></td><td></td><td>38</td><td></td><td></td><td></td><td></td><td></td></tr> <tr><td></td><td></td><td>73</td><td></td><td>32</td><td>30</td><td>29</td><td>28</td><td>27</td><td></td><td></td><td></td><td></td><td></td><td>22</td><td></td><td></td><td></td><td></td><td>17</td></tr> <tr><td></td><td></td><td></td><td></td><td></td><td>15</td><td>13</td><td></td><td></td><td>10</td><td></td><td></td><td></td><td>6</td><td></td><td></td><td></td><td></td><td></td><td></td></tr> </table>					68	67			64	63					58												46	45		43					38								73		32	30	29	28	27						22					17						15	13			10				6														
				68	67			64	63					58																																																																																
						46	45		43					38																																																																																
		73		32	30	29	28	27						22					17																																																																											
					15	13			10				6																																																																																	
AVAILABLE	NOT APPLICABLE	34566-4813	9	B	ST.GRY	<table border="1"> <tr><td></td><td></td><td></td><td></td><td>68</td><td>67</td><td></td><td></td><td>64</td><td></td><td></td><td></td><td></td><td></td><td>59</td><td>58</td><td></td><td></td><td></td><td>54</td></tr> <tr><td></td><td></td><td></td><td></td><td></td><td></td><td>46</td><td>45</td><td></td><td></td><td></td><td></td><td></td><td></td><td>39</td><td>38</td><td></td><td></td><td></td><td></td></tr> <tr><td></td><td></td><td>73</td><td></td><td>32</td><td>30</td><td>29</td><td>28</td><td>27</td><td></td><td></td><td></td><td></td><td></td><td>23</td><td>22</td><td></td><td></td><td></td><td>17</td></tr> <tr><td></td><td></td><td></td><td></td><td></td><td>15</td><td>13</td><td></td><td></td><td>10</td><td>9</td><td>8</td><td></td><td>6</td><td></td><td></td><td></td><td></td><td></td><td>1</td></tr> </table>					68	67			64						59	58				54							46	45							39	38							73		32	30	29	28	27						23	22				17						15	13			10	9	8		6						1								
				68	67			64						59	58				54																																																																											
						46	45							39	38																																																																															
		73		32	30	29	28	27						23	22				17																																																																											
					15	13			10	9	8		6						1																																																																											
AVAILABLE	NOT APPLICABLE	34566-4823	0	C	BLUE	<table border="1"> <tr><td></td><td></td><td></td><td></td><td>68</td><td>67</td><td>66</td><td>65</td><td>64</td><td></td><td></td><td></td><td></td><td></td><td>59</td><td>58</td><td>57</td><td></td><td></td><td>55</td><td>54</td><td>53</td></tr> <tr><td></td><td>51</td><td>50</td><td>49</td><td>48</td><td>47</td><td>46</td><td>45</td><td></td><td>43</td><td>42</td><td>41</td><td>40</td><td>39</td><td>38</td><td>37</td><td></td><td></td><td>35</td><td></td><td>33</td><td></td></tr> <tr><td></td><td></td><td></td><td></td><td>73</td><td>32</td><td>31</td><td>30</td><td></td><td></td><td>26</td><td>24</td><td>23</td><td>22</td><td></td><td></td><td>20</td><td></td><td></td><td></td><td></td><td></td></tr> <tr><td></td><td></td><td></td><td></td><td></td><td>16</td><td></td><td></td><td>13</td><td></td><td>10</td><td>9</td><td>8</td><td>7</td><td>6</td><td>5</td><td>4</td><td>3</td><td>2</td><td></td><td></td><td></td></tr> </table>					68	67	66	65	64						59	58	57			55	54	53		51	50	49	48	47	46	45		43	42	41	40	39	38	37			35		33						73	32	31	30			26	24	23	22			20											16			13		10	9	8	7	6	5	4	3	2			
				68	67	66	65	64						59	58	57			55	54	53																																																																									
	51	50	49	48	47	46	45		43	42	41	40	39	38	37			35		33																																																																										
				73	32	31	30			26	24	23	22			20																																																																														
					16			13		10	9	8	7	6	5	4	3	2																																																																												
AVAILABLE	NOT APPLICABLE	34566-4833	0	C	BLUE	<table border="1"> <tr><td>72</td><td></td><td>70</td><td></td><td>68</td><td>67</td><td>66</td><td></td><td></td><td>63</td><td>62</td><td></td><td></td><td></td><td>59</td><td></td><td>57</td><td></td><td></td><td></td><td></td><td>53</td></tr> <tr><td>52</td><td>51</td><td></td><td></td><td>48</td><td>47</td><td>46</td><td></td><td>44</td><td></td><td>42</td><td></td><td>40</td><td>39</td><td></td><td>37</td><td>36</td><td></td><td></td><td>34</td><td>33</td><td></td></tr> <tr><td></td><td></td><td></td><td></td><td>73</td><td>32</td><td></td><td>30</td><td></td><td></td><td>27</td><td>26</td><td>25</td><td>24</td><td></td><td>22</td><td>21</td><td></td><td></td><td></td><td></td><td></td></tr> <tr><td></td><td></td><td></td><td></td><td></td><td></td><td>15</td><td>14</td><td></td><td></td><td>10</td><td>9</td><td>8</td><td></td><td>6</td><td>5</td><td>4</td><td></td><td></td><td></td><td></td><td>2</td></tr> </table>	72		70		68	67	66			63	62				59		57					53	52	51			48	47	46		44		42		40	39		37	36			34	33						73	32		30			27	26	25	24		22	21												15	14			10	9	8		6	5	4					2
72		70		68	67	66			63	62				59		57					53																																																																									
52	51			48	47	46		44		42		40	39		37	36			34	33																																																																										
				73	32		30			27	26	25	24		22	21																																																																														
						15	14			10	9	8		6	5	4					2																																																																									
AVAILABLE	NOT APPLICABLE	34566-4843	0	C	BLUE	<table border="1"> <tr><td>72</td><td></td><td>70</td><td></td><td>68</td><td>67</td><td>66</td><td></td><td></td><td>63</td><td>62</td><td></td><td></td><td></td><td>59</td><td></td><td>57</td><td></td><td></td><td></td><td></td><td>53</td></tr> <tr><td>52</td><td>51</td><td></td><td></td><td>48</td><td>47</td><td>46</td><td></td><td>44</td><td></td><td>42</td><td></td><td>40</td><td>39</td><td></td><td>37</td><td>36</td><td></td><td></td><td>34</td><td>33</td><td></td></tr> <tr><td></td><td></td><td></td><td></td><td>73</td><td>32</td><td></td><td>30</td><td></td><td></td><td>27</td><td>26</td><td>25</td><td>24</td><td></td><td>22</td><td>21</td><td></td><td></td><td></td><td></td><td></td></tr> <tr><td></td><td></td><td></td><td></td><td></td><td></td><td>15</td><td>14</td><td></td><td></td><td>10</td><td>9</td><td>8</td><td></td><td>6</td><td>5</td><td>4</td><td></td><td></td><td></td><td></td><td>2</td></tr> </table>	72		70		68	67	66			63	62				59		57					53	52	51			48	47	46		44		42		40	39		37	36			34	33						73	32		30			27	26	25	24		22	21												15	14			10	9	8		6	5	4					2
72		70		68	67	66			63	62				59		57					53																																																																									
52	51			48	47	46		44		42		40	39		37	36			34	33																																																																										
				73	32		30			27	26	25	24		22	21																																																																														
						15	14			10	9	8		6	5	4					2																																																																									
AVAILABLE	NOT APPLICABLE	34566-4853	0	C	BLUE	<table border="1"> <tr><td>72</td><td></td><td>70</td><td></td><td>68</td><td></td><td>66</td><td></td><td></td><td>63</td><td>62</td><td></td><td></td><td></td><td>59</td><td></td><td>57</td><td>56</td><td>55</td><td></td><td></td><td>53</td></tr> <tr><td>52</td><td>51</td><td></td><td></td><td>48</td><td>47</td><td>46</td><td></td><td>44</td><td></td><td>42</td><td></td><td>40</td><td>39</td><td></td><td>37</td><td>36</td><td></td><td></td><td>34</td><td>33</td><td></td></tr> <tr><td></td><td></td><td></td><td></td><td>73</td><td>32</td><td></td><td>30</td><td></td><td></td><td>27</td><td>26</td><td>25</td><td>24</td><td></td><td>22</td><td>21</td><td></td><td></td><td>19</td><td>18</td><td></td></tr> <tr><td></td><td></td><td></td><td></td><td></td><td></td><td>15</td><td>14</td><td></td><td></td><td>10</td><td>9</td><td>8</td><td></td><td>6</td><td>5</td><td>4</td><td>3</td><td>2</td><td></td><td></td><td></td></tr> </table>	72		70		68		66			63	62				59		57	56	55			53	52	51			48	47	46		44		42		40	39		37	36			34	33						73	32		30			27	26	25	24		22	21			19	18								15	14			10	9	8		6	5	4	3	2			
72		70		68		66			63	62				59		57	56	55			53																																																																									
52	51			48	47	46		44		42		40	39		37	36			34	33																																																																										
				73	32		30			27	26	25	24		22	21			19	18																																																																										
						15	14			10	9	8		6	5	4	3	2																																																																												
AVAILABLE	NOT APPLICABLE	34566-4863	0	C	BLUE	<table border="1"> <tr><td>72</td><td></td><td>70</td><td></td><td>68</td><td></td><td>66</td><td></td><td></td><td>63</td><td>62</td><td></td><td></td><td></td><td>59</td><td></td><td>57</td><td></td><td></td><td></td><td></td><td>53</td></tr> <tr><td>52</td><td>51</td><td></td><td></td><td>48</td><td>47</td><td>46</td><td></td><td>44</td><td></td><td>42</td><td></td><td>40</td><td>39</td><td></td><td>38</td><td>37</td><td>36</td><td></td><td></td><td>34</td><td>33</td></tr> <tr><td></td><td></td><td></td><td></td><td>73</td><td>32</td><td></td><td>30</td><td></td><td></td><td>27</td><td>26</td><td>25</td><td>24</td><td></td><td>22</td><td>21</td><td></td><td></td><td></td><td></td><td></td></tr> <tr><td></td><td></td><td></td><td></td><td></td><td></td><td>15</td><td>14</td><td></td><td></td><td>10</td><td>9</td><td>8</td><td></td><td>6</td><td>5</td><td>4</td><td></td><td></td><td></td><td></td><td>2</td></tr> </table>	72		70		68		66			63	62				59		57					53	52	51			48	47	46		44		42		40	39		38	37	36			34	33					73	32		30			27	26	25	24		22	21												15	14			10	9	8		6	5	4					2
72		70		68		66			63	62				59		57					53																																																																									
52	51			48	47	46		44		42		40	39		38	37	36			34	33																																																																									
				73	32		30			27	26	25	24		22	21																																																																														
						15	14			10	9	8		6	5	4					2																																																																									
AVAILABLE	NOT APPLICABLE	34566-4873	0	C	BLUE	<table border="1"> <tr><td>72</td><td></td><td>70</td><td></td><td>68</td><td></td><td>66</td><td></td><td></td><td>63</td><td>62</td><td></td><td></td><td></td><td>59</td><td></td><td>57</td><td></td><td></td><td></td><td></td><td>53</td></tr> <tr><td>52</td><td>51</td><td></td><td></td><td>48</td><td>47</td><td>46</td><td></td><td>44</td><td></td><td>42</td><td></td><td>40</td><td>39</td><td></td><td>37</td><td>36</td><td></td><td></td><td>34</td><td>33</td><td></td></tr> <tr><td></td><td></td><td></td><td></td><td>73</td><td>32</td><td></td><td>30</td><td></td><td></td><td>27</td><td>26</td><td>25</td><td>24</td><td></td><td>22</td><td>21</td><td></td><td></td><td></td><td></td><td></td></tr> <tr><td></td><td></td><td></td><td></td><td></td><td></td><td>15</td><td>14</td><td></td><td></td><td>10</td><td>9</td><td>8</td><td></td><td>6</td><td>5</td><td>4</td><td></td><td></td><td></td><td></td><td>2</td></tr> </table>	72		70		68		66			63	62				59		57					53	52	51			48	47	46		44		42		40	39		37	36			34	33						73	32		30			27	26	25	24		22	21												15	14			10	9	8		6	5	4					2
72		70		68		66			63	62				59		57					53																																																																									
52	51			48	47	46		44		42		40	39		37	36			34	33																																																																										
				73	32		30			27	26	25	24		22	21																																																																														
						15	14			10	9	8		6	5	4					2																																																																									

<b>QUALITY SYMBOLS</b> = 0 = 0 = 0 = 0 = 0 = 0 = 0 = 0 = 0	THIS DRAWING CONTAINS INFORMATION THAT IS PROPRIETARY TO MOLEX ELECTRONIC TECHNOLOGIES, LLC AND SHOULD NOT BE USED WITHOUT WRITTEN PERMISSION									
	2017/04/12	2017/04/21	GENERAL TOLERANCES (UNLESS SPECIFIED)		DIMENSION UNITS	SCALE				
	EC NO: 115716	DRWN: TYE	ANGULAR TOL ± °		MM	1:1				
	CHKD:	JDENG02	4 PLACES ±	SKRAJENDRANA	2011/02/14					
	REV:		3 PLACES ±	CHKD BY	DATE					
			2 PLACES ±	MVANSLAMBROU	2011/02/14					
			1 PLACE ±	APPR BY	DATE					
			0 PLACES ±							
			DRAFT WHERE APPLICABLE MUST REMAIN WITHIN DIMENSIONS		DRAWING SIZE	THIRD ANGLE PROJECTION				
				D						
RELEASE STATUS		RELEASE DATE		SERIES		MATERIAL NUMBER		CUSTOMER		
				34566		SEE BOM TABLE		GENERAL MARKET		
DOCUMENT NUMBER				DOC TYPE		DOC PART		SHEET NUMBER		
SD-34566-001				PSD		000		55 OF 93		

STATUS	GM PART #	MATERIAL #	WIRE DRESS OPTION	KEY OPTION	COLOR (TPA)	NUMBERS INDICATE CAVITIES OPEN FOR CIRCUITS																																																																													
AVAILABLE	NOT APPLICABLE	34566-4883	9	A	BLACK	<table border="1"> <tr><td>72</td><td></td><td>69</td><td>67</td><td>65</td><td>63</td><td></td><td>60</td><td></td><td>57</td><td>56</td><td></td><td>53</td></tr> <tr><td></td><td></td><td>49</td><td>47</td><td>46</td><td>44</td><td>43</td><td></td><td>40</td><td></td><td>37</td><td>36</td><td>35</td><td>33</td></tr> <tr><td></td><td>73</td><td></td><td>31</td><td>30</td><td>29</td><td>28</td><td></td><td>24</td><td></td><td>21</td><td>20</td><td></td><td>17</td></tr> <tr><td></td><td></td><td></td><td>16</td><td>15</td><td>14</td><td>13</td><td></td><td>11</td><td>10</td><td></td><td>5</td><td>4</td><td>3</td><td>2</td><td>1</td></tr> </table>	72		69	67	65	63		60		57	56		53			49	47	46	44	43		40		37	36	35	33		73		31	30	29	28		24		21	20		17				16	15	14	13		11	10		5	4	3	2	1																				
72		69	67	65	63		60		57	56		53																																																																							
		49	47	46	44	43		40		37	36	35	33																																																																						
	73		31	30	29	28		24		21	20		17																																																																						
			16	15	14	13		11	10		5	4	3	2	1																																																																				
AVAILABLE	NOT APPLICABLE	34566-4893	9	B	ST.GRAY	<table border="1"> <tr><td></td><td></td><td>68</td><td>67</td><td></td><td>64</td><td>63</td><td></td><td></td><td>58</td><td></td><td>55</td><td></td><td></td></tr> <tr><td></td><td></td><td></td><td></td><td>46</td><td>45</td><td>43</td><td></td><td></td><td>38</td><td></td><td>35</td><td></td><td></td></tr> <tr><td></td><td>73</td><td></td><td>32</td><td></td><td>30</td><td>29</td><td>28</td><td>27</td><td></td><td>22</td><td></td><td>19</td><td>17</td></tr> <tr><td></td><td></td><td></td><td></td><td>15</td><td></td><td>13</td><td></td><td>10</td><td></td><td></td><td></td><td></td><td></td><td>1</td></tr> </table>			68	67		64	63			58		55							46	45	43			38		35				73		32		30	29	28	27		22		19	17					15		13		10						1																				
		68	67		64	63			58		55																																																																								
				46	45	43			38		35																																																																								
	73		32		30	29	28	27		22		19	17																																																																						
				15		13		10						1																																																																					
AVAILABLE	NOT APPLICABLE	34566-4913	9	B	ST.GRAY	<table border="1"> <tr><td></td><td></td><td>68</td><td>67</td><td></td><td>64</td><td>63</td><td></td><td></td><td>58</td><td>57</td><td>55</td><td>53</td></tr> <tr><td></td><td></td><td></td><td></td><td>46</td><td>45</td><td>43</td><td></td><td></td><td>38</td><td>37</td><td>35</td><td></td></tr> <tr><td></td><td>73</td><td></td><td>32</td><td></td><td>30</td><td>29</td><td>28</td><td>27</td><td></td><td>22</td><td>21</td><td>19</td><td>17</td></tr> <tr><td></td><td></td><td></td><td></td><td></td><td></td><td></td><td>12</td><td>10</td><td></td><td></td><td></td><td></td><td></td><td>1</td></tr> </table>			68	67		64	63			58	57	55	53					46	45	43			38	37	35			73		32		30	29	28	27		22	21	19	17								12	10						1																						
		68	67		64	63			58	57	55	53																																																																							
				46	45	43			38	37	35																																																																								
	73		32		30	29	28	27		22	21	19	17																																																																						
							12	10						1																																																																					
AVAILABLE	NOT APPLICABLE	34566-4923	9	A	BLACK	<table border="1"> <tr><td>72</td><td></td><td>69</td><td>67</td><td>65</td><td>63</td><td></td><td>60</td><td></td><td>57</td><td>56</td><td></td><td>53</td></tr> <tr><td></td><td></td><td>49</td><td>47</td><td></td><td>44</td><td>43</td><td></td><td>40</td><td></td><td>37</td><td>36</td><td>35</td><td>33</td></tr> <tr><td></td><td>73</td><td></td><td>31</td><td>30</td><td>29</td><td>28</td><td></td><td>24</td><td></td><td>21</td><td>20</td><td></td><td>17</td></tr> <tr><td></td><td></td><td></td><td>16</td><td>15</td><td>14</td><td>13</td><td></td><td>11</td><td>10</td><td></td><td>5</td><td>4</td><td>3</td><td>2</td><td>1</td></tr> </table>	72		69	67	65	63		60		57	56		53			49	47		44	43		40		37	36	35	33		73		31	30	29	28		24		21	20		17				16	15	14	13		11	10		5	4	3	2	1																				
72		69	67	65	63		60		57	56		53																																																																							
		49	47		44	43		40		37	36	35	33																																																																						
	73		31	30	29	28		24		21	20		17																																																																						
			16	15	14	13		11	10		5	4	3	2	1																																																																				
AVAILABLE	NOT APPLICABLE	34566-4933	0	C	BLUE	<table border="1"> <tr><td>72</td><td></td><td>70</td><td>68</td><td>67</td><td>66</td><td></td><td>63</td><td>62</td><td></td><td>59</td><td>57</td><td></td><td>53</td></tr> <tr><td>52</td><td>51</td><td></td><td>48</td><td>47</td><td>46</td><td></td><td>44</td><td></td><td></td><td>40</td><td>39</td><td>37</td><td>36</td><td>35</td><td>34</td><td>33</td></tr> <tr><td></td><td>73</td><td></td><td>32</td><td></td><td>30</td><td></td><td>27</td><td>26</td><td>25</td><td>24</td><td>22</td><td>21</td><td></td><td></td><td></td><td></td></tr> <tr><td></td><td></td><td></td><td></td><td>15</td><td>14</td><td></td><td></td><td>10</td><td>9</td><td>8</td><td>6</td><td>5</td><td>4</td><td></td><td>2</td><td></td></tr> </table>	72		70	68	67	66		63	62		59	57		53	52	51		48	47	46		44			40	39	37	36	35	34	33		73		32		30		27	26	25	24	22	21									15	14			10	9	8	6	5	4		2													
72		70	68	67	66		63	62		59	57		53																																																																						
52	51		48	47	46		44			40	39	37	36	35	34	33																																																																			
	73		32		30		27	26	25	24	22	21																																																																							
				15	14			10	9	8	6	5	4		2																																																																				
AVAILABLE	NOT APPLICABLE	34566-4943	0	A	BLACK	<table border="1"> <tr><td></td><td></td><td>70</td><td>69</td><td>68</td><td>67</td><td></td><td></td><td>63</td><td>62</td><td>61</td><td>60</td><td>59</td><td>58</td><td>57</td><td>56</td><td>55</td><td>54</td><td>53</td></tr> <tr><td>52</td><td>51</td><td>50</td><td>49</td><td></td><td></td><td></td><td></td><td>44</td><td>43</td><td>42</td><td>41</td><td></td><td>39</td><td>38</td><td>37</td><td>36</td><td></td><td>34</td></tr> <tr><td></td><td>73</td><td></td><td>32</td><td>31</td><td></td><td>29</td><td>28</td><td>27</td><td>26</td><td>25</td><td>23</td><td></td><td></td><td></td><td></td><td>19</td><td>18</td><td></td></tr> <tr><td></td><td></td><td></td><td></td><td>16</td><td>15</td><td>14</td><td>13</td><td>12</td><td>11</td><td>10</td><td>9</td><td>8</td><td></td><td></td><td></td><td>3</td><td></td><td></td></tr> </table>			70	69	68	67			63	62	61	60	59	58	57	56	55	54	53	52	51	50	49					44	43	42	41		39	38	37	36		34		73		32	31		29	28	27	26	25	23					19	18						16	15	14	13	12	11	10	9	8				3			
		70	69	68	67			63	62	61	60	59	58	57	56	55	54	53																																																																	
52	51	50	49					44	43	42	41		39	38	37	36		34																																																																	
	73		32	31		29	28	27	26	25	23					19	18																																																																		
				16	15	14	13	12	11	10	9	8				3																																																																			
AVAILABLE	NOT APPLICABLE	34566-4953	0	B	ST.GRAY	<table border="1"> <tr><td>72</td><td>71</td><td>70</td><td>69</td><td>68</td><td>67</td><td>66</td><td>65</td><td>64</td><td>63</td><td></td><td></td><td>59</td><td></td><td></td><td></td><td></td><td>53</td></tr> <tr><td>52</td><td>51</td><td>50</td><td>49</td><td>48</td><td>47</td><td>46</td><td>45</td><td>44</td><td>43</td><td></td><td></td><td>39</td><td></td><td></td><td></td><td></td><td>34</td><td>33</td></tr> <tr><td></td><td>73</td><td></td><td>32</td><td>31</td><td>30</td><td>29</td><td>28</td><td>27</td><td>26</td><td>25</td><td>24</td><td>23</td><td></td><td></td><td></td><td></td><td>19</td><td>18</td><td>17</td></tr> <tr><td></td><td></td><td></td><td></td><td>16</td><td>15</td><td>14</td><td>13</td><td>12</td><td>11</td><td>10</td><td></td><td>8</td><td>7</td><td></td><td></td><td></td><td>3</td><td>2</td><td>1</td></tr> </table>	72	71	70	69	68	67	66	65	64	63			59					53	52	51	50	49	48	47	46	45	44	43			39					34	33		73		32	31	30	29	28	27	26	25	24	23					19	18	17					16	15	14	13	12	11	10		8	7				3	2	1
72	71	70	69	68	67	66	65	64	63			59					53																																																																		
52	51	50	49	48	47	46	45	44	43			39					34	33																																																																	
	73		32	31	30	29	28	27	26	25	24	23					19	18	17																																																																
				16	15	14	13	12	11	10		8	7				3	2	1																																																																
AVAILABLE	NOT APPLICABLE	34566-4963	9	A	BLACK	<table border="1"> <tr><td>72</td><td></td><td>69</td><td>67</td><td>66</td><td>65</td><td></td><td>63</td><td></td><td>60</td><td></td><td>57</td><td>56</td><td></td><td>53</td></tr> <tr><td></td><td></td><td>49</td><td>47</td><td>46</td><td></td><td>44</td><td>43</td><td>42</td><td>40</td><td></td><td>37</td><td>36</td><td>35</td><td>33</td></tr> <tr><td></td><td>73</td><td></td><td>31</td><td>30</td><td>29</td><td>28</td><td>27</td><td>26</td><td>24</td><td></td><td>21</td><td>20</td><td></td><td>17</td></tr> <tr><td></td><td></td><td></td><td>16</td><td>15</td><td>14</td><td>13</td><td></td><td>11</td><td>10</td><td></td><td></td><td>5</td><td>4</td><td>3</td><td>2</td><td>1</td></tr> </table>	72		69	67	66	65		63		60		57	56		53			49	47	46		44	43	42	40		37	36	35	33		73		31	30	29	28	27	26	24		21	20		17				16	15	14	13		11	10			5	4	3	2	1															
72		69	67	66	65		63		60		57	56		53																																																																					
		49	47	46		44	43	42	40		37	36	35	33																																																																					
	73		31	30	29	28	27	26	24		21	20		17																																																																					
			16	15	14	13		11	10			5	4	3	2	1																																																																			
AVAILABLE	NOT APPLICABLE	34566-4973	9	B	ST.GRAY	<table border="1"> <tr><td></td><td></td><td>68</td><td>67</td><td></td><td>64</td><td></td><td></td><td></td><td>59</td><td>58</td><td></td><td></td><td>54</td></tr> <tr><td></td><td></td><td></td><td></td><td>46</td><td>45</td><td>44</td><td>43</td><td></td><td>39</td><td>38</td><td></td><td></td><td></td></tr> <tr><td></td><td>73</td><td></td><td>32</td><td></td><td>30</td><td>29</td><td>28</td><td>27</td><td></td><td>23</td><td>22</td><td></td><td>17</td></tr> <tr><td></td><td></td><td></td><td></td><td>15</td><td></td><td>13</td><td>12</td><td>10</td><td></td><td></td><td>6</td><td></td><td></td><td></td><td></td><td>1</td></tr> </table>			68	67		64				59	58			54					46	45	44	43		39	38					73		32		30	29	28	27		23	22		17					15		13	12	10			6					1																		
		68	67		64				59	58			54																																																																						
				46	45	44	43		39	38																																																																									
	73		32		30	29	28	27		23	22		17																																																																						
				15		13	12	10			6					1																																																																			

<b>QUALITY SYMBOLS</b> = 0 = 0 = 0 = 0 = 0 = 0 = 0 = 0 = 0	THIS DRAWING CONTAINS INFORMATION THAT IS PROPRIETARY TO MOLEX ELECTRONIC TECHNOLOGIES, LLC AND SHOULD NOT BE USED WITHOUT WRITTEN PERMISSION									
	2017/04/12	2017/04/21	GENERAL TOLERANCES (UNLESS SPECIFIED)		DIMENSION UNITS	SCALE				
	EC NO: 115716	DRWN: TYE	CHKD: JDENG02	REV: APPR: JDENG02	MM	1:1				
	ANGULAR TOL ± °			DRWN BY	DATE					
	4 PLACES ±			SKRAJENDRANA	2011/02/14					
	3 PLACES ±			CHKD BY	DATE					
	2 PLACES ±			MVANSLAMBROU	2011/02/14					
	1 PLACE ±			APPR BY	DATE					
	0 PLACES ±									
	DRAFT WHERE APPLICABLE MUST REMAIN WITHIN DIMENSIONS			DRAWING SIZE	THIRD ANGLE PROJECTION					
G50			D							
SERIES		MATERIAL NUMBER		CUSTOMER						
34566		SEE BOM TABLE		GENERAL MARKET						
DOCUMENT NUMBER			DOC TYPE	DOC PART	SHEET NUMBER					
SD-34566-001			PSD	000	56 OF 93					

STATUS	GM PART #	MATERIAL #	WIRE DRESS OPTION	KEY OPTION ▽	COLOR (TPA) ▽	NUMBERS INDICATE CAVITIES OPEN FOR CIRCUITS ▽																																																																																
AVAILABLE	NOT APPLICABLE	34566-4983	0	B	ST.GRAY	<table border="1"> <tr><td>72</td><td>70</td><td>68</td><td>66</td><td></td><td></td><td></td><td></td><td></td><td>60</td><td>59</td><td></td><td></td><td>55</td><td>54</td><td>53</td></tr> <tr><td>52</td><td>50</td><td>48</td><td>46</td><td></td><td>44</td><td></td><td></td><td></td><td>40</td><td>39</td><td></td><td></td><td>35</td><td>34</td><td>33</td></tr> <tr><td colspan="2">73</td><td>32</td><td>31</td><td>30</td><td>29</td><td>28</td><td>27</td><td>26</td><td>25</td><td>24</td><td>23</td><td></td><td></td><td>19</td><td>18</td><td>17</td></tr> <tr><td colspan="2"></td><td>16</td><td></td><td></td><td></td><td></td><td></td><td>10</td><td>8</td><td>7</td><td></td><td></td><td></td><td>2</td><td>1</td><td></td></tr> </table>	72	70	68	66						60	59			55	54	53	52	50	48	46		44				40	39			35	34	33	73		32	31	30	29	28	27	26	25	24	23			19	18	17			16						10	8	7				2	1															
72	70	68	66						60	59			55	54	53																																																																							
52	50	48	46		44				40	39			35	34	33																																																																							
73		32	31	30	29	28	27	26	25	24	23			19	18	17																																																																						
		16						10	8	7				2	1																																																																							
AVAILABLE	NOT APPLICABLE	34566-4993	0	A	BLACK	<table border="1"> <tr><td>72</td><td>71</td><td>70</td><td>69</td><td>67</td><td></td><td></td><td></td><td>64</td><td>63</td><td></td><td></td><td>60</td><td>59</td><td></td><td>56</td><td>55</td><td>54</td><td>53</td></tr> <tr><td>52</td><td>51</td><td></td><td>49</td><td>47</td><td></td><td></td><td>45</td><td>44</td><td>43</td><td>42</td><td>41</td><td></td><td></td><td></td><td>36</td><td></td><td>34</td><td></td></tr> <tr><td colspan="2">73</td><td>32</td><td></td><td>30</td><td></td><td></td><td>28</td><td></td><td>26</td><td></td><td></td><td></td><td></td><td></td><td>19</td><td>18</td><td></td><td></td></tr> <tr><td colspan="2"></td><td>16</td><td>15</td><td></td><td></td><td></td><td>12</td><td></td><td>10</td><td></td><td></td><td></td><td></td><td></td><td>3</td><td></td><td></td><td></td></tr> </table>	72	71	70	69	67				64	63			60	59		56	55	54	53	52	51		49	47			45	44	43	42	41				36		34		73		32		30			28		26						19	18					16	15				12		10						3							
72	71	70	69	67				64	63			60	59		56	55	54	53																																																																				
52	51		49	47			45	44	43	42	41				36		34																																																																					
73		32		30			28		26						19	18																																																																						
		16	15				12		10						3																																																																							
AVAILABLE	NOT APPLICABLE	34566-5013	9	B	ST.GRAY	<table border="1"> <tr><td></td><td></td><td></td><td>68</td><td>67</td><td></td><td></td><td></td><td>64</td><td>63</td><td></td><td></td><td></td><td>59</td><td>58</td><td></td><td>55</td><td>54</td><td></td></tr> <tr><td></td><td></td><td></td><td></td><td></td><td>46</td><td>45</td><td>44</td><td>43</td><td></td><td></td><td></td><td></td><td>39</td><td>38</td><td></td><td>35</td><td></td><td></td></tr> <tr><td colspan="2">73</td><td>32</td><td></td><td>30</td><td>29</td><td>28</td><td>27</td><td></td><td></td><td></td><td></td><td>23</td><td>22</td><td></td><td>19</td><td>17</td><td></td><td></td></tr> <tr><td colspan="2"></td><td></td><td>15</td><td></td><td>13</td><td>12</td><td></td><td>10</td><td></td><td></td><td></td><td>6</td><td></td><td></td><td></td><td></td><td></td><td>1</td></tr> </table>				68	67				64	63				59	58		55	54							46	45	44	43					39	38		35			73		32		30	29	28	27					23	22		19	17						15		13	12		10				6						1				
			68	67				64	63				59	58		55	54																																																																					
					46	45	44	43					39	38		35																																																																						
73		32		30	29	28	27					23	22		19	17																																																																						
			15		13	12		10				6						1																																																																				
AVAILABLE	NOT APPLICABLE	34566-5023	0	C	BLUE	<table border="1"> <tr><td>72</td><td>70</td><td>68</td><td>67</td><td></td><td></td><td></td><td></td><td>63</td><td>62</td><td></td><td></td><td>59</td><td></td><td>57</td><td></td><td></td><td></td><td>53</td></tr> <tr><td>52</td><td>51</td><td></td><td>48</td><td>47</td><td>46</td><td></td><td></td><td>44</td><td>42</td><td></td><td></td><td>40</td><td>39</td><td></td><td>37</td><td>36</td><td></td><td>34</td><td>33</td></tr> <tr><td colspan="2">73</td><td>32</td><td></td><td>30</td><td></td><td></td><td></td><td>26</td><td>25</td><td>24</td><td></td><td>22</td><td>21</td><td>20</td><td></td><td></td><td></td><td></td><td></td></tr> <tr><td colspan="2"></td><td></td><td>15</td><td>14</td><td></td><td></td><td></td><td></td><td></td><td>8</td><td></td><td>6</td><td>5</td><td>4</td><td></td><td></td><td></td><td>2</td><td></td></tr> </table>	72	70	68	67					63	62			59		57				53	52	51		48	47	46			44	42			40	39		37	36		34	33	73		32		30				26	25	24		22	21	20									15	14						8		6	5	4				2		
72	70	68	67					63	62			59		57				53																																																																				
52	51		48	47	46			44	42			40	39		37	36		34	33																																																																			
73		32		30				26	25	24		22	21	20																																																																								
			15	14						8		6	5	4				2																																																																				
AVAILABLE	NOT APPLICABLE	34566-5033	0	A	BLACK	<table border="1"> <tr><td></td><td></td><td>70</td><td>69</td><td></td><td></td><td></td><td></td><td></td><td>63</td><td>62</td><td>61</td><td>60</td><td></td><td>58</td><td>57</td><td>56</td><td>55</td><td>54</td><td>53</td></tr> <tr><td>52</td><td>51</td><td></td><td>49</td><td></td><td></td><td></td><td></td><td>44</td><td>43</td><td>42</td><td>41</td><td></td><td></td><td></td><td>37</td><td>36</td><td>35</td><td>34</td><td>33</td></tr> <tr><td colspan="2">73</td><td>32</td><td></td><td></td><td></td><td>29</td><td>28</td><td>27</td><td>26</td><td>25</td><td></td><td></td><td></td><td></td><td></td><td></td><td>19</td><td>18</td><td></td></tr> <tr><td colspan="2"></td><td>16</td><td>15</td><td></td><td></td><td>13</td><td>12</td><td>11</td><td>10</td><td></td><td></td><td></td><td></td><td></td><td></td><td></td><td>3</td><td></td><td></td></tr> </table>			70	69						63	62	61	60		58	57	56	55	54	53	52	51		49					44	43	42	41				37	36	35	34	33	73		32				29	28	27	26	25							19	18				16	15			13	12	11	10								3		
		70	69						63	62	61	60		58	57	56	55	54	53																																																																			
52	51		49					44	43	42	41				37	36	35	34	33																																																																			
73		32				29	28	27	26	25							19	18																																																																				
		16	15			13	12	11	10								3																																																																					
AVAILABLE	NOT APPLICABLE	34566-5043	0	A	BLACK	<table border="1"> <tr><td></td><td></td><td></td><td></td><td></td><td></td><td></td><td></td><td></td><td></td><td></td><td></td><td></td><td></td><td></td><td></td><td></td><td></td><td></td><td></td></tr> <tr><td colspan="2">73</td><td></td><td></td><td></td><td></td><td></td><td>31</td><td></td><td></td><td></td><td></td><td></td><td></td><td></td><td></td><td></td><td></td><td></td><td></td></tr> </table>																					73							31																																																				
73							31																																																																															
AVAILABLE	NOT APPLICABLE	34566-5053	0	B	ST.GRAY	<table border="1"> <tr><td></td><td></td><td></td><td></td><td></td><td></td><td></td><td></td><td></td><td></td><td></td><td></td><td></td><td></td><td></td><td></td><td></td><td></td><td></td><td></td></tr> <tr><td colspan="2">73</td><td></td><td></td><td></td><td></td><td></td><td>47</td><td></td><td></td><td></td><td></td><td></td><td></td><td></td><td></td><td></td><td></td><td>20</td><td></td><td>17</td></tr> <tr><td colspan="2"></td><td></td><td></td><td></td><td></td><td></td><td>31</td><td></td><td></td><td></td><td></td><td></td><td></td><td></td><td></td><td></td><td></td><td></td><td></td><td>1</td></tr> </table>																					73							47											20		17								31													1																		
73							47											20		17																																																																		
							31													1																																																																		
AVAILABLE	NOT APPLICABLE	34566-5063	9	H	ST.GRAY	<table border="1"> <tr><td>80</td><td>79</td><td>78</td><td>77</td><td>76</td><td>75</td><td>74</td><td>73</td><td>72</td><td>71</td><td>70</td><td>69</td><td>68</td><td>67</td><td>66</td><td>65</td><td>64</td><td>63</td><td>62</td><td>61</td></tr> <tr><td>60</td><td>59</td><td>58</td><td>57</td><td>56</td><td>55</td><td>54</td><td>53</td><td>52</td><td>51</td><td>50</td><td>49</td><td>48</td><td>47</td><td>46</td><td>45</td><td>44</td><td>43</td><td>42</td><td>41</td></tr> <tr><td>40</td><td>39</td><td>38</td><td>37</td><td></td><td>35</td><td>34</td><td>33</td><td>32</td><td></td><td>30</td><td>29</td><td></td><td>27</td><td>26</td><td></td><td>24</td><td>23</td><td>22</td><td>21</td></tr> <tr><td>20</td><td>19</td><td>18</td><td>17</td><td></td><td></td><td>14</td><td>13</td><td>12</td><td>11</td><td>10</td><td>9</td><td>8</td><td></td><td>6</td><td>5</td><td></td><td>3</td><td>2</td><td></td></tr> </table>	80	79	78	77	76	75	74	73	72	71	70	69	68	67	66	65	64	63	62	61	60	59	58	57	56	55	54	53	52	51	50	49	48	47	46	45	44	43	42	41	40	39	38	37		35	34	33	32		30	29		27	26		24	23	22	21	20	19	18	17			14	13	12	11	10	9	8		6	5		3	2	
80	79	78	77	76	75	74	73	72	71	70	69	68	67	66	65	64	63	62	61																																																																			
60	59	58	57	56	55	54	53	52	51	50	49	48	47	46	45	44	43	42	41																																																																			
40	39	38	37		35	34	33	32		30	29		27	26		24	23	22	21																																																																			
20	19	18	17			14	13	12	11	10	9	8		6	5		3	2																																																																				
AVAILABLE	NOT APPLICABLE	34566-5073	9	A	BLACK	<table border="1"> <tr><td>72</td><td>71</td><td>70</td><td>69</td><td>68</td><td>67</td><td>66</td><td>65</td><td>64</td><td>63</td><td>62</td><td>61</td><td>60</td><td>59</td><td>58</td><td>57</td><td>56</td><td>55</td><td>54</td><td>53</td></tr> <tr><td>52</td><td>51</td><td>50</td><td>49</td><td>48</td><td>47</td><td>46</td><td>45</td><td>44</td><td>43</td><td>42</td><td>41</td><td>40</td><td>39</td><td>38</td><td>37</td><td>36</td><td></td><td>34</td><td>33</td></tr> <tr><td colspan="2">73</td><td>32</td><td>31</td><td>30</td><td>29</td><td>28</td><td>27</td><td>26</td><td></td><td></td><td>24</td><td>23</td><td>22</td><td>21</td><td>20</td><td>19</td><td>18</td><td></td><td></td></tr> <tr><td colspan="2"></td><td>16</td><td></td><td></td><td></td><td>13</td><td>12</td><td>11</td><td>10</td><td>9</td><td>8</td><td></td><td></td><td></td><td></td><td></td><td></td><td></td><td>1</td></tr> </table>	72	71	70	69	68	67	66	65	64	63	62	61	60	59	58	57	56	55	54	53	52	51	50	49	48	47	46	45	44	43	42	41	40	39	38	37	36		34	33	73		32	31	30	29	28	27	26			24	23	22	21	20	19	18					16				13	12	11	10	9	8								1
72	71	70	69	68	67	66	65	64	63	62	61	60	59	58	57	56	55	54	53																																																																			
52	51	50	49	48	47	46	45	44	43	42	41	40	39	38	37	36		34	33																																																																			
73		32	31	30	29	28	27	26			24	23	22	21	20	19	18																																																																					
		16				13	12	11	10	9	8								1																																																																			

<b>QUALITY SYMBOLS</b> ▽ = 0 ▽ = 0 ▽ = 0 ▽ = 0 ▽ = 0 ▽ = 0 ▽ = 0 ▽ = 0 ▽ = 0	THIS DRAWING CONTAINS INFORMATION THAT IS PROPRIETARY TO MOLEX ELECTRONIC TECHNOLOGIES, LLC AND SHOULD NOT BE USED WITHOUT WRITTEN PERMISSION										
	2017/04/12	2017/04/21	GENERAL TOLERANCES (UNLESS SPECIFIED)		DIMENSION UNITS	SCALE	 MX123 66/73/80CKT HRNS CONN ASSY PRODUCT CUSTOMER DRAWING				
	EC NO: 115716 DRWN: TYE CHKD: JDENG02 REV APPR:	G50	ANGULAR TOL ± °		MM	1:1					
			4 PLACES ±	SKRAJENDRANA	2011/02/14						
			3 PLACES ±	CHKD BY	DATE						
			2 PLACES ±	MVANSLAMBROU	2011/02/14						
			1 PLACE ±	APPR BY	DATE						
	0 PLACES ±	DRAFT WHERE APPLICABLE MUST REMAIN WITHIN DIMENSIONS		DRAWING SIZE	THIRD ANGLE PROJECTION						
			D		SERIES	MATERIAL NUMBER					CUSTOMER
					34566	SEE BOM TABLE					GENERAL MARKET
				DOCUMENT NUMBER	DOC TYPE	DOC PART					SHEET NUMBER
				SD-34566-001	PSD	000	57 OF 93				


STATUS	GM PART #	MATERIAL #	WIRE DRESS OPTION	KEY OPTION	COLOR (TPA)	NUMBERS INDICATE CAVITIES OPEN FOR CIRCUITS																																																																																				
AVAILABLE	NOT APPLICABLE	34566-5083	9	A	BLACK	<table border="1"> <tr><td></td><td></td><td>70</td><td>69</td><td></td><td></td><td></td><td></td><td></td><td></td><td>63</td><td>62</td><td>61</td><td>60</td><td></td><td>58</td><td>57</td><td>56</td><td>55</td><td>54</td><td>53</td></tr> <tr><td>52</td><td>51</td><td></td><td>49</td><td></td><td></td><td></td><td></td><td></td><td>44</td><td>43</td><td>42</td><td>41</td><td></td><td></td><td>38</td><td>37</td><td></td><td></td><td>34</td><td></td></tr> <tr><td colspan="2">73</td><td></td><td>32</td><td></td><td></td><td>29</td><td>28</td><td>27</td><td>26</td><td></td><td></td><td></td><td>23</td><td></td><td></td><td></td><td></td><td>19</td><td>18</td><td></td></tr> <tr><td colspan="2"></td><td></td><td>16</td><td>15</td><td></td><td>13</td><td>12</td><td>11</td><td>10</td><td></td><td></td><td>8</td><td></td><td></td><td></td><td></td><td></td><td>3</td><td></td><td></td></tr> </table>			70	69							63	62	61	60		58	57	56	55	54	53	52	51		49						44	43	42	41			38	37			34		73			32			29	28	27	26				23					19	18					16	15		13	12	11	10			8						3		
		70	69							63	62	61	60		58	57	56	55	54	53																																																																						
52	51		49						44	43	42	41			38	37			34																																																																							
73			32			29	28	27	26				23					19	18																																																																							
			16	15		13	12	11	10			8						3																																																																								
AVAILABLE	NOT APPLICABLE	34566-5093	0	B	ST,GRAY	<table border="1"> <tr><td>72</td><td>71</td><td>70</td><td>69</td><td>68</td><td>67</td><td>66</td><td>65</td><td>64</td><td>63</td><td>62</td><td>61</td><td>60</td><td>59</td><td>58</td><td>57</td><td>56</td><td>55</td><td>54</td><td>53</td></tr> <tr><td>52</td><td>51</td><td>50</td><td>49</td><td>48</td><td>47</td><td>46</td><td>45</td><td>44</td><td>43</td><td>42</td><td>41</td><td>40</td><td>39</td><td>38</td><td>37</td><td>36</td><td>35</td><td>34</td><td>33</td></tr> <tr><td colspan="2">73</td><td></td><td></td><td></td><td></td><td>29</td><td></td><td>27</td><td></td><td></td><td></td><td></td><td>23</td><td>22</td><td>21</td><td></td><td></td><td>18</td><td></td></tr> <tr><td colspan="2"></td><td></td><td>16</td><td>15</td><td>14</td><td>13</td><td></td><td></td><td></td><td></td><td></td><td>8</td><td>7</td><td>6</td><td>5</td><td>4</td><td>3</td><td></td><td></td></tr> </table>	72	71	70	69	68	67	66	65	64	63	62	61	60	59	58	57	56	55	54	53	52	51	50	49	48	47	46	45	44	43	42	41	40	39	38	37	36	35	34	33	73						29		27					23	22	21			18					16	15	14	13						8	7	6	5	4	3						
72	71	70	69	68	67	66	65	64	63	62	61	60	59	58	57	56	55	54	53																																																																							
52	51	50	49	48	47	46	45	44	43	42	41	40	39	38	37	36	35	34	33																																																																							
73						29		27					23	22	21			18																																																																								
			16	15	14	13						8	7	6	5	4	3																																																																									
AVAILABLE	NOT APPLICABLE	34566-5113	0	A	BLACK	<table border="1"> <tr><td>72</td><td>71</td><td>70</td><td>69</td><td>68</td><td>67</td><td>66</td><td></td><td>64</td><td>63</td><td>62</td><td></td><td>60</td><td>59</td><td></td><td></td><td></td><td>55</td><td>54</td><td>53</td></tr> <tr><td>52</td><td></td><td></td><td>49</td><td>48</td><td></td><td></td><td></td><td>44</td><td>43</td><td>42</td><td>41</td><td>40</td><td>39</td><td></td><td></td><td></td><td>35</td><td>34</td><td>33</td></tr> <tr><td colspan="2">73</td><td></td><td>32</td><td></td><td></td><td>29</td><td></td><td>27</td><td></td><td>25</td><td>24</td><td>23</td><td></td><td></td><td></td><td></td><td>19</td><td>18</td><td>17</td></tr> <tr><td colspan="2"></td><td></td><td>16</td><td></td><td></td><td>13</td><td>12</td><td>11</td><td></td><td>9</td><td>8</td><td>7</td><td>6</td><td>5</td><td>4</td><td>3</td><td>2</td><td>1</td><td></td></tr> </table>	72	71	70	69	68	67	66		64	63	62		60	59				55	54	53	52			49	48				44	43	42	41	40	39				35	34	33	73			32			29		27		25	24	23					19	18	17				16			13	12	11		9	8	7	6	5	4	3	2	1					
72	71	70	69	68	67	66		64	63	62		60	59				55	54	53																																																																							
52			49	48				44	43	42	41	40	39				35	34	33																																																																							
73			32			29		27		25	24	23					19	18	17																																																																							
			16			13	12	11		9	8	7	6	5	4	3	2	1																																																																								
AVAILABLE	NOT APPLICABLE	34566-5123	9	C	BLUE	<table border="1"> <tr><td>72</td><td></td><td>70</td><td></td><td>68</td><td>67</td><td>66</td><td></td><td></td><td>63</td><td>62</td><td></td><td></td><td>59</td><td>57</td><td></td><td></td><td></td><td></td><td>53</td></tr> <tr><td>52</td><td>51</td><td></td><td></td><td>48</td><td>47</td><td>46</td><td>45</td><td>44</td><td></td><td></td><td></td><td>40</td><td>39</td><td>38</td><td>37</td><td>36</td><td></td><td>34</td><td>33</td></tr> <tr><td colspan="2">73</td><td></td><td>32</td><td></td><td>30</td><td></td><td></td><td></td><td>27</td><td>26</td><td>25</td><td>24</td><td></td><td>22</td><td>21</td><td>20</td><td></td><td></td><td></td></tr> <tr><td colspan="2"></td><td></td><td></td><td>15</td><td>14</td><td></td><td></td><td></td><td></td><td>10</td><td>9</td><td>8</td><td></td><td>6</td><td>5</td><td>4</td><td></td><td>2</td><td></td></tr> </table>	72		70		68	67	66			63	62			59	57					53	52	51			48	47	46	45	44				40	39	38	37	36		34	33	73			32		30				27	26	25	24		22	21	20								15	14					10	9	8		6	5	4		2					
72		70		68	67	66			63	62			59	57					53																																																																							
52	51			48	47	46	45	44				40	39	38	37	36		34	33																																																																							
73			32		30				27	26	25	24		22	21	20																																																																										
				15	14					10	9	8		6	5	4		2																																																																								
AVAILABLE	NOT APPLICABLE	34566-5133	9	B	ST.GRAY	<table border="1"> <tr><td>72</td><td>71</td><td>70</td><td></td><td>68</td><td>67</td><td>66</td><td></td><td></td><td></td><td>62</td><td>61</td><td>60</td><td>59</td><td>58</td><td>57</td><td>56</td><td>55</td><td>54</td><td>53</td></tr> <tr><td>52</td><td>51</td><td>50</td><td></td><td>48</td><td>47</td><td>46</td><td></td><td></td><td></td><td>42</td><td>41</td><td>40</td><td>39</td><td>38</td><td>37</td><td>36</td><td>35</td><td>34</td><td>33</td></tr> <tr><td colspan="2">73</td><td></td><td>32</td><td>31</td><td>30</td><td>29</td><td>28</td><td>27</td><td>26</td><td>25</td><td>24</td><td>23</td><td></td><td></td><td></td><td></td><td></td><td></td><td></td></tr> <tr><td colspan="2"></td><td></td><td>16</td><td>15</td><td>14</td><td>13</td><td></td><td></td><td></td><td>10</td><td>9</td><td>8</td><td></td><td></td><td></td><td></td><td></td><td></td><td></td></tr> </table>	72	71	70		68	67	66				62	61	60	59	58	57	56	55	54	53	52	51	50		48	47	46				42	41	40	39	38	37	36	35	34	33	73			32	31	30	29	28	27	26	25	24	23											16	15	14	13				10	9	8											
72	71	70		68	67	66				62	61	60	59	58	57	56	55	54	53																																																																							
52	51	50		48	47	46				42	41	40	39	38	37	36	35	34	33																																																																							
73			32	31	30	29	28	27	26	25	24	23																																																																														
			16	15	14	13				10	9	8																																																																														
AVAILABLE	NOT APPLICABLE	34566-5143	0	C	BLUE	<table border="1"> <tr><td>72</td><td></td><td>70</td><td></td><td>68</td><td>67</td><td>66</td><td></td><td></td><td>63</td><td>62</td><td></td><td></td><td>59</td><td>57</td><td></td><td></td><td></td><td></td><td>53</td></tr> <tr><td>52</td><td>51</td><td></td><td></td><td>48</td><td>47</td><td>46</td><td></td><td>44</td><td></td><td>42</td><td></td><td>40</td><td>39</td><td></td><td>37</td><td>36</td><td></td><td>34</td><td>33</td></tr> <tr><td colspan="2">73</td><td></td><td>32</td><td></td><td>30</td><td></td><td></td><td></td><td>26</td><td>25</td><td>24</td><td></td><td></td><td>22</td><td>21</td><td>20</td><td></td><td></td><td></td></tr> <tr><td colspan="2"></td><td></td><td></td><td>15</td><td>14</td><td></td><td></td><td></td><td></td><td>10</td><td>9</td><td>8</td><td></td><td>6</td><td>5</td><td>4</td><td></td><td>2</td><td></td></tr> </table>	72		70		68	67	66			63	62			59	57					53	52	51			48	47	46		44		42		40	39		37	36		34	33	73			32		30				26	25	24			22	21	20								15	14					10	9	8		6	5	4		2					
72		70		68	67	66			63	62			59	57					53																																																																							
52	51			48	47	46		44		42		40	39		37	36		34	33																																																																							
73			32		30				26	25	24			22	21	20																																																																										
				15	14					10	9	8		6	5	4		2																																																																								
AVAILABLE	NOT APPLICABLE	34566-5153	0	A	BLACK	<table border="1"> <tr><td></td><td></td><td>70</td><td>69</td><td></td><td></td><td></td><td></td><td></td><td></td><td>63</td><td>62</td><td>61</td><td>60</td><td></td><td>58</td><td>57</td><td>56</td><td>55</td><td>54</td><td>53</td></tr> <tr><td>52</td><td>51</td><td></td><td>49</td><td></td><td>47</td><td></td><td></td><td></td><td>44</td><td>43</td><td>42</td><td>41</td><td></td><td></td><td></td><td>37</td><td>36</td><td>35</td><td>34</td><td>33</td></tr> <tr><td colspan="2">73</td><td></td><td>32</td><td></td><td></td><td>29</td><td>28</td><td>27</td><td>26</td><td>25</td><td></td><td></td><td></td><td></td><td></td><td></td><td></td><td>19</td><td>18</td><td></td></tr> <tr><td colspan="2"></td><td></td><td>16</td><td>15</td><td></td><td>13</td><td>12</td><td>11</td><td>10</td><td></td><td></td><td></td><td></td><td></td><td></td><td></td><td></td><td>3</td><td></td><td></td></tr> </table>			70	69							63	62	61	60		58	57	56	55	54	53	52	51		49		47				44	43	42	41				37	36	35	34	33	73			32			29	28	27	26	25								19	18					16	15		13	12	11	10									3		
		70	69							63	62	61	60		58	57	56	55	54	53																																																																						
52	51		49		47				44	43	42	41				37	36	35	34	33																																																																						
73			32			29	28	27	26	25								19	18																																																																							
			16	15		13	12	11	10									3																																																																								
AVAILABLE	NOT APPLICABLE	34566-5163	9	A	BLACK	<table border="1"> <tr><td>72</td><td></td><td></td><td>69</td><td>67</td><td></td><td>65</td><td></td><td>63</td><td></td><td>60</td><td></td><td></td><td></td><td>57</td><td>56</td><td></td><td></td><td></td><td>53</td></tr> <tr><td></td><td></td><td></td><td>49</td><td>47</td><td></td><td></td><td>44</td><td>43</td><td></td><td>40</td><td></td><td></td><td></td><td>37</td><td>36</td><td>35</td><td></td><td></td><td>33</td></tr> <tr><td colspan="2">73</td><td></td><td></td><td>31</td><td>30</td><td>29</td><td>28</td><td></td><td></td><td>24</td><td></td><td></td><td></td><td>21</td><td>20</td><td></td><td></td><td></td><td>17</td></tr> <tr><td colspan="2"></td><td></td><td>16</td><td>15</td><td>14</td><td></td><td></td><td>11</td><td>10</td><td></td><td></td><td></td><td></td><td>5</td><td>4</td><td>3</td><td>2</td><td>1</td><td></td></tr> </table>	72			69	67		65		63		60				57	56				53				49	47			44	43		40				37	36	35			33	73				31	30	29	28			24				21	20				17				16	15	14			11	10					5	4	3	2	1					
72			69	67		65		63		60				57	56				53																																																																							
			49	47			44	43		40				37	36	35			33																																																																							
73				31	30	29	28			24				21	20				17																																																																							
			16	15	14			11	10					5	4	3	2	1																																																																								
AVAILABLE	NOT APPLICABLE	34566-5173	9	B	ST.GRAY	<table border="1"> <tr><td></td><td></td><td></td><td>68</td><td>67</td><td></td><td>64</td><td>63</td><td></td><td></td><td>59</td><td>57</td><td></td><td></td><td></td><td></td><td></td><td></td><td></td><td></td></tr> <tr><td></td><td></td><td></td><td></td><td>46</td><td>45</td><td></td><td>43</td><td></td><td></td><td>39</td><td>37</td><td></td><td></td><td></td><td></td><td></td><td></td><td></td><td></td></tr> <tr><td colspan="2">73</td><td></td><td>32</td><td></td><td>30</td><td>29</td><td>28</td><td>27</td><td></td><td></td><td>21</td><td></td><td></td><td></td><td></td><td></td><td></td><td></td><td></td></tr> <tr><td colspan="2"></td><td></td><td></td><td></td><td></td><td></td><td></td><td></td><td>10</td><td></td><td></td><td>6</td><td>5</td><td>4</td><td>3</td><td></td><td></td><td></td><td></td></tr> </table>				68	67		64	63			59	57													46	45		43			39	37									73			32		30	29	28	27			21																		10			6	5	4	3								
			68	67		64	63			59	57																																																																															
				46	45		43			39	37																																																																															
73			32		30	29	28	27			21																																																																															
									10			6	5	4	3																																																																											

<b>QUALITY SYMBOLS</b> 	THIS DRAWING CONTAINS INFORMATION THAT IS PROPRIETARY TO MOLEX ELECTRONIC TECHNOLOGIES, LLC AND SHOULD NOT BE USED WITHOUT WRITTEN PERMISSION										
	2017/04/12	2017/04/21	GENERAL TOLERANCES (UNLESS SPECIFIED)		DIMENSION UNITS	SCALE					
	MM	1:1									
	DRWN BY	DATE	ANGULAR TOL ± °		DRWN BY	DATE	<b>MX123</b> <b>66/73/80CKT HRNS CONN ASSY</b>				
	SKRAJENDRANA	2011/02/14			SKRAJENDRANA	2011/02/14					
	CHKD BY	DATE	4 PLACES ±		CHKD BY	DATE	<b>PRODUCT CUSTOMER DRAWING</b>				
	MVANSLAMBROU	2011/02/14	3 PLACES ±		MVANSLAMBROU	2011/02/14					
	APPR BY	DATE	2 PLACES ±		APPR BY	DATE	<b>GENERAL MARKET</b>				
			1 PLACE ±								
	EC NO: 115716	DRWN: TYE	CHKD: JDENG02	REV: APPR: JDENG02	0 PLACES ±		DRAWING SIZE	THIRD ANGLE PROJECTION	<b>SD-34566-001</b>		
<b>G50</b>				DRAFT WHERE APPLICABLE MUST REMAIN WITHIN DIMENSIONS		<b>D</b>					
RELEASE STATUS	RELEASE DATE							<b>58 OF 93</b>			





STATUS	GM PART #	MATERIAL #	WIRE DRESS OPTION	KEY OPTION ▽	COLOR (TPA) ▽	NUMBERS INDICATE CAVITIES OPEN FOR CIRCUITS F <sub>p</sub>																																																																																
AVAILABLE	NOT APPLICABLE	34566-5283	0	C	BLUE	<table border="1"> <tr><td>72</td><td></td><td>70</td><td></td><td>68</td><td>67</td><td>66</td><td></td><td></td><td>63</td><td>62</td><td></td><td></td><td>59</td><td></td><td>57</td><td>56</td><td>55</td><td>54</td><td>53</td></tr> <tr><td>52</td><td>51</td><td></td><td></td><td>48</td><td>47</td><td>46</td><td></td><td></td><td>44</td><td>42</td><td></td><td>40</td><td>39</td><td></td><td></td><td></td><td></td><td>34</td><td>33</td></tr> <tr><td colspan="2">73</td><td></td><td></td><td>32</td><td></td><td>30</td><td></td><td></td><td></td><td>26</td><td>25</td><td></td><td></td><td>22</td><td>21</td><td></td><td>19</td><td>18</td><td></td></tr> <tr><td colspan="2"></td><td></td><td></td><td></td><td>15</td><td>14</td><td></td><td></td><td></td><td>10</td><td>9</td><td></td><td></td><td>6</td><td>5</td><td>4</td><td>3</td><td></td><td></td></tr> </table>	72		70		68	67	66			63	62			59		57	56	55	54	53	52	51			48	47	46			44	42		40	39					34	33	73				32		30				26	25			22	21		19	18							15	14				10	9			6	5	4	3		
72		70		68	67	66			63	62			59		57	56	55	54	53																																																																			
52	51			48	47	46			44	42		40	39					34	33																																																																			
73				32		30				26	25			22	21		19	18																																																																				
					15	14				10	9			6	5	4	3																																																																					
AVAILABLE	NOT APPLICABLE	34566-5293	0	A	BLACK	<table border="1"> <tr><td></td><td></td><td>70</td><td>69</td><td></td><td></td><td></td><td></td><td></td><td>63</td><td>62</td><td>61</td><td>60</td><td></td><td>58</td><td>57</td><td>56</td><td>55</td><td>54</td><td>53</td></tr> <tr><td>52</td><td>51</td><td></td><td>49</td><td></td><td></td><td></td><td></td><td></td><td>44</td><td>43</td><td>42</td><td>41</td><td>40</td><td></td><td></td><td>37</td><td>36</td><td></td><td>34</td></tr> <tr><td colspan="2">73</td><td></td><td></td><td>32</td><td></td><td></td><td>29</td><td>28</td><td>27</td><td>26</td><td></td><td></td><td></td><td></td><td></td><td></td><td></td><td>19</td><td>18</td></tr> <tr><td colspan="2"></td><td></td><td></td><td>16</td><td>15</td><td></td><td>13</td><td>12</td><td>11</td><td>10</td><td></td><td></td><td></td><td></td><td></td><td></td><td>3</td><td>2</td><td>1</td></tr> </table>			70	69						63	62	61	60		58	57	56	55	54	53	52	51		49						44	43	42	41	40			37	36		34	73				32			29	28	27	26								19	18					16	15		13	12	11	10							3	2	1
		70	69						63	62	61	60		58	57	56	55	54	53																																																																			
52	51		49						44	43	42	41	40			37	36		34																																																																			
73				32			29	28	27	26								19	18																																																																			
				16	15		13	12	11	10							3	2	1																																																																			
AVAILABLE	NOT APPLICABLE	34566-5313	0	C	BLUE	<table border="1"> <tr><td>72</td><td></td><td>70</td><td></td><td>68</td><td>67</td><td>66</td><td></td><td></td><td>63</td><td>62</td><td></td><td></td><td>59</td><td></td><td>57</td><td>56</td><td>55</td><td>54</td><td>53</td></tr> <tr><td>52</td><td>51</td><td></td><td></td><td>48</td><td>47</td><td>46</td><td></td><td></td><td>44</td><td>42</td><td></td><td>40</td><td>39</td><td>38</td><td>37</td><td>36</td><td></td><td>34</td><td>33</td></tr> <tr><td colspan="2">73</td><td></td><td></td><td>32</td><td></td><td>30</td><td></td><td></td><td>27</td><td>26</td><td>25</td><td>24</td><td></td><td>22</td><td>21</td><td></td><td>19</td><td>18</td><td></td></tr> <tr><td colspan="2"></td><td></td><td></td><td></td><td>15</td><td>14</td><td></td><td></td><td></td><td>10</td><td>9</td><td>8</td><td></td><td>6</td><td>5</td><td>4</td><td>3</td><td>2</td><td></td></tr> </table>	72		70		68	67	66			63	62			59		57	56	55	54	53	52	51			48	47	46			44	42		40	39	38	37	36		34	33	73				32		30			27	26	25	24		22	21		19	18							15	14				10	9	8		6	5	4	3	2	
72		70		68	67	66			63	62			59		57	56	55	54	53																																																																			
52	51			48	47	46			44	42		40	39	38	37	36		34	33																																																																			
73				32		30			27	26	25	24		22	21		19	18																																																																				
					15	14				10	9	8		6	5	4	3	2																																																																				
AVAILABLE	NOT APPLICABLE	34566-5323	0	G	BLUE	<table border="1"> <tr><td>80</td><td>78</td><td>77</td><td></td><td>75</td><td>74</td><td>73</td><td>72</td><td></td><td>70</td><td>69</td><td></td><td>67</td><td></td><td>65</td><td>64</td><td>63</td><td>62</td><td></td><td></td></tr> <tr><td>60</td><td>58</td><td>57</td><td></td><td>55</td><td>54</td><td></td><td>52</td><td>51</td><td>50</td><td>49</td><td></td><td>47</td><td></td><td>45</td><td></td><td></td><td></td><td></td><td></td></tr> <tr><td>40</td><td>38</td><td>37</td><td></td><td></td><td></td><td>33</td><td>32</td><td>31</td><td></td><td></td><td></td><td>27</td><td>26</td><td>25</td><td>24</td><td></td><td></td><td></td><td></td></tr> <tr><td>20</td><td>18</td><td>17</td><td></td><td></td><td></td><td></td><td></td><td></td><td>10</td><td>9</td><td>8</td><td></td><td>6</td><td>5</td><td>4</td><td>3</td><td>2</td><td>1</td><td></td></tr> </table>	80	78	77		75	74	73	72		70	69		67		65	64	63	62			60	58	57		55	54		52	51	50	49		47		45						40	38	37				33	32	31				27	26	25	24					20	18	17							10	9	8		6	5	4	3	2	1	
80	78	77		75	74	73	72		70	69		67		65	64	63	62																																																																					
60	58	57		55	54		52	51	50	49		47		45																																																																								
40	38	37				33	32	31				27	26	25	24																																																																							
20	18	17							10	9	8		6	5	4	3	2	1																																																																				
AVAILABLE	NOT APPLICABLE	34566-5333	0	A	BLACK	<table border="1"> <tr><td>72</td><td>71</td><td>70</td><td></td><td>68</td><td>67</td><td>66</td><td>65</td><td>64</td><td>63</td><td>62</td><td></td><td>60</td><td>59</td><td></td><td></td><td>56</td><td></td><td></td><td>53</td></tr> <tr><td></td><td>51</td><td></td><td>49</td><td>48</td><td>47</td><td>46</td><td>45</td><td>44</td><td>43</td><td></td><td>41</td><td>40</td><td></td><td></td><td></td><td></td><td></td><td></td><td></td></tr> <tr><td colspan="2">73</td><td></td><td></td><td></td><td></td><td>30</td><td>29</td><td>28</td><td></td><td>26</td><td>25</td><td>24</td><td></td><td></td><td></td><td>20</td><td></td><td></td><td>17</td></tr> <tr><td colspan="2"></td><td></td><td></td><td></td><td></td><td></td><td></td><td>12</td><td>11</td><td></td><td></td><td></td><td></td><td></td><td></td><td></td><td></td><td></td><td></td></tr> </table>	72	71	70		68	67	66	65	64	63	62		60	59			56			53		51		49	48	47	46	45	44	43		41	40								73						30	29	28		26	25	24				20			17									12	11										
72	71	70		68	67	66	65	64	63	62		60	59			56			53																																																																			
	51		49	48	47	46	45	44	43		41	40																																																																										
73						30	29	28		26	25	24				20			17																																																																			
								12	11																																																																													
AVAILABLE	NOT APPLICABLE	34566-5343	0	B	ST.GRAY	<table border="1"> <tr><td></td><td></td><td></td><td></td><td>68</td><td>67</td><td></td><td></td><td>64</td><td></td><td></td><td></td><td></td><td>59</td><td>58</td><td></td><td></td><td></td><td>54</td><td></td></tr> <tr><td></td><td></td><td></td><td></td><td></td><td></td><td>46</td><td>45</td><td></td><td></td><td></td><td></td><td></td><td>39</td><td>38</td><td></td><td></td><td></td><td></td><td></td></tr> <tr><td colspan="2">73</td><td></td><td></td><td>32</td><td></td><td>30</td><td>29</td><td>28</td><td>27</td><td></td><td></td><td></td><td>23</td><td>22</td><td></td><td></td><td></td><td></td><td>17</td></tr> <tr><td colspan="2"></td><td></td><td></td><td></td><td></td><td></td><td></td><td>12</td><td>10</td><td></td><td>8</td><td></td><td>6</td><td></td><td></td><td></td><td></td><td></td><td>1</td></tr> </table>					68	67			64					59	58				54								46	45						39	38						73				32		30	29	28	27				23	22					17									12	10		8		6						1
				68	67			64					59	58				54																																																																				
						46	45						39	38																																																																								
73				32		30	29	28	27				23	22					17																																																																			
								12	10		8		6						1																																																																			
AVAILABLE	NOT APPLICABLE	34566-5353	9	B	ST.GRAY	<table border="1"> <tr><td></td><td></td><td></td><td></td><td>68</td><td>67</td><td></td><td></td><td>64</td><td>63</td><td></td><td></td><td></td><td>59</td><td>58</td><td></td><td></td><td>55</td><td>54</td><td></td></tr> <tr><td></td><td></td><td></td><td></td><td></td><td></td><td>46</td><td>45</td><td>44</td><td>43</td><td></td><td></td><td></td><td>39</td><td>38</td><td></td><td></td><td>35</td><td>34</td><td></td></tr> <tr><td colspan="2">73</td><td></td><td></td><td>32</td><td></td><td>30</td><td>29</td><td>28</td><td>27</td><td></td><td></td><td></td><td>23</td><td>22</td><td></td><td></td><td>19</td><td>17</td><td></td></tr> <tr><td colspan="2"></td><td></td><td></td><td></td><td>15</td><td></td><td>13</td><td>12</td><td>10</td><td></td><td></td><td></td><td>6</td><td></td><td></td><td></td><td></td><td></td><td>1</td></tr> </table>					68	67			64	63				59	58			55	54								46	45	44	43				39	38			35	34		73				32		30	29	28	27				23	22			19	17							15		13	12	10				6						1
				68	67			64	63				59	58			55	54																																																																				
						46	45	44	43				39	38			35	34																																																																				
73				32		30	29	28	27				23	22			19	17																																																																				
					15		13	12	10				6						1																																																																			
AVAILABLE	NOT APPLICABLE	34566-5363	0	C	BLUE	<table border="1"> <tr><td>72</td><td></td><td>70</td><td></td><td>68</td><td></td><td>66</td><td></td><td></td><td>63</td><td>62</td><td></td><td></td><td>59</td><td></td><td>57</td><td></td><td></td><td></td><td>53</td></tr> <tr><td>52</td><td>51</td><td></td><td></td><td>48</td><td>47</td><td>46</td><td></td><td></td><td>44</td><td>42</td><td></td><td>40</td><td>39</td><td>38</td><td></td><td></td><td></td><td>34</td><td>33</td></tr> <tr><td colspan="2">73</td><td></td><td></td><td>32</td><td></td><td>30</td><td></td><td></td><td></td><td>26</td><td>25</td><td></td><td></td><td>22</td><td>21</td><td></td><td></td><td></td><td></td></tr> <tr><td colspan="2"></td><td></td><td></td><td></td><td>15</td><td>14</td><td></td><td></td><td></td><td>10</td><td>9</td><td></td><td></td><td>6</td><td>5</td><td>4</td><td></td><td></td><td></td></tr> </table>	72		70		68		66			63	62			59		57				53	52	51			48	47	46			44	42		40	39	38				34	33	73				32		30				26	25			22	21										15	14				10	9			6	5	4			
72		70		68		66			63	62			59		57				53																																																																			
52	51			48	47	46			44	42		40	39	38				34	33																																																																			
73				32		30				26	25			22	21																																																																							
					15	14				10	9			6	5	4																																																																						
AVAILABLE	NOT APPLICABLE	34566-5373	0	C	BLUE	<table border="1"> <tr><td>72</td><td></td><td>70</td><td></td><td>68</td><td></td><td>66</td><td></td><td></td><td>63</td><td>62</td><td></td><td></td><td>59</td><td></td><td>57</td><td></td><td></td><td></td><td>53</td></tr> <tr><td>52</td><td>51</td><td></td><td></td><td>48</td><td>47</td><td>46</td><td></td><td></td><td>44</td><td>42</td><td></td><td>40</td><td>39</td><td></td><td></td><td></td><td></td><td>34</td><td>33</td></tr> <tr><td colspan="2">73</td><td></td><td></td><td>32</td><td></td><td>30</td><td></td><td></td><td></td><td>26</td><td>25</td><td></td><td></td><td>22</td><td>21</td><td></td><td></td><td></td><td></td></tr> <tr><td colspan="2"></td><td></td><td></td><td></td><td>15</td><td>14</td><td></td><td></td><td></td><td>10</td><td>9</td><td></td><td></td><td>6</td><td></td><td></td><td></td><td></td><td></td></tr> </table>	72		70		68		66			63	62			59		57				53	52	51			48	47	46			44	42		40	39					34	33	73				32		30				26	25			22	21										15	14				10	9			6					
72		70		68		66			63	62			59		57				53																																																																			
52	51			48	47	46			44	42		40	39					34	33																																																																			
73				32		30				26	25			22	21																																																																							
					15	14				10	9			6																																																																								

<b>QUALITY SYMBOLS</b> ▽ = 0 ▽ = 0 ▽ = 0 ▽ = 0 ▽ = 0 ▽ = 0 ▽ = 0 ▽ = 0 ▽ = 0	THIS DRAWING CONTAINS INFORMATION THAT IS PROPRIETARY TO MOLEX ELECTRONIC TECHNOLOGIES, LLC AND SHOULD NOT BE USED WITHOUT WRITTEN PERMISSION										
	EC NO: 115716	DRWN: TYE	CHKD: JDENG02	REV: APPR: JDENG02	GENERAL TOLERANCES (UNLESS SPECIFIED)		DIMENSION UNITS	SCALE	 MX123 66/73/80CKT HRNS CONN ASSY PRODUCT CUSTOMER DRAWING		
	2017/04/12	2017/04/21			MM	1:1					
	ANGULAR TOL ± °		DRWN BY	DATE	SKRAJENDRANA		2011/02/14	SERIES: 34566 MATERIAL NUMBER: SEE BOM TABLE CUSTOMER: GENERAL MARKET			
	4 PLACES ±	CHKD BY	DATE	MVANSLAMBROU		2011/02/14					
	3 PLACES ±	APPR BY	DATE	DRAWING SIZE: D THIRD ANGLE PROJECTION			DOCUMENT NUMBER: SD-34566-001 DOC TYPE: PSD DOC PART: 000 SHEET NUMBER: 60 OF 93				
	2 PLACES ±										
	1 PLACE ±										
	0 PLACES ±										
	DRAFT WHERE APPLICABLE MUST REMAIN WITHIN DIMENSIONS										

STATUS	GM PART #	MATERIAL #	WIRE DRESS OPTION	KEY OPTION	COLOR (TPA)	NUMBERS INDICATE CAVITIES OPEN FOR CIRCUITS F <sub>P</sub>																																																										
AVAILABLE	NOT APPLICABLE	34566-5383	0	C	BLUE	<table border="1"> <tr><td>72</td><td>70</td><td>68</td><td>66</td><td>63</td><td>62</td><td>59</td><td>57</td><td>53</td></tr> <tr><td>52</td><td>51</td><td>48</td><td>47</td><td>46</td><td>44</td><td>42</td><td>40</td><td>39</td><td>37</td><td>36</td><td>34</td><td>33</td></tr> <tr><td colspan="2">73</td><td>32</td><td>30</td><td>26</td><td>25</td><td>24</td><td>22</td><td>21</td><td></td><td></td><td></td><td></td></tr> <tr><td colspan="2"></td><td>15</td><td>14</td><td>10</td><td>9</td><td>8</td><td>6</td><td>5</td><td>4</td><td></td><td>2</td><td></td></tr> </table>	72	70	68	66	63	62	59	57	53	52	51	48	47	46	44	42	40	39	37	36	34	33	73		32	30	26	25	24	22	21							15	14	10	9	8	6	5	4		2											
72	70	68	66	63	62	59	57	53																																																								
52	51	48	47	46	44	42	40	39	37	36	34	33																																																				
73		32	30	26	25	24	22	21																																																								
		15	14	10	9	8	6	5	4		2																																																					
AVAILABLE	NOT APPLICABLE	34566-5393	0	A	BLACK	<table border="1"> <tr><td>70</td><td>69</td><td>63</td><td>56</td><td>55</td><td>54</td><td>53</td></tr> <tr><td>52</td><td>51</td><td>49</td><td>44</td><td>43</td><td>42</td><td>41</td><td>36</td><td>34</td></tr> <tr><td colspan="2">73</td><td>32</td><td>28</td><td>26</td><td>23</td><td>21</td><td>19</td><td>18</td></tr> <tr><td colspan="2"></td><td>16</td><td>12</td><td>10</td><td>8</td><td>5</td><td>3</td><td></td></tr> </table>	70	69	63	56	55	54	53	52	51	49	44	43	42	41	36	34	73		32	28	26	23	21	19	18			16	12	10	8	5	3																									
70	69	63	56	55	54	53																																																										
52	51	49	44	43	42	41	36	34																																																								
73		32	28	26	23	21	19	18																																																								
		16	12	10	8	5	3																																																									
AVAILABLE	NOT APPLICABLE	34566-5413	0	A	BLACK	<table border="1"> <tr><td>70</td><td>69</td><td>63</td><td>56</td><td>55</td><td>54</td><td>53</td></tr> <tr><td>52</td><td>51</td><td>49</td><td>44</td><td>43</td><td>42</td><td>41</td><td>36</td><td>34</td></tr> <tr><td colspan="2">73</td><td>32</td><td>28</td><td>26</td><td>23</td><td>21</td><td>19</td><td>18</td></tr> <tr><td colspan="2"></td><td>16</td><td>15</td><td>12</td><td>10</td><td>8</td><td>5</td><td>3</td></tr> </table>	70	69	63	56	55	54	53	52	51	49	44	43	42	41	36	34	73		32	28	26	23	21	19	18			16	15	12	10	8	5	3																								
70	69	63	56	55	54	53																																																										
52	51	49	44	43	42	41	36	34																																																								
73		32	28	26	23	21	19	18																																																								
		16	15	12	10	8	5	3																																																								
AVAILABLE <sup>B</sup>	NOT APPLICABLE	34566-5423	0	A	BLACK	<table border="1"> <tr><td>70</td><td>69</td><td>63</td><td>58</td><td>56</td><td>55</td><td>54</td><td>53</td></tr> <tr><td>52</td><td>51</td><td>49</td><td>44</td><td>43</td><td>42</td><td>41</td><td>36</td><td>34</td></tr> <tr><td colspan="2">73</td><td>32</td><td>28</td><td>26</td><td></td><td></td><td>19</td><td>18</td></tr> <tr><td colspan="2"></td><td>16</td><td>12</td><td>10</td><td></td><td></td><td>3</td><td></td></tr> </table>	70	69	63	58	56	55	54	53	52	51	49	44	43	42	41	36	34	73		32	28	26			19	18			16	12	10			3																								
70	69	63	58	56	55	54	53																																																									
52	51	49	44	43	42	41	36	34																																																								
73		32	28	26			19	18																																																								
		16	12	10			3																																																									
AVAILABLE	NOT APPLICABLE	34566-5433	9	B	ST.GRAY	<table border="1"> <tr><td>68</td><td>67</td><td>64</td><td>59</td><td>58</td><td>54</td></tr> <tr><td></td><td>46</td><td>45</td><td>39</td><td>38</td><td></td></tr> <tr><td colspan="2">73</td><td>32</td><td>30</td><td>29</td><td>28</td><td>27</td><td>23</td><td>22</td><td>17</td></tr> <tr><td colspan="2"></td><td></td><td></td><td>10</td><td></td><td>6</td><td></td><td></td><td>1</td></tr> </table>	68	67	64	59	58	54		46	45	39	38		73		32	30	29	28	27	23	22	17					10		6			1																										
68	67	64	59	58	54																																																											
	46	45	39	38																																																												
73		32	30	29	28	27	23	22	17																																																							
				10		6			1																																																							
AVAILABLE <sup>B</sup>	NOT APPLICABLE <sup>B</sup>	34566-5443	9	B	ST.GRAY	<table border="1"> <tr><td>68</td><td>67</td><td>64</td><td>59</td><td>58</td><td>54</td></tr> <tr><td></td><td>46</td><td>45</td><td>39</td><td>38</td><td></td></tr> <tr><td colspan="2">73</td><td>32</td><td>30</td><td>29</td><td>28</td><td>27</td><td>23</td><td>22</td><td>17</td></tr> <tr><td colspan="2"></td><td>15</td><td>13</td><td>10</td><td></td><td>6</td><td></td><td></td><td>1</td></tr> </table>	68	67	64	59	58	54		46	45	39	38		73		32	30	29	28	27	23	22	17			15	13	10		6			1																										
68	67	64	59	58	54																																																											
	46	45	39	38																																																												
73		32	30	29	28	27	23	22	17																																																							
		15	13	10		6			1																																																							
AVAILABLE	NOT APPLICABLE	34566-5453	0	B	ST.GRAY	<table border="1"> <tr><td>68</td><td>67</td><td>64</td><td>59</td><td>58</td><td>54</td></tr> <tr><td></td><td>46</td><td>45</td><td>39</td><td>38</td><td></td></tr> <tr><td colspan="2">73</td><td>32</td><td>30</td><td>29</td><td>28</td><td>27</td><td>23</td><td>22</td><td>17</td></tr> <tr><td colspan="2"></td><td>15</td><td>13</td><td>10</td><td></td><td>6</td><td></td><td></td><td>1</td></tr> </table>	68	67	64	59	58	54		46	45	39	38		73		32	30	29	28	27	23	22	17			15	13	10		6			1																										
68	67	64	59	58	54																																																											
	46	45	39	38																																																												
73		32	30	29	28	27	23	22	17																																																							
		15	13	10		6			1																																																							
AVAILABLE	NOT APPLICABLE	34566-5463	0	A	BLACK	<table border="1"> <tr><td>72</td><td>70</td><td>63</td><td>60</td><td>59</td><td>56</td><td>53</td></tr> <tr><td>52</td><td>49</td><td>41</td><td>40</td><td>23</td><td>20</td><td>19</td></tr> <tr><td colspan="2">73</td><td>31</td><td>30</td><td>28</td><td>27</td><td>26</td><td>25</td><td>24</td><td>23</td><td>20</td><td>19</td><td>17</td></tr> <tr><td colspan="2"></td><td>16</td><td>15</td><td>14</td><td>12</td><td>10</td><td>6</td><td></td><td></td><td></td><td></td><td></td></tr> </table>	72	70	63	60	59	56	53	52	49	41	40	23	20	19	73		31	30	28	27	26	25	24	23	20	19	17			16	15	14	12	10	6																							
72	70	63	60	59	56	53																																																										
52	49	41	40	23	20	19																																																										
73		31	30	28	27	26	25	24	23	20	19	17																																																				
		16	15	14	12	10	6																																																									
AVAILABLE	NOT APPLICABLE	34566-5473	0	A	BLACK	<table border="1"> <tr><td>72</td><td>71</td><td>70</td><td>68</td><td>67</td><td>66</td><td>65</td><td>64</td><td>63</td><td>62</td><td>60</td><td>59</td><td>56</td><td>53</td></tr> <tr><td>52</td><td>51</td><td>48</td><td>47</td><td>46</td><td>45</td><td>44</td><td>43</td><td>42</td><td>41</td><td>40</td><td></td><td></td><td></td></tr> <tr><td colspan="2">73</td><td>31</td><td>30</td><td>29</td><td>28</td><td>27</td><td>26</td><td>25</td><td>24</td><td>23</td><td></td><td>20</td><td>19</td><td>17</td></tr> <tr><td colspan="2"></td><td>16</td><td>15</td><td>14</td><td>12</td><td>11</td><td>10</td><td></td><td></td><td>6</td><td></td><td></td><td></td><td></td></tr> </table>	72	71	70	68	67	66	65	64	63	62	60	59	56	53	52	51	48	47	46	45	44	43	42	41	40				73		31	30	29	28	27	26	25	24	23		20	19	17			16	15	14	12	11	10			6				
72	71	70	68	67	66	65	64	63	62	60	59	56	53																																																			
52	51	48	47	46	45	44	43	42	41	40																																																						
73		31	30	29	28	27	26	25	24	23		20	19	17																																																		
		16	15	14	12	11	10			6																																																						

<b>QUALITY SYMBOLS</b> = 0 = 0 = 0 = 0 = 0 = 0 = 0 = 0 = 0	THIS DRAWING CONTAINS INFORMATION THAT IS PROPRIETARY TO MOLEX ELECTRONIC TECHNOLOGIES, LLC AND SHOULD NOT BE USED WITHOUT WRITTEN PERMISSION									
	2017/04/12	2017/04/21	GENERAL TOLERANCES (UNLESS SPECIFIED)		DIMENSION UNITS	SCALE				
	2017/04/12		ANGULAR TOL ± °		MM	1:1				
	4 PLACES ±		SKRAJENDRANA		DATE	2011/02/14				
	3 PLACES ±		CHKD BY		DATE					
	2 PLACES ±		MVANSLAMBROU		DATE	2011/02/14				
	1 PLACE ±		APPR BY		DATE					
	0 PLACES ±									
	DRAFT WHERE APPLICABLE MUST REMAIN WITHIN DIMENSIONS		DRAWING SIZE	THIRD ANGLE PROJECTION						
	D									
EC NO: 115716	DRWN: TYE	CHKD: JDENG02	REV: APPR: JDENG02	G50	SERIES					
34566		SEE BOM TABLE		GENERAL MARKET						
DOCUMENT NUMBER			DOC TYPE	DOC PART	SHEET NUMBER					
SD-34566-001			PSD	000	61 OF 93					

STATUS	GM PART #	MATERIAL #	WIRE DRESS OPTION	KEY OPTION	COLOR (TPA)	NUMBERS INDICATE CAVITIES OPEN FOR CIRCUITS F <sub>p</sub>																																																																			
AVAILABLE	NOT APPLICABLE	34566-5483	0	B	ST.GRAY	<table border="1"> <tr><td>72</td><td>70</td><td>68</td><td>66</td><td>64</td><td>63</td><td>60</td><td>59</td><td>55</td><td>54</td><td>53</td></tr> <tr><td>52</td><td>50</td><td>48</td><td>46</td><td></td><td></td><td>40</td><td>39</td><td>35</td><td>34</td><td>33</td></tr> <tr><td colspan="2">73</td><td>32</td><td>31</td><td>30</td><td>29</td><td>28</td><td>27</td><td>26</td><td>25</td><td>24</td><td>20</td><td>17</td></tr> <tr><td colspan="2"></td><td>16</td><td></td><td></td><td></td><td>10</td><td>8</td><td>5</td><td>4</td><td>2</td><td>1</td><td></td></tr> </table>	72	70	68	66	64	63	60	59	55	54	53	52	50	48	46			40	39	35	34	33	73		32	31	30	29	28	27	26	25	24	20	17			16				10	8	5	4	2	1																				
72	70	68	66	64	63	60	59	55	54	53																																																															
52	50	48	46			40	39	35	34	33																																																															
73		32	31	30	29	28	27	26	25	24	20	17																																																													
		16				10	8	5	4	2	1																																																														
AVAILABLE	NOT APPLICABLE	34566-5493	0	A	BLACK	<table border="1"> <tr><td>72</td><td>70</td><td>69</td><td></td><td></td><td></td><td>63</td><td>60</td><td>59</td><td>58</td><td>57</td><td>56</td><td>55</td><td>54</td><td>53</td></tr> <tr><td>52</td><td>51</td><td>49</td><td></td><td></td><td></td><td>44</td><td>43</td><td>42</td><td>41</td><td>40</td><td>37</td><td>36</td><td>34</td><td></td></tr> <tr><td colspan="2">73</td><td>32</td><td></td><td></td><td>28</td><td>26</td><td></td><td></td><td></td><td></td><td></td><td>19</td><td>18</td><td>17</td></tr> <tr><td colspan="2"></td><td>16</td><td>15</td><td></td><td>12</td><td>10</td><td></td><td></td><td></td><td></td><td></td><td>3</td><td>2</td><td>1</td></tr> </table>	72	70	69				63	60	59	58	57	56	55	54	53	52	51	49				44	43	42	41	40	37	36	34		73		32			28	26						19	18	17			16	15		12	10						3	2	1							
72	70	69				63	60	59	58	57	56	55	54	53																																																											
52	51	49				44	43	42	41	40	37	36	34																																																												
73		32			28	26						19	18	17																																																											
		16	15		12	10						3	2	1																																																											
AVAILABLE	NOT APPLICABLE	34566-5513	9	B	ST.GRAY	<table border="1"> <tr><td></td><td></td><td>68</td><td>67</td><td></td><td>64</td><td>63</td><td></td><td></td><td>58</td><td></td><td>55</td><td></td><td></td><td></td></tr> <tr><td></td><td></td><td></td><td></td><td>46</td><td>45</td><td>43</td><td></td><td></td><td>38</td><td></td><td>35</td><td></td><td></td><td></td></tr> <tr><td colspan="2">73</td><td>32</td><td>30</td><td>29</td><td>28</td><td>27</td><td></td><td></td><td>22</td><td></td><td>19</td><td></td><td>17</td><td></td></tr> <tr><td colspan="2"></td><td></td><td></td><td></td><td></td><td>10</td><td></td><td></td><td></td><td></td><td></td><td></td><td></td><td>1</td></tr> </table>			68	67		64	63			58		55								46	45	43			38		35				73		32	30	29	28	27			22		19		17								10								1							
		68	67		64	63			58		55																																																														
				46	45	43			38		35																																																														
73		32	30	29	28	27			22		19		17																																																												
						10								1																																																											
AVAILABLE	NOT APPLICABLE	34566-5523	9	A	BLACK	<table border="1"> <tr><td>72</td><td></td><td>69</td><td>67</td><td>66</td><td>65</td><td>63</td><td>60</td><td></td><td>57</td><td>56</td><td></td><td></td><td>53</td><td></td></tr> <tr><td></td><td></td><td>49</td><td>47</td><td></td><td>44</td><td>43</td><td>42</td><td>40</td><td>37</td><td>36</td><td>35</td><td></td><td>33</td><td></td></tr> <tr><td colspan="2">73</td><td></td><td>31</td><td>30</td><td>29</td><td>28</td><td>27</td><td>26</td><td>24</td><td></td><td>21</td><td>20</td><td></td><td>17</td></tr> <tr><td colspan="2"></td><td></td><td>16</td><td>15</td><td>14</td><td>13</td><td></td><td>11</td><td>10</td><td></td><td>5</td><td>4</td><td>3</td><td>2</td><td>1</td></tr> </table>	72		69	67	66	65	63	60		57	56			53				49	47		44	43	42	40	37	36	35		33		73			31	30	29	28	27	26	24		21	20		17				16	15	14	13		11	10		5	4	3	2	1						
72		69	67	66	65	63	60		57	56			53																																																												
		49	47		44	43	42	40	37	36	35		33																																																												
73			31	30	29	28	27	26	24		21	20		17																																																											
			16	15	14	13		11	10		5	4	3	2	1																																																										
AVAILABLE	NOT APPLICABLE	34566-5533	9	B	ST.GRAY	<table border="1"> <tr><td></td><td></td><td>68</td><td>67</td><td></td><td>64</td><td></td><td></td><td>59</td><td>58</td><td></td><td></td><td></td><td>54</td><td></td></tr> <tr><td></td><td></td><td></td><td></td><td>46</td><td>45</td><td></td><td></td><td>39</td><td>38</td><td></td><td></td><td></td><td></td><td></td></tr> <tr><td colspan="2">73</td><td>32</td><td>30</td><td>29</td><td>28</td><td>27</td><td></td><td>23</td><td>22</td><td></td><td></td><td></td><td></td><td>17</td></tr> <tr><td colspan="2"></td><td></td><td></td><td></td><td></td><td>10</td><td>9</td><td>8</td><td>6</td><td></td><td></td><td></td><td></td><td>1</td></tr> </table>			68	67		64			59	58				54						46	45			39	38						73		32	30	29	28	27		23	22					17							10	9	8	6					1							
		68	67		64			59	58				54																																																												
				46	45			39	38																																																																
73		32	30	29	28	27		23	22					17																																																											
						10	9	8	6					1																																																											
AVAILABLE	NOT APPLICABLE	34566-5543	9	A	BLACK	<table border="1"> <tr><td></td><td></td><td>68</td><td>67</td><td></td><td>64</td><td></td><td></td><td>59</td><td>58</td><td></td><td></td><td></td><td>54</td><td></td></tr> <tr><td></td><td></td><td></td><td></td><td>46</td><td>45</td><td></td><td></td><td>39</td><td>38</td><td></td><td></td><td></td><td></td><td></td></tr> <tr><td colspan="2">73</td><td>32</td><td>30</td><td>29</td><td>28</td><td>27</td><td></td><td>23</td><td>22</td><td></td><td></td><td></td><td></td><td>17</td></tr> <tr><td colspan="2"></td><td></td><td></td><td></td><td>12</td><td>10</td><td></td><td>8</td><td>6</td><td></td><td></td><td></td><td></td><td>1</td></tr> </table>			68	67		64			59	58				54						46	45			39	38						73		32	30	29	28	27		23	22					17						12	10		8	6					1							
		68	67		64			59	58				54																																																												
				46	45			39	38																																																																
73		32	30	29	28	27		23	22					17																																																											
					12	10		8	6					1																																																											
AVAILABLE	NOT APPLICABLE	34566-5553	9	B	ST.GRAY	<table border="1"> <tr><td></td><td></td><td>68</td><td>67</td><td></td><td>64</td><td></td><td></td><td>59</td><td>58</td><td></td><td></td><td></td><td>54</td><td></td></tr> <tr><td></td><td></td><td></td><td></td><td>46</td><td>45</td><td></td><td></td><td>39</td><td>38</td><td></td><td></td><td></td><td></td><td></td></tr> <tr><td colspan="2">73</td><td>32</td><td>30</td><td>29</td><td>28</td><td>27</td><td></td><td>23</td><td>22</td><td></td><td></td><td></td><td></td><td>17</td></tr> <tr><td colspan="2"></td><td></td><td></td><td></td><td>12</td><td>10</td><td></td><td>8</td><td>6</td><td></td><td></td><td></td><td></td><td>1</td></tr> </table>			68	67		64			59	58				54						46	45			39	38						73		32	30	29	28	27		23	22					17						12	10		8	6					1							
		68	67		64			59	58				54																																																												
				46	45			39	38																																																																
73		32	30	29	28	27		23	22					17																																																											
					12	10		8	6					1																																																											
AVAILABLE	NOT APPLICABLE	34566-5563	0	A	BLACK	<table border="1"> <tr><td>72</td><td>71</td><td>70</td><td>69</td><td></td><td></td><td>64</td><td>63</td><td>60</td><td>59</td><td>58</td><td>57</td><td>56</td><td>55</td><td>54</td><td>53</td></tr> <tr><td>52</td><td>51</td><td></td><td>49</td><td>48</td><td>47</td><td>45</td><td>44</td><td>43</td><td>42</td><td>41</td><td></td><td>37</td><td>36</td><td></td><td>34</td><td>33</td></tr> <tr><td colspan="2">73</td><td></td><td></td><td>32</td><td></td><td>30</td><td></td><td>28</td><td></td><td>26</td><td></td><td></td><td></td><td>19</td><td>18</td><td>17</td></tr> <tr><td colspan="2"></td><td></td><td></td><td>16</td><td>15</td><td></td><td></td><td>12</td><td></td><td>10</td><td></td><td></td><td></td><td>3</td><td>2</td><td>1</td></tr> </table>	72	71	70	69			64	63	60	59	58	57	56	55	54	53	52	51		49	48	47	45	44	43	42	41		37	36		34	33	73				32		30		28		26				19	18	17					16	15			12		10				3	2	1
72	71	70	69			64	63	60	59	58	57	56	55	54	53																																																										
52	51		49	48	47	45	44	43	42	41		37	36		34	33																																																									
73				32		30		28		26				19	18	17																																																									
				16	15			12		10				3	2	1																																																									
AVAILABLE	NOT APPLICABLE	34566-5573	0	C	BLUE	<table border="1"> <tr><td>72</td><td>70</td><td>68</td><td>66</td><td></td><td>63</td><td>62</td><td>59</td><td>58</td><td>57</td><td>56</td><td>55</td><td></td><td>53</td><td></td></tr> <tr><td>52</td><td>51</td><td>49</td><td>48</td><td>47</td><td>46</td><td>44</td><td>42</td><td>40</td><td>39</td><td>38</td><td>37</td><td>36</td><td>34</td><td>33</td></tr> <tr><td colspan="2">73</td><td></td><td>32</td><td></td><td>30</td><td></td><td>26</td><td>25</td><td>24</td><td>23</td><td>22</td><td>21</td><td>20</td><td>19</td><td>18</td><td>17</td></tr> <tr><td colspan="2"></td><td></td><td></td><td>15</td><td>14</td><td>13</td><td></td><td>10</td><td>9</td><td>8</td><td>7</td><td>6</td><td>5</td><td>4</td><td>2</td><td>1</td></tr> </table>	72	70	68	66		63	62	59	58	57	56	55		53		52	51	49	48	47	46	44	42	40	39	38	37	36	34	33	73			32		30		26	25	24	23	22	21	20	19	18	17					15	14	13		10	9	8	7	6	5	4	2	1			
72	70	68	66		63	62	59	58	57	56	55		53																																																												
52	51	49	48	47	46	44	42	40	39	38	37	36	34	33																																																											
73			32		30		26	25	24	23	22	21	20	19	18	17																																																									
				15	14	13		10	9	8	7	6	5	4	2	1																																																									

<b>QUALITY SYMBOLS</b> = 0 = 0 = 0 = 0 = 0 = 0 = 0 = 0 = 0	THIS DRAWING CONTAINS INFORMATION THAT IS PROPRIETARY TO MOLEX ELECTRONIC TECHNOLOGIES, LLC AND SHOULD NOT BE USED WITHOUT WRITTEN PERMISSION									
	2017/04/12	2017/04/21	GENERAL TOLERANCES (UNLESS SPECIFIED)		DIMENSION UNITS	SCALE				
	MM	1:1								
	DRWN BY	DATE	ANGULAR TOL ± °		SKRAJENDRANA	2011/02/14				
	CHKD BY	DATE	4 PLACES ±	3 PLACES ±	MVANSLAMBROU	2011/02/14				
	APPR BY	DATE	2 PLACES ±	1 PLACE ±						
	0 PLACES ±	DRAFT WHERE APPLICABLE MUST REMAIN WITHIN DIMENSIONS		DRAWING SIZE	THIRD ANGLE PROJECTION					
	D		SERIES		MATERIAL NUMBER	CUSTOMER				
	G50	SD-34566-001	PSD	000	GENERAL MARKET					
	DOCUMENT NUMBER	DOC TYPE	DOC PART	SHEET NUMBER						
SD-34566-001	PSD	000	62 OF 93							

STATUS	GM PART #	MATERIAL #	WIRE DRESS OPTION	KEY OPTION	COLOR (TPA)	NUMBERS INDICATE CAVITIES OPEN FOR CIRCUITS F <sub>P</sub>																																																															
AVAILABLE	NOT APPLICABLE	34566-5583	0	B	ST.GRAY	<table border="1"> <tr><td>72</td><td>70</td><td>68</td><td>66</td><td>64</td><td>63</td><td>60</td><td>59</td><td>55</td><td>54</td><td>53</td></tr> <tr><td>52</td><td>50</td><td>48</td><td>46</td><td></td><td></td><td>40</td><td>39</td><td>35</td><td>34</td><td>33</td></tr> <tr><td colspan="2">73</td><td>32</td><td>31</td><td>30</td><td>29</td><td>28</td><td>27</td><td>26</td><td>25</td><td>24</td><td>23</td><td>20</td><td>17</td></tr> <tr><td colspan="2"></td><td>16</td><td></td><td></td><td></td><td>10</td><td>8</td><td>7</td><td>5</td><td>4</td><td>2</td><td>1</td><td></td></tr> </table>	72	70	68	66	64	63	60	59	55	54	53	52	50	48	46			40	39	35	34	33	73		32	31	30	29	28	27	26	25	24	23	20	17			16				10	8	7	5	4	2	1														
72	70	68	66	64	63	60	59	55	54	53																																																											
52	50	48	46			40	39	35	34	33																																																											
73		32	31	30	29	28	27	26	25	24	23	20	17																																																								
		16				10	8	7	5	4	2	1																																																									
AVAILABLE	NOT APPLICABLE	34566-5593	0	C	BLUE	<table border="1"> <tr><td>72</td><td>70</td><td>68</td><td>66</td><td>64</td><td>63</td><td>62</td><td>59</td><td>57</td><td>55</td><td>53</td></tr> <tr><td>52</td><td>51</td><td>48</td><td>47</td><td>46</td><td>44</td><td>42</td><td>40</td><td>39</td><td></td><td>34</td><td>33</td></tr> <tr><td colspan="2">73</td><td>32</td><td>30</td><td></td><td></td><td>26</td><td>25</td><td>23</td><td>22</td><td>21</td><td></td><td></td><td></td></tr> <tr><td colspan="2"></td><td>15</td><td>14</td><td></td><td></td><td>10</td><td>9</td><td>7</td><td>6</td><td>5</td><td>4</td><td></td><td></td></tr> </table>	72	70	68	66	64	63	62	59	57	55	53	52	51	48	47	46	44	42	40	39		34	33	73		32	30			26	25	23	22	21						15	14			10	9	7	6	5	4														
72	70	68	66	64	63	62	59	57	55	53																																																											
52	51	48	47	46	44	42	40	39		34	33																																																										
73		32	30			26	25	23	22	21																																																											
		15	14			10	9	7	6	5	4																																																										
AVAILABLE	NOT APPLICABLE	34566-5613	0	C	BLUE	<table border="1"> <tr><td>72</td><td>70</td><td>68</td><td></td><td></td><td>63</td><td>62</td><td>59</td><td>58</td><td>57</td><td></td><td></td><td>53</td></tr> <tr><td>52</td><td>51</td><td>48</td><td>47</td><td></td><td>44</td><td>42</td><td>40</td><td>39</td><td>37</td><td>36</td><td></td><td>34</td><td>33</td></tr> <tr><td colspan="2">73</td><td>32</td><td>30</td><td></td><td>27</td><td>26</td><td>25</td><td>24</td><td>23</td><td>22</td><td>21</td><td>20</td><td>17</td></tr> <tr><td colspan="2"></td><td>15</td><td>14</td><td>13</td><td></td><td></td><td>8</td><td>7</td><td>6</td><td>5</td><td>4</td><td>2</td><td>1</td></tr> </table>	72	70	68			63	62	59	58	57			53	52	51	48	47		44	42	40	39	37	36		34	33	73		32	30		27	26	25	24	23	22	21	20	17			15	14	13			8	7	6	5	4	2	1								
72	70	68			63	62	59	58	57			53																																																									
52	51	48	47		44	42	40	39	37	36		34	33																																																								
73		32	30		27	26	25	24	23	22	21	20	17																																																								
		15	14	13			8	7	6	5	4	2	1																																																								
AVAILABLE	NOT APPLICABLE	34566-5623	0	C	BLUE	<table border="1"> <tr><td>72</td><td>70</td><td>68</td><td></td><td></td><td>63</td><td>62</td><td>59</td><td>57</td><td></td><td></td><td></td><td>53</td></tr> <tr><td>52</td><td>51</td><td>48</td><td>47</td><td></td><td>44</td><td>42</td><td>40</td><td>39</td><td>37</td><td>36</td><td></td><td>34</td><td>33</td></tr> <tr><td colspan="2">73</td><td>32</td><td>30</td><td></td><td>27</td><td>26</td><td>25</td><td>24</td><td>23</td><td>22</td><td>21</td><td>20</td><td></td></tr> <tr><td colspan="2"></td><td>15</td><td>14</td><td>13</td><td></td><td></td><td>8</td><td>7</td><td>6</td><td>5</td><td>4</td><td>2</td><td></td></tr> </table>	72	70	68			63	62	59	57				53	52	51	48	47		44	42	40	39	37	36		34	33	73		32	30		27	26	25	24	23	22	21	20				15	14	13			8	7	6	5	4	2									
72	70	68			63	62	59	57				53																																																									
52	51	48	47		44	42	40	39	37	36		34	33																																																								
73		32	30		27	26	25	24	23	22	21	20																																																									
		15	14	13			8	7	6	5	4	2																																																									
AVAILABLE	NOT APPLICABLE	34566-5633	0	B	ST.GRAY	<table border="1"> <tr><td>72</td><td></td><td></td><td></td><td></td><td></td><td>62</td><td>61</td><td></td><td></td><td></td><td></td><td></td><td></td></tr> <tr><td>52</td><td></td><td></td><td>48</td><td>46</td><td>44</td><td>43</td><td>41</td><td>40</td><td></td><td></td><td></td><td></td><td></td></tr> <tr><td colspan="2">73</td><td></td><td></td><td>30</td><td></td><td></td><td></td><td></td><td></td><td></td><td>20</td><td>19</td><td>18</td></tr> <tr><td colspan="2"></td><td>16</td><td>15</td><td>14</td><td></td><td></td><td></td><td></td><td></td><td></td><td>4</td><td></td><td></td></tr> </table>	72						62	61							52			48	46	44	43	41	40						73				30							20	19	18			16	15	14							4									
72						62	61																																																														
52			48	46	44	43	41	40																																																													
73				30							20	19	18																																																								
		16	15	14							4																																																										
AVAILABLE	NOT APPLICABLE	34566-5643	0	B	ST.GRAY	<table border="1"> <tr><td>72</td><td></td><td></td><td></td><td></td><td></td><td>62</td><td>61</td><td></td><td></td><td></td><td></td><td></td><td></td></tr> <tr><td>52</td><td></td><td></td><td>48</td><td>46</td><td>43</td><td>41</td><td>40</td><td></td><td></td><td></td><td></td><td></td><td></td></tr> <tr><td colspan="2">73</td><td></td><td></td><td>30</td><td></td><td></td><td></td><td></td><td></td><td></td><td>20</td><td>19</td><td>18</td></tr> <tr><td colspan="2"></td><td>16</td><td>15</td><td>14</td><td></td><td></td><td></td><td></td><td></td><td></td><td>4</td><td></td><td></td></tr> </table>	72						62	61							52			48	46	43	41	40							73				30							20	19	18			16	15	14							4									
72						62	61																																																														
52			48	46	43	41	40																																																														
73				30							20	19	18																																																								
		16	15	14							4																																																										
AVAILABLE	NOT APPLICABLE	34566-5653	0	A	BLACK	<table border="1"> <tr><td>72</td><td>71</td><td>70</td><td>69</td><td>68</td><td>66</td><td>65</td><td>64</td><td>63</td><td>61</td><td>60</td><td>57</td><td>56</td><td>54</td><td>53</td></tr> <tr><td>52</td><td>51</td><td>50</td><td>49</td><td>48</td><td>46</td><td>45</td><td>44</td><td>43</td><td>40</td><td>39</td><td>38</td><td>37</td><td>36</td><td>34</td><td>33</td></tr> <tr><td colspan="2">73</td><td>32</td><td>31</td><td>30</td><td>29</td><td>28</td><td></td><td></td><td>26</td><td>25</td><td>23</td><td>22</td><td>21</td><td></td><td>17</td></tr> <tr><td colspan="2"></td><td>15</td><td>14</td><td>13</td><td>12</td><td></td><td></td><td></td><td>9</td><td>7</td><td>6</td><td>5</td><td></td><td></td><td>2</td></tr> </table>	72	71	70	69	68	66	65	64	63	61	60	57	56	54	53	52	51	50	49	48	46	45	44	43	40	39	38	37	36	34	33	73		32	31	30	29	28			26	25	23	22	21		17			15	14	13	12				9	7	6	5			2
72	71	70	69	68	66	65	64	63	61	60	57	56	54	53																																																							
52	51	50	49	48	46	45	44	43	40	39	38	37	36	34	33																																																						
73		32	31	30	29	28			26	25	23	22	21		17																																																						
		15	14	13	12				9	7	6	5			2																																																						
AVAILABLE	NOT APPLICABLE	34566-5663	0	C	BLUE	<table border="1"> <tr><td></td><td></td><td>69</td><td>67</td><td>66</td><td>64</td><td>62</td><td>60</td><td>57</td><td>55</td><td>54</td></tr> <tr><td>52</td><td>51</td><td>50</td><td>48</td><td>46</td><td>45</td><td>44</td><td>42</td><td>37</td><td>35</td><td>34</td><td>33</td></tr> <tr><td colspan="2">73</td><td>32</td><td>31</td><td></td><td>28</td><td>27</td><td>26</td><td></td><td>19</td><td>18</td><td></td></tr> <tr><td colspan="2"></td><td>16</td><td>15</td><td>14</td><td>13</td><td>12</td><td>11</td><td>10</td><td>9</td><td></td><td></td><td></td><td></td></tr> </table>			69	67	66	64	62	60	57	55	54	52	51	50	48	46	45	44	42	37	35	34	33	73		32	31		28	27	26		19	18				16	15	14	13	12	11	10	9																		
		69	67	66	64	62	60	57	55	54																																																											
52	51	50	48	46	45	44	42	37	35	34	33																																																										
73		32	31		28	27	26		19	18																																																											
		16	15	14	13	12	11	10	9																																																												
AVAILABLE	NOT APPLICABLE	34566-5673	0	C	BLUE	<table border="1"> <tr><td></td><td></td><td>69</td><td>67</td><td>66</td><td>64</td><td>61</td><td>60</td><td>57</td><td></td><td>54</td></tr> <tr><td>52</td><td>51</td><td>50</td><td>49</td><td>48</td><td>46</td><td>45</td><td>44</td><td>41</td><td>37</td><td>34</td><td>33</td></tr> <tr><td colspan="2">73</td><td>32</td><td>31</td><td></td><td>28</td><td>27</td><td>25</td><td></td><td></td><td>18</td><td></td><td></td><td></td></tr> <tr><td colspan="2"></td><td>16</td><td>15</td><td>14</td><td>13</td><td>12</td><td>11</td><td>10</td><td>9</td><td></td><td></td><td></td><td></td></tr> </table>			69	67	66	64	61	60	57		54	52	51	50	49	48	46	45	44	41	37	34	33	73		32	31		28	27	25			18						16	15	14	13	12	11	10	9																
		69	67	66	64	61	60	57		54																																																											
52	51	50	49	48	46	45	44	41	37	34	33																																																										
73		32	31		28	27	25			18																																																											
		16	15	14	13	12	11	10	9																																																												

<b>QUALITY SYMBOLS</b> = 0 = 0 = 0 = 0 = 0 = 0 = 0 = 0 = 0	THIS DRAWING CONTAINS INFORMATION THAT IS PROPRIETARY TO MOLEX ELECTRONIC TECHNOLOGIES, LLC AND SHOULD NOT BE USED WITHOUT WRITTEN PERMISSION									
	2017/04/12	2017/04/21	GENERAL TOLERANCES (UNLESS SPECIFIED)		DIMENSION UNITS	SCALE				
	MM	1:1								
	DRWN BY	DATE	ANGULAR TOL ± °		DRWN BY	DATE	<b>MX123</b> <b>66/73/80CKT HRNS CONN ASSY</b>			
	SKRAJENDRANA	2011/02/14	4 PLACES ±		SKRAJENDRANA	2011/02/14				
	CHKD BY	DATE	3 PLACES ±		CHKD BY	DATE	<b>PRODUCT CUSTOMER DRAWING</b>			
	MVANSLAMBROU	2011/02/14	2 PLACES ±		MVANSLAMBROU	2011/02/14				
	APPR BY	DATE	1 PLACE ±		APPR BY	DATE	<b>GENERAL MARKET</b>			
			0 PLACES ±							
	EC NO: 115716	DRWN: TYE	CHKD: JDENG02	REV: APPR: JDENG02	DRAFT WHERE APPLICABLE MUST REMAIN WITHIN DIMENSIONS	DRAWING SIZE	THIRD ANGLE PROJECTION	SERIES	MATERIAL NUMBER	CUSTOMER
<b>G50</b>				D			34566	SEE BOM TABLE	GENERAL MARKET	
							DOCUMENT NUMBER	DOC TYPE	DOC PART	SHEET NUMBER
							SD-34566-001	PSD	000	63 OF 93


STATUS	GM PART #	MATERIAL #	WIRE DRESS OPTION	KEY OPTION	COLOR (TPA)	NUMBERS INDICATE CAVITIES OPEN FOR CIRCUITS																																																																																																																																																																																																																																																																																																																																																																																																																																																																																																																																																																																																																																																																																																																																																																																																																																																																																																				
						Fp																																																																																																																																																																																																																																																																																																																																																																																																																																																																																																																																																																																																																																																																																																																																																																																																																																																																																																				
AVAILABLE	NOT APPLICABLE	34566-5683	0	B	ST.GRAY	72								62	61										52				48	46	44	43			41	40									20	19	18							73																	4			AVAILABLE	NOT APPLICABLE	34566-5693	0	A	BLACK	72	71	70	69	68		66	65	64	63		61	60			57	56		54	53	52	51	50	49	48		46	45	44	43			40	39	38	37	36				34	33							73				32	31	30	29	28		26	25		23	22	21	20																				9		7		6	5	4		2			AVAILABLE	NOT APPLICABLE	34566-5713	0	C	BLUE				69		67	66		64		62		60			57		55	54	52	51	50		48		46	45	44		42								37		35	34	33							73				32	31			28	27	26						19	18	17																			9		8	7						AVAILABLE	NOT APPLICABLE	34566-5723	0	C	BLUE				69		67	66		64		61	60			57			54	52	51	50	49	48		46	45	44		41									37		34	33							73				31			28	27		25								18																		9		8	7							AVAILABLE	NOT APPLICABLE	34566-5733	0	A	BLACK		71	70	69				64	63			60	59	58	57	56	55	54	53	52	51		49			45	44	43	42	41									37	36		34							73				32		30		28		26						19	18																	12		10							3			AVAILABLE	NOT APPLICABLE	34566-5743	0	A	BLACK		71	70	69				64	63			60	59		57	56	55	54	53	52	51		49			45	44	43	42	41									37	36		34							73				32		30		28		26						19	18																	12		10							3			AVAILABLE	NOT APPLICABLE	34566-5753	0	A	BLACK		71	70	69				64	63			60	59		57	56	55	54	53	52	51		49			45	44	43	42	41									37	36		34							73				32		30		28		26						19	18																	12		10							3			AVAILABLE	NOT APPLICABLE	34566-5763	0	C	BLUE	72		70		68		66			63	62			59		57				53	52	51			48	47	46		44		42		40	39			37	36				34	33							73				32		30		27	26	25	24		22	21	20																			10		9	8		6	5	4		2			AVAILABLE	NOT APPLICABLE	34566-5773	0	C	BLUE	72		70		68				63	62			59	58	57					53	52	51			48	47		44		42		40	39			37	36					34	33							73				32		30		27	26	25	24		22	21	20			17																		8		6	5	4		2		1
						52				48	46	44	43			41	40									20	19	18																																																																																																																																																																																																																																																																																																																																																																																																																																																																																																																																																																																																																																																																																																																																																																																																																																																																														
						73																	4																																																																																																																																																																																																																																																																																																																																																																																																																																																																																																																																																																																																																																																																																																																																																																																																																																																																																			
AVAILABLE	NOT APPLICABLE	34566-5693	0	A	BLACK	72	71	70	69	68		66	65	64	63		61	60			57	56		54	53	52	51	50	49	48		46	45	44	43			40	39	38	37	36				34	33							73				32	31	30	29	28		26	25		23	22	21	20																				9		7		6	5	4		2			AVAILABLE	NOT APPLICABLE	34566-5713	0	C	BLUE				69		67	66		64		62		60			57		55	54	52	51	50		48		46	45	44		42								37		35	34	33							73				32	31			28	27	26						19	18	17																			9		8	7						AVAILABLE	NOT APPLICABLE	34566-5723	0	C	BLUE				69		67	66		64		61	60			57			54	52	51	50	49	48		46	45	44		41									37		34	33							73				31			28	27		25								18																		9		8	7							AVAILABLE	NOT APPLICABLE	34566-5733	0	A	BLACK		71	70	69				64	63			60	59	58	57	56	55	54	53	52	51		49			45	44	43	42	41									37	36		34							73				32		30		28		26						19	18																	12		10							3			AVAILABLE	NOT APPLICABLE	34566-5743	0	A	BLACK		71	70	69				64	63			60	59		57	56	55	54	53	52	51		49			45	44	43	42	41									37	36		34							73				32		30		28		26						19	18																	12		10							3			AVAILABLE	NOT APPLICABLE	34566-5753	0	A	BLACK		71	70	69				64	63			60	59		57	56	55	54	53	52	51		49			45	44	43	42	41									37	36		34							73				32		30		28		26						19	18																	12		10							3			AVAILABLE	NOT APPLICABLE	34566-5763	0	C	BLUE	72		70		68		66			63	62			59		57				53	52	51			48	47	46		44		42		40	39			37	36				34	33							73				32		30		27	26	25	24		22	21	20																			10		9	8		6	5	4		2			AVAILABLE	NOT APPLICABLE	34566-5773	0	C	BLUE	72		70		68				63	62			59	58	57					53	52	51			48	47		44		42		40	39			37	36					34	33							73				32		30		27	26	25	24		22	21	20			17																		8		6	5	4		2		1																																																																										
						52	51	50	49	48		46	45	44	43			40	39	38	37	36				34	33																																																																																																																																																																																																																																																																																																																																																																																																																																																																																																																																																																																																																																																																																																																																																																																																																																																																															
						73				32	31	30	29	28		26	25		23	22	21	20																																																																																																																																																																																																																																																																																																																																																																																																																																																																																																																																																																																																																																																																																																																																																																																																																																																																																				
																9		7		6	5	4		2																																																																																																																																																																																																																																																																																																																																																																																																																																																																																																																																																																																																																																																																																																																																																																																																																																																																																		
AVAILABLE	NOT APPLICABLE	34566-5713	0	C	BLUE				69		67	66		64		62		60			57		55	54	52	51	50		48		46	45	44		42								37		35	34	33							73				32	31			28	27	26						19	18	17																			9		8	7						AVAILABLE	NOT APPLICABLE	34566-5723	0	C	BLUE				69		67	66		64		61	60			57			54	52	51	50	49	48		46	45	44		41									37		34	33							73				31			28	27		25								18																		9		8	7							AVAILABLE	NOT APPLICABLE	34566-5733	0	A	BLACK		71	70	69				64	63			60	59	58	57	56	55	54	53	52	51		49			45	44	43	42	41									37	36		34							73				32		30		28		26						19	18																	12		10							3			AVAILABLE	NOT APPLICABLE	34566-5743	0	A	BLACK		71	70	69				64	63			60	59		57	56	55	54	53	52	51		49			45	44	43	42	41									37	36		34							73				32		30		28		26						19	18																	12		10							3			AVAILABLE	NOT APPLICABLE	34566-5753	0	A	BLACK		71	70	69				64	63			60	59		57	56	55	54	53	52	51		49			45	44	43	42	41									37	36		34							73				32		30		28		26						19	18																	12		10							3			AVAILABLE	NOT APPLICABLE	34566-5763	0	C	BLUE	72		70		68		66			63	62			59		57				53	52	51			48	47	46		44		42		40	39			37	36				34	33							73				32		30		27	26	25	24		22	21	20																			10		9	8		6	5	4		2			AVAILABLE	NOT APPLICABLE	34566-5773	0	C	BLUE	72		70		68				63	62			59	58	57					53	52	51			48	47		44		42		40	39			37	36					34	33							73				32		30		27	26	25	24		22	21	20			17																		8		6	5	4		2		1																																																																																																																																																																															
						52	51	50		48		46	45	44		42								37		35	34	33																																																																																																																																																																																																																																																																																																																																																																																																																																																																																																																																																																																																																																																																																																																																																																																																																																																																														
						73				32	31			28	27	26						19	18	17																																																																																																																																																																																																																																																																																																																																																																																																																																																																																																																																																																																																																																																																																																																																																																																																																																																																																		
																		9		8	7																																																																																																																																																																																																																																																																																																																																																																																																																																																																																																																																																																																																																																																																																																																																																																																																																																																																																					
AVAILABLE	NOT APPLICABLE	34566-5723	0	C	BLUE				69		67	66		64		61	60			57			54	52	51	50	49	48		46	45	44		41									37		34	33							73				31			28	27		25								18																		9		8	7							AVAILABLE	NOT APPLICABLE	34566-5733	0	A	BLACK		71	70	69				64	63			60	59	58	57	56	55	54	53	52	51		49			45	44	43	42	41									37	36		34							73				32		30		28		26						19	18																	12		10							3			AVAILABLE	NOT APPLICABLE	34566-5743	0	A	BLACK		71	70	69				64	63			60	59		57	56	55	54	53	52	51		49			45	44	43	42	41									37	36		34							73				32		30		28		26						19	18																	12		10							3			AVAILABLE	NOT APPLICABLE	34566-5753	0	A	BLACK		71	70	69				64	63			60	59		57	56	55	54	53	52	51		49			45	44	43	42	41									37	36		34							73				32		30		28		26						19	18																	12		10							3			AVAILABLE	NOT APPLICABLE	34566-5763	0	C	BLUE	72		70		68		66			63	62			59		57				53	52	51			48	47	46		44		42		40	39			37	36				34	33							73				32		30		27	26	25	24		22	21	20																			10		9	8		6	5	4		2			AVAILABLE	NOT APPLICABLE	34566-5773	0	C	BLUE	72		70		68				63	62			59	58	57					53	52	51			48	47		44		42		40	39			37	36					34	33							73				32		30		27	26	25	24		22	21	20			17																		8		6	5	4		2		1																																																																																																																																																																																																																																																																																			
						52	51	50	49	48		46	45	44		41									37		34	33																																																																																																																																																																																																																																																																																																																																																																																																																																																																																																																																																																																																																																																																																																																																																																																																																																																																														
						73				31			28	27		25								18																																																																																																																																																																																																																																																																																																																																																																																																																																																																																																																																																																																																																																																																																																																																																																																																																																																																																		
																	9		8	7																																																																																																																																																																																																																																																																																																																																																																																																																																																																																																																																																																																																																																																																																																																																																																																																																																																																																						
AVAILABLE	NOT APPLICABLE	34566-5733	0	A	BLACK		71	70	69				64	63			60	59	58	57	56	55	54	53	52	51		49			45	44	43	42	41									37	36		34							73				32		30		28		26						19	18																	12		10							3			AVAILABLE	NOT APPLICABLE	34566-5743	0	A	BLACK		71	70	69				64	63			60	59		57	56	55	54	53	52	51		49			45	44	43	42	41									37	36		34							73				32		30		28		26						19	18																	12		10							3			AVAILABLE	NOT APPLICABLE	34566-5753	0	A	BLACK		71	70	69				64	63			60	59		57	56	55	54	53	52	51		49			45	44	43	42	41									37	36		34							73				32		30		28		26						19	18																	12		10							3			AVAILABLE	NOT APPLICABLE	34566-5763	0	C	BLUE	72		70		68		66			63	62			59		57				53	52	51			48	47	46		44		42		40	39			37	36				34	33							73				32		30		27	26	25	24		22	21	20																			10		9	8		6	5	4		2			AVAILABLE	NOT APPLICABLE	34566-5773	0	C	BLUE	72		70		68				63	62			59	58	57					53	52	51			48	47		44		42		40	39			37	36					34	33							73				32		30		27	26	25	24		22	21	20			17																		8		6	5	4		2		1																																																																																																																																																																																																																																																																																																																																																																																						
						52	51		49			45	44	43	42	41									37	36		34																																																																																																																																																																																																																																																																																																																																																																																																																																																																																																																																																																																																																																																																																																																																																																																																																																																																														
						73				32		30		28		26						19	18																																																																																																																																																																																																																																																																																																																																																																																																																																																																																																																																																																																																																																																																																																																																																																																																																																																																																			
															12		10							3																																																																																																																																																																																																																																																																																																																																																																																																																																																																																																																																																																																																																																																																																																																																																																																																																																																																																		
AVAILABLE	NOT APPLICABLE	34566-5743	0	A	BLACK		71	70	69				64	63			60	59		57	56	55	54	53	52	51		49			45	44	43	42	41									37	36		34							73				32		30		28		26						19	18																	12		10							3			AVAILABLE	NOT APPLICABLE	34566-5753	0	A	BLACK		71	70	69				64	63			60	59		57	56	55	54	53	52	51		49			45	44	43	42	41									37	36		34							73				32		30		28		26						19	18																	12		10							3			AVAILABLE	NOT APPLICABLE	34566-5763	0	C	BLUE	72		70		68		66			63	62			59		57				53	52	51			48	47	46		44		42		40	39			37	36				34	33							73				32		30		27	26	25	24		22	21	20																			10		9	8		6	5	4		2			AVAILABLE	NOT APPLICABLE	34566-5773	0	C	BLUE	72		70		68				63	62			59	58	57					53	52	51			48	47		44		42		40	39			37	36					34	33							73				32		30		27	26	25	24		22	21	20			17																		8		6	5	4		2		1																																																																																																																																																																																																																																																																																																																																																																																																																																																																																										
						52	51		49			45	44	43	42	41									37	36		34																																																																																																																																																																																																																																																																																																																																																																																																																																																																																																																																																																																																																																																																																																																																																																																																																																																																														
						73				32		30		28		26						19	18																																																																																																																																																																																																																																																																																																																																																																																																																																																																																																																																																																																																																																																																																																																																																																																																																																																																																			
															12		10							3																																																																																																																																																																																																																																																																																																																																																																																																																																																																																																																																																																																																																																																																																																																																																																																																																																																																																		
AVAILABLE	NOT APPLICABLE	34566-5753	0	A	BLACK		71	70	69				64	63			60	59		57	56	55	54	53	52	51		49			45	44	43	42	41									37	36		34							73				32		30		28		26						19	18																	12		10							3			AVAILABLE	NOT APPLICABLE	34566-5763	0	C	BLUE	72		70		68		66			63	62			59		57				53	52	51			48	47	46		44		42		40	39			37	36				34	33							73				32		30		27	26	25	24		22	21	20																			10		9	8		6	5	4		2			AVAILABLE	NOT APPLICABLE	34566-5773	0	C	BLUE	72		70		68				63	62			59	58	57					53	52	51			48	47		44		42		40	39			37	36					34	33							73				32		30		27	26	25	24		22	21	20			17																		8		6	5	4		2		1																																																																																																																																																																																																																																																																																																																																																																																																																																																																																																																																																																																														
						52	51		49			45	44	43	42	41									37	36		34																																																																																																																																																																																																																																																																																																																																																																																																																																																																																																																																																																																																																																																																																																																																																																																																																																																																														
						73				32		30		28		26						19	18																																																																																																																																																																																																																																																																																																																																																																																																																																																																																																																																																																																																																																																																																																																																																																																																																																																																																			
															12		10							3																																																																																																																																																																																																																																																																																																																																																																																																																																																																																																																																																																																																																																																																																																																																																																																																																																																																																		
AVAILABLE	NOT APPLICABLE	34566-5763	0	C	BLUE	72		70		68		66			63	62			59		57				53	52	51			48	47	46		44		42		40	39			37	36				34	33							73				32		30		27	26	25	24		22	21	20																			10		9	8		6	5	4		2			AVAILABLE	NOT APPLICABLE	34566-5773	0	C	BLUE	72		70		68				63	62			59	58	57					53	52	51			48	47		44		42		40	39			37	36					34	33							73				32		30		27	26	25	24		22	21	20			17																		8		6	5	4		2		1																																																																																																																																																																																																																																																																																																																																																																																																																																																																																																																																																																																																																																																																																																		
						52	51			48	47	46		44		42		40	39			37	36				34	33																																																																																																																																																																																																																																																																																																																																																																																																																																																																																																																																																																																																																																																																																																																																																																																																																																																																														
						73				32		30		27	26	25	24		22	21	20																																																																																																																																																																																																																																																																																																																																																																																																																																																																																																																																																																																																																																																																																																																																																																																																																																																																																					
															10		9	8		6	5	4		2																																																																																																																																																																																																																																																																																																																																																																																																																																																																																																																																																																																																																																																																																																																																																																																																																																																																																		
AVAILABLE	NOT APPLICABLE	34566-5773	0	C	BLUE	72		70		68				63	62			59	58	57					53	52	51			48	47		44		42		40	39			37	36					34	33							73				32		30		27	26	25	24		22	21	20			17																		8		6	5	4		2		1																																																																																																																																																																																																																																																																																																																																																																																																																																																																																																																																																																																																																																																																																																																																																																																																							
						52	51			48	47		44		42		40	39			37	36					34	33																																																																																																																																																																																																																																																																																																																																																																																																																																																																																																																																																																																																																																																																																																																																																																																																																																																																														
						73				32		30		27	26	25	24		22	21	20			17																																																																																																																																																																																																																																																																																																																																																																																																																																																																																																																																																																																																																																																																																																																																																																																																																																																																																		
																	8		6	5	4		2		1																																																																																																																																																																																																																																																																																																																																																																																																																																																																																																																																																																																																																																																																																																																																																																																																																																																																																	

QUALITY SYMBOLS	THIS DRAWING CONTAINS INFORMATION THAT IS PROPRIETARY TO MOLEX ELECTRONIC TECHNOLOGIES, LLC AND SHOULD NOT BE USED WITHOUT WRITTEN PERMISSION										
= 0	EC NO: 115716 DRWN: TYE CHKD: REV APPR: JDENG02 2017/04/12 2017/04/21	GENERAL TOLERANCES (UNLESS SPECIFIED)	DIMENSION UNITS	SCALE				MX123 66/73/80CKT HRNS CONN ASSY PRODUCT CUSTOMER DRAWING			
= 0		ANGULAR TOL ± °	MM	1:1							
= 0		= 0	4 PLACES ±	DRWN BY	DATE	SKRAJENDRANA 2011/02/14					
= 0		= 0	3 PLACES ±	CHKD BY	DATE	MVANSLAMBROU 2011/02/14					
= 0		= 0	2 PLACES ±	APPR BY	DATE	DRAWING SIZE: D THIRD ANGLE PROJECTION					
= 0		= 0	1 PLACE ±								
= 0		= 0	0 PLACES ±								
= 0	DRAFT WHERE APPLICABLE MUST REMAIN WITHIN DIMENSIONS										
= 0	G50	SERIES: 34566		MATERIAL NUMBER: SEE BOM TABLE		CUSTOMER: GENERAL MARKET					
RELEASE STATUS		RELEASE DATE		DOCUMENT NUMBER: SD-34566-001		DOC TYPE: PSD		DOC PART: 000		SHEET NUMBER: 64 OF 93	

STATUS	GM PART #	MATERIAL #	WIRE DRESS OPTION	KEY OPTION	COLOR (TPA)	NUMBERS INDICATE CAVITIES OPEN FOR CIRCUITS F <sub>P</sub>																																																																																																									
AVAILABLE	NOT APPLICABLE	34566-5783	0	C	BLUE	<table border="1"> <tr><td>72</td><td></td><td>70</td><td></td><td></td><td></td><td></td><td></td><td></td><td></td><td>63</td><td>62</td><td></td><td></td><td></td><td>59</td><td>57</td><td></td><td></td><td></td><td></td><td></td><td>53</td></tr> <tr><td>52</td><td>51</td><td></td><td></td><td></td><td>48</td><td>47</td><td></td><td></td><td>44</td><td></td><td>42</td><td></td><td></td><td>40</td><td>39</td><td></td><td></td><td>37</td><td>36</td><td></td><td></td><td>34</td><td>33</td></tr> <tr><td colspan="2"></td><td colspan="2">73</td><td></td><td></td><td>32</td><td></td><td>30</td><td></td><td></td><td>27</td><td>26</td><td>25</td><td>24</td><td></td><td></td><td>22</td><td>21</td><td>20</td><td></td><td></td><td></td><td></td></tr> <tr><td colspan="2"></td><td colspan="2"></td><td></td><td></td><td></td><td>15</td><td>14</td><td>13</td><td></td><td></td><td></td><td></td><td>8</td><td></td><td>6</td><td>5</td><td>4</td><td></td><td></td><td></td><td></td><td>2</td></tr> </table>	72		70								63	62				59	57						53	52	51				48	47			44		42			40	39			37	36			34	33			73				32		30			27	26	25	24			22	21	20												15	14	13					8		6	5	4					2										
72		70								63	62				59	57						53																																																																																									
52	51				48	47			44		42			40	39			37	36			34	33																																																																																								
		73				32		30			27	26	25	24			22	21	20																																																																																												
							15	14	13					8		6	5	4					2																																																																																								
G28 AVAILABLE	NOT APPLICABLE	34566-5793 SAME AS P/N 34566-4013	0	B	ST.GRAY	<table border="1"> <tr><td>72</td><td></td><td>70</td><td></td><td></td><td></td><td></td><td></td><td></td><td></td><td></td><td></td><td></td><td></td><td></td><td>60</td><td>59</td><td></td><td></td><td></td><td></td><td></td><td>55</td><td>54</td><td>53</td></tr> <tr><td>52</td><td></td><td>50</td><td></td><td></td><td>48</td><td>46</td><td></td><td></td><td></td><td></td><td></td><td></td><td></td><td>40</td><td>39</td><td></td><td></td><td></td><td></td><td></td><td></td><td>35</td><td>34</td><td>33</td></tr> <tr><td colspan="2"></td><td colspan="2">73</td><td></td><td></td><td>32</td><td>31</td><td>30</td><td>29</td><td>28</td><td>27</td><td>26</td><td>25</td><td>24</td><td></td><td></td><td></td><td></td><td></td><td></td><td></td><td></td><td></td><td>17</td></tr> <tr><td colspan="2"></td><td colspan="2"></td><td></td><td></td><td></td><td>16</td><td></td><td></td><td></td><td></td><td>10</td><td>8</td><td></td><td></td><td></td><td></td><td></td><td></td><td></td><td></td><td></td><td>2</td><td>1</td></tr> </table>	72		70													60	59						55	54	53	52		50			48	46								40	39							35	34	33			73				32	31	30	29	28	27	26	25	24										17								16					10	8										2	1					
72		70													60	59						55	54	53																																																																																							
52		50			48	46								40	39							35	34	33																																																																																							
		73				32	31	30	29	28	27	26	25	24										17																																																																																							
							16					10	8										2	1																																																																																							
AVAILABLE	NOT APPLICABLE	34566-5813	0	B	ST.GRAY	<table border="1"> <tr><td>72</td><td></td><td>70</td><td></td><td></td><td></td><td></td><td></td><td></td><td></td><td></td><td></td><td></td><td></td><td></td><td>60</td><td>59</td><td></td><td></td><td></td><td></td><td></td><td>55</td><td>54</td><td>53</td></tr> <tr><td>52</td><td></td><td>50</td><td></td><td></td><td>48</td><td>46</td><td></td><td></td><td></td><td></td><td></td><td></td><td></td><td>40</td><td>39</td><td></td><td></td><td></td><td></td><td></td><td></td><td>35</td><td>34</td><td>33</td></tr> <tr><td colspan="2"></td><td colspan="2">73</td><td></td><td></td><td>32</td><td>31</td><td>30</td><td>29</td><td>28</td><td>27</td><td>26</td><td>25</td><td>24</td><td>23</td><td></td><td></td><td></td><td></td><td></td><td></td><td>19</td><td>18</td><td>17</td></tr> <tr><td colspan="2"></td><td colspan="2"></td><td></td><td></td><td></td><td>16</td><td></td><td></td><td></td><td></td><td>10</td><td>8</td><td>7</td><td></td><td></td><td></td><td></td><td></td><td></td><td></td><td></td><td>2</td><td>1</td></tr> </table>	72		70													60	59						55	54	53	52		50			48	46								40	39							35	34	33			73				32	31	30	29	28	27	26	25	24	23							19	18	17								16					10	8	7									2	1					
72		70													60	59						55	54	53																																																																																							
52		50			48	46								40	39							35	34	33																																																																																							
		73				32	31	30	29	28	27	26	25	24	23							19	18	17																																																																																							
							16					10	8	7									2	1																																																																																							
AVAILABLE	NOT APPLICABLE	34566-5823	0	A	BLACK	<table border="1"> <tr><td>72</td><td></td><td>70</td><td></td><td></td><td></td><td></td><td></td><td></td><td></td><td></td><td></td><td></td><td></td><td></td><td>63</td><td></td><td></td><td></td><td></td><td></td><td></td><td></td><td></td><td></td></tr> <tr><td>52</td><td></td><td></td><td>49</td><td></td><td></td><td></td><td></td><td></td><td></td><td></td><td></td><td></td><td></td><td>43</td><td>41</td><td></td><td></td><td></td><td></td><td></td><td></td><td></td><td></td><td></td></tr> <tr><td colspan="2"></td><td colspan="2">73</td><td></td><td></td><td></td><td></td><td>31</td><td>30</td><td></td><td>28</td><td>27</td><td>26</td><td></td><td></td><td></td><td>23</td><td></td><td></td><td></td><td></td><td>20</td><td>19</td><td></td></tr> <tr><td colspan="2"></td><td colspan="2"></td><td></td><td></td><td></td><td></td><td>16</td><td>15</td><td>14</td><td></td><td></td><td></td><td>10</td><td></td><td></td><td></td><td></td><td></td><td></td><td></td><td></td><td></td><td></td></tr> </table>	72		70													63										52			49											43	41												73						31	30		28	27	26				23					20	19										16	15	14				10															
72		70													63																																																																																																
52			49											43	41																																																																																																
		73						31	30		28	27	26				23					20	19																																																																																								
								16	15	14				10																																																																																																	
AVAILABLE	NOT APPLICABLE	34566-5833	0	A	BLACK	<table border="1"> <tr><td>72</td><td></td><td>70</td><td></td><td></td><td></td><td></td><td></td><td></td><td></td><td></td><td></td><td></td><td></td><td></td><td>63</td><td></td><td></td><td></td><td></td><td></td><td></td><td></td><td></td><td></td></tr> <tr><td>52</td><td></td><td></td><td>49</td><td></td><td></td><td></td><td></td><td></td><td></td><td></td><td></td><td></td><td></td><td>43</td><td>41</td><td></td><td></td><td></td><td></td><td></td><td></td><td></td><td></td><td></td></tr> <tr><td colspan="2"></td><td colspan="2">73</td><td></td><td></td><td></td><td></td><td>31</td><td>30</td><td></td><td>28</td><td>27</td><td>26</td><td></td><td></td><td></td><td>23</td><td></td><td></td><td></td><td></td><td>20</td><td>19</td><td></td></tr> <tr><td colspan="2"></td><td colspan="2"></td><td></td><td></td><td></td><td></td><td>16</td><td>15</td><td>14</td><td></td><td>12</td><td>10</td><td></td><td></td><td></td><td></td><td></td><td></td><td></td><td></td><td></td><td></td><td></td></tr> </table>	72		70													63										52			49											43	41												73						31	30		28	27	26				23					20	19										16	15	14		12	10																
72		70													63																																																																																																
52			49											43	41																																																																																																
		73						31	30		28	27	26				23					20	19																																																																																								
								16	15	14		12	10																																																																																																		
AVAILABLE	NOT APPLICABLE	34566-5843	0	H	ST.GRAY	<table border="1"> <tr><td></td><td>79</td><td></td><td></td><td></td><td></td><td></td><td></td><td></td><td></td><td>74</td><td>73</td><td>72</td><td>71</td><td></td><td></td><td>68</td><td>67</td><td></td><td></td><td>65</td><td>64</td><td>63</td><td>62</td><td>61</td></tr> <tr><td></td><td>59</td><td></td><td>57</td><td></td><td></td><td></td><td></td><td></td><td></td><td>54</td><td>52</td><td></td><td></td><td></td><td></td><td></td><td></td><td></td><td></td><td></td><td></td><td></td><td></td><td>42</td><td>41</td></tr> <tr><td></td><td></td><td></td><td>38</td><td></td><td></td><td></td><td></td><td></td><td></td><td>34</td><td>33</td><td></td><td></td><td></td><td>29</td><td></td><td>27</td><td></td><td></td><td>25</td><td></td><td></td><td></td><td></td></tr> <tr><td></td><td></td><td></td><td></td><td></td><td></td><td></td><td></td><td></td><td></td><td>15</td><td>14</td><td></td><td></td><td>11</td><td>10</td><td>9</td><td>8</td><td>7</td><td></td><td></td><td></td><td></td><td></td><td></td></tr> </table>		79									74	73	72	71			68	67			65	64	63	62	61		59		57							54	52													42	41				38							34	33				29		27			25															15	14			11	10	9	8	7										
	79									74	73	72	71			68	67			65	64	63	62	61																																																																																							
	59		57							54	52													42	41																																																																																						
			38							34	33				29		27			25																																																																																											
										15	14			11	10	9	8	7																																																																																													
AVAILABLE	NOT APPLICABLE	34566-5853	0	H	ST.GRAY	<table border="1"> <tr><td></td><td>79</td><td></td><td></td><td></td><td></td><td></td><td></td><td></td><td></td><td>74</td><td>73</td><td>72</td><td>71</td><td></td><td></td><td>68</td><td>67</td><td></td><td></td><td>65</td><td>64</td><td>63</td><td>62</td><td>61</td></tr> <tr><td></td><td>59</td><td></td><td>57</td><td></td><td></td><td></td><td></td><td></td><td></td><td>54</td><td>52</td><td></td><td></td><td></td><td></td><td></td><td></td><td></td><td></td><td></td><td></td><td></td><td></td><td>43</td><td>42</td><td>41</td></tr> <tr><td></td><td></td><td></td><td>38</td><td></td><td></td><td></td><td></td><td></td><td></td><td></td><td>33</td><td></td><td></td><td></td><td>29</td><td></td><td>27</td><td></td><td></td><td>25</td><td></td><td></td><td></td><td></td></tr> <tr><td></td><td></td><td></td><td></td><td></td><td></td><td></td><td></td><td></td><td></td><td>15</td><td>14</td><td></td><td></td><td>11</td><td>10</td><td>9</td><td>8</td><td>7</td><td></td><td></td><td></td><td></td><td></td><td></td></tr> </table>		79									74	73	72	71			68	67			65	64	63	62	61		59		57							54	52													43	42	41				38								33				29		27			25															15	14			11	10	9	8	7									
	79									74	73	72	71			68	67			65	64	63	62	61																																																																																							
	59		57							54	52													43	42	41																																																																																					
			38								33				29		27			25																																																																																											
										15	14			11	10	9	8	7																																																																																													
AVAILABLE	NOT APPLICABLE	34566-5863	0	C	BLUE	<table border="1"> <tr><td>72</td><td></td><td>70</td><td></td><td></td><td></td><td></td><td></td><td></td><td></td><td>66</td><td></td><td></td><td></td><td></td><td>63</td><td>62</td><td></td><td></td><td></td><td>59</td><td>57</td><td>56</td><td>55</td><td></td><td>53</td></tr> <tr><td>52</td><td>51</td><td></td><td></td><td></td><td></td><td></td><td></td><td></td><td></td><td>46</td><td>44</td><td></td><td></td><td></td><td>42</td><td></td><td></td><td></td><td>40</td><td>39</td><td></td><td>37</td><td>36</td><td></td><td>34</td><td>33</td></tr> <tr><td colspan="2"></td><td colspan="2">73</td><td></td><td></td><td></td><td></td><td></td><td></td><td></td><td>32</td><td>30</td><td></td><td></td><td></td><td>26</td><td>25</td><td></td><td></td><td>22</td><td>21</td><td></td><td>19</td><td>18</td><td></td></tr> <tr><td colspan="2"></td><td colspan="2"></td><td></td><td></td><td></td><td></td><td></td><td></td><td></td><td></td><td>15</td><td>14</td><td></td><td></td><td>10</td><td>9</td><td></td><td></td><td>6</td><td></td><td></td><td>3</td><td></td><td></td></tr> </table>	72		70								66					63	62				59	57	56	55		53	52	51									46	44				42				40	39		37	36		34	33			73									32	30				26	25			22	21		19	18														15	14			10	9			6			3		
72		70								66					63	62				59	57	56	55		53																																																																																						
52	51									46	44				42				40	39		37	36		34	33																																																																																					
		73									32	30				26	25			22	21		19	18																																																																																							
												15	14			10	9			6			3																																																																																								
AVAILABLE	NOT APPLICABLE	34566-5873	0	B	ST.GRAY	<table border="1"> <tr><td>72</td><td></td><td></td><td></td><td></td><td></td><td></td><td></td><td></td><td></td><td></td><td></td><td></td><td></td><td></td><td>62</td><td>61</td><td></td><td></td><td></td><td></td><td></td><td></td><td></td><td></td><td></td></tr> <tr><td>52</td><td></td><td></td><td></td><td></td><td></td><td>48</td><td>47</td><td>46</td><td></td><td></td><td>44</td><td>43</td><td></td><td></td><td></td><td>41</td><td>40</td><td></td><td></td><td></td><td></td><td></td><td></td><td></td><td></td></tr> <tr><td colspan="2"></td><td colspan="2">73</td><td></td><td></td><td></td><td></td><td></td><td></td><td></td><td></td><td></td><td></td><td></td><td></td><td></td><td></td><td></td><td></td><td></td><td></td><td></td><td>20</td><td>19</td><td>18</td></tr> <tr><td colspan="2"></td><td colspan="2"></td><td></td><td></td><td></td><td></td><td></td><td></td><td></td><td></td><td></td><td></td><td></td><td></td><td></td><td></td><td></td><td></td><td></td><td></td><td></td><td></td><td>4</td><td></td></tr> </table>	72															62	61										52						48	47	46			44	43				41	40											73																					20	19	18																									4		
72															62	61																																																																																															
52						48	47	46			44	43				41	40																																																																																														
		73																					20	19	18																																																																																						
																								4																																																																																							

<b>QUALITY SYMBOLS</b> 	THIS DRAWING CONTAINS INFORMATION THAT IS PROPRIETARY TO MOLEX ELECTRONIC TECHNOLOGIES, LLC AND SHOULD NOT BE USED WITHOUT WRITTEN PERMISSION										
	2017/04/12	2017/04/21	GENERAL TOLERANCES (UNLESS SPECIFIED)		DIMENSION UNITS	SCALE					
	DRWN: TYE	CHKD: JDENG02	ANGULAR TOL ± °		MM	1:1					
	REV: APPR: JDENG02	EC NO: 115716	4 PLACES ±	SKRAJENDRANA	DATE	2011/02/14					
			3 PLACES ±	CHKD BY	DATE						
			2 PLACES ±	MVANSLAMBROU	DATE	2011/02/14					
			1 PLACE ±	APPR BY	DATE						
			0 PLACES ±	DRAFT WHERE APPLICABLE MUST REMAIN WITHIN DIMENSIONS		DRAWING SIZE					THIRD ANGLE PROJECTION
				D							

STATUS	GM PART #	MATERIAL #	WIRE DRESS OPTION	KEY OPTION	COLOR (TPA)	NUMBERS INDICATE CAVITIES OPEN FOR CIRCUITS F <sub>P</sub>																																																																																																																																																																																																																																																																																			
AVAILABLE	NOT APPLICABLE	34566-5883	0	B	ST.GRAY	<table border="1"> <tr><td>72</td><td></td><td></td><td></td><td></td><td></td><td></td><td></td><td></td><td></td><td></td><td>62</td><td>61</td><td></td><td></td><td></td><td></td><td></td><td></td><td></td><td></td><td></td><td></td><td></td><td></td></tr> <tr><td>52</td><td></td><td></td><td></td><td></td><td></td><td></td><td></td><td></td><td></td><td></td><td></td><td></td><td></td><td></td><td></td><td></td><td></td><td></td><td></td><td></td><td></td><td></td><td></td><td></td><td></td></tr> <tr><td></td><td></td><td></td><td></td><td></td><td></td><td></td><td></td><td></td><td></td><td></td><td></td><td></td><td></td><td></td><td></td><td></td><td></td><td></td><td></td><td></td><td></td><td></td><td>20</td><td>19</td><td>18</td></tr> <tr><td></td><td></td><td></td><td></td><td></td><td></td><td>73</td><td></td><td></td><td></td><td></td><td></td><td></td><td></td><td></td><td></td><td></td><td></td><td></td><td></td><td></td><td></td><td></td><td>4</td><td></td><td></td></tr> <tr><td></td><td></td><td></td><td></td><td></td><td></td><td></td><td></td><td></td><td></td><td></td><td></td><td></td><td></td><td></td><td></td><td></td><td></td><td></td><td></td><td></td><td></td><td></td><td></td><td></td><td></td></tr> <tr><td></td><td></td><td></td><td></td><td></td><td></td><td></td><td></td><td></td><td></td><td></td><td></td><td></td><td></td><td></td><td></td><td></td><td></td><td></td><td></td><td></td><td></td><td></td><td></td><td></td><td></td></tr> <tr><td></td><td></td><td></td><td></td><td></td><td></td><td></td><td></td><td></td><td></td><td></td><td></td><td></td><td></td><td></td><td></td><td></td><td></td><td></td><td></td><td></td><td></td><td></td><td></td><td></td><td></td></tr> <tr><td></td><td></td><td></td><td></td><td></td><td></td><td></td><td></td><td></td><td></td><td></td><td></td><td></td><td></td><td></td><td></td><td></td><td></td><td></td><td></td><td></td><td></td><td></td><td></td><td></td><td></td></tr> <tr><td></td><td></td><td></td><td></td><td></td><td></td><td></td><td></td><td></td><td></td><td></td><td></td><td></td><td></td><td></td><td></td><td></td><td></td><td></td><td></td><td></td><td></td><td></td><td></td><td></td><td></td></tr> <tr><td></td><td></td><td></td><td></td><td></td><td></td><td></td><td></td><td></td><td></td><td></td><td></td><td></td><td></td><td></td><td></td><td></td><td></td><td></td><td></td><td></td><td></td><td></td><td></td><td></td><td></td></tr> </table>	72											62	61													52																																																	20	19	18							73																	4																																																																																																																																																																														
72											62	61																																																																																																																																																																																																																																																																													
52																																																																																																																																																																																																																																																																																									
																							20	19	18																																																																																																																																																																																																																																																																
						73																	4																																																																																																																																																																																																																																																																		
AVAILABLE	NOT APPLICABLE	34566-5893	0	C	BLUE	<table border="1"> <tr><td></td><td></td><td></td><td>69</td><td></td><td>67</td><td>66</td><td></td><td></td><td></td><td></td><td>62</td><td></td><td>60</td><td></td><td></td><td></td><td>57</td><td></td><td>55</td><td>54</td><td></td><td></td><td></td><td></td></tr> <tr><td>52</td><td>51</td><td>50</td><td></td><td></td><td>48</td><td>47</td><td>46</td><td>45</td><td>44</td><td></td><td>42</td><td></td><td></td><td></td><td></td><td></td><td>37</td><td></td><td>35</td><td>34</td><td>33</td><td></td><td></td><td></td></tr> <tr><td></td><td></td><td></td><td></td><td></td><td></td><td></td><td></td><td></td><td></td><td>32</td><td></td><td></td><td></td><td></td><td></td><td>28</td><td>27</td><td>26</td><td></td><td></td><td></td><td>19</td><td>18</td><td></td></tr> <tr><td></td><td></td><td></td><td></td><td></td><td></td><td></td><td></td><td></td><td></td><td></td><td></td><td></td><td></td><td></td><td></td><td></td><td></td><td></td><td></td><td></td><td></td><td></td><td></td><td></td></tr> <tr><td></td><td></td><td></td><td></td><td></td><td></td><td></td><td></td><td></td><td></td><td></td><td></td><td></td><td></td><td></td><td></td><td></td><td></td><td></td><td></td><td></td><td></td><td></td><td></td><td></td></tr> <tr><td></td><td></td><td></td><td></td><td></td><td></td><td></td><td></td><td></td><td></td><td></td><td></td><td></td><td></td><td></td><td></td><td></td><td></td><td></td><td></td><td></td><td></td><td></td><td></td><td></td></tr> <tr><td></td><td></td><td></td><td></td><td></td><td></td><td></td><td></td><td></td><td></td><td></td><td></td><td></td><td></td><td></td><td></td><td></td><td></td><td></td><td></td><td></td><td></td><td></td><td></td><td></td></tr> <tr><td></td><td></td><td></td><td></td><td></td><td></td><td></td><td></td><td></td><td></td><td></td><td></td><td></td><td></td><td></td><td></td><td></td><td></td><td></td><td></td><td></td><td></td><td></td><td></td><td></td></tr> <tr><td></td><td></td><td></td><td></td><td></td><td></td><td></td><td></td><td></td><td></td><td></td><td></td><td></td><td></td><td></td><td></td><td></td><td></td><td></td><td></td><td></td><td></td><td></td><td></td><td></td></tr> <tr><td></td><td></td><td></td><td></td><td></td><td></td><td></td><td></td><td></td><td></td><td></td><td></td><td></td><td></td><td></td><td></td><td></td><td></td><td></td><td></td><td></td><td></td><td></td><td></td><td></td></tr> <tr><td></td><td></td><td></td><td></td><td></td><td></td><td></td><td></td><td></td><td></td><td></td><td></td><td></td><td></td><td></td><td></td><td></td><td></td><td></td><td></td><td></td><td></td><td></td><td></td><td></td></tr> </table>				69		67	66					62		60				57		55	54					52	51	50			48	47	46	45	44		42						37		35	34	33														32						28	27	26				19	18																																																																																																																																																																																																									
			69		67	66					62		60				57		55	54																																																																																																																																																																																																																																																																					
52	51	50			48	47	46	45	44		42						37		35	34	33																																																																																																																																																																																																																																																																				
										32						28	27	26				19	18																																																																																																																																																																																																																																																																		
AVAILABLE	NOT APPLICABLE	34566-5913	0	C	BLUE	<table border="1"> <tr><td></td><td></td><td></td><td>69</td><td></td><td>67</td><td>66</td><td></td><td>64</td><td></td><td></td><td>61</td><td>60</td><td></td><td></td><td></td><td></td><td>57</td><td></td><td></td><td></td><td>54</td><td></td><td></td><td></td></tr> <tr><td>52</td><td>51</td><td>50</td><td>49</td><td></td><td>48</td><td>47</td><td>46</td><td>45</td><td>44</td><td></td><td>41</td><td></td><td></td><td></td><td></td><td></td><td>37</td><td></td><td></td><td></td><td>34</td><td>33</td><td></td><td></td></tr> <tr><td></td><td></td><td></td><td></td><td></td><td></td><td></td><td></td><td></td><td></td><td>32</td><td></td><td></td><td></td><td></td><td></td><td>28</td><td>27</td><td>25</td><td></td><td></td><td></td><td>18</td><td></td><td></td></tr> <tr><td></td><td></td><td></td><td></td><td></td><td></td><td></td><td></td><td></td><td></td><td></td><td></td><td></td><td></td><td></td><td></td><td></td><td></td><td></td><td></td><td></td><td></td><td></td><td></td><td></td></tr> <tr><td></td><td></td><td></td><td></td><td></td><td></td><td></td><td></td><td></td><td></td><td></td><td></td><td></td><td></td><td></td><td></td><td></td><td></td><td></td><td></td><td></td><td></td><td></td><td></td><td></td></tr> <tr><td></td><td></td><td></td><td></td><td></td><td></td><td></td><td></td><td></td><td></td><td></td><td></td><td></td><td></td><td></td><td></td><td></td><td></td><td></td><td></td><td></td><td></td><td></td><td></td><td></td></tr> <tr><td></td><td></td><td></td><td></td><td></td><td></td><td></td><td></td><td></td><td></td><td></td><td></td><td></td><td></td><td></td><td></td><td></td><td></td><td></td><td></td><td></td><td></td><td></td><td></td><td></td></tr> <tr><td></td><td></td><td></td><td></td><td></td><td></td><td></td><td></td><td></td><td></td><td></td><td></td><td></td><td></td><td></td><td></td><td></td><td></td><td></td><td></td><td></td><td></td><td></td><td></td><td></td></tr> <tr><td></td><td></td><td></td><td></td><td></td><td></td><td></td><td></td><td></td><td></td><td></td><td></td><td></td><td></td><td></td><td></td><td></td><td></td><td></td><td></td><td></td><td></td><td></td><td></td><td></td></tr> <tr><td></td><td></td><td></td><td></td><td></td><td></td><td></td><td></td><td></td><td></td><td></td><td></td><td></td><td></td><td></td><td></td><td></td><td></td><td></td><td></td><td></td><td></td><td></td><td></td><td></td></tr> </table>				69		67	66		64			61	60					57				54				52	51	50	49		48	47	46	45	44		41						37				34	33													32						28	27	25				18																																																																																																																																																																																																										
			69		67	66		64			61	60					57				54																																																																																																																																																																																																																																																																				
52	51	50	49		48	47	46	45	44		41						37				34	33																																																																																																																																																																																																																																																																			
										32						28	27	25				18																																																																																																																																																																																																																																																																			
AVAILABLE	NOT APPLICABLE	34566-5933	0	C	BLUE	<table border="1"> <tr><td>72</td><td></td><td>70</td><td></td><td></td><td>68</td><td></td><td>66</td><td></td><td></td><td></td><td>63</td><td>62</td><td></td><td></td><td></td><td>59</td><td></td><td>57</td><td>56</td><td>55</td><td></td><td>53</td><td></td><td></td></tr> <tr><td>52</td><td>51</td><td></td><td></td><td></td><td>48</td><td>47</td><td>46</td><td></td><td>44</td><td></td><td>42</td><td></td><td></td><td>40</td><td>39</td><td></td><td></td><td></td><td></td><td></td><td></td><td>34</td><td>33</td><td></td></tr> <tr><td></td><td></td><td></td><td></td><td></td><td></td><td></td><td></td><td></td><td></td><td>32</td><td></td><td></td><td></td><td></td><td></td><td>26</td><td>25</td><td>23</td><td>22</td><td>21</td><td></td><td></td><td></td><td></td></tr> <tr><td></td><td></td><td></td><td></td><td></td><td></td><td></td><td></td><td></td><td></td><td></td><td></td><td></td><td></td><td></td><td></td><td></td><td></td><td></td><td></td><td></td><td></td><td></td><td></td><td></td></tr> <tr><td></td><td></td><td></td><td></td><td></td><td></td><td></td><td></td><td></td><td></td><td></td><td></td><td></td><td></td><td></td><td></td><td></td><td></td><td></td><td></td><td></td><td></td><td></td><td></td><td></td></tr> <tr><td></td><td></td><td></td><td></td><td></td><td></td><td></td><td></td><td></td><td></td><td></td><td></td><td></td><td></td><td></td><td></td><td></td><td></td><td></td><td></td><td></td><td></td><td></td><td></td><td></td></tr> <tr><td></td><td></td><td></td><td></td><td></td><td></td><td></td><td></td><td></td><td></td><td></td><td></td><td></td><td></td><td></td><td></td><td></td><td></td><td></td><td></td><td></td><td></td><td></td><td></td><td></td></tr> <tr><td></td><td></td><td></td><td></td><td></td><td></td><td></td><td></td><td></td><td></td><td></td><td></td><td></td><td></td><td></td><td></td><td></td><td></td><td></td><td></td><td></td><td></td><td></td><td></td><td></td></tr> <tr><td></td><td></td><td></td><td></td><td></td><td></td><td></td><td></td><td></td><td></td><td></td><td></td><td></td><td></td><td></td><td></td><td></td><td></td><td></td><td></td><td></td><td></td><td></td><td></td><td></td></tr> <tr><td></td><td></td><td></td><td></td><td></td><td></td><td></td><td></td><td></td><td></td><td></td><td></td><td></td><td></td><td></td><td></td><td></td><td></td><td></td><td></td><td></td><td></td><td></td><td></td><td></td></tr> </table>	72		70			68		66				63	62				59		57	56	55		53			52	51				48	47	46		44		42			40	39							34	33												32						26	25	23	22	21																																																																																																																																																																																																												
72		70			68		66				63	62				59		57	56	55		53																																																																																																																																																																																																																																																																			
52	51				48	47	46		44		42			40	39							34	33																																																																																																																																																																																																																																																																		
										32						26	25	23	22	21																																																																																																																																																																																																																																																																					
AVAILABLE	NOT APPLICABLE	34566-5943	0	C	BLUE	<table border="1"> <tr><td>72</td><td></td><td>70</td><td></td><td></td><td>68</td><td>67</td><td>66</td><td></td><td></td><td></td><td>63</td><td>62</td><td></td><td></td><td></td><td>59</td><td></td><td>57</td><td>56</td><td>55</td><td></td><td>53</td><td></td><td></td></tr> <tr><td>52</td><td>51</td><td></td><td>49</td><td></td><td>48</td><td>47</td><td>46</td><td></td><td>44</td><td></td><td>42</td><td></td><td></td><td>40</td><td>39</td><td></td><td></td><td></td><td></td><td></td><td></td><td>34</td><td>33</td><td></td></tr> <tr><td></td><td></td><td></td><td></td><td></td><td></td><td></td><td></td><td></td><td></td><td>32</td><td></td><td></td><td></td><td></td><td></td><td>27</td><td>26</td><td>25</td><td></td><td></td><td></td><td>22</td><td>21</td><td>20</td></tr> <tr><td></td><td></td><td></td><td></td><td></td><td></td><td></td><td></td><td></td><td></td><td></td><td></td><td></td><td></td><td></td><td></td><td></td><td></td><td></td><td></td><td></td><td></td><td></td><td></td><td></td></tr> <tr><td></td><td></td><td></td><td></td><td></td><td></td><td></td><td></td><td></td><td></td><td></td><td></td><td></td><td></td><td></td><td></td><td></td><td></td><td></td><td></td><td></td><td></td><td></td><td></td><td></td></tr> <tr><td></td><td></td><td></td><td></td><td></td><td></td><td></td><td></td><td></td><td></td><td></td><td></td><td></td><td></td><td></td><td></td><td></td><td></td><td></td><td></td><td></td><td></td><td></td><td></td><td></td></tr> <tr><td></td><td></td><td></td><td></td><td></td><td></td><td></td><td></td><td></td><td></td><td></td><td></td><td></td><td></td><td></td><td></td><td></td><td></td><td></td><td></td><td></td><td></td><td></td><td></td><td></td></tr> <tr><td></td><td></td><td></td><td></td><td></td><td></td><td></td><td></td><td></td><td></td><td></td><td></td><td></td><td></td><td></td><td></td><td></td><td></td><td></td><td></td><td></td><td></td><td></td><td></td><td></td></tr> <tr><td></td><td></td><td></td><td></td><td></td><td></td><td></td><td></td><td></td><td></td><td></td><td></td><td></td><td></td><td></td><td></td><td></td><td></td><td></td><td></td><td></td><td></td><td></td><td></td><td></td></tr> </table>	72		70			68	67	66				63	62				59		57	56	55		53			52	51		49		48	47	46		44		42			40	39							34	33												32						27	26	25				22	21	20																																																																																																																																																																																																								
72		70			68	67	66				63	62				59		57	56	55		53																																																																																																																																																																																																																																																																			
52	51		49		48	47	46		44		42			40	39							34	33																																																																																																																																																																																																																																																																		
										32						27	26	25				22	21	20																																																																																																																																																																																																																																																																	
AVAILABLE	NOT APPLICABLE	34566-5953	0	A	BLACK	<table border="1"> <tr><td></td><td></td><td>71</td><td>70</td><td>69</td><td></td><td></td><td></td><td></td><td></td><td></td><td>65</td><td>64</td><td>63</td><td>62</td><td>61</td><td>60</td><td></td><td></td><td>58</td><td>57</td><td>56</td><td>55</td><td>54</td><td>53</td></tr> <tr><td>52</td><td>51</td><td></td><td></td><td>49</td><td>48</td><td>47</td><td></td><td></td><td></td><td></td><td>45</td><td>44</td><td>43</td><td>42</td><td>41</td><td></td><td></td><td></td><td></td><td>37</td><td>36</td><td></td><td>34</td><td></td></tr> <tr><td></td><td></td><td></td><td></td><td></td><td></td><td></td><td></td><td></td><td></td><td></td><td></td><td></td><td></td><td></td><td></td><td></td><td></td><td></td><td></td><td></td><td></td><td></td><td></td><td></td></tr> <tr><td></td><td></td><td></td><td></td><td></td><td></td><td></td><td></td><td></td><td></td><td></td><td></td><td></td><td></td><td></td><td></td><td></td><td></td><td></td><td></td><td></td><td></td><td></td><td></td><td></td></tr> <tr><td></td><td></td><td></td><td></td><td></td><td></td><td></td><td></td><td></td><td></td><td></td><td></td><td></td><td></td><td></td><td></td><td></td><td></td><td></td><td></td><td></td><td></td><td></td><td></td><td></td></tr> <tr><td></td><td></td><td></td><td></td><td></td><td></td><td></td><td></td><td></td><td></td><td></td><td></td><td></td><td></td><td></td><td></td><td></td><td></td><td></td><td></td><td></td><td></td><td></td><td></td><td></td></tr> <tr><td></td><td></td><td></td><td></td><td></td><td></td><td></td><td></td><td></td><td></td><td></td><td></td><td></td><td></td><td></td><td></td><td></td><td></td><td></td><td></td><td></td><td></td><td></td><td></td><td></td></tr> <tr><td></td><td></td><td></td><td></td><td></td><td></td><td></td><td></td><td></td><td></td><td></td><td></td><td></td><td></td><td></td><td></td><td></td><td></td><td></td><td></td><td></td><td></td><td></td><td></td><td></td></tr> <tr><td></td><td></td><td></td><td></td><td></td><td></td><td></td><td></td><td></td><td></td><td></td><td></td><td></td><td></td><td></td><td></td><td></td><td></td><td></td><td></td><td></td><td></td><td></td><td></td><td></td></tr> <tr><td></td><td></td><td></td><td></td><td></td><td></td><td></td><td></td><td></td><td></td><td></td><td></td><td></td><td></td><td></td><td></td><td></td><td></td><td></td><td></td><td></td><td></td><td></td><td></td><td></td></tr> <tr><td></td><td></td><td></td><td></td><td></td><td></td><td></td><td></td><td></td><td></td><td></td><td></td><td></td><td></td><td></td><td></td><td></td><td></td><td></td><td></td><td></td><td></td><td></td><td></td><td></td></tr> </table>			71	70	69							65	64	63	62	61	60			58	57	56	55	54	53	52	51			49	48	47					45	44	43	42	41					37	36		34																																																																																																																																																																																																																																		
		71	70	69							65	64	63	62	61	60			58	57	56	55	54	53																																																																																																																																																																																																																																																																	
52	51			49	48	47					45	44	43	42	41					37	36		34																																																																																																																																																																																																																																																																		
AVAILABLE	NOT APPLICABLE	34566-5963	0	B	ST.GRAY	<table border="1"> <tr><td>72</td><td>71</td><td>70</td><td></td><td></td><td>68</td><td>67</td><td>66</td><td></td><td></td><td></td><td></td><td></td><td>62</td><td>61</td><td>60</td><td>59</td><td>58</td><td>57</td><td>56</td><td>55</td><td>54</td><td>53</td><td></td><td></td></tr> <tr><td>52</td><td>51</td><td>50</td><td></td><td></td><td>48</td><td>47</td><td>46</td><td></td><td></td><td></td><td></td><td></td><td>42</td><td>41</td><td>40</td><td>39</td><td>38</td><td>37</td><td>36</td><td>35</td><td>34</td><td>33</td><td></td><td></td></tr> <tr><td></td><td></td><td></td><td></td><td></td><td></td><td></td><td></td><td></td><td></td><td></td><td></td><td></td><td></td><td></td><td></td><td></td><td></td><td></td><td></td><td></td><td></td><td></td><td></td><td></td></tr> <tr><td></td><td></td><td></td><td></td><td></td><td></td><td></td><td></td><td></td><td></td><td></td><td></td><td></td><td></td><td></td><td></td><td></td><td></td><td></td><td></td><td></td><td></td><td></td><td>18</td><td></td></tr> <tr><td></td><td></td><td></td><td></td><td></td><td></td><td></td><td></td><td></td><td></td><td></td><td></td><td></td><td></td><td></td><td></td><td></td><td></td><td></td><td></td><td></td><td></td><td></td><td></td><td></td></tr> <tr><td></td><td></td><td></td><td></td><td></td><td></td><td></td><td></td><td></td><td></td><td></td><td></td><td></td><td></td><td></td><td></td><td></td><td></td><td></td><td></td><td></td><td></td><td></td><td></td><td></td></tr> <tr><td></td><td></td><td></td><td></td><td></td><td></td><td></td><td></td><td></td><td></td><td></td><td></td><td></td><td></td><td></td><td></td><td></td><td></td><td></td><td></td><td></td><td></td><td></td><td></td><td></td></tr> <tr><td></td><td></td><td></td><td></td><td></td><td></td><td></td><td></td><td></td><td></td><td></td><td></td><td></td><td></td><td></td><td></td><td></td><td></td><td></td><td></td><td></td><td></td><td></td><td></td><td></td></tr> <tr><td></td><td></td><td></td><td></td><td></td><td></td><td></td><td></td><td></td><td></td><td></td><td></td><td></td><td></td><td></td><td></td><td></td><td></td><td></td><td></td><td></td><td></td><td></td><td></td><td></td></tr> <tr><td></td><td></td><td></td><td></td><td></td><td></td><td></td><td></td><td></td><td></td><td></td><td></td><td></td><td></td><td></td><td></td><td></td><td></td><td></td><td></td><td></td><td></td><td></td><td></td><td></td></tr> </table>	72	71	70			68	67	66						62	61	60	59	58	57	56	55	54	53			52	51	50			48	47	46						42	41	40	39	38	37	36	35	34	33																																																			18																																																																																																																																																																																
72	71	70			68	67	66						62	61	60	59	58	57	56	55	54	53																																																																																																																																																																																																																																																																			
52	51	50			48	47	46						42	41	40	39	38	37	36	35	34	33																																																																																																																																																																																																																																																																			
																							18																																																																																																																																																																																																																																																																		
AVAILABLE	NOT APPLICABLE	34566-5973	0	C	BLUE	<table border="1"> <tr><td>72</td><td></td><td>70</td><td></td><td></td><td>68</td><td>67</td><td>66</td><td></td><td></td><td></td><td></td><td></td><td>63</td><td>62</td><td></td><td></td><td></td><td></td><td>59</td><td></td><td>57</td><td>56</td><td>55</td><td>54</td><td>53</td></tr> <tr><td>52</td><td>51</td><td></td><td></td><td></td><td>48</td><td>47</td><td>46</td><td></td><td></td><td></td><td></td><td></td><td>44</td><td>42</td><td></td><td>40</td><td>39</td><td></td><td></td><td></td><td></td><td></td><td>34</td><td>33</td></tr> <tr><td></td><td></td><td></td><td></td><td></td><td></td><td></td><td></td><td></td><td></td><td></td><td></td><td></td><td></td><td></td><td></td><td></td><td></td><td></td><td></td><td></td><td></td><td></td><td></td><td></td></tr> <tr><td></td><td></td><td></td><td></td><td></td><td></td><td></td><td></td><td></td><td></td><td></td><td></td><td></td><td></td><td></td><td></td><td></td><td></td><td></td><td></td><td></td><td></td><td></td><td></td><td></td></tr> <tr><td></td><td></td><td></td><td></td><td></td><td></td><td></td><td></td><td></td><td></td><td></td><td></td><td></td><td></td><td></td><td></td><td></td><td></td><td></td><td></td><td></td><td></td><td></td><td></td><td></td></tr> <tr><td></td><td></td><td></td><td></td><td></td><td></td><td></td><td></td><td></td><td></td><td></td><td></td><td></td><td></td><td></td><td></td><td></td><td></td><td></td><td></td><td></td><td></td><td></td><td></td><td></td></tr> <tr><td></td><td></td><td></td><td></td><td></td><td></td><td></td><td></td><td></td><td></td><td></td><td></td><td></td><td></td><td></td><td></td><td></td><td></td><td></td><td></td><td></td><td></td><td></td><td></td><td></td></tr> <tr><td></td><td></td><td></td><td></td><td></td><td></td><td></td><td></td><td></td><td></td><td></td><td></td><td></td><td></td><td></td><td></td><td></td><td></td><td></td><td></td><td></td><td></td><td></td><td></td><td></td></tr> <tr><td></td><td></td><td></td><td></td><td></td><td></td><td></td><td></td><td></td><td></td><td></td><td></td><td></td><td></td><td></td><td></td><td></td><td></td><td></td><td></td><td></td><td></td><td></td><td></td><td></td></tr> </table>	72		70			68	67	66						63	62					59		57	56	55	54	53	52	51				48	47	46						44	42		40	39						34	33																																																																																																																																																																																																																																
72		70			68	67	66						63	62					59		57	56	55	54	53																																																																																																																																																																																																																																																																
52	51				48	47	46						44	42		40	39						34	33																																																																																																																																																																																																																																																																	
AVAILABLE	NOT APPLICABLE	34566-5983	0	C	BLUE	<table border="1"> <tr><td></td><td></td><td></td><td>69</td><td></td><td>67</td><td>66</td><td></td><td>64</td><td></td><td></td><td>62</td><td></td><td>60</td><td></td><td></td><td></td><td></td><td>57</td><td></td><td>55</td><td>54</td><td></td><td></td><td></td></tr> <tr><td>52</td><td>51</td><td>50</td><td></td><td></td><td>48</td><td>47</td><td>46</td><td>45</td><td>44</td><td></td><td>42</td><td></td><td></td><td></td><td></td><td></td><td></td><td>37</td><td></td><td>35</td><td>34</td><td>33</td><td></td><td></td></tr> <tr><td></td><td></td><td></td><td></td><td></td><td></td><td></td><td></td><td></td><td></td><td></td><td></td><td></td><td></td><td></td><td></td><td></td><td></td><td></td><td></td><td></td><td></td><td></td><td></td><td></td></tr> <tr><td></td><td></td><td></td><td></td><td></td><td></td><td></td><td></td><td></td><td></td><td></td><td></td><td></td><td></td><td></td><td></td><td></td><td></td><td></td><td></td><td></td><td></td><td></td><td></td><td></td></tr> <tr><td></td><td></td><td></td><td></td><td></td><td></td><td></td><td></td><td></td><td></td><td></td><td></td><td></td><td></td><td></td><td></td><td></td><td></td><td></td><td></td><td></td><td></td><td></td><td></td><td></td></tr> <tr><td></td><td></td><td></td><td></td><td></td><td></td><td></td><td></td><td></td><td></td><td></td><td></td><td></td><td></td><td></td><td></td><td></td><td></td><td></td><td></td><td></td><td></td><td></td><td></td><td></td></tr> <tr><td></td><td></td><td></td><td></td><td></td><td></td><td></td><td></td><td></td><td></td><td></td><td></td><td></td><td></td><td></td><td></td><td></td><td></td><td></td><td></td><td></td><td></td><td></td><td></td><td></td></tr> <tr><td></td><td></td><td></td><td></td><td></td><td></td><td></td><td></td><td></td><td></td><td></td><td></td><td></td><td></td><td></td><td></td><td></td><td></td><td></td><td></td><td></td><td></td><td></td><td></td><td></td></tr> <tr><td></td><td></td><td></td><td></td><td></td><td></td><td></td><td></td><td></td><td></td><td></td><td></td><td></td><td></td><td></td><td></td><td></td><td></td><td></td><td></td><td></td><td></td><td></td><td></td><td></td></tr> </table>				69		67	66		64			62		60					57		55	54				52	51	50			48	47	46	45	44		42							37		35	34	33																																																																																																																																																																																																																																			
			69		67	66		64			62		60					57		55	54																																																																																																																																																																																																																																																																				
52	51	50			48	47	46	45	44		42							37		35	34	33																																																																																																																																																																																																																																																																			

QUALITY SYMBOLS F = 0 E = 0 P = 0 0 = 0 C = 0 X = 0 0 = 0 0 = 0	THIS DRAWING CONTAINS INFORMATION THAT IS PROPRIETARY TO MOLEX ELECTRONIC TECHNOLOGIES, LLC AND SHOULD NOT BE USED WITHOUT WRITTEN PERMISSION																											
	EC NO: 115716 DRWN: TYE CHKD: JDENG02 REV APPR:	2017/04/12 2017/04/21	GENERAL TOLERANCES (UNLESS SPECIFIED) ANGULAR TOL ± ° 4 PLACES ± 3 PLACES ± 2 PLACES ± 1 PLACE ± 0 PLACES ± DRAFT WHERE APPLICABLE MUST REMAIN WITHIN DIMENSIONS	DIMENSION UNITS <b>MM</b> SCALE 1:1	<table border="1"> <tr><td colspan="2">DRWN BY</td><td colspan="2">DATE</td></tr> <tr><td>SKRAJENDRANA</td><td></td><td>2011/02/14</td><td></td></tr> <tr><td colspan="2">CHKD BY</td><td colspan="2">DATE</td></tr> <tr><td>MVANSLAMBROU</td><td></td><td>2011/02/14</td><td></td></tr> <tr><td colspan="2">APPR BY</td><td colspan="2">DATE</td></tr> <tr><td></td><td></td><td></td><td></td></tr> </table>	DRWN BY		DATE		SKRAJENDRANA		2011/02/14		CHKD BY		DATE		MVANSLAMBROU		2011/02/14		APPR BY		DATE				
DRWN BY		DATE																										
SKRAJENDRANA		2011/02/14																										
CHKD BY		DATE																										
MVANSLAMBROU		2011/02/14																										
APPR BY		DATE																										
DRAWING SIZE <b>D</b>		THIRD ANGLE PROJECTION		 <b>MX123</b> <b>66/73/80CKT HRNS CONN ASSY</b> <b>PRODUCT CUSTOMER DRAWING</b> SERIES: <b>34566</b> MATERIAL NUMBER: <b>SEE BOM TABLE</b> CUSTOMER: <b>GENERAL MARKET</b>																								
DOCUMENT NUMBER <b>SD-34566-001</b>		DOC TYPE <b>PSD</b>			DOC PART <b>000</b>	SHEET NUMBER <b>66 OF 93</b>																						

STATUS	GM PART #	MATERIAL #	WIRE DRESS OPTION	KEY OPTION	COLOR (TPA)	NUMBERS INDICATE CAVITIES OPEN FOR CIRCUITS F <sub>P</sub>																																																																																	
AVAILABLE	NOT APPLICABLE	34566-5993	0	A	BLACK	<table border="1"> <tr><td></td><td>71</td><td>70</td><td>69</td><td></td><td>67</td><td>66</td><td>65</td><td></td><td>63</td><td>62</td><td>61</td><td>60</td><td></td><td>58</td><td>57</td><td>56</td><td>55</td><td>54</td><td>53</td></tr> <tr><td>52</td><td>51</td><td>50</td><td>49</td><td></td><td>47</td><td></td><td>45</td><td>44</td><td>43</td><td>42</td><td>41</td><td>40</td><td>39</td><td></td><td>37</td><td>36</td><td>35</td><td>34</td><td></td></tr> <tr><td colspan="3">73</td><td></td><td>32</td><td>31</td><td>30</td><td>29</td><td>28</td><td>27</td><td>26</td><td>25</td><td>24</td><td>23</td><td></td><td>21</td><td>20</td><td>19</td><td>18</td><td>17</td></tr> <tr><td colspan="3"></td><td></td><td>16</td><td>15</td><td>14</td><td>13</td><td>12</td><td>11</td><td>10</td><td>9</td><td>8</td><td></td><td>6</td><td>5</td><td></td><td>3</td><td></td><td>1</td></tr> </table>		71	70	69		67	66	65		63	62	61	60		58	57	56	55	54	53	52	51	50	49		47		45	44	43	42	41	40	39		37	36	35	34		73				32	31	30	29	28	27	26	25	24	23		21	20	19	18	17					16	15	14	13	12	11	10	9	8		6	5		3		1	
	71	70	69		67	66	65		63	62	61	60		58	57	56	55	54	53																																																																				
52	51	50	49		47		45	44	43	42	41	40	39		37	36	35	34																																																																					
73				32	31	30	29	28	27	26	25	24	23		21	20	19	18	17																																																																				
				16	15	14	13	12	11	10	9	8		6	5		3		1																																																																				
AVAILABLE	NOT APPLICABLE	34566-6013	0	B	ST.GRAY	<table border="1"> <tr><td></td><td></td><td></td><td>69</td><td></td><td>67</td><td></td><td>65</td><td></td><td></td><td>61</td><td>60</td><td>59</td><td>58</td><td>57</td><td></td><td></td><td></td><td>54</td><td>53</td></tr> <tr><td></td><td>51</td><td>50</td><td>49</td><td>48</td><td>47</td><td>46</td><td>45</td><td></td><td>43</td><td></td><td>40</td><td>39</td><td></td><td>37</td><td></td><td></td><td></td><td>34</td><td>33</td></tr> <tr><td colspan="3">73</td><td></td><td>32</td><td>31</td><td>30</td><td>29</td><td></td><td></td><td>26</td><td></td><td>24</td><td>23</td><td>22</td><td>21</td><td>20</td><td></td><td>18</td><td></td></tr> <tr><td colspan="3"></td><td></td><td>16</td><td>15</td><td>14</td><td>13</td><td></td><td></td><td>10</td><td>9</td><td>8</td><td>7</td><td>6</td><td>5</td><td>4</td><td></td><td></td><td></td></tr> </table>				69		67		65			61	60	59	58	57				54	53		51	50	49	48	47	46	45		43		40	39		37				34	33	73				32	31	30	29			26		24	23	22	21	20		18						16	15	14	13			10	9	8	7	6	5	4				
			69		67		65			61	60	59	58	57				54	53																																																																				
	51	50	49	48	47	46	45		43		40	39		37				34	33																																																																				
73				32	31	30	29			26		24	23	22	21	20		18																																																																					
				16	15	14	13			10	9	8	7	6	5	4																																																																							
AVAILABLE	NOT APPLICABLE	34566-6023	0	A	BLACK	<table border="1"> <tr><td>72</td><td>71</td><td>70</td><td>69</td><td>68</td><td>67</td><td></td><td></td><td></td><td></td><td></td><td>60</td><td>59</td><td>58</td><td>57</td><td>56</td><td></td><td></td><td>54</td><td>53</td></tr> <tr><td>52</td><td>51</td><td>50</td><td>49</td><td>48</td><td>47</td><td></td><td>45</td><td>44</td><td>43</td><td></td><td>40</td><td>39</td><td>38</td><td>37</td><td>36</td><td>35</td><td>34</td><td>33</td><td></td></tr> <tr><td colspan="3">73</td><td></td><td>32</td><td>31</td><td>30</td><td>29</td><td>28</td><td></td><td></td><td>24</td><td>23</td><td>22</td><td>21</td><td>20</td><td>19</td><td></td><td>17</td><td></td></tr> <tr><td colspan="3"></td><td></td><td>16</td><td>15</td><td></td><td>13</td><td>12</td><td>11</td><td>10</td><td></td><td>7</td><td>6</td><td>5</td><td>4</td><td>3</td><td>2</td><td>1</td><td></td></tr> </table>	72	71	70	69	68	67						60	59	58	57	56			54	53	52	51	50	49	48	47		45	44	43		40	39	38	37	36	35	34	33		73				32	31	30	29	28			24	23	22	21	20	19		17						16	15		13	12	11	10		7	6	5	4	3	2	1		
72	71	70	69	68	67						60	59	58	57	56			54	53																																																																				
52	51	50	49	48	47		45	44	43		40	39	38	37	36	35	34	33																																																																					
73				32	31	30	29	28			24	23	22	21	20	19		17																																																																					
				16	15		13	12	11	10		7	6	5	4	3	2	1																																																																					
AVAILABLE	NOT APPLICABLE	34566-6033	0	A	BLACK	<table border="1"> <tr><td></td><td></td><td>70</td><td>69</td><td></td><td></td><td></td><td></td><td></td><td></td><td>63</td><td>62</td><td>61</td><td></td><td></td><td>58</td><td>57</td><td>56</td><td>55</td><td>54</td><td>53</td></tr> <tr><td>52</td><td>51</td><td></td><td>49</td><td></td><td></td><td></td><td></td><td>44</td><td>43</td><td>42</td><td>41</td><td></td><td></td><td></td><td>37</td><td>36</td><td></td><td>34</td><td></td></tr> <tr><td colspan="3">73</td><td></td><td>32</td><td></td><td></td><td>29</td><td>28</td><td>27</td><td>26</td><td></td><td></td><td></td><td></td><td>21</td><td></td><td>19</td><td>18</td><td></td></tr> <tr><td colspan="3"></td><td></td><td>16</td><td>15</td><td></td><td>13</td><td>12</td><td>11</td><td>10</td><td></td><td>8</td><td></td><td>5</td><td>3</td><td></td><td></td><td></td><td></td></tr> </table>			70	69							63	62	61			58	57	56	55	54	53	52	51		49					44	43	42	41				37	36		34		73				32			29	28	27	26					21		19	18						16	15		13	12	11	10		8		5	3				
		70	69							63	62	61			58	57	56	55	54	53																																																																			
52	51		49					44	43	42	41				37	36		34																																																																					
73				32			29	28	27	26					21		19	18																																																																					
				16	15		13	12	11	10		8		5	3																																																																								
AVAILABLE	NOT APPLICABLE	34566-6043	0	B	ST.GRAY	<table border="1"> <tr><td></td><td></td><td></td><td></td><td>68</td><td>67</td><td>66</td><td>65</td><td>64</td><td></td><td></td><td></td><td></td><td></td><td>58</td><td></td><td></td><td>55</td><td></td><td></td></tr> <tr><td></td><td></td><td></td><td></td><td></td><td>46</td><td>45</td><td></td><td></td><td></td><td></td><td></td><td></td><td></td><td>38</td><td></td><td></td><td>35</td><td></td><td></td></tr> <tr><td colspan="3">73</td><td></td><td>32</td><td></td><td>30</td><td>29</td><td>28</td><td>27</td><td></td><td></td><td></td><td></td><td>22</td><td></td><td></td><td>19</td><td></td><td>17</td></tr> <tr><td colspan="3"></td><td></td><td>16</td><td></td><td></td><td></td><td></td><td></td><td>10</td><td></td><td></td><td></td><td></td><td></td><td></td><td></td><td></td><td>1</td></tr> </table>					68	67	66	65	64						58			55								46	45								38			35			73				32		30	29	28	27					22			19		17					16						10									1	
				68	67	66	65	64						58			55																																																																						
					46	45								38			35																																																																						
73				32		30	29	28	27					22			19		17																																																																				
				16						10									1																																																																				
AVAILABLE	NOT APPLICABLE	34566-6053	0	B	ST.GRAY	<table border="1"> <tr><td>72</td><td></td><td></td><td></td><td></td><td></td><td></td><td></td><td></td><td></td><td>62</td><td>61</td><td></td><td></td><td></td><td></td><td></td><td></td><td></td><td></td></tr> <tr><td>52</td><td></td><td></td><td></td><td>48</td><td>47</td><td>46</td><td></td><td></td><td>43</td><td>41</td><td>40</td><td></td><td></td><td></td><td></td><td></td><td></td><td></td><td></td></tr> <tr><td colspan="3">73</td><td></td><td></td><td></td><td>30</td><td></td><td></td><td></td><td></td><td></td><td></td><td></td><td></td><td>20</td><td>19</td><td>18</td><td></td><td></td></tr> <tr><td colspan="3"></td><td></td><td>16</td><td>15</td><td>14</td><td></td><td></td><td></td><td></td><td></td><td></td><td></td><td></td><td>4</td><td></td><td>2</td><td></td><td></td></tr> </table>	72										62	61									52				48	47	46			43	41	40									73						30									20	19	18							16	15	14									4		2			
72										62	61																																																																												
52				48	47	46			43	41	40																																																																												
73						30									20	19	18																																																																						
				16	15	14									4		2																																																																						
AVAILABLE	NOT APPLICABLE	34566-6063	0	C	BLUE	<table border="1"> <tr><td></td><td></td><td></td><td>69</td><td></td><td>67</td><td>66</td><td></td><td>64</td><td></td><td>62</td><td></td><td>60</td><td></td><td></td><td>57</td><td></td><td>55</td><td>54</td><td></td></tr> <tr><td>52</td><td>51</td><td>50</td><td></td><td>48</td><td></td><td>46</td><td>45</td><td>44</td><td></td><td>42</td><td></td><td></td><td></td><td></td><td>37</td><td></td><td>35</td><td>34</td><td>33</td></tr> <tr><td colspan="3">73</td><td></td><td>32</td><td></td><td></td><td></td><td>28</td><td>27</td><td>26</td><td></td><td></td><td></td><td></td><td></td><td></td><td>19</td><td>18</td><td>17</td></tr> <tr><td colspan="3"></td><td></td><td>16</td><td>15</td><td>14</td><td>13</td><td>12</td><td>11</td><td>10</td><td>9</td><td></td><td></td><td></td><td></td><td></td><td></td><td></td><td></td></tr> </table>				69		67	66		64		62		60			57		55	54		52	51	50		48		46	45	44		42					37		35	34	33	73				32				28	27	26							19	18	17					16	15	14	13	12	11	10	9									
			69		67	66		64		62		60			57		55	54																																																																					
52	51	50		48		46	45	44		42					37		35	34	33																																																																				
73				32				28	27	26							19	18	17																																																																				
				16	15	14	13	12	11	10	9																																																																												
AVAILABLE	NOT APPLICABLE	34566-6073	0	C	BLUE	<table border="1"> <tr><td></td><td></td><td></td><td>69</td><td></td><td>67</td><td>66</td><td></td><td>64</td><td></td><td>61</td><td>60</td><td></td><td></td><td>57</td><td></td><td></td><td></td><td>54</td><td></td></tr> <tr><td>52</td><td>51</td><td>50</td><td>49</td><td>48</td><td></td><td>46</td><td>45</td><td>44</td><td></td><td>41</td><td></td><td></td><td></td><td>37</td><td></td><td></td><td></td><td>34</td><td>33</td></tr> <tr><td colspan="3">73</td><td></td><td>32</td><td></td><td></td><td></td><td>28</td><td>27</td><td></td><td>25</td><td></td><td></td><td></td><td></td><td></td><td></td><td>18</td><td>17</td></tr> <tr><td colspan="3"></td><td></td><td>16</td><td>15</td><td>14</td><td>13</td><td>12</td><td>11</td><td>10</td><td>9</td><td></td><td></td><td></td><td></td><td></td><td></td><td></td><td></td></tr> </table>				69		67	66		64		61	60			57				54		52	51	50	49	48		46	45	44		41				37				34	33	73				32				28	27		25							18	17					16	15	14	13	12	11	10	9									
			69		67	66		64		61	60			57				54																																																																					
52	51	50	49	48		46	45	44		41				37				34	33																																																																				
73				32				28	27		25							18	17																																																																				
				16	15	14	13	12	11	10	9																																																																												
AVAILABLE	NOT APPLICABLE	34566-6083	0	C	BLUE	<table border="1"> <tr><td>72</td><td></td><td>70</td><td></td><td>68</td><td>67</td><td>66</td><td></td><td></td><td>63</td><td>62</td><td></td><td></td><td>59</td><td>57</td><td></td><td></td><td></td><td></td><td>53</td></tr> <tr><td>52</td><td>51</td><td></td><td></td><td>48</td><td>47</td><td>46</td><td></td><td>44</td><td>42</td><td></td><td>40</td><td>39</td><td></td><td>37</td><td>36</td><td></td><td></td><td>34</td><td>33</td></tr> <tr><td colspan="3">73</td><td></td><td>32</td><td></td><td>30</td><td></td><td></td><td>26</td><td>25</td><td></td><td></td><td>22</td><td>21</td><td></td><td></td><td></td><td></td><td></td></tr> <tr><td colspan="3"></td><td></td><td></td><td>15</td><td>14</td><td></td><td></td><td>10</td><td>9</td><td></td><td></td><td>6</td><td>5</td><td>4</td><td></td><td></td><td>2</td><td></td></tr> </table>	72		70		68	67	66			63	62			59	57					53	52	51			48	47	46		44	42		40	39		37	36			34	33	73				32		30			26	25			22	21											15	14			10	9			6	5	4			2		
72		70		68	67	66			63	62			59	57					53																																																																				
52	51			48	47	46		44	42		40	39		37	36			34	33																																																																				
73				32		30			26	25			22	21																																																																									
					15	14			10	9			6	5	4			2																																																																					


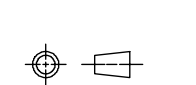
<b>QUALITY SYMBOLS</b> = 0 = 0 = 0 = 0 = 0 = 0 = 0 = 0 = 0	THIS DRAWING CONTAINS INFORMATION THAT IS PROPRIETARY TO MOLEX ELECTRONIC TECHNOLOGIES, LLC AND SHOULD NOT BE USED WITHOUT WRITTEN PERMISSION									
	2017/04/12	2017/04/21	GENERAL TOLERANCES (UNLESS SPECIFIED)		DIMENSION UNITS	SCALE				
	EC NO: 115716	DRWN: TYE	ANGULAR TOL ± °		MM	1:1				
	CHKD:	APPR: JDENG02	4 PLACES ±	SKRAJENDRANA	DATE	2011/02/14				
			3 PLACES ±	CHKD BY	DATE					
			2 PLACES ±	MVANSLAMBROU	DATE	2011/02/14				
			1 PLACE ±	APPR BY	DATE					
			0 PLACES ±	DRAWING SIZE		THIRD ANGLE PROJECTION				
			DRAFT WHERE APPLICABLE MUST REMAIN WITHIN DIMENSIONS		D					
G50		SERIES		MATERIAL NUMBER		CUSTOMER				
		34566		SEE BOM TABLE		GENERAL MARKET				
		DOCUMENT NUMBER		DOC TYPE		DOC PART SHEET NUMBER				
		SD-34566-001		PSD		000 67 OF 93				



STATUS	GM PART #	MATERIAL #	WIRE DRESS OPTION	KEY OPTION	COLOR (TPA)	NUMBERS INDICATE CAVITIES OPEN FOR CIRCUITS F <sub>P</sub>																																																																																
AVAILABLE	NOT APPLICABLE	34566-6093	0	B	ST.GRAY	<table border="1"> <tr><td>72</td><td>70</td><td></td><td></td><td>67</td><td></td><td></td><td>63</td><td>62</td><td>61</td><td>60</td><td>59</td><td></td><td></td><td></td><td></td><td></td><td></td><td></td><td></td></tr> <tr><td>52</td><td></td><td></td><td></td><td></td><td>46</td><td></td><td>43</td><td></td><td>41</td><td>40</td><td></td><td></td><td></td><td></td><td></td><td>20</td><td>19</td><td>18</td><td></td></tr> <tr><td colspan="2">73</td><td></td><td></td><td></td><td></td><td></td><td>27</td><td></td><td></td><td></td><td></td><td></td><td></td><td></td><td>4</td><td></td><td></td><td></td><td></td></tr> <tr><td></td><td></td><td></td><td></td><td></td><td>16</td><td>14</td><td></td><td></td><td>11</td><td></td><td></td><td></td><td></td><td></td><td></td><td></td><td></td><td></td><td></td></tr> </table>	72	70			67			63	62	61	60	59									52					46		43		41	40						20	19	18		73							27								4										16	14			11										
72	70			67			63	62	61	60	59																																																																											
52					46		43		41	40						20	19	18																																																																				
73							27								4																																																																							
					16	14			11																																																																													
AVAILABLE	NOT APPLICABLE	34566-6113	0	A	BLACK	<table border="1"> <tr><td>72</td><td>71</td><td>70</td><td>69</td><td>68</td><td></td><td>66</td><td>65</td><td>64</td><td>63</td><td>62</td><td>61</td><td>60</td><td></td><td>58</td><td>57</td><td>56</td><td>55</td><td>54</td><td>53</td></tr> <tr><td>52</td><td>51</td><td>50</td><td>49</td><td>48</td><td></td><td>46</td><td>45</td><td>44</td><td>43</td><td>42</td><td>41</td><td>40</td><td>39</td><td>38</td><td>37</td><td>36</td><td></td><td>34</td><td>33</td></tr> <tr><td colspan="4">73</td><td></td><td>32</td><td>31</td><td>30</td><td>29</td><td>28</td><td>27</td><td>26</td><td>25</td><td></td><td>23</td><td>22</td><td>21</td><td>20</td><td>19</td><td>18</td></tr> <tr><td></td><td></td><td></td><td></td><td></td><td>16</td><td>15</td><td>14</td><td>13</td><td>12</td><td>11</td><td>10</td><td>9</td><td>8</td><td>7</td><td>6</td><td>5</td><td>4</td><td>3</td><td>2</td></tr> </table>	72	71	70	69	68		66	65	64	63	62	61	60		58	57	56	55	54	53	52	51	50	49	48		46	45	44	43	42	41	40	39	38	37	36		34	33	73					32	31	30	29	28	27	26	25		23	22	21	20	19	18						16	15	14	13	12	11	10	9	8	7	6	5	4	3	2
72	71	70	69	68		66	65	64	63	62	61	60		58	57	56	55	54	53																																																																			
52	51	50	49	48		46	45	44	43	42	41	40	39	38	37	36		34	33																																																																			
73					32	31	30	29	28	27	26	25		23	22	21	20	19	18																																																																			
					16	15	14	13	12	11	10	9	8	7	6	5	4	3	2																																																																			
AVAILABLE	NOT APPLICABLE	34566-6123	0	C	BLUE	<table border="1"> <tr><td></td><td></td><td></td><td>69</td><td></td><td>67</td><td>66</td><td></td><td>64</td><td></td><td>62</td><td></td><td>60</td><td></td><td></td><td>57</td><td></td><td></td><td></td><td>54</td></tr> <tr><td>52</td><td>51</td><td>50</td><td></td><td></td><td>48</td><td>46</td><td>45</td><td>44</td><td></td><td>42</td><td></td><td></td><td></td><td></td><td>37</td><td></td><td></td><td>34</td><td>33</td></tr> <tr><td colspan="2">73</td><td></td><td></td><td></td><td></td><td></td><td></td><td>28</td><td>27</td><td>26</td><td></td><td></td><td></td><td></td><td></td><td></td><td></td><td></td><td></td></tr> <tr><td></td><td></td><td></td><td></td><td></td><td>16</td><td>15</td><td>14</td><td>13</td><td>12</td><td>11</td><td>10</td><td>9</td><td>8</td><td>7</td><td></td><td></td><td></td><td></td><td></td></tr> </table>				69		67	66		64		62		60			57				54	52	51	50			48	46	45	44		42					37			34	33	73								28	27	26															16	15	14	13	12	11	10	9	8	7					
			69		67	66		64		62		60			57				54																																																																			
52	51	50			48	46	45	44		42					37			34	33																																																																			
73								28	27	26																																																																												
					16	15	14	13	12	11	10	9	8	7																																																																								
AVAILABLE	NOT APPLICABLE	34566-6133	9	C	BLUE	<table border="1"> <tr><td>72</td><td></td><td>70</td><td></td><td>68</td><td>67</td><td></td><td></td><td></td><td>63</td><td>62</td><td></td><td></td><td>59</td><td></td><td>57</td><td></td><td></td><td></td><td>53</td></tr> <tr><td>52</td><td>51</td><td></td><td></td><td>48</td><td>47</td><td></td><td></td><td>44</td><td></td><td>42</td><td></td><td>40</td><td>39</td><td>38</td><td>37</td><td>36</td><td></td><td>34</td><td>33</td></tr> <tr><td colspan="2">73</td><td></td><td></td><td>32</td><td></td><td>30</td><td></td><td></td><td></td><td>26</td><td>25</td><td>24</td><td></td><td>22</td><td>21</td><td></td><td></td><td></td><td></td></tr> <tr><td></td><td></td><td></td><td></td><td></td><td>15</td><td>14</td><td></td><td></td><td></td><td></td><td>9</td><td>8</td><td></td><td>6</td><td>5</td><td>4</td><td></td><td></td><td>2</td></tr> </table>	72		70		68	67				63	62			59		57				53	52	51			48	47			44		42		40	39	38	37	36		34	33	73				32		30				26	25	24		22	21										15	14					9	8		6	5	4			2
72		70		68	67				63	62			59		57				53																																																																			
52	51			48	47			44		42		40	39	38	37	36		34	33																																																																			
73				32		30				26	25	24		22	21																																																																							
					15	14					9	8		6	5	4			2																																																																			
AVAILABLE	NOT APPLICABLE	34566-6173	9	B	ST.GRAY	<table border="1"> <tr><td></td><td></td><td></td><td></td><td></td><td>67</td><td>66</td><td></td><td></td><td></td><td></td><td></td><td></td><td></td><td></td><td></td><td></td><td></td><td></td><td></td></tr> <tr><td></td><td></td><td></td><td></td><td>48</td><td>47</td><td></td><td></td><td></td><td></td><td></td><td>41</td><td></td><td></td><td></td><td></td><td></td><td></td><td></td><td></td></tr> <tr><td colspan="2">73</td><td></td><td></td><td>32</td><td>31</td><td>30</td><td>29</td><td></td><td>27</td><td>26</td><td>25</td><td>24</td><td></td><td>22</td><td>21</td><td></td><td>19</td><td>18</td><td>17</td></tr> <tr><td></td><td></td><td></td><td></td><td>16</td><td>15</td><td>14</td><td>13</td><td></td><td>11</td><td>10</td><td>9</td><td>8</td><td>7</td><td>6</td><td>5</td><td>4</td><td>3</td><td></td><td>1</td></tr> </table>						67	66																		48	47						41									73				32	31	30	29		27	26	25	24		22	21		19	18	17					16	15	14	13		11	10	9	8	7	6	5	4	3		1
					67	66																																																																																
				48	47						41																																																																											
73				32	31	30	29		27	26	25	24		22	21		19	18	17																																																																			
				16	15	14	13		11	10	9	8	7	6	5	4	3		1																																																																			
AVAILABLE	NOT APPLICABLE	34566-6183	9	A	BLACK	<table border="1"> <tr><td></td><td></td><td></td><td></td><td></td><td>66</td><td></td><td></td><td></td><td></td><td></td><td></td><td></td><td></td><td></td><td></td><td></td><td></td><td></td><td></td></tr> <tr><td></td><td></td><td></td><td></td><td>48</td><td>47</td><td></td><td></td><td></td><td></td><td></td><td>41</td><td></td><td></td><td></td><td></td><td></td><td></td><td></td><td></td></tr> <tr><td colspan="2">73</td><td></td><td></td><td>32</td><td>31</td><td>30</td><td>29</td><td></td><td>27</td><td>26</td><td>25</td><td>24</td><td></td><td>22</td><td>21</td><td></td><td>19</td><td>18</td><td>17</td></tr> <tr><td></td><td></td><td></td><td></td><td>16</td><td>15</td><td>14</td><td>13</td><td></td><td>11</td><td>10</td><td>9</td><td>8</td><td>7</td><td>6</td><td>5</td><td>4</td><td>3</td><td></td><td>1</td></tr> </table>						66																			48	47						41									73				32	31	30	29		27	26	25	24		22	21		19	18	17					16	15	14	13		11	10	9	8	7	6	5	4	3		1
					66																																																																																	
				48	47						41																																																																											
73				32	31	30	29		27	26	25	24		22	21		19	18	17																																																																			
				16	15	14	13		11	10	9	8	7	6	5	4	3		1																																																																			
AVAILABLE	NOT APPLICABLE	34566-6193	9	B	ST.GRAY	<table border="1"> <tr><td>72</td><td>71</td><td>70</td><td>69</td><td>68</td><td>67</td><td>66</td><td>65</td><td>64</td><td></td><td>62</td><td>61</td><td>60</td><td>59</td><td>58</td><td>57</td><td>56</td><td>55</td><td>54</td><td></td></tr> <tr><td>52</td><td>51</td><td>50</td><td>49</td><td></td><td></td><td>46</td><td></td><td>44</td><td></td><td></td><td>41</td><td>40</td><td></td><td>38</td><td>37</td><td>36</td><td></td><td></td><td></td></tr> <tr><td colspan="2">73</td><td></td><td></td><td>32</td><td>31</td><td>30</td><td>29</td><td>28</td><td>27</td><td>26</td><td>25</td><td>24</td><td></td><td></td><td>21</td><td>20</td><td></td><td>18</td><td>17</td></tr> <tr><td></td><td></td><td></td><td></td><td>16</td><td>15</td><td>14</td><td>13</td><td>12</td><td></td><td>10</td><td>9</td><td>8</td><td>7</td><td>6</td><td>5</td><td>4</td><td>3</td><td>2</td><td></td></tr> </table>	72	71	70	69	68	67	66	65	64		62	61	60	59	58	57	56	55	54		52	51	50	49			46		44			41	40		38	37	36				73				32	31	30	29	28	27	26	25	24			21	20		18	17					16	15	14	13	12		10	9	8	7	6	5	4	3	2	
72	71	70	69	68	67	66	65	64		62	61	60	59	58	57	56	55	54																																																																				
52	51	50	49			46		44			41	40		38	37	36																																																																						
73				32	31	30	29	28	27	26	25	24			21	20		18	17																																																																			
				16	15	14	13	12		10	9	8	7	6	5	4	3	2																																																																				
AVAILABLE	NOT APPLICABLE	34566-6213	9	A	BLACK	<table border="1"> <tr><td></td><td></td><td></td><td></td><td></td><td>67</td><td>66</td><td></td><td></td><td></td><td></td><td></td><td></td><td></td><td></td><td></td><td></td><td></td><td></td><td></td></tr> <tr><td></td><td></td><td></td><td></td><td>48</td><td>47</td><td></td><td></td><td></td><td></td><td></td><td>41</td><td></td><td></td><td></td><td></td><td></td><td></td><td></td><td></td></tr> <tr><td colspan="2">73</td><td></td><td></td><td>32</td><td>31</td><td>30</td><td>29</td><td></td><td>27</td><td>26</td><td>25</td><td>24</td><td></td><td>22</td><td>21</td><td></td><td>19</td><td>18</td><td>17</td></tr> <tr><td></td><td></td><td></td><td></td><td>16</td><td>15</td><td>14</td><td>13</td><td></td><td>11</td><td>10</td><td>9</td><td>8</td><td>7</td><td>6</td><td>5</td><td>4</td><td>3</td><td></td><td>1</td></tr> </table>						67	66																		48	47						41									73				32	31	30	29		27	26	25	24		22	21		19	18	17					16	15	14	13		11	10	9	8	7	6	5	4	3		1
					67	66																																																																																
				48	47						41																																																																											
73				32	31	30	29		27	26	25	24		22	21		19	18	17																																																																			
				16	15	14	13		11	10	9	8	7	6	5	4	3		1																																																																			
AVAILABLE	NOT APPLICABLE	34566-6223	9	C	BLUE	<table border="1"> <tr><td>72</td><td></td><td>70</td><td></td><td>68</td><td></td><td>66</td><td></td><td></td><td>63</td><td>62</td><td></td><td></td><td>59</td><td></td><td>57</td><td></td><td></td><td></td><td>53</td></tr> <tr><td>52</td><td>51</td><td></td><td></td><td>48</td><td>47</td><td>46</td><td></td><td>44</td><td></td><td></td><td></td><td>40</td><td>39</td><td></td><td></td><td></td><td></td><td>34</td><td>33</td></tr> <tr><td colspan="2">73</td><td></td><td></td><td>32</td><td></td><td>30</td><td></td><td></td><td>27</td><td>26</td><td>25</td><td></td><td></td><td>22</td><td>21</td><td>20</td><td></td><td></td><td></td></tr> <tr><td></td><td></td><td></td><td></td><td></td><td>15</td><td>14</td><td>13</td><td></td><td></td><td>10</td><td>9</td><td></td><td></td><td>6</td><td>5</td><td>4</td><td></td><td></td><td></td></tr> </table>	72		70		68		66			63	62			59		57				53	52	51			48	47	46		44				40	39					34	33	73				32		30			27	26	25			22	21	20									15	14	13			10	9			6	5	4			
72		70		68		66			63	62			59		57				53																																																																			
52	51			48	47	46		44				40	39					34	33																																																																			
73				32		30			27	26	25			22	21	20																																																																						
					15	14	13			10	9			6	5	4																																																																						

<b>QUALITY SYMBOLS</b> = 0 = 0 = 0 = 0 = 0 = 0 = 0 = 0 = 0	THIS DRAWING CONTAINS INFORMATION THAT IS PROPRIETARY TO MOLEX ELECTRONIC TECHNOLOGIES, LLC AND SHOULD NOT BE USED WITHOUT WRITTEN PERMISSION									
	2017/04/12	2017/04/21	GENERAL TOLERANCES (UNLESS SPECIFIED)		DIMENSION UNITS	SCALE				
	MM	1:1								
	DRWN BY	DATE	ANGULAR TOL ± °		SKRAJENDRANA	2011/02/14				
	4 PLACES ±	3 PLACES ±	2 PLACES ±	1 PLACE ±	0 PLACES ±	CHKD BY	DATE			
						MVANSLAMBROU	2011/02/14			
						APPR BY	DATE			
						DRAFT WHERE APPLICABLE MUST REMAIN WITHIN DIMENSIONS	DRAWING SIZE	THIRD ANGLE PROJECTION		
						D				
EC NO: 115716	DRWN: TYE	CHKD: JDENG02	REV: APPR: JDENG02	G50	SERIES		MATERIAL NUMBER		CUSTOMER	
					34566	SEE BOM TABLE		GENERAL MARKET		
					DOCUMENT NUMBER		DOC TYPE	DOC PART	SHEET NUMBER	
					SD-34566-001		PSD	000	68 OF 93	


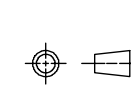
STATUS	GM PART #	MATERIAL #	WIRE DRESS OPTION	KEY OPTION ▽	COLOR (TPA) ▽	NUMBERS INDICATE CAVITIES OPEN FOR CIRCUITS F <sub>p</sub>																																																																																							
AVAILABLE	NOT APPLICABLE	34566-6233	9	B	ST.GRAY	<table border="1"> <tr><td>72</td><td>70</td><td>68</td><td>66</td><td></td><td></td><td></td><td></td><td>60</td><td>59</td><td></td><td></td><td></td><td></td><td>55</td><td>54</td><td>53</td></tr> <tr><td>52</td><td>50</td><td>48</td><td>46</td><td></td><td></td><td></td><td></td><td>40</td><td>39</td><td></td><td></td><td></td><td></td><td>35</td><td>34</td><td>33</td></tr> <tr><td colspan="2">73</td><td>32</td><td>31</td><td>30</td><td>29</td><td>28</td><td>27</td><td>26</td><td>25</td><td>24</td><td></td><td></td><td></td><td></td><td></td><td>17</td></tr> <tr><td colspan="2"></td><td>16</td><td></td><td></td><td></td><td></td><td></td><td>10</td><td>8</td><td></td><td></td><td></td><td></td><td></td><td>2</td><td>1</td></tr> </table>	72	70	68	66					60	59					55	54	53	52	50	48	46					40	39					35	34	33	73		32	31	30	29	28	27	26	25	24						17			16						10	8						2	1																			
72	70	68	66					60	59					55	54	53																																																																													
52	50	48	46					40	39					35	34	33																																																																													
73		32	31	30	29	28	27	26	25	24						17																																																																													
		16						10	8						2	1																																																																													
AVAILABLE	NOT APPLICABLE	34566-6243	9	A	BLACK	<table border="1"> <tr><td></td><td>71</td><td>70</td><td>69</td><td></td><td></td><td></td><td></td><td>64</td><td>63</td><td></td><td></td><td>60</td><td>59</td><td>58</td><td>57</td><td>56</td><td>55</td><td>54</td><td>53</td></tr> <tr><td>52</td><td>51</td><td>50</td><td>49</td><td></td><td></td><td></td><td></td><td>45</td><td>44</td><td>43</td><td>42</td><td>41</td><td></td><td>39</td><td>37</td><td>36</td><td></td><td></td><td>34</td></tr> <tr><td colspan="2">73</td><td>32</td><td></td><td>30</td><td></td><td>28</td><td></td><td>26</td><td></td><td></td><td></td><td></td><td></td><td></td><td></td><td></td><td>19</td><td>18</td><td></td></tr> <tr><td colspan="2"></td><td>16</td><td>15</td><td>14</td><td></td><td>12</td><td></td><td>10</td><td></td><td></td><td></td><td></td><td></td><td></td><td></td><td>3</td><td></td><td></td><td></td></tr> </table>		71	70	69					64	63			60	59	58	57	56	55	54	53	52	51	50	49					45	44	43	42	41		39	37	36			34	73		32		30		28		26									19	18				16	15	14		12		10								3										
	71	70	69					64	63			60	59	58	57	56	55	54	53																																																																										
52	51	50	49					45	44	43	42	41		39	37	36			34																																																																										
73		32		30		28		26									19	18																																																																											
		16	15	14		12		10								3																																																																													
AVAILABLE	NOT APPLICABLE	34566-6253	9	C	BLUE	<table border="1"> <tr><td>72</td><td>70</td><td>68</td><td>67</td><td>66</td><td></td><td></td><td></td><td>63</td><td>62</td><td></td><td></td><td>59</td><td>57</td><td></td><td></td><td></td><td></td><td></td><td>53</td></tr> <tr><td>52</td><td>51</td><td></td><td>49</td><td>48</td><td>47</td><td>46</td><td></td><td>44</td><td></td><td></td><td></td><td>40</td><td>39</td><td></td><td>37</td><td>36</td><td></td><td></td><td>34</td><td>33</td></tr> <tr><td colspan="2">73</td><td>32</td><td></td><td>30</td><td></td><td></td><td></td><td>27</td><td>26</td><td>25</td><td>24</td><td></td><td></td><td>22</td><td>21</td><td>20</td><td></td><td></td><td></td><td></td></tr> <tr><td colspan="2"></td><td></td><td>15</td><td>14</td><td>13</td><td></td><td></td><td>10</td><td>9</td><td>8</td><td></td><td></td><td></td><td>6</td><td>5</td><td>4</td><td></td><td></td><td></td><td>2</td></tr> </table>	72	70	68	67	66				63	62			59	57						53	52	51		49	48	47	46		44				40	39		37	36			34	33	73		32		30				27	26	25	24			22	21	20								15	14	13			10	9	8				6	5	4				2				
72	70	68	67	66				63	62			59	57						53																																																																										
52	51		49	48	47	46		44				40	39		37	36			34	33																																																																									
73		32		30				27	26	25	24			22	21	20																																																																													
			15	14	13			10	9	8				6	5	4				2																																																																									
AVAILABLE	NOT APPLICABLE	34566-6263	9	B	ST.GRAY	<table border="1"> <tr><td>72</td><td>71</td><td>70</td><td></td><td>68</td><td>67</td><td>66</td><td></td><td></td><td></td><td>62</td><td>61</td><td>60</td><td>59</td><td>58</td><td>57</td><td>56</td><td>55</td><td>54</td><td>53</td></tr> <tr><td>52</td><td>51</td><td>50</td><td></td><td>48</td><td>47</td><td>46</td><td></td><td></td><td></td><td>42</td><td>41</td><td>40</td><td>39</td><td>38</td><td>37</td><td>36</td><td>35</td><td>34</td><td>33</td></tr> <tr><td colspan="2">73</td><td>32</td><td>31</td><td>30</td><td>29</td><td>28</td><td>27</td><td>26</td><td>25</td><td>24</td><td></td><td></td><td></td><td></td><td></td><td></td><td></td><td></td><td>18</td><td>17</td></tr> <tr><td colspan="2"></td><td>16</td><td>15</td><td>14</td><td>13</td><td></td><td></td><td>10</td><td></td><td>8</td><td></td><td></td><td></td><td></td><td></td><td></td><td></td><td></td><td>3</td><td>2</td><td>1</td></tr> </table>	72	71	70		68	67	66				62	61	60	59	58	57	56	55	54	53	52	51	50		48	47	46				42	41	40	39	38	37	36	35	34	33	73		32	31	30	29	28	27	26	25	24									18	17			16	15	14	13			10		8									3	2	1				
72	71	70		68	67	66				62	61	60	59	58	57	56	55	54	53																																																																										
52	51	50		48	47	46				42	41	40	39	38	37	36	35	34	33																																																																										
73		32	31	30	29	28	27	26	25	24									18	17																																																																									
		16	15	14	13			10		8									3	2	1																																																																								
AVAILABLE	NOT APPLICABLE	34566-6273	9	B	ST.GRAY	<table border="1"> <tr><td></td><td>71</td><td>70</td><td>69</td><td></td><td></td><td></td><td></td><td>65</td><td>64</td><td>63</td><td>62</td><td>61</td><td>60</td><td></td><td>58</td><td>57</td><td>56</td><td>55</td><td>54</td><td>53</td></tr> <tr><td>52</td><td>51</td><td>50</td><td>49</td><td></td><td>48</td><td>47</td><td></td><td>45</td><td>44</td><td>43</td><td>42</td><td>41</td><td></td><td>39</td><td></td><td>37</td><td>36</td><td></td><td></td><td>34</td></tr> <tr><td colspan="2">73</td><td>32</td><td></td><td>30</td><td>29</td><td>28</td><td>27</td><td>26</td><td></td><td>24</td><td></td><td></td><td></td><td></td><td></td><td></td><td></td><td></td><td>19</td><td>18</td></tr> <tr><td colspan="2"></td><td>16</td><td>15</td><td>14</td><td>13</td><td>12</td><td>11</td><td>10</td><td></td><td></td><td></td><td></td><td></td><td></td><td></td><td></td><td></td><td></td><td>3</td><td></td><td></td></tr> </table>		71	70	69					65	64	63	62	61	60		58	57	56	55	54	53	52	51	50	49		48	47		45	44	43	42	41		39		37	36			34	73		32		30	29	28	27	26		24									19	18			16	15	14	13	12	11	10											3				
	71	70	69					65	64	63	62	61	60		58	57	56	55	54	53																																																																									
52	51	50	49		48	47		45	44	43	42	41		39		37	36			34																																																																									
73		32		30	29	28	27	26		24									19	18																																																																									
		16	15	14	13	12	11	10											3																																																																										
AVAILABLE	NOT APPLICABLE	34566-6283	9	C	BLUE	<table border="1"> <tr><td>72</td><td>70</td><td>68</td><td>67</td><td>66</td><td></td><td></td><td></td><td>63</td><td>62</td><td></td><td></td><td>59</td><td>57</td><td></td><td></td><td></td><td></td><td></td><td></td><td>53</td></tr> <tr><td>52</td><td>51</td><td></td><td></td><td>48</td><td>47</td><td>46</td><td></td><td>44</td><td></td><td></td><td></td><td>40</td><td>39</td><td></td><td></td><td></td><td></td><td></td><td></td><td>34</td><td>33</td></tr> <tr><td colspan="2">73</td><td>32</td><td></td><td>30</td><td></td><td></td><td></td><td>27</td><td>26</td><td>25</td><td></td><td></td><td></td><td>22</td><td>21</td><td></td><td></td><td></td><td></td><td></td><td></td></tr> <tr><td colspan="2"></td><td></td><td>15</td><td>14</td><td></td><td></td><td></td><td>10</td><td>9</td><td></td><td></td><td></td><td></td><td>6</td><td>5</td><td>4</td><td></td><td></td><td></td><td></td><td></td></tr> </table>	72	70	68	67	66				63	62			59	57							53	52	51			48	47	46		44				40	39							34	33	73		32		30				27	26	25				22	21										15	14				10	9					6	5	4					
72	70	68	67	66				63	62			59	57							53																																																																									
52	51			48	47	46		44				40	39							34	33																																																																								
73		32		30				27	26	25				22	21																																																																														
			15	14				10	9					6	5	4																																																																													
AVAILABLE	NOT APPLICABLE	34566-6293	9	B	ST.GRAY	<table border="1"> <tr><td>72</td><td>71</td><td>70</td><td></td><td>68</td><td>67</td><td>66</td><td></td><td></td><td></td><td>62</td><td>61</td><td>60</td><td>59</td><td>58</td><td>57</td><td>56</td><td>55</td><td>54</td><td>53</td></tr> <tr><td>52</td><td>51</td><td>50</td><td></td><td>48</td><td>47</td><td>46</td><td></td><td></td><td></td><td>42</td><td>41</td><td>40</td><td>39</td><td>38</td><td>37</td><td>36</td><td>35</td><td>34</td><td>33</td></tr> <tr><td colspan="2">73</td><td>32</td><td>31</td><td>30</td><td>29</td><td>28</td><td>27</td><td>26</td><td>25</td><td>24</td><td></td><td></td><td></td><td></td><td></td><td></td><td></td><td></td><td></td><td>17</td></tr> <tr><td colspan="2"></td><td>16</td><td>15</td><td>14</td><td>13</td><td></td><td></td><td>10</td><td></td><td>8</td><td></td><td></td><td></td><td></td><td></td><td></td><td></td><td></td><td></td><td>2</td><td>1</td></tr> </table>	72	71	70		68	67	66				62	61	60	59	58	57	56	55	54	53	52	51	50		48	47	46				42	41	40	39	38	37	36	35	34	33	73		32	31	30	29	28	27	26	25	24										17			16	15	14	13			10		8										2	1				
72	71	70		68	67	66				62	61	60	59	58	57	56	55	54	53																																																																										
52	51	50		48	47	46				42	41	40	39	38	37	36	35	34	33																																																																										
73		32	31	30	29	28	27	26	25	24										17																																																																									
		16	15	14	13			10		8										2	1																																																																								
AVAILABLE	NOT APPLICABLE	34566-6313	9	B	ST.GRAY	<table border="1"> <tr><td></td><td></td><td>70</td><td>69</td><td></td><td></td><td></td><td></td><td></td><td></td><td>63</td><td>62</td><td>61</td><td>60</td><td></td><td>58</td><td>57</td><td>56</td><td>55</td><td>54</td><td>53</td></tr> <tr><td>52</td><td>51</td><td>50</td><td>49</td><td></td><td></td><td></td><td></td><td></td><td></td><td>44</td><td>43</td><td>42</td><td>41</td><td></td><td>39</td><td></td><td>37</td><td>36</td><td></td><td>34</td></tr> <tr><td colspan="2">73</td><td>32</td><td></td><td></td><td></td><td></td><td></td><td>29</td><td>28</td><td>27</td><td>26</td><td></td><td></td><td></td><td></td><td></td><td></td><td></td><td></td><td>19</td><td>18</td></tr> <tr><td colspan="2"></td><td>16</td><td>15</td><td>14</td><td>13</td><td>12</td><td>11</td><td>10</td><td></td><td></td><td></td><td></td><td></td><td></td><td></td><td></td><td></td><td></td><td></td><td>3</td><td></td></tr> </table>			70	69							63	62	61	60		58	57	56	55	54	53	52	51	50	49							44	43	42	41		39		37	36		34	73		32						29	28	27	26									19	18			16	15	14	13	12	11	10												3		
		70	69							63	62	61	60		58	57	56	55	54	53																																																																									
52	51	50	49							44	43	42	41		39		37	36		34																																																																									
73		32						29	28	27	26									19	18																																																																								
		16	15	14	13	12	11	10												3																																																																									
AVAILABLE	NOT APPLICABLE	34566-6323	9	B	ST.GRAY	<table border="1"> <tr><td></td><td>71</td><td>70</td><td>69</td><td></td><td></td><td></td><td></td><td>64</td><td>63</td><td></td><td></td><td>60</td><td>59</td><td>58</td><td>57</td><td>56</td><td>55</td><td>54</td><td>53</td></tr> <tr><td>52</td><td>51</td><td>50</td><td>49</td><td></td><td></td><td></td><td></td><td>45</td><td>44</td><td>43</td><td>42</td><td>41</td><td></td><td>39</td><td></td><td>37</td><td>36</td><td></td><td></td><td>34</td></tr> <tr><td colspan="2">73</td><td>32</td><td></td><td>30</td><td></td><td></td><td></td><td>28</td><td></td><td>26</td><td></td><td></td><td></td><td></td><td></td><td></td><td></td><td></td><td></td><td>19</td><td>18</td></tr> <tr><td colspan="2"></td><td>16</td><td>15</td><td>14</td><td></td><td></td><td></td><td>12</td><td></td><td>10</td><td></td><td></td><td></td><td></td><td></td><td></td><td></td><td></td><td></td><td>3</td><td></td></tr> </table>		71	70	69					64	63			60	59	58	57	56	55	54	53	52	51	50	49					45	44	43	42	41		39		37	36			34	73		32		30				28		26										19	18			16	15	14				12		10										3			
	71	70	69					64	63			60	59	58	57	56	55	54	53																																																																										
52	51	50	49					45	44	43	42	41		39		37	36			34																																																																									
73		32		30				28		26										19	18																																																																								
		16	15	14				12		10										3																																																																									

<b>QUALITY SYMBOLS</b> ▽ = 0 ▽ = 0 ▽ = 0 ▽ = 0 ▽ = 0 ▽ = 0 ▽ = 0 ▽ = 0 ▽ = 0 ▽ = 0	THIS DRAWING CONTAINS INFORMATION THAT IS PROPRIETARY TO MOLEX ELECTRONIC TECHNOLOGIES, LLC AND SHOULD NOT BE USED WITHOUT WRITTEN PERMISSION									
	2017/04/12	2017/04/21	GENERAL TOLERANCES (UNLESS SPECIFIED)		DIMENSION UNITS	SCALE	 MX123 66/73/80CKT HRNS CONN ASSY PRODUCT CUSTOMER DRAWING			
	EC NO: 115716	DRWN: TYE	ANGULAR TOL ± °		MM	1:1				
	CHKD:	APPR: JDENG02	4 PLACES ±	SKRAJENDRANA	DATE	2011/02/14				
			3 PLACES ±	CHKD BY	DATE					
			2 PLACES ±	MVANSLAMBROU	DATE	2011/02/14				
			1 PLACE ±	APPR BY	DATE					
			0 PLACES ±	DRAWING SIZE		THIRD ANGLE PROJECTION				
			DRAFT WHERE APPLICABLE MUST REMAIN WITHIN DIMENSIONS		D					
				SERIES	MATERIAL NUMBER	CUSTOMER				
			34566	SEE BOM TABLE	GENERAL MARKET					
			DOCUMENT NUMBER	DOC TYPE	DOC PART	SHEET NUMBER				
			SD-34566-001	PSD	000	69 OF 93				

STATUS	GM PART #	MATERIAL #	WIRE DRESS OPTION	KEY OPTION 	COLOR (TPA) 	NUMBERS INDICATE CAVITIES OPEN FOR CIRCUITS Fp																																																																																
AVAILABLE	NOT APPLICABLE	34566-6333	9	C	BLUE	<table border="1"> <tr><td>72</td><td></td><td>70</td><td></td><td>68</td><td>67</td><td>66</td><td></td><td></td><td>63</td><td>62</td><td></td><td></td><td>59</td><td></td><td>57</td><td>56</td><td>55</td><td></td><td>53</td></tr> <tr><td>52</td><td>51</td><td></td><td></td><td>48</td><td>47</td><td>46</td><td></td><td>44</td><td></td><td></td><td></td><td>40</td><td>39</td><td></td><td></td><td></td><td></td><td>34</td><td>33</td></tr> <tr><td colspan="2">73</td><td></td><td></td><td>32</td><td></td><td>30</td><td></td><td></td><td>27</td><td>26</td><td>25</td><td></td><td></td><td>22</td><td>21</td><td></td><td>19</td><td>18</td><td></td></tr> <tr><td colspan="2"></td><td></td><td></td><td></td><td>15</td><td>14</td><td></td><td></td><td></td><td>10</td><td>9</td><td></td><td></td><td>6</td><td>5</td><td>4</td><td>3</td><td></td><td></td></tr> </table>	72		70		68	67	66			63	62			59		57	56	55		53	52	51			48	47	46		44				40	39					34	33	73				32		30			27	26	25			22	21		19	18							15	14				10	9			6	5	4	3		
72		70		68	67	66			63	62			59		57	56	55		53																																																																			
52	51			48	47	46		44				40	39					34	33																																																																			
73				32		30			27	26	25			22	21		19	18																																																																				
					15	14				10	9			6	5	4	3																																																																					
AVAILABLE	NOT APPLICABLE	34566-6343	9	A	BLACK	<table border="1"> <tr><td></td><td></td><td>70</td><td>69</td><td></td><td></td><td></td><td></td><td></td><td>63</td><td>62</td><td>61</td><td>60</td><td></td><td>58</td><td>57</td><td>56</td><td>55</td><td>54</td><td>53</td></tr> <tr><td>52</td><td>51</td><td>50</td><td>49</td><td></td><td></td><td></td><td></td><td>44</td><td>43</td><td>42</td><td>41</td><td>40</td><td>39</td><td></td><td>37</td><td>36</td><td></td><td>34</td><td></td></tr> <tr><td colspan="2">73</td><td></td><td></td><td>32</td><td></td><td></td><td>29</td><td>28</td><td>27</td><td>26</td><td></td><td></td><td></td><td></td><td></td><td></td><td>19</td><td>18</td><td>17</td></tr> <tr><td colspan="2"></td><td></td><td></td><td>16</td><td>15</td><td>14</td><td>13</td><td>12</td><td>11</td><td>10</td><td></td><td></td><td></td><td></td><td></td><td></td><td>3</td><td>2</td><td>1</td></tr> </table>			70	69						63	62	61	60		58	57	56	55	54	53	52	51	50	49					44	43	42	41	40	39		37	36		34		73				32			29	28	27	26							19	18	17					16	15	14	13	12	11	10							3	2	1
		70	69						63	62	61	60		58	57	56	55	54	53																																																																			
52	51	50	49					44	43	42	41	40	39		37	36		34																																																																				
73				32			29	28	27	26							19	18	17																																																																			
				16	15	14	13	12	11	10							3	2	1																																																																			
AVAILABLE	NOT APPLICABLE	34566-6353	9	C	BLUE	<table border="1"> <tr><td>72</td><td></td><td>70</td><td></td><td>68</td><td></td><td>66</td><td></td><td></td><td>63</td><td>62</td><td></td><td></td><td>59</td><td>58</td><td>57</td><td>56</td><td>55</td><td></td><td>53</td></tr> <tr><td>52</td><td>51</td><td></td><td></td><td>48</td><td>47</td><td>46</td><td></td><td>44</td><td></td><td></td><td></td><td>40</td><td>39</td><td></td><td></td><td></td><td></td><td>34</td><td>33</td></tr> <tr><td colspan="2">73</td><td></td><td></td><td>32</td><td></td><td>30</td><td></td><td></td><td>27</td><td>26</td><td>25</td><td></td><td>23</td><td>22</td><td>21</td><td>20</td><td></td><td></td><td>17</td></tr> <tr><td colspan="2"></td><td></td><td></td><td></td><td>15</td><td>14</td><td>13</td><td></td><td></td><td>10</td><td>9</td><td></td><td>7</td><td>6</td><td>5</td><td>4</td><td></td><td></td><td>1</td></tr> </table>	72		70		68		66			63	62			59	58	57	56	55		53	52	51			48	47	46		44				40	39					34	33	73				32		30			27	26	25		23	22	21	20			17						15	14	13			10	9		7	6	5	4			1
72		70		68		66			63	62			59	58	57	56	55		53																																																																			
52	51			48	47	46		44				40	39					34	33																																																																			
73				32		30			27	26	25		23	22	21	20			17																																																																			
					15	14	13			10	9		7	6	5	4			1																																																																			
AVAILABLE	NOT APPLICABLE	34566-6363	9	B	ST.GRAY	<table border="1"> <tr><td>72</td><td></td><td>70</td><td></td><td>68</td><td></td><td>66</td><td></td><td></td><td></td><td></td><td></td><td>60</td><td>59</td><td></td><td></td><td></td><td>55</td><td>54</td><td>53</td></tr> <tr><td>52</td><td></td><td>50</td><td></td><td>48</td><td></td><td>46</td><td></td><td></td><td></td><td></td><td></td><td>40</td><td>39</td><td></td><td></td><td></td><td>35</td><td>34</td><td>33</td></tr> <tr><td colspan="2">73</td><td></td><td></td><td>32</td><td>31</td><td>30</td><td>29</td><td>28</td><td>27</td><td>26</td><td>25</td><td>24</td><td>23</td><td></td><td></td><td></td><td>19</td><td>18</td><td>17</td></tr> <tr><td colspan="2"></td><td></td><td></td><td>16</td><td></td><td></td><td></td><td></td><td></td><td>10</td><td>8</td><td>7</td><td></td><td></td><td></td><td></td><td>2</td><td>1</td><td></td></tr> </table>	72		70		68		66						60	59				55	54	53	52		50		48		46						40	39				35	34	33	73				32	31	30	29	28	27	26	25	24	23				19	18	17					16						10	8	7					2	1	
72		70		68		66						60	59				55	54	53																																																																			
52		50		48		46						40	39				35	34	33																																																																			
73				32	31	30	29	28	27	26	25	24	23				19	18	17																																																																			
				16						10	8	7					2	1																																																																				
AVAILABLE	NOT APPLICABLE	34566-6373	9	A	BLACK	<table border="1"> <tr><td>72</td><td>71</td><td>70</td><td>69</td><td></td><td>67</td><td></td><td></td><td>64</td><td>63</td><td></td><td></td><td>60</td><td>59</td><td>58</td><td>57</td><td>56</td><td>55</td><td>54</td><td>53</td></tr> <tr><td>52</td><td>51</td><td>50</td><td>49</td><td></td><td>47</td><td></td><td>45</td><td>44</td><td>43</td><td>42</td><td>41</td><td>40</td><td>39</td><td></td><td>37</td><td>36</td><td></td><td>34</td><td></td></tr> <tr><td colspan="2">73</td><td></td><td></td><td>32</td><td></td><td>30</td><td></td><td>28</td><td></td><td>26</td><td></td><td></td><td>23</td><td>21</td><td></td><td>19</td><td>18</td><td>17</td><td></td></tr> <tr><td colspan="2"></td><td></td><td></td><td>16</td><td>15</td><td>14</td><td></td><td>12</td><td></td><td>10</td><td></td><td>8</td><td></td><td>5</td><td>3</td><td>2</td><td>1</td><td></td><td></td></tr> </table>	72	71	70	69		67			64	63			60	59	58	57	56	55	54	53	52	51	50	49		47		45	44	43	42	41	40	39		37	36		34		73				32		30		28		26			23	21		19	18	17						16	15	14		12		10		8		5	3	2	1		
72	71	70	69		67			64	63			60	59	58	57	56	55	54	53																																																																			
52	51	50	49		47		45	44	43	42	41	40	39		37	36		34																																																																				
73				32		30		28		26			23	21		19	18	17																																																																				
				16	15	14		12		10		8		5	3	2	1																																																																					
AVAILABLE	NOT APPLICABLE	34566-6383	9	A	BLACK	<table border="1"> <tr><td>72</td><td>71</td><td>70</td><td>69</td><td>68</td><td></td><td>66</td><td>65</td><td>64</td><td>63</td><td></td><td>61</td><td>60</td><td></td><td></td><td>57</td><td>56</td><td></td><td>54</td><td>53</td></tr> <tr><td>52</td><td>51</td><td>50</td><td>49</td><td>48</td><td></td><td>46</td><td>45</td><td>44</td><td>43</td><td>42</td><td>41</td><td>40</td><td>39</td><td>38</td><td>37</td><td>36</td><td></td><td>34</td><td>33</td></tr> <tr><td colspan="2">73</td><td></td><td></td><td>32</td><td>31</td><td>30</td><td>29</td><td>28</td><td></td><td></td><td></td><td></td><td>23</td><td>22</td><td>21</td><td></td><td></td><td></td><td>2</td></tr> <tr><td colspan="2"></td><td></td><td></td><td>15</td><td>14</td><td>13</td><td>12</td><td></td><td></td><td></td><td>9</td><td>7</td><td>6</td><td>5</td><td></td><td></td><td></td><td></td><td>1</td></tr> </table>	72	71	70	69	68		66	65	64	63		61	60			57	56		54	53	52	51	50	49	48		46	45	44	43	42	41	40	39	38	37	36		34	33	73				32	31	30	29	28					23	22	21				2					15	14	13	12				9	7	6	5					1
72	71	70	69	68		66	65	64	63		61	60			57	56		54	53																																																																			
52	51	50	49	48		46	45	44	43	42	41	40	39	38	37	36		34	33																																																																			
73				32	31	30	29	28					23	22	21				2																																																																			
				15	14	13	12				9	7	6	5					1																																																																			
AVAILABLE	NOT APPLICABLE	34566-6393	9	C	BLUE	<table border="1"> <tr><td></td><td>71</td><td>70</td><td>69</td><td></td><td>67</td><td>66</td><td>65</td><td>64</td><td></td><td></td><td>62</td><td>61</td><td>60</td><td></td><td>58</td><td>57</td><td></td><td>55</td><td>54</td></tr> <tr><td>52</td><td>51</td><td>50</td><td>49</td><td></td><td>48</td><td>47</td><td>46</td><td>45</td><td>44</td><td></td><td>42</td><td>41</td><td></td><td></td><td>38</td><td>37</td><td></td><td>35</td><td>34</td></tr> <tr><td colspan="2">73</td><td></td><td></td><td>32</td><td></td><td></td><td></td><td>28</td><td>27</td><td>26</td><td>25</td><td></td><td></td><td></td><td></td><td></td><td></td><td>19</td><td>18</td></tr> <tr><td colspan="2"></td><td></td><td></td><td>16</td><td>15</td><td>14</td><td>13</td><td>12</td><td>11</td><td>10</td><td>9</td><td></td><td></td><td></td><td></td><td></td><td></td><td></td><td></td></tr> </table>		71	70	69		67	66	65	64			62	61	60		58	57		55	54	52	51	50	49		48	47	46	45	44		42	41			38	37		35	34	73				32				28	27	26	25							19	18					16	15	14	13	12	11	10	9								
	71	70	69		67	66	65	64			62	61	60		58	57		55	54																																																																			
52	51	50	49		48	47	46	45	44		42	41			38	37		35	34																																																																			
73				32				28	27	26	25							19	18																																																																			
				16	15	14	13	12	11	10	9																																																																											
AVAILABLE	NOT APPLICABLE	34566-6413	9	B	ST.GRAY	<table border="1"> <tr><td>72</td><td></td><td></td><td></td><td>68</td><td>67</td><td></td><td></td><td></td><td>63</td><td>62</td><td>61</td><td>60</td><td>59</td><td></td><td></td><td></td><td>55</td><td></td><td></td></tr> <tr><td>52</td><td></td><td></td><td></td><td>48</td><td>47</td><td>46</td><td></td><td>44</td><td>43</td><td></td><td>41</td><td>40</td><td></td><td>38</td><td>37</td><td>36</td><td>35</td><td></td><td></td></tr> <tr><td colspan="2">73</td><td></td><td></td><td></td><td></td><td>30</td><td></td><td></td><td>27</td><td></td><td></td><td></td><td></td><td></td><td></td><td></td><td>20</td><td>19</td><td>18</td></tr> <tr><td colspan="2"></td><td></td><td></td><td>16</td><td>15</td><td>14</td><td></td><td></td><td>11</td><td></td><td></td><td>8</td><td></td><td></td><td></td><td>4</td><td></td><td></td><td>1</td></tr> </table>	72				68	67				63	62	61	60	59				55			52				48	47	46		44	43		41	40		38	37	36	35			73						30			27								20	19	18					16	15	14			11			8				4			1
72				68	67				63	62	61	60	59				55																																																																					
52				48	47	46		44	43		41	40		38	37	36	35																																																																					
73						30			27								20	19	18																																																																			
				16	15	14			11			8				4			1																																																																			
AVAILABLE	NOT APPLICABLE	34566-6423	9	C	BLUE	<table border="1"> <tr><td>72</td><td>71</td><td>70</td><td>69</td><td></td><td>67</td><td>66</td><td>65</td><td>64</td><td></td><td></td><td></td><td></td><td></td><td></td><td></td><td>56</td><td></td><td>54</td><td></td></tr> <tr><td>52</td><td>51</td><td>50</td><td>49</td><td></td><td>47</td><td>46</td><td>45</td><td>44</td><td></td><td></td><td></td><td></td><td>39</td><td>38</td><td></td><td></td><td></td><td>34</td><td></td></tr> <tr><td colspan="2">73</td><td></td><td></td><td></td><td>31</td><td>30</td><td>29</td><td>28</td><td></td><td>26</td><td>25</td><td></td><td>23</td><td>22</td><td>21</td><td></td><td></td><td></td><td>17</td></tr> <tr><td colspan="2"></td><td></td><td></td><td>16</td><td>15</td><td>14</td><td>13</td><td>12</td><td></td><td></td><td>9</td><td>7</td><td>6</td><td>5</td><td></td><td></td><td></td><td></td><td></td></tr> </table>	72	71	70	69		67	66	65	64								56		54		52	51	50	49		47	46	45	44					39	38				34		73					31	30	29	28		26	25		23	22	21				17					16	15	14	13	12			9	7	6	5					
72	71	70	69		67	66	65	64								56		54																																																																				
52	51	50	49		47	46	45	44					39	38				34																																																																				
73					31	30	29	28		26	25		23	22	21				17																																																																			
				16	15	14	13	12			9	7	6	5																																																																								

<b>QUALITY SYMBOLS</b> = 0 = 0 = 0 = 0 = 0 = 0 = 0 = 0 = 0	THIS DRAWING CONTAINS INFORMATION THAT IS PROPRIETARY TO MOLEX ELECTRONIC TECHNOLOGIES, LLC AND SHOULD NOT BE USED WITHOUT WRITTEN PERMISSION		<b>GENERAL TOLERANCES (UNLESS SPECIFIED)</b> DIMENSION UNITS: <b>MM</b> SCALE: <b>1:1</b>		  <b>MX123</b> <b>66/73/80CKT HRNS CONN ASSY</b>  <b>PRODUCT CUSTOMER DRAWING</b>
	EC NO: 115716 DRWN: TYE CHKD: JDENG02 REV: APPR: JDENG02	2017/04/21 2017/04/21	DRWN BY: SKRAJENDRANA DATE: 2011/02/14 CHKD BY: MVANSLAMBROU DATE: 2011/02/14 APPR BY:	ANGLUAR TOL ± ° 4 PLACES ± 3 PLACES ± 2 PLACES ± 1 PLACE ± 0 PLACES ±	
RELEASE STATUS:      RELEASE DATE:		DOCUMENT NUMBER: SD-34566-001      DOC TYPE: PSD      DOC PART: 000      SHEET NUMBER: 70 OF 93			

STATUS	GM PART #	MATERIAL #	WIRE DRESS OPTION	KEY OPTION ▽	COLOR (TPA) ▽	NUMBERS INDICATE CAVITIES OPEN FOR CIRCUITS F <sub>P</sub>																																																																															
AVAILABLE	NOT APPLICABLE	34566-6433	9	A	BLACK	<table border="1"> <tr><td>72</td><td>70</td><td></td><td>67</td><td></td><td></td><td>63</td><td></td><td>60</td><td>59</td><td>58</td><td>57</td><td>56</td><td>55</td><td></td><td></td></tr> <tr><td>52</td><td>51</td><td></td><td>48</td><td>47</td><td>46</td><td></td><td>43</td><td>42</td><td>40</td><td>39</td><td>38</td><td>37</td><td>36</td><td>35</td><td></td></tr> <tr><td colspan="3">73</td><td></td><td></td><td></td><td>28</td><td>27</td><td></td><td></td><td>22</td><td>21</td><td></td><td></td><td>18</td><td>17</td></tr> <tr><td colspan="3">73</td><td></td><td></td><td></td><td>12</td><td>11</td><td>9</td><td>7</td><td></td><td></td><td></td><td></td><td>2</td><td>1</td></tr> </table>	72	70		67			63		60	59	58	57	56	55			52	51		48	47	46		43	42	40	39	38	37	36	35		73						28	27			22	21			18	17	73						12	11	9	7					2	1															
72	70		67			63		60	59	58	57	56	55																																																																								
52	51		48	47	46		43	42	40	39	38	37	36	35																																																																							
73						28	27			22	21			18	17																																																																						
73						12	11	9	7					2	1																																																																						
AVAILABLE	NOT APPLICABLE	34566-6443	9	B	ST.GRAY	<table border="1"> <tr><td>72</td><td>71</td><td>70</td><td>69</td><td>68</td><td>67</td><td>66</td><td>65</td><td>64</td><td>63</td><td></td><td>61</td><td>60</td><td></td><td>57</td><td>56</td><td>55</td><td></td><td></td></tr> <tr><td>52</td><td>51</td><td>50</td><td>49</td><td>48</td><td>47</td><td>46</td><td>45</td><td>44</td><td>43</td><td></td><td>41</td><td>40</td><td></td><td>38</td><td>37</td><td>36</td><td>35</td><td>34</td><td>33</td></tr> <tr><td colspan="3">73</td><td></td><td>32</td><td>31</td><td>30</td><td>29</td><td>28</td><td></td><td>26</td><td>25</td><td>24</td><td>23</td><td>22</td><td>21</td><td>20</td><td>19</td><td>18</td><td>17</td></tr> <tr><td colspan="3">73</td><td></td><td>16</td><td>15</td><td>14</td><td>13</td><td>12</td><td>11</td><td></td><td>9</td><td>8</td><td>7</td><td>6</td><td>5</td><td>4</td><td>3</td><td>2</td><td>1</td></tr> </table>	72	71	70	69	68	67	66	65	64	63		61	60		57	56	55			52	51	50	49	48	47	46	45	44	43		41	40		38	37	36	35	34	33	73				32	31	30	29	28		26	25	24	23	22	21	20	19	18	17	73				16	15	14	13	12	11		9	8	7	6	5	4	3	2	1
72	71	70	69	68	67	66	65	64	63		61	60		57	56	55																																																																					
52	51	50	49	48	47	46	45	44	43		41	40		38	37	36	35	34	33																																																																		
73				32	31	30	29	28		26	25	24	23	22	21	20	19	18	17																																																																		
73				16	15	14	13	12	11		9	8	7	6	5	4	3	2	1																																																																		
AVAILABLE	NOT APPLICABLE	34566-6453	0	C	BLUE	<table border="1"> <tr><td></td><td>71</td><td>70</td><td>69</td><td></td><td>67</td><td></td><td>65</td><td>64</td><td></td><td>62</td><td>61</td><td>60</td><td></td><td>57</td><td></td><td>54</td><td></td><td></td></tr> <tr><td>52</td><td>51</td><td>50</td><td>49</td><td>48</td><td>47</td><td>46</td><td>45</td><td>44</td><td></td><td>42</td><td>41</td><td></td><td></td><td>37</td><td></td><td>34</td><td>33</td><td></td></tr> <tr><td colspan="3">73</td><td></td><td>32</td><td></td><td></td><td>28</td><td>27</td><td>26</td><td>25</td><td></td><td></td><td></td><td></td><td></td><td>18</td><td>17</td><td></td></tr> <tr><td colspan="3">73</td><td></td><td>16</td><td>15</td><td>14</td><td>13</td><td>12</td><td>11</td><td>10</td><td>9</td><td>8</td><td>7</td><td></td><td></td><td></td><td></td><td></td></tr> </table>		71	70	69		67		65	64		62	61	60		57		54			52	51	50	49	48	47	46	45	44		42	41			37		34	33		73				32			28	27	26	25						18	17		73				16	15	14	13	12	11	10	9	8	7								
	71	70	69		67		65	64		62	61	60		57		54																																																																					
52	51	50	49	48	47	46	45	44		42	41			37		34	33																																																																				
73				32			28	27	26	25						18	17																																																																				
73				16	15	14	13	12	11	10	9	8	7																																																																								
AVAILABLE	NOT APPLICABLE	34566-6463	0	B	ST.GRAY	<table border="1"> <tr><td>72</td><td></td><td></td><td>68</td><td>67</td><td></td><td></td><td></td><td>62</td><td>61</td><td></td><td></td><td></td><td></td><td>55</td><td></td><td></td><td></td><td></td></tr> <tr><td>52</td><td></td><td></td><td>48</td><td>47</td><td>46</td><td></td><td></td><td>43</td><td></td><td>40</td><td></td><td></td><td></td><td></td><td></td><td></td><td></td><td></td></tr> <tr><td colspan="3">73</td><td></td><td></td><td>30</td><td></td><td></td><td></td><td></td><td></td><td></td><td></td><td></td><td>20</td><td>19</td><td>18</td><td></td><td></td></tr> <tr><td colspan="3">73</td><td></td><td>16</td><td>15</td><td>14</td><td></td><td></td><td></td><td>8</td><td></td><td></td><td></td><td>4</td><td></td><td>2</td><td></td><td></td></tr> </table>	72			68	67				62	61					55					52			48	47	46			43		40									73					30									20	19	18			73				16	15	14				8				4		2					
72			68	67				62	61					55																																																																							
52			48	47	46			43		40																																																																											
73					30									20	19	18																																																																					
73				16	15	14				8				4		2																																																																					
AVAILABLE	NOT APPLICABLE	34566-6473	9	C	BLUE	<table border="1"> <tr><td></td><td></td><td>70</td><td>69</td><td></td><td>67</td><td>66</td><td></td><td>64</td><td></td><td>62</td><td></td><td>60</td><td></td><td>57</td><td></td><td>55</td><td>54</td><td></td></tr> <tr><td>52</td><td>51</td><td>50</td><td>49</td><td>48</td><td>47</td><td>46</td><td>45</td><td>44</td><td></td><td>42</td><td></td><td></td><td></td><td>37</td><td></td><td>35</td><td>34</td><td>33</td></tr> <tr><td colspan="3">73</td><td></td><td>32</td><td></td><td></td><td>28</td><td>27</td><td>26</td><td></td><td></td><td></td><td></td><td></td><td></td><td>19</td><td>18</td><td>17</td></tr> <tr><td colspan="3">73</td><td></td><td>16</td><td>15</td><td>14</td><td>13</td><td>12</td><td>11</td><td>10</td><td>9</td><td>8</td><td>7</td><td></td><td></td><td></td><td></td><td></td></tr> </table>			70	69		67	66		64		62		60		57		55	54		52	51	50	49	48	47	46	45	44		42				37		35	34	33	73				32			28	27	26							19	18	17	73				16	15	14	13	12	11	10	9	8	7								
		70	69		67	66		64		62		60		57		55	54																																																																				
52	51	50	49	48	47	46	45	44		42				37		35	34	33																																																																			
73				32			28	27	26							19	18	17																																																																			
73				16	15	14	13	12	11	10	9	8	7																																																																								
AVAILABLE	NOT APPLICABLE	34566-6483	9	A	BLACK	<table border="1"> <tr><td>72</td><td>71</td><td>70</td><td>69</td><td>68</td><td></td><td>66</td><td>65</td><td>64</td><td>63</td><td></td><td>61</td><td>60</td><td></td><td>57</td><td>56</td><td>54</td><td>53</td><td></td></tr> <tr><td>52</td><td>51</td><td>50</td><td>49</td><td>48</td><td></td><td>46</td><td>45</td><td>44</td><td>43</td><td></td><td>40</td><td>39</td><td>38</td><td>37</td><td>36</td><td>34</td><td>33</td><td></td></tr> <tr><td colspan="3">73</td><td></td><td>32</td><td>31</td><td>30</td><td>29</td><td>28</td><td></td><td>26</td><td>25</td><td>23</td><td>22</td><td>21</td><td>20</td><td></td><td></td><td></td></tr> <tr><td colspan="3">73</td><td></td><td></td><td>15</td><td>14</td><td>13</td><td>12</td><td></td><td>9</td><td>7</td><td>6</td><td>5</td><td></td><td></td><td>2</td><td></td><td></td></tr> </table>	72	71	70	69	68		66	65	64	63		61	60		57	56	54	53		52	51	50	49	48		46	45	44	43		40	39	38	37	36	34	33		73				32	31	30	29	28		26	25	23	22	21	20				73					15	14	13	12		9	7	6	5			2					
72	71	70	69	68		66	65	64	63		61	60		57	56	54	53																																																																				
52	51	50	49	48		46	45	44	43		40	39	38	37	36	34	33																																																																				
73				32	31	30	29	28		26	25	23	22	21	20																																																																						
73					15	14	13	12		9	7	6	5			2																																																																					
AVAILABLE	NOT APPLICABLE	34566-6493	9	B	ST.GRAY	<table border="1"> <tr><td>72</td><td></td><td>70</td><td></td><td></td><td></td><td></td><td></td><td></td><td>62</td><td>61</td><td></td><td></td><td></td><td>55</td><td></td><td></td><td></td><td></td></tr> <tr><td>52</td><td></td><td></td><td>48</td><td>47</td><td>46</td><td></td><td></td><td>43</td><td>41</td><td>40</td><td></td><td></td><td></td><td></td><td></td><td>20</td><td>19</td><td>18</td></tr> <tr><td colspan="3">73</td><td></td><td></td><td>30</td><td></td><td></td><td></td><td></td><td></td><td></td><td></td><td></td><td></td><td>4</td><td></td><td>2</td><td></td></tr> <tr><td colspan="3">73</td><td></td><td>16</td><td>15</td><td>14</td><td></td><td></td><td></td><td></td><td></td><td></td><td></td><td></td><td></td><td></td><td></td><td></td></tr> </table>	72		70							62	61				55					52			48	47	46			43	41	40						20	19	18	73					30										4		2		73				16	15	14															
72		70							62	61				55																																																																							
52			48	47	46			43	41	40						20	19	18																																																																			
73					30										4		2																																																																				
73				16	15	14																																																																															
AVAILABLE	NOT APPLICABLE	34566-6513	0	B	ST.GRAY	<table border="1"> <tr><td>72</td><td></td><td></td><td></td><td>68</td><td>67</td><td></td><td></td><td></td><td>62</td><td>61</td><td></td><td></td><td></td><td></td><td>55</td><td>54</td><td></td><td></td></tr> <tr><td>52</td><td></td><td></td><td></td><td></td><td>46</td><td></td><td></td><td>43</td><td></td><td>40</td><td></td><td></td><td></td><td></td><td></td><td>20</td><td>19</td><td>18</td></tr> <tr><td colspan="3">73</td><td></td><td></td><td></td><td></td><td></td><td></td><td></td><td></td><td></td><td></td><td></td><td></td><td>4</td><td>3</td><td>2</td><td>17</td></tr> <tr><td colspan="3">73</td><td></td><td>16</td><td>15</td><td>14</td><td></td><td></td><td></td><td>8</td><td></td><td></td><td></td><td></td><td></td><td></td><td></td><td></td></tr> </table>	72				68	67				62	61					55	54			52					46			43		40						20	19	18	73															4	3	2	17	73				16	15	14				8											
72				68	67				62	61					55	54																																																																					
52					46			43		40						20	19	18																																																																			
73															4	3	2	17																																																																			
73				16	15	14				8																																																																											
AVAILABLE	NOT APPLICABLE	34566-6523	0	B	ST.GRAY	<table border="1"> <tr><td></td><td></td><td></td><td></td><td>68</td><td>67</td><td></td><td></td><td>64</td><td></td><td></td><td></td><td>59</td><td>58</td><td></td><td></td><td>54</td><td></td><td></td></tr> <tr><td></td><td></td><td></td><td></td><td></td><td>46</td><td>45</td><td></td><td></td><td></td><td></td><td></td><td>39</td><td>38</td><td></td><td></td><td></td><td></td><td></td></tr> <tr><td colspan="3">73</td><td></td><td>32</td><td>30</td><td>29</td><td>28</td><td>27</td><td></td><td></td><td></td><td>23</td><td>22</td><td></td><td></td><td></td><td></td><td>17</td></tr> <tr><td colspan="3">73</td><td></td><td></td><td>15</td><td>13</td><td>11</td><td>10</td><td></td><td></td><td></td><td>6</td><td></td><td></td><td></td><td></td><td></td><td>1</td></tr> </table>					68	67			64				59	58			54								46	45						39	38						73				32	30	29	28	27				23	22					17	73					15	13	11	10				6						1			
				68	67			64				59	58			54																																																																					
					46	45						39	38																																																																								
73				32	30	29	28	27				23	22					17																																																																			
73					15	13	11	10				6						1																																																																			

<b>QUALITY SYMBOLS</b> ▽ = 0 ▽ = 0 ▽ = 0 ▽ = 0 ▽ = 0 ▽ = 0 ▽ = 0 ▽ = 0 ▽ = 0	THIS DRAWING CONTAINS INFORMATION THAT IS PROPRIETARY TO MOLEX ELECTRONIC TECHNOLOGIES, LLC AND SHOULD NOT BE USED WITHOUT WRITTEN PERMISSION											
	2017/04/12	2017/04/21	GENERAL TOLERANCES (UNLESS SPECIFIED)		DIMENSION UNITS	SCALE	 MX123 66/73/80CKT HRNS CONN ASSY PRODUCT CUSTOMER DRAWING					
	DRWN: TYE	CHKD: JDENG02	ANGULAR TOL ± °		MM	1:1						
	EC NO: 115716	REV: APPR: JDENG02	4 PLACES ±	SKRAJENDRANA	DATE	2011/02/14						
			3 PLACES ±	CHKD BY	DATE							
			2 PLACES ±	MVANSLAMBROU	DATE	2011/02/14						
			1 PLACE ±	APPR BY	DATE							
			0 PLACES ±	DRAWING SIZE							THIRD ANGLE PROJECTION	
			DRAFT WHERE APPLICABLE MUST REMAIN WITHIN DIMENSIONS								D	
			SERIES		MATERIAL NUMBER	CUSTOMER						
		34566		SEE BOM TABLE	GENERAL MARKET							
		DOCUMENT NUMBER		DOC TYPE	DOC PART	SHEET NUMBER						
		SD-34566-001		PSD	000	71 OF 93						




STATUS	GM PART #	MATERIAL #	WIRE DRESS OPTION	KEY OPTION	COLOR (TPA)	NUMBERS INDICATE CAVITIES OPEN FOR CIRCUITS Fp																																																																																
AVAILABLE	NOT APPLICABLE	34566-6633	9	C	BLUE	<table border="1"> <tr><td></td><td></td><td></td><td>69</td><td>67</td><td>66</td><td></td><td>64</td><td>62</td><td>60</td><td></td><td></td><td>57</td><td></td><td>54</td><td></td></tr> <tr><td>52</td><td>51</td><td>50</td><td></td><td>48</td><td></td><td>46</td><td>45</td><td>44</td><td>42</td><td></td><td></td><td>37</td><td></td><td>34</td><td>33</td></tr> <tr><td colspan="3">73</td><td></td><td></td><td></td><td></td><td>28</td><td>27</td><td>26</td><td></td><td></td><td></td><td></td><td></td><td></td></tr> <tr><td></td><td></td><td></td><td>16</td><td>15</td><td>14</td><td>13</td><td>12</td><td>11</td><td>10</td><td>9</td><td>8</td><td>7</td><td></td><td></td><td></td></tr> </table>				69	67	66		64	62	60			57		54		52	51	50		48		46	45	44	42			37		34	33	73							28	27	26										16	15	14	13	12	11	10	9	8	7																			
			69	67	66		64	62	60			57		54																																																																								
52	51	50		48		46	45	44	42			37		34	33																																																																							
73							28	27	26																																																																													
			16	15	14	13	12	11	10	9	8	7																																																																										
AVAILABLE	NOT APPLICABLE	34566-6643	9	C	BLUE	<table border="1"> <tr><td></td><td>71</td><td></td><td></td><td>68</td><td>67</td><td></td><td>65</td><td>64</td><td>63</td><td></td><td>61</td><td>60</td><td></td><td>58</td><td>57</td><td></td><td>54</td><td></td></tr> <tr><td>52</td><td>51</td><td>50</td><td></td><td>48</td><td></td><td></td><td>45</td><td></td><td>43</td><td></td><td>41</td><td></td><td></td><td>38</td><td>37</td><td></td><td>34</td><td>33</td></tr> <tr><td colspan="3">73</td><td></td><td></td><td></td><td></td><td>28</td><td>27</td><td>25</td><td></td><td></td><td></td><td></td><td></td><td></td><td></td><td>18</td><td></td></tr> <tr><td></td><td></td><td></td><td>16</td><td>15</td><td>14</td><td>13</td><td>12</td><td>11</td><td>10</td><td>9</td><td>8</td><td>7</td><td></td><td></td><td></td><td></td><td></td><td></td></tr> </table>		71			68	67		65	64	63		61	60		58	57		54		52	51	50		48			45		43		41			38	37		34	33	73							28	27	25								18					16	15	14	13	12	11	10	9	8	7										
	71			68	67		65	64	63		61	60		58	57		54																																																																					
52	51	50		48			45		43		41			38	37		34	33																																																																				
73							28	27	25								18																																																																					
			16	15	14	13	12	11	10	9	8	7																																																																										
AVAILABLE	NOT APPLICABLE	34566-6653	9	B	ST.GRAY	<table border="1"> <tr><td>72</td><td></td><td></td><td></td><td>68</td><td></td><td></td><td></td><td></td><td></td><td>62</td><td>61</td><td>60</td><td>59</td><td></td><td></td><td></td><td>55</td><td></td></tr> <tr><td>52</td><td></td><td></td><td></td><td>48</td><td>47</td><td>46</td><td></td><td>44</td><td>43</td><td></td><td>41</td><td>40</td><td></td><td>38</td><td>37</td><td>36</td><td>35</td><td></td></tr> <tr><td colspan="3">73</td><td></td><td></td><td>30</td><td></td><td></td><td></td><td></td><td></td><td></td><td>8</td><td></td><td></td><td>5</td><td>4</td><td></td><td>1</td></tr> <tr><td></td><td></td><td></td><td>16</td><td></td><td>14</td><td></td><td></td><td></td><td></td><td></td><td></td><td></td><td></td><td></td><td></td><td></td><td></td><td></td></tr> </table>	72				68						62	61	60	59				55		52				48	47	46		44	43		41	40		38	37	36	35		73					30							8			5	4		1				16		14																	
72				68						62	61	60	59				55																																																																					
52				48	47	46		44	43		41	40		38	37	36	35																																																																					
73					30							8			5	4		1																																																																				
			16		14																																																																																	
AVAILABLE	NOT APPLICABLE	34566-6663	9	A	BLACK	<table border="1"> <tr><td>72</td><td>71</td><td>70</td><td>69</td><td>68</td><td></td><td>66</td><td>65</td><td>64</td><td>63</td><td></td><td></td><td>60</td><td></td><td></td><td>57</td><td>56</td><td></td><td>54</td></tr> <tr><td>52</td><td>51</td><td>50</td><td>49</td><td>48</td><td></td><td>46</td><td>45</td><td>44</td><td>43</td><td>42</td><td></td><td>40</td><td>39</td><td>38</td><td>37</td><td>36</td><td></td><td>34</td></tr> <tr><td colspan="3">73</td><td></td><td>32</td><td>31</td><td>30</td><td>29</td><td>28</td><td></td><td>26</td><td>25</td><td></td><td>23</td><td>22</td><td>21</td><td>20</td><td></td><td></td></tr> <tr><td></td><td></td><td></td><td></td><td></td><td>15</td><td>14</td><td>13</td><td>12</td><td></td><td></td><td>9</td><td></td><td>7</td><td>6</td><td>5</td><td>4</td><td></td><td>2</td></tr> </table>	72	71	70	69	68		66	65	64	63			60			57	56		54	52	51	50	49	48		46	45	44	43	42		40	39	38	37	36		34	73				32	31	30	29	28		26	25		23	22	21	20								15	14	13	12			9		7	6	5	4		2				
72	71	70	69	68		66	65	64	63			60			57	56		54																																																																				
52	51	50	49	48		46	45	44	43	42		40	39	38	37	36		34																																																																				
73				32	31	30	29	28		26	25		23	22	21	20																																																																						
					15	14	13	12			9		7	6	5	4		2																																																																				
AVAILABLE	NOT APPLICABLE	34566-6673	9	B	ST.GRAY	<table border="1"> <tr><td>72</td><td>71</td><td>70</td><td>69</td><td>68</td><td>67</td><td>66</td><td>65</td><td>64</td><td>63</td><td></td><td>61</td><td>60</td><td>59</td><td></td><td>57</td><td>56</td><td>55</td><td></td></tr> <tr><td>52</td><td>51</td><td>50</td><td>49</td><td>48</td><td>47</td><td>46</td><td>45</td><td>44</td><td>43</td><td></td><td>41</td><td>40</td><td>39</td><td>38</td><td>37</td><td>36</td><td>35</td><td>34</td><td>33</td></tr> <tr><td colspan="3">73</td><td></td><td>32</td><td>31</td><td>30</td><td>29</td><td>28</td><td></td><td>26</td><td>24</td><td>23</td><td>22</td><td>21</td><td>20</td><td>19</td><td>18</td><td>17</td><td></td></tr> <tr><td></td><td></td><td></td><td></td><td>16</td><td>15</td><td>14</td><td>13</td><td>12</td><td>11</td><td></td><td>9</td><td>8</td><td>7</td><td>6</td><td>5</td><td>4</td><td>3</td><td>2</td><td>1</td></tr> </table>	72	71	70	69	68	67	66	65	64	63		61	60	59		57	56	55		52	51	50	49	48	47	46	45	44	43		41	40	39	38	37	36	35	34	33	73				32	31	30	29	28		26	24	23	22	21	20	19	18	17						16	15	14	13	12	11		9	8	7	6	5	4	3	2	1	
72	71	70	69	68	67	66	65	64	63		61	60	59		57	56	55																																																																					
52	51	50	49	48	47	46	45	44	43		41	40	39	38	37	36	35	34	33																																																																			
73				32	31	30	29	28		26	24	23	22	21	20	19	18	17																																																																				
				16	15	14	13	12	11		9	8	7	6	5	4	3	2	1																																																																			
AVAILABLE	NOT APPLICABLE	34566-6683	9	A	BLACK	<table border="1"> <tr><td>72</td><td></td><td>70</td><td></td><td></td><td>67</td><td></td><td></td><td></td><td></td><td>63</td><td></td><td>60</td><td>59</td><td>58</td><td>57</td><td></td><td></td><td></td></tr> <tr><td>52</td><td></td><td></td><td></td><td>48</td><td>47</td><td>46</td><td></td><td></td><td>43</td><td>42</td><td></td><td>40</td><td>39</td><td>38</td><td>37</td><td></td><td></td><td></td></tr> <tr><td colspan="3">73</td><td></td><td>32</td><td>31</td><td>30</td><td>29</td><td>28</td><td>27</td><td></td><td></td><td></td><td></td><td>22</td><td>21</td><td></td><td></td><td></td></tr> <tr><td></td><td></td><td></td><td></td><td>16</td><td>15</td><td>14</td><td>13</td><td>12</td><td>11</td><td></td><td>9</td><td></td><td></td><td>6</td><td></td><td></td><td></td><td>2</td><td>1</td></tr> </table>	72		70			67					63		60	59	58	57				52				48	47	46			43	42		40	39	38	37				73				32	31	30	29	28	27					22	21								16	15	14	13	12	11		9			6				2	1			
72		70			67					63		60	59	58	57																																																																							
52				48	47	46			43	42		40	39	38	37																																																																							
73				32	31	30	29	28	27					22	21																																																																							
				16	15	14	13	12	11		9			6				2	1																																																																			
AVAILABLE	NOT APPLICABLE	34566-6693	9	C	BLUE	<table border="1"> <tr><td>72</td><td>71</td><td>70</td><td>69</td><td></td><td>67</td><td>66</td><td>65</td><td>64</td><td></td><td></td><td></td><td></td><td></td><td></td><td>56</td><td></td><td></td><td>54</td></tr> <tr><td>52</td><td>51</td><td>50</td><td>49</td><td></td><td>47</td><td>46</td><td>45</td><td>44</td><td></td><td></td><td></td><td></td><td>39</td><td>38</td><td></td><td></td><td></td><td>34</td></tr> <tr><td colspan="3">73</td><td></td><td></td><td>31</td><td>30</td><td>29</td><td>28</td><td></td><td>26</td><td>25</td><td>24</td><td>23</td><td>22</td><td>21</td><td></td><td></td><td>17</td></tr> <tr><td></td><td></td><td></td><td></td><td></td><td>16</td><td>15</td><td>14</td><td>13</td><td>12</td><td></td><td>9</td><td>8</td><td>7</td><td>6</td><td>5</td><td></td><td></td><td></td></tr> </table>	72	71	70	69		67	66	65	64							56			54	52	51	50	49		47	46	45	44					39	38				34	73					31	30	29	28		26	25	24	23	22	21			17						16	15	14	13	12		9	8	7	6	5							
72	71	70	69		67	66	65	64							56			54																																																																				
52	51	50	49		47	46	45	44					39	38				34																																																																				
73					31	30	29	28		26	25	24	23	22	21			17																																																																				
					16	15	14	13	12		9	8	7	6	5																																																																							
AVAILABLE	NOT APPLICABLE	34822-0063	9	A	BLACK	<table border="1"> <tr><td></td><td>63</td><td>62</td><td>61</td><td>60</td><td>59</td><td></td><td></td><td></td><td></td><td>54</td><td>53</td><td></td><td>51</td><td></td><td>49</td><td></td><td></td><td>66</td></tr> <tr><td></td><td>47</td><td></td><td></td><td></td><td></td><td></td><td></td><td></td><td></td><td>38</td><td>37</td><td></td><td>35</td><td></td><td>33</td><td></td><td></td><td></td></tr> <tr><td colspan="3">65</td><td></td><td></td><td></td><td></td><td></td><td>28</td><td></td><td>25</td><td></td><td></td><td>22</td><td>21</td><td>20</td><td>19</td><td>18</td><td>17</td></tr> <tr><td></td><td></td><td></td><td></td><td></td><td>15</td><td>14</td><td>13</td><td></td><td></td><td></td><td>8</td><td>7</td><td></td><td></td><td></td><td>3</td><td>2</td><td>1</td></tr> </table>		63	62	61	60	59					54	53		51		49			66		47									38	37		35		33				65								28		25			22	21	20	19	18	17						15	14	13				8	7				3	2	1				
	63	62	61	60	59					54	53		51		49			66																																																																				
	47									38	37		35		33																																																																							
65								28		25			22	21	20	19	18	17																																																																				
					15	14	13				8	7				3	2	1																																																																				
AVAILABLE	NOT APPLICABLE	34566-6713	9	A	BLACK	<table border="1"> <tr><td>72</td><td>71</td><td>70</td><td>69</td><td>68</td><td></td><td>66</td><td>65</td><td>64</td><td>63</td><td></td><td>61</td><td>60</td><td></td><td></td><td>57</td><td>56</td><td></td><td>54</td><td>53</td></tr> <tr><td>52</td><td>51</td><td>50</td><td>49</td><td>48</td><td></td><td>46</td><td>45</td><td>44</td><td>43</td><td>42</td><td>41</td><td>40</td><td>39</td><td>38</td><td>37</td><td>36</td><td></td><td>34</td><td>33</td></tr> <tr><td colspan="3">73</td><td></td><td>32</td><td>31</td><td>30</td><td>29</td><td>28</td><td></td><td>26</td><td>25</td><td></td><td>23</td><td>22</td><td>21</td><td></td><td></td><td></td><td></td></tr> <tr><td></td><td></td><td></td><td></td><td></td><td>15</td><td>14</td><td>13</td><td>12</td><td></td><td></td><td>9</td><td></td><td>7</td><td>6</td><td>5</td><td></td><td></td><td>2</td><td>1</td></tr> </table>	72	71	70	69	68		66	65	64	63		61	60			57	56		54	53	52	51	50	49	48		46	45	44	43	42	41	40	39	38	37	36		34	33	73				32	31	30	29	28		26	25		23	22	21										15	14	13	12			9		7	6	5			2	1
72	71	70	69	68		66	65	64	63		61	60			57	56		54	53																																																																			
52	51	50	49	48		46	45	44	43	42	41	40	39	38	37	36		34	33																																																																			
73				32	31	30	29	28		26	25		23	22	21																																																																							
					15	14	13	12			9		7	6	5			2	1																																																																			

<b>QUALITY SYMBOLS</b> 	THIS DRAWING CONTAINS INFORMATION THAT IS PROPRIETARY TO MOLEX ELECTRONIC TECHNOLOGIES, LLC AND SHOULD NOT BE USED WITHOUT WRITTEN PERMISSION									
	2017/04/12	2017/04/21	GENERAL TOLERANCES (UNLESS SPECIFIED)		DIMENSION UNITS	SCALE				
	DRWN: TYE	CHKD: JDENG02	ANGULAR TOL ± °		MM	1:1				
	REV: APPR: JDENG02	4 PLACES ±		DRWN BY	DATE					
	3 PLACES ±		SKRAJENDRANA	2011/02/14						
	2 PLACES ±		CHKD BY	DATE						
	1 PLACE ±		MVANSLAMBROU	2011/02/14						
	0 PLACES ±		APPR BY	DATE						
	DRAFT WHERE APPLICABLE MUST REMAIN WITHIN DIMENSIONS		DRAWING SIZE	THIRD ANGLE PROJECTION						
	D									
G50		SERIES	MATERIAL NUMBER	CUSTOMER						
		34566	SEE BOM TABLE	GENERAL MARKET						
		DOCUMENT NUMBER	DOC TYPE	DOC PART	SHEET NUMBER					
		SD-34566-001	PSD	000	73 OF 93					

STATUS	GM PART #	MATERIAL #	WIRE DRESS OPTION	KEY OPTION	COLOR (TPA)	NUMBERS INDICATE CAVITIES OPEN FOR CIRCUITS F <sub>p</sub>																																																																																																																							
AVAILABLE	NOT APPLICABLE	34566-6723	0	H	ST.GRAY	<table border="1"> <tr><td></td><td></td><td></td><td></td><td></td><td>74</td><td>73</td><td></td><td></td><td></td><td></td><td></td><td></td><td></td><td></td><td>67</td><td></td><td>65</td><td>64</td><td>63</td><td>62</td><td>61</td></tr> <tr><td></td><td></td><td></td><td></td><td></td><td></td><td>53</td><td>52</td><td></td><td></td><td></td><td></td><td></td><td></td><td></td><td></td><td></td><td></td><td></td><td>44</td><td>43</td><td>42</td><td>41</td></tr> <tr><td></td><td></td><td></td><td></td><td></td><td></td><td>38</td><td></td><td></td><td></td><td></td><td></td><td></td><td></td><td></td><td>27</td><td></td><td>25</td><td></td><td></td><td></td><td></td><td></td></tr> <tr><td></td><td></td><td></td><td></td><td></td><td></td><td>18</td><td></td><td></td><td>15</td><td>14</td><td>13</td><td>12</td><td></td><td>10</td><td>9</td><td>8</td><td>7</td><td></td><td></td><td></td><td></td><td></td></tr> </table>						74	73									67		65	64	63	62	61							53	52												44	43	42	41							38									27		25												18			15	14	13	12		10	9	8	7																																	
					74	73									67		65	64	63	62	61																																																																																																								
						53	52												44	43	42	41																																																																																																							
						38									27		25																																																																																																												
						18			15	14	13	12		10	9	8	7																																																																																																												
AVAILABLE	NOT APPLICABLE	34566-6733	0	G	BLUE	<table border="1"> <tr><td></td><td></td><td></td><td>78</td><td>77</td><td></td><td>75</td><td>74</td><td></td><td></td><td>72</td><td></td><td>70</td><td></td><td></td><td></td><td></td><td></td><td></td><td>64</td><td>63</td><td></td><td></td></tr> <tr><td>60</td><td></td><td>58</td><td>57</td><td></td><td>55</td><td>54</td><td></td><td></td><td>52</td><td>51</td><td>50</td><td>49</td><td></td><td></td><td>47</td><td></td><td>45</td><td></td><td></td><td></td><td></td><td></td></tr> <tr><td>40</td><td>39</td><td>38</td><td>37</td><td></td><td></td><td></td><td></td><td></td><td>33</td><td>32</td><td>31</td><td></td><td></td><td></td><td>27</td><td>26</td><td></td><td></td><td></td><td></td><td></td><td></td></tr> <tr><td>20</td><td>19</td><td>18</td><td>17</td><td></td><td></td><td></td><td></td><td></td><td></td><td></td><td></td><td>10</td><td>9</td><td>8</td><td></td><td>6</td><td></td><td>4</td><td>3</td><td>2</td><td>1</td></tr> </table>				78	77		75	74			72		70							64	63			60		58	57		55	54			52	51	50	49			47		45						40	39	38	37						33	32	31				27	26							20	19	18	17									10	9	8		6		4	3	2	1																												
			78	77		75	74			72		70							64	63																																																																																																									
60		58	57		55	54			52	51	50	49			47		45																																																																																																												
40	39	38	37						33	32	31				27	26																																																																																																													
20	19	18	17									10	9	8		6		4	3	2	1																																																																																																								
AVAILABLE	NOT APPLICABLE	34566-6743	9	C	BLUE	<table border="1"> <tr><td></td><td>71</td><td></td><td>69</td><td>68</td><td>67</td><td></td><td>65</td><td>64</td><td>63</td><td></td><td>61</td><td>60</td><td></td><td></td><td></td><td></td><td>57</td><td></td><td></td><td></td><td></td></tr> <tr><td>52</td><td>51</td><td>50</td><td></td><td>48</td><td></td><td>46</td><td>45</td><td></td><td>43</td><td></td><td>41</td><td></td><td></td><td></td><td></td><td></td><td>37</td><td></td><td></td><td></td><td>34</td><td>33</td></tr> <tr><td></td><td></td><td></td><td></td><td></td><td></td><td></td><td></td><td></td><td>28</td><td>27</td><td></td><td>25</td><td></td><td></td><td></td><td></td><td></td><td></td><td></td><td></td><td></td><td></td></tr> <tr><td></td><td></td><td>73</td><td></td><td></td><td></td><td>16</td><td>15</td><td>14</td><td>13</td><td>12</td><td>11</td><td>10</td><td>9</td><td>8</td><td>7</td><td></td><td></td><td></td><td></td><td></td><td></td><td></td></tr> </table>		71		69	68	67		65	64	63		61	60					57					52	51	50		48		46	45		43		41						37				34	33										28	27		25													73				16	15	14	13	12	11	10	9	8	7																																			
	71		69	68	67		65	64	63		61	60					57																																																																																																												
52	51	50		48		46	45		43		41						37				34	33																																																																																																							
									28	27		25																																																																																																																	
		73				16	15	14	13	12	11	10	9	8	7																																																																																																														
AVAILABLE	NOT APPLICABLE	34566-6753	9	A	BLACK	<table border="1"> <tr><td>72</td><td>71</td><td>70</td><td>69</td><td>68</td><td></td><td>66</td><td>65</td><td>64</td><td></td><td></td><td>61</td><td>60</td><td></td><td></td><td></td><td></td><td>57</td><td>56</td><td></td><td>54</td><td>53</td></tr> <tr><td>52</td><td>51</td><td>50</td><td>49</td><td>48</td><td></td><td>46</td><td>45</td><td>44</td><td>43</td><td>42</td><td></td><td>40</td><td>39</td><td>38</td><td>37</td><td>36</td><td></td><td></td><td></td><td>34</td><td>33</td></tr> <tr><td></td><td></td><td></td><td></td><td></td><td></td><td></td><td>31</td><td>30</td><td>29</td><td>28</td><td></td><td></td><td></td><td></td><td></td><td></td><td>23</td><td>22</td><td>21</td><td>20</td><td></td><td></td></tr> <tr><td></td><td></td><td></td><td></td><td></td><td></td><td></td><td>15</td><td>14</td><td>13</td><td>12</td><td></td><td></td><td></td><td></td><td></td><td>7</td><td>6</td><td>5</td><td>4</td><td></td><td></td><td>2</td></tr> </table>	72	71	70	69	68		66	65	64			61	60					57	56		54	53	52	51	50	49	48		46	45	44	43	42		40	39	38	37	36				34	33								31	30	29	28							23	22	21	20										15	14	13	12						7	6	5	4			2																													
72	71	70	69	68		66	65	64			61	60					57	56		54	53																																																																																																								
52	51	50	49	48		46	45	44	43	42		40	39	38	37	36				34	33																																																																																																								
							31	30	29	28							23	22	21	20																																																																																																									
							15	14	13	12						7	6	5	4			2																																																																																																							
AVAILABLE	NOT APPLICABLE	34566-6763	9	B	ST.GRAY	<table border="1"> <tr><td>72</td><td></td><td></td><td></td><td>68</td><td></td><td></td><td></td><td></td><td></td><td></td><td>62</td><td>61</td><td></td><td></td><td></td><td></td><td></td><td></td><td></td><td></td><td>55</td><td></td></tr> <tr><td>52</td><td></td><td>50</td><td>49</td><td></td><td></td><td>46</td><td>45</td><td></td><td>43</td><td></td><td></td><td></td><td>40</td><td></td><td></td><td></td><td></td><td></td><td></td><td></td><td></td><td>34</td><td></td></tr> <tr><td></td><td></td><td></td><td></td><td></td><td></td><td></td><td></td><td></td><td>29</td><td></td><td></td><td></td><td></td><td></td><td></td><td></td><td></td><td>22</td><td>21</td><td>20</td><td>19</td><td>18</td><td></td></tr> <tr><td></td><td></td><td></td><td></td><td></td><td></td><td></td><td></td><td></td><td></td><td></td><td></td><td></td><td>8</td><td></td><td></td><td></td><td>6</td><td>5</td><td>4</td><td></td><td></td><td></td><td></td></tr> <tr><td></td><td></td><td></td><td></td><td></td><td></td><td></td><td></td><td></td><td></td><td></td><td></td><td></td><td></td><td></td><td></td><td></td><td></td><td></td><td></td><td></td><td></td><td></td><td></td></tr> </table>	72				68							62	61									55		52		50	49			46	45		43				40									34											29									22	21	20	19	18															8				6	5	4																												
72				68							62	61									55																																																																																																								
52		50	49			46	45		43				40									34																																																																																																							
									29									22	21	20	19	18																																																																																																							
													8				6	5	4																																																																																																										
AVAILABLE	NOT APPLICABLE	34566-6773	0	C	BLUE	<table border="1"> <tr><td>72</td><td></td><td>70</td><td></td><td>68</td><td></td><td>66</td><td></td><td></td><td></td><td></td><td>63</td><td>62</td><td></td><td></td><td>59</td><td>58</td><td>57</td><td></td><td></td><td></td><td></td><td>53</td></tr> <tr><td>52</td><td>51</td><td></td><td>49</td><td>48</td><td>47</td><td>46</td><td></td><td>44</td><td></td><td></td><td>42</td><td></td><td>40</td><td>39</td><td></td><td></td><td></td><td></td><td></td><td></td><td>34</td><td>33</td></tr> <tr><td></td><td></td><td></td><td></td><td></td><td></td><td></td><td>32</td><td>30</td><td></td><td></td><td></td><td>26</td><td>25</td><td></td><td></td><td></td><td></td><td>22</td><td>21</td><td></td><td>19</td><td>18</td><td>17</td></tr> <tr><td></td><td></td><td></td><td></td><td></td><td></td><td></td><td></td><td>15</td><td>14</td><td></td><td></td><td>10</td><td>9</td><td></td><td></td><td></td><td></td><td>6</td><td>5</td><td>4</td><td></td><td></td><td>1</td></tr> </table>	72		70		68		66					63	62			59	58	57					53	52	51		49	48	47	46		44			42		40	39							34	33								32	30				26	25					22	21		19	18	17									15	14			10	9					6	5	4			1																									
72		70		68		66					63	62			59	58	57					53																																																																																																							
52	51		49	48	47	46		44			42		40	39							34	33																																																																																																							
							32	30				26	25					22	21		19	18	17																																																																																																						
								15	14			10	9					6	5	4			1																																																																																																						
AVAILABLE	NOT APPLICABLE	34566-6783	0	B	ST.GRAY	<table border="1"> <tr><td>72</td><td></td><td>70</td><td></td><td>68</td><td></td><td>66</td><td></td><td></td><td></td><td></td><td></td><td></td><td>60</td><td>59</td><td></td><td></td><td></td><td></td><td></td><td></td><td>55</td><td>54</td><td>53</td></tr> <tr><td>52</td><td></td><td>50</td><td></td><td>48</td><td></td><td>46</td><td></td><td></td><td>43</td><td></td><td></td><td></td><td>40</td><td>39</td><td></td><td></td><td></td><td></td><td></td><td></td><td>35</td><td>34</td><td>33</td></tr> <tr><td></td><td></td><td></td><td></td><td></td><td></td><td></td><td>32</td><td>31</td><td>30</td><td>29</td><td>28</td><td>27</td><td>26</td><td>25</td><td>24</td><td>23</td><td></td><td></td><td></td><td></td><td></td><td></td><td>17</td></tr> <tr><td></td><td></td><td></td><td></td><td></td><td></td><td></td><td>16</td><td></td><td></td><td></td><td></td><td></td><td>10</td><td>8</td><td>7</td><td></td><td></td><td></td><td></td><td></td><td></td><td></td><td>2</td></tr> </table>	72		70		68		66							60	59							55	54	53	52		50		48		46			43				40	39							35	34	33								32	31	30	29	28	27	26	25	24	23							17								16						10	8	7								2																							
72		70		68		66							60	59							55	54	53																																																																																																						
52		50		48		46			43				40	39							35	34	33																																																																																																						
							32	31	30	29	28	27	26	25	24	23							17																																																																																																						
							16						10	8	7								2																																																																																																						
AVAILABLE	NOT APPLICABLE	34566-6793	0	B	ST.GRAY	<table border="1"> <tr><td>72</td><td></td><td>70</td><td></td><td>68</td><td></td><td>66</td><td></td><td>64</td><td>63</td><td></td><td></td><td></td><td>60</td><td>59</td><td></td><td></td><td></td><td></td><td></td><td></td><td>55</td><td>54</td><td>53</td></tr> <tr><td>52</td><td></td><td>50</td><td></td><td>48</td><td></td><td>46</td><td></td><td></td><td>43</td><td></td><td></td><td></td><td>40</td><td>39</td><td></td><td></td><td></td><td></td><td></td><td></td><td>35</td><td>34</td><td>33</td></tr> <tr><td></td><td></td><td></td><td></td><td></td><td></td><td></td><td>32</td><td>31</td><td>30</td><td>29</td><td>28</td><td>27</td><td>26</td><td>25</td><td>24</td><td>23</td><td></td><td></td><td></td><td>20</td><td></td><td></td><td>17</td></tr> <tr><td></td><td></td><td></td><td></td><td></td><td></td><td></td><td>16</td><td></td><td></td><td></td><td></td><td></td><td>10</td><td>8</td><td>7</td><td></td><td></td><td></td><td></td><td></td><td></td><td></td><td>2</td></tr> </table>	72		70		68		66		64	63				60	59							55	54	53	52		50		48		46			43				40	39							35	34	33								32	31	30	29	28	27	26	25	24	23				20			17								16						10	8	7								2																							
72		70		68		66		64	63				60	59							55	54	53																																																																																																						
52		50		48		46			43				40	39							35	34	33																																																																																																						
							32	31	30	29	28	27	26	25	24	23				20			17																																																																																																						
							16						10	8	7								2																																																																																																						
AVAILABLE	NOT APPLICABLE	34566-6813	9	A	BLACK	<table border="1"> <tr><td></td><td>71</td><td>70</td><td>69</td><td>68</td><td>67</td><td></td><td>65</td><td>64</td><td>63</td><td>62</td><td>61</td><td>60</td><td></td><td></td><td>58</td><td>57</td><td>56</td><td>55</td><td>54</td><td>53</td><td></td><td></td></tr> <tr><td>52</td><td>51</td><td>50</td><td>49</td><td>48</td><td>47</td><td></td><td>45</td><td>44</td><td>43</td><td>42</td><td>41</td><td>40</td><td>39</td><td></td><td></td><td></td><td></td><td></td><td></td><td>34</td><td></td><td></td></tr> <tr><td></td><td></td><td></td><td></td><td></td><td></td><td></td><td>32</td><td>30</td><td>29</td><td>28</td><td>27</td><td>26</td><td>25</td><td>24</td><td></td><td></td><td></td><td></td><td>21</td><td></td><td></td><td>18</td></tr> <tr><td></td><td></td><td></td><td></td><td></td><td></td><td></td><td>16</td><td>15</td><td>14</td><td>13</td><td>12</td><td>11</td><td>10</td><td>9</td><td>8</td><td></td><td></td><td>5</td><td>3</td><td></td><td></td><td></td></tr> </table>		71	70	69	68	67		65	64	63	62	61	60			58	57	56	55	54	53			52	51	50	49	48	47		45	44	43	42	41	40	39							34										32	30	29	28	27	26	25	24					21			18								16	15	14	13	12	11	10	9	8			5	3																														
	71	70	69	68	67		65	64	63	62	61	60			58	57	56	55	54	53																																																																																																									
52	51	50	49	48	47		45	44	43	42	41	40	39							34																																																																																																									
							32	30	29	28	27	26	25	24					21			18																																																																																																							
							16	15	14	13	12	11	10	9	8			5	3																																																																																																										

<table border="1"> <tr><td>QUALITY SYMBOLS</td></tr> <tr><td> = 0</td></tr> <tr><td> = 0</td></tr> <tr><td> = 0</td></tr> <tr><td> = 0</td></tr> <tr><td> = 0</td></tr> <tr><td> = 0</td></tr> <tr><td> = 0</td></tr> <tr><td> = 0</td></tr> </table>	QUALITY SYMBOLS	= 0	= 0	= 0	= 0	= 0	= 0	= 0	= 0	<p>THIS DRAWING CONTAINS INFORMATION THAT IS PROPRIETARY TO MOLEX ELECTRONIC TECHNOLOGIES, LLC AND SHOULD NOT BE USED WITHOUT WRITTEN PERMISSION</p> <p>EC NO: 115716 DRWN: TYE CHKD: REV APPR: JDENG02</p>	<p>2017/04/12 2017/04/21</p> <p>GENERAL TOLERANCES (UNLESS SPECIFIED)</p> <p>ANGULAR TOL ± °</p> <p>4 PLACES ±</p> <p>3 PLACES ±</p> <p>2 PLACES ±</p> <p>1 PLACE ±</p> <p>0 PLACES ±</p> <p>DRAFT WHERE APPLICABLE MUST REMAIN WITHIN DIMENSIONS</p>	<p>DIMENSION UNITS: MM</p> <p>SCALE: 1:1</p> <p>DRWN BY: SKRAJENDRANA DATE: 2011/02/14</p> <p>CHKD BY: MVANSLAMBROU DATE: 2011/02/14</p> <p>APPR BY:</p> <p>DRAWING SIZE: D THIRD ANGLE PROJECTION: </p>	<p>MX123 66/73/80CKT HRNS CONN ASSY</p> <p>PRODUCT CUSTOMER DRAWING</p> <p>SERIES: 34566 MATERIAL NUMBER: SEE BOM TABLE CUSTOMER: GENERAL MARKET</p> <p>DOCUMENT NUMBER: SD-34566-001 DOC TYPE: PSD DOC PART: 000 SHEET NUMBER: 74 OF 93</p>
QUALITY SYMBOLS													
= 0													
= 0													
= 0													
= 0													
= 0													
= 0													
= 0													
= 0													

STATUS	GM PART #	MATERIAL #	WIRE DRESS OPTION	KEY OPTION ▽	COLOR (TPA) ▽	NUMBERS INDICATE CAVITIES OPEN FOR CIRCUITS F <sub>P</sub>																																																																																	
AVAILABLE	NOT APPLICABLE	34566-6823	9	C	BLUE	<table border="1"> <tr><td>72</td><td></td><td>70</td><td></td><td>68</td><td>67</td><td>66</td><td></td><td></td><td>63</td><td>62</td><td></td><td></td><td>59</td><td></td><td>57</td><td></td><td></td><td></td><td>53</td></tr> <tr><td>52</td><td>51</td><td></td><td>49</td><td>48</td><td>47</td><td>46</td><td></td><td>44</td><td></td><td></td><td>41</td><td>40</td><td>39</td><td></td><td>37</td><td>36</td><td>35</td><td>34</td><td>33</td></tr> <tr><td colspan="2">73</td><td></td><td></td><td>32</td><td></td><td>30</td><td></td><td></td><td></td><td>27</td><td>26</td><td>25</td><td>24</td><td></td><td>22</td><td>21</td><td>20</td><td></td><td></td></tr> <tr><td colspan="2"></td><td></td><td></td><td></td><td>15</td><td>14</td><td>13</td><td></td><td></td><td>10</td><td>9</td><td>8</td><td></td><td>6</td><td>5</td><td>4</td><td></td><td></td><td>2</td></tr> </table>	72		70		68	67	66			63	62			59		57				53	52	51		49	48	47	46		44			41	40	39		37	36	35	34	33	73				32		30				27	26	25	24		22	21	20								15	14	13			10	9	8		6	5	4			2	
72		70		68	67	66			63	62			59		57				53																																																																				
52	51		49	48	47	46		44			41	40	39		37	36	35	34	33																																																																				
73				32		30				27	26	25	24		22	21	20																																																																						
					15	14	13			10	9	8		6	5	4			2																																																																				
AVAILABLE	NOT APPLICABLE	34566-6833	0	A	BLACK	<table border="1"> <tr><td></td><td></td><td>70</td><td>69</td><td></td><td></td><td></td><td></td><td></td><td>63</td><td></td><td></td><td>60</td><td>59</td><td>58</td><td>57</td><td>56</td><td>55</td><td>54</td><td>53</td></tr> <tr><td>52</td><td>51</td><td></td><td>49</td><td>48</td><td>47</td><td></td><td></td><td>44</td><td>43</td><td>42</td><td>41</td><td>40</td><td></td><td></td><td>37</td><td>36</td><td></td><td>34</td><td>33</td></tr> <tr><td colspan="2">73</td><td></td><td></td><td>32</td><td></td><td></td><td></td><td>28</td><td></td><td>26</td><td></td><td></td><td></td><td></td><td></td><td></td><td>19</td><td>18</td><td></td></tr> <tr><td colspan="2"></td><td></td><td></td><td>16</td><td>15</td><td></td><td></td><td>12</td><td></td><td>10</td><td></td><td></td><td></td><td></td><td></td><td></td><td>3</td><td></td><td></td></tr> </table>			70	69						63			60	59	58	57	56	55	54	53	52	51		49	48	47			44	43	42	41	40			37	36		34	33	73				32				28		26							19	18						16	15			12		10							3			
		70	69						63			60	59	58	57	56	55	54	53																																																																				
52	51		49	48	47			44	43	42	41	40			37	36		34	33																																																																				
73				32				28		26							19	18																																																																					
				16	15			12		10							3																																																																						
AVAILABLE	NOT APPLICABLE	34566-6843	0	A	BLACK	<table border="1"> <tr><td>72</td><td>71</td><td>70</td><td>69</td><td>68</td><td></td><td>66</td><td>65</td><td>64</td><td>63</td><td></td><td>61</td><td>60</td><td></td><td></td><td>57</td><td>56</td><td></td><td>54</td><td>53</td></tr> <tr><td>52</td><td>51</td><td>50</td><td>49</td><td>48</td><td></td><td>46</td><td>45</td><td>44</td><td>43</td><td></td><td>40</td><td>39</td><td>38</td><td>37</td><td>36</td><td></td><td></td><td>34</td><td>33</td></tr> <tr><td colspan="2">73</td><td></td><td></td><td>32</td><td>31</td><td>30</td><td>29</td><td>28</td><td></td><td>26</td><td>25</td><td></td><td>23</td><td>22</td><td>21</td><td>20</td><td></td><td></td><td>17</td></tr> <tr><td colspan="2"></td><td></td><td></td><td></td><td>15</td><td>14</td><td>13</td><td>12</td><td></td><td>9</td><td></td><td>7</td><td>6</td><td>5</td><td>4</td><td></td><td></td><td></td><td>2</td></tr> </table>	72	71	70	69	68		66	65	64	63		61	60			57	56		54	53	52	51	50	49	48		46	45	44	43		40	39	38	37	36			34	33	73				32	31	30	29	28		26	25		23	22	21	20			17						15	14	13	12		9		7	6	5	4				2	
72	71	70	69	68		66	65	64	63		61	60			57	56		54	53																																																																				
52	51	50	49	48		46	45	44	43		40	39	38	37	36			34	33																																																																				
73				32	31	30	29	28		26	25		23	22	21	20			17																																																																				
					15	14	13	12		9		7	6	5	4				2																																																																				
AVAILABLE	NOT APPLICABLE	34566-6853	0	C	BLUE	<table border="1"> <tr><td></td><td></td><td></td><td>69</td><td></td><td>67</td><td>66</td><td></td><td>64</td><td></td><td>62</td><td>61</td><td>60</td><td></td><td></td><td>57</td><td></td><td>55</td><td>54</td><td></td></tr> <tr><td>52</td><td>51</td><td>50</td><td>49</td><td>48</td><td></td><td>46</td><td>45</td><td>44</td><td></td><td>42</td><td>41</td><td></td><td></td><td></td><td>37</td><td></td><td>35</td><td>34</td><td>33</td></tr> <tr><td colspan="2">73</td><td></td><td></td><td>32</td><td></td><td></td><td></td><td>28</td><td>27</td><td>26</td><td>25</td><td></td><td></td><td></td><td></td><td></td><td>19</td><td>18</td><td>17</td></tr> <tr><td colspan="2"></td><td></td><td></td><td>16</td><td>15</td><td>14</td><td>13</td><td>12</td><td>11</td><td>10</td><td>9</td><td>8</td><td>7</td><td></td><td></td><td></td><td></td><td></td><td></td></tr> </table>				69		67	66		64		62	61	60			57		55	54		52	51	50	49	48		46	45	44		42	41				37		35	34	33	73				32				28	27	26	25						19	18	17					16	15	14	13	12	11	10	9	8	7							
			69		67	66		64		62	61	60			57		55	54																																																																					
52	51	50	49	48		46	45	44		42	41				37		35	34	33																																																																				
73				32				28	27	26	25						19	18	17																																																																				
				16	15	14	13	12	11	10	9	8	7																																																																										
AVAILABLE	NOT APPLICABLE	34566-6863	0	A	BLACK	<table border="1"> <tr><td>72</td><td>71</td><td>70</td><td>69</td><td>68</td><td></td><td>66</td><td>65</td><td>64</td><td>63</td><td></td><td>61</td><td>60</td><td></td><td></td><td>57</td><td>56</td><td></td><td>54</td><td>53</td></tr> <tr><td>52</td><td>51</td><td>50</td><td>49</td><td>48</td><td></td><td>46</td><td>45</td><td>44</td><td>43</td><td>42</td><td></td><td>40</td><td>39</td><td>38</td><td>37</td><td>36</td><td></td><td>34</td><td>33</td></tr> <tr><td colspan="2">73</td><td></td><td></td><td>32</td><td>31</td><td>30</td><td>29</td><td>28</td><td></td><td>26</td><td>25</td><td></td><td>23</td><td>22</td><td>21</td><td>20</td><td></td><td></td><td></td></tr> <tr><td colspan="2"></td><td></td><td></td><td></td><td>15</td><td>14</td><td>13</td><td>12</td><td></td><td>9</td><td></td><td>7</td><td>6</td><td>5</td><td>4</td><td></td><td></td><td></td><td>2</td></tr> </table>	72	71	70	69	68		66	65	64	63		61	60			57	56		54	53	52	51	50	49	48		46	45	44	43	42		40	39	38	37	36		34	33	73				32	31	30	29	28		26	25		23	22	21	20									15	14	13	12		9		7	6	5	4				2	
72	71	70	69	68		66	65	64	63		61	60			57	56		54	53																																																																				
52	51	50	49	48		46	45	44	43	42		40	39	38	37	36		34	33																																																																				
73				32	31	30	29	28		26	25		23	22	21	20																																																																							
					15	14	13	12		9		7	6	5	4				2																																																																				
AVAILABLE	NOT APPLICABLE	34566-6873	9	B	ST.GRAY	<table border="1"> <tr><td>72</td><td></td><td></td><td></td><td>68</td><td>67</td><td></td><td></td><td></td><td>63</td><td>62</td><td>61</td><td>60</td><td>59</td><td></td><td></td><td></td><td></td><td>55</td><td>53</td></tr> <tr><td>52</td><td></td><td></td><td></td><td>48</td><td>47</td><td>46</td><td></td><td>44</td><td>43</td><td></td><td>41</td><td>40</td><td></td><td>38</td><td>37</td><td>36</td><td>35</td><td></td><td></td></tr> <tr><td colspan="2">73</td><td></td><td></td><td></td><td></td><td>30</td><td></td><td></td><td>27</td><td></td><td></td><td></td><td></td><td></td><td></td><td></td><td>20</td><td>19</td><td>18</td><td>17</td></tr> <tr><td colspan="2"></td><td></td><td></td><td>16</td><td>15</td><td>14</td><td></td><td></td><td>11</td><td></td><td></td><td>8</td><td></td><td></td><td></td><td>4</td><td></td><td></td><td>1</td></tr> </table>	72				68	67				63	62	61	60	59					55	53	52				48	47	46		44	43		41	40		38	37	36	35			73						30			27								20	19	18	17					16	15	14			11			8				4			1
72				68	67				63	62	61	60	59					55	53																																																																				
52				48	47	46		44	43		41	40		38	37	36	35																																																																						
73						30			27								20	19	18	17																																																																			
				16	15	14			11			8				4			1																																																																				
AVAILABLE	NOT APPLICABLE	34566-6883	9	A	BLACK	<table border="1"> <tr><td>72</td><td></td><td>70</td><td></td><td></td><td>67</td><td></td><td></td><td></td><td>63</td><td></td><td></td><td>60</td><td>59</td><td>58</td><td>57</td><td>56</td><td>55</td><td></td><td></td></tr> <tr><td>52</td><td>51</td><td></td><td></td><td>48</td><td>47</td><td>46</td><td></td><td></td><td>43</td><td>42</td><td></td><td>40</td><td>39</td><td>38</td><td>37</td><td>36</td><td>35</td><td></td><td></td></tr> <tr><td colspan="2">73</td><td></td><td></td><td></td><td></td><td></td><td></td><td>28</td><td>27</td><td></td><td></td><td></td><td></td><td>22</td><td>21</td><td></td><td></td><td>18</td><td>17</td></tr> <tr><td colspan="2"></td><td></td><td></td><td></td><td></td><td></td><td></td><td>12</td><td>11</td><td></td><td>9</td><td>7</td><td>5</td><td></td><td></td><td></td><td></td><td>2</td><td>1</td></tr> </table>	72		70			67				63			60	59	58	57	56	55			52	51			48	47	46			43	42		40	39	38	37	36	35			73								28	27					22	21			18	17									12	11		9	7	5					2	1	
72		70			67				63			60	59	58	57	56	55																																																																						
52	51			48	47	46			43	42		40	39	38	37	36	35																																																																						
73								28	27					22	21			18	17																																																																				
								12	11		9	7	5					2	1																																																																				
AVAILABLE	NOT APPLICABLE	34566-6893	0	B	ST.GRAY	<table border="1"> <tr><td>72</td><td>71</td><td>70</td><td>69</td><td>68</td><td>67</td><td>66</td><td>65</td><td>64</td><td>63</td><td>62</td><td>61</td><td>60</td><td>59</td><td></td><td>57</td><td>56</td><td>55</td><td></td><td></td></tr> <tr><td>52</td><td>51</td><td>50</td><td>49</td><td>48</td><td>47</td><td>46</td><td>45</td><td>44</td><td>43</td><td></td><td>41</td><td>40</td><td>39</td><td>38</td><td>37</td><td>36</td><td>35</td><td>34</td><td>33</td></tr> <tr><td colspan="2">73</td><td></td><td></td><td>32</td><td>31</td><td>30</td><td>29</td><td>28</td><td></td><td>26</td><td></td><td>24</td><td>23</td><td>22</td><td>21</td><td>20</td><td>19</td><td>18</td><td>17</td></tr> <tr><td colspan="2"></td><td></td><td></td><td>16</td><td>15</td><td>14</td><td>13</td><td>12</td><td>11</td><td></td><td>9</td><td>8</td><td>7</td><td>6</td><td>5</td><td>4</td><td>3</td><td>2</td><td>1</td></tr> </table>	72	71	70	69	68	67	66	65	64	63	62	61	60	59		57	56	55			52	51	50	49	48	47	46	45	44	43		41	40	39	38	37	36	35	34	33	73				32	31	30	29	28		26		24	23	22	21	20	19	18	17					16	15	14	13	12	11		9	8	7	6	5	4	3	2	1	
72	71	70	69	68	67	66	65	64	63	62	61	60	59		57	56	55																																																																						
52	51	50	49	48	47	46	45	44	43		41	40	39	38	37	36	35	34	33																																																																				
73				32	31	30	29	28		26		24	23	22	21	20	19	18	17																																																																				
				16	15	14	13	12	11		9	8	7	6	5	4	3	2	1																																																																				
AVAILABLE	NOT APPLICABLE	34566-6913	9	A	BLACK	<table border="1"> <tr><td>72</td><td>71</td><td>70</td><td>69</td><td>68</td><td>67</td><td>66</td><td>65</td><td>64</td><td>63</td><td></td><td></td><td>60</td><td>59</td><td>58</td><td>57</td><td>56</td><td>55</td><td>54</td><td></td></tr> <tr><td>52</td><td>51</td><td>50</td><td>49</td><td>48</td><td>47</td><td>46</td><td>45</td><td>44</td><td>43</td><td>42</td><td></td><td>40</td><td>39</td><td>38</td><td>37</td><td>36</td><td>35</td><td>34</td><td></td></tr> <tr><td colspan="2">73</td><td></td><td></td><td>32</td><td>31</td><td>30</td><td>29</td><td>28</td><td>27</td><td>26</td><td>25</td><td></td><td>23</td><td>22</td><td>21</td><td>20</td><td></td><td>18</td><td>17</td></tr> <tr><td colspan="2"></td><td></td><td></td><td>16</td><td>15</td><td>14</td><td>13</td><td>12</td><td>11</td><td></td><td>9</td><td>7</td><td>6</td><td>5</td><td>4</td><td></td><td></td><td>2</td><td>1</td></tr> </table>	72	71	70	69	68	67	66	65	64	63			60	59	58	57	56	55	54		52	51	50	49	48	47	46	45	44	43	42		40	39	38	37	36	35	34		73				32	31	30	29	28	27	26	25		23	22	21	20		18	17					16	15	14	13	12	11		9	7	6	5	4			2	1	
72	71	70	69	68	67	66	65	64	63			60	59	58	57	56	55	54																																																																					
52	51	50	49	48	47	46	45	44	43	42		40	39	38	37	36	35	34																																																																					
73				32	31	30	29	28	27	26	25		23	22	21	20		18	17																																																																				
				16	15	14	13	12	11		9	7	6	5	4			2	1																																																																				

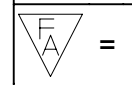
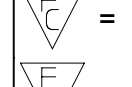
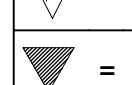
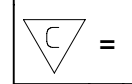
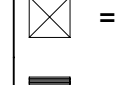
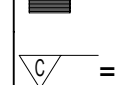
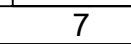

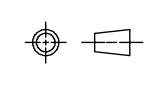
<b>QUALITY SYMBOLS</b> F = 0 E = 0 C = 0 ▽ = 0 □ = 0 ■ = 0 ▽ = 0	THIS DRAWING CONTAINS INFORMATION THAT IS PROPRIETARY TO MOLEX ELECTRONIC TECHNOLOGIES, LLC AND SHOULD NOT BE USED WITHOUT WRITTEN PERMISSION									
	2017/04/12	2017/04/21	GENERAL TOLERANCES (UNLESS SPECIFIED)		DIMENSION UNITS	SCALE	 MX123 66/73/80CKT HRNS CONN ASSY PRODUCT CUSTOMER DRAWING			
	EC NO: 115716 DRWN: TYE CHKD: JDENG02 REV APPR:	G50	ANGULAR TOL ± °		MM	1:1				
			4 PLACES ±	SKRAJENDRANA	2011/02/14					
			3 PLACES ±	CHKD BY	DATE					
			2 PLACES ±	MVANSLAMBROU	2011/02/14					
			1 PLACE ±	APPR BY	DATE					
	0 PLACES ±	DRAFT WHERE APPLICABLE MUST REMAIN WITHIN DIMENSIONS		DRAWING SIZE	THIRD ANGLE PROJECTION					
	SERIES		MATERIAL NUMBER		CUSTOMER					
	34566		SEE BOM TABLE		GENERAL MARKET					
DOCUMENT NUMBER		DOC TYPE		DOC PART		SHEET NUMBER				
SD-34566-001		PSD		000		75 OF 93				



STATUS	GM PART #	MATERIAL #	WIRE DRESS OPTION	KEY OPTION	COLOR (TPA)	NUMBERS INDICATE CAVITIES OPEN FOR CIRCUITS F <sub>P</sub>																																																																																		
AVAILABLE	NOT APPLICABLE	34566-6923	9	C	BLUE	<table border="1"> <tr><td>72</td><td>71</td><td>70</td><td>69</td><td></td><td>67</td><td>66</td><td>65</td><td>64</td><td></td><td>61</td><td>60</td><td></td><td>58</td><td>57</td><td>56</td><td></td><td>54</td><td></td></tr> <tr><td>52</td><td>51</td><td>50</td><td>49</td><td>48</td><td>47</td><td>46</td><td>45</td><td>44</td><td></td><td>41</td><td></td><td>39</td><td>38</td><td>37</td><td></td><td></td><td>34</td><td>33</td></tr> <tr><td colspan="4">73</td><td>32</td><td>31</td><td>30</td><td>29</td><td>28</td><td>27</td><td>26</td><td>25</td><td>24</td><td>23</td><td>22</td><td>21</td><td></td><td>18</td><td>17</td></tr> <tr><td colspan="4"></td><td>16</td><td>15</td><td>14</td><td>13</td><td>12</td><td>11</td><td>10</td><td>9</td><td>8</td><td>7</td><td>6</td><td>5</td><td></td><td></td><td></td></tr> </table>	72	71	70	69		67	66	65	64		61	60		58	57	56		54		52	51	50	49	48	47	46	45	44		41		39	38	37			34	33	73				32	31	30	29	28	27	26	25	24	23	22	21		18	17					16	15	14	13	12	11	10	9	8	7	6	5									
72	71	70	69		67	66	65	64		61	60		58	57	56		54																																																																							
52	51	50	49	48	47	46	45	44		41		39	38	37			34	33																																																																						
73				32	31	30	29	28	27	26	25	24	23	22	21		18	17																																																																						
				16	15	14	13	12	11	10	9	8	7	6	5																																																																									
AVAILABLE	NOT APPLICABLE	34566-6933	9	B	ST.GRAY	<table border="1"> <tr><td>72</td><td></td><td></td><td></td><td>68</td><td>67</td><td></td><td></td><td></td><td></td><td>63</td><td>62</td><td>61</td><td>60</td><td>59</td><td></td><td></td><td>55</td><td></td><td>53</td></tr> <tr><td>52</td><td></td><td></td><td></td><td>48</td><td>47</td><td>46</td><td></td><td>44</td><td>43</td><td></td><td>41</td><td>40</td><td></td><td></td><td>38</td><td>37</td><td>36</td><td>35</td><td></td><td>17</td></tr> <tr><td colspan="4">73</td><td></td><td></td><td>30</td><td></td><td></td><td>27</td><td></td><td></td><td></td><td></td><td>22</td><td>21</td><td>20</td><td>19</td><td>18</td><td>17</td></tr> <tr><td colspan="4"></td><td>16</td><td>15</td><td>14</td><td></td><td></td><td>11</td><td></td><td></td><td>8</td><td></td><td>6</td><td>4</td><td></td><td></td><td></td><td>1</td></tr> </table>	72				68	67					63	62	61	60	59			55		53	52				48	47	46		44	43		41	40			38	37	36	35		17	73						30			27					22	21	20	19	18	17					16	15	14			11			8		6	4				1	
72				68	67					63	62	61	60	59			55		53																																																																					
52				48	47	46		44	43		41	40			38	37	36	35		17																																																																				
73						30			27					22	21	20	19	18	17																																																																					
				16	15	14			11			8		6	4				1																																																																					
AVAILABLE	NOT APPLICABLE	34566-6943	9	A	BLACK	<table border="1"> <tr><td>72</td><td>71</td><td>70</td><td>69</td><td>68</td><td></td><td>66</td><td>65</td><td>64</td><td>63</td><td></td><td>61</td><td>60</td><td></td><td></td><td>57</td><td>56</td><td></td><td>54</td><td>53</td></tr> <tr><td>52</td><td>51</td><td>50</td><td>49</td><td>48</td><td></td><td>46</td><td>45</td><td>44</td><td>43</td><td>42</td><td>41</td><td>40</td><td>39</td><td>38</td><td>37</td><td>36</td><td></td><td>34</td><td>33</td></tr> <tr><td colspan="4">73</td><td>32</td><td>31</td><td>30</td><td>29</td><td>28</td><td></td><td></td><td></td><td></td><td>23</td><td>22</td><td>21</td><td></td><td></td><td></td><td>2</td><td>1</td></tr> <tr><td colspan="4"></td><td></td><td>15</td><td>14</td><td>13</td><td>12</td><td></td><td></td><td></td><td></td><td>7</td><td>6</td><td>5</td><td></td><td></td><td></td><td></td><td></td></tr> </table>	72	71	70	69	68		66	65	64	63		61	60			57	56		54	53	52	51	50	49	48		46	45	44	43	42	41	40	39	38	37	36		34	33	73				32	31	30	29	28					23	22	21				2	1						15	14	13	12					7	6	5					
72	71	70	69	68		66	65	64	63		61	60			57	56		54	53																																																																					
52	51	50	49	48		46	45	44	43	42	41	40	39	38	37	36		34	33																																																																					
73				32	31	30	29	28					23	22	21				2	1																																																																				
					15	14	13	12					7	6	5																																																																									
AVAILABLE	NOT APPLICABLE	34566-6953	0	A	BLACK	<table border="1"> <tr><td>72</td><td>71</td><td>70</td><td>69</td><td></td><td></td><td>66</td><td></td><td>64</td><td>63</td><td></td><td>61</td><td>60</td><td></td><td></td><td>57</td><td>56</td><td></td><td>54</td><td>53</td></tr> <tr><td>52</td><td>51</td><td>50</td><td>49</td><td></td><td></td><td>46</td><td>45</td><td>44</td><td>43</td><td></td><td>40</td><td>39</td><td>38</td><td>37</td><td>36</td><td></td><td></td><td>34</td><td>33</td></tr> <tr><td colspan="4">73</td><td>32</td><td>31</td><td>30</td><td>29</td><td>28</td><td></td><td>26</td><td>25</td><td></td><td>23</td><td>22</td><td>21</td><td>20</td><td></td><td></td><td></td><td></td></tr> <tr><td colspan="4"></td><td>16</td><td>15</td><td>14</td><td>13</td><td>12</td><td></td><td></td><td>9</td><td></td><td>7</td><td>6</td><td>5</td><td>4</td><td></td><td></td><td>2</td><td>1</td></tr> </table>	72	71	70	69			66		64	63		61	60			57	56		54	53	52	51	50	49			46	45	44	43		40	39	38	37	36			34	33	73				32	31	30	29	28		26	25		23	22	21	20									16	15	14	13	12			9		7	6	5	4			2	1
72	71	70	69			66		64	63		61	60			57	56		54	53																																																																					
52	51	50	49			46	45	44	43		40	39	38	37	36			34	33																																																																					
73				32	31	30	29	28		26	25		23	22	21	20																																																																								
				16	15	14	13	12			9		7	6	5	4			2	1																																																																				
AVAILABLE	NOT APPLICABLE	34566-6963	0	B	ST.GRAY	<table border="1"> <tr><td>72</td><td></td><td>70</td><td></td><td>68</td><td>67</td><td></td><td></td><td></td><td></td><td>62</td><td>61</td><td></td><td></td><td></td><td></td><td></td><td>55</td><td></td><td></td></tr> <tr><td>52</td><td></td><td></td><td></td><td>48</td><td>47</td><td>46</td><td></td><td></td><td>43</td><td></td><td>40</td><td></td><td></td><td></td><td></td><td></td><td></td><td>20</td><td>19</td><td>18</td></tr> <tr><td colspan="4">73</td><td></td><td></td><td>30</td><td></td><td></td><td></td><td></td><td></td><td></td><td></td><td></td><td></td><td></td><td>20</td><td>19</td><td>18</td></tr> <tr><td colspan="4"></td><td>16</td><td>15</td><td>14</td><td></td><td></td><td></td><td></td><td>8</td><td></td><td></td><td></td><td></td><td>4</td><td></td><td></td><td></td><td>2</td></tr> </table>	72		70		68	67					62	61						55			52				48	47	46			43		40							20	19	18	73						30											20	19	18					16	15	14					8					4				2
72		70		68	67					62	61						55																																																																							
52				48	47	46			43		40							20	19	18																																																																				
73						30											20	19	18																																																																					
				16	15	14					8					4				2																																																																				
AVAILABLE	NOT APPLICABLE	34566-6973	0	C	BLUE	<table border="1"> <tr><td></td><td>71</td><td>70</td><td>69</td><td></td><td>67</td><td></td><td>65</td><td>64</td><td></td><td>62</td><td>61</td><td>60</td><td></td><td></td><td>57</td><td></td><td>55</td><td>54</td><td></td></tr> <tr><td>52</td><td>51</td><td>50</td><td>49</td><td>48</td><td>47</td><td>46</td><td>45</td><td>44</td><td></td><td>42</td><td>41</td><td></td><td></td><td></td><td>37</td><td></td><td>35</td><td>34</td><td>33</td></tr> <tr><td colspan="4">73</td><td>32</td><td></td><td></td><td></td><td>28</td><td>27</td><td>26</td><td>25</td><td></td><td></td><td></td><td></td><td></td><td>19</td><td>18</td><td>17</td></tr> <tr><td colspan="4"></td><td>16</td><td>15</td><td>14</td><td>13</td><td>12</td><td>11</td><td>10</td><td>9</td><td>8</td><td>7</td><td></td><td></td><td></td><td></td><td></td><td></td><td></td></tr> </table>		71	70	69		67		65	64		62	61	60			57		55	54		52	51	50	49	48	47	46	45	44		42	41				37		35	34	33	73				32				28	27	26	25						19	18	17					16	15	14	13	12	11	10	9	8	7								
	71	70	69		67		65	64		62	61	60			57		55	54																																																																						
52	51	50	49	48	47	46	45	44		42	41				37		35	34	33																																																																					
73				32				28	27	26	25						19	18	17																																																																					
				16	15	14	13	12	11	10	9	8	7																																																																											
AVAILABLE	NOT APPLICABLE	34566-6983	0	C	BLUE	<table border="1"> <tr><td></td><td>71</td><td></td><td>69</td><td></td><td>67</td><td></td><td>65</td><td>64</td><td></td><td>62</td><td></td><td>60</td><td></td><td></td><td>57</td><td></td><td></td><td>54</td><td></td></tr> <tr><td>52</td><td>51</td><td>50</td><td></td><td>48</td><td>47</td><td>46</td><td>45</td><td>44</td><td></td><td>42</td><td></td><td></td><td></td><td></td><td>37</td><td></td><td></td><td>34</td><td>33</td></tr> <tr><td colspan="4">73</td><td></td><td></td><td></td><td></td><td>28</td><td>27</td><td>26</td><td></td><td></td><td></td><td></td><td></td><td></td><td></td><td>18</td><td></td></tr> <tr><td colspan="4"></td><td>16</td><td>15</td><td>14</td><td>13</td><td>12</td><td>11</td><td>10</td><td>9</td><td>8</td><td>7</td><td></td><td></td><td></td><td></td><td></td><td></td><td></td></tr> </table>		71		69		67		65	64		62		60			57			54		52	51	50		48	47	46	45	44		42					37			34	33	73								28	27	26								18						16	15	14	13	12	11	10	9	8	7								
	71		69		67		65	64		62		60			57			54																																																																						
52	51	50		48	47	46	45	44		42					37			34	33																																																																					
73								28	27	26								18																																																																						
				16	15	14	13	12	11	10	9	8	7																																																																											
AVAILABLE	NOT APPLICABLE	34566-6993	0	G	BLUE	<table border="1"> <tr><td></td><td></td><td>78</td><td>77</td><td>76</td><td></td><td></td><td></td><td></td><td></td><td></td><td></td><td></td><td>67</td><td>66</td><td>65</td><td></td><td></td><td></td><td></td></tr> <tr><td>40</td><td>39</td><td>38</td><td>37</td><td>36</td><td>35</td><td>34</td><td>33</td><td>32</td><td></td><td>29</td><td>28</td><td></td><td></td><td></td><td>25</td><td></td><td></td><td></td><td>21</td></tr> <tr><td>20</td><td>19</td><td>18</td><td>17</td><td>16</td><td>15</td><td>14</td><td>13</td><td>12</td><td></td><td></td><td></td><td></td><td></td><td></td><td></td><td></td><td>3</td><td></td><td>1</td></tr> </table>			78	77	76									67	66	65					40	39	38	37	36	35	34	33	32		29	28				25				21	20	19	18	17	16	15	14	13	12									3		1																						
		78	77	76									67	66	65																																																																									
40	39	38	37	36	35	34	33	32		29	28				25				21																																																																					
20	19	18	17	16	15	14	13	12									3		1																																																																					
AVAILABLE	NOT APPLICABLE	34566-7013	9	A	BLACK	<table border="1"> <tr><td></td><td>71</td><td>70</td><td>69</td><td></td><td></td><td></td><td></td><td>64</td><td>63</td><td>62</td><td>61</td><td>60</td><td>59</td><td>58</td><td>57</td><td>56</td><td>55</td><td>54</td><td>53</td></tr> <tr><td>52</td><td>51</td><td>50</td><td>49</td><td></td><td></td><td></td><td>45</td><td>44</td><td>43</td><td>42</td><td>41</td><td></td><td>39</td><td></td><td>37</td><td>36</td><td></td><td>34</td><td></td></tr> <tr><td colspan="4">73</td><td>32</td><td></td><td></td><td>29</td><td>28</td><td>27</td><td>26</td><td></td><td></td><td></td><td></td><td></td><td></td><td>19</td><td>18</td><td></td></tr> <tr><td colspan="4"></td><td>16</td><td>15</td><td>14</td><td>13</td><td>12</td><td>11</td><td>10</td><td></td><td></td><td></td><td></td><td></td><td></td><td>3</td><td></td><td></td><td></td></tr> </table>		71	70	69					64	63	62	61	60	59	58	57	56	55	54	53	52	51	50	49				45	44	43	42	41		39		37	36		34		73				32			29	28	27	26							19	18						16	15	14	13	12	11	10							3				
	71	70	69					64	63	62	61	60	59	58	57	56	55	54	53																																																																					
52	51	50	49				45	44	43	42	41		39		37	36		34																																																																						
73				32			29	28	27	26							19	18																																																																						
				16	15	14	13	12	11	10							3																																																																							

<b>QUALITY SYMBOLS</b> = 0 = 0 = 0 = 0 = 0 = 0 = 0 = 0	THIS DRAWING CONTAINS INFORMATION THAT IS PROPRIETARY TO MOLEX ELECTRONIC TECHNOLOGIES, LLC AND SHOULD NOT BE USED WITHOUT WRITTEN PERMISSION											
	2017/04/12	2017/04/21	GENERAL TOLERANCES (UNLESS SPECIFIED)		DIMENSION UNITS	SCALE						
	EC NO: 115716 DRWN: TYE CHKD: JDENG02 REV APPR:	G50	ANGULAR TOL ± °		MM	1:1						
			4 PLACES ±	SKRAJENDRANA		DATE					2011/02/14	
			3 PLACES ±	MVANSLAMBROU		DATE					2011/02/14	
			2 PLACES ±			DATE						
			1 PLACE ±			DATE						
	0 PLACES ±			DATE								
	DRAFT WHERE APPLICABLE MUST REMAIN WITHIN DIMENSIONS		DRAWING SIZE	THIRD ANGLE PROJECTION								
			D									
				SERIES	MATERIAL NUMBER	CUSTOMER						
				34566	SEE BOM TABLE	GENERAL MARKET						
				DOCUMENT NUMBER	DOC TYPE	DOC PART	SHEET NUMBER					
				SD-34566-001	PSD	000	76 OF 93					

STATUS	GM PART #	MATERIAL #	WIRE DRESS OPTION	KEY OPTION	COLOR (TPA)	NUMBERS INDICATE CAVITIES OPEN FOR CIRCUITS F <sub>P</sub>																																																																																	
AVAILABLE	NOT APPLICABLE	34566-7023	0	A	BLACK	<table border="1"> <tr><td>72</td><td>71</td><td>70</td><td>69</td><td>68</td><td></td><td>66</td><td>65</td><td>64</td><td></td><td>61</td><td>60</td><td></td><td>57</td><td>56</td><td>54</td><td>53</td></tr> <tr><td>52</td><td>51</td><td>50</td><td>49</td><td>48</td><td></td><td>46</td><td>45</td><td>44</td><td>43</td><td></td><td>40</td><td>39</td><td>38</td><td>37</td><td>36</td><td>34</td><td>33</td></tr> <tr><td colspan="4">73</td><td></td><td>31</td><td>30</td><td>29</td><td>28</td><td></td><td>26</td><td>25</td><td>23</td><td>22</td><td>21</td><td>20</td><td></td><td></td></tr> <tr><td colspan="4"></td><td>15</td><td>14</td><td>13</td><td>12</td><td></td><td></td><td>9</td><td>7</td><td>6</td><td>5</td><td>4</td><td></td><td>2</td><td></td></tr> </table>	72	71	70	69	68		66	65	64		61	60		57	56	54	53	52	51	50	49	48		46	45	44	43		40	39	38	37	36	34	33	73					31	30	29	28		26	25	23	22	21	20							15	14	13	12			9	7	6	5	4		2											
72	71	70	69	68		66	65	64		61	60		57	56	54	53																																																																							
52	51	50	49	48		46	45	44	43		40	39	38	37	36	34	33																																																																						
73					31	30	29	28		26	25	23	22	21	20																																																																								
				15	14	13	12			9	7	6	5	4		2																																																																							
AVAILABLE	NOT APPLICABLE	34566-7033	0	A	BLACK	<table border="1"> <tr><td></td><td></td><td>70</td><td>69</td><td></td><td></td><td>65</td><td></td><td>63</td><td>62</td><td>61</td><td>60</td><td></td><td>58</td><td>57</td><td>56</td><td>55</td><td>54</td><td>53</td></tr> <tr><td>52</td><td>51</td><td></td><td>49</td><td></td><td></td><td>44</td><td>43</td><td>42</td><td>41</td><td></td><td></td><td></td><td>37</td><td>36</td><td></td><td>34</td><td></td><td></td></tr> <tr><td colspan="3">73</td><td></td><td>32</td><td></td><td>29</td><td>28</td><td>27</td><td>26</td><td></td><td></td><td></td><td>21</td><td></td><td>19</td><td>18</td><td></td><td></td></tr> <tr><td colspan="3"></td><td>16</td><td>15</td><td></td><td>13</td><td>12</td><td>11</td><td>10</td><td></td><td>8</td><td></td><td>5</td><td></td><td>3</td><td></td><td></td><td></td></tr> </table>			70	69			65		63	62	61	60		58	57	56	55	54	53	52	51		49			44	43	42	41				37	36		34			73				32		29	28	27	26				21		19	18						16	15		13	12	11	10		8		5		3								
		70	69			65		63	62	61	60		58	57	56	55	54	53																																																																					
52	51		49			44	43	42	41				37	36		34																																																																							
73				32		29	28	27	26				21		19	18																																																																							
			16	15		13	12	11	10		8		5		3																																																																								
AVAILABLE	NOT APPLICABLE	34566-7043	0	B	ST.GRAY	<table border="1"> <tr><td>72</td><td></td><td></td><td></td><td>68</td><td>67</td><td></td><td></td><td></td><td>63</td><td>62</td><td>61</td><td>60</td><td>59</td><td></td><td></td><td></td><td>55</td><td></td><td></td></tr> <tr><td>52</td><td></td><td></td><td></td><td></td><td></td><td>46</td><td></td><td></td><td>43</td><td></td><td>41</td><td>40</td><td></td><td></td><td></td><td></td><td>20</td><td>19</td><td>18</td></tr> <tr><td colspan="4">73</td><td></td><td>16</td><td></td><td>14</td><td></td><td></td><td>11</td><td></td><td>8</td><td></td><td></td><td></td><td>4</td><td></td><td></td><td></td></tr> </table>	72				68	67				63	62	61	60	59				55			52						46			43		41	40					20	19	18	73					16		14			11		8				4																								
72				68	67				63	62	61	60	59				55																																																																						
52						46			43		41	40					20	19	18																																																																				
73					16		14			11		8				4																																																																							
AVAILABLE	NOT APPLICABLE	34566-7053	0	C	BLUE	<table border="1"> <tr><td></td><td>71</td><td></td><td>69</td><td></td><td>67</td><td></td><td>65</td><td>64</td><td></td><td>62</td><td>61</td><td>60</td><td></td><td>57</td><td></td><td></td><td>54</td><td></td><td></td></tr> <tr><td>52</td><td>51</td><td>50</td><td>49</td><td>48</td><td>47</td><td>46</td><td>45</td><td>44</td><td></td><td>42</td><td>41</td><td></td><td></td><td>37</td><td></td><td></td><td>34</td><td>33</td><td></td></tr> <tr><td colspan="3">73</td><td></td><td>16</td><td>15</td><td>14</td><td>13</td><td>12</td><td>11</td><td>10</td><td>9</td><td>8</td><td>7</td><td></td><td></td><td></td><td></td><td></td><td></td></tr> </table>		71		69		67		65	64		62	61	60		57			54			52	51	50	49	48	47	46	45	44		42	41			37			34	33		73				16	15	14	13	12	11	10	9	8	7																											
	71		69		67		65	64		62	61	60		57			54																																																																						
52	51	50	49	48	47	46	45	44		42	41			37			34	33																																																																					
73				16	15	14	13	12	11	10	9	8	7																																																																										
AVAILABLE	NOT APPLICABLE	34566-7063	0	C	BLUE	<table border="1"> <tr><td>72</td><td></td><td>70</td><td></td><td>68</td><td>67</td><td>66</td><td></td><td></td><td>63</td><td>62</td><td></td><td></td><td>59</td><td></td><td>57</td><td></td><td></td><td></td><td>53</td></tr> <tr><td>52</td><td>51</td><td></td><td></td><td>48</td><td>47</td><td>46</td><td></td><td>44</td><td></td><td></td><td>40</td><td>39</td><td></td><td></td><td></td><td></td><td>34</td><td>33</td><td></td></tr> <tr><td colspan="3">73</td><td></td><td>32</td><td></td><td>30</td><td></td><td></td><td>26</td><td>25</td><td></td><td></td><td>22</td><td>21</td><td></td><td></td><td></td><td></td><td></td></tr> <tr><td colspan="3"></td><td></td><td>15</td><td>14</td><td>13</td><td></td><td></td><td>10</td><td>9</td><td></td><td></td><td>6</td><td>5</td><td>4</td><td></td><td></td><td></td><td></td></tr> </table>	72		70		68	67	66			63	62			59		57				53	52	51			48	47	46		44			40	39					34	33		73				32		30			26	25			22	21										15	14	13			10	9			6	5	4					
72		70		68	67	66			63	62			59		57				53																																																																				
52	51			48	47	46		44			40	39					34	33																																																																					
73				32		30			26	25			22	21																																																																									
				15	14	13			10	9			6	5	4																																																																								
AVAILABLE	NOT APPLICABLE	34566-7073	9	F	NATURAL	<table border="1"> <tr><td></td><td></td><td></td><td>69</td><td>68</td><td></td><td></td><td></td><td></td><td></td><td></td><td></td><td></td><td>58</td><td>57</td><td></td><td></td><td></td><td></td><td></td></tr> <tr><td colspan="4">73</td><td></td><td></td><td></td><td></td><td></td><td>43</td><td>42</td><td></td><td></td><td></td><td>38</td><td>37</td><td></td><td></td><td></td><td>33</td></tr> <tr><td colspan="4"></td><td></td><td></td><td>30</td><td></td><td></td><td></td><td></td><td></td><td></td><td></td><td></td><td></td><td></td><td>19</td><td>18</td><td>17</td></tr> <tr><td colspan="4"></td><td></td><td></td><td></td><td></td><td></td><td></td><td></td><td></td><td></td><td></td><td></td><td></td><td></td><td>3</td><td>2</td><td>1</td></tr> </table>				69	68									58	57						73									43	42				38	37				33							30											19	18	17																		3	2	1	
			69	68									58	57																																																																									
73									43	42				38	37				33																																																																				
						30											19	18	17																																																																				
																	3	2	1																																																																				
AVAILABLE	NOT APPLICABLE	34566-7083	9	B	ST.GRAY	<table border="1"> <tr><td></td><td></td><td></td><td></td><td></td><td></td><td></td><td></td><td></td><td></td><td></td><td></td><td></td><td></td><td></td><td></td><td></td><td></td><td></td><td></td></tr> <tr><td colspan="3">73</td><td></td><td></td><td></td><td></td><td></td><td></td><td></td><td></td><td></td><td></td><td></td><td></td><td></td><td></td><td></td><td></td><td></td></tr> <tr><td colspan="3"></td><td>16</td><td>15</td><td>14</td><td>13</td><td>12</td><td>11</td><td>10</td><td></td><td>8</td><td>7</td><td></td><td></td><td></td><td></td><td>3</td><td>2</td><td>1</td></tr> </table>																					73																							16	15	14	13	12	11	10		8	7					3	2	1																					
73																																																																																							
			16	15	14	13	12	11	10		8	7					3	2	1																																																																				
AVAILABLE	NOT APPLICABLE	34566-7093	9	B	ST.GRAY	<table border="1"> <tr><td>72</td><td>71</td><td>70</td><td>69</td><td>68</td><td>67</td><td>66</td><td>65</td><td>64</td><td>63</td><td></td><td></td><td></td><td>59</td><td></td><td></td><td></td><td></td><td></td><td>53</td></tr> <tr><td>52</td><td>51</td><td>50</td><td>49</td><td>48</td><td>47</td><td>46</td><td>45</td><td>44</td><td>43</td><td></td><td></td><td></td><td>39</td><td></td><td></td><td></td><td></td><td>34</td><td>33</td></tr> <tr><td colspan="3">73</td><td></td><td>32</td><td>31</td><td>30</td><td>29</td><td>28</td><td>27</td><td>26</td><td>25</td><td>24</td><td>23</td><td></td><td></td><td></td><td></td><td></td><td>17</td></tr> <tr><td colspan="3"></td><td></td><td>16</td><td>15</td><td>14</td><td>13</td><td>12</td><td>11</td><td>10</td><td></td><td>8</td><td>7</td><td></td><td></td><td></td><td></td><td>3</td><td>2</td><td>1</td></tr> </table>	72	71	70	69	68	67	66	65	64	63				59						53	52	51	50	49	48	47	46	45	44	43				39					34	33	73				32	31	30	29	28	27	26	25	24	23						17					16	15	14	13	12	11	10		8	7					3	2	1
72	71	70	69	68	67	66	65	64	63				59						53																																																																				
52	51	50	49	48	47	46	45	44	43				39					34	33																																																																				
73				32	31	30	29	28	27	26	25	24	23						17																																																																				
				16	15	14	13	12	11	10		8	7					3	2	1																																																																			
AVAILABLE	NOT APPLICABLE	34566-7113	9	G	BLUE	<table border="1"> <tr><td>80</td><td>79</td><td>78</td><td></td><td>76</td><td></td><td></td><td></td><td></td><td>71</td><td></td><td></td><td></td><td>67</td><td></td><td></td><td></td><td></td><td></td><td></td></tr> <tr><td>60</td><td>59</td><td>58</td><td>57</td><td></td><td></td><td>54</td><td></td><td></td><td>51</td><td>50</td><td>49</td><td>48</td><td>47</td><td></td><td></td><td>44</td><td></td><td></td><td>41</td></tr> <tr><td>40</td><td>39</td><td></td><td>37</td><td></td><td></td><td>33</td><td>32</td><td></td><td>30</td><td>29</td><td>28</td><td>27</td><td></td><td>25</td><td>24</td><td></td><td></td><td></td><td></td></tr> <tr><td colspan="2">20</td><td>19</td><td>18</td><td></td><td></td><td></td><td></td><td>12</td><td>11</td><td></td><td>9</td><td>8</td><td></td><td></td><td>5</td><td></td><td>3</td><td>2</td><td></td></tr> </table>	80	79	78		76					71				67							60	59	58	57			54			51	50	49	48	47			44			41	40	39		37			33	32		30	29	28	27		25	24					20		19	18					12	11		9	8			5		3	2		
80	79	78		76					71				67																																																																										
60	59	58	57			54			51	50	49	48	47			44			41																																																																				
40	39		37			33	32		30	29	28	27		25	24																																																																								
20		19	18					12	11		9	8			5		3	2																																																																					

<b>QUALITY SYMBOLS</b>  = 0  = 0  = 0  = 0  = 0  = 0  = 0  = 0	THIS DRAWING CONTAINS INFORMATION THAT IS PROPRIETARY TO MOLEX ELECTRONIC TECHNOLOGIES, LLC AND SHOULD NOT BE USED WITHOUT WRITTEN PERMISSION									
	2017/04/12	2017/04/21	GENERAL TOLERANCES (UNLESS SPECIFIED)		DIMENSION UNITS	SCALE	  <b>MX123</b> <b>66/73/80CKT HRNS CONN ASSY</b>  <b>PRODUCT CUSTOMER DRAWING</b>			
	EC NO: 115716 DRWN: TYE CHKD: JDENG02 REV APPR:	G50	ANGULAR TOL ± °		MM	1:1				
			4 PLACES ±	SKRAJENDRANA	2011/02/14					
			3 PLACES ±	CHKD BY	DATE					
			2 PLACES ±	MVANSLAMBROU	2011/02/14					
			1 PLACE ±	APPR BY	DATE					
			0 PLACES ±							
			DRAFT WHERE APPLICABLE MUST REMAIN WITHIN DIMENSIONS		DRAWING SIZE	THIRD ANGLE PROJECTION				
					D					
SERIES		MATERIAL NUMBER	CUSTOMER							
34566		SEE BOM TABLE	GENERAL MARKET							
DOCUMENT NUMBER		DOC TYPE	DOC PART	SHEET NUMBER						
SD-34566-001		PSD	000	77 OF 93						



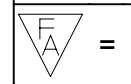
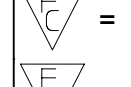
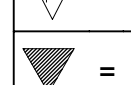
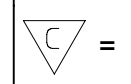
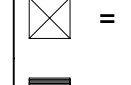
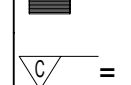
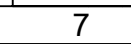

STATUS	GM PART #	MATERIAL #	WIRE DRESS OPTION	KEY OPTION	COLOR (TPA)	NUMBERS INDICATE CAVITIES OPEN FOR CIRCUITS F <sub>P</sub>																																																																																			
AVAILABLE	NOT APPLICABLE	34566-7223	0	C	BLUE	<table border="1"> <tr><td>72</td><td></td><td>70</td><td></td><td>68</td><td></td><td>66</td><td></td><td></td><td>63</td><td>62</td><td></td><td></td><td>59</td><td></td><td>57</td><td></td><td></td><td></td><td>53</td></tr> <tr><td>52</td><td>51</td><td></td><td></td><td>48</td><td>47</td><td>46</td><td></td><td>44</td><td></td><td>42</td><td></td><td>40</td><td>39</td><td></td><td>37</td><td>36</td><td></td><td>34</td><td>33</td></tr> <tr><td colspan="2">73</td><td></td><td></td><td>32</td><td></td><td>30</td><td></td><td></td><td></td><td>26</td><td>25</td><td>24</td><td></td><td>22</td><td>21</td><td>20</td><td></td><td></td><td></td></tr> <tr><td colspan="2"></td><td></td><td></td><td>15</td><td>14</td><td>13</td><td></td><td></td><td></td><td>10</td><td>9</td><td>8</td><td></td><td>6</td><td>5</td><td>4</td><td></td><td></td><td>2</td></tr> </table>	72		70		68		66			63	62			59		57				53	52	51			48	47	46		44		42		40	39		37	36		34	33	73				32		30				26	25	24		22	21	20								15	14	13				10	9	8		6	5	4			2			
72		70		68		66			63	62			59		57				53																																																																						
52	51			48	47	46		44		42		40	39		37	36		34	33																																																																						
73				32		30				26	25	24		22	21	20																																																																									
				15	14	13				10	9	8		6	5	4			2																																																																						
AVAILABLE	NOT APPLICABLE	34566-7233	9	A	BLACK	<table border="1"> <tr><td>72</td><td></td><td></td><td></td><td></td><td></td><td></td><td></td><td></td><td>62</td><td>61</td><td></td><td></td><td></td><td></td><td>57</td><td>56</td><td>55</td><td>54</td><td></td></tr> <tr><td>52</td><td>51</td><td></td><td></td><td></td><td></td><td>46</td><td>45</td><td></td><td>43</td><td></td><td></td><td>40</td><td></td><td></td><td>37</td><td></td><td>35</td><td>34</td><td></td></tr> <tr><td colspan="2">73</td><td></td><td></td><td>32</td><td></td><td>30</td><td>29</td><td></td><td></td><td></td><td>25</td><td></td><td></td><td></td><td></td><td>20</td><td></td><td></td><td></td></tr> <tr><td colspan="2"></td><td></td><td></td><td>16</td><td>15</td><td></td><td>13</td><td></td><td>11</td><td>10</td><td>9</td><td></td><td></td><td></td><td>4</td><td></td><td></td><td></td><td></td></tr> </table>	72									62	61					57	56	55	54		52	51					46	45		43			40			37		35	34		73				32		30	29				25					20								16	15		13		11	10	9				4							
72									62	61					57	56	55	54																																																																							
52	51					46	45		43			40			37		35	34																																																																							
73				32		30	29				25					20																																																																									
				16	15		13		11	10	9				4																																																																										
AVAILABLE	NOT APPLICABLE	34566-7243	9	A	BLACK	<table border="1"> <tr><td>72</td><td></td><td></td><td></td><td></td><td></td><td></td><td></td><td></td><td>62</td><td>61</td><td></td><td></td><td></td><td>58</td><td>57</td><td>56</td><td>55</td><td>54</td><td></td></tr> <tr><td>52</td><td>51</td><td></td><td></td><td></td><td></td><td>48</td><td></td><td>46</td><td>45</td><td></td><td>43</td><td></td><td>41</td><td>40</td><td></td><td>37</td><td></td><td>35</td><td>34</td></tr> <tr><td colspan="2">73</td><td></td><td></td><td>32</td><td></td><td>30</td><td>29</td><td></td><td></td><td></td><td>25</td><td></td><td></td><td></td><td></td><td>20</td><td></td><td></td><td></td></tr> <tr><td colspan="2"></td><td></td><td></td><td>16</td><td>15</td><td></td><td>13</td><td></td><td>11</td><td>10</td><td>9</td><td></td><td></td><td></td><td>4</td><td>3</td><td></td><td></td><td></td></tr> </table>	72									62	61				58	57	56	55	54		52	51					48		46	45		43		41	40		37		35	34	73				32		30	29				25					20								16	15		13		11	10	9				4	3						
72									62	61				58	57	56	55	54																																																																							
52	51					48		46	45		43		41	40		37		35	34																																																																						
73				32		30	29				25					20																																																																									
				16	15		13		11	10	9				4	3																																																																									
AVAILABLE	NOT APPLICABLE	34822-0073	0	A	BLACK	<table border="1"> <tr><td></td><td>63</td><td>62</td><td>61</td><td>60</td><td>59</td><td></td><td></td><td></td><td></td><td>54</td><td>53</td><td>51</td><td></td><td>49</td><td></td><td></td><td></td><td></td><td>66</td></tr> <tr><td></td><td>47</td><td></td><td></td><td></td><td></td><td></td><td></td><td></td><td></td><td>38</td><td>37</td><td>35</td><td></td><td>33</td><td></td><td></td><td></td><td></td><td></td></tr> <tr><td colspan="2">65</td><td></td><td></td><td></td><td></td><td></td><td></td><td>28</td><td></td><td></td><td>25</td><td></td><td></td><td>22</td><td>21</td><td>20</td><td>19</td><td>18</td><td>17</td></tr> <tr><td colspan="2"></td><td></td><td></td><td></td><td></td><td>15</td><td>14</td><td>13</td><td></td><td></td><td></td><td>8</td><td>7</td><td></td><td></td><td></td><td>3</td><td>2</td><td>1</td></tr> </table>		63	62	61	60	59					54	53	51		49					66		47									38	37	35		33						65								28			25			22	21	20	19	18	17							15	14	13				8	7				3	2	1			
	63	62	61	60	59					54	53	51		49					66																																																																						
	47									38	37	35		33																																																																											
65								28			25			22	21	20	19	18	17																																																																						
						15	14	13				8	7				3	2	1																																																																						
AVAILABLE	NOT APPLICABLE	34822-0083	9	A	BLACK	<table border="1"> <tr><td></td><td>63</td><td>62</td><td>61</td><td>60</td><td>59</td><td></td><td></td><td></td><td></td><td>54</td><td>53</td><td>51</td><td></td><td>49</td><td></td><td></td><td></td><td></td><td>66</td></tr> <tr><td></td><td>47</td><td></td><td></td><td></td><td></td><td></td><td></td><td></td><td></td><td>39</td><td>38</td><td>37</td><td>35</td><td></td><td>33</td><td></td><td></td><td></td><td></td></tr> <tr><td colspan="2">65</td><td></td><td></td><td></td><td></td><td></td><td></td><td>28</td><td></td><td></td><td>25</td><td></td><td></td><td>22</td><td>21</td><td>20</td><td>19</td><td>18</td><td>17</td></tr> <tr><td colspan="2"></td><td></td><td></td><td></td><td></td><td>15</td><td>14</td><td>13</td><td></td><td></td><td></td><td>8</td><td>7</td><td></td><td></td><td></td><td>3</td><td>2</td><td>1</td></tr> </table>		63	62	61	60	59					54	53	51		49					66		47									39	38	37	35		33					65								28			25			22	21	20	19	18	17							15	14	13				8	7				3	2	1			
	63	62	61	60	59					54	53	51		49					66																																																																						
	47									39	38	37	35		33																																																																										
65								28			25			22	21	20	19	18	17																																																																						
						15	14	13				8	7				3	2	1																																																																						
AVAILABLE	NOT APPLICABLE	34566-7253	0	B	ST.GRAY	<table border="1"> <tr><td>72</td><td></td><td></td><td></td><td></td><td></td><td></td><td></td><td></td><td></td><td>62</td><td>61</td><td></td><td></td><td></td><td></td><td></td><td></td><td></td><td></td></tr> <tr><td>52</td><td></td><td></td><td></td><td>48</td><td>47</td><td>46</td><td></td><td>44</td><td>43</td><td></td><td>41</td><td>40</td><td></td><td></td><td></td><td></td><td></td><td>20</td><td>19</td><td>18</td></tr> <tr><td colspan="2">73</td><td></td><td></td><td></td><td></td><td>30</td><td></td><td></td><td></td><td></td><td></td><td></td><td></td><td></td><td></td><td></td><td>4</td><td></td><td></td><td></td></tr> <tr><td colspan="2"></td><td></td><td></td><td>16</td><td></td><td>14</td><td></td><td></td><td></td><td></td><td></td><td></td><td></td><td></td><td></td><td></td><td></td><td></td><td></td><td></td></tr> </table>	72										62	61									52				48	47	46		44	43		41	40						20	19	18	73						30											4								16		14														
72										62	61																																																																														
52				48	47	46		44	43		41	40						20	19	18																																																																					
73						30											4																																																																								
				16		14																																																																																			
AVAILABLE	NOT APPLICABLE	34566-7263	0	C	BLUE	<table border="1"> <tr><td></td><td></td><td></td><td>69</td><td></td><td>67</td><td>66</td><td></td><td>64</td><td></td><td>62</td><td>60</td><td></td><td></td><td>57</td><td></td><td></td><td></td><td></td><td>54</td></tr> <tr><td>52</td><td>51</td><td>50</td><td></td><td>48</td><td></td><td>46</td><td>45</td><td>44</td><td></td><td>42</td><td></td><td></td><td></td><td>37</td><td></td><td></td><td></td><td>34</td><td>33</td></tr> <tr><td colspan="2">73</td><td></td><td></td><td></td><td></td><td></td><td></td><td>28</td><td>27</td><td>26</td><td></td><td></td><td></td><td></td><td></td><td></td><td></td><td>18</td><td></td></tr> <tr><td colspan="2"></td><td></td><td></td><td>16</td><td>15</td><td>14</td><td>13</td><td>12</td><td>11</td><td>10</td><td>9</td><td>8</td><td>7</td><td></td><td></td><td></td><td></td><td></td><td></td></tr> </table>				69		67	66		64		62	60			57					54	52	51	50		48		46	45	44		42				37				34	33	73								28	27	26								18						16	15	14	13	12	11	10	9	8	7									
			69		67	66		64		62	60			57					54																																																																						
52	51	50		48		46	45	44		42				37				34	33																																																																						
73								28	27	26								18																																																																							
				16	15	14	13	12	11	10	9	8	7																																																																												
AVAILABLE	NOT APPLICABLE	34566-7273	0	C	BLUE	<table border="1"> <tr><td></td><td></td><td></td><td>69</td><td></td><td>67</td><td>66</td><td></td><td>64</td><td></td><td>62</td><td>60</td><td></td><td></td><td>57</td><td></td><td></td><td></td><td></td><td>54</td></tr> <tr><td>52</td><td>51</td><td>50</td><td></td><td>48</td><td></td><td>46</td><td>45</td><td>44</td><td></td><td>42</td><td></td><td></td><td></td><td>37</td><td></td><td></td><td></td><td>35</td><td>34</td><td>33</td></tr> <tr><td colspan="2">73</td><td></td><td></td><td>32</td><td></td><td></td><td></td><td>28</td><td>27</td><td>26</td><td></td><td></td><td></td><td></td><td></td><td></td><td></td><td>19</td><td>18</td><td>17</td></tr> <tr><td colspan="2"></td><td></td><td></td><td>16</td><td>15</td><td>14</td><td>13</td><td>12</td><td>11</td><td>10</td><td>9</td><td>8</td><td>7</td><td></td><td></td><td></td><td></td><td></td><td></td><td></td></tr> </table>				69		67	66		64		62	60			57					54	52	51	50		48		46	45	44		42				37				35	34	33	73				32				28	27	26								19	18	17					16	15	14	13	12	11	10	9	8	7							
			69		67	66		64		62	60			57					54																																																																						
52	51	50		48		46	45	44		42				37				35	34	33																																																																					
73				32				28	27	26								19	18	17																																																																					
				16	15	14	13	12	11	10	9	8	7																																																																												
AVAILABLE	NOT APPLICABLE	34566-7283	0	C	BLUE	<table border="1"> <tr><td></td><td></td><td></td><td>69</td><td></td><td>67</td><td>66</td><td></td><td>64</td><td></td><td>61</td><td>60</td><td></td><td></td><td>57</td><td></td><td></td><td></td><td></td><td>54</td></tr> <tr><td>52</td><td>51</td><td>50</td><td>49</td><td>48</td><td></td><td>46</td><td>45</td><td>44</td><td></td><td>41</td><td></td><td></td><td></td><td>37</td><td></td><td></td><td></td><td>34</td><td>33</td></tr> <tr><td colspan="2">73</td><td></td><td></td><td></td><td></td><td></td><td></td><td>28</td><td>27</td><td>25</td><td></td><td></td><td></td><td></td><td></td><td></td><td></td><td>18</td><td></td></tr> <tr><td colspan="2"></td><td></td><td></td><td>16</td><td>15</td><td>14</td><td>13</td><td>12</td><td>11</td><td>10</td><td>9</td><td>8</td><td>7</td><td></td><td></td><td></td><td></td><td></td><td></td><td></td></tr> </table>				69		67	66		64		61	60			57					54	52	51	50	49	48		46	45	44		41				37				34	33	73								28	27	25								18						16	15	14	13	12	11	10	9	8	7									
			69		67	66		64		61	60			57					54																																																																						
52	51	50	49	48		46	45	44		41				37				34	33																																																																						
73								28	27	25								18																																																																							
				16	15	14	13	12	11	10	9	8	7																																																																												

<b>QUALITY SYMBOLS</b> = 0 = 0 = 0 = 0 = 0 = 0 = 0 = 0 = 0	THIS DRAWING CONTAINS INFORMATION THAT IS PROPRIETARY TO MOLEX ELECTRONIC TECHNOLOGIES, LLC AND SHOULD NOT BE USED WITHOUT WRITTEN PERMISSION													
	2017/04/12	2017/04/21	GENERAL TOLERANCES (UNLESS SPECIFIED)		DIMENSION UNITS	SCALE	 <b>MX123</b> <b>66/73/80CKT HRNS CONN ASSY</b> <b>PRODUCT CUSTOMER DRAWING</b>							
	DRWN BY		DATE		MM	1:1								
	SKRAJENDRANA		2011/02/14		DRWN BY									
	CHKD BY		DATE		MVANSLAMBROU									
	APPR BY		DATE		2011/02/14									
	EC NO: 115716	DRWN: TYE	CHKD: JDENG02	REV: APPR: JDENG02	4 PLACES ±		DRAWING SIZE		THIRD ANGLE PROJECTION		SERIES	MATERIAL NUMBER	CUSTOMER	
	3 PLACES ±		D		DRAFT WHERE APPLICABLE MUST REMAIN WITHIN DIMENSIONS		34566	SEE BOM TABLE	GENERAL MARKET		DOCUMENT NUMBER	DOC TYPE	DOC PART	SHEET NUMBER
	2 PLACES ±		D		DRAFT WHERE APPLICABLE MUST REMAIN WITHIN DIMENSIONS		SD-34566-001	PSD	000	79 OF 93				
	1 PLACE ±		D		DRAFT WHERE APPLICABLE MUST REMAIN WITHIN DIMENSIONS									
0 PLACES ±		D		DRAFT WHERE APPLICABLE MUST REMAIN WITHIN DIMENSIONS										

STATUS	GM PART #	MATERIAL #	WIRE DRESS OPTION	KEY OPTION	COLOR (TPA)	NUMBERS INDICATE CAVITIES OPEN FOR CIRCUITS F <sub>P</sub>																																																																																						
AVAILABLE	NOT APPLICABLE	34566-7293	9	A	BLACK	<table border="1"> <tr><td>72</td><td>71</td><td>70</td><td>69</td><td>68</td><td>67</td><td>66</td><td>65</td><td>64</td><td>63</td><td></td><td></td><td></td><td></td><td>59</td><td></td><td></td><td></td><td></td><td>53</td></tr> <tr><td>52</td><td>51</td><td>50</td><td>49</td><td>48</td><td>47</td><td>46</td><td>45</td><td>44</td><td>43</td><td></td><td></td><td></td><td></td><td>39</td><td></td><td></td><td></td><td></td><td>34</td><td>33</td></tr> <tr><td colspan="4">73</td><td>32</td><td>31</td><td>30</td><td>29</td><td>28</td><td>27</td><td>26</td><td>25</td><td>24</td><td>23</td><td></td><td></td><td></td><td></td><td></td><td>17</td><td></td></tr> <tr><td></td><td></td><td></td><td></td><td>16</td><td>15</td><td>14</td><td>13</td><td>12</td><td>11</td><td>10</td><td></td><td>8</td><td>7</td><td></td><td></td><td></td><td></td><td>3</td><td>2</td><td>1</td></tr> </table>	72	71	70	69	68	67	66	65	64	63					59					53	52	51	50	49	48	47	46	45	44	43					39					34	33	73				32	31	30	29	28	27	26	25	24	23						17						16	15	14	13	12	11	10		8	7					3	2	1			
72	71	70	69	68	67	66	65	64	63					59					53																																																																									
52	51	50	49	48	47	46	45	44	43					39					34	33																																																																								
73				32	31	30	29	28	27	26	25	24	23						17																																																																									
				16	15	14	13	12	11	10		8	7					3	2	1																																																																								
AVAILABLE	NOT APPLICABLE	34566-7313	0	B	ST.GRAY	<table border="1"> <tr><td>72</td><td></td><td></td><td></td><td></td><td>67</td><td></td><td></td><td></td><td></td><td>62</td><td>61</td><td></td><td></td><td></td><td></td><td></td><td></td><td></td><td>55</td><td></td></tr> <tr><td>52</td><td></td><td></td><td></td><td></td><td>48</td><td>47</td><td>46</td><td></td><td></td><td>43</td><td></td><td></td><td></td><td>40</td><td></td><td></td><td></td><td></td><td></td><td></td></tr> <tr><td colspan="4">73</td><td></td><td></td><td>30</td><td></td><td></td><td></td><td></td><td></td><td></td><td></td><td>22</td><td>21</td><td>20</td><td>19</td><td>18</td><td></td><td></td></tr> <tr><td></td><td></td><td></td><td></td><td>16</td><td></td><td>14</td><td></td><td></td><td></td><td></td><td></td><td></td><td></td><td>6</td><td></td><td>4</td><td></td><td></td><td></td><td></td></tr> </table>	72					67					62	61								55		52					48	47	46			43				40							73						30								22	21	20	19	18							16		14								6		4						
72					67					62	61								55																																																																									
52					48	47	46			43				40																																																																														
73						30								22	21	20	19	18																																																																										
				16		14								6		4																																																																												
AVAILABLE	NOT APPLICABLE	34566-7323	9	G	ST.GRAY	<table border="1"> <tr><td></td><td></td><td></td><td></td><td></td><td></td><td></td><td></td><td></td><td>73</td><td></td><td></td><td></td><td></td><td>68</td><td>67</td><td></td><td></td><td></td><td>64</td><td>63</td></tr> <tr><td></td><td>59</td><td>58</td><td></td><td></td><td></td><td>55</td><td>54</td><td></td><td></td><td></td><td></td><td></td><td></td><td>46</td><td>45</td><td>44</td><td>43</td><td></td><td></td><td></td></tr> <tr><td></td><td>39</td><td>38</td><td></td><td></td><td></td><td>35</td><td></td><td></td><td>32</td><td></td><td>30</td><td>29</td><td>28</td><td>27</td><td></td><td></td><td></td><td></td><td>23</td><td>22</td></tr> <tr><td></td><td>19</td><td></td><td>17</td><td></td><td></td><td>15</td><td></td><td>13</td><td>12</td><td></td><td>10</td><td>9</td><td></td><td></td><td>6</td><td></td><td>4</td><td></td><td></td><td>1</td></tr> </table>										73					68	67				64	63		59	58				55	54							46	45	44	43					39	38				35			32		30	29	28	27					23	22		19		17			15		13	12		10	9			6		4			1		
									73					68	67				64	63																																																																								
	59	58				55	54							46	45	44	43																																																																											
	39	38				35			32		30	29	28	27					23	22																																																																								
	19		17			15		13	12		10	9			6		4			1																																																																								
AVAILABLE	NOT APPLICABLE	34566-7333	9	B	ST.GRAY	<table border="1"> <tr><td>72</td><td>71</td><td>70</td><td>69</td><td>68</td><td>67</td><td>66</td><td>65</td><td>64</td><td>63</td><td>62</td><td>61</td><td>60</td><td>59</td><td></td><td>57</td><td>56</td><td>55</td><td></td><td></td><td></td></tr> <tr><td>52</td><td>51</td><td>50</td><td>49</td><td>48</td><td>47</td><td>46</td><td>45</td><td>44</td><td>43</td><td></td><td>41</td><td>40</td><td>39</td><td>38</td><td>37</td><td>36</td><td>35</td><td>34</td><td>33</td><td></td></tr> <tr><td colspan="4">73</td><td>32</td><td>31</td><td>30</td><td>29</td><td>28</td><td></td><td>26</td><td></td><td>24</td><td>23</td><td>22</td><td>21</td><td>20</td><td>19</td><td>18</td><td>17</td><td></td></tr> <tr><td></td><td></td><td></td><td></td><td>16</td><td>15</td><td>14</td><td>13</td><td>12</td><td>11</td><td></td><td>9</td><td>8</td><td>7</td><td>6</td><td>5</td><td>4</td><td>3</td><td>2</td><td>1</td><td></td></tr> </table>	72	71	70	69	68	67	66	65	64	63	62	61	60	59		57	56	55				52	51	50	49	48	47	46	45	44	43		41	40	39	38	37	36	35	34	33		73				32	31	30	29	28		26		24	23	22	21	20	19	18	17						16	15	14	13	12	11		9	8	7	6	5	4	3	2	1			
72	71	70	69	68	67	66	65	64	63	62	61	60	59		57	56	55																																																																											
52	51	50	49	48	47	46	45	44	43		41	40	39	38	37	36	35	34	33																																																																									
73				32	31	30	29	28		26		24	23	22	21	20	19	18	17																																																																									
				16	15	14	13	12	11		9	8	7	6	5	4	3	2	1																																																																									
AVAILABLE	NOT APPLICABLE	34566-7343	9	B	ST.GRAY	<table border="1"> <tr><td></td><td></td><td></td><td></td><td>68</td><td>67</td><td></td><td></td><td>64</td><td>63</td><td></td><td></td><td></td><td>59</td><td>58</td><td></td><td></td><td>55</td><td>54</td><td></td><td></td></tr> <tr><td></td><td></td><td></td><td></td><td></td><td></td><td>46</td><td>45</td><td>44</td><td>43</td><td></td><td></td><td></td><td>39</td><td>38</td><td></td><td></td><td>35</td><td></td><td></td><td></td></tr> <tr><td colspan="4">73</td><td>32</td><td></td><td>30</td><td>29</td><td>28</td><td>27</td><td></td><td></td><td></td><td>23</td><td>22</td><td></td><td></td><td>19</td><td></td><td>17</td><td></td></tr> <tr><td></td><td></td><td></td><td></td><td></td><td>15</td><td></td><td>13</td><td>12</td><td></td><td>10</td><td>9</td><td></td><td></td><td>6</td><td></td><td>4</td><td></td><td></td><td></td><td>1</td></tr> </table>					68	67			64	63				59	58			55	54									46	45	44	43				39	38			35				73				32		30	29	28	27				23	22			19		17							15		13	12		10	9			6		4				1		
				68	67			64	63				59	58			55	54																																																																										
						46	45	44	43				39	38			35																																																																											
73				32		30	29	28	27				23	22			19		17																																																																									
					15		13	12		10	9			6		4				1																																																																								
AVAILABLE	NOT APPLICABLE	34566-7353	9	C	BLUE	<table border="1"> <tr><td></td><td></td><td></td><td>69</td><td></td><td>67</td><td>66</td><td></td><td>64</td><td></td><td>62</td><td>60</td><td></td><td></td><td>57</td><td></td><td>55</td><td>54</td><td></td><td></td><td></td></tr> <tr><td>52</td><td>51</td><td>50</td><td></td><td>48</td><td>47</td><td>46</td><td>45</td><td>44</td><td></td><td>42</td><td></td><td></td><td></td><td>37</td><td></td><td>35</td><td>34</td><td>33</td><td></td><td></td></tr> <tr><td colspan="4">73</td><td>32</td><td></td><td></td><td></td><td>28</td><td>27</td><td>26</td><td></td><td></td><td></td><td></td><td></td><td></td><td>19</td><td>18</td><td>17</td><td></td><td></td></tr> <tr><td></td><td></td><td></td><td></td><td>16</td><td>15</td><td>14</td><td>13</td><td>12</td><td>11</td><td>10</td><td>9</td><td>8</td><td>7</td><td></td><td></td><td></td><td></td><td></td><td></td><td></td></tr> </table>				69		67	66		64		62	60			57		55	54				52	51	50		48	47	46	45	44		42				37		35	34	33			73				32				28	27	26							19	18	17							16	15	14	13	12	11	10	9	8	7								
			69		67	66		64		62	60			57		55	54																																																																											
52	51	50		48	47	46	45	44		42				37		35	34	33																																																																										
73				32				28	27	26							19	18	17																																																																									
				16	15	14	13	12	11	10	9	8	7																																																																															
AVAILABLE	NOT APPLICABLE	34566-7363	0	B	ST.GRAY	<table border="1"> <tr><td>72</td><td></td><td>70</td><td></td><td>68</td><td></td><td></td><td></td><td></td><td></td><td>62</td><td>61</td><td>60</td><td>59</td><td></td><td></td><td></td><td></td><td></td><td>55</td><td></td></tr> <tr><td>52</td><td></td><td></td><td></td><td></td><td></td><td>46</td><td></td><td>44</td><td>43</td><td></td><td>41</td><td>40</td><td></td><td></td><td></td><td></td><td></td><td></td><td>20</td><td>19</td><td>18</td><td>17</td></tr> <tr><td colspan="4">73</td><td></td><td></td><td></td><td></td><td></td><td></td><td></td><td></td><td></td><td>8</td><td></td><td></td><td></td><td></td><td></td><td>4</td><td></td><td></td><td></td></tr> </table>	72		70		68						62	61	60	59						55		52						46		44	43		41	40							20	19	18	17	73													8						4																						
72		70		68						62	61	60	59						55																																																																									
52						46		44	43		41	40							20	19	18	17																																																																						
73													8						4																																																																									
AVAILABLE	NOT APPLICABLE	34566-7373	0	A	BLACK	<table border="1"> <tr><td>72</td><td>71</td><td>70</td><td>69</td><td>68</td><td></td><td>66</td><td>65</td><td>64</td><td></td><td></td><td>61</td><td>60</td><td></td><td></td><td>57</td><td>56</td><td></td><td></td><td>54</td><td>53</td></tr> <tr><td>52</td><td>51</td><td>50</td><td>49</td><td>48</td><td></td><td>46</td><td>45</td><td>44</td><td>43</td><td>42</td><td></td><td>40</td><td>39</td><td>38</td><td>37</td><td>36</td><td></td><td></td><td>34</td><td>33</td></tr> <tr><td colspan="4">73</td><td></td><td></td><td>31</td><td>30</td><td>29</td><td>28</td><td></td><td>26</td><td>25</td><td></td><td>23</td><td>22</td><td>21</td><td>20</td><td></td><td></td><td></td><td></td></tr> <tr><td></td><td></td><td></td><td></td><td></td><td></td><td>15</td><td>14</td><td>13</td><td>12</td><td></td><td></td><td>9</td><td>7</td><td>6</td><td>5</td><td>4</td><td></td><td></td><td>2</td><td></td><td></td></tr> </table>	72	71	70	69	68		66	65	64			61	60			57	56			54	53	52	51	50	49	48		46	45	44	43	42		40	39	38	37	36			34	33	73						31	30	29	28		26	25		23	22	21	20											15	14	13	12			9	7	6	5	4			2		
72	71	70	69	68		66	65	64			61	60			57	56			54	53																																																																								
52	51	50	49	48		46	45	44	43	42		40	39	38	37	36			34	33																																																																								
73						31	30	29	28		26	25		23	22	21	20																																																																											
						15	14	13	12			9	7	6	5	4			2																																																																									
AVAILABLE	NOT APPLICABLE	34566-7383	0	C	BLUE	<table border="1"> <tr><td></td><td>71</td><td>70</td><td></td><td></td><td>67</td><td>66</td><td>65</td><td>64</td><td></td><td></td><td>61</td><td>60</td><td></td><td></td><td>57</td><td></td><td></td><td></td><td>54</td><td></td></tr> <tr><td>52</td><td>51</td><td>50</td><td>49</td><td>48</td><td>47</td><td></td><td>45</td><td>44</td><td></td><td></td><td>41</td><td>40</td><td></td><td></td><td>37</td><td></td><td></td><td></td><td>34</td><td>33</td></tr> <tr><td colspan="4">73</td><td></td><td></td><td>32</td><td></td><td></td><td>28</td><td>27</td><td>25</td><td></td><td></td><td></td><td></td><td></td><td></td><td></td><td></td><td></td><td>17</td></tr> <tr><td></td><td></td><td></td><td></td><td></td><td></td><td>16</td><td>15</td><td>14</td><td>13</td><td>12</td><td>11</td><td>10</td><td>9</td><td>8</td><td>7</td><td></td><td></td><td></td><td></td><td></td><td></td></tr> </table>		71	70			67	66	65	64			61	60			57				54		52	51	50	49	48	47		45	44			41	40			37				34	33	73						32			28	27	25										17							16	15	14	13	12	11	10	9	8	7						
	71	70			67	66	65	64			61	60			57				54																																																																									
52	51	50	49	48	47		45	44			41	40			37				34	33																																																																								
73						32			28	27	25										17																																																																							
						16	15	14	13	12	11	10	9	8	7																																																																													

<p>QUALITY SYMBOLS</p> <p>⊕ = 0</p> <p>⊖ = 0</p> <p>⊗ = 0</p> <p>▽ = 0</p> <p>◀ = 0</p> <p>□ = 0</p> <p>■ = 0</p> <p>∇ = 0</p>	<p>THIS DRAWING CONTAINS INFORMATION THAT IS PROPRIETARY TO MOLEX ELECTRONIC TECHNOLOGIES, LLC AND SHOULD NOT BE USED WITHOUT WRITTEN PERMISSION</p> <p>2017/04/12</p> <p>2017/04/21</p> <p>EC NO: 115716</p> <p>DRWN: TYE</p> <p>CHKD: JDENG02</p> <p>REV APPR: JDENG02</p> <p>G50</p>	<p>GENERAL TOLERANCES (UNLESS SPECIFIED)</p> <p>ANGULAR TOL ± °</p> <p>4 PLACES ±</p> <p>3 PLACES ±</p> <p>2 PLACES ±</p> <p>1 PLACE ±</p> <p>0 PLACES ±</p> <p>DRAFT WHERE APPLICABLE MUST REMAIN WITHIN DIMENSIONS</p>	<p>DIMENSION UNITS</p> <p>SCALE</p> <p>MM</p> <p>1:1</p> <p>DRWN BY</p> <p>DATE</p> <p>SKRAJENDRANA</p> <p>2011/02/14</p> <p>CHKD BY</p> <p>DATE</p> <p>MVANSLAMBROU</p> <p>2011/02/14</p> <p>APPR BY</p> <p>DATE</p> <p>DRAWING SIZE</p> <p>THIRD ANGLE PROJECTION</p> <p>D</p>	<p><b>molex</b></p> <p>MX123</p> <p>66/73/80CKT HRNS CONN ASSY</p> <p>PRODUCT CUSTOMER DRAWING</p> <p>SERIES</p> <p>MATERIAL NUMBER</p> <p>CUSTOMER</p> <p>34566</p> <p>SEE BOM TABLE</p> <p>GENERAL MARKET</p> <p>DOCUMENT NUMBER</p> <p>DOC TYPE</p> <p>DOC PART</p> <p>SHEET NUMBER</p> <p>SD-34566-001</p> <p>PSD</p> <p>000</p> <p>80 OF 93</p>
--	---	--	--	--

STATUS	GM PART #	MATERIAL #	WIRE DRESS OPTION	KEY OPTION	COLOR (TPA)	NUMBERS INDICATE CAVITIES OPEN FOR CIRCUITS Fp																																																																																				
AVAILABLE	NOT APPLICABLE	34566-7393	0	B	ST.GRAY	<table border="1"> <tr><td>72</td><td></td><td></td><td></td><td></td><td></td><td></td><td></td><td></td><td></td><td>62</td><td>61</td><td></td><td></td><td></td><td></td><td></td><td></td><td>55</td><td></td><td></td></tr> <tr><td>52</td><td></td><td></td><td></td><td>48</td><td>47</td><td>46</td><td></td><td>44</td><td>43</td><td></td><td></td><td></td><td></td><td>40</td><td></td><td></td><td></td><td></td><td></td><td></td></tr> <tr><td colspan="2">73</td><td></td><td></td><td></td><td></td><td></td><td></td><td></td><td></td><td></td><td></td><td></td><td></td><td></td><td></td><td></td><td></td><td>20</td><td>19</td><td>18</td></tr> <tr><td colspan="2"></td><td></td><td></td><td>16</td><td>15</td><td>14</td><td></td><td></td><td></td><td></td><td></td><td></td><td></td><td></td><td></td><td></td><td></td><td>4</td><td></td><td></td></tr> </table>	72										62	61							55			52				48	47	46		44	43					40							73																		20	19	18					16	15	14												4		
72										62	61							55																																																																								
52				48	47	46		44	43					40																																																																												
73																		20	19	18																																																																						
				16	15	14												4																																																																								
AVAILABLE	NOT APPLICABLE	34566-7413	0	A	BLACK	<table border="1"> <tr><td>72</td><td>71</td><td>70</td><td>69</td><td>68</td><td></td><td>66</td><td>65</td><td>64</td><td>63</td><td></td><td>61</td><td>60</td><td></td><td></td><td>57</td><td>56</td><td></td><td>54</td><td>53</td></tr> <tr><td></td><td>51</td><td>50</td><td>49</td><td>48</td><td></td><td>46</td><td>45</td><td>44</td><td>43</td><td>42</td><td></td><td>40</td><td>39</td><td>38</td><td>37</td><td>36</td><td></td><td>34</td><td>33</td></tr> <tr><td colspan="2">73</td><td></td><td></td><td>32</td><td>31</td><td>30</td><td>29</td><td>28</td><td></td><td>26</td><td>25</td><td></td><td>23</td><td>22</td><td>21</td><td>20</td><td></td><td></td><td></td></tr> <tr><td colspan="2"></td><td></td><td></td><td></td><td>15</td><td>14</td><td>13</td><td>12</td><td></td><td></td><td>9</td><td>7</td><td>6</td><td>5</td><td>4</td><td></td><td></td><td></td><td>2</td></tr> </table>	72	71	70	69	68		66	65	64	63		61	60			57	56		54	53		51	50	49	48		46	45	44	43	42		40	39	38	37	36		34	33	73				32	31	30	29	28		26	25		23	22	21	20									15	14	13	12			9	7	6	5	4				2				
72	71	70	69	68		66	65	64	63		61	60			57	56		54	53																																																																							
	51	50	49	48		46	45	44	43	42		40	39	38	37	36		34	33																																																																							
73				32	31	30	29	28		26	25		23	22	21	20																																																																										
					15	14	13	12			9	7	6	5	4				2																																																																							
AVAILABLE	NOT APPLICABLE	34566-7423	0	C	BLUE	<table border="1"> <tr><td></td><td></td><td>70</td><td>69</td><td></td><td>67</td><td></td><td></td><td>64</td><td></td><td></td><td>61</td><td>60</td><td></td><td></td><td>57</td><td></td><td></td><td>54</td><td></td></tr> <tr><td>52</td><td>51</td><td>50</td><td>49</td><td>48</td><td>47</td><td>46</td><td>45</td><td>44</td><td></td><td></td><td>41</td><td></td><td></td><td></td><td>37</td><td></td><td></td><td>34</td><td>33</td></tr> <tr><td colspan="2">73</td><td></td><td></td><td>32</td><td></td><td></td><td></td><td>28</td><td>27</td><td></td><td>25</td><td></td><td></td><td></td><td></td><td></td><td></td><td>18</td><td>17</td></tr> <tr><td colspan="2"></td><td></td><td></td><td>16</td><td>15</td><td>14</td><td>13</td><td>12</td><td>11</td><td>10</td><td>9</td><td>8</td><td>7</td><td></td><td></td><td></td><td></td><td></td><td></td></tr> </table>			70	69		67			64			61	60			57			54		52	51	50	49	48	47	46	45	44			41				37			34	33	73				32				28	27		25							18	17					16	15	14	13	12	11	10	9	8	7										
		70	69		67			64			61	60			57			54																																																																								
52	51	50	49	48	47	46	45	44			41				37			34	33																																																																							
73				32				28	27		25							18	17																																																																							
				16	15	14	13	12	11	10	9	8	7																																																																													
AVAILABLE	NOT APPLICABLE	34566-7433	0	B	ST.GRAY	<table border="1"> <tr><td>72</td><td></td><td></td><td></td><td>68</td><td></td><td></td><td></td><td></td><td></td><td></td><td>62</td><td>61</td><td>60</td><td>59</td><td></td><td></td><td></td><td>55</td><td></td></tr> <tr><td>52</td><td></td><td></td><td></td><td>48</td><td>47</td><td>46</td><td></td><td>44</td><td>43</td><td></td><td>41</td><td>40</td><td></td><td></td><td>38</td><td>37</td><td>36</td><td>35</td><td></td></tr> <tr><td colspan="2">73</td><td></td><td></td><td></td><td></td><td>30</td><td></td><td></td><td></td><td></td><td></td><td></td><td></td><td></td><td></td><td></td><td>20</td><td>19</td><td>18</td></tr> <tr><td colspan="2"></td><td></td><td></td><td>16</td><td>15</td><td>14</td><td></td><td></td><td></td><td></td><td>8</td><td></td><td></td><td></td><td></td><td></td><td>4</td><td></td><td>1</td></tr> </table>	72				68							62	61	60	59				55		52				48	47	46		44	43		41	40			38	37	36	35		73						30											20	19	18					16	15	14					8						4		1				
72				68							62	61	60	59				55																																																																								
52				48	47	46		44	43		41	40			38	37	36	35																																																																								
73						30											20	19	18																																																																							
				16	15	14					8						4		1																																																																							
AVAILABLE	NOT APPLICABLE	34566-7443	0	A	BLACK	<table border="1"> <tr><td>72</td><td>71</td><td>70</td><td>69</td><td>68</td><td></td><td>66</td><td>65</td><td>64</td><td>63</td><td></td><td></td><td>60</td><td></td><td></td><td>57</td><td>56</td><td></td><td>54</td><td></td></tr> <tr><td>52</td><td>51</td><td>50</td><td>49</td><td>48</td><td></td><td>46</td><td>45</td><td>44</td><td>43</td><td>42</td><td></td><td>40</td><td>39</td><td>38</td><td>37</td><td>36</td><td></td><td>34</td><td></td></tr> <tr><td colspan="2">73</td><td></td><td></td><td></td><td>31</td><td>30</td><td>29</td><td>28</td><td></td><td>26</td><td>25</td><td></td><td>23</td><td>22</td><td>21</td><td>20</td><td></td><td></td><td></td></tr> <tr><td colspan="2"></td><td></td><td></td><td></td><td></td><td>15</td><td>14</td><td>13</td><td>12</td><td></td><td>9</td><td>7</td><td>6</td><td>5</td><td>4</td><td></td><td></td><td></td><td>2</td></tr> </table>	72	71	70	69	68		66	65	64	63			60			57	56		54		52	51	50	49	48		46	45	44	43	42		40	39	38	37	36		34		73					31	30	29	28		26	25		23	22	21	20										15	14	13	12		9	7	6	5	4				2				
72	71	70	69	68		66	65	64	63			60			57	56		54																																																																								
52	51	50	49	48		46	45	44	43	42		40	39	38	37	36		34																																																																								
73					31	30	29	28		26	25		23	22	21	20																																																																										
						15	14	13	12		9	7	6	5	4				2																																																																							
AVAILABLE	NOT APPLICABLE	34566-7453	0	C	BLUE	<table border="1"> <tr><td></td><td>71</td><td>70</td><td></td><td></td><td>67</td><td>66</td><td>65</td><td>64</td><td></td><td></td><td>61</td><td>60</td><td></td><td></td><td>58</td><td>57</td><td></td><td>54</td><td></td></tr> <tr><td>52</td><td>51</td><td>50</td><td>49</td><td>48</td><td>47</td><td></td><td>45</td><td>44</td><td></td><td></td><td>41</td><td></td><td></td><td></td><td>38</td><td>37</td><td></td><td>34</td><td>33</td></tr> <tr><td colspan="2">73</td><td></td><td></td><td>32</td><td></td><td></td><td></td><td>28</td><td>27</td><td></td><td>25</td><td></td><td></td><td></td><td></td><td></td><td></td><td>18</td><td>17</td></tr> <tr><td colspan="2"></td><td></td><td></td><td>16</td><td>15</td><td>14</td><td>13</td><td>12</td><td>11</td><td>10</td><td>9</td><td>8</td><td>7</td><td></td><td></td><td></td><td></td><td></td><td></td></tr> </table>		71	70			67	66	65	64			61	60			58	57		54		52	51	50	49	48	47		45	44			41				38	37		34	33	73				32				28	27		25							18	17					16	15	14	13	12	11	10	9	8	7										
	71	70			67	66	65	64			61	60			58	57		54																																																																								
52	51	50	49	48	47		45	44			41				38	37		34	33																																																																							
73				32				28	27		25							18	17																																																																							
				16	15	14	13	12	11	10	9	8	7																																																																													
AVAILABLE	NOT APPLICABLE	34566-7463	0	B	ST.GRAY	<table border="1"> <tr><td>72</td><td></td><td></td><td></td><td>68</td><td></td><td></td><td></td><td></td><td></td><td></td><td>62</td><td>61</td><td></td><td></td><td></td><td></td><td></td><td>55</td><td></td></tr> <tr><td>52</td><td></td><td></td><td></td><td>48</td><td>47</td><td>46</td><td></td><td></td><td></td><td>43</td><td></td><td></td><td></td><td>40</td><td></td><td></td><td></td><td></td><td></td></tr> <tr><td colspan="2">73</td><td></td><td></td><td></td><td></td><td>30</td><td></td><td></td><td></td><td></td><td></td><td></td><td></td><td></td><td>22</td><td>21</td><td>20</td><td>19</td><td>18</td></tr> <tr><td colspan="2"></td><td></td><td></td><td>16</td><td>15</td><td>14</td><td></td><td></td><td></td><td></td><td>8</td><td></td><td>6</td><td></td><td>4</td><td></td><td></td><td></td><td>2</td></tr> </table>	72				68							62	61						55		52				48	47	46				43				40						73						30									22	21	20	19	18					16	15	14					8		6		4				2				
72				68							62	61						55																																																																								
52				48	47	46				43				40																																																																												
73						30									22	21	20	19	18																																																																							
				16	15	14					8		6		4				2																																																																							
AVAILABLE	NOT APPLICABLE	34566-7473	0	B	ST.GRAY	<table border="1"> <tr><td>72</td><td></td><td></td><td></td><td>68</td><td>67</td><td></td><td></td><td></td><td></td><td>63</td><td>62</td><td>61</td><td></td><td></td><td></td><td></td><td></td><td>55</td><td></td></tr> <tr><td>52</td><td></td><td></td><td></td><td>48</td><td>47</td><td>46</td><td></td><td></td><td></td><td>43</td><td></td><td></td><td></td><td>40</td><td></td><td></td><td></td><td></td><td></td></tr> <tr><td colspan="2">73</td><td></td><td></td><td></td><td></td><td>30</td><td></td><td></td><td></td><td>27</td><td></td><td></td><td></td><td></td><td>22</td><td>21</td><td>20</td><td>19</td><td>18</td></tr> <tr><td colspan="2"></td><td></td><td></td><td>16</td><td></td><td>14</td><td></td><td></td><td></td><td>11</td><td></td><td>8</td><td></td><td>6</td><td></td><td>4</td><td></td><td></td><td></td></tr> </table>	72				68	67					63	62	61						55		52				48	47	46				43				40						73						30				27					22	21	20	19	18					16		14				11		8		6		4							
72				68	67					63	62	61						55																																																																								
52				48	47	46				43				40																																																																												
73						30				27					22	21	20	19	18																																																																							
				16		14				11		8		6		4																																																																										
AVAILABLE	NOT APPLICABLE	34566-7483	0	B	ST.GRAY	<table border="1"> <tr><td>72</td><td></td><td></td><td></td><td>68</td><td></td><td></td><td></td><td></td><td></td><td></td><td>62</td><td>61</td><td></td><td></td><td></td><td></td><td></td><td>55</td><td></td></tr> <tr><td>52</td><td></td><td></td><td></td><td>48</td><td>47</td><td>46</td><td></td><td></td><td></td><td>43</td><td></td><td></td><td></td><td>40</td><td></td><td></td><td></td><td></td><td></td></tr> <tr><td colspan="2">73</td><td></td><td></td><td></td><td></td><td>30</td><td></td><td></td><td></td><td></td><td></td><td></td><td></td><td></td><td>22</td><td>21</td><td>20</td><td>19</td><td>18</td></tr> <tr><td colspan="2"></td><td></td><td></td><td>16</td><td>15</td><td>14</td><td></td><td></td><td></td><td></td><td>8</td><td></td><td>6</td><td></td><td>4</td><td></td><td></td><td></td><td>2</td></tr> </table>	72				68							62	61						55		52				48	47	46				43				40						73						30									22	21	20	19	18					16	15	14					8		6		4				2				
72				68							62	61						55																																																																								
52				48	47	46				43				40																																																																												
73						30									22	21	20	19	18																																																																							
				16	15	14					8		6		4				2																																																																							

<b>QUALITY SYMBOLS</b>  = 0  = 0  = 0  = 0  = 0  = 0  = 0	THIS DRAWING CONTAINS INFORMATION THAT IS PROPRIETARY TO MOLEX ELECTRONIC TECHNOLOGIES, LLC AND SHOULD NOT BE USED WITHOUT WRITTEN PERMISSION													
	2017/04/12	2017/04/21	GENERAL TOLERANCES (UNLESS SPECIFIED)		DIMENSION UNITS	SCALE	  <b>MX123</b> <b>66/73/80CKT HRNS CONN ASSY</b>  <b>PRODUCT CUSTOMER DRAWING</b>							
	DRWN BY		DATE		MM	1:1								
	SKRAJENDRANA		2011/02/14		DRWN BY						DATE			
	CHKD BY		DATE		MVANSLAMBROU						2011/02/14			
	APPR BY		DATE		DRAFT WHERE APPLICABLE MUST REMAIN WITHIN DIMENSIONS						D		THIRD ANGLE PROJECTION	
	SERIES		MATERIAL NUMBER		CUSTOMER									
	34566		SEE BOM TABLE		GENERAL MARKET									
	DOCUMENT NUMBER		DOC TYPE		DOC PART						SHEET NUMBER			
	SD-34566-001		PSD		000						81 OF 93			

STATUS	GM PART #	MATERIAL #	WIRE DRESS OPTION	KEY OPTION	COLOR (TPA)	NUMBERS INDICATE CAVITIES OPEN FOR CIRCUITS Fp																																																																																													
AVAILABLE	NOT APPLICABLE	34566-7493	0	C	BLUE	<table border="1"> <tr><td></td><td></td><td></td><td>69</td><td></td><td>67</td><td></td><td></td><td>64</td><td></td><td>62</td><td></td><td>60</td><td></td><td></td><td>57</td><td>55</td><td>54</td><td></td></tr> <tr><td>52</td><td>51</td><td>50</td><td></td><td>48</td><td>47</td><td>46</td><td>45</td><td>44</td><td></td><td>42</td><td></td><td></td><td></td><td></td><td>37</td><td>35</td><td>34</td><td>33</td></tr> <tr><td colspan="3">73</td><td></td><td>32</td><td></td><td></td><td></td><td>28</td><td>27</td><td>26</td><td></td><td></td><td></td><td></td><td></td><td>19</td><td>18</td><td>17</td></tr> <tr><td></td><td></td><td></td><td></td><td>16</td><td>15</td><td>14</td><td>13</td><td>12</td><td>11</td><td>10</td><td>9</td><td>8</td><td>7</td><td></td><td></td><td></td><td></td><td></td></tr> </table>				69		67			64		62		60			57	55	54		52	51	50		48	47	46	45	44		42					37	35	34	33	73				32				28	27	26						19	18	17					16	15	14	13	12	11	10	9	8	7																						
			69		67			64		62		60			57	55	54																																																																																		
52	51	50		48	47	46	45	44		42					37	35	34	33																																																																																	
73				32				28	27	26						19	18	17																																																																																	
				16	15	14	13	12	11	10	9	8	7																																																																																						
AVAILABLE	NOT APPLICABLE	34566-7513	9	A	BLACK	<table border="1"> <tr><td>72</td><td>71</td><td>70</td><td>69</td><td>68</td><td></td><td>66</td><td>65</td><td>64</td><td>63</td><td></td><td>61</td><td>60</td><td></td><td></td><td>57</td><td>56</td><td></td><td>54</td><td>53</td></tr> <tr><td>52</td><td>51</td><td>50</td><td>49</td><td>48</td><td></td><td>46</td><td>45</td><td>44</td><td>43</td><td></td><td></td><td>40</td><td>39</td><td>38</td><td>37</td><td>36</td><td></td><td></td><td>34</td><td>33</td></tr> <tr><td colspan="3">73</td><td></td><td>32</td><td>31</td><td>30</td><td>29</td><td>28</td><td></td><td></td><td></td><td></td><td>23</td><td>22</td><td>21</td><td>20</td><td></td><td></td><td></td><td></td></tr> <tr><td></td><td></td><td></td><td></td><td></td><td>15</td><td>14</td><td>13</td><td>12</td><td></td><td></td><td></td><td></td><td>7</td><td>6</td><td>5</td><td>4</td><td></td><td></td><td>2</td><td></td></tr> </table>	72	71	70	69	68		66	65	64	63		61	60			57	56		54	53	52	51	50	49	48		46	45	44	43			40	39	38	37	36			34	33	73				32	31	30	29	28					23	22	21	20										15	14	13	12					7	6	5	4			2											
72	71	70	69	68		66	65	64	63		61	60			57	56		54	53																																																																																
52	51	50	49	48		46	45	44	43			40	39	38	37	36			34	33																																																																															
73				32	31	30	29	28					23	22	21	20																																																																																			
					15	14	13	12					7	6	5	4			2																																																																																
AVAILABLE	NOT APPLICABLE	34566-7523	0	A	BLACK	<table border="1"> <tr><td>72</td><td></td><td></td><td></td><td></td><td></td><td></td><td></td><td>64</td><td></td><td>62</td><td>61</td><td></td><td>59</td><td>58</td><td>57</td><td>56</td><td>55</td><td>54</td><td></td></tr> <tr><td>52</td><td>51</td><td></td><td></td><td>48</td><td>47</td><td>46</td><td>45</td><td>43</td><td></td><td>41</td><td>40</td><td></td><td></td><td></td><td>37</td><td></td><td></td><td></td><td>33</td></tr> <tr><td colspan="3">73</td><td></td><td>32</td><td></td><td>30</td><td>29</td><td>27</td><td>26</td><td>25</td><td>24</td><td></td><td></td><td></td><td></td><td>20</td><td></td><td></td><td></td><td></td></tr> <tr><td></td><td></td><td></td><td></td><td>16</td><td>15</td><td></td><td>13</td><td></td><td>11</td><td>10</td><td>9</td><td></td><td></td><td></td><td></td><td>4</td><td></td><td></td><td></td><td></td></tr> </table>	72								64		62	61		59	58	57	56	55	54		52	51			48	47	46	45	43		41	40				37				33	73				32		30	29	27	26	25	24					20									16	15		13		11	10	9					4															
72								64		62	61		59	58	57	56	55	54																																																																																	
52	51			48	47	46	45	43		41	40				37				33																																																																																
73				32		30	29	27	26	25	24					20																																																																																			
				16	15		13		11	10	9					4																																																																																			
AVAILABLE	NOT APPLICABLE	34566-7533	0	G	BLUE	<table border="1"> <tr><td>80</td><td>79</td><td>78</td><td></td><td></td><td></td><td></td><td></td><td></td><td>71</td><td>70</td><td></td><td></td><td>67</td><td></td><td></td><td></td><td></td><td></td><td></td><td></td></tr> <tr><td>60</td><td>59</td><td>58</td><td>57</td><td></td><td></td><td>54</td><td></td><td></td><td>51</td><td>50</td><td>49</td><td>48</td><td>47</td><td></td><td>45</td><td>44</td><td></td><td>42</td><td>41</td></tr> <tr><td>40</td><td>39</td><td></td><td>37</td><td>36</td><td></td><td>34</td><td>33</td><td>32</td><td></td><td>30</td><td>29</td><td>28</td><td>27</td><td></td><td>25</td><td>24</td><td>23</td><td>22</td><td>21</td></tr> <tr><td>20</td><td>19</td><td>18</td><td></td><td></td><td></td><td></td><td>13</td><td>12</td><td>11</td><td></td><td>9</td><td>8</td><td></td><td></td><td>5</td><td>3</td><td>2</td><td>1</td><td></td></tr> </table>	80	79	78							71	70			67								60	59	58	57			54			51	50	49	48	47		45	44		42	41	40	39		37	36		34	33	32		30	29	28	27		25	24	23	22	21	20	19	18					13	12	11		9	8			5	3	2	1													
80	79	78							71	70			67																																																																																						
60	59	58	57			54			51	50	49	48	47		45	44		42	41																																																																																
40	39		37	36		34	33	32		30	29	28	27		25	24	23	22	21																																																																																
20	19	18					13	12	11		9	8			5	3	2	1																																																																																	
AVAILABLE	NOT APPLICABLE	34566-7543 SAME AS P/N 35466-1553	0	A	BLACK	<table border="1"> <tr><td></td><td></td><td></td><td></td><td></td><td></td><td></td><td></td><td></td><td></td><td></td><td></td><td></td><td></td><td></td><td></td><td></td><td></td><td></td><td></td><td></td></tr> <tr><td colspan="20">73</td></tr> </table>																						73																																																																							
73																																																																																																			
AVAILABLE	NOT APPLICABLE	34566-7553 SAME AS P/N 35466-1983	0	B	ST.GRAY	<table border="1"> <tr><td></td><td></td><td></td><td></td><td></td><td></td><td></td><td></td><td></td><td></td><td></td><td></td><td></td><td></td><td></td><td></td><td></td><td></td><td></td><td></td><td></td></tr> <tr><td colspan="20">73</td></tr> </table>																						73																																																																							
73																																																																																																			
AVAILABLE	NOT APPLICABLE	34566-7563	0	C	BLUE	<table border="1"> <tr><td></td><td></td><td></td><td></td><td></td><td></td><td></td><td></td><td></td><td></td><td></td><td></td><td></td><td></td><td></td><td></td><td></td><td></td><td></td><td></td><td></td></tr> <tr><td colspan="20">73</td></tr> </table>																						73																																																																							
73																																																																																																			
AVAILABLE	NOT APPLICABLE	34566-7573	0	B	ST.GRAY	<table border="1"> <tr><td>72</td><td></td><td>70</td><td></td><td>68</td><td></td><td></td><td></td><td></td><td></td><td>62</td><td>61</td><td></td><td></td><td></td><td></td><td></td><td></td><td>55</td><td></td><td></td></tr> <tr><td>52</td><td></td><td></td><td></td><td>48</td><td>47</td><td>46</td><td></td><td></td><td>43</td><td></td><td></td><td>40</td><td></td><td></td><td></td><td></td><td></td><td>22</td><td>21</td><td>20</td><td>19</td><td>18</td><td>17</td></tr> <tr><td colspan="3">73</td><td></td><td></td><td></td><td>30</td><td></td><td></td><td></td><td></td><td></td><td></td><td></td><td></td><td></td><td></td><td></td><td></td><td></td><td></td><td></td><td></td><td></td></tr> <tr><td></td><td></td><td></td><td></td><td>16</td><td>15</td><td>14</td><td></td><td></td><td></td><td></td><td>8</td><td></td><td>6</td><td></td><td>4</td><td></td><td></td><td></td><td></td><td></td><td></td><td></td><td></td></tr> </table>	72		70		68						62	61							55			52				48	47	46			43			40						22	21	20	19	18	17	73						30																						16	15	14					8		6		4								
72		70		68						62	61							55																																																																																	
52				48	47	46			43			40						22	21	20	19	18	17																																																																												
73						30																																																																																													
				16	15	14					8		6		4																																																																																				
AVAILABLE	NOT APPLICABLE	34566-7583	9	A	BLACK	<table border="1"> <tr><td>72</td><td></td><td>70</td><td></td><td></td><td>67</td><td></td><td></td><td></td><td>63</td><td></td><td></td><td>60</td><td>59</td><td>58</td><td>57</td><td></td><td></td><td></td><td></td><td></td></tr> <tr><td>52</td><td></td><td></td><td></td><td>48</td><td>47</td><td>46</td><td></td><td></td><td>43</td><td>42</td><td></td><td>40</td><td>39</td><td>38</td><td>37</td><td></td><td></td><td></td><td></td><td></td></tr> <tr><td colspan="3">73</td><td></td><td>32</td><td>31</td><td>30</td><td>29</td><td>28</td><td>27</td><td></td><td></td><td></td><td></td><td>22</td><td>21</td><td></td><td></td><td></td><td></td><td></td><td></td><td></td><td></td></tr> <tr><td></td><td></td><td></td><td></td><td>16</td><td>15</td><td>14</td><td>13</td><td>12</td><td>11</td><td></td><td>9</td><td></td><td>7</td><td></td><td></td><td></td><td></td><td></td><td></td><td></td><td>2</td><td>1</td><td></td></tr> </table>	72		70			67				63			60	59	58	57						52				48	47	46			43	42		40	39	38	37						73				32	31	30	29	28	27					22	21													16	15	14	13	12	11		9		7								2	1				
72		70			67				63			60	59	58	57																																																																																				
52				48	47	46			43	42		40	39	38	37																																																																																				
73				32	31	30	29	28	27					22	21																																																																																				
				16	15	14	13	12	11		9		7								2	1																																																																													

<b>QUALITY SYMBOLS</b> = 0 = 0 = 0 = 0 = 0 = 0 = 0 = 0 = 0	THIS DRAWING CONTAINS INFORMATION THAT IS PROPRIETARY TO MOLEX ELECTRONIC TECHNOLOGIES, LLC AND SHOULD NOT BE USED WITHOUT WRITTEN PERMISSION									
	2017/04/12	2017/04/21	GENERAL TOLERANCES (UNLESS SPECIFIED)		DIMENSION UNITS	SCALE				
	G50		ANGULAR TOL ± °		MM	1:1				
	EC NO: 115716		4 PLACES ±		DRWN BY	DATE				
	DRWN: TYE		3 PLACES ±		SKRAJENDRANA	2011/02/14				
	CHKD:		2 PLACES ±		CHKD BY	DATE				
	REV APPR: JDENG02		1 PLACE ±		MVANSLAMBROU	2011/02/14				
			0 PLACES ±		APPR BY	DATE				
			DRAFT WHERE APPLICABLE MUST REMAIN WITHIN DIMENSIONS		DRAWING SIZE	THIRD ANGLE PROJECTION				
					D					
				SERIES	MATERIAL NUMBER	CUSTOMER				
				34566	SEE BOM TABLE	GENERAL MARKET				
				DOCUMENT NUMBER	DOC TYPE	DOC PART	SHEET NUMBER			
				SD-34566-001	PSD	000	82 OF 93			


STATUS	GM PART #	MATERIAL #	WIRE DRESS OPTION	KEY OPTION	COLOR (TPA)	NUMBERS INDICATE CAVITIES OPEN FOR CIRCUITS F <sub>P</sub>																																																																																
AVAILABLE	NOT APPLICABLE	34566-7593	9	A	BLACK	<table border="1"> <tr><td>72</td><td></td><td>70</td><td>69</td><td>68</td><td></td><td></td><td></td><td>64</td><td></td><td>62</td><td>61</td><td></td><td>59</td><td>58</td><td>57</td><td>56</td><td>55</td><td>54</td><td>53</td></tr> <tr><td>52</td><td>51</td><td>50</td><td></td><td>48</td><td>47</td><td>46</td><td>45</td><td></td><td>43</td><td></td><td>41</td><td>40</td><td></td><td></td><td>37</td><td></td><td>35</td><td></td><td>33</td></tr> <tr><td colspan="4">73</td><td>32</td><td>30</td><td>29</td><td></td><td>27</td><td>26</td><td>25</td><td>24</td><td></td><td></td><td></td><td></td><td>20</td><td>19</td><td>18</td><td></td></tr> <tr><td></td><td></td><td></td><td>16</td><td>15</td><td>14</td><td>13</td><td>12</td><td>11</td><td>10</td><td>9</td><td>8</td><td></td><td></td><td></td><td>5</td><td>4</td><td>3</td><td>2</td><td>1</td></tr> </table>	72		70	69	68				64		62	61		59	58	57	56	55	54	53	52	51	50		48	47	46	45		43		41	40			37		35		33	73				32	30	29		27	26	25	24					20	19	18					16	15	14	13	12	11	10	9	8				5	4	3	2	1
72		70	69	68				64		62	61		59	58	57	56	55	54	53																																																																			
52	51	50		48	47	46	45		43		41	40			37		35		33																																																																			
73				32	30	29		27	26	25	24					20	19	18																																																																				
			16	15	14	13	12	11	10	9	8				5	4	3	2	1																																																																			
AVAILABLE	NOT APPLICABLE	34822-0093	9	A	BLACK	<table border="1"> <tr><td>63</td><td>62</td><td>61</td><td>60</td><td>59</td><td></td><td></td><td></td><td></td><td>54</td><td>53</td><td></td><td>51</td><td></td><td>49</td><td></td><td colspan="4">66</td></tr> <tr><td>47</td><td></td><td></td><td></td><td></td><td></td><td></td><td></td><td></td><td>38</td><td>37</td><td></td><td>35</td><td></td><td>33</td><td></td><td></td><td></td><td></td><td></td></tr> <tr><td colspan="4">65</td><td></td><td></td><td></td><td></td><td>28</td><td></td><td>25</td><td></td><td></td><td>22</td><td>21</td><td>20</td><td>19</td><td>18</td><td>17</td><td></td></tr> <tr><td></td><td></td><td></td><td></td><td>15</td><td>14</td><td>13</td><td></td><td></td><td></td><td></td><td>8</td><td>7</td><td></td><td></td><td></td><td>3</td><td>2</td><td>1</td><td></td></tr> </table>	63	62	61	60	59					54	53		51		49		66				47									38	37		35		33						65								28		25			22	21	20	19	18	17						15	14	13					8	7				3	2	1	
63	62	61	60	59					54	53		51		49		66																																																																						
47									38	37		35		33																																																																								
65								28		25			22	21	20	19	18	17																																																																				
				15	14	13					8	7				3	2	1																																																																				
AVAILABLE	NOT APPLICABLE	34822-0103	0	A	BLACK	<table border="1"> <tr><td>63</td><td></td><td></td><td></td><td></td><td></td><td>58</td><td>57</td><td>56</td><td>55</td><td>54</td><td>53</td><td></td><td>51</td><td></td><td>49</td><td></td><td colspan="3">66</td></tr> <tr><td></td><td></td><td></td><td></td><td></td><td></td><td>41</td><td>40</td><td></td><td></td><td>38</td><td>37</td><td></td><td>35</td><td></td><td>33</td><td></td><td></td><td></td><td></td></tr> <tr><td colspan="4">65</td><td></td><td></td><td></td><td></td><td>28</td><td>27</td><td>26</td><td>25</td><td></td><td></td><td>22</td><td></td><td></td><td></td><td>18</td><td>17</td></tr> <tr><td></td><td></td><td></td><td></td><td></td><td>14</td><td></td><td></td><td></td><td></td><td></td><td></td><td></td><td>7</td><td></td><td></td><td>4</td><td>3</td><td>2</td><td>1</td></tr> </table>	63						58	57	56	55	54	53		51		49		66									41	40			38	37		35		33					65								28	27	26	25			22				18	17						14								7			4	3	2	1
63						58	57	56	55	54	53		51		49		66																																																																					
						41	40			38	37		35		33																																																																							
65								28	27	26	25			22				18	17																																																																			
					14								7			4	3	2	1																																																																			
AVAILABLE	NOT APPLICABLE	34822-0113	9	A	BLACK	<table border="1"> <tr><td></td><td></td><td></td><td>61</td><td>60</td><td>59</td><td>58</td><td></td><td>56</td><td>55</td><td></td><td></td><td></td><td>51</td><td></td><td>49</td><td></td><td colspan="3">66</td></tr> <tr><td></td><td></td><td></td><td></td><td></td><td></td><td>42</td><td></td><td></td><td></td><td></td><td></td><td></td><td></td><td></td><td></td><td></td><td></td><td></td><td></td></tr> <tr><td colspan="4">65</td><td></td><td></td><td></td><td></td><td></td><td></td><td></td><td></td><td></td><td></td><td></td><td></td><td></td><td></td><td></td><td>17</td></tr> <tr><td></td><td></td><td></td><td></td><td></td><td></td><td></td><td></td><td></td><td>10</td><td>8</td><td></td><td></td><td></td><td></td><td></td><td></td><td></td><td>2</td><td></td></tr> </table>				61	60	59	58		56	55				51		49		66									42														65																			17										10	8								2	
			61	60	59	58		56	55				51		49		66																																																																					
						42																																																																																
65																			17																																																																			
									10	8								2																																																																				
AVAILABLE	NOT APPLICABLE	34822-0123	9	C	BLUE	<table border="1"> <tr><td>64</td><td>63</td><td>62</td><td>61</td><td>60</td><td></td><td></td><td></td><td></td><td>55</td><td>54</td><td></td><td></td><td></td><td></td><td></td><td></td><td colspan="3">66</td></tr> <tr><td>48</td><td>47</td><td>46</td><td>45</td><td></td><td></td><td></td><td>42</td><td></td><td></td><td>39</td><td></td><td></td><td>36</td><td>35</td><td></td><td></td><td></td><td></td><td></td></tr> <tr><td colspan="4">65</td><td></td><td></td><td></td><td>31</td><td></td><td></td><td>27</td><td></td><td></td><td></td><td></td><td></td><td></td><td></td><td>19</td><td></td></tr> <tr><td></td><td></td><td></td><td></td><td></td><td>16</td><td></td><td></td><td></td><td></td><td>10</td><td></td><td></td><td></td><td>6</td><td></td><td>4</td><td></td><td></td><td>1</td></tr> </table>	64	63	62	61	60					55	54							66			48	47	46	45				42			39			36	35						65							31			27								19							16					10				6		4			1
64	63	62	61	60					55	54							66																																																																					
48	47	46	45				42			39			36	35																																																																								
65							31			27								19																																																																				
					16					10				6		4			1																																																																			
AVAILABLE	NOT APPLICABLE	34566-7613	9	H	ST.GRAY	<table border="1"> <tr><td>80</td><td>79</td><td>78</td><td></td><td></td><td>75</td><td></td><td></td><td></td><td>71</td><td>70</td><td></td><td></td><td></td><td>67</td><td></td><td></td><td></td><td></td><td></td></tr> <tr><td>60</td><td>59</td><td></td><td>57</td><td></td><td></td><td>54</td><td></td><td></td><td>51</td><td>50</td><td>49</td><td>48</td><td>47</td><td></td><td>45</td><td>44</td><td></td><td>42</td><td>41</td></tr> <tr><td>40</td><td>39</td><td></td><td>37</td><td>36</td><td></td><td>34</td><td>33</td><td>32</td><td></td><td>30</td><td>29</td><td>28</td><td>27</td><td></td><td>25</td><td>24</td><td>23</td><td>22</td><td>21</td></tr> <tr><td>20</td><td></td><td>18</td><td></td><td></td><td></td><td></td><td>13</td><td>12</td><td>11</td><td></td><td>9</td><td>8</td><td></td><td></td><td>5</td><td></td><td>3</td><td>2</td><td>1</td></tr> </table>	80	79	78			75				71	70				67						60	59		57			54			51	50	49	48	47		45	44		42	41	40	39		37	36		34	33	32		30	29	28	27		25	24	23	22	21	20		18					13	12	11		9	8			5		3	2	1
80	79	78			75				71	70				67																																																																								
60	59		57			54			51	50	49	48	47		45	44		42	41																																																																			
40	39		37	36		34	33	32		30	29	28	27		25	24	23	22	21																																																																			
20		18					13	12	11		9	8			5		3	2	1																																																																			
AVAILABLE	NOT APPLICABLE	34566-7623	9	G	BLUE	<table border="1"> <tr><td>80</td><td>79</td><td>78</td><td></td><td></td><td>75</td><td></td><td></td><td></td><td>71</td><td>70</td><td></td><td></td><td></td><td>67</td><td></td><td></td><td></td><td></td><td></td></tr> <tr><td>60</td><td>59</td><td>58</td><td>57</td><td></td><td></td><td>54</td><td></td><td></td><td>51</td><td>50</td><td>49</td><td>48</td><td>47</td><td></td><td>45</td><td>44</td><td></td><td>42</td><td>41</td></tr> <tr><td>40</td><td>39</td><td></td><td>37</td><td>36</td><td></td><td>34</td><td>33</td><td>32</td><td></td><td>30</td><td>29</td><td>28</td><td>27</td><td></td><td>25</td><td>24</td><td>23</td><td>22</td><td>21</td></tr> <tr><td>20</td><td>19</td><td>18</td><td></td><td></td><td></td><td></td><td>13</td><td>12</td><td>11</td><td></td><td>9</td><td>8</td><td></td><td></td><td>5</td><td></td><td>3</td><td>2</td><td>1</td></tr> </table>	80	79	78			75				71	70				67						60	59	58	57			54			51	50	49	48	47		45	44		42	41	40	39		37	36		34	33	32		30	29	28	27		25	24	23	22	21	20	19	18					13	12	11		9	8			5		3	2	1
80	79	78			75				71	70				67																																																																								
60	59	58	57			54			51	50	49	48	47		45	44		42	41																																																																			
40	39		37	36		34	33	32		30	29	28	27		25	24	23	22	21																																																																			
20	19	18					13	12	11		9	8			5		3	2	1																																																																			
AVAILABLE	NOT APPLICABLE	34822-0133	0	C	BLUE	<table border="1"> <tr><td>64</td><td>63</td><td>62</td><td>61</td><td>60</td><td></td><td></td><td></td><td></td><td>55</td><td>54</td><td></td><td></td><td></td><td></td><td></td><td></td><td colspan="3">66</td></tr> <tr><td>48</td><td>47</td><td>46</td><td>45</td><td></td><td></td><td></td><td>42</td><td></td><td></td><td>39</td><td></td><td></td><td>36</td><td>35</td><td></td><td></td><td></td><td></td><td></td></tr> <tr><td colspan="4">65</td><td></td><td></td><td></td><td>31</td><td></td><td></td><td>27</td><td></td><td></td><td></td><td></td><td></td><td></td><td></td><td>19</td><td></td></tr> <tr><td></td><td></td><td></td><td></td><td></td><td>16</td><td></td><td></td><td></td><td></td><td>10</td><td></td><td></td><td></td><td>6</td><td></td><td>4</td><td></td><td></td><td>1</td></tr> </table>	64	63	62	61	60					55	54							66			48	47	46	45				42			39			36	35						65							31			27								19							16					10				6		4			1
64	63	62	61	60					55	54							66																																																																					
48	47	46	45				42			39			36	35																																																																								
65							31			27								19																																																																				
					16					10				6		4			1																																																																			
AVAILABLE	NOT APPLICABLE	34566-7633	9	A	BLACK	<table border="1"> <tr><td>72</td><td>71</td><td>70</td><td>69</td><td>68</td><td>67</td><td>66</td><td>65</td><td>64</td><td>63</td><td></td><td></td><td>60</td><td>59</td><td>58</td><td>57</td><td>56</td><td>55</td><td>54</td><td></td></tr> <tr><td>52</td><td>51</td><td>50</td><td>49</td><td>48</td><td>47</td><td>46</td><td>45</td><td>44</td><td>43</td><td>42</td><td>41</td><td>40</td><td>39</td><td>38</td><td>37</td><td>36</td><td>35</td><td>34</td><td></td></tr> <tr><td colspan="4">73</td><td>32</td><td>31</td><td>30</td><td>29</td><td>28</td><td>27</td><td>26</td><td>25</td><td></td><td>23</td><td>22</td><td>21</td><td>20</td><td></td><td>18</td><td>17</td></tr> <tr><td></td><td></td><td></td><td></td><td>16</td><td>15</td><td>14</td><td>13</td><td>12</td><td>11</td><td></td><td>9</td><td>7</td><td>6</td><td>5</td><td>4</td><td></td><td>2</td><td>1</td><td></td></tr> </table>	72	71	70	69	68	67	66	65	64	63			60	59	58	57	56	55	54		52	51	50	49	48	47	46	45	44	43	42	41	40	39	38	37	36	35	34		73				32	31	30	29	28	27	26	25		23	22	21	20		18	17					16	15	14	13	12	11		9	7	6	5	4		2	1	
72	71	70	69	68	67	66	65	64	63			60	59	58	57	56	55	54																																																																				
52	51	50	49	48	47	46	45	44	43	42	41	40	39	38	37	36	35	34																																																																				
73				32	31	30	29	28	27	26	25		23	22	21	20		18	17																																																																			
				16	15	14	13	12	11		9	7	6	5	4		2	1																																																																				

<b>QUALITY SYMBOLS</b> = 0 = 0 = 0 = 0 = 0 = 0 = 0 = 0 = 0	THIS DRAWING CONTAINS INFORMATION THAT IS PROPRIETARY TO MOLEX ELECTRONIC TECHNOLOGIES, LLC AND SHOULD NOT BE USED WITHOUT WRITTEN PERMISSION													
	2017/04/12	2017/04/21	GENERAL TOLERANCES (UNLESS SPECIFIED)		DIMENSION UNITS	SCALE								
	DRWN BY		DATE		MM	1:1								
	SKRAJENDRANA		2011/02/14		DRWN BY						DATE			
	CHKD BY		DATE		ANGULAR TOL ± °						MVANSLAMBROU		2011/02/14	
	APPR BY		DATE		4 PLACES ±						3 PLACES ±		2 PLACES ±	
	DATE		1 PLACE ±		0 PLACES ±						DRAWING SIZE		THIRD ANGLE PROJECTION	
	DATE		DRAFT WHERE APPLICABLE MUST REMAIN WITHIN DIMENSIONS		D									
	DATE		SERIES		MATERIAL NUMBER						CUSTOMER			
	DATE		34566		SEE BOM TABLE						GENERAL MARKET			
DATE		DOCUMENT NUMBER		DOC TYPE		DOC PART					SHEET NUMBER			
DATE		SD-34566-001		PSD		000		83 OF 93						





STATUS	GM PART #	MATERIAL #	WIRE DRESS OPTION	KEY OPTION ▽	COLOR (TPA) ▽	NUMBERS INDICATE CAVITIES OPEN FOR CIRCUITS F <sub>P</sub>																																																																																																
AVAILABLE	NOT APPLICABLE	34566-7733	9	A	BLACK	<table border="1"> <tr><td>72</td><td></td><td></td><td></td><td></td><td></td><td></td><td></td><td></td><td></td><td>64</td><td></td><td>62</td><td>61</td><td></td><td></td><td></td><td>58</td><td>57</td><td>56</td><td>55</td><td>54</td><td>53</td></tr> <tr><td>52</td><td>51</td><td></td><td></td><td>48</td><td></td><td>46</td><td>45</td><td></td><td>43</td><td></td><td>41</td><td>40</td><td></td><td></td><td></td><td></td><td></td><td>37</td><td></td><td></td><td></td><td></td><td></td></tr> <tr><td colspan="2">73</td><td></td><td></td><td>32</td><td></td><td>30</td><td>29</td><td></td><td>27</td><td></td><td>25</td><td></td><td></td><td></td><td></td><td></td><td></td><td></td><td>20</td><td></td><td></td><td></td><td></td></tr> <tr><td colspan="2"></td><td></td><td></td><td>16</td><td>15</td><td></td><td>13</td><td></td><td>11</td><td>10</td><td>9</td><td></td><td></td><td></td><td></td><td></td><td></td><td></td><td>4</td><td>3</td><td></td><td></td><td></td></tr> </table>	72										64		62	61				58	57	56	55	54	53	52	51			48		46	45		43		41	40						37						73				32		30	29		27		25								20									16	15		13		11	10	9								4	3				
72										64		62	61				58	57	56	55	54	53																																																																																
52	51			48		46	45		43		41	40						37																																																																																				
73				32		30	29		27		25								20																																																																																			
				16	15		13		11	10	9								4	3																																																																																		
AVAILABLE	NOT APPLICABLE	34566-7743	0	C	BLUE	<table border="1"> <tr><td>72</td><td></td><td>70</td><td></td><td>68</td><td>67</td><td>66</td><td></td><td></td><td></td><td>63</td><td>62</td><td></td><td></td><td>59</td><td></td><td></td><td>57</td><td></td><td></td><td></td><td></td><td></td><td>53</td></tr> <tr><td>52</td><td>51</td><td></td><td>49</td><td>48</td><td>47</td><td>46</td><td></td><td>44</td><td></td><td></td><td>41</td><td>40</td><td>39</td><td></td><td></td><td></td><td>37</td><td>36</td><td>35</td><td>34</td><td>33</td><td></td><td></td></tr> <tr><td colspan="2">73</td><td></td><td></td><td>32</td><td></td><td>30</td><td></td><td></td><td>27</td><td>26</td><td>25</td><td>24</td><td></td><td></td><td></td><td></td><td>22</td><td>21</td><td>20</td><td></td><td></td><td></td><td></td></tr> <tr><td colspan="2"></td><td></td><td></td><td></td><td>15</td><td>14</td><td>13</td><td></td><td></td><td>10</td><td>9</td><td>8</td><td></td><td></td><td></td><td></td><td>6</td><td>5</td><td>4</td><td></td><td></td><td></td><td>2</td></tr> </table>	72		70		68	67	66				63	62			59			57						53	52	51		49	48	47	46		44			41	40	39				37	36	35	34	33			73				32		30			27	26	25	24					22	21	20										15	14	13			10	9	8					6	5	4				2
72		70		68	67	66				63	62			59			57						53																																																																															
52	51		49	48	47	46		44			41	40	39				37	36	35	34	33																																																																																	
73				32		30			27	26	25	24					22	21	20																																																																																			
					15	14	13			10	9	8					6	5	4				2																																																																															
AVAILABLE	NOT APPLICABLE	34566-7753	0	A	BLACK	<table border="1"> <tr><td></td><td>71</td><td>70</td><td>69</td><td>68</td><td>67</td><td></td><td></td><td></td><td></td><td>64</td><td>63</td><td>62</td><td>61</td><td>60</td><td>59</td><td>58</td><td>57</td><td>56</td><td>55</td><td>54</td><td>53</td><td></td></tr> <tr><td>52</td><td>51</td><td>50</td><td>49</td><td></td><td></td><td></td><td></td><td>45</td><td>44</td><td>43</td><td>42</td><td>41</td><td></td><td></td><td>39</td><td>38</td><td>37</td><td>36</td><td></td><td></td><td>34</td><td></td></tr> <tr><td colspan="2">73</td><td></td><td></td><td>32</td><td>31</td><td></td><td></td><td>29</td><td>28</td><td>27</td><td>26</td><td>25</td><td></td><td></td><td></td><td></td><td></td><td></td><td></td><td>19</td><td>18</td><td></td></tr> <tr><td colspan="2"></td><td></td><td></td><td>16</td><td>15</td><td>14</td><td>13</td><td>12</td><td>11</td><td>10</td><td>9</td><td>8</td><td></td><td></td><td></td><td></td><td></td><td></td><td></td><td></td><td>3</td><td></td><td></td></tr> </table>		71	70	69	68	67					64	63	62	61	60	59	58	57	56	55	54	53		52	51	50	49					45	44	43	42	41			39	38	37	36			34		73				32	31			29	28	27	26	25								19	18						16	15	14	13	12	11	10	9	8									3					
	71	70	69	68	67					64	63	62	61	60	59	58	57	56	55	54	53																																																																																	
52	51	50	49					45	44	43	42	41			39	38	37	36			34																																																																																	
73				32	31			29	28	27	26	25								19	18																																																																																	
				16	15	14	13	12	11	10	9	8									3																																																																																	
AVAILABLE	NOT APPLICABLE	34566-7763	0	F	NATURAL	<table border="1"> <tr><td></td><td></td><td></td><td></td><td></td><td></td><td></td><td></td><td></td><td></td><td></td><td></td><td></td><td></td><td></td><td></td><td></td><td></td><td></td><td></td><td></td><td></td><td></td><td></td></tr> <tr><td colspan="2">73</td><td></td><td></td><td></td><td></td><td></td><td></td><td></td><td></td><td></td><td></td><td></td><td></td><td></td><td></td><td></td><td></td><td></td><td></td><td></td><td></td><td></td><td></td></tr> </table>																									73																																																																							
73																																																																																																						
AVAILABLE	NOT APPLICABLE	34566-7773	0	B	ST.GRAY	<table border="1"> <tr><td>72</td><td></td><td>70</td><td></td><td></td><td>67</td><td></td><td></td><td></td><td></td><td>63</td><td>62</td><td>61</td><td>60</td><td>59</td><td></td><td></td><td></td><td></td><td></td><td></td><td></td><td></td><td></td></tr> <tr><td>52</td><td></td><td></td><td></td><td></td><td></td><td>46</td><td></td><td></td><td></td><td>43</td><td></td><td>41</td><td>40</td><td></td><td></td><td></td><td></td><td></td><td></td><td></td><td></td><td></td><td></td></tr> <tr><td colspan="2">73</td><td></td><td></td><td></td><td></td><td></td><td></td><td></td><td>27</td><td></td><td></td><td></td><td></td><td></td><td></td><td></td><td>22</td><td>21</td><td>20</td><td>19</td><td>18</td><td></td><td></td></tr> <tr><td colspan="2"></td><td></td><td></td><td>16</td><td></td><td>14</td><td></td><td></td><td>11</td><td></td><td></td><td></td><td></td><td></td><td></td><td>6</td><td></td><td>4</td><td></td><td></td><td></td><td></td><td></td></tr> </table>	72		70			67					63	62	61	60	59										52						46				43		41	40											73									27								22	21	20	19	18							16		14			11							6		4					
72		70			67					63	62	61	60	59																																																																																								
52						46				43		41	40																																																																																									
73									27								22	21	20	19	18																																																																																	
				16		14			11							6		4																																																																																				
AVAILABLE	TBD	34822-0153	9	A	BLACK	<table border="1"> <tr><td></td><td>63</td><td>62</td><td>61</td><td>60</td><td>59</td><td></td><td></td><td></td><td></td><td></td><td>54</td><td>53</td><td></td><td>51</td><td></td><td>49</td><td></td><td></td><td></td><td></td><td></td><td>66</td></tr> <tr><td></td><td>47</td><td></td><td></td><td></td><td></td><td></td><td></td><td></td><td></td><td></td><td>38</td><td>37</td><td></td><td>35</td><td></td><td>33</td><td></td><td></td><td></td><td></td><td></td><td></td></tr> <tr><td colspan="2">65</td><td></td><td></td><td></td><td></td><td></td><td></td><td>28</td><td></td><td></td><td>25</td><td></td><td></td><td></td><td></td><td>22</td><td>21</td><td>20</td><td>19</td><td>18</td><td>17</td><td></td></tr> <tr><td colspan="2"></td><td></td><td></td><td></td><td>15</td><td>14</td><td>13</td><td></td><td></td><td></td><td></td><td>8</td><td>7</td><td></td><td></td><td></td><td></td><td></td><td>3</td><td>2</td><td>1</td><td></td></tr> </table>		63	62	61	60	59						54	53		51		49						66		47										38	37		35		33							65								28			25					22	21	20	19	18	17							15	14	13					8	7						3	2	1					
	63	62	61	60	59						54	53		51		49						66																																																																																
	47										38	37		35		33																																																																																						
65								28			25					22	21	20	19	18	17																																																																																	
					15	14	13					8	7						3	2	1																																																																																	
AVAILABLE	NOT APPLICABLE	34566-7783	0	A	BLACK	<table border="1"> <tr><td>72</td><td>71</td><td>70</td><td>69</td><td>68</td><td></td><td>66</td><td>65</td><td>64</td><td>63</td><td></td><td></td><td>60</td><td></td><td></td><td></td><td>57</td><td>56</td><td></td><td></td><td>54</td><td></td><td></td></tr> <tr><td>52</td><td>51</td><td>50</td><td>49</td><td>48</td><td></td><td>46</td><td>45</td><td>44</td><td>43</td><td>42</td><td>41</td><td>40</td><td>39</td><td>38</td><td>37</td><td>36</td><td></td><td></td><td></td><td></td><td>34</td><td></td></tr> <tr><td colspan="2">73</td><td></td><td></td><td>32</td><td>31</td><td>30</td><td>29</td><td>28</td><td></td><td>26</td><td>25</td><td></td><td></td><td>23</td><td>22</td><td>21</td><td></td><td></td><td></td><td></td><td></td><td></td></tr> <tr><td colspan="2"></td><td></td><td></td><td></td><td>15</td><td>14</td><td>13</td><td>12</td><td></td><td></td><td>9</td><td></td><td>7</td><td>6</td><td>5</td><td></td><td></td><td></td><td></td><td></td><td>2</td><td>1</td></tr> </table>	72	71	70	69	68		66	65	64	63			60				57	56			54			52	51	50	49	48		46	45	44	43	42	41	40	39	38	37	36					34		73				32	31	30	29	28		26	25			23	22	21												15	14	13	12			9		7	6	5						2	1				
72	71	70	69	68		66	65	64	63			60				57	56			54																																																																																		
52	51	50	49	48		46	45	44	43	42	41	40	39	38	37	36					34																																																																																	
73				32	31	30	29	28		26	25			23	22	21																																																																																						
					15	14	13	12			9		7	6	5						2	1																																																																																
AVAILABLE	NOT APPLICABLE	34566-7793	0	A	BLACK	<table border="1"> <tr><td>72</td><td></td><td>70</td><td></td><td></td><td>67</td><td>66</td><td>65</td><td></td><td></td><td>63</td><td></td><td></td><td>60</td><td>59</td><td>58</td><td>57</td><td>56</td><td>55</td><td></td><td></td><td></td><td></td></tr> <tr><td>52</td><td>51</td><td></td><td>49</td><td>48</td><td>47</td><td>46</td><td>45</td><td></td><td></td><td>43</td><td>42</td><td></td><td>40</td><td>39</td><td>38</td><td>37</td><td>36</td><td>35</td><td></td><td></td><td></td><td></td></tr> <tr><td colspan="2">73</td><td></td><td></td><td></td><td></td><td></td><td></td><td>28</td><td>27</td><td></td><td></td><td></td><td>23</td><td>22</td><td>21</td><td></td><td></td><td></td><td></td><td></td><td>18</td><td>17</td></tr> <tr><td colspan="2"></td><td></td><td></td><td></td><td></td><td></td><td></td><td>12</td><td>11</td><td></td><td>9</td><td></td><td></td><td></td><td></td><td></td><td></td><td></td><td></td><td></td><td>2</td><td>1</td></tr> </table>	72		70			67	66	65			63			60	59	58	57	56	55					52	51		49	48	47	46	45			43	42		40	39	38	37	36	35					73								28	27				23	22	21						18	17									12	11		9										2	1				
72		70			67	66	65			63			60	59	58	57	56	55																																																																																				
52	51		49	48	47	46	45			43	42		40	39	38	37	36	35																																																																																				
73								28	27				23	22	21						18	17																																																																																
								12	11		9										2	1																																																																																
AVAILABLE	NOT APPLICABLE	34566-7813	0	A	BLACK	<table border="1"> <tr><td></td><td></td><td>70</td><td>69</td><td>68</td><td>67</td><td></td><td></td><td></td><td></td><td>63</td><td>62</td><td>61</td><td>60</td><td>59</td><td>58</td><td>57</td><td>56</td><td>55</td><td>54</td><td>53</td><td></td><td></td></tr> <tr><td>52</td><td>51</td><td>50</td><td>49</td><td></td><td></td><td></td><td></td><td></td><td>44</td><td>43</td><td>42</td><td>41</td><td>40</td><td>39</td><td>38</td><td>37</td><td>36</td><td></td><td></td><td></td><td>34</td><td></td></tr> <tr><td colspan="2">73</td><td></td><td></td><td>32</td><td></td><td></td><td></td><td>29</td><td>28</td><td>27</td><td>26</td><td>25</td><td></td><td></td><td></td><td></td><td></td><td></td><td>21</td><td></td><td>19</td><td>18</td></tr> <tr><td colspan="2"></td><td></td><td></td><td>16</td><td>15</td><td>14</td><td>13</td><td>12</td><td>11</td><td>10</td><td>9</td><td>8</td><td></td><td></td><td></td><td></td><td></td><td></td><td></td><td></td><td>5</td><td>3</td></tr> </table>			70	69	68	67					63	62	61	60	59	58	57	56	55	54	53			52	51	50	49						44	43	42	41	40	39	38	37	36				34		73				32				29	28	27	26	25							21		19	18					16	15	14	13	12	11	10	9	8									5	3				
		70	69	68	67					63	62	61	60	59	58	57	56	55	54	53																																																																																		
52	51	50	49						44	43	42	41	40	39	38	37	36				34																																																																																	
73				32				29	28	27	26	25							21		19	18																																																																																
				16	15	14	13	12	11	10	9	8									5	3																																																																																

<b>QUALITY SYMBOLS</b> ▽ = 0 ▽ = 0 ▽ = 0 ▽ = 0 ▽ = 0 ▽ = 0 ▽ = 0 ▽ = 0 ▽ = 0	THIS DRAWING CONTAINS INFORMATION THAT IS PROPRIETARY TO MOLEX ELECTRONIC TECHNOLOGIES, LLC AND SHOULD NOT BE USED WITHOUT WRITTEN PERMISSION		GENERAL TOLERANCES (UNLESS SPECIFIED)		DIMENSION UNITS <b>MM</b>	SCALE <b>1:1</b>	
	2017/04/12 2017/04/21	DRWN BY: TYE CHKD: JDENG02	ANGULAR TOL ± °	DRWN BY: SKRAJENDRANA DATE: 2011/02/14	DATE: 2011/02/14	DATE: 2011/02/14	
EC NO: 115716 DRWN: TYE CHKD: JDENG02 REV: APPR: JDENG02		4 PLACES ± 3 PLACES ± 2 PLACES ± 1 PLACE ± 0 PLACES ±	DRAFT WHERE APPLICABLE MUST REMAIN WITHIN DIMENSIONS	DRAWING SIZE: <b>D</b>	THIRD ANGLE PROJECTION	DOCUMENT NUMBER: SD-34566-001 DOC TYPE: PSD DOC PART: 000 SHEET NUMBER: 85 OF 93	<b>PRODUCT CUSTOMER DRAWING</b>

STATUS	GM PART #	MATERIAL #	WIRE DRESS OPTION	KEY OPTION	COLOR (TPA)	NUMBERS INDICATE CAVITIES OPEN FOR CIRCUITS F <sub>P</sub>																																																																																				
AVAILABLE	NOT APPLICABLE	34566-7823	0	B	ST.GRAY	<table border="1"> <tr><td>72</td><td></td><td></td><td></td><td>68</td><td>67</td><td></td><td></td><td></td><td>63</td><td>62</td><td>61</td><td>60</td><td>59</td><td></td><td></td><td></td><td></td><td></td><td></td><td></td></tr> <tr><td>52</td><td></td><td></td><td></td><td>48</td><td>47</td><td>46</td><td></td><td>44</td><td>43</td><td></td><td>41</td><td>40</td><td></td><td>38</td><td>37</td><td>36</td><td>35</td><td></td><td></td><td></td></tr> <tr><td colspan="4">73</td><td></td><td>30</td><td></td><td></td><td>27</td><td></td><td></td><td></td><td></td><td></td><td></td><td>20</td><td>19</td><td>18</td><td></td><td></td><td></td></tr> <tr><td colspan="4">73</td><td>16</td><td>14</td><td></td><td></td><td>11</td><td></td><td></td><td>8</td><td></td><td></td><td></td><td>4</td><td></td><td></td><td></td><td></td><td>1</td></tr> </table>	72				68	67				63	62	61	60	59								52				48	47	46		44	43		41	40		38	37	36	35				73					30			27							20	19	18				73				16	14			11			8				4					1
72				68	67				63	62	61	60	59																																																																													
52				48	47	46		44	43		41	40		38	37	36	35																																																																									
73					30			27							20	19	18																																																																									
73				16	14			11			8				4					1																																																																						
AVAILABLE	NOT APPLICABLE	34566-7833	0	B	ST.GRAY	<table border="1"> <tr><td>72</td><td>71</td><td>70</td><td>69</td><td>68</td><td>67</td><td>66</td><td>65</td><td>64</td><td>63</td><td></td><td>61</td><td>60</td><td>59</td><td></td><td>57</td><td>56</td><td>55</td><td></td><td></td></tr> <tr><td>52</td><td>51</td><td>50</td><td>49</td><td>48</td><td>47</td><td>46</td><td>45</td><td>44</td><td>43</td><td></td><td>41</td><td>40</td><td>39</td><td>38</td><td>37</td><td>36</td><td>35</td><td>34</td><td>33</td></tr> <tr><td colspan="4">73</td><td></td><td>32</td><td>31</td><td>30</td><td>29</td><td>28</td><td></td><td>26</td><td>25</td><td>24</td><td>23</td><td>22</td><td>21</td><td>20</td><td>19</td><td>18</td><td>17</td></tr> <tr><td colspan="4">73</td><td>16</td><td>15</td><td>14</td><td>13</td><td>12</td><td></td><td></td><td></td><td>8</td><td>7</td><td>6</td><td>5</td><td>4</td><td>3</td><td>2</td><td>1</td><td></td></tr> </table>	72	71	70	69	68	67	66	65	64	63		61	60	59		57	56	55			52	51	50	49	48	47	46	45	44	43		41	40	39	38	37	36	35	34	33	73					32	31	30	29	28		26	25	24	23	22	21	20	19	18	17	73				16	15	14	13	12				8	7	6	5	4	3	2	1			
72	71	70	69	68	67	66	65	64	63		61	60	59		57	56	55																																																																									
52	51	50	49	48	47	46	45	44	43		41	40	39	38	37	36	35	34	33																																																																							
73					32	31	30	29	28		26	25	24	23	22	21	20	19	18	17																																																																						
73				16	15	14	13	12				8	7	6	5	4	3	2	1																																																																							
AVAILABLE	NOT APPLICABLE	34566-7843	9	C	BLUE	<table border="1"> <tr><td></td><td>71</td><td></td><td></td><td></td><td>67</td><td></td><td>65</td><td>64</td><td></td><td>62</td><td>61</td><td>60</td><td></td><td>58</td><td>57</td><td></td><td></td><td></td><td>54</td></tr> <tr><td>52</td><td>51</td><td>50</td><td>49</td><td>48</td><td>47</td><td></td><td>45</td><td>44</td><td></td><td>42</td><td>41</td><td></td><td></td><td>38</td><td>37</td><td></td><td></td><td></td><td>34</td></tr> <tr><td colspan="4">73</td><td></td><td></td><td></td><td></td><td>28</td><td>27</td><td>26</td><td>25</td><td></td><td></td><td></td><td></td><td></td><td></td><td></td><td></td><td>18</td></tr> <tr><td colspan="4">73</td><td>16</td><td>15</td><td>14</td><td>13</td><td>12</td><td>11</td><td>10</td><td>9</td><td></td><td></td><td></td><td></td><td></td><td></td><td></td><td></td><td></td></tr> </table>		71				67		65	64		62	61	60		58	57				54	52	51	50	49	48	47		45	44		42	41			38	37				34	73								28	27	26	25									18	73				16	15	14	13	12	11	10	9											
	71				67		65	64		62	61	60		58	57				54																																																																							
52	51	50	49	48	47		45	44		42	41			38	37				34																																																																							
73								28	27	26	25									18																																																																						
73				16	15	14	13	12	11	10	9																																																																															
AVAILABLE	NOT APPLICABLE	34566-7853	9	C	BLUE	<table border="1"> <tr><td>72</td><td>71</td><td>70</td><td>69</td><td></td><td>67</td><td>66</td><td></td><td>64</td><td></td><td></td><td></td><td></td><td></td><td></td><td></td><td></td><td></td><td></td><td>54</td></tr> <tr><td>52</td><td>51</td><td>50</td><td>49</td><td></td><td>47</td><td>46</td><td></td><td>44</td><td></td><td></td><td></td><td></td><td>39</td><td>38</td><td></td><td></td><td></td><td></td><td></td></tr> <tr><td colspan="4">73</td><td></td><td></td><td>30</td><td>29</td><td>28</td><td>27</td><td>26</td><td>25</td><td>24</td><td>23</td><td>22</td><td>21</td><td></td><td></td><td></td><td></td><td>17</td></tr> <tr><td colspan="4">73</td><td>16</td><td>15</td><td>14</td><td>13</td><td>12</td><td>11</td><td>10</td><td>9</td><td>8</td><td>7</td><td>6</td><td>5</td><td></td><td></td><td></td><td></td><td></td></tr> </table>	72	71	70	69		67	66		64											54	52	51	50	49		47	46		44					39	38						73						30	29	28	27	26	25	24	23	22	21					17	73				16	15	14	13	12	11	10	9	8	7	6	5							
72	71	70	69		67	66		64											54																																																																							
52	51	50	49		47	46		44					39	38																																																																												
73						30	29	28	27	26	25	24	23	22	21					17																																																																						
73				16	15	14	13	12	11	10	9	8	7	6	5																																																																											
AVAILABLE	NOT APPLICABLE	34566-7863	9	C	BLUE	<table border="1"> <tr><td>72</td><td></td><td>70</td><td></td><td>68</td><td>67</td><td>66</td><td></td><td></td><td>63</td><td>62</td><td></td><td></td><td>59</td><td></td><td>57</td><td></td><td></td><td></td><td>53</td></tr> <tr><td>52</td><td>51</td><td></td><td></td><td>48</td><td>47</td><td>46</td><td></td><td>44</td><td></td><td></td><td></td><td></td><td>40</td><td>39</td><td></td><td>37</td><td>36</td><td>35</td><td>34</td></tr> <tr><td colspan="4">73</td><td></td><td>32</td><td>30</td><td></td><td></td><td>27</td><td>26</td><td>25</td><td>24</td><td></td><td></td><td>22</td><td>21</td><td></td><td></td><td></td><td>33</td></tr> <tr><td colspan="4">73</td><td></td><td>15</td><td>14</td><td></td><td></td><td></td><td>10</td><td>9</td><td>8</td><td></td><td></td><td>6</td><td>5</td><td>4</td><td></td><td></td><td>2</td></tr> </table>	72		70		68	67	66			63	62			59		57				53	52	51			48	47	46		44					40	39		37	36	35	34	73					32	30			27	26	25	24			22	21				33	73					15	14				10	9	8			6	5	4			2		
72		70		68	67	66			63	62			59		57				53																																																																							
52	51			48	47	46		44					40	39		37	36	35	34																																																																							
73					32	30			27	26	25	24			22	21				33																																																																						
73					15	14				10	9	8			6	5	4			2																																																																						
AVAILABLE	NOT APPLICABLE	34566-7873	9	A	BLACK	<table border="1"> <tr><td></td><td>71</td><td></td><td>69</td><td></td><td></td><td></td><td>65</td><td>64</td><td></td><td></td><td>61</td><td>60</td><td></td><td>58</td><td></td><td>56</td><td>55</td><td>54</td><td></td></tr> <tr><td></td><td></td><td>50</td><td></td><td></td><td></td><td></td><td>45</td><td>43</td><td>42</td><td></td><td></td><td></td><td></td><td>38</td><td></td><td></td><td>35</td><td></td><td></td></tr> <tr><td colspan="4">73</td><td></td><td></td><td>31</td><td></td><td>29</td><td>28</td><td></td><td></td><td></td><td></td><td>23</td><td></td><td></td><td></td><td>19</td><td>18</td><td>17</td></tr> <tr><td colspan="4">73</td><td>16</td><td></td><td></td><td></td><td>12</td><td>11</td><td></td><td></td><td></td><td></td><td></td><td></td><td></td><td></td><td></td><td>3</td><td>1</td></tr> </table>		71		69				65	64			61	60		58		56	55	54				50					45	43	42					38			35			73						31		29	28					23				19	18	17	73				16				12	11										3	1		
	71		69				65	64			61	60		58		56	55	54																																																																								
		50					45	43	42					38			35																																																																									
73						31		29	28					23				19	18	17																																																																						
73				16				12	11										3	1																																																																						
AVAILABLE	NOT APPLICABLE	34566-7883	9	A	BLACK	<table border="1"> <tr><td>72</td><td></td><td></td><td></td><td>68</td><td>67</td><td>66</td><td>65</td><td></td><td></td><td></td><td></td><td></td><td></td><td></td><td></td><td></td><td></td><td></td><td></td></tr> <tr><td></td><td></td><td></td><td></td><td>48</td><td>47</td><td></td><td></td><td></td><td></td><td></td><td></td><td>40</td><td></td><td>38</td><td></td><td></td><td></td><td>35</td><td>33</td></tr> <tr><td colspan="4">73</td><td></td><td></td><td>31</td><td>30</td><td></td><td></td><td></td><td></td><td>25</td><td>24</td><td>23</td><td>22</td><td>21</td><td>20</td><td>19</td><td>17</td></tr> <tr><td colspan="4">73</td><td></td><td></td><td></td><td></td><td></td><td></td><td></td><td>9</td><td>8</td><td>7</td><td>6</td><td>5</td><td>4</td><td></td><td></td><td>2</td><td>1</td></tr> </table>	72				68	67	66	65																	48	47							40		38				35	33	73						31	30					25	24	23	22	21	20	19	17	73											9	8	7	6	5	4			2	1			
72				68	67	66	65																																																																																			
				48	47							40		38				35	33																																																																							
73						31	30					25	24	23	22	21	20	19	17																																																																							
73											9	8	7	6	5	4			2	1																																																																						
AVAILABLE	NOT APPLICABLE	34566-7893	9	A	BLACK	<table border="1"> <tr><td>72</td><td>71</td><td>70</td><td>69</td><td>68</td><td></td><td>66</td><td>65</td><td>64</td><td>63</td><td></td><td>61</td><td>60</td><td></td><td></td><td>57</td><td>56</td><td></td><td>54</td><td>53</td></tr> <tr><td>52</td><td>51</td><td>50</td><td>49</td><td>48</td><td></td><td>46</td><td>45</td><td>44</td><td>43</td><td>42</td><td></td><td>40</td><td>39</td><td>38</td><td>37</td><td>36</td><td></td><td>34</td><td>33</td></tr> <tr><td colspan="4">73</td><td></td><td>32</td><td>31</td><td>30</td><td>29</td><td>28</td><td></td><td></td><td></td><td>23</td><td>22</td><td>21</td><td>20</td><td></td><td></td><td></td><td></td></tr> <tr><td colspan="4">73</td><td></td><td>15</td><td>14</td><td>13</td><td>12</td><td></td><td></td><td></td><td></td><td>7</td><td>6</td><td>5</td><td>4</td><td></td><td></td><td></td><td>2</td></tr> </table>	72	71	70	69	68		66	65	64	63		61	60			57	56		54	53	52	51	50	49	48		46	45	44	43	42		40	39	38	37	36		34	33	73					32	31	30	29	28				23	22	21	20					73					15	14	13	12					7	6	5	4				2		
72	71	70	69	68		66	65	64	63		61	60			57	56		54	53																																																																							
52	51	50	49	48		46	45	44	43	42		40	39	38	37	36		34	33																																																																							
73					32	31	30	29	28				23	22	21	20																																																																										
73					15	14	13	12					7	6	5	4				2																																																																						
AVAILABLE	TBD	34822-0163	0	A	BLACK	<table border="1"> <tr><td>64</td><td>63</td><td></td><td></td><td></td><td></td><td></td><td></td><td></td><td></td><td>54</td><td>53</td><td></td><td>51</td><td></td><td>49</td><td></td><td></td><td></td><td>66</td></tr> <tr><td></td><td></td><td></td><td></td><td></td><td></td><td></td><td></td><td></td><td></td><td>38</td><td>37</td><td></td><td>35</td><td></td><td>33</td><td></td><td></td><td></td><td></td></tr> <tr><td colspan="4">65</td><td></td><td></td><td></td><td></td><td>28</td><td></td><td></td><td></td><td></td><td>23</td><td>21</td><td>20</td><td>19</td><td>18</td><td>17</td><td></td><td></td></tr> <tr><td colspan="4">65</td><td></td><td>15</td><td>14</td><td>13</td><td></td><td></td><td></td><td></td><td>8</td><td>7</td><td></td><td></td><td>4</td><td>3</td><td>2</td><td>1</td><td></td></tr> </table>	64	63									54	53		51		49				66											38	37		35		33					65								28					23	21	20	19	18	17			65					15	14	13					8	7			4	3	2	1			
64	63									54	53		51		49				66																																																																							
										38	37		35		33																																																																											
65								28					23	21	20	19	18	17																																																																								
65					15	14	13					8	7			4	3	2	1																																																																							

<b>QUALITY SYMBOLS</b> = 0 = 0 = 0 = 0 = 0 = 0 = 0 = 0 = 0	THIS DRAWING CONTAINS INFORMATION THAT IS PROPRIETARY TO MOLEX ELECTRONIC TECHNOLOGIES, LLC AND SHOULD NOT BE USED WITHOUT WRITTEN PERMISSION										
	EC NO: 115716	DRWN: TYE	CHKD: JDENG02	REV: APPR: JDENG02	2017/04/21	2017/04/21	GENERAL TOLERANCES (UNLESS SPECIFIED)		DIMENSION UNITS	SCALE	  <b>MX123</b> <b>66/73/80CKT HRNS CONN ASSY</b>  <b>PRODUCT CUSTOMER DRAWING</b>  SERIES: 34566    MATERIAL NUMBER: SEE BOM TABLE    CUSTOMER: GENERAL MARKET DOCUMENT NUMBER: SD-34566-001    DOC TYPE: PSD    DOC PART: 000    SHEET NUMBER: 86 OF 93
	ANGULAR TOL ± °						MM	1:1	DRWN BY	DATE	
	4 PLACES ±						SKRAJENDRANA		2011/02/14		
	3 PLACES ±						CHKD BY		DATE		
	2 PLACES ±						MVANSLAMBROU		2011/02/14		
	1 PLACE ±						APPR BY		DATE		
	0 PLACES ±						DRAWING SIZE		THIRD ANGLE PROJECTION		
	DRAFT WHERE APPLICABLE MUST REMAIN WITHIN DIMENSIONS						D				

STATUS	GM PART #	MATERIAL #	WIRE DRESS OPTION	KEY OPTION	COLOR (TPA)	NUMBERS INDICATE CAVITIES OPEN FOR CIRCUITS F <sub>p</sub>																																																																																																																																	
AVAILABLE	NOT APPLICABLE	34566-7913	9	G	BLUE	<table border="1"> <tr><td>80</td><td>79</td><td>78</td><td></td><td></td><td>75</td><td></td><td></td><td></td><td>71</td><td>70</td><td></td><td></td><td>67</td><td></td><td></td><td></td><td></td><td>61</td></tr> <tr><td>60</td><td>59</td><td>58</td><td>57</td><td></td><td></td><td>54</td><td></td><td></td><td>51</td><td>50</td><td>49</td><td>48</td><td>47</td><td></td><td>45</td><td>44</td><td></td><td>42</td><td>41</td></tr> <tr><td>40</td><td>39</td><td></td><td>37</td><td>36</td><td></td><td>34</td><td>33</td><td>32</td><td></td><td>30</td><td>29</td><td>28</td><td>27</td><td></td><td>25</td><td>24</td><td>23</td><td>22</td><td>21</td></tr> <tr><td>20</td><td>19</td><td>18</td><td></td><td></td><td></td><td></td><td></td><td>13</td><td>12</td><td>11</td><td></td><td>9</td><td>8</td><td></td><td>5</td><td></td><td>3</td><td>2</td><td>1</td></tr> </table>	80	79	78			75				71	70			67					61	60	59	58	57			54			51	50	49	48	47		45	44		42	41	40	39		37	36		34	33	32		30	29	28	27		25	24	23	22	21	20	19	18						13	12	11		9	8		5		3	2	1																																																		
80	79	78			75				71	70			67					61																																																																																																																					
60	59	58	57			54			51	50	49	48	47		45	44		42	41																																																																																																																				
40	39		37	36		34	33	32		30	29	28	27		25	24	23	22	21																																																																																																																				
20	19	18						13	12	11		9	8		5		3	2	1																																																																																																																				
AVAILABLE	NOT APPLICABLE	34566-7923	0	C	BLUE	<table border="1"> <tr><td></td><td>71</td><td>70</td><td></td><td></td><td>67</td><td></td><td></td><td>64</td><td></td><td>61</td><td>60</td><td></td><td></td><td>57</td><td></td><td></td><td></td><td>54</td></tr> <tr><td>52</td><td>51</td><td>50</td><td>49</td><td>48</td><td>47</td><td></td><td></td><td>45</td><td>44</td><td></td><td>41</td><td></td><td></td><td>37</td><td></td><td></td><td></td><td>34</td><td>33</td></tr> <tr><td></td><td></td><td></td><td></td><td></td><td></td><td>32</td><td></td><td></td><td>28</td><td>27</td><td></td><td>25</td><td></td><td></td><td></td><td></td><td></td><td>18</td><td>17</td></tr> <tr><td></td><td></td><td></td><td></td><td></td><td></td><td>73</td><td></td><td></td><td></td><td></td><td></td><td></td><td></td><td></td><td></td><td></td><td></td><td></td><td></td></tr> <tr><td></td><td></td><td></td><td></td><td></td><td></td><td></td><td>16</td><td>15</td><td>14</td><td>13</td><td>12</td><td>11</td><td>10</td><td>9</td><td>8</td><td>7</td><td></td><td></td><td></td></tr> </table>		71	70			67			64		61	60			57				54	52	51	50	49	48	47			45	44		41			37				34	33							32			28	27		25						18	17							73																					16	15	14	13	12	11	10	9	8	7																																	
	71	70			67			64		61	60			57				54																																																																																																																					
52	51	50	49	48	47			45	44		41			37				34	33																																																																																																																				
						32			28	27		25						18	17																																																																																																																				
						73																																																																																																																																	
							16	15	14	13	12	11	10	9	8	7																																																																																																																							
AVAILABLE	NOT APPLICABLE	34566-7933	0	A	BLACK	<table border="1"> <tr><td>72</td><td>71</td><td>70</td><td>69</td><td>68</td><td></td><td>66</td><td>65</td><td>64</td><td>63</td><td></td><td>61</td><td>60</td><td></td><td></td><td>57</td><td>56</td><td></td><td>54</td><td>53</td></tr> <tr><td>52</td><td>51</td><td>50</td><td>49</td><td>48</td><td></td><td>46</td><td>45</td><td>44</td><td>43</td><td></td><td>40</td><td>39</td><td>38</td><td>37</td><td>36</td><td></td><td></td><td>34</td><td>33</td></tr> <tr><td></td><td></td><td></td><td></td><td></td><td></td><td>32</td><td>31</td><td>30</td><td>29</td><td>28</td><td></td><td></td><td></td><td></td><td>23</td><td>22</td><td>21</td><td>20</td><td></td></tr> <tr><td></td><td></td><td></td><td></td><td></td><td></td><td>73</td><td></td><td></td><td></td><td></td><td></td><td></td><td></td><td></td><td>7</td><td>6</td><td>5</td><td>4</td><td>2</td></tr> <tr><td></td><td></td><td></td><td></td><td></td><td></td><td></td><td></td><td></td><td></td><td></td><td></td><td></td><td></td><td></td><td></td><td></td><td></td><td></td><td></td></tr> </table>	72	71	70	69	68		66	65	64	63		61	60			57	56		54	53	52	51	50	49	48		46	45	44	43		40	39	38	37	36			34	33							32	31	30	29	28					23	22	21	20								73									7	6	5	4	2																																																	
72	71	70	69	68		66	65	64	63		61	60			57	56		54	53																																																																																																																				
52	51	50	49	48		46	45	44	43		40	39	38	37	36			34	33																																																																																																																				
						32	31	30	29	28					23	22	21	20																																																																																																																					
						73									7	6	5	4	2																																																																																																																				
AVAILABLE	NOT APPLICABLE	34566-7943	0	B	ST.GRAY	<table border="1"> <tr><td>72</td><td></td><td></td><td></td><td></td><td></td><td></td><td></td><td></td><td></td><td></td><td>62</td><td>61</td><td>60</td><td>59</td><td></td><td></td><td></td><td>55</td><td></td></tr> <tr><td>52</td><td></td><td></td><td></td><td>48</td><td>47</td><td>46</td><td></td><td></td><td>43</td><td></td><td>41</td><td>40</td><td></td><td></td><td>38</td><td>37</td><td>36</td><td>35</td><td></td></tr> <tr><td></td><td></td><td></td><td></td><td></td><td></td><td></td><td></td><td></td><td></td><td></td><td></td><td></td><td></td><td></td><td>22</td><td>21</td><td>20</td><td>19</td><td>18</td><td>17</td></tr> <tr><td></td><td></td><td></td><td></td><td></td><td></td><td></td><td></td><td></td><td></td><td></td><td></td><td></td><td></td><td></td><td>73</td><td></td><td></td><td></td><td></td><td></td></tr> <tr><td></td><td></td><td></td><td></td><td></td><td></td><td></td><td></td><td></td><td></td><td></td><td></td><td></td><td></td><td></td><td>6</td><td>4</td><td></td><td></td><td></td><td>1</td></tr> </table>	72											62	61	60	59				55		52				48	47	46			43		41	40			38	37	36	35																	22	21	20	19	18	17																73																					6	4				1																										
72											62	61	60	59				55																																																																																																																					
52				48	47	46			43		41	40			38	37	36	35																																																																																																																					
															22	21	20	19	18	17																																																																																																																			
															73																																																																																																																								
															6	4				1																																																																																																																			
AVAILABLE	NOT APPLICABLE	34566-7953	0	B	ST.GRAY	<table border="1"> <tr><td>72</td><td></td><td></td><td></td><td></td><td></td><td></td><td></td><td></td><td></td><td></td><td>62</td><td>61</td><td>60</td><td>59</td><td></td><td></td><td></td><td>55</td><td></td></tr> <tr><td>52</td><td></td><td></td><td></td><td>48</td><td>47</td><td>46</td><td></td><td></td><td>43</td><td></td><td>41</td><td>40</td><td></td><td></td><td>38</td><td>37</td><td>36</td><td>35</td><td></td></tr> <tr><td></td><td></td><td></td><td></td><td></td><td></td><td></td><td></td><td></td><td></td><td></td><td></td><td></td><td></td><td></td><td>22</td><td>21</td><td>20</td><td>19</td><td>18</td><td>17</td></tr> <tr><td></td><td></td><td></td><td></td><td></td><td></td><td></td><td></td><td></td><td></td><td></td><td></td><td></td><td></td><td></td><td>73</td><td></td><td></td><td></td><td></td><td></td></tr> <tr><td></td><td></td><td></td><td></td><td></td><td></td><td></td><td></td><td></td><td></td><td></td><td></td><td></td><td></td><td></td><td>6</td><td>4</td><td></td><td></td><td></td><td>2</td></tr> </table>	72											62	61	60	59				55		52				48	47	46			43		41	40			38	37	36	35																	22	21	20	19	18	17																73																					6	4				2																										
72											62	61	60	59				55																																																																																																																					
52				48	47	46			43		41	40			38	37	36	35																																																																																																																					
															22	21	20	19	18	17																																																																																																																			
															73																																																																																																																								
															6	4				2																																																																																																																			
AVAILABLE	NOT APPLICABLE	34566-7963	9	A	BLACK	<table border="1"> <tr><td>72</td><td>71</td><td>70</td><td>69</td><td>68</td><td></td><td>66</td><td>65</td><td>64</td><td>63</td><td></td><td>61</td><td>60</td><td></td><td></td><td>57</td><td>56</td><td></td><td>54</td><td>53</td></tr> <tr><td>52</td><td>51</td><td>50</td><td>49</td><td>48</td><td></td><td>46</td><td>45</td><td>44</td><td>43</td><td>42</td><td></td><td>40</td><td>39</td><td>38</td><td>37</td><td>36</td><td></td><td>34</td><td>33</td></tr> <tr><td></td><td></td><td></td><td></td><td></td><td></td><td>32</td><td>31</td><td>30</td><td>29</td><td>28</td><td></td><td>26</td><td>25</td><td></td><td>23</td><td>22</td><td>21</td><td>20</td><td></td></tr> <tr><td></td><td></td><td></td><td></td><td></td><td></td><td>73</td><td></td><td></td><td></td><td></td><td></td><td></td><td></td><td></td><td>9</td><td>7</td><td>6</td><td>5</td><td>4</td><td>2</td></tr> <tr><td></td><td></td><td></td><td></td><td></td><td></td><td></td><td></td><td></td><td></td><td></td><td></td><td></td><td></td><td></td><td></td><td></td><td></td><td></td><td></td><td></td></tr> </table>	72	71	70	69	68		66	65	64	63		61	60			57	56		54	53	52	51	50	49	48		46	45	44	43	42		40	39	38	37	36		34	33							32	31	30	29	28		26	25		23	22	21	20								73									9	7	6	5	4	2																																																
72	71	70	69	68		66	65	64	63		61	60			57	56		54	53																																																																																																																				
52	51	50	49	48		46	45	44	43	42		40	39	38	37	36		34	33																																																																																																																				
						32	31	30	29	28		26	25		23	22	21	20																																																																																																																					
						73									9	7	6	5	4	2																																																																																																																			
AVAILABLE	NOT APPLICABLE	34566-7973	9	B	ST.GRAY	<table border="1"> <tr><td>72</td><td></td><td></td><td></td><td></td><td></td><td></td><td></td><td></td><td></td><td></td><td>62</td><td>61</td><td>60</td><td>59</td><td></td><td></td><td></td><td>55</td><td></td></tr> <tr><td>52</td><td></td><td>50</td><td>49</td><td>48</td><td>47</td><td>46</td><td>45</td><td></td><td>43</td><td></td><td>41</td><td>40</td><td></td><td></td><td>38</td><td>37</td><td>36</td><td>35</td><td>34</td></tr> <tr><td></td><td></td><td></td><td></td><td></td><td></td><td></td><td></td><td></td><td></td><td></td><td></td><td></td><td></td><td></td><td>22</td><td>21</td><td>20</td><td>19</td><td>18</td><td>17</td></tr> <tr><td></td><td></td><td></td><td></td><td></td><td></td><td></td><td></td><td></td><td></td><td></td><td></td><td></td><td></td><td></td><td>73</td><td></td><td></td><td></td><td></td><td></td></tr> <tr><td></td><td></td><td></td><td></td><td></td><td></td><td></td><td></td><td></td><td></td><td></td><td></td><td></td><td></td><td></td><td>6</td><td>4</td><td></td><td></td><td></td><td>1</td></tr> </table>	72											62	61	60	59				55		52		50	49	48	47	46	45		43		41	40			38	37	36	35	34																22	21	20	19	18	17																73																					6	4				1																										
72											62	61	60	59				55																																																																																																																					
52		50	49	48	47	46	45		43		41	40			38	37	36	35	34																																																																																																																				
															22	21	20	19	18	17																																																																																																																			
															73																																																																																																																								
															6	4				1																																																																																																																			
AVAILABLE	NOT APPLICABLE	34566-7983	9	B	ST.GRAY	<table border="1"> <tr><td>72</td><td></td><td></td><td></td><td></td><td></td><td></td><td></td><td></td><td></td><td></td><td>62</td><td>61</td><td>60</td><td>59</td><td></td><td></td><td></td><td>55</td><td></td></tr> <tr><td>52</td><td></td><td>50</td><td>49</td><td>48</td><td>47</td><td>46</td><td>45</td><td></td><td>43</td><td></td><td>41</td><td>40</td><td></td><td></td><td>38</td><td>37</td><td>36</td><td>35</td><td>34</td><td>33</td></tr> <tr><td></td><td></td><td></td><td></td><td></td><td></td><td></td><td></td><td></td><td></td><td></td><td></td><td></td><td></td><td></td><td>22</td><td>21</td><td>20</td><td>19</td><td>18</td><td>17</td></tr> <tr><td></td><td></td><td></td><td></td><td></td><td></td><td></td><td></td><td></td><td></td><td></td><td></td><td></td><td></td><td></td><td>73</td><td></td><td></td><td></td><td></td><td></td></tr> <tr><td></td><td></td><td></td><td></td><td></td><td></td><td></td><td></td><td></td><td></td><td></td><td></td><td></td><td></td><td></td><td>6</td><td>4</td><td></td><td></td><td></td><td></td></tr> </table>	72											62	61	60	59				55		52		50	49	48	47	46	45		43		41	40			38	37	36	35	34	33																22	21	20	19	18	17																73																					6	4																													
72											62	61	60	59				55																																																																																																																					
52		50	49	48	47	46	45		43		41	40			38	37	36	35	34	33																																																																																																																			
															22	21	20	19	18	17																																																																																																																			
															73																																																																																																																								
															6	4																																																																																																																							
AVAILABLE	NOT APPLICABLE	34566-7993	9	C	BLUE	<table border="1"> <tr><td></td><td></td><td>70</td><td>69</td><td></td><td>67</td><td>66</td><td></td><td>64</td><td></td><td></td><td>61</td><td>60</td><td></td><td></td><td>57</td><td></td><td></td><td></td><td>54</td></tr> <tr><td>52</td><td>51</td><td>50</td><td>49</td><td>48</td><td>47</td><td>46</td><td>45</td><td>44</td><td></td><td></td><td>41</td><td></td><td></td><td></td><td>37</td><td></td><td></td><td></td><td>34</td><td>33</td></tr> <tr><td></td><td></td><td></td><td></td><td></td><td></td><td></td><td></td><td></td><td></td><td></td><td></td><td></td><td></td><td></td><td></td><td></td><td></td><td></td><td>18</td><td>17</td></tr> <tr><td></td><td></td><td></td><td></td><td></td><td></td><td></td><td></td><td></td><td></td><td></td><td></td><td></td><td></td><td></td><td>73</td><td></td><td></td><td></td><td></td><td></td></tr> <tr><td></td><td></td><td></td><td></td><td></td><td></td><td></td><td></td><td></td><td></td><td></td><td></td><td></td><td></td><td></td><td></td><td></td><td></td><td></td><td></td><td></td></tr> <tr><td></td><td></td><td></td><td></td><td></td><td></td><td></td><td></td><td></td><td></td><td></td><td></td><td></td><td></td><td></td><td>16</td><td>15</td><td>14</td><td>13</td><td>12</td><td>11</td><td>10</td><td>9</td><td>8</td><td>7</td></tr> </table>			70	69		67	66		64			61	60			57				54	52	51	50	49	48	47	46	45	44			41				37				34	33																				18	17																73																																										16	15	14	13	12	11	10	9	8	7
		70	69		67	66		64			61	60			57				54																																																																																																																				
52	51	50	49	48	47	46	45	44			41				37				34	33																																																																																																																			
																			18	17																																																																																																																			
															73																																																																																																																								
															16	15	14	13	12	11	10	9	8	7																																																																																																															

<b>QUALITY SYMBOLS</b> = 0 = 0 = 0 = 0 = 0 = 0 = 0 = 0 = 0	THIS DRAWING CONTAINS INFORMATION THAT IS PROPRIETARY TO MOLEX ELECTRONIC TECHNOLOGIES, LLC AND SHOULD NOT BE USED WITHOUT WRITTEN PERMISSION										
	EC NO: 115716	2017/04/12	2017/04/21	GENERAL TOLERANCES (UNLESS SPECIFIED)			DIMENSION UNITS	SCALE			
	DRWN: TYE	CHKD:	APPR: JDENG02	ANGULAR TOL ± °			MM	1:1			
	REV: G50	4 PLACES ±			DRWN BY	DATE	SKRAJENDRANA 2011/02/14				
	3 PLACES ±			CHKD BY	DATE	MVANSLAMBROU 2011/02/14					
	2 PLACES ±			APPR BY	DATE						
	1 PLACE ±			DRAFT WHERE APPLICABLE MUST REMAIN WITHIN DIMENSIONS							
	0 PLACES ±			DRAWING SIZE	THIRD ANGLE PROJECTION						
				D							
				SERIES			MATERIAL NUMBER			CUSTOMER	
			34566			SEE BOM TABLE			GENERAL MARKET		
			DOCUMENT NUMBER			DOC TYPE			DOC PART SHEET NUMBER		
			SD-34566-001			PSD			000 87 OF 93		

STATUS	GM PART #	MATERIAL #	WIRE DRESS OPTION	KEY OPTION	COLOR (TPA)	NUMBERS INDICATE CAVITIES OPEN FOR CIRCUITS F <sub>P</sub>																																																																																				
AVAILABLE	NOT APPLICABLE	34566-8013	9	C	BLUE	<table border="1"> <tr><td></td><td>71</td><td></td><td></td><td></td><td>67</td><td>65</td><td>64</td><td></td><td></td><td>61</td><td>60</td><td>59</td><td></td><td>57</td><td></td><td></td><td>54</td></tr> <tr><td>52</td><td>51</td><td>50</td><td></td><td>48</td><td>47</td><td>45</td><td>44</td><td></td><td></td><td>41</td><td></td><td>39</td><td></td><td>37</td><td></td><td></td><td>34</td><td>33</td></tr> <tr><td></td><td></td><td></td><td></td><td>32</td><td></td><td></td><td>28</td><td>27</td><td></td><td>25</td><td></td><td>23</td><td></td><td></td><td></td><td></td><td>18</td><td></td></tr> <tr><td></td><td></td><td></td><td></td><td>16</td><td>15</td><td>14</td><td>13</td><td>12</td><td>11</td><td>10</td><td>9</td><td>8</td><td>7</td><td></td><td></td><td></td><td></td><td></td></tr> </table>		71				67	65	64			61	60	59		57			54	52	51	50		48	47	45	44			41		39		37			34	33					32			28	27		25		23					18						16	15	14	13	12	11	10	9	8	7														
	71				67	65	64			61	60	59		57			54																																																																									
52	51	50		48	47	45	44			41		39		37			34	33																																																																								
				32			28	27		25		23					18																																																																									
				16	15	14	13	12	11	10	9	8	7																																																																													
AVAILABLE	TBD	34822-0173	9	A	BLACK	<table border="1"> <tr><td>64</td><td></td><td></td><td></td><td></td><td></td><td>58</td><td>57</td><td>56</td><td>55</td><td>54</td><td></td><td>52</td><td></td><td>50</td><td></td><td></td><td></td><td>66</td></tr> <tr><td>48</td><td></td><td>46</td><td>45</td><td>44</td><td>43</td><td>42</td><td>41</td><td>40</td><td></td><td></td><td></td><td>36</td><td></td><td>34</td><td></td><td></td><td></td><td></td></tr> <tr><td></td><td></td><td></td><td></td><td>32</td><td>31</td><td>30</td><td>29</td><td></td><td></td><td>27</td><td>26</td><td></td><td>24</td><td>23</td><td></td><td></td><td></td><td></td></tr> <tr><td></td><td></td><td></td><td></td><td>16</td><td></td><td></td><td></td><td></td><td>12</td><td>11</td><td>10</td><td>9</td><td></td><td></td><td>6</td><td>5</td><td>4</td><td></td></tr> </table>	64						58	57	56	55	54		52		50				66	48		46	45	44	43	42	41	40				36		34									32	31	30	29			27	26		24	23									16					12	11	10	9			6	5	4									
64						58	57	56	55	54		52		50				66																																																																								
48		46	45	44	43	42	41	40				36		34																																																																												
				32	31	30	29			27	26		24	23																																																																												
				16					12	11	10	9			6	5	4																																																																									
AVAILABLE	NOT APPLICABLE	34566-8023	9	C	BLUE	<table border="1"> <tr><td>72</td><td></td><td></td><td>69</td><td>68</td><td></td><td></td><td></td><td></td><td></td><td>63</td><td>62</td><td></td><td></td><td>59</td><td></td><td></td><td>56</td><td>55</td><td>53</td></tr> <tr><td></td><td></td><td></td><td></td><td></td><td></td><td></td><td>46</td><td></td><td></td><td>43</td><td>42</td><td></td><td>40</td><td>39</td><td></td><td></td><td>36</td><td>35</td><td></td></tr> <tr><td></td><td></td><td></td><td></td><td></td><td></td><td></td><td>31</td><td>30</td><td>29</td><td></td><td></td><td>26</td><td>24</td><td>23</td><td></td><td>22</td><td>21</td><td>20</td><td>19</td></tr> <tr><td></td><td></td><td></td><td></td><td></td><td></td><td></td><td></td><td></td><td></td><td></td><td></td><td></td><td>8</td><td>7</td><td>6</td><td>5</td><td>4</td><td>3</td><td>2</td><td>1</td></tr> </table>	72			69	68						63	62			59			56	55	53								46			43	42		40	39			36	35									31	30	29			26	24	23		22	21	20	19														8	7	6	5	4	3	2	1			
72			69	68						63	62			59			56	55	53																																																																							
							46			43	42		40	39			36	35																																																																								
							31	30	29			26	24	23		22	21	20	19																																																																							
													8	7	6	5	4	3	2	1																																																																						
AVAILABLE	NOT APPLICABLE	34566-8033	9	B	ST.GRAY	<table border="1"> <tr><td>71</td><td>70</td><td>69</td><td></td><td>67</td><td>66</td><td>65</td><td>64</td><td>63</td><td></td><td></td><td></td><td></td><td></td><td>58</td><td>57</td><td>56</td><td></td><td>54</td></tr> <tr><td>51</td><td>50</td><td>49</td><td></td><td></td><td></td><td>45</td><td></td><td></td><td></td><td>42</td><td></td><td></td><td></td><td>39</td><td></td><td></td><td></td><td>34</td><td>33</td></tr> <tr><td></td><td></td><td></td><td></td><td>32</td><td>31</td><td></td><td>29</td><td>28</td><td>27</td><td>26</td><td>25</td><td>24</td><td>23</td><td></td><td></td><td></td><td></td><td></td><td></td></tr> <tr><td></td><td></td><td></td><td></td><td></td><td></td><td></td><td>13</td><td>12</td><td>11</td><td>10</td><td>9</td><td></td><td>7</td><td></td><td>5</td><td></td><td>3</td><td>2</td><td></td></tr> </table>	71	70	69		67	66	65	64	63						58	57	56		54	51	50	49				45				42				39				34	33					32	31		29	28	27	26	25	24	23														13	12	11	10	9		7		5		3	2						
71	70	69		67	66	65	64	63						58	57	56		54																																																																								
51	50	49				45				42				39				34	33																																																																							
				32	31		29	28	27	26	25	24	23																																																																													
							13	12	11	10	9		7		5		3	2																																																																								
AVAILABLE	NOT APPLICABLE	34566-8043	9	A	BLACK	<table border="1"> <tr><td></td><td></td><td></td><td></td><td></td><td>67</td><td></td><td></td><td></td><td></td><td>62</td><td>61</td><td></td><td>59</td><td>58</td><td></td><td></td><td>55</td><td>53</td></tr> <tr><td></td><td></td><td></td><td></td><td></td><td>47</td><td></td><td></td><td></td><td></td><td>42</td><td></td><td></td><td></td><td></td><td></td><td></td><td>35</td><td>33</td></tr> <tr><td></td><td></td><td></td><td></td><td></td><td></td><td></td><td></td><td></td><td></td><td>27</td><td>26</td><td>25</td><td>24</td><td></td><td></td><td>20</td><td>19</td><td>18</td><td>17</td></tr> <tr><td></td><td></td><td></td><td></td><td></td><td>16</td><td></td><td></td><td></td><td></td><td>11</td><td>10</td><td>9</td><td>8</td><td></td><td></td><td>4</td><td>3</td><td></td><td>1</td></tr> </table>						67					62	61		59	58			55	53						47					42							35	33											27	26	25	24			20	19	18	17						16					11	10	9	8			4	3		1						
					67					62	61		59	58			55	53																																																																								
					47					42							35	33																																																																								
										27	26	25	24			20	19	18	17																																																																							
					16					11	10	9	8			4	3		1																																																																							
AVAILABLE	NOT APPLICABLE	34566-8053	9	A	BLACK	<table border="1"> <tr><td>72</td><td></td><td></td><td></td><td>68</td><td>67</td><td>66</td><td></td><td></td><td></td><td></td><td></td><td></td><td></td><td>59</td><td></td><td></td><td></td><td></td><td></td></tr> <tr><td></td><td></td><td></td><td></td><td></td><td></td><td>46</td><td></td><td></td><td></td><td></td><td></td><td>40</td><td></td><td>38</td><td></td><td></td><td>35</td><td>33</td><td></td></tr> <tr><td></td><td></td><td></td><td></td><td></td><td></td><td>31</td><td></td><td></td><td></td><td></td><td></td><td>25</td><td>23</td><td>22</td><td>21</td><td>20</td><td>19</td><td>17</td><td></td></tr> <tr><td></td><td></td><td></td><td></td><td></td><td></td><td></td><td></td><td></td><td></td><td></td><td></td><td>9</td><td>8</td><td>7</td><td>6</td><td>5</td><td>4</td><td></td><td>2</td><td>1</td></tr> </table>	72				68	67	66								59												46						40		38			35	33								31						25	23	22	21	20	19	17														9	8	7	6	5	4		2	1			
72				68	67	66								59																																																																												
						46						40		38			35	33																																																																								
						31						25	23	22	21	20	19	17																																																																								
												9	8	7	6	5	4		2	1																																																																						
AVAILABLE	NOT APPLICABLE	34566-8063	9	C	BLUE	<table border="1"> <tr><td>71</td><td></td><td>69</td><td></td><td></td><td></td><td>65</td><td>64</td><td></td><td></td><td>61</td><td>60</td><td></td><td></td><td>58</td><td></td><td>56</td><td>55</td><td>54</td></tr> <tr><td></td><td></td><td>50</td><td></td><td></td><td></td><td>45</td><td></td><td>43</td><td>42</td><td></td><td></td><td></td><td></td><td>38</td><td></td><td></td><td>35</td><td></td></tr> <tr><td></td><td></td><td></td><td></td><td></td><td></td><td>31</td><td></td><td>29</td><td>28</td><td></td><td></td><td></td><td></td><td>23</td><td></td><td></td><td>19</td><td>18</td><td>17</td></tr> <tr><td></td><td></td><td></td><td></td><td></td><td></td><td>16</td><td></td><td></td><td>12</td><td>11</td><td></td><td></td><td></td><td>7</td><td></td><td></td><td>3</td><td></td><td>1</td></tr> </table>	71		69				65	64			61	60			58		56	55	54			50				45		43	42					38			35								31		29	28					23			19	18	17							16			12	11				7			3		1						
71		69				65	64			61	60			58		56	55	54																																																																								
		50				45		43	42					38			35																																																																									
						31		29	28					23			19	18	17																																																																							
						16			12	11				7			3		1																																																																							
AVAILABLE	NOT APPLICABLE	34566-8073	9	B	ST.GRAY	<table border="1"> <tr><td></td><td></td><td>69</td><td></td><td></td><td></td><td>65</td><td>64</td><td>63</td><td></td><td></td><td></td><td></td><td></td><td></td><td></td><td></td><td></td><td></td><td></td></tr> <tr><td></td><td></td><td>49</td><td></td><td></td><td></td><td>45</td><td>44</td><td>43</td><td></td><td></td><td></td><td></td><td></td><td></td><td></td><td></td><td></td><td></td><td></td></tr> <tr><td></td><td></td><td></td><td></td><td></td><td></td><td></td><td></td><td></td><td></td><td></td><td></td><td></td><td></td><td>23</td><td>22</td><td>21</td><td>20</td><td>19</td><td></td></tr> <tr><td></td><td></td><td></td><td></td><td></td><td></td><td></td><td></td><td></td><td></td><td></td><td></td><td></td><td></td><td>12</td><td>11</td><td>9</td><td>7</td><td>6</td><td>5</td><td>4</td></tr> </table>			69				65	64	63														49				45	44	43																										23	22	21	20	19																12	11	9	7	6	5	4			
		69				65	64	63																																																																																		
		49				45	44	43																																																																																		
														23	22	21	20	19																																																																								
														12	11	9	7	6	5	4																																																																						
AVAILABLE	NOT APPLICABLE	34566-8083	9	B	ST.GRAY	<table border="1"> <tr><td></td><td></td><td></td><td></td><td></td><td></td><td></td><td></td><td></td><td></td><td>62</td><td></td><td></td><td>59</td><td>58</td><td></td><td></td><td></td><td></td><td>54</td><td>53</td></tr> <tr><td></td><td></td><td></td><td></td><td></td><td></td><td></td><td></td><td></td><td></td><td>42</td><td></td><td></td><td>39</td><td></td><td></td><td></td><td></td><td></td><td></td><td></td></tr> <tr><td></td><td></td><td></td><td></td><td></td><td></td><td></td><td></td><td></td><td></td><td>27</td><td></td><td></td><td></td><td></td><td></td><td></td><td></td><td></td><td></td><td></td></tr> <tr><td></td><td></td><td></td><td></td><td></td><td></td><td></td><td></td><td></td><td></td><td>10</td><td>9</td><td></td><td></td><td></td><td></td><td></td><td></td><td></td><td></td><td></td></tr> </table>											62			59	58					54	53											42			39																		27																					10	9									
										62			59	58					54	53																																																																						
										42			39																																																																													
										27																																																																																
										10	9																																																																															
AVAILABLE	NOT APPLICABLE	34566-8093	9	A	BLACK	<table border="1"> <tr><td>71</td><td></td><td>69</td><td>68</td><td></td><td>66</td><td>65</td><td>64</td><td></td><td></td><td>62</td><td>61</td><td></td><td></td><td></td><td></td><td></td><td></td><td>54</td><td>53</td></tr> <tr><td></td><td></td><td>50</td><td>49</td><td></td><td></td><td>45</td><td>44</td><td></td><td></td><td></td><td>41</td><td></td><td></td><td></td><td></td><td></td><td></td><td>34</td><td>33</td></tr> <tr><td></td><td></td><td></td><td></td><td></td><td></td><td>32</td><td>31</td><td>30</td><td>29</td><td></td><td>26</td><td>25</td><td>24</td><td>23</td><td></td><td></td><td>20</td><td>19</td><td></td></tr> <tr><td></td><td></td><td></td><td></td><td></td><td></td><td>16</td><td>15</td><td>14</td><td>13</td><td></td><td>10</td><td>8</td><td></td><td>6</td><td></td><td>4</td><td>3</td><td></td><td></td></tr> </table>	71		69	68		66	65	64			62	61							54	53			50	49			45	44				41							34	33							32	31	30	29		26	25	24	23			20	19								16	15	14	13		10	8		6		4	3						
71		69	68		66	65	64			62	61							54	53																																																																							
		50	49			45	44				41							34	33																																																																							
						32	31	30	29		26	25	24	23			20	19																																																																								
						16	15	14	13		10	8		6		4	3																																																																									
AVAILABLE	NOT APPLICABLE	34566-8113	9	C	BLUE	<table border="1"> <tr><td></td><td></td><td></td><td></td><td>68</td><td></td><td></td><td></td><td></td><td></td><td>63</td><td>62</td><td>61</td><td>60</td><td>59</td><td>58</td><td>57</td><td></td><td>55</td><td>53</td></tr> <tr><td></td><td></td><td></td><td></td><td>48</td><td></td><td></td><td></td><td></td><td></td><td>43</td><td>42</td><td>41</td><td>40</td><td></td><td></td><td></td><td>37</td><td>36</td><td>35</td><td>33</td></tr> <tr><td></td><td></td><td></td><td></td><td>32</td><td></td><td></td><td></td><td></td><td></td><td>27</td><td></td><td></td><td>24</td><td></td><td></td><td></td><td>20</td><td>19</td><td>18</td><td></td></tr> <tr><td></td><td></td><td></td><td></td><td></td><td></td><td></td><td></td><td></td><td></td><td>11</td><td>10</td><td></td><td>8</td><td></td><td></td><td>5</td><td>4</td><td>3</td><td>2</td><td>1</td></tr> </table>					68						63	62	61	60	59	58	57		55	53					48						43	42	41	40				37	36	35	33					32						27			24				20	19	18												11	10		8			5	4	3	2	1	
				68						63	62	61	60	59	58	57		55	53																																																																							
				48						43	42	41	40				37	36	35	33																																																																						
				32						27			24				20	19	18																																																																							
										11	10		8			5	4	3	2	1																																																																						

<b>QUALITY SYMBOLS</b> = 0 = 0 = 0 = 0 = 0 = 0 = 0 = 0 = 0	THIS DRAWING CONTAINS INFORMATION THAT IS PROPRIETARY TO MOLEX ELECTRONIC TECHNOLOGIES, LLC AND SHOULD NOT BE USED WITHOUT WRITTEN PERMISSION														
	EC NO: 115716	DRWN: TYE	CHKD: JDENG02	REV: APPR: JDENG02	2017/04/12	2017/04/21	GENERAL TOLERANCES (UNLESS SPECIFIED)		DIMENSION UNITS	SCALE	 <b>MX123</b> <b>66/73/80CKT HRNS CONN ASSY</b>				
	4 PLACES ±		3 PLACES ±		2 PLACES ±		1 PLACE ±		0 PLACES ±				DRAWN BY	DATE	
	3 SKRAJENDRANA		2 MVANSLAMBROU		1		0		DATE	DATE	SERIES	MATERIAL NUMBER	CUSTOMER		
	3		2		1		0		DATE	DATE	34566	SEE BOM TABLE	GENERAL MARKET		
	3		2		1		0		DRAFT WHERE APPLICABLE MUST REMAIN WITHIN DIMENSIONS	D	THIRD ANGLE PROJECTION	DOCUMENT NUMBER	DOC TYPE	DOC PART	SHEET NUMBER
	3		2		1		0				SD-34566-001	PSD	000	88 OF 93	
	3		2		1		0								
	3		2		1		0								

STATUS	GM PART #	MATERIAL #	WIRE DRESS OPTION	KEY OPTION	COLOR (TPA)	NUMBERS INDICATE CAVITIES OPEN FOR CIRCUITS F <sub>P</sub>																																																																																												
AVAILABLE	NOT APPLICABLE	34566-8123	0	G	BLUE	<table border="1"> <tr><td>80</td><td>79</td><td></td><td></td><td></td><td></td><td></td><td></td><td></td><td></td><td>73</td><td>72</td><td></td><td>70</td><td>69</td><td>68</td><td>67</td><td>66</td><td>65</td><td>64</td><td></td><td>62</td><td>61</td></tr> <tr><td></td><td>59</td><td></td><td></td><td></td><td></td><td></td><td></td><td></td><td></td><td>53</td><td>52</td><td></td><td></td><td></td><td></td><td></td><td>46</td><td></td><td>44</td><td></td><td>42</td><td>41</td></tr> <tr><td></td><td></td><td></td><td></td><td></td><td></td><td>36</td><td>35</td><td>34</td><td></td><td></td><td></td><td></td><td></td><td></td><td></td><td></td><td></td><td>25</td><td>24</td><td>23</td><td>22</td><td>21</td></tr> <tr><td></td><td>19</td><td></td><td></td><td></td><td></td><td>16</td><td>15</td><td>14</td><td></td><td></td><td></td><td></td><td></td><td></td><td></td><td></td><td></td><td></td><td></td><td></td><td></td><td></td></tr> </table>	80	79									73	72		70	69	68	67	66	65	64		62	61		59									53	52						46		44		42	41							36	35	34										25	24	23	22	21		19					16	15	14														
80	79									73	72		70	69	68	67	66	65	64		62	61																																																																												
	59									53	52						46		44		42	41																																																																												
						36	35	34										25	24	23	22	21																																																																												
	19					16	15	14																																																																																										
AVAILABLE	NOT APPLICABLE	34566-8133	0	G	BLUE	<table border="1"> <tr><td>80</td><td>79</td><td>78</td><td>77</td><td></td><td>75</td><td></td><td></td><td></td><td></td><td>72</td><td>71</td><td>70</td><td>69</td><td>68</td><td></td><td>66</td><td></td><td></td><td></td><td></td><td></td><td></td></tr> <tr><td>60</td><td>59</td><td>58</td><td>57</td><td>56</td><td>55</td><td></td><td></td><td></td><td>53</td><td></td><td>51</td><td>50</td><td>49</td><td>48</td><td>47</td><td>46</td><td>45</td><td>44</td><td></td><td></td><td></td><td></td></tr> <tr><td>40</td><td>39</td><td></td><td>37</td><td>36</td><td>35</td><td>34</td><td></td><td></td><td>32</td><td>31</td><td>30</td><td>29</td><td>28</td><td></td><td>26</td><td></td><td></td><td>24</td><td>23</td><td>22</td><td>21</td><td></td></tr> <tr><td></td><td>19</td><td>18</td><td>17</td><td></td><td></td><td></td><td></td><td></td><td></td><td>11</td><td></td><td></td><td></td><td></td><td></td><td></td><td></td><td>4</td><td>3</td><td></td><td></td><td>1</td></tr> </table>	80	79	78	77		75					72	71	70	69	68		66							60	59	58	57	56	55				53		51	50	49	48	47	46	45	44					40	39		37	36	35	34			32	31	30	29	28		26			24	23	22	21			19	18	17							11								4	3			1
80	79	78	77		75					72	71	70	69	68		66																																																																																		
60	59	58	57	56	55				53		51	50	49	48	47	46	45	44																																																																																
40	39		37	36	35	34			32	31	30	29	28		26			24	23	22	21																																																																													
	19	18	17							11								4	3			1																																																																												
AVAILABLE	NOT APPLICABLE	34566-8143	0	G	BLUE	<table border="1"> <tr><td>80</td><td>79</td><td>78</td><td>77</td><td>76</td><td>75</td><td>74</td><td>73</td><td>72</td><td></td><td>70</td><td>69</td><td>68</td><td>67</td><td>66</td><td>65</td><td>64</td><td>63</td><td>62</td><td>61</td><td></td><td></td><td></td></tr> <tr><td>60</td><td>59</td><td>58</td><td>57</td><td>56</td><td>55</td><td>54</td><td>53</td><td>52</td><td>51</td><td>50</td><td></td><td>48</td><td>47</td><td>46</td><td>45</td><td>44</td><td>43</td><td>42</td><td>41</td><td></td><td></td><td></td></tr> <tr><td>40</td><td>39</td><td>38</td><td>37</td><td>36</td><td>35</td><td>34</td><td>33</td><td>32</td><td>31</td><td>30</td><td>29</td><td>28</td><td>27</td><td>26</td><td>25</td><td>24</td><td>23</td><td>22</td><td>21</td><td></td><td></td><td></td></tr> <tr><td>20</td><td>19</td><td>18</td><td>17</td><td>16</td><td>15</td><td>14</td><td>13</td><td>12</td><td>11</td><td>10</td><td>9</td><td>8</td><td>7</td><td>6</td><td>5</td><td>4</td><td>3</td><td>2</td><td>1</td><td></td><td></td><td></td></tr> </table>	80	79	78	77	76	75	74	73	72		70	69	68	67	66	65	64	63	62	61				60	59	58	57	56	55	54	53	52	51	50		48	47	46	45	44	43	42	41				40	39	38	37	36	35	34	33	32	31	30	29	28	27	26	25	24	23	22	21				20	19	18	17	16	15	14	13	12	11	10	9	8	7	6	5	4	3	2	1			
80	79	78	77	76	75	74	73	72		70	69	68	67	66	65	64	63	62	61																																																																															
60	59	58	57	56	55	54	53	52	51	50		48	47	46	45	44	43	42	41																																																																															
40	39	38	37	36	35	34	33	32	31	30	29	28	27	26	25	24	23	22	21																																																																															
20	19	18	17	16	15	14	13	12	11	10	9	8	7	6	5	4	3	2	1																																																																															
AVAILABLE	NOT APPLICABLE	34566-8153	0	C	BLUE	<table border="1"> <tr><td>72</td><td>71</td><td>70</td><td>69</td><td>68</td><td>67</td><td>66</td><td>65</td><td>64</td><td>63</td><td>62</td><td>61</td><td>60</td><td>59</td><td>58</td><td>57</td><td>56</td><td>55</td><td></td><td></td><td></td><td></td><td></td></tr> <tr><td>52</td><td>51</td><td>50</td><td></td><td></td><td></td><td></td><td></td><td></td><td></td><td>42</td><td>41</td><td></td><td></td><td></td><td></td><td></td><td>35</td><td>34</td><td>33</td><td></td><td></td><td></td></tr> <tr><td></td><td></td><td></td><td></td><td></td><td></td><td></td><td></td><td></td><td>28</td><td>27</td><td></td><td></td><td></td><td></td><td></td><td></td><td></td><td></td><td>18</td><td></td><td></td><td></td></tr> <tr><td></td><td></td><td></td><td></td><td></td><td></td><td></td><td></td><td></td><td></td><td></td><td></td><td></td><td></td><td></td><td></td><td></td><td>3</td><td></td><td></td><td></td><td></td><td></td></tr> </table>	72	71	70	69	68	67	66	65	64	63	62	61	60	59	58	57	56	55						52	51	50								42	41						35	34	33													28	27									18																					3					
72	71	70	69	68	67	66	65	64	63	62	61	60	59	58	57	56	55																																																																																	
52	51	50								42	41						35	34	33																																																																															
									28	27									18																																																																															
																	3																																																																																	
AVAILABLE	NOT APPLICABLE	34566-8163	9	B	ST.GRAY	<table border="1"> <tr><td></td><td></td><td></td><td></td><td>68</td><td>67</td><td></td><td></td><td>64</td><td>63</td><td></td><td></td><td></td><td>59</td><td>58</td><td></td><td>55</td><td>54</td><td></td><td></td><td></td><td></td><td></td></tr> <tr><td></td><td></td><td></td><td></td><td>47</td><td>46</td><td>45</td><td>44</td><td>43</td><td></td><td></td><td></td><td></td><td>39</td><td>38</td><td></td><td>35</td><td></td><td></td><td></td><td></td><td></td><td></td></tr> <tr><td></td><td></td><td></td><td></td><td>32</td><td>31</td><td>30</td><td>29</td><td>28</td><td>27</td><td></td><td></td><td></td><td>23</td><td>22</td><td></td><td>19</td><td>17</td><td></td><td></td><td></td><td></td><td></td></tr> <tr><td></td><td></td><td></td><td></td><td>15</td><td>14</td><td>13</td><td>12</td><td>11</td><td>10</td><td>9</td><td></td><td></td><td>6</td><td>4</td><td></td><td></td><td></td><td></td><td></td><td></td><td></td><td>1</td></tr> </table>					68	67			64	63				59	58		55	54										47	46	45	44	43					39	38		35											32	31	30	29	28	27				23	22		19	17										15	14	13	12	11	10	9			6	4								1
				68	67			64	63				59	58		55	54																																																																																	
				47	46	45	44	43					39	38		35																																																																																		
				32	31	30	29	28	27				23	22		19	17																																																																																	
				15	14	13	12	11	10	9			6	4								1																																																																												
AVAILABLE	NOT APPLICABLE	34566-8173	0	B	ST.GRAY	<table border="1"> <tr><td>72</td><td></td><td>70</td><td>68</td><td>67</td><td></td><td></td><td></td><td></td><td>63</td><td>62</td><td>61</td><td>60</td><td>59</td><td></td><td></td><td></td><td></td><td></td><td></td><td></td><td></td><td></td></tr> <tr><td>52</td><td></td><td></td><td></td><td></td><td>46</td><td></td><td></td><td></td><td>43</td><td></td><td>41</td><td>40</td><td></td><td></td><td></td><td></td><td></td><td></td><td></td><td></td><td></td><td></td></tr> <tr><td></td><td></td><td></td><td></td><td></td><td></td><td></td><td></td><td></td><td>27</td><td></td><td></td><td></td><td></td><td>22</td><td>21</td><td>20</td><td>19</td><td>18</td><td></td><td></td><td></td><td></td></tr> <tr><td></td><td></td><td></td><td></td><td></td><td>16</td><td>14</td><td></td><td></td><td>11</td><td></td><td></td><td>8</td><td>6</td><td>4</td><td></td><td></td><td></td><td></td><td></td><td></td><td></td><td></td></tr> </table>	72		70	68	67					63	62	61	60	59										52					46				43		41	40																				27					22	21	20	19	18										16	14			11			8	6	4								
72		70	68	67					63	62	61	60	59																																																																																					
52					46				43		41	40																																																																																						
									27					22	21	20	19	18																																																																																
					16	14			11			8	6	4																																																																																				
AVAILABLE	NOT APPLICABLE	34566-8223	9	A	BLACK	<table border="1"> <tr><td>72</td><td></td><td></td><td></td><td></td><td></td><td></td><td></td><td></td><td></td><td>62</td><td>61</td><td></td><td>59</td><td></td><td>57</td><td></td><td>55</td><td></td><td></td><td></td><td></td><td></td></tr> <tr><td>52</td><td>51</td><td></td><td></td><td></td><td></td><td></td><td></td><td></td><td></td><td></td><td></td><td></td><td>40</td><td></td><td>37</td><td></td><td>20</td><td></td><td></td><td></td><td></td><td></td></tr> <tr><td></td><td></td><td></td><td></td><td></td><td></td><td></td><td></td><td></td><td>29</td><td></td><td></td><td>25</td><td></td><td></td><td></td><td></td><td></td><td></td><td></td><td></td><td></td><td></td></tr> <tr><td></td><td></td><td></td><td></td><td></td><td>16</td><td>15</td><td>14</td><td></td><td>12</td><td>11</td><td>10</td><td>9</td><td></td><td></td><td></td><td></td><td></td><td></td><td></td><td></td><td></td><td></td></tr> </table>	72										62	61		59		57		55						52	51												40		37		20															29			25																16	15	14		12	11	10	9										
72										62	61		59		57		55																																																																																	
52	51												40		37		20																																																																																	
									29			25																																																																																						
					16	15	14		12	11	10	9																																																																																						
AVAILABLE	NOT APPLICABLE	34566-8183	9	H	ST.GRAY	<table border="1"> <tr><td></td><td></td><td></td><td></td><td></td><td></td><td></td><td></td><td></td><td></td><td>71</td><td></td><td></td><td></td><td></td><td></td><td></td><td></td><td></td><td></td><td></td><td></td><td></td></tr> <tr><td></td><td></td><td></td><td></td><td></td><td></td><td></td><td></td><td></td><td></td><td></td><td></td><td></td><td>49</td><td></td><td></td><td></td><td></td><td></td><td></td><td></td><td></td><td></td></tr> </table>											71																										49																																																							
										71																																																																																								
													49																																																																																					
AVAILABLE	NOT APPLICABLE	34566-8193	0	G	BLUE	<table border="1"> <tr><td></td><td>79</td><td>78</td><td>77</td><td>76</td><td>75</td><td>74</td><td></td><td></td><td></td><td>71</td><td></td><td></td><td></td><td>67</td><td>65</td><td>63</td><td></td><td></td><td></td><td></td><td></td><td></td></tr> <tr><td>60</td><td>59</td><td>58</td><td>57</td><td>56</td><td>55</td><td>54</td><td></td><td></td><td>52</td><td></td><td></td><td></td><td></td><td>47</td><td>45</td><td>43</td><td></td><td></td><td></td><td></td><td></td><td></td></tr> <tr><td>40</td><td></td><td>38</td><td>37</td><td></td><td></td><td></td><td></td><td>33</td><td>32</td><td>31</td><td>30</td><td>29</td><td></td><td>27</td><td>26</td><td></td><td></td><td></td><td></td><td></td><td></td><td></td></tr> <tr><td>20</td><td></td><td>18</td><td>17</td><td></td><td></td><td></td><td></td><td></td><td></td><td>11</td><td>10</td><td>9</td><td>8</td><td>7</td><td>6</td><td>5</td><td>4</td><td>3</td><td>2</td><td>1</td><td></td><td></td></tr> </table>		79	78	77	76	75	74				71				67	65	63							60	59	58	57	56	55	54			52					47	45	43							40		38	37					33	32	31	30	29		27	26								20		18	17							11	10	9	8	7	6	5	4	3	2	1		
	79	78	77	76	75	74				71				67	65	63																																																																																		
60	59	58	57	56	55	54			52					47	45	43																																																																																		
40		38	37					33	32	31	30	29		27	26																																																																																			
20		18	17							11	10	9	8	7	6	5	4	3	2	1																																																																														
AVAILABLE	NOT APPLICABLE	34566-8213	0	H	ST.GRAY	<table border="1"> <tr><td></td><td></td><td></td><td></td><td></td><td></td><td>74</td><td>73</td><td></td><td></td><td></td><td></td><td></td><td></td><td>67</td><td>65</td><td>64</td><td>63</td><td>62</td><td>61</td><td></td><td></td><td></td></tr> <tr><td></td><td></td><td></td><td></td><td></td><td></td><td></td><td>53</td><td>52</td><td></td><td></td><td></td><td></td><td></td><td></td><td></td><td></td><td>44</td><td>43</td><td>42</td><td>41</td><td></td><td></td></tr> <tr><td></td><td></td><td></td><td></td><td></td><td></td><td></td><td></td><td>33</td><td></td><td></td><td></td><td></td><td></td><td></td><td>27</td><td>25</td><td></td><td></td><td></td><td></td><td></td><td></td></tr> <tr><td>20</td><td></td><td></td><td></td><td></td><td></td><td>16</td><td>15</td><td>14</td><td>13</td><td>12</td><td>10</td><td>9</td><td>8</td><td>6</td><td>5</td><td></td><td></td><td></td><td></td><td>2</td><td></td><td></td></tr> </table>							74	73							67	65	64	63	62	61											53	52									44	43	42	41											33							27	25							20						16	15	14	13	12	10	9	8	6	5					2		
						74	73							67	65	64	63	62	61																																																																															
							53	52									44	43	42	41																																																																														
								33							27	25																																																																																		
20						16	15	14	13	12	10	9	8	6	5					2																																																																														

G44

<b>QUALITY SYMBOLS</b> = 0 = 0 = 0 = 0 = 0 = 0 = 0 = 0 = 0	THIS DRAWING CONTAINS INFORMATION THAT IS PROPRIETARY TO MOLEX ELECTRONIC TECHNOLOGIES, LLC AND SHOULD NOT BE USED WITHOUT WRITTEN PERMISSION											
	EC NO: 115716	DRWN: TYE	CHKD: JDENG02	REV: APPR: JDENG02	2017/04/12	2017/04/21	GENERAL TOLERANCES (UNLESS SPECIFIED)		DIMENSION UNITS	SCALE		
	4 PLACES ±		3 PLACES ±		2 PLACES ±		1 PLACE ±		0 PLACES ±			
	DRAFT WHERE APPLICABLE MUST REMAIN WITHIN DIMENSIONS		DRAWING SIZE	THIRD ANGLE PROJECTION	SERIES		MATERIAL NUMBER		CUSTOMER			
	D				34566		SEE BOM TABLE		GENERAL MARKET			
	G50		SD-34566-001		PSD		000		89 OF 93			
	MX123		66/73/80CKT HRNS CONN ASSY		PRODUCT CUSTOMER DRAWING							

STATUS	GM PART #	MATERIAL #	WIRE DRESS OPTION	KEY OPTION ▽	COLOR (TPA) ▽	NUMBERS INDICATE CAVITIES OPEN FOR CIRCUITS ▽																																																																																																							
G46 AVAILABLE	NOT APPLICABLE	34566-8223	9	A	BLACK	<table border="1"> <tr><td>72</td><td></td><td></td><td></td><td></td><td></td><td></td><td></td><td></td><td></td><td>62</td><td>61</td><td></td><td>59</td><td></td><td>57</td><td></td><td>55</td><td></td><td></td></tr> <tr><td>52</td><td>51</td><td></td><td></td><td></td><td></td><td></td><td></td><td></td><td></td><td></td><td></td><td>40</td><td></td><td></td><td>37</td><td></td><td></td><td></td><td></td></tr> <tr><td></td><td></td><td></td><td></td><td>73</td><td></td><td></td><td>32</td><td></td><td></td><td></td><td>29</td><td></td><td></td><td></td><td>25</td><td></td><td></td><td>20</td><td></td></tr> <tr><td></td><td></td><td></td><td></td><td></td><td></td><td></td><td>16</td><td>15</td><td>14</td><td></td><td>12</td><td>11</td><td>10</td><td>9</td><td></td><td></td><td></td><td></td><td></td></tr> </table>	72										62	61		59		57		55			52	51											40			37									73			32				29				25			20									16	15	14		12	11	10	9																												
72										62	61		59		57		55																																																																																												
52	51											40			37																																																																																														
				73			32				29				25			20																																																																																											
							16	15	14		12	11	10	9																																																																																															
G46 AVAILABLE	NOT APPLICABLE	34566-8233	9	G	BLUE	<table border="1"> <tr><td></td><td></td><td></td><td></td><td></td><td></td><td>77</td><td>76</td><td>75</td><td>74</td><td>73</td><td>72</td><td></td><td>70</td><td>69</td><td>68</td><td></td><td>66</td><td>65</td><td>64</td><td>63</td><td>62</td><td>61</td></tr> <tr><td></td><td></td><td></td><td></td><td></td><td></td><td></td><td></td><td>56</td><td>55</td><td></td><td>53</td><td>52</td><td></td><td></td><td></td><td></td><td>46</td><td>45</td><td></td><td>43</td><td>42</td><td></td></tr> <tr><td></td><td></td><td></td><td></td><td></td><td></td><td></td><td>38</td><td>37</td><td>36</td><td>35</td><td>34</td><td></td><td></td><td>31</td><td></td><td></td><td></td><td>26</td><td></td><td></td><td>23</td><td>22</td><td>21</td></tr> <tr><td>20</td><td>19</td><td></td><td>17</td><td>16</td><td>15</td><td>14</td><td>13</td><td></td><td></td><td></td><td></td><td></td><td>10</td><td></td><td></td><td>7</td><td>6</td><td></td><td>4</td><td></td><td></td><td></td><td>1</td></tr> </table>							77	76	75	74	73	72		70	69	68		66	65	64	63	62	61									56	55		53	52					46	45		43	42									38	37	36	35	34			31				26			23	22	21	20	19		17	16	15	14	13						10			7	6		4				1									
						77	76	75	74	73	72		70	69	68		66	65	64	63	62	61																																																																																							
								56	55		53	52					46	45		43	42																																																																																								
							38	37	36	35	34			31				26			23	22	21																																																																																						
20	19		17	16	15	14	13						10			7	6		4				1																																																																																						
G46 AVAILABLE	NOT APPLICABLE	34566-8243	9	G	BLUE	<table border="1"> <tr><td></td><td></td><td></td><td></td><td></td><td></td><td>77</td><td></td><td>75</td><td>74</td><td>73</td><td>72</td><td></td><td>70</td><td>69</td><td>68</td><td></td><td>66</td><td>65</td><td>64</td><td>63</td><td>62</td><td>61</td></tr> <tr><td></td><td></td><td></td><td></td><td></td><td></td><td></td><td></td><td>56</td><td>55</td><td></td><td>53</td><td>52</td><td></td><td></td><td></td><td></td><td>46</td><td>45</td><td></td><td>43</td><td>42</td><td></td></tr> <tr><td></td><td></td><td></td><td></td><td></td><td></td><td></td><td>38</td><td></td><td>36</td><td>35</td><td>34</td><td></td><td></td><td>31</td><td></td><td></td><td></td><td>26</td><td></td><td></td><td>23</td><td>22</td><td>21</td></tr> <tr><td>20</td><td>19</td><td></td><td>17</td><td>16</td><td>15</td><td>14</td><td>13</td><td></td><td></td><td></td><td></td><td></td><td>10</td><td></td><td></td><td>7</td><td>6</td><td></td><td>4</td><td></td><td></td><td></td><td>1</td></tr> </table>							77		75	74	73	72		70	69	68		66	65	64	63	62	61									56	55		53	52					46	45		43	42									38		36	35	34			31				26			23	22	21	20	19		17	16	15	14	13						10			7	6		4				1									
						77		75	74	73	72		70	69	68		66	65	64	63	62	61																																																																																							
								56	55		53	52					46	45		43	42																																																																																								
							38		36	35	34			31				26			23	22	21																																																																																						
20	19		17	16	15	14	13						10			7	6		4				1																																																																																						
G46 AVAILABLE	NOT APPLICABLE	34566-8253	9	G	BLUE	<table border="1"> <tr><td></td><td></td><td></td><td></td><td></td><td></td><td>77</td><td>76</td><td>75</td><td>74</td><td>73</td><td>72</td><td></td><td>70</td><td>69</td><td>68</td><td></td><td>66</td><td>65</td><td>64</td><td>63</td><td>62</td><td>61</td></tr> <tr><td></td><td></td><td></td><td></td><td></td><td></td><td></td><td></td><td>56</td><td>55</td><td></td><td>53</td><td>52</td><td></td><td></td><td></td><td></td><td>46</td><td>45</td><td></td><td>43</td><td>42</td><td></td></tr> <tr><td></td><td></td><td></td><td></td><td></td><td></td><td></td><td>38</td><td>37</td><td>36</td><td>35</td><td>34</td><td></td><td></td><td>31</td><td></td><td></td><td></td><td>26</td><td></td><td></td><td>23</td><td>22</td><td>21</td></tr> <tr><td>20</td><td>19</td><td></td><td>17</td><td>16</td><td>15</td><td>14</td><td>13</td><td></td><td></td><td></td><td></td><td></td><td>10</td><td></td><td></td><td>7</td><td>6</td><td></td><td>4</td><td></td><td></td><td></td><td>1</td></tr> </table>							77	76	75	74	73	72		70	69	68		66	65	64	63	62	61									56	55		53	52					46	45		43	42									38	37	36	35	34			31				26			23	22	21	20	19		17	16	15	14	13						10			7	6		4				1									
						77	76	75	74	73	72		70	69	68		66	65	64	63	62	61																																																																																							
								56	55		53	52					46	45		43	42																																																																																								
							38	37	36	35	34			31				26			23	22	21																																																																																						
20	19		17	16	15	14	13						10			7	6		4				1																																																																																						
G46 AVAILABLE	NOT APPLICABLE	34566-8263	9	G	BLUE	<table border="1"> <tr><td></td><td></td><td></td><td></td><td></td><td></td><td>77</td><td></td><td>75</td><td>74</td><td>73</td><td>72</td><td></td><td>70</td><td>69</td><td>68</td><td></td><td>66</td><td>65</td><td>64</td><td>63</td><td>62</td><td>61</td></tr> <tr><td></td><td></td><td></td><td></td><td></td><td></td><td></td><td></td><td>56</td><td>55</td><td></td><td>53</td><td>52</td><td></td><td></td><td></td><td></td><td>46</td><td>45</td><td></td><td>43</td><td>42</td><td></td></tr> <tr><td></td><td></td><td></td><td></td><td></td><td></td><td></td><td>38</td><td></td><td>36</td><td>35</td><td>34</td><td></td><td></td><td>31</td><td></td><td></td><td></td><td>26</td><td></td><td></td><td>23</td><td>22</td><td>21</td></tr> <tr><td>20</td><td>19</td><td></td><td>17</td><td>16</td><td>15</td><td>14</td><td>13</td><td></td><td></td><td></td><td></td><td></td><td>10</td><td></td><td></td><td>7</td><td>6</td><td></td><td>4</td><td></td><td></td><td></td><td>1</td></tr> </table>							77		75	74	73	72		70	69	68		66	65	64	63	62	61									56	55		53	52					46	45		43	42									38		36	35	34			31				26			23	22	21	20	19		17	16	15	14	13						10			7	6		4				1									
						77		75	74	73	72		70	69	68		66	65	64	63	62	61																																																																																							
								56	55		53	52					46	45		43	42																																																																																								
							38		36	35	34			31				26			23	22	21																																																																																						
20	19		17	16	15	14	13						10			7	6		4				1																																																																																						
G46 AVAILABLE	NOT APPLICABLE	34566-8273	9	G	BLUE	<table border="1"> <tr><td>80</td><td>79</td><td>78</td><td></td><td></td><td></td><td></td><td></td><td></td><td></td><td></td><td></td><td></td><td>71</td><td></td><td></td><td></td><td>67</td><td></td><td></td><td></td><td></td><td></td><td></td></tr> <tr><td>60</td><td>59</td><td>58</td><td>57</td><td></td><td></td><td></td><td></td><td>54</td><td></td><td></td><td></td><td></td><td>51</td><td>50</td><td>49</td><td>48</td><td>47</td><td></td><td></td><td>44</td><td></td><td></td><td>41</td></tr> <tr><td>40</td><td>39</td><td></td><td></td><td></td><td></td><td></td><td></td><td></td><td></td><td>33</td><td>32</td><td></td><td></td><td>30</td><td>29</td><td>28</td><td>27</td><td></td><td></td><td>25</td><td>24</td><td></td><td></td></tr> <tr><td></td><td></td><td></td><td></td><td></td><td></td><td></td><td></td><td></td><td></td><td></td><td>12</td><td>11</td><td></td><td>9</td><td>8</td><td></td><td></td><td></td><td>5</td><td></td><td>3</td><td>2</td><td></td></tr> </table>	80	79	78											71				67							60	59	58	57					54					51	50	49	48	47			44			41	40	39									33	32			30	29	28	27			25	24														12	11		9	8				5		3	2								
80	79	78											71				67																																																																																												
60	59	58	57					54					51	50	49	48	47			44			41																																																																																						
40	39									33	32			30	29	28	27			25	24																																																																																								
											12	11		9	8				5		3	2																																																																																							
G46 AVAILABLE	NOT APPLICABLE	34566-8283	9	G	BLUE	<table border="1"> <tr><td>80</td><td>79</td><td>78</td><td></td><td>76</td><td></td><td></td><td></td><td></td><td></td><td></td><td></td><td></td><td>71</td><td></td><td></td><td></td><td>67</td><td></td><td></td><td></td><td></td><td></td><td></td></tr> <tr><td>60</td><td>59</td><td>58</td><td>57</td><td></td><td></td><td></td><td></td><td>54</td><td></td><td></td><td></td><td></td><td>51</td><td>50</td><td>49</td><td>48</td><td>47</td><td></td><td></td><td>44</td><td></td><td></td><td>41</td></tr> <tr><td>40</td><td>39</td><td></td><td>37</td><td></td><td></td><td></td><td></td><td></td><td></td><td>33</td><td>32</td><td></td><td></td><td>30</td><td>29</td><td>28</td><td>27</td><td></td><td></td><td>25</td><td>24</td><td></td><td></td></tr> <tr><td></td><td></td><td></td><td></td><td></td><td></td><td></td><td></td><td></td><td></td><td></td><td>12</td><td>11</td><td></td><td>9</td><td>8</td><td></td><td></td><td></td><td>5</td><td></td><td>3</td><td>2</td><td></td></tr> </table>	80	79	78		76									71				67							60	59	58	57					54					51	50	49	48	47			44			41	40	39		37							33	32			30	29	28	27			25	24														12	11		9	8				5		3	2								
80	79	78		76									71				67																																																																																												
60	59	58	57					54					51	50	49	48	47			44			41																																																																																						
40	39		37							33	32			30	29	28	27			25	24																																																																																								
											12	11		9	8				5		3	2																																																																																							
G46 AVAILABLE	NOT APPLICABLE	34566-8293	9	A	BLACK	<table border="1"> <tr><td></td><td>71</td><td>70</td><td>69</td><td>68</td><td>67</td><td>66</td><td>65</td><td></td><td>63</td><td></td><td></td><td></td><td>60</td><td>59</td><td>58</td><td></td><td></td><td></td><td></td><td></td><td></td><td></td><td></td></tr> <tr><td></td><td></td><td>50</td><td>49</td><td>48</td><td>47</td><td></td><td></td><td></td><td>44</td><td></td><td>42</td><td></td><td></td><td>39</td><td>38</td><td></td><td></td><td>36</td><td>35</td><td>34</td><td>33</td><td></td><td></td></tr> <tr><td></td><td></td><td></td><td></td><td></td><td></td><td></td><td></td><td></td><td>31</td><td></td><td></td><td>28</td><td>26</td><td></td><td>24</td><td>23</td><td>22</td><td>21</td><td></td><td>19</td><td>18</td><td>17</td><td></td></tr> <tr><td></td><td></td><td></td><td></td><td></td><td></td><td></td><td></td><td></td><td></td><td></td><td>14</td><td>12</td><td></td><td></td><td></td><td></td><td></td><td>8</td><td>7</td><td>6</td><td>5</td><td></td><td>3</td><td>2</td><td>1</td></tr> </table>		71	70	69	68	67	66	65		63				60	59	58											50	49	48	47				44		42			39	38			36	35	34	33												31			28	26		24	23	22	21		19	18	17													14	12						8	7	6	5		3	2	1					
	71	70	69	68	67	66	65		63				60	59	58																																																																																														
		50	49	48	47				44		42			39	38			36	35	34	33																																																																																								
									31			28	26		24	23	22	21		19	18	17																																																																																							
											14	12						8	7	6	5		3	2	1																																																																																				
G46 AVAILABLE	NOT APPLICABLE	34566-8313	9	A	BLACK	<table border="1"> <tr><td></td><td>71</td><td>70</td><td>69</td><td></td><td>67</td><td>66</td><td>65</td><td></td><td>63</td><td></td><td></td><td></td><td>60</td><td>59</td><td>58</td><td></td><td></td><td></td><td></td><td></td><td></td><td></td><td></td><td></td></tr> <tr><td></td><td></td><td>50</td><td>49</td><td>48</td><td>47</td><td></td><td></td><td></td><td>44</td><td></td><td>42</td><td>41</td><td></td><td>39</td><td>38</td><td></td><td></td><td>36</td><td>35</td><td>34</td><td>33</td><td></td><td></td><td></td></tr> <tr><td></td><td></td><td></td><td></td><td></td><td></td><td></td><td></td><td></td><td>31</td><td></td><td></td><td>28</td><td>26</td><td></td><td>24</td><td>23</td><td>22</td><td>21</td><td></td><td>19</td><td>18</td><td>17</td><td></td><td></td></tr> <tr><td></td><td></td><td></td><td></td><td></td><td></td><td></td><td></td><td></td><td></td><td></td><td></td><td>12</td><td></td><td></td><td></td><td></td><td></td><td>8</td><td>7</td><td>6</td><td>5</td><td></td><td>3</td><td>2</td><td>1</td></tr> </table>		71	70	69		67	66	65		63				60	59	58												50	49	48	47				44		42	41		39	38			36	35	34	33													31			28	26		24	23	22	21		19	18	17															12						8	7	6	5		3	2	1		
	71	70	69		67	66	65		63				60	59	58																																																																																														
		50	49	48	47				44		42	41		39	38			36	35	34	33																																																																																								
									31			28	26		24	23	22	21		19	18	17																																																																																							
												12						8	7	6	5		3	2	1																																																																																				
G46 AVAILABLE	NOT APPLICABLE	34566-8323	9	A	BLACK	<table border="1"> <tr><td></td><td>71</td><td>70</td><td>69</td><td>68</td><td>67</td><td>66</td><td>65</td><td></td><td>63</td><td></td><td></td><td></td><td>60</td><td></td><td></td><td></td><td></td><td></td><td></td><td></td><td></td><td></td><td></td><td></td><td>53</td></tr> <tr><td></td><td></td><td>50</td><td>49</td><td></td><td>47</td><td></td><td></td><td></td><td>44</td><td></td><td>42</td><td></td><td></td><td>39</td><td>38</td><td></td><td></td><td>36</td><td></td><td></td><td></td><td></td><td></td><td></td><td>33</td></tr> <tr><td></td><td></td><td></td><td></td><td></td><td></td><td></td><td></td><td></td><td>31</td><td></td><td></td><td>28</td><td>26</td><td></td><td>24</td><td>23</td><td>22</td><td>21</td><td></td><td>19</td><td>18</td><td>17</td><td></td><td></td></tr> <tr><td></td><td></td><td></td><td></td><td></td><td></td><td></td><td></td><td></td><td></td><td></td><td></td><td>14</td><td>12</td><td></td><td></td><td></td><td></td><td></td><td>8</td><td>7</td><td>6</td><td>5</td><td></td><td>2</td><td>1</td></tr> </table>		71	70	69	68	67	66	65		63				60												53			50	49		47				44		42			39	38			36							33										31			28	26		24	23	22	21		19	18	17															14	12						8	7	6	5		2	1
	71	70	69	68	67	66	65		63				60												53																																																																																				
		50	49		47				44		42			39	38			36							33																																																																																				
									31			28	26		24	23	22	21		19	18	17																																																																																							
												14	12						8	7	6	5		2	1																																																																																				

QUALITY SYMBOLS ▽ = 0 ▽ = 0 ▽ = 0 ▽ = 0 ▽ = 0 ▽ = 0 ▽ = 0 ▽ = 0 ▽ = 0 ▽ = 0	THIS DRAWING CONTAINS INFORMATION THAT IS PROPRIETARY TO MOLEX ELECTRONIC TECHNOLOGIES, LLC AND SHOULD NOT BE USED WITHOUT WRITTEN PERMISSION		DIMENSION UNITS		SCALE		
	2017/04/12	2017/04/21	GENERAL TOLERANCES (UNLESS SPECIFIED)	MM			DRWN BY DATE
	EC NO: 115716	DRWN: TYE	ANGULAR TOL ± °	TYE	2016/05/06		CHKD BY DATE
	REV: APPR: JDENG02	CHKD: JDENG02	4 PLACES ±	3 PLACES ±	2 PLACES ±		1 PLACE ±
DRAFT WHERE APPLICABLE MUST REMAIN WITHIN DIMENSIONS		DRAWING SIZE		THIRD ANGLE PROJECTION		APPR BY DATE SKRAJENDRANA 2016/08/22	
G50		SERIES		MATERIAL NUMBER		CUSTOMER	
		34566		SEE BOM TABLE		GENERAL MARKET	
		DOCUMENT NUMBER		DOC TYPE		DOC PART SHEET NUMBER	
		SD-34566-001		PSD		000 90 OF 93	

STATUS	GM PART #	MATERIAL #	WIRE DRESS OPTION	KEY OPTION	COLOR (TPA)	NUMBERS INDICATE CAVITIES OPEN FOR CIRCUITS																																																																											
AVAILABLE	NOT APPLICABLE	34566-8333	9	A	BLACK	<table border="1"> <tr><td>71</td><td>70</td><td>69</td><td>68</td><td>67</td><td>66</td><td>65</td><td>63</td><td>60</td><td>58</td><td>53</td></tr> <tr><td></td><td>50</td><td>49</td><td>48</td><td>47</td><td></td><td></td><td>44</td><td>42</td><td>41</td><td>39</td><td>38</td><td>36</td><td>33</td></tr> <tr><td colspan="2">73</td><td></td><td>31</td><td></td><td></td><td></td><td>28</td><td>26</td><td>24</td><td>23</td><td>22</td><td>21</td><td>19</td><td>18</td><td>17</td></tr> <tr><td></td><td></td><td></td><td></td><td>14</td><td></td><td>12</td><td></td><td></td><td>8</td><td>7</td><td>6</td><td>5</td><td>3</td><td>2</td><td>1</td></tr> </table>	71	70	69	68	67	66	65	63	60	58	53		50	49	48	47			44	42	41	39	38	36	33	73			31				28	26	24	23	22	21	19	18	17					14		12			8	7	6	5	3	2	1																		
71	70	69	68	67	66	65	63	60	58	53																																																																							
	50	49	48	47			44	42	41	39	38	36	33																																																																				
73			31				28	26	24	23	22	21	19	18	17																																																																		
				14		12			8	7	6	5	3	2	1																																																																		
AVAILABLE	NOT APPLICABLE	34566-8343	9	A	BLACK	<table border="1"> <tr><td>71</td><td>70</td><td>69</td><td>68</td><td>67</td><td>66</td><td>65</td><td>63</td><td>60</td><td>59</td><td></td><td></td><td></td><td></td><td></td><td></td></tr> <tr><td></td><td>50</td><td>49</td><td></td><td>47</td><td></td><td></td><td>44</td><td>42</td><td></td><td>39</td><td>38</td><td></td><td>36</td><td>35</td><td>34</td><td>33</td></tr> <tr><td colspan="2">73</td><td></td><td>31</td><td></td><td></td><td></td><td>28</td><td>26</td><td>24</td><td>23</td><td>22</td><td>21</td><td></td><td>19</td><td>18</td><td>17</td></tr> <tr><td></td><td></td><td></td><td></td><td>14</td><td></td><td>12</td><td></td><td></td><td>8</td><td>7</td><td>6</td><td>5</td><td></td><td>2</td><td>1</td><td></td></tr> </table>	71	70	69	68	67	66	65	63	60	59								50	49		47			44	42		39	38		36	35	34	33	73			31				28	26	24	23	22	21		19	18	17					14		12			8	7	6	5		2	1									
71	70	69	68	67	66	65	63	60	59																																																																								
	50	49		47			44	42		39	38		36	35	34	33																																																																	
73			31				28	26	24	23	22	21		19	18	17																																																																	
				14		12			8	7	6	5		2	1																																																																		
AVAILABLE	NOT APPLICABLE	34566-8353	9	A	BLACK	<table border="1"> <tr><td>72</td><td></td><td></td><td></td><td></td><td></td><td></td><td>64</td><td>62</td><td>61</td><td></td><td></td><td></td><td>57</td><td>56</td><td>55</td><td>54</td><td>53</td></tr> <tr><td>52</td><td>51</td><td></td><td></td><td></td><td></td><td></td><td>46</td><td>45</td><td>43</td><td>41</td><td>40</td><td></td><td>37</td><td></td><td></td><td></td><td></td></tr> <tr><td colspan="2">73</td><td></td><td>32</td><td></td><td>30</td><td>29</td><td>27</td><td>25</td><td></td><td></td><td></td><td></td><td>20</td><td></td><td></td><td></td><td></td></tr> <tr><td></td><td></td><td></td><td>16</td><td>15</td><td></td><td>13</td><td></td><td>11</td><td>10</td><td>9</td><td></td><td></td><td>4</td><td></td><td></td><td></td><td></td></tr> </table>	72							64	62	61				57	56	55	54	53	52	51						46	45	43	41	40		37					73			32		30	29	27	25					20								16	15		13		11	10	9			4							
72							64	62	61				57	56	55	54	53																																																																
52	51						46	45	43	41	40		37																																																																				
73			32		30	29	27	25					20																																																																				
			16	15		13		11	10	9			4																																																																				
AVAILABLE	NOT APPLICABLE	34566-8363	9	A	BLACK	<table border="1"> <tr><td>72</td><td></td><td></td><td></td><td>68</td><td></td><td></td><td>64</td><td>62</td><td>61</td><td></td><td></td><td></td><td>57</td><td>56</td><td>55</td><td>54</td><td>53</td></tr> <tr><td>52</td><td>51</td><td></td><td></td><td></td><td></td><td></td><td>46</td><td>45</td><td>43</td><td></td><td>40</td><td></td><td>37</td><td></td><td></td><td></td><td></td></tr> <tr><td colspan="2">73</td><td></td><td>32</td><td></td><td>30</td><td>29</td><td>27</td><td>25</td><td></td><td></td><td></td><td></td><td>20</td><td></td><td></td><td></td><td></td></tr> <tr><td></td><td></td><td></td><td>16</td><td>15</td><td>14</td><td>13</td><td></td><td>11</td><td>10</td><td>9</td><td></td><td></td><td>5</td><td>4</td><td></td><td></td><td></td></tr> </table>	72				68			64	62	61				57	56	55	54	53	52	51						46	45	43		40		37					73			32		30	29	27	25					20								16	15	14	13		11	10	9			5	4						
72				68			64	62	61				57	56	55	54	53																																																																
52	51						46	45	43		40		37																																																																				
73			32		30	29	27	25					20																																																																				
			16	15	14	13		11	10	9			5	4																																																																			
AVAILABLE	NOT APPLICABLE	34566-8373	9	A	BLACK	<table border="1"> <tr><td>72</td><td></td><td></td><td></td><td></td><td></td><td></td><td>64</td><td>62</td><td>61</td><td></td><td>59</td><td>58</td><td>57</td><td>56</td><td>55</td><td>54</td><td></td></tr> <tr><td>52</td><td>51</td><td></td><td></td><td></td><td></td><td></td><td>48</td><td>46</td><td>45</td><td>43</td><td>41</td><td>40</td><td></td><td>37</td><td></td><td>35</td><td>34</td></tr> <tr><td colspan="2">73</td><td></td><td>32</td><td></td><td>30</td><td>29</td><td>27</td><td>25</td><td></td><td></td><td></td><td></td><td>20</td><td></td><td></td><td></td><td></td></tr> <tr><td></td><td></td><td></td><td>16</td><td>15</td><td></td><td>13</td><td></td><td>11</td><td>10</td><td>9</td><td></td><td></td><td>4</td><td>3</td><td></td><td></td><td></td></tr> </table>	72							64	62	61		59	58	57	56	55	54		52	51						48	46	45	43	41	40		37		35	34	73			32		30	29	27	25					20								16	15		13		11	10	9			4	3						
72							64	62	61		59	58	57	56	55	54																																																																	
52	51						48	46	45	43	41	40		37		35	34																																																																
73			32		30	29	27	25					20																																																																				
			16	15		13		11	10	9			4	3																																																																			
AVAILABLE	NOT APPLICABLE	34566-8383	9	A	BLACK	<table border="1"> <tr><td>72</td><td></td><td></td><td></td><td></td><td></td><td></td><td>64</td><td>62</td><td>61</td><td></td><td>59</td><td></td><td>57</td><td>56</td><td>55</td><td>54</td><td></td></tr> <tr><td>52</td><td>51</td><td></td><td></td><td></td><td></td><td></td><td>46</td><td>45</td><td>43</td><td></td><td>40</td><td></td><td>37</td><td></td><td>35</td><td>34</td><td></td></tr> <tr><td colspan="2">73</td><td></td><td>32</td><td></td><td>30</td><td>29</td><td>27</td><td>25</td><td></td><td></td><td></td><td></td><td>20</td><td></td><td></td><td></td><td></td></tr> <tr><td></td><td></td><td></td><td>16</td><td>15</td><td></td><td>13</td><td></td><td>11</td><td>10</td><td>9</td><td></td><td></td><td>4</td><td></td><td></td><td></td><td></td></tr> </table>	72							64	62	61		59		57	56	55	54		52	51						46	45	43		40		37		35	34		73			32		30	29	27	25					20								16	15		13		11	10	9			4							
72							64	62	61		59		57	56	55	54																																																																	
52	51						46	45	43		40		37		35	34																																																																	
73			32		30	29	27	25					20																																																																				
			16	15		13		11	10	9			4																																																																				
AVAILABLE	NOT APPLICABLE	34566-8393	0	A	BLACK	<table border="1"> <tr><td>72</td><td></td><td>70</td><td></td><td></td><td></td><td></td><td></td><td>63</td><td>62</td><td></td><td></td><td></td><td></td><td>56</td><td>55</td><td>54</td><td>53</td></tr> <tr><td>52</td><td>51</td><td></td><td>49</td><td>48</td><td></td><td></td><td></td><td>43</td><td></td><td></td><td></td><td></td><td></td><td>36</td><td>35</td><td>34</td><td>33</td></tr> <tr><td colspan="2">73</td><td></td><td></td><td>31</td><td>30</td><td>29</td><td>28</td><td>27</td><td></td><td>24</td><td>23</td><td>22</td><td>21</td><td>20</td><td>19</td><td>18</td><td>17</td></tr> <tr><td></td><td></td><td></td><td></td><td>16</td><td>15</td><td>14</td><td>13</td><td>12</td><td></td><td>10</td><td>9</td><td>8</td><td>7</td><td>6</td><td></td><td>3</td><td>2</td><td>1</td></tr> </table>	72		70						63	62					56	55	54	53	52	51		49	48				43						36	35	34	33	73				31	30	29	28	27		24	23	22	21	20	19	18	17					16	15	14	13	12		10	9	8	7	6		3	2	1		
72		70						63	62					56	55	54	53																																																																
52	51		49	48				43						36	35	34	33																																																																
73				31	30	29	28	27		24	23	22	21	20	19	18	17																																																																
				16	15	14	13	12		10	9	8	7	6		3	2	1																																																															
AVAILABLE	NOT APPLICABLE	34566-8413	0	A	BLACK	<table border="1"> <tr><td>72</td><td></td><td>70</td><td></td><td></td><td></td><td></td><td></td><td>63</td><td>62</td><td></td><td></td><td></td><td></td><td>56</td><td>55</td><td>54</td><td>53</td></tr> <tr><td>52</td><td>51</td><td></td><td>49</td><td>48</td><td></td><td></td><td></td><td>43</td><td></td><td></td><td></td><td></td><td></td><td>36</td><td>35</td><td>34</td><td>33</td></tr> <tr><td colspan="2">73</td><td></td><td></td><td>31</td><td>30</td><td>29</td><td>28</td><td>27</td><td></td><td>24</td><td>23</td><td>22</td><td>21</td><td>20</td><td>19</td><td>18</td><td>17</td></tr> <tr><td></td><td></td><td></td><td></td><td>16</td><td>15</td><td>14</td><td>12</td><td></td><td>10</td><td>9</td><td>8</td><td>7</td><td>6</td><td></td><td>3</td><td>2</td><td>1</td></tr> </table>	72		70						63	62					56	55	54	53	52	51		49	48				43						36	35	34	33	73				31	30	29	28	27		24	23	22	21	20	19	18	17					16	15	14	12		10	9	8	7	6		3	2	1			
72		70						63	62					56	55	54	53																																																																
52	51		49	48				43						36	35	34	33																																																																
73				31	30	29	28	27		24	23	22	21	20	19	18	17																																																																
				16	15	14	12		10	9	8	7	6		3	2	1																																																																
AVAILABLE	NOT APPLICABLE	34566-8423	0	C	BLUE	<table border="1"> <tr><td></td><td></td><td></td><td>69</td><td></td><td>67</td><td></td><td></td><td>64</td><td>62</td><td>61</td><td>60</td><td></td><td></td><td>57</td><td></td><td></td><td>54</td></tr> <tr><td>52</td><td>51</td><td>50</td><td>49</td><td>48</td><td></td><td>46</td><td>45</td><td>44</td><td>42</td><td>41</td><td></td><td></td><td></td><td>37</td><td></td><td></td><td>34</td><td>33</td></tr> <tr><td colspan="2">73</td><td></td><td></td><td></td><td></td><td>28</td><td>27</td><td>26</td><td>25</td><td></td><td></td><td></td><td></td><td></td><td></td><td></td><td></td><td></td></tr> <tr><td></td><td></td><td></td><td>16</td><td>15</td><td>14</td><td>13</td><td>12</td><td>11</td><td>10</td><td>9</td><td>8</td><td>7</td><td></td><td></td><td></td><td></td><td></td><td></td></tr> </table>				69		67			64	62	61	60			57			54	52	51	50	49	48		46	45	44	42	41				37			34	33	73						28	27	26	25													16	15	14	13	12	11	10	9	8	7						
			69		67			64	62	61	60			57			54																																																																
52	51	50	49	48		46	45	44	42	41				37			34	33																																																															
73						28	27	26	25																																																																								
			16	15	14	13	12	11	10	9	8	7																																																																					
AVAILABLE	NOT APPLICABLE	34566-8433	0	H	ST GRY	<table border="1"> <tr><td></td><td>79</td><td>78</td><td>77</td><td>76</td><td>75</td><td>74</td><td>73</td><td></td><td></td><td>69</td><td></td><td></td><td></td><td></td><td></td><td></td><td></td><td>61</td></tr> <tr><td></td><td></td><td></td><td></td><td></td><td></td><td></td><td></td><td></td><td></td><td></td><td></td><td></td><td></td><td></td><td></td><td></td><td></td><td></td></tr> <tr><td>20</td><td></td><td></td><td></td><td></td><td></td><td></td><td></td><td></td><td></td><td>9</td><td></td><td></td><td></td><td>5</td><td></td><td></td><td></td><td>1</td></tr> </table>		79	78	77	76	75	74	73			69								61																				20										9				5				1																		
	79	78	77	76	75	74	73			69								61																																																															
20										9				5				1																																																															


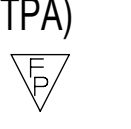

<b>QUALITY SYMBOLS</b> 	THIS DRAWING CONTAINS INFORMATION THAT IS PROPRIETARY TO MOLEX ELECTRONIC TECHNOLOGIES, LLC AND SHOULD NOT BE USED WITHOUT WRITTEN PERMISSION									
	2017/04/12	2017/04/21	GENERAL TOLERANCES (UNLESS SPECIFIED)		DIMENSION UNITS	SCALE				
	EC NO: 115716	DRWN: TYE	ANGULAR TOL ± °		MM					
	CHKD: JDENG02	REV APPR: JDENG02	4 PLACES ±	DRWN BY DATE		TYE 2016/05/06				
	G50		3 PLACES ±	CHKD BY DATE						
			2 PLACES ±	APPR BY DATE		SKRAJENDRANA 2016/08/22				
			1 PLACE ±	DRAWING SIZE		THIRD ANGLE PROJECTION				
			0 PLACES ±	DRAFT WHERE APPLICABLE MUST REMAIN WITHIN DIMENSIONS		D				

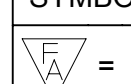
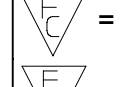
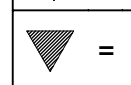
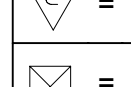
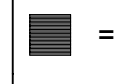
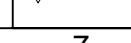

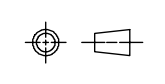


STATUS	GM PART #	MATERIAL #	WIRE DRESS OPTION	KEY OPTION	COLOR (TPA)	NUMBERS INDICATE CAVITIES OPEN FOR CIRCUITS																																																																																
AVAILABLE	NOT APPLICABLE	34566-8443	0	C	BLUE	<table border="1"> <tr><td></td><td>71</td><td>70</td><td></td><td></td><td>67</td><td>66</td><td>65</td><td>64</td><td></td><td></td><td>61</td><td>60</td><td>59</td><td>58</td><td>57</td><td></td><td></td><td>54</td><td></td></tr> <tr><td>52</td><td>51</td><td>50</td><td></td><td></td><td>48</td><td>47</td><td></td><td>45</td><td>44</td><td></td><td></td><td>41</td><td>39</td><td>38</td><td>37</td><td></td><td></td><td>34</td><td>33</td></tr> <tr><td colspan="2"></td><td colspan="2">73</td><td></td><td>32</td><td></td><td></td><td>28</td><td>27</td><td></td><td>25</td><td>23</td><td></td><td></td><td></td><td></td><td></td><td>18</td><td>17</td></tr> <tr><td colspan="2"></td><td colspan="2"></td><td></td><td>16</td><td>15</td><td>14</td><td>13</td><td>12</td><td>11</td><td>10</td><td>9</td><td>8</td><td>7</td><td>6</td><td>5</td><td></td><td></td><td></td></tr> </table>		71	70			67	66	65	64			61	60	59	58	57			54		52	51	50			48	47		45	44			41	39	38	37			34	33			73			32			28	27		25	23						18	17						16	15	14	13	12	11	10	9	8	7	6	5			
	71	70			67	66	65	64			61	60	59	58	57			54																																																																				
52	51	50			48	47		45	44			41	39	38	37			34	33																																																																			
		73			32			28	27		25	23						18	17																																																																			
					16	15	14	13	12	11	10	9	8	7	6	5																																																																						
AVAILABLE	NOT APPLICABLE	34566-8453	0	A	BLACK	<table border="1"> <tr><td>72</td><td>71</td><td>70</td><td>69</td><td>68</td><td></td><td>66</td><td>65</td><td>64</td><td>63</td><td></td><td></td><td>60</td><td></td><td></td><td>57</td><td>56</td><td></td><td>54</td><td></td></tr> <tr><td>52</td><td>51</td><td>50</td><td>49</td><td>48</td><td></td><td>46</td><td>45</td><td>44</td><td>43</td><td>42</td><td></td><td>40</td><td>39</td><td>38</td><td>37</td><td>36</td><td></td><td>34</td><td></td></tr> <tr><td colspan="2"></td><td colspan="2">73</td><td></td><td>32</td><td>31</td><td>30</td><td>29</td><td>28</td><td></td><td></td><td></td><td>23</td><td>22</td><td>21</td><td>20</td><td></td><td></td><td></td></tr> <tr><td colspan="2"></td><td colspan="2"></td><td></td><td></td><td>15</td><td>14</td><td>13</td><td>12</td><td></td><td></td><td></td><td>7</td><td>6</td><td>5</td><td>4</td><td></td><td></td><td>2</td></tr> </table>	72	71	70	69	68		66	65	64	63			60			57	56		54		52	51	50	49	48		46	45	44	43	42		40	39	38	37	36		34				73			32	31	30	29	28				23	22	21	20										15	14	13	12				7	6	5	4			2
72	71	70	69	68		66	65	64	63			60			57	56		54																																																																				
52	51	50	49	48		46	45	44	43	42		40	39	38	37	36		34																																																																				
		73			32	31	30	29	28				23	22	21	20																																																																						
						15	14	13	12				7	6	5	4			2																																																																			
AVAILABLE	NOT APPLICABLE	34566-8463	0	B	ST.GRAY	<table border="1"> <tr><td>72</td><td></td><td>70</td><td></td><td>68</td><td></td><td></td><td></td><td></td><td></td><td>62</td><td>61</td><td>60</td><td>59</td><td></td><td></td><td></td><td>55</td><td></td><td></td></tr> <tr><td>52</td><td></td><td></td><td></td><td>48</td><td>47</td><td>46</td><td></td><td>44</td><td>43</td><td></td><td>41</td><td>40</td><td></td><td>38</td><td>37</td><td>36</td><td>35</td><td></td><td></td></tr> <tr><td colspan="2"></td><td colspan="2">73</td><td></td><td></td><td></td><td>30</td><td></td><td></td><td></td><td></td><td></td><td></td><td>22</td><td>21</td><td>20</td><td>19</td><td>18</td><td></td></tr> <tr><td colspan="2"></td><td colspan="2"></td><td></td><td>16</td><td>15</td><td>14</td><td></td><td></td><td></td><td></td><td>8</td><td>6</td><td></td><td>4</td><td></td><td></td><td></td><td>1</td></tr> </table>	72		70		68						62	61	60	59				55			52				48	47	46		44	43		41	40		38	37	36	35					73					30							22	21	20	19	18							16	15	14					8	6		4				1
72		70		68						62	61	60	59				55																																																																					
52				48	47	46		44	43		41	40		38	37	36	35																																																																					
		73					30							22	21	20	19	18																																																																				
					16	15	14					8	6		4				1																																																																			
AVAILABLE	NOT APPLICABLE	34566-8473	0	C	BLUE	<table border="1"> <tr><td></td><td>71</td><td>70</td><td></td><td></td><td>67</td><td>66</td><td>65</td><td>64</td><td></td><td>62</td><td>61</td><td>60</td><td></td><td>58</td><td>57</td><td></td><td>55</td><td>54</td><td></td></tr> <tr><td>52</td><td>51</td><td>50</td><td>49</td><td>48</td><td>47</td><td></td><td>45</td><td>44</td><td></td><td>42</td><td>41</td><td></td><td></td><td>38</td><td>37</td><td></td><td>35</td><td>34</td><td>33</td></tr> <tr><td colspan="2"></td><td colspan="2">73</td><td></td><td>32</td><td></td><td></td><td>28</td><td>27</td><td>26</td><td>25</td><td></td><td></td><td></td><td></td><td></td><td>19</td><td>18</td><td>17</td></tr> <tr><td colspan="2"></td><td colspan="2"></td><td></td><td>16</td><td>15</td><td>14</td><td>13</td><td>12</td><td>11</td><td>10</td><td>9</td><td>8</td><td>7</td><td>6</td><td>5</td><td></td><td></td><td></td></tr> </table>		71	70			67	66	65	64		62	61	60		58	57		55	54		52	51	50	49	48	47		45	44		42	41			38	37		35	34	33			73			32			28	27	26	25						19	18	17						16	15	14	13	12	11	10	9	8	7	6	5			
	71	70			67	66	65	64		62	61	60		58	57		55	54																																																																				
52	51	50	49	48	47		45	44		42	41			38	37		35	34	33																																																																			
		73			32			28	27	26	25						19	18	17																																																																			
					16	15	14	13	12	11	10	9	8	7	6	5																																																																						
AVAILABLE	NOT APPLICABLE	34566-8483	0	A	BLACK	<table border="1"> <tr><td>72</td><td>71</td><td>70</td><td>69</td><td>68</td><td></td><td>66</td><td>65</td><td>64</td><td>63</td><td></td><td>61</td><td>60</td><td></td><td></td><td>57</td><td>56</td><td></td><td>54</td><td>53</td></tr> <tr><td>52</td><td>51</td><td>50</td><td>49</td><td>48</td><td></td><td>46</td><td>45</td><td>44</td><td>43</td><td>42</td><td></td><td>40</td><td>39</td><td>38</td><td>37</td><td>36</td><td></td><td>34</td><td>33</td></tr> <tr><td colspan="2"></td><td colspan="2">73</td><td></td><td>32</td><td>31</td><td>30</td><td>29</td><td>28</td><td></td><td></td><td></td><td>23</td><td>22</td><td>21</td><td>20</td><td></td><td></td><td></td></tr> <tr><td colspan="2"></td><td colspan="2"></td><td></td><td></td><td>15</td><td>14</td><td>13</td><td>12</td><td></td><td></td><td></td><td>7</td><td>6</td><td>5</td><td>4</td><td></td><td></td><td>2</td></tr> </table>	72	71	70	69	68		66	65	64	63		61	60			57	56		54	53	52	51	50	49	48		46	45	44	43	42		40	39	38	37	36		34	33			73			32	31	30	29	28				23	22	21	20										15	14	13	12				7	6	5	4			2
72	71	70	69	68		66	65	64	63		61	60			57	56		54	53																																																																			
52	51	50	49	48		46	45	44	43	42		40	39	38	37	36		34	33																																																																			
		73			32	31	30	29	28				23	22	21	20																																																																						
						15	14	13	12				7	6	5	4			2																																																																			
AVAILABLE	NOT APPLICABLE	34566-8493	0	B	ST.GRAY	<table border="1"> <tr><td>72</td><td></td><td>70</td><td></td><td>68</td><td>67</td><td></td><td></td><td></td><td></td><td>62</td><td>61</td><td>60</td><td>59</td><td></td><td></td><td></td><td>55</td><td></td><td></td></tr> <tr><td>52</td><td></td><td></td><td></td><td>48</td><td>47</td><td>46</td><td></td><td>44</td><td>43</td><td></td><td></td><td>40</td><td></td><td></td><td></td><td></td><td></td><td></td><td>33</td></tr> <tr><td colspan="2"></td><td colspan="2">73</td><td></td><td></td><td></td><td>30</td><td></td><td></td><td></td><td></td><td></td><td></td><td>22</td><td>21</td><td>20</td><td>19</td><td>18</td><td>17</td></tr> <tr><td colspan="2"></td><td colspan="2"></td><td></td><td>16</td><td>15</td><td>14</td><td></td><td></td><td></td><td></td><td>8</td><td>6</td><td></td><td>4</td><td></td><td></td><td></td><td></td></tr> </table>	72		70		68	67					62	61	60	59				55			52				48	47	46		44	43			40							33			73					30							22	21	20	19	18	17						16	15	14					8	6		4				
72		70		68	67					62	61	60	59				55																																																																					
52				48	47	46		44	43			40							33																																																																			
		73					30							22	21	20	19	18	17																																																																			
					16	15	14					8	6		4																																																																							
AVAILABLE	NOT APPLICABLE	34566-8513	9	A	BLACK	<table border="1"> <tr><td>72</td><td>71</td><td>70</td><td>69</td><td>68</td><td></td><td>66</td><td>65</td><td>64</td><td>63</td><td></td><td>61</td><td>60</td><td></td><td></td><td>57</td><td>56</td><td></td><td>54</td><td>53</td></tr> <tr><td>52</td><td>51</td><td>50</td><td>49</td><td>48</td><td></td><td>46</td><td>45</td><td>44</td><td>43</td><td></td><td></td><td>40</td><td>39</td><td>38</td><td>37</td><td>36</td><td></td><td>34</td><td>33</td></tr> <tr><td colspan="2"></td><td colspan="2">73</td><td></td><td>32</td><td>31</td><td>30</td><td>29</td><td>28</td><td></td><td></td><td></td><td>24</td><td>23</td><td>22</td><td></td><td></td><td></td><td></td></tr> <tr><td colspan="2"></td><td colspan="2"></td><td></td><td></td><td>15</td><td>14</td><td>13</td><td>12</td><td></td><td></td><td></td><td>7</td><td>6</td><td>5</td><td></td><td></td><td></td><td>2</td></tr> </table>	72	71	70	69	68		66	65	64	63		61	60			57	56		54	53	52	51	50	49	48		46	45	44	43			40	39	38	37	36		34	33			73			32	31	30	29	28				24	23	22											15	14	13	12				7	6	5				2
72	71	70	69	68		66	65	64	63		61	60			57	56		54	53																																																																			
52	51	50	49	48		46	45	44	43			40	39	38	37	36		34	33																																																																			
		73			32	31	30	29	28				24	23	22																																																																							
						15	14	13	12				7	6	5				2																																																																			
AVAILABLE	NOT APPLICABLE	34566-8523	9	B	ST.GRAY	<table border="1"> <tr><td>72</td><td></td><td>70</td><td></td><td>68</td><td></td><td></td><td></td><td></td><td></td><td>62</td><td>61</td><td></td><td></td><td></td><td></td><td></td><td>55</td><td></td><td></td></tr> <tr><td>52</td><td></td><td></td><td></td><td>48</td><td>47</td><td>46</td><td></td><td></td><td>43</td><td></td><td></td><td>40</td><td></td><td></td><td></td><td></td><td></td><td></td><td></td></tr> <tr><td colspan="2"></td><td colspan="2">73</td><td></td><td></td><td></td><td>30</td><td></td><td></td><td></td><td></td><td></td><td></td><td>22</td><td>21</td><td>20</td><td>19</td><td>18</td><td>17</td></tr> <tr><td colspan="2"></td><td colspan="2"></td><td></td><td>16</td><td>15</td><td>14</td><td></td><td></td><td></td><td></td><td>8</td><td>6</td><td></td><td>4</td><td></td><td></td><td></td><td>2</td></tr> </table>	72		70		68						62	61						55			52				48	47	46			43			40										73					30							22	21	20	19	18	17						16	15	14					8	6		4				2
72		70		68						62	61						55																																																																					
52				48	47	46			43			40																																																																										
		73					30							22	21	20	19	18	17																																																																			
					16	15	14					8	6		4				2																																																																			
AVAILABLE	NOT APPLICABLE	34566-8533	9	C	BLUE	<table border="1"> <tr><td></td><td></td><td>70</td><td></td><td></td><td>67</td><td>66</td><td>65</td><td>64</td><td></td><td></td><td>61</td><td>60</td><td></td><td></td><td>57</td><td></td><td></td><td>54</td><td></td></tr> <tr><td>52</td><td>51</td><td>50</td><td>49</td><td>48</td><td>47</td><td></td><td>45</td><td>44</td><td></td><td></td><td>41</td><td></td><td></td><td></td><td>37</td><td></td><td></td><td>34</td><td>33</td></tr> <tr><td colspan="2"></td><td colspan="2">73</td><td></td><td>32</td><td></td><td></td><td>28</td><td>27</td><td></td><td>25</td><td></td><td></td><td></td><td></td><td></td><td></td><td>18</td><td>17</td></tr> <tr><td colspan="2"></td><td colspan="2"></td><td></td><td>16</td><td>15</td><td>14</td><td>13</td><td>12</td><td>11</td><td>10</td><td></td><td></td><td></td><td></td><td></td><td></td><td></td><td></td></tr> </table>			70			67	66	65	64			61	60			57			54		52	51	50	49	48	47		45	44			41				37			34	33			73			32			28	27		25							18	17						16	15	14	13	12	11	10								
		70			67	66	65	64			61	60			57			54																																																																				
52	51	50	49	48	47		45	44			41				37			34	33																																																																			
		73			32			28	27		25							18	17																																																																			
					16	15	14	13	12	11	10																																																																											
AVAILABLE	NOT APPLICABLE	34566-8543	9	C	BLUE	<table border="1"> <tr><td></td><td>71</td><td></td><td>69</td><td></td><td>67</td><td>66</td><td>65</td><td>64</td><td></td><td></td><td></td><td>60</td><td></td><td></td><td>57</td><td></td><td></td><td>54</td><td></td></tr> <tr><td>52</td><td>51</td><td>50</td><td>49</td><td>48</td><td>47</td><td>46</td><td>45</td><td>44</td><td></td><td></td><td></td><td></td><td></td><td></td><td>37</td><td></td><td></td><td>34</td><td>33</td></tr> <tr><td colspan="2"></td><td colspan="2">73</td><td></td><td>32</td><td></td><td></td><td>28</td><td>27</td><td></td><td></td><td></td><td></td><td></td><td></td><td></td><td></td><td></td><td></td></tr> <tr><td colspan="2"></td><td colspan="2"></td><td></td><td>16</td><td>15</td><td>14</td><td>13</td><td>12</td><td>11</td><td>10</td><td>9</td><td>8</td><td>7</td><td></td><td></td><td></td><td></td><td></td></tr> </table>		71		69		67	66	65	64				60			57			54		52	51	50	49	48	47	46	45	44							37			34	33			73			32			28	27																16	15	14	13	12	11	10	9	8	7					
	71		69		67	66	65	64				60			57			54																																																																				
52	51	50	49	48	47	46	45	44							37			34	33																																																																			
		73			32			28	27																																																																													
					16	15	14	13	12	11	10	9	8	7																																																																								

G50

<b>QUALITY SYMBOLS</b> 	THIS DRAWING CONTAINS INFORMATION THAT IS PROPRIETARY TO MOLEX ELECTRONIC TECHNOLOGIES, LLC AND SHOULD NOT BE USED WITHOUT WRITTEN PERMISSION									
	2017/04/12	2017/04/21	GENERAL TOLERANCES (UNLESS SPECIFIED)		DIMENSION UNITS	SCALE				
	DRWN: TYE	CHKD: JDENG02	ANGULAR TOL ± °		MM					
	EC NO: 115716	REV: APPR: JDENG02	4 PLACES ±	3 PLACES ±	DRWN BY DATE		TYE 2016/05/06			
			2 PLACES ±	1 PLACE ±	CHKD BY DATE					
			0 PLACES ±	DRAFT WHERE APPLICABLE MUST REMAIN WITHIN DIMENSIONS		APPR BY DATE		SKRAJENDRANA 2016/08/22		
					DRAWING SIZE		THIRD ANGLE PROJECTION			
					D					
							SERIES	MATERIAL NUMBER	CUSTOMER	
							34566	SEE BOM TABLE	GENERAL MARKET	
						DOCUMENT NUMBER	DOC TYPE	DOC PART	SHEET NUMBER	
						SD-34566-001	PSD	000	92 OF 93	

STATUS	GM PART #	MATERIAL #	WIRE DRESS OPTION	KEY OPTION 	COLOR (TPA) 	NUMBERS INDICATE CAVITIES OPEN FOR CIRCUITS 																																																																																
G50 AVAILABLE	NOT APPLICABLE	34566-8553	0	B	ST.GRAY	<table border="1"> <tr> <td>72</td><td></td><td></td><td></td><td>68</td><td></td><td></td><td></td><td></td><td>62</td><td>61</td><td>60</td><td>59</td><td></td><td></td><td></td><td>55</td><td></td><td></td><td></td> </tr> <tr> <td>52</td><td></td><td></td><td></td><td></td><td></td><td></td><td>46</td><td></td><td>43</td><td>41</td><td>40</td><td></td><td></td><td></td><td></td><td></td><td></td><td></td><td></td> </tr> <tr> <td colspan="2">73</td><td></td><td></td><td></td><td></td><td></td><td></td><td></td><td></td><td></td><td></td><td></td><td></td><td>22</td><td>21</td><td>20</td><td></td><td></td><td></td> </tr> <tr> <td></td><td></td><td>16</td><td>15</td><td>14</td><td></td><td></td><td></td><td></td><td></td><td></td><td>8</td><td></td><td>6</td><td></td><td></td><td>4</td><td></td><td></td><td></td> </tr> </table>	72				68					62	61	60	59				55				52							46		43	41	40									73														22	21	20						16	15	14							8		6			4			
						72				68					62	61	60	59				55																																																																
						52							46		43	41	40																																																																					
73														22	21	20																																																																						
		16	15	14							8		6			4																																																																						

<b>QUALITY SYMBOLS</b>  = 0  = 0  = 0  = 0  = 0  = 0  = 0  = 0	THIS DRAWING CONTAINS INFORMATION THAT IS PROPRIETARY TO MOLEX ELECTRONIC TECHNOLOGIES, LLC AND SHOULD NOT BE USED WITHOUT WRITTEN PERMISSION				DIMENSION UNITS: <b>MM</b> SCALE:		 <b>MX123</b> 66/73/80CKT HRNS CONN ASSY	
	EC NO: 115716 DRWN: TYE CHKD: JDENG02 REV APPR:		2017/04/12 2017/04/21		GENERAL TOLERANCES (UNLESS SPECIFIED)		DRWN BY: <b>TYE</b> DATE: <b>2016/05/06</b> CHKD BY: DATE:	
	4 PLACES ±		ANGULAR TOL ± °		APPR BY: <b>SKRAJENDRANA</b> DATE: <b>2016/08/22</b>		SERIES: <b>34566</b> MATERIAL NUMBER: <b>SEE BOM TABLE</b> CUSTOMER: <b>GENERAL MARKET</b>	
	3 PLACES ±		2 PLACES ±		DRAFT WHERE APPLICABLE MUST REMAIN WITHIN DIMENSIONS		DRAWING SIZE: <b>D</b> THIRDO ANGLE PROJECTION: 	
	2 PLACES ±		1 PLACE ±		DOCUMENT NUMBER: <b>SD-34566-001</b> DOC TYPE: <b>PSD</b> DOC PART: <b>000</b> SHEET NUMBER: <b>93 OF 93</b>			
	1 PLACE ±		0 PLACES ±					
	DRAFT WHERE APPLICABLE MUST REMAIN WITHIN DIMENSIONS							
	G50							
	RELEASE STATUS: P1 RELEASE DATE: 21.04.2017 03:31:16							