

# PART No. PMH15GY

for more information visit

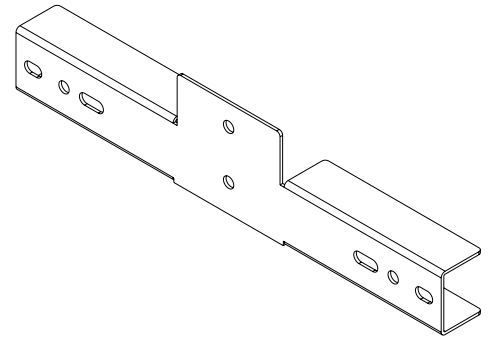
[www.hammfg.com](http://www.hammfg.com)

Data subject to change without notice

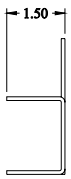
Isometric drawing Not to Scale



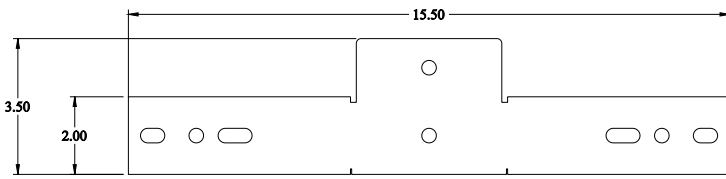
TOP VIEW



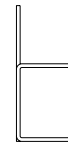
ISOMETRIC VIEW



SIDE VIEW



FRONT VIEW



SIDE VIEW



BOTTOM VIEW