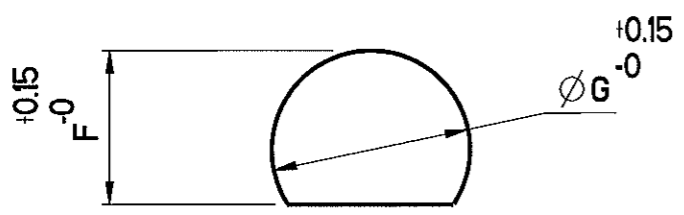


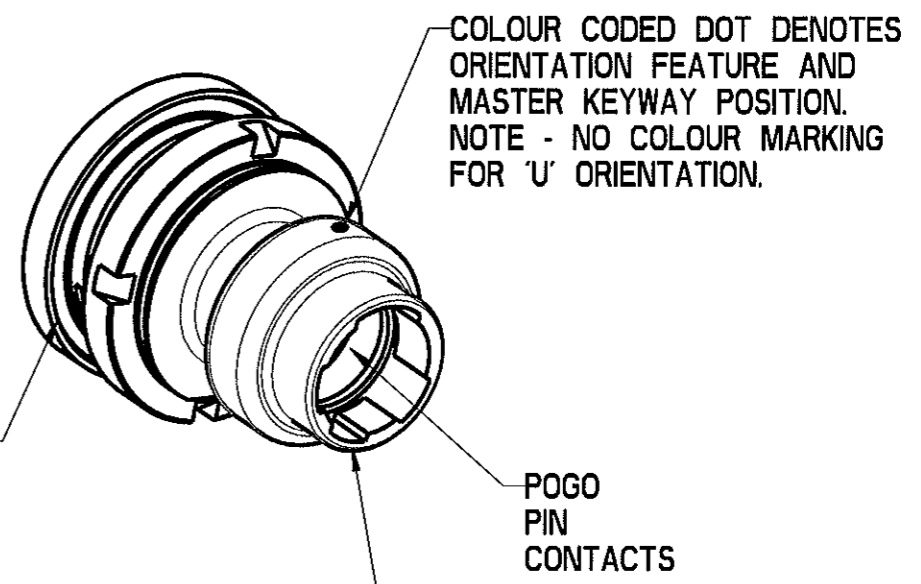
POLARISATION LETTER	COLOUR CODING PAINT BAND
N	DARK BLUE
A	RED
B	GREEN
C	GREY
D	YELLOW
V	VIOLET
W	ORANGE
X	LIGHT BLUE
Y	BROWN
Z	WHITE
U	N/A



PANEL CUT OUT SEE TABLE 3

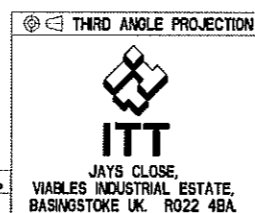
CONTACT ARRANGEMENT	DIM 'F'	DIM 'G'
7	16.50	17.10
14	19.40	20.10
19	20.55	21.10

CONTACT ARRANGEMENT	DIA. 'A'	DIA. 'B'	DIA. 'C'	DIM. 'D'	THREAD 'E'
7	11.30	15.00	21.00	16.35	M17x1-6g
14	14.05	17.75	23.75	19.25	M20x1-6g
19	15.30	19.00	25.00	20.40	M21x1-6g



CONNECTOR CONSISTS OF:-
SHELLS - STAINLESS STEEL
CONTACTS - COPPER ALLOY
SEALS - FLOUROSILICONE RUBBER
INSULATORS - POLYESTER

B	BAS10399	JS	05-SEP-11	JS
A	BAS10381	JS	09-MAY-11	
REV	ECR DETAILS	DRAWN	DATE	CHK'd



DO NOT SCALE / IF IN DOUBT, ASK.
 LINEAR TOLERANCES
 X = ±0.4
 X.X = ±0.2
 X.XX = ±0.1
 ANGULAR TOLERANCES
 X = ±2°
 X.X = ±0.5°
 SURFACE FINISH ✓
 UNLESS OTHERWISE STATED REMOVE BURRS AND BREAK SHARP EDGES MAX.

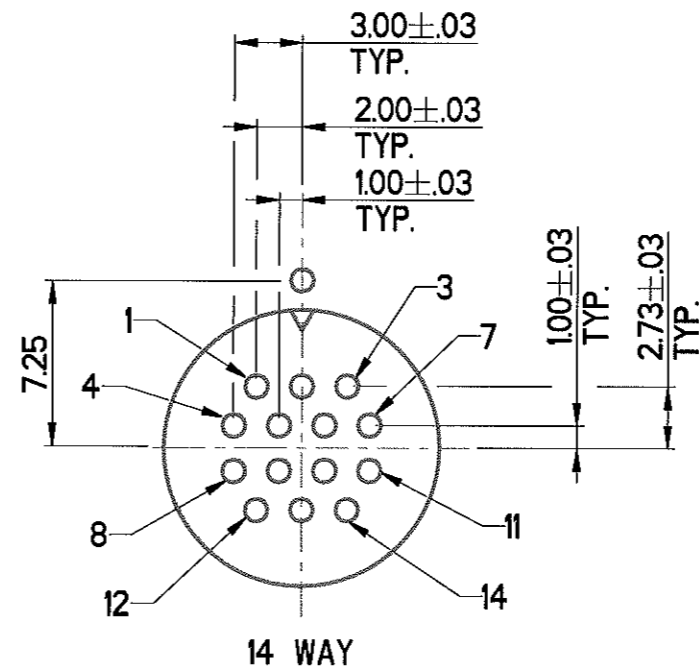
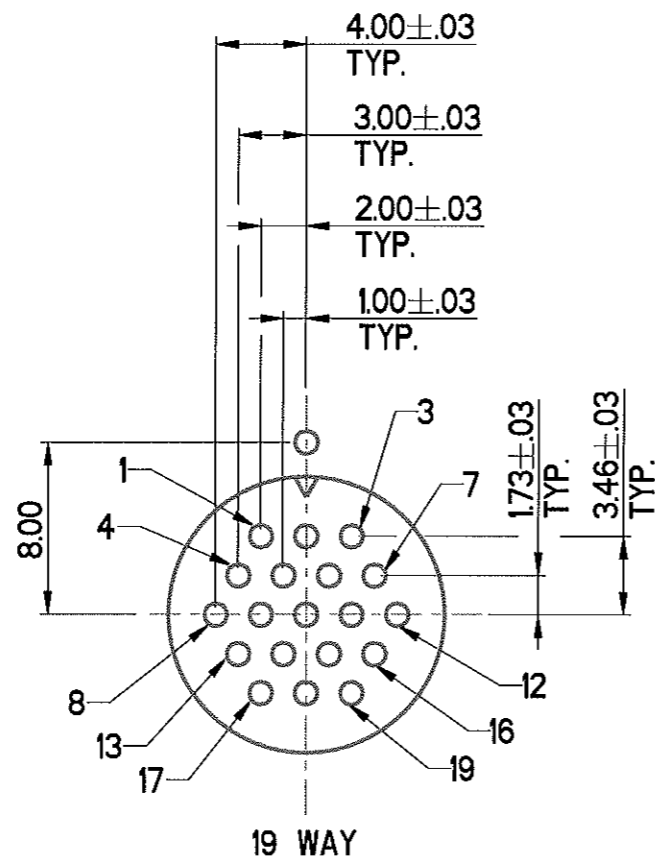
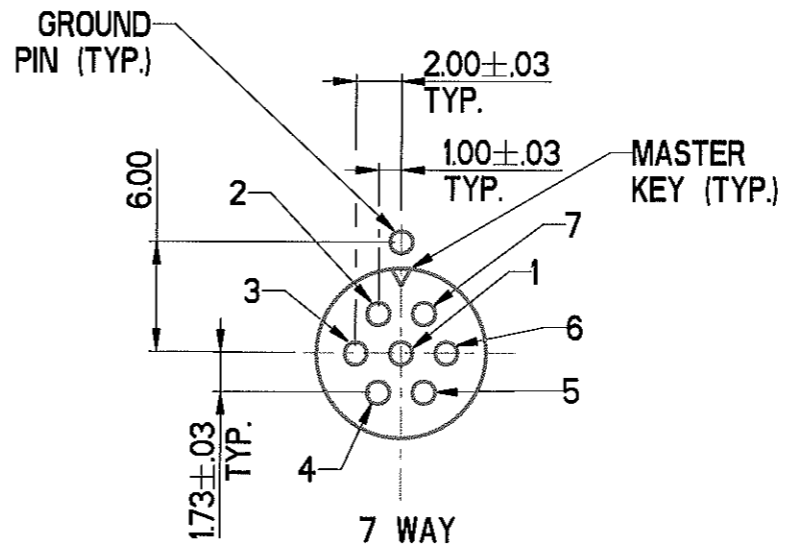
MATERIAL
 FINISH
 TREATMENT

Ref.	CofG (x)	0.000
MODEL	CofG (y)	0.000
	CofG (z)	0.000
DRAWN JS	S.A.	()
CHK'd	VOL	()
APPR'd	MASS	0.000mg (0.000drams)

FIRST USED ON -
 REVERSE GENDER HM JAMUT PLUG, PC TAIL.
 7, 14 AND 19 WAY.
CU76281Y
 (MODEL No. 078344_7WAY)
 SCALE 2:1 SHEET 1 of 2 Concept Rev 1.4

NOTE

1. ALL DIMENSIONS ARE NOMINAL UNLESS STATED OTHERWISE.
2. POLARISATION KEYING ARRANGEMENTS IN - N,A,B,C,D,V,W,X,Y,Z & U.
NOTE - 'U' ORIENTATION SHOWN IS FOR UNIVERSAL KEYING WHERE THERE WILL BE NO MINOR KEYS.
3. CONNECTOR IMAGES DEPICTED ARE A 7 WAY VARIANT.
4. IP67 SEALED.
5. SHELL FINISHES - Rohs COMPLIANT :-
SHELL - BLACK ELECTROLESS NICKEL, 500 HOURS SALT SPRAY RESISTANT.
CONTACTS - GOLD.



**STANDARD CONTACT LAYOUTS
VIEWED FROM THE MATING FACE
(NOT TO SCALE)**

<p>ITT JAYS CLOSE, VIABLES INDUSTRIAL ESTATE, BASINGSTOKE UK. RG22 4BA</p>	THIRD ANGLE PROJECTION		DO NOT SCALE / IF IN DOUBT, ASK.		MATERIAL	Ref.	CoFG (x)	0.000	FIRST USED ON -
	LINEAR TOLERANCES		GENERAL		FINISH	MODEL	CoFG (y)	0.000	REVERSE GENDER HM JAMUT PLUG, PC TAIL. 7, 14 AND 19 WAY.
	X = ±0.4 X.X = ±0.2 X.XX = ±0.1		UNLESS OTHERWISE STATED REMOVE BURRS AND BREAK SHARP EDGES MAX.		TREATMENT	DRAWN JS	CoFG (z)	0.000	
	ANGULAR TOLERANCES		SURFACE FINISH			CHK'd	S.A.	()	CU76281Y (MODEL No. 078344_7WAY)
X = ±2° X.X = ±0.5°		✓			APPR'd	VOL	()		
ALL DIMENSIONS ARE IN mm UNLESS STATED					MASS	0.000mg (0.000drams)	SCALE 2:1	SHEET 2 of 2	Concept Rev 1.4

SEE SHEET 1	JS	09-MAY-11	SS
REV ECR DETAILS	DRAWN	DATE	CHK'd

This is issued in strict confidence on condition that it is not used as a basis for manufacture or sale and that it is not copied printed or disclosed to a third party either wholly or in part without the prior written consent of ITT Corporation 0 06-Jan-11 All rights reserved.