

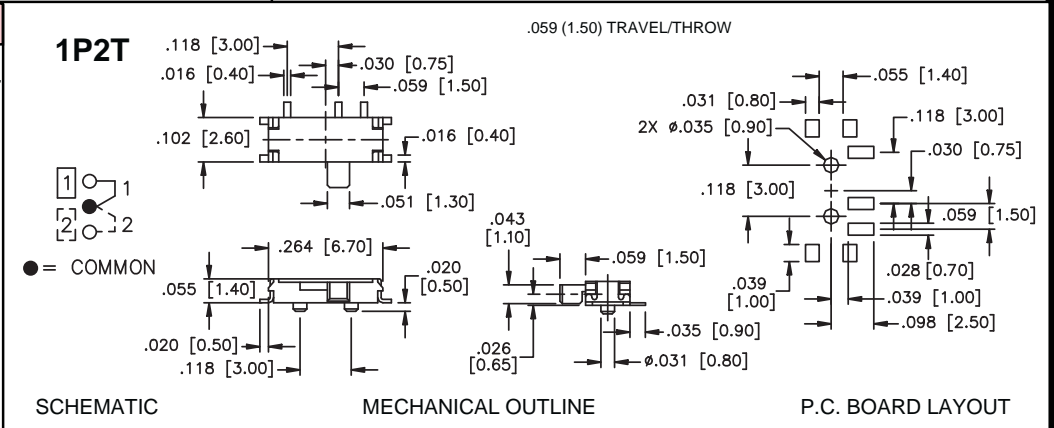
# MA Series

## Microminiature Memory Card Slide Switches

SPECIFICATIONS	FEATURES
<p><b>Contact rating:</b> 300 mA at 4 VDC</p> <p><b>Initial contact resistance:</b> 70 milliohms max.</p> <p><b>Insulation resistance:</b> 100 megohms min. at 100 VDC</p> <p><b>Dielectric strength:</b> 100 VAC for 1 minute</p> <p><b>Electrical life:</b> 10,000 cycles min.</p> <p><b>Operating temperature range:</b> -10°C to +60°C</p> <p><b>Actuation force:</b> 200g ± 100g</p> <p><b>Solder heat resistance:</b> Reflow - 260°C max. for 1 min. Manual - iron temperature 305 °C max. for 6 seconds.</p> <p><b>Washing not recommended</b></p>	<ul style="list-style-type: none"> <li>● <b>Ultra-compact size.</b></li> <li>● <b>Low Profile.</b></li> <li>● <b>Surface mounting with restraining bosses.</b></li> <li>● <b>Reflow or hand solderable.</b></li> </ul>
MATERIALS	
<p><b>Contacts:</b> Silver plated beryllium copper</p> <p><b>Terminals:</b> Silver plated brass</p> <p><b>Base:</b> Liquid crystal polymer      <b>Cover:</b> Tin plated steel</p> <p><b>Actuator:</b> Liquid crystal polymer</p>	

MODEL NO.
<b>MA12R</b>

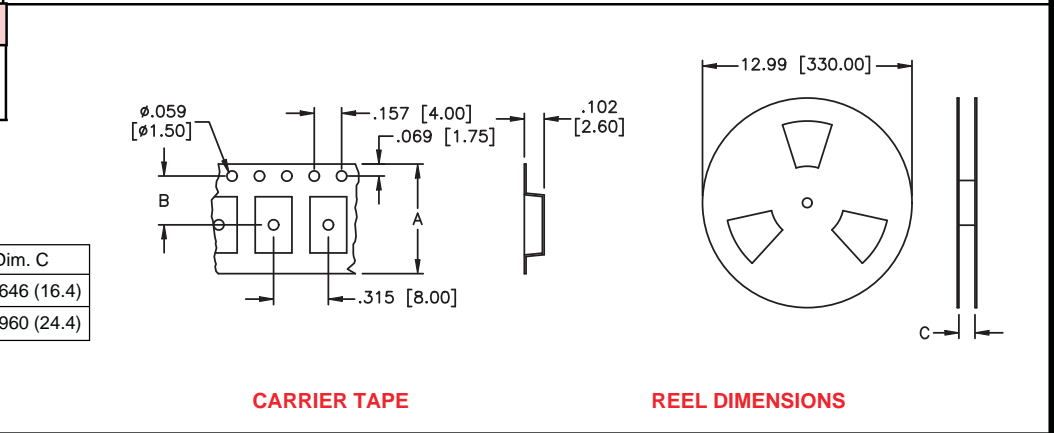
RIGHT ANGLE ACTUATOR



MODEL NO.
<b>MA12R/TR</b>
<b>MA13R/TR</b>

Same as above models except supplied on tape & reel as shown.

Model No.	Dim. A	Dim. B	Dim. C
MA12R/TR	.630 (16.0)	.217 (5.5)	.646 (16.4)
MA13R/TR	.945 (24.0)	.453 (11.5)	.960 (24.4)



SPECIFICATIONS SUBJECT TO CHANGE WITHOUT NOTICE