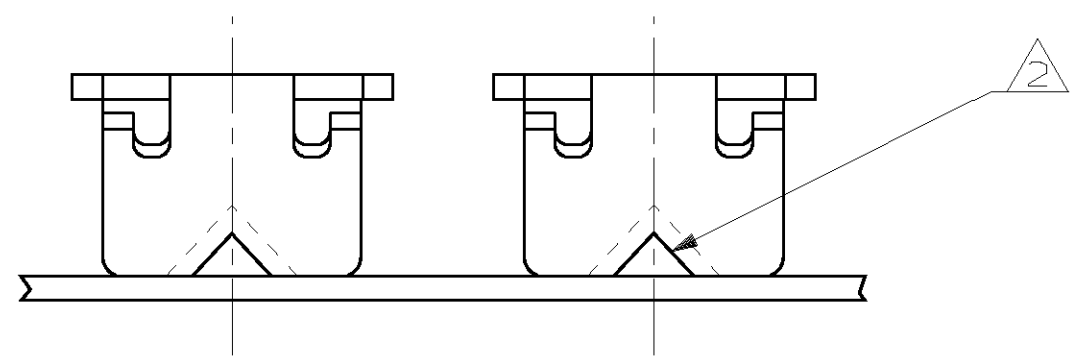
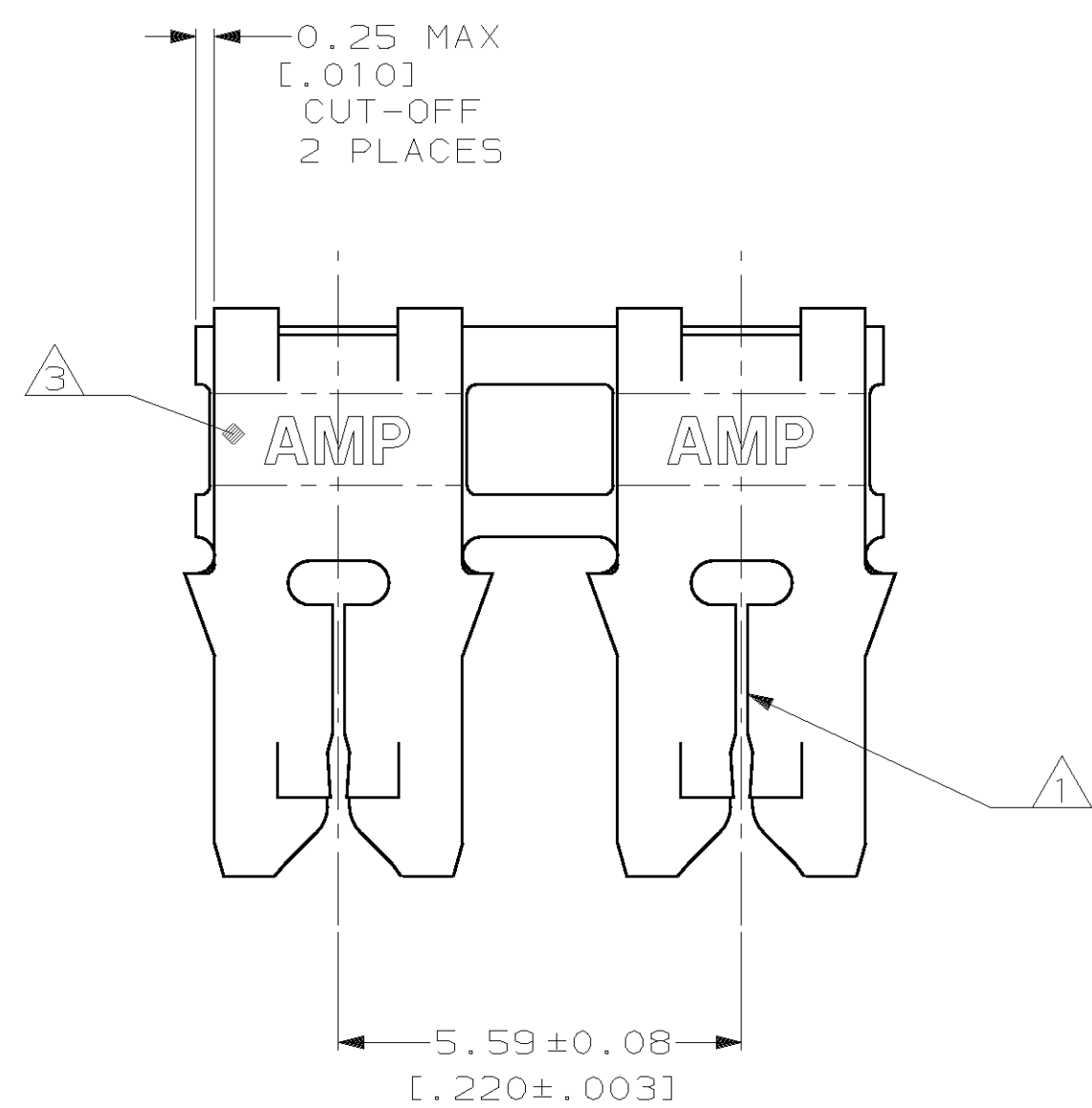
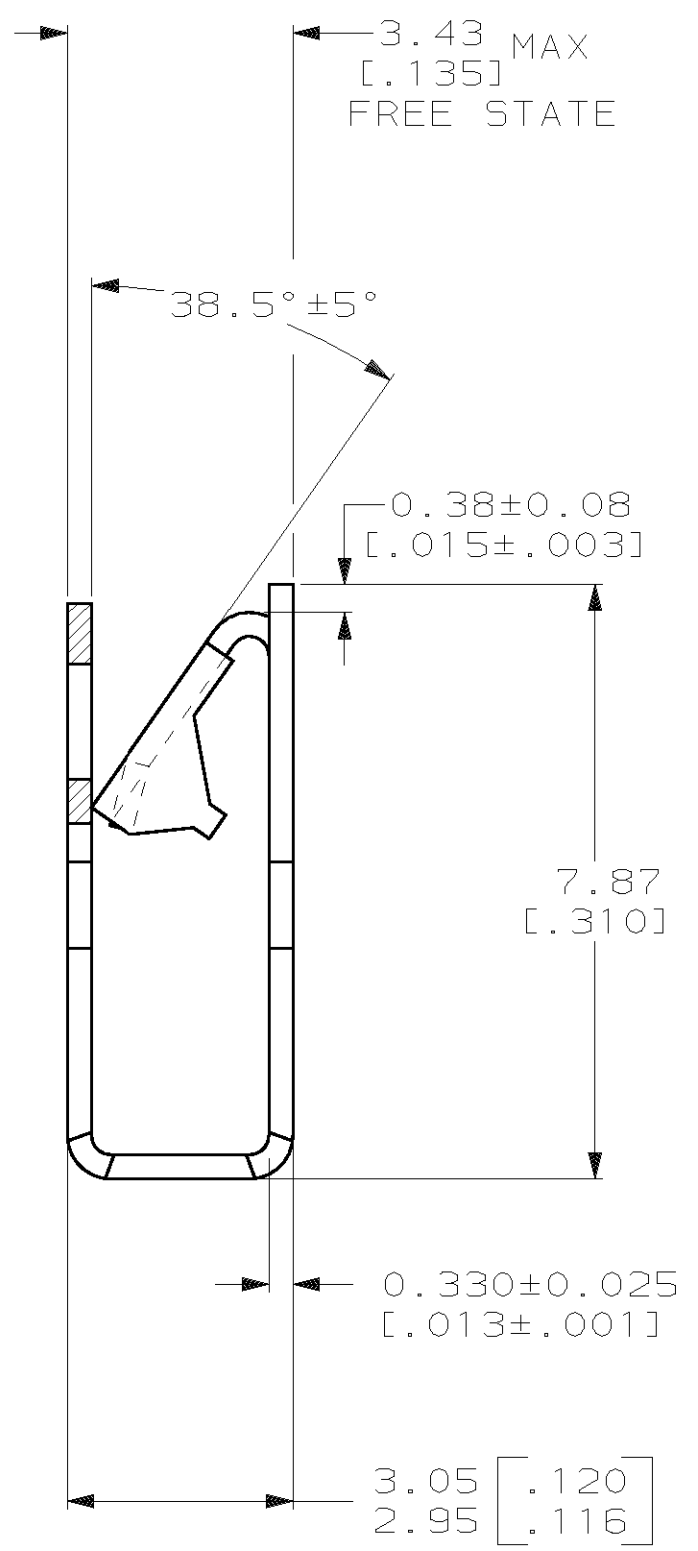
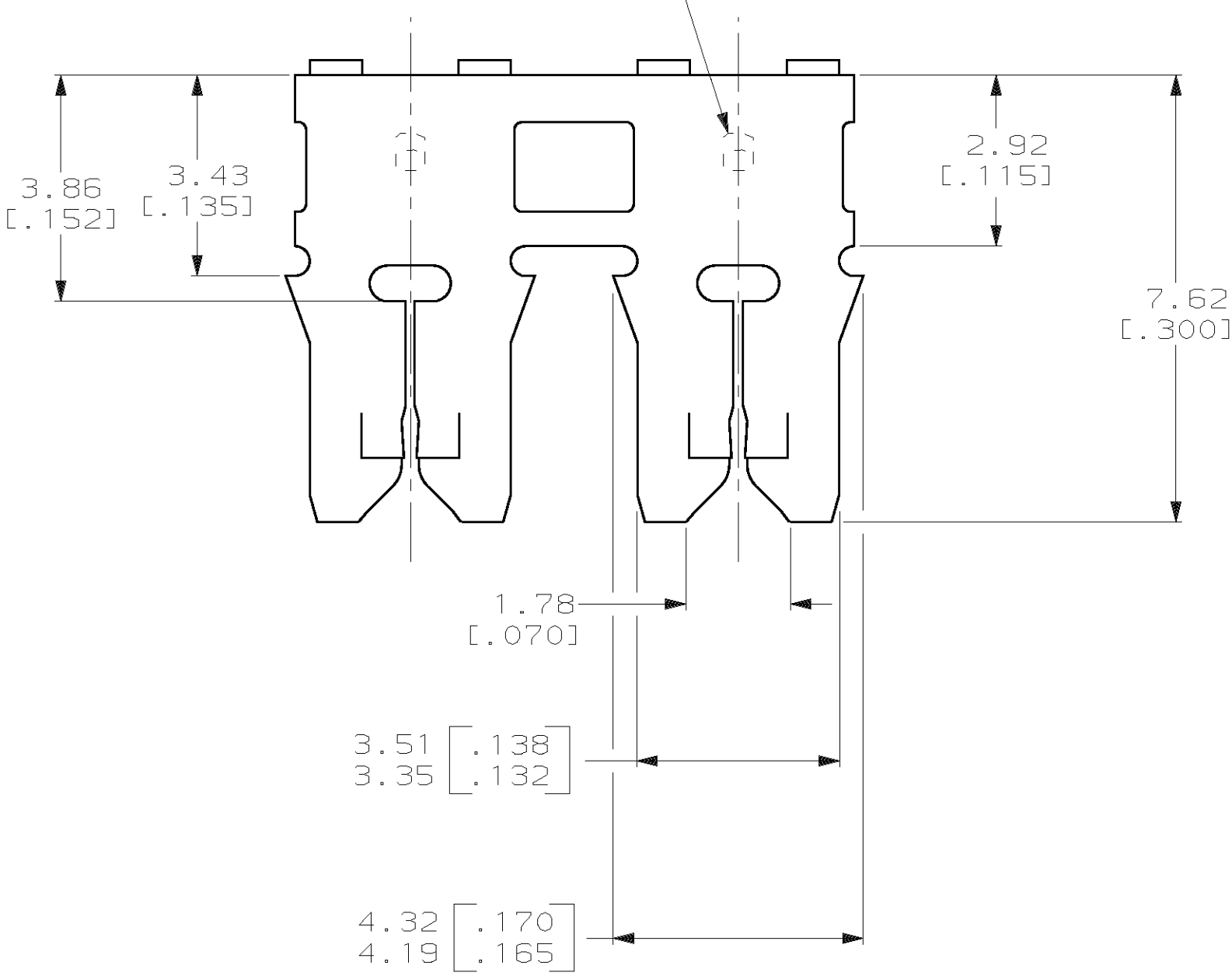


LOC	DIST	P	F	ZONE	LTR	DESCRIPTION	DATE	APPD
AF	50				B	REVISED PER 063A-0451-00	24JUL00	MF-KR



- ① SLOT TERMINATES EITHER A SINGLE OR DOUBLE MAGNET WIRE OF THE SAME SIZE AND TYPE. COPPER RANGE: 0.25-0.36mm [#30-#27] AWG.
- ② POKE-IN ACCEPTS A 0.5-0.9mm² [#20-#18] AWG SOLID OR FUSED STRANDED LEAD WIRE.
- ③ BLUE COLORING ON THIS SURFACE TO PROVIDE CODING OF MAGNET WIRE RANGE

IDENTIFICATION NUMBER 6 FOR MAGNET WIRE RANGE



63885-1

PART NO

DO NOT SCALE PRINT. UNLESS SPECIFIED DIMENSIONS IN mm [INCHES] TOLERANCES ON: 2 PLC DEC ± 0.25 [.010] 3 PLC DEC ± - ANGLES ± -	DR 22/NOV/95 R. GRZYBOWSKI	AMP Incorporated Harrisburg, PA 17105-3608		
	CHK 22/NOV/95 M.S.FEHER			NAME
MATERIAL 4M BRASS	APPD 22/NOV/95 G. PORTA	TERMINAL, POKE-IN, DUAL LOOSE PIECE, 300 SERIES MAG-MATE™		
FINISH 0.002032 [.000080] MIN TIN PLATE	APPD 22/NOV/95 TERRY L. SHUTTER			
	PRODUCT SPEC 108-2012	SIZE	CAGE CODE	DRAWING NO
	APPLICATION SPEC 114-2046	00779	63885	
	WEIGHT -	SCALE 10:1	SHEET	1 OF 1

THIS DRAWING IS A CONTROLLED DOCUMENT FOR AMP INCORPORATED. IT IS SUBJECT TO CHANGE AND THE CONTROLLING ENGINEERING ORGANIZATION SHOULD BE CONTACTED FOR THE LATEST REVISION.