



MODEL: GT-111PS-1
PRODUCT: Electromagnetic Buzzer
EDITION: A/2016

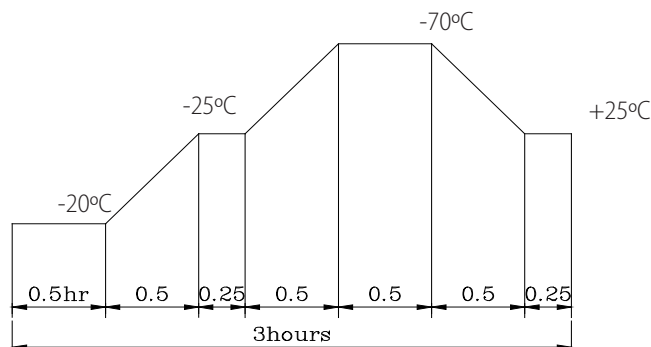
THIS SPECIFICATION APPLIES TO THE ELECTROMAGNETIC BUZZER

SPECIFICATION

item	unit	specification	condition
oscillation frequency	Hz	2048	Vo-p=1/2 duty, square wave
operating voltage	Vo-p	1.0 ~ 3.0	
rated voltage	Vo-p	1.5	
current consumption	mA	MAX.15	At rated voltage
sound pressure level	dB	MIN.70	At 10cm at rated voltage
coil resistance	Ω	50 ± 7	
operating temperature	°C	-20 ~ +60	
storage temperature	°C	-20 ~ +70	
dimension	mm	φ12.0 × H5.4	See attached drawing
weight (max)	gram	2.0	
housing material		PPO	
leading pin		Tin plated brass(Sn)	See attached drawing
environmental protection regulation		RoHS	

RELIABILITY TEST

item	test condition and requirement
high temperature test (storage)	After being placed in a chamber with 80±2°C for 96 hours and then being placed in normal condition for 2 hours. Allowable variation of SPL after test: ±10dB.
low temperature test (storage)	After being placed in a chamber with -30±2°C for 96 hours and then being placed in normal condition for 2 hours. Allowable variation of SPL after test: ±10dB.
humidity test	After being placed in a chamber with 90 ~ 95% R.H. at 40±2°C for 96 hours and then being placed in normal condition for 2 hours. Allowable variation of SPL after test: ±10dB.
temperature cycle test	The part will be subjected to 5 cycles. One cycle shall be consist of:



Allowable variation of SPL after test: 10dB.



MODEL: GT-111PS-1
PRODUCT: Electromagnetic Buzzer
EDITION: A/2016

RELIABILITY TEST (CONTINUED)

item	test condition and requirement
drop test	Drop on a hard wood board of 4cm thick, any directions , 6 times, at the height of 75 cm . Allowable variation of SPL after test: ± 10 dB
vibration test	After being applied vibration of amplitude of 1.5mm with 10 to 55 Hz band of vibration frequency to each of 3 perpendicular directions for 2 hours . Allowable variation of SPL after test: ± 10 dB.
solderability test	Lead terminals are immersed in rosin for 5 seconds and then immersed in solder bath of $+300 \pm 5^\circ\text{C}$ for 3 ± 1 seconds . 90% min. lead terminals will be wet with solder (Except the edge of terminals).
terminal strength pulling test	The force of 9.8N(1.0kg) is applied to each terminal in axial direction for 10 seconds. No visible damage and cutting off.

TEST CONDITION

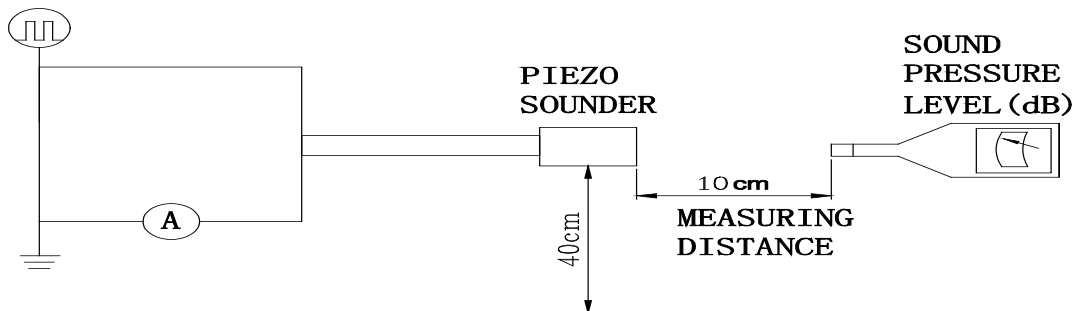
Standard Test Condition: a) Temperature : $+5 \sim +35^\circ\text{C}$ b) Humidity : 45 ~ 85% c) Pressure : 860 ~ 1060mbar

TESTING METHOD

Standard Measurement conditions : Temperature: $25 \pm 2^\circ\text{C}$ Humidity: 45 ~ 65%

ACOUSTIC CHARACTERISTICS:

The oscillation frequency, current consumption and sound pressure are measured by the measuring instruments shown below:



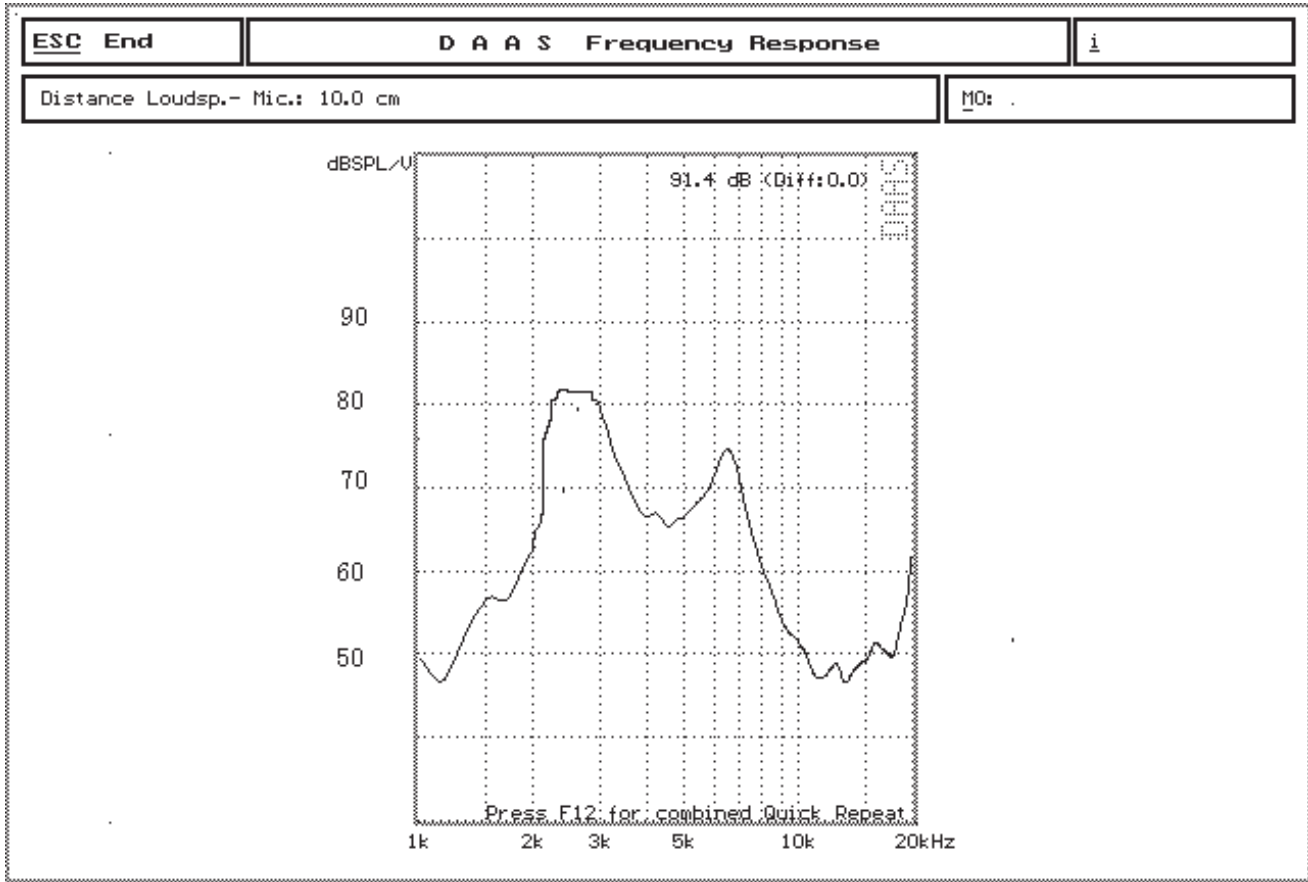
In the measuring test, buzzer is placed as follows:





MODEL: GT-111PS-1
PRODUCT: Electromagnetic Buzzer
EDITION: A/2016

TYPICAL FREQUENCY RESPONSE CURVE

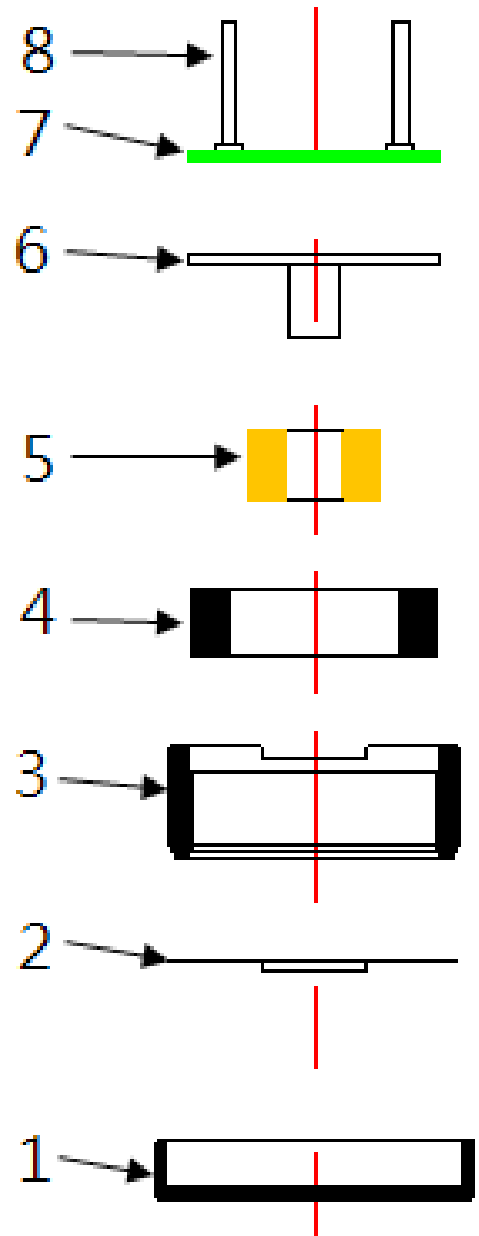
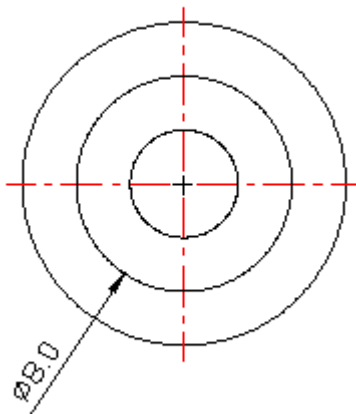
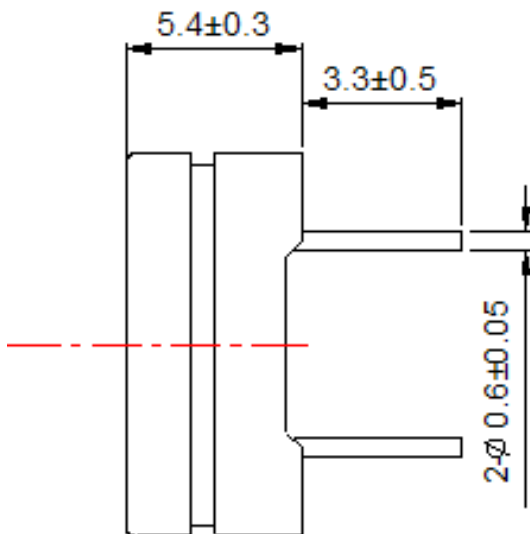
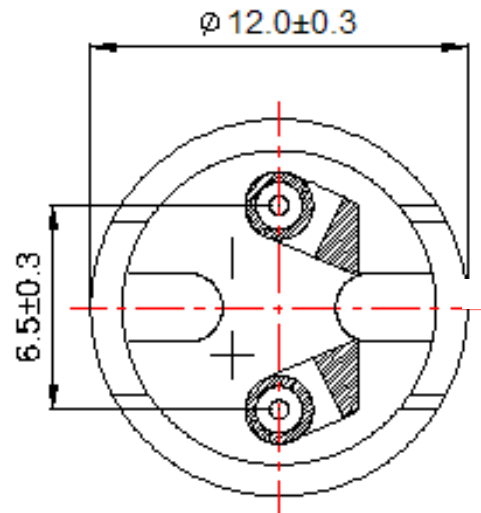




MODEL: GT-111PS-1
PRODUCT: Electromagnetic Buzzer
EDITION: A/2016

DIMENSIONS

Tolerance: ±0.5 (unit: mm)

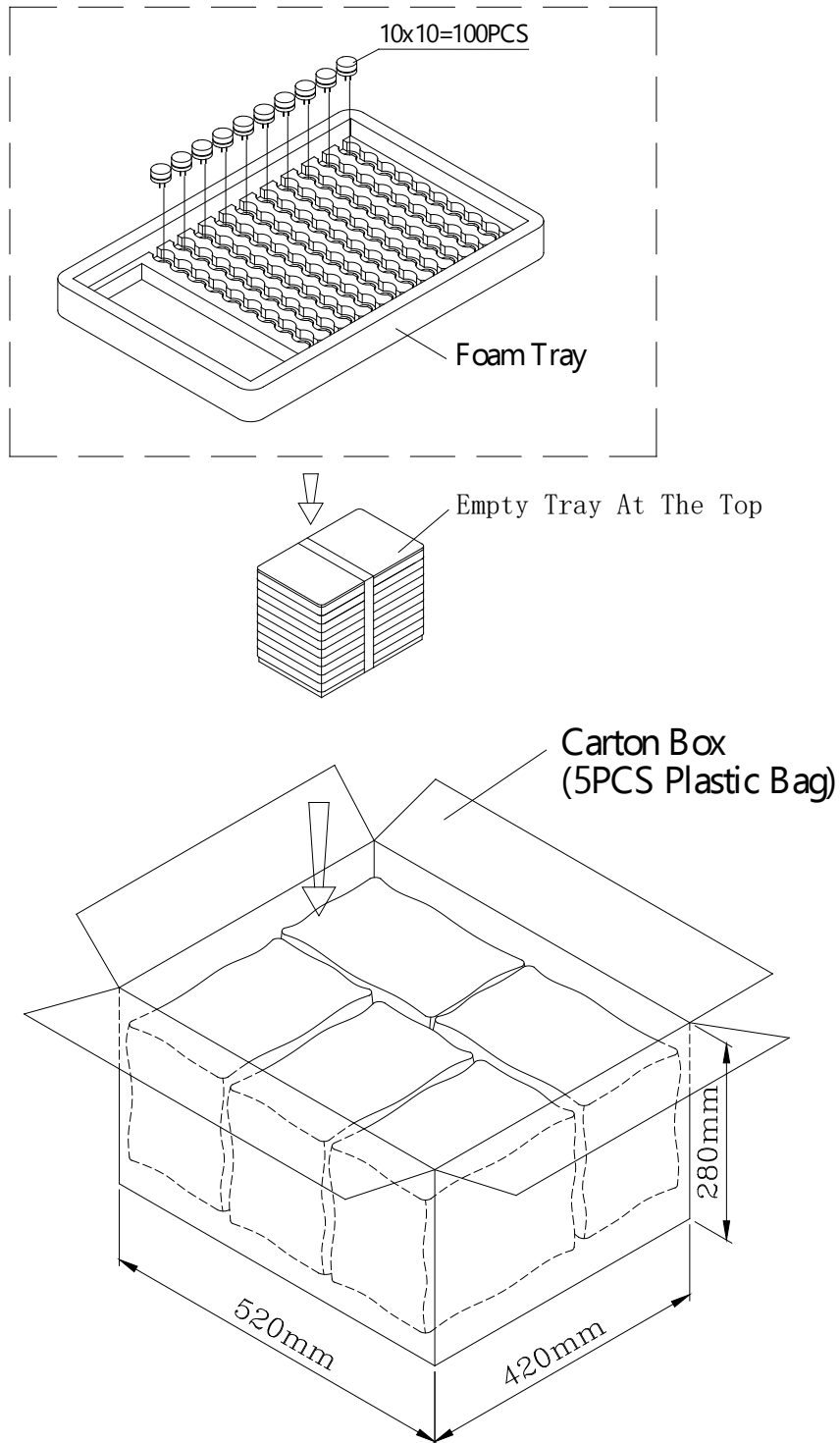


no	components	material	quantity
1	Cover	PPO	1
2	Diaphragm	Iron	1
3	Base	PPO	1
4	Magnet	NdFeB	1
5	Coil	Copper	1
6	Core	Iron	1
7	PCB	Epoxy glass fiber cloth + copper	1
8	PIN	Copper	2



MODEL: GT-111PS-1
PRODUCT: Electromagnetic Buzzer
EDITION: A/2016

PACKING



Foam Tray	240mmx160mmx30mm	1x100PCS=100PCS
Plastic Bag		10x100PCS=1000PCS
Carton Box	520mmx420mmx280mm	5x1000PCS=5,000PCS