

Model No: FSL-1830R06-08

Rev: 1

Product Line: Tymphany

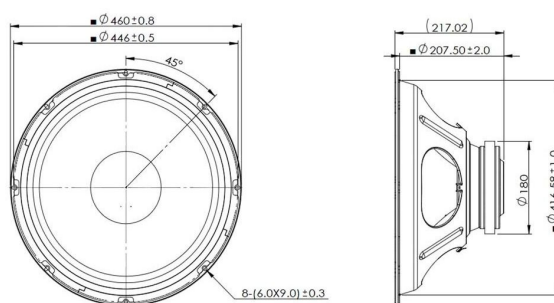
Last Update: 2017-03-03 02:00:02

Product Description

This 18 inch 8 ohm speaker features a FEA optimized ferrite magnet motor, a 3 inch high-temperature voice coil, and a high strength stamped steel frame. The multi-roll surround and spider have been optimized to reduce distortion over the excursion range of this transducer.



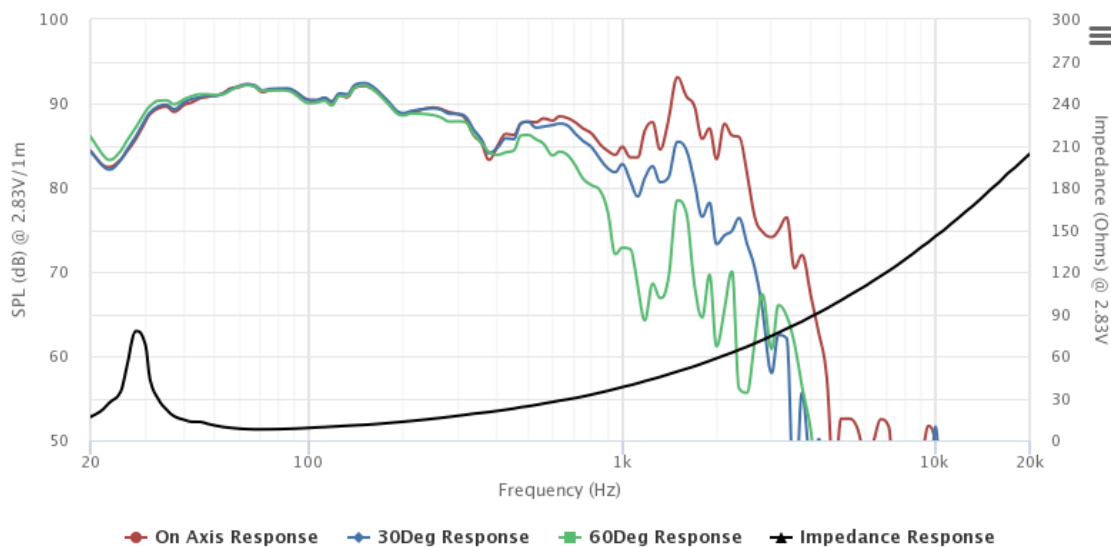
Mechanical Drawing



Specifications

DC Resistance	Revc	Ohms	6.18	5.0%	Energy Bandwidth Product	EBP	$(1/Qes)^*fs$
Minimum Impedance	Zmin	Ohms	7.86	7.5%	Moving Mass	Mms	g
Voice Coil Inductance	Le	mH	4.31		Suspension Compliance	Cms	um/N
Resonant Frequency	Fs	Hz	30.6	15%	Effective Cone diameter	D	cm
Mechanical Q Factor	Qms		12.86		Effective Piston Area	Sd	cm ²
Electrical Q Factor	Qes		0.59		Effective Volume	Vas	L
Total Q Factor	Qts		0.56		Motor Force Factor	BL	Tm
Ratio Fs/Qts	F	Fs/Qts	54.35		Motor Efficiency Factor	β	$(T^*M^2)/Ohms$
Half Space Sensitivity @2.83V	db@2.83V/1M	dB	91.83	+/- 1.0db	Voice coil former Material	VCfm	TIL
Half Space Sensitivity @1W/1M	db@1W/1M	dB	91.7	+/- 1.0db	Voice coil inner diameter	VCd	mm
Gap Height	Gh	mm	10		Rated Noise Power	P	W
Maximum Linear Excursion	Xmax	mm	9.4		Test Spectrum Bandwidth		40Hz -400Hz
Ferrofluid Type	FF				Driver Size	Inch	18 in
Driver Mass	Kg		7.5				

Frequency and Impedance Response



Highcharts.com