



### FEATURES

- Small 6.4 mm × 7.2 mm solution
- 2.2 μH power inductor
- 92% peak efficiency
- Tx masking within 50 μs
- 2.1 A, 12 V power switch
- Pin-selectable interface: 2-bit logic or I<sup>2</sup>C
- Programmable flash and torch current
  - Up to 200 mA in torch mode
  - Up to 500 mA in flash mode
- Programmable indicator LED current up to 20 mA
- Programmable timer register: up to 820 ms flash timeout
- 2.75 V to 5.5 V input voltage range
- Low noise, 1.2 MHz PWM operation
- Safety features
  - Interrupt output pin
  - Fault condition register
  - Short-circuit protection
  - Output overvoltage protection
  - Thermal overload protection
  - Integrated current limit and soft start
- Small 3 mm × 3 mm, 16-lead LFCSP footprint

### APPLICATIONS

- Camera-enabled cellular phones, smart phones
- Digital still cameras, camcorders, PDAs

### GENERAL DESCRIPTION

The ADP1653 is a very compact, high efficiency, high power, camera flash LED driver optimized for cellular phones. The high efficiency and dynamic LED current control of the device improve flash brightness and picture quality in dimly lit environments. Efficiency peaks at 92% and is higher than charge pump solutions over the Li-Ion battery range.

The device has a dual-mode interface that is configurable to 2-bit logic or an I<sup>2</sup>C® interface. The indicator and high power LED currents are programmable with external resistors or through the I<sup>2</sup>C interface. To maximize overall flash brightness, the ADP1653 offers an input to reduce flash LED current in less than 50 μs, referred to as the Tx mask. Tx masking reduces battery stress by scaling back flash LED current during an RF transmission.

The ADP1653 solution requires only four external components in I<sup>2</sup>C mode and fits in a 6.4 mm × 7.2 mm space. The part integrates multiple safety features such as soft start, flash timeout, output current limit, thermal protection, and overvoltage protection.

The ADP1653 operates over the -40°C to +125°C junction temperature range.

### TYPICAL OPERATING CIRCUIT

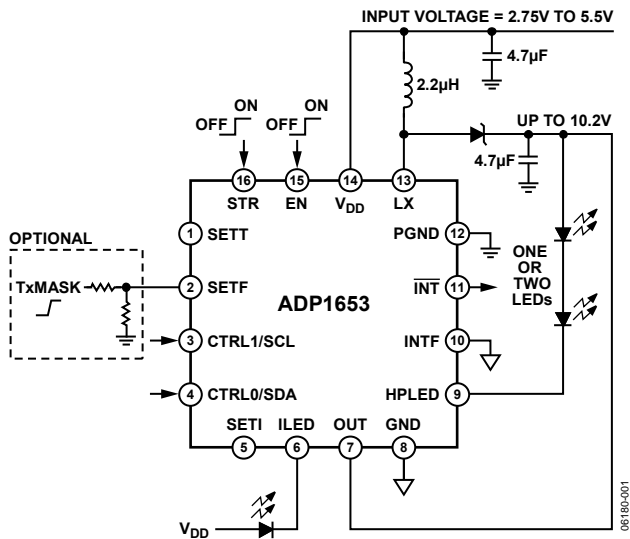


Figure 1.

### PCB LAYOUT

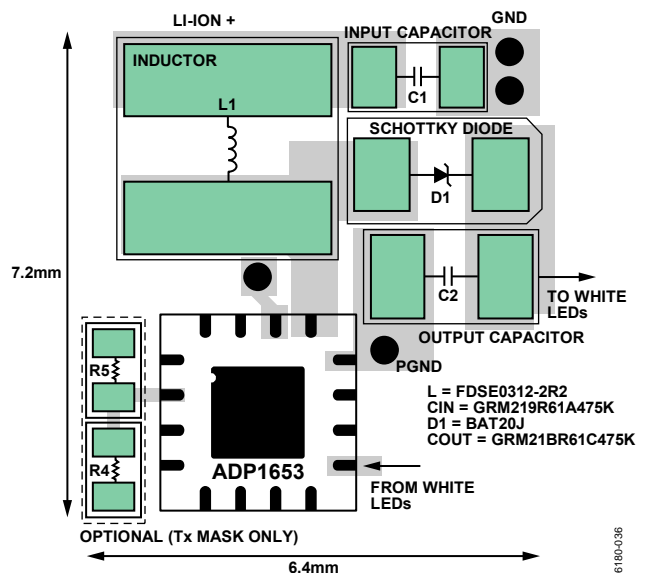


Figure 2.

### Rev. C

Information furnished by Analog Devices is believed to be accurate and reliable. However, no responsibility is assumed by Analog Devices for its use, nor for any infringements of patents or other rights of third parties that may result from its use. Specifications subject to change without notice. No license is granted by implication or otherwise under any patent or patent rights of Analog Devices. Trademarks and registered trademarks are the property of their respective owners.

### Document Feedback

# ADP1653\* PRODUCT PAGE QUICK LINKS

Last Content Update: 04/08/2017

---

## COMPARABLE PARTS

View a parametric search of comparable parts.

## EVALUATION KITS

- ADP1653 Evaluation Board

## DOCUMENTATION

### Application Notes

- AN-861: ADP1653 Evaluation and Test Methods

### Data Sheet

- ADP1653: Compact, High Efficiency, High Power, Flash/Torch LED Driver with Dual Interface Data Sheet

## REFERENCE MATERIALS

### Technical Articles

- Innovative Power Reduction Techniques Enable Handset Manufacturers to Provide Media Rich Devices

## DESIGN RESOURCES

- ADP1653 Material Declaration
- PCN-PDN Information
- Quality And Reliability
- Symbols and Footprints

## DISCUSSIONS

View all ADP1653 EngineerZone Discussions.

## SAMPLE AND BUY

Visit the product page to see pricing options.

## TECHNICAL SUPPORT

Submit a technical question or find your regional support number.

## DOCUMENT FEEDBACK

Submit feedback for this data sheet.

---

## TABLE OF CONTENTS

Features .....	1	Typical Performance Characteristics .....	9
Applications.....	1	Theory of Operation .....	13
General Description .....	1	White LED Driver .....	13
Typical Operating Circuit.....	1	2-Bit Logic Interface Mode (INTF = 1).....	14
PCB Layout.....	1	I <sup>2</sup> C Interface Mode (INTF = 0).....	14
Revision History .....	2	Turning on the Flash and Watchdog Timer .....	15
Specifications.....	3	Safety Features .....	16
I <sup>2</sup> C Timing Specifications.....	5	Applications Information .....	17
Absolute Maximum Ratings.....	6	Flash Current Foldback During Transmit Pulse .....	17
Thermal Resistance .....	6	External Component Selection .....	18
Boundary Condition .....	6	PCB Layout .....	20
ESD Caution.....	6	Outline Dimensions .....	22
Pin Configuration and Function Descriptions.....	7	Ordering Guide .....	22

## REVISION HISTORY

### 4/2017—Rev. B to Rev. C

Changed CP-16-3 to CP-16-27 .....	Throughout
Changes to Figure 2.....	1
Changes to Figure 4 and Table 5.....	7
Changes to Figure 34.....	20
Updated Outline Dimensions .....	22
Changes to Ordering Guide .....	22

### 9/2007—Rev. A to Rev. B

Changes to Table 1.....	3
Changes to Table 5.....	7
Changes to I <sup>2</sup> C Interface Mode (INTF = 0) Section .....	14
Changes to Safety Features Section .....	16
Inserted Table 9 and Table 10.....	18
Inserted Table 11 and Table 12.....	19

### 1/2007—Revision A: Initial Version

## SPECIFICATIONS

$V_{DD} = 3.0\text{ V to }5.5\text{ V}$ ,  $T_J = -40^\circ\text{C to }+125^\circ\text{C}$ , unless otherwise noted.<sup>1</sup>

Table 1.

Parameter	Conditions	Min	Typ	Max	Unit
<b>SUPPLY</b>					
Input Voltage Range <sup>2</sup>		3.0		5.5	V
Undervoltage Lockout Threshold	$V_{DD}$ rising	2.80	2.9	2.95	V
	$V_{DD}$ falling	2.58	2.7	2.75	V
Shutdown Current	$EN = GND$ , $T_J = -40^\circ\text{C to }+85^\circ\text{C}$		0.1	1	$\mu\text{A}$
Soft Power-Down Current	$INTF = 0$ , $EN = V_{DD}$ , ILED register = 0, HPLED register = 0, $T_J = -40^\circ\text{C to }+85^\circ\text{C}$		19	45	$\mu\text{A}$
	$INTF = 1$ , $EN = V_{DD}$ , (CTRL1, CTRL0) = (0, 0), $T_J = -40^\circ\text{C to }+85^\circ\text{C}$		19	45	$\mu\text{A}$
Operating Current <sup>3</sup>	$INTF = 0$ , $EN = V_{DD}$ , ILED register = 001, HPLED register = 0		500	700	$\mu\text{A}$
	$INTF = 1$ , (CTRL1, CTRL0) = (0, 1), $R_{SET1} = 200\text{ k}\Omega$		500	700	$\mu\text{A}$
	$INTF = 0$ , $EN = V_{DD}$ , HPLED register = 00001		1.6	3	$\text{mA}$
	$INTF = 1$ , (CTRL1, CTRL0) = (1, x)		1.6	3	$\text{mA}$
LX Leakage	$T_J = -40^\circ\text{C to }+85^\circ\text{C}$		0.05	0.5	$\mu\text{A}$
HPLED Leakage	$T_J = -40^\circ\text{C to }+85^\circ\text{C}$		0.03	0.5	$\mu\text{A}$
<b>THERMAL SHUTDOWN</b>					
Thermal Shutdown Threshold	$T_J$ rising		155		$^\circ\text{C}$
<b>INPUTS</b>					
EN, STR, CTRL1/SCL, CTRL0/SDA					
Input Logic Low Voltage	$T_J = -40^\circ\text{C to }+85^\circ\text{C}$			0.54	V
	$T_J = -40^\circ\text{C to }+125^\circ\text{C}$			0.48	V
Input Logic High Voltage	$T_J = -40^\circ\text{C to }+85^\circ\text{C}$	1.26			V
	$T_J = -40^\circ\text{C to }+125^\circ\text{C}$	1.27			V
SET1, SETT, SETF					
Input Logic High Voltage		1.4			V
INTF					
Input Logic Low Voltage <sup>4</sup>				$V_{DD}/2 - 0.6$	V
Input Logic High Voltage <sup>4</sup>		$V_{DD}/2 + 0.6$			V
<b>INT OUTPUT</b>					
Logic Low Output Voltage	$I_{SINK} = -3\text{ mA}$			0.4	V
Logic High Leakage Current			0.05	0.5	$\mu\text{A}$
SET1, SETT, SETF REFERENCE VOLTAGE		1.19	1.22	1.24	V
<b>INDICATOR LED</b>					
Current Sink Headroom	$V_{HEADROOM} = V_{DD} - V_F$ (ILED)	1			V
INTF = 1, SET1 Current Source	$R_{SET1} = 25\text{ k}\Omega$	14.5	17.5	21.5	$\text{mA}$
	$R_{SET1} = 200\text{ k}\Omega$	2.0	2.5	3.0	$\text{mA}$
INTF = 0	ILED register = 1 (001 binary), SET1 = $V_{DD}$	2.0	2.5	3.0	$\text{mA}$
	ILED register = 7 (111 binary), SET1 = $V_{DD}$	14.5	17.5	21.5	$\text{mA}$
<b>WHITE LED DRIVER</b>					
LX					
Switching Frequency		1.1	1.2	1.3	MHz
Current Limit		1.8	2.1	2.45	A
On Resistance			250	420	$\text{m}\Omega$
<b>OUT</b>					
Soft Start Ramp			18		V/ms
Overvoltage Threshold	$V_{DD}$ rising	9.8	10.15	10.5	V
Bias Current <sup>5</sup>	$V_{OUT} = 10\text{ V}$			12	$\mu\text{A}$

Parameter	Conditions	Min	Typ	Max	Unit
HPLED					
Regulation Voltage <sup>6</sup>	Boost active, two high power LEDs (HPLEDs) in series	0.23	0.32	0.42	V
Regulation Current					
INTF = 1, Torch Mode	RSETT = 50 k $\Omega$ or SETT = V <sub>DD</sub>	110	125	145	mA
	RSETT = 125 k $\Omega$	35	50	60	mA
Flash Mode	RSETF = 50 k $\Omega$	460	500	550	mA
	RSETF = 500 k $\Omega$	35	50	60	mA
INTF = 0, Flash Mode	HPLED register = 11111 (binary), SETF = V <sub>DD</sub>	460	500	550	mA
	HPLED register = 11000 (binary), SETF = V <sub>DD</sub>	365	395	435	mA
Torch Mode	HPLED register = 00110 (binary), SETF = V <sub>DD</sub>	110	125	145	mA
	HPLED register = 00001 (binary), SETF = V <sub>DD</sub>	38	50	60	mA
Step Size for HPLED LSB Change	SETF = V <sub>DD</sub>		15		mA
Maximum Flash Timeout	INTF = 0 or 1, 983,040 $\times$ oscillator cycles		820		ms
SETF RESPONSE (TRANSMIT MASKING FUNCTION) <sup>7</sup>					
	HPLED current = 335 mA to 140 mA		22		$\mu$ s
	HPLED current = 140 mA to 335 mA		24		$\mu$ s

<sup>1</sup> All limits at temperature extremes are guaranteed via correlation using standard statistical quality control (SQC). Typical values are at T<sub>A</sub> = 25°C, V<sub>DD</sub> = 3.6 V.

<sup>2</sup> This is the V<sub>DD</sub> input voltage range over which the rest of the specifications are valid. The part operates as expected until V<sub>DD</sub> goes below the UVLO threshold.

<sup>3</sup> This is the current into the V<sub>DD</sub> pin. Additional current can flow into the indicator LED or HPLED, depending on the mode selected.

<sup>4</sup> INTF should be tied to GND (INTF = 0) for I<sup>2</sup>C interface or to V<sub>DD</sub> (INTF = 1) for hardwire interface. All other digital inputs are 1.8 V compatible.

<sup>5</sup> This bias current is active only when the high power LED and/or indicator LED functions are enabled.

<sup>6</sup> This specification is not valid during minimum on-time operation of the boost converter (one LED case) when excess voltage is dropped across the HPLED pin.

<sup>7</sup> This specification is not production tested but is based on bench evaluation. It is based on the typical two-LED application circuit using a 100 k $\Omega$  resistor from SETF to GND, and a 160 k $\Omega$  resistor to a 1.8 V Tx mask logic signal with <1  $\mu$ s rise/fall time. HPLED register = 11001 (binary). The inductor current has settled to within  $\pm$ 5% of final value.

I<sup>2</sup>C TIMING SPECIFICATIONS

Table 2.

Parameter	Min	Max	Unit	Description
f <sub>SCL</sub>		400	kHz	SCL clock frequency
t <sub>HIGH</sub>	0.6		μs	SCL high time
t <sub>LOW</sub>	1.3		μs	SCL low time
t <sub>SU, DAT</sub>	100		ns	Data setup time
t <sub>HD, DAT</sub> <sup>1</sup>	0	0.9	μs	Data hold time
t <sub>SU, STA</sub>	0.6		μs	Setup time for repeated start
t <sub>HD, STA</sub>	0.6		μs	Hold time for start/repeated start
t <sub>BUF</sub>	1.3		μs	Bus free time between a stop and a start condition
t <sub>SU, STO</sub>	0.6		μs	Setup time for stop condition
t <sub>R</sub>	20 + 0.1 C <sub>B</sub>	300	ns	Rise time of SCL and SDA
t <sub>F</sub>	20 + 0.1 C <sub>B</sub>	300	ns	Fall time of SCL and SDA
t <sub>SP</sub>	0	50	ns	Pulse width of suppressed spike
C <sub>B</sub> <sup>2</sup>		400	pF	Capacitive load for each bus line

<sup>1</sup> A master device must provide a hold time of at least 300 ns for the SDA signal (referred to the V<sub>H</sub> minimum of the SCL signal) to bridge the undefined region of the SCL falling edge.

<sup>2</sup> C<sub>B</sub> is the total capacitance of one bus line in picofarads.

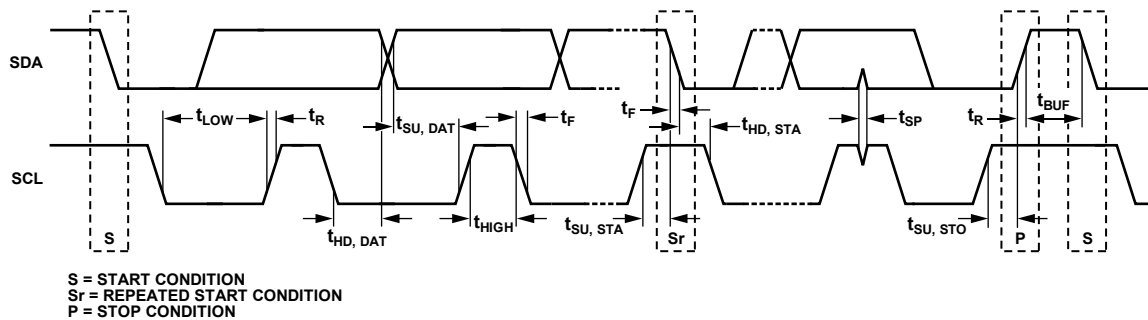


Figure 3. I<sup>2</sup>C Interface Timing Diagram

06180-002

## ABSOLUTE MAXIMUM RATINGS

Table 3.

Parameter	Rating
V <sub>DD</sub> , CTRL0/SDA, CTRL1/SCL, INTF, EN, SETI, SETT, SETF, STR, HPLED to GND	−0.3 V to +6 V
INT, ILED to GND	−0.3 V to + (V <sub>DD</sub> + 0.3 V)
LX, OUT to GND	−0.3 V to +12 V
PGND to GND	−0.3 V to +0.3 V
Operating Ambient Temperature Range	−40°C to +125°C <sup>1</sup>
Operating Junction Temperature	125°C
Storage Temperature Range	−65°C to +150°C
Soldering Conditions	JEDEC J-STD-020

<sup>1</sup> In applications where high power dissipation and poor thermal resistance are present, the maximum ambient temperature may have to be derated. Maximum ambient temperature (T<sub>A(MAX)</sub>) is dependent on the maximum operating junction temperature (T<sub>J(MAXOP)</sub> = 125°C), the maximum power dissipation of the device (P<sub>D(MAX)</sub>), and the junction-to-ambient thermal resistance of the part/package in the application (θ<sub>JA</sub>), using the following equation: T<sub>A(MAX)</sub> = T<sub>J(MAXOP)</sub> − (θ<sub>JA</sub> × P<sub>D(MAX)</sub>).

Stresses at or above those listed under Absolute Maximum Ratings may cause permanent damage to the product. This is a stress rating only; functional operation of the product at these or any other conditions above those indicated in the operational section of this specification is not implied. Operation beyond the maximum operating conditions for extended periods may affect product reliability.

Absolute maximum ratings apply individually only, not in combination. Unless otherwise specified, all other voltages are referenced to GND.

## THERMAL RESISTANCE

Junction-to-ambient thermal resistance (θ<sub>JA</sub>) of the package is based on modeling and calculation using a 4-layer board. The junction-to-ambient thermal resistance is dependent on the application and board layout. In applications where high maximum power dissipation exists, attention to thermal board design is required. The value of θ<sub>JA</sub> may vary, depending on PCB material, layout, and environmental conditions. For more information, see the AN-772 Application Note, *A Design and Manufacturing Guide for the Lead Frame Chip Scale Package (LFCSP)*.

Table 4. Thermal Resistance

Parameter	Value	Unit
θ <sub>JA</sub>	44	°C/W
Maximum Power Dissipation	1	W

## BOUNDARY CONDITION

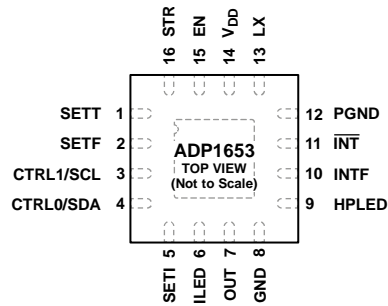
Natural convection, 4-layer board, exposed pad soldered to the PCB.

## ESD CAUTION



**ESD (electrostatic discharge) sensitive device.** Charged devices and circuit boards can discharge without detection. Although this product features patented or proprietary protection circuitry, damage may occur on devices subjected to high energy ESD. Therefore, proper ESD precautions should be taken to avoid performance degradation or loss of functionality.

## PIN CONFIGURATION AND FUNCTION DESCRIPTIONS



NOTES  
1. CONNECT THE EXPOSED PAD TO GND.

06180-003

Figure 4. Pin Configuration

Table 5. Pin Function Descriptions

Pin No.	Mnemonic	Description
1	SETT	Set Torch Input (2-Bit Logic Interface Only). SETT programs the high power LED current in torch mode. An external resistor connected between SETT and ground sets the torch current. When SETT is tied high, the current is internally set to 125 mA. In I <sup>2</sup> C mode, this pin is regarded as a no connect.
2	SETF	Set Flash Input. SETF programs the high power LED (HPLED) current in flash mode and allows for transmit blanking of the LED. In 2-bit logic interface mode, an external resistor connected between SETF and ground sets the flash current. If SETF is tied high, the current is set internally to 500 mA. In I <sup>2</sup> C mode, the flash current scales with both the external resistor and the internal HPLED bits in the output select register. If SETF is tied high, an internal 50 kΩ resistor combined with the HPLED bits set the HPLED current.
3	CTRL1/SCL	Serial Interface Clock Input. In 2-bit logic interface mode, CTRL1 is the second input bit of the digital interface. In I <sup>2</sup> C mode, SCL is the clock input of the I <sup>2</sup> C-compatible serial interface.
4	CTRL0/SDA	Serial Interface Data Input. In 2-bit logic interface mode, CTRL0 is the first input bit of the digital interface. In I <sup>2</sup> C mode, SDA is the data input/output of the I <sup>2</sup> C-compatible serial interface.
5	SETI	Set Indicator Input (2-Bit Logic Interface Only). SETI programs the indicator LED current. An external resistor connected between SETI and ground sets the indicator LED (ILED) current. If SETI is tied high, the current is internally set to 10 mA. In I <sup>2</sup> C mode, this pin is regarded as a no connect.
6	ILED	Indicator LED Input. Connect the cathode of the indicator LED to the ILED pin. Connect the anode to the battery or to a voltage rail greater than the LED forward voltage.
7	OUT	White LED Output Voltage. OUT senses the output voltage of the white LED step-up converter. At startup, the ADP1653 limits the rate of increase of the voltage at OUT (soft start) to prevent excessive input inrush current. The OUT pin features a comparator to detect an overvoltage condition if the LED string is open circuited. Connect the anode of the white LED(s) to OUT. Connect a 3.3 μF or greater capacitor between OUT and PGND.
8	GND	Analog/Digital Ground. Connect GND to PGND at the LFCSP paddle.
9	HPLED	High Power LED Current Regulator. HPLED regulates the current of the high power LED(s). Connect the cathode of the white LED string to HPLED.
10	INTF	Interface Input. INTF selects the 2-pin interface mode. INTF is driven high to enable CTRL1 and CTRL0 for 2-bit logic interface mode. INTF is driven low to enable SDA and SCL for I <sup>2</sup> C interfacing.
11	$\overline{\text{INT}}$	Active Low Interrupt Output. $\overline{\text{INT}}$ is an open-drain output that transitions from high to low to signal that a fault condition has occurred. $\overline{\text{INT}}$ should be connected via a pull-up resistor (for example, 10 kΩ to 100 kΩ) to the I/O supply rail and directly to the system processor. When an interrupt is detected, the system processor can read the FAULT register, using the I <sup>2</sup> C interface for details on the fault condition.
12	PGND	Power Ground for Internal Switching FET.
13	LX	White LED Switch Node. LX drives the inductor of the white LED step-up converter. An inductor and diode connected to LX powers the white LEDs.
14	V <sub>DD</sub>	Supply Input. Connect the battery between V <sub>DD</sub> and PGND. Bypass V <sub>DD</sub> to PGND with a 4.7 μF or greater capacitor.
15	EN	Enable Input. CMOS input. Driving EN high turns on the ADP1653. Driving EN low disables the ADP1653 and reduces the input current to less than 1 μA. When EN is high, disabling the LEDs puts the part into sleep mode, dropping the input current to less than 45 μA.
16	STR	Strobe Control Input (I <sup>2</sup> C Interface Only). CMOS input. Driving STR high enables the flash function of the white LED. STR also enables the watchdog timer to prevent overstressing the white LEDs.
EPAD		Exposed Pad. Connect the exposed pad to GND.



Table 6. Mode Selection

Pin Mnemonic	Value	INTF = 0 (I <sup>2</sup> C Interface)	INTF = 1 (2-Bit Logic Interface)
CTRL0/SDA		SDA	CTRL1, CTRL0 = 0, 0 (ADP1653 disabled)
CTRL1/SCL		SCL	CTRL1, CTRL0 = 0, 1 (ADP1653 indicator LED)
			CTRL1, CTRL0 = 1, 0 (ADP1653 torch mode)
			CTRL1, CTRL0 = 1, 1 (ADP1653 flash mode)
EN	Low	ADP1653 disabled	ADP1653 disabled
	High	ADP1653 enabled	ADP1653 enabled
STR	Low	Flash disabled	Ignored
	High	Flash enabled	Ignored
$\overline{\text{INT}}$	Low	Fault condition	Fault condition
	High	Normal operation	Normal operation
SETI	Resistor	Ignored <sup>1</sup>	SETI resistor sets indicator LED current <sup>2</sup>
	High	I <sup>2</sup> C sets ILED current	ILED current = 10 mA
SETT	Resistor	Ignored <sup>1</sup>	SETT resistor sets torch current <sup>2</sup>
	High	I <sup>2</sup> C sets torch current	Torch current = 125 mA
SETF	Resistor	SETF resistor(s) and I <sup>2</sup> C set flash current and torch current <sup>3</sup>	SETF resistor(s) set flash current <sup>2</sup>
	High	I <sup>2</sup> C sets flash current	Flash current = 500 mA

<sup>1</sup> If a resistor is present on SETI or SETT in I<sup>2</sup>C mode, it is ignored. Both pins should be tied high when operating in I<sup>2</sup>C mode.

<sup>2</sup> If a resistor is present, the current is set by this resistor. If a resistor is not present, the pin must be tied high and a default internal current set.

<sup>3</sup> If a resistor is present on SETF in I<sup>2</sup>C mode, the output current scales with both the I<sup>2</sup>C setting and the external reference current. The SETF resistor scales both the flash mode and torch mode currents.

# TYPICAL PERFORMANCE CHARACTERISTICS

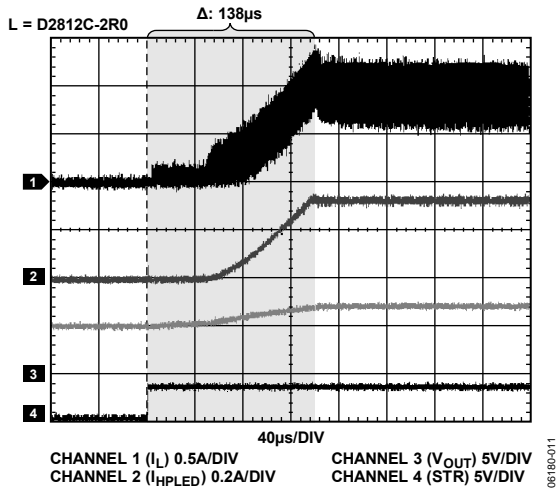


Figure 5. Startup, Two LEDs Flash Mode, LED Current = 335 mA, V<sub>DD</sub> = 3.2 V

06180-011

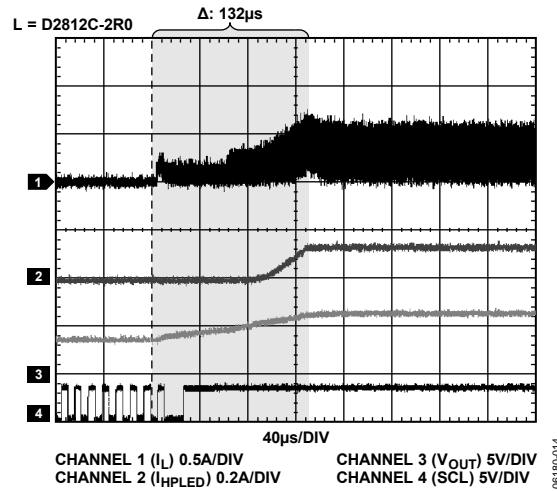


Figure 8. Startup, Two LEDs Torch Mode, LED Current = 130 mA, V<sub>DD</sub> = 3.6 V

06180-014

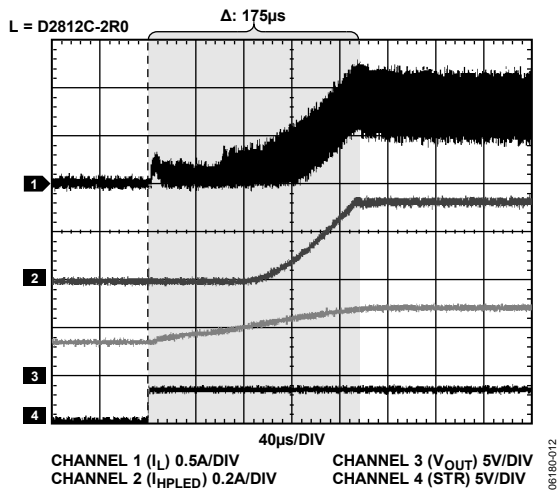


Figure 6. Startup, Two LEDs Flash Mode, LED Current = 335 mA, V<sub>DD</sub> = 3.6 V

06180-012

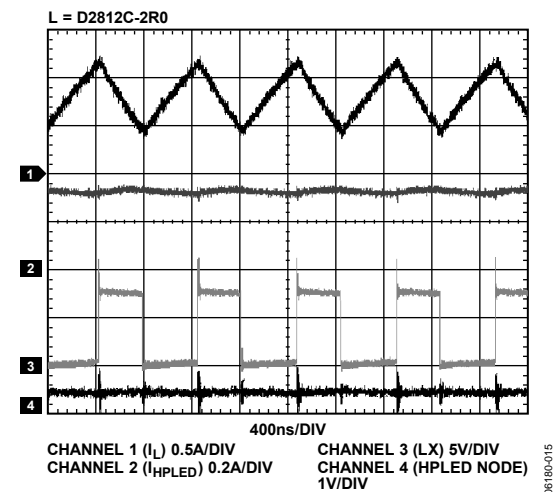


Figure 9. Inductor Current, Two LEDs Flash Mode, LED Current = 335 mA, V<sub>DD</sub> = 3.6 V

06180-015

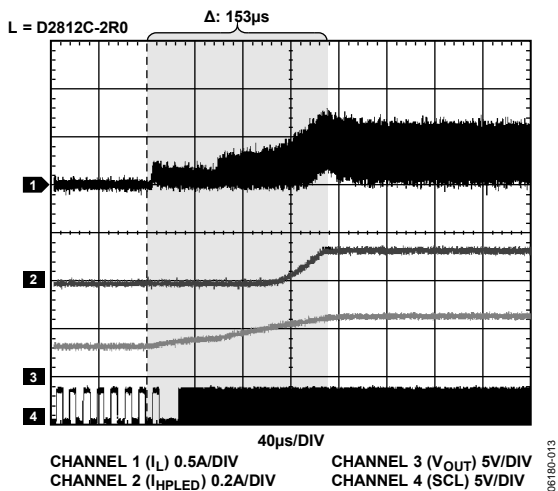


Figure 7. Startup, Two LEDs Torch Mode, LED Current = 130 mA, V<sub>DD</sub> = 3.2 V

06180-013

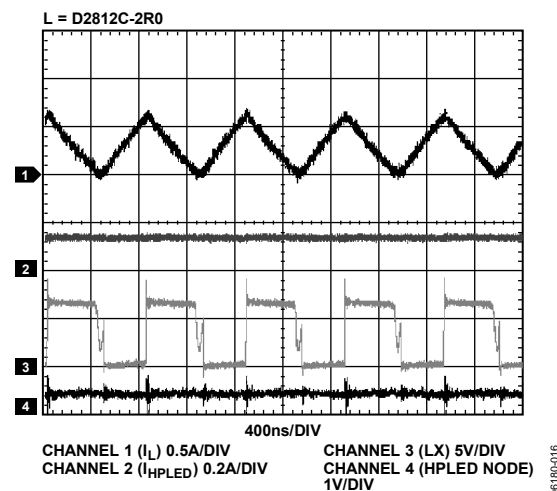


Figure 10. Inductor Current, Two LEDs Torch Mode, LED Current = 130 mA, V<sub>DD</sub> = 3.6 V

06180-016

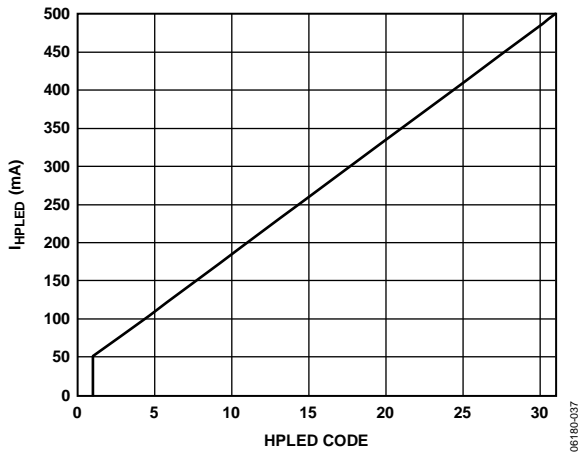


Figure 11. HPLED Current vs. HPLED Code, I<sup>2</sup>C Mode, SETF = V<sub>DD</sub>

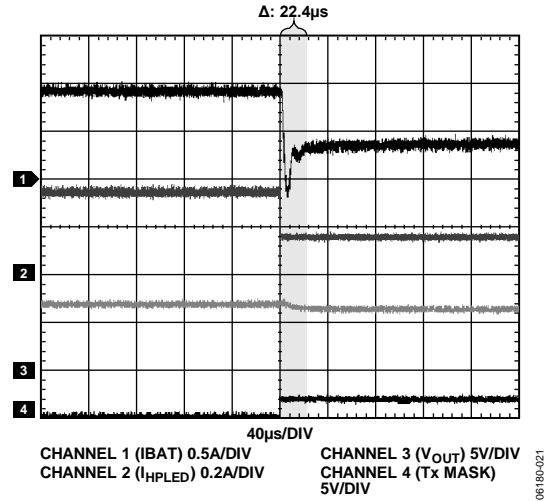


Figure 14. Tx Masking Response, Tx Mask 0 V to 1.8 V, I<sub>HPLED</sub> = 335 mA to 140 mA, V<sub>DD</sub> = 3.2 V

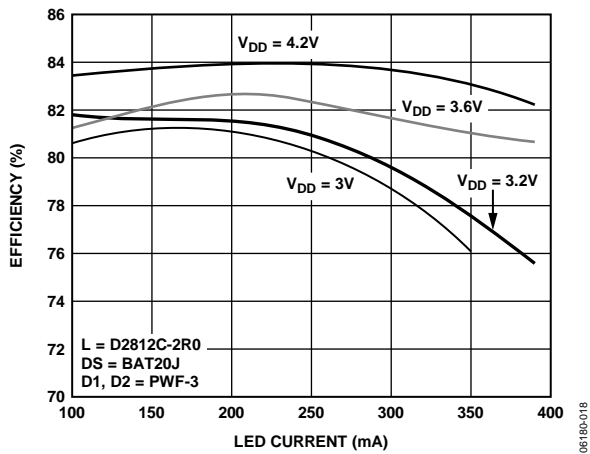


Figure 12. Efficiency P<sub>LED</sub>/P<sub>IN</sub>, Two High Power White LEDs in Series

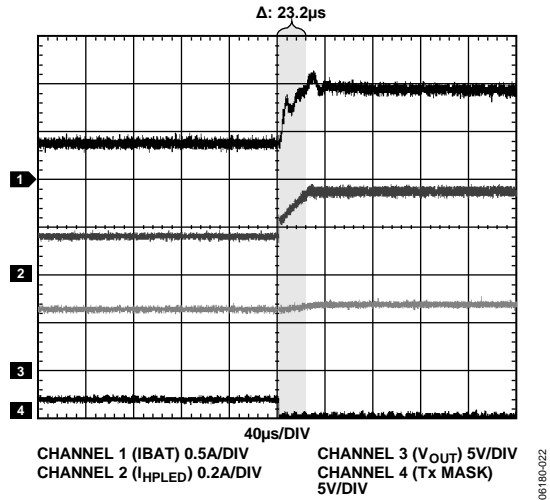


Figure 15. Tx Masking Response, Tx Mask 0 V to 1.8 V, I<sub>HPLED</sub> = 140 mA to 335 mA, V<sub>DD</sub> = 3.2 V

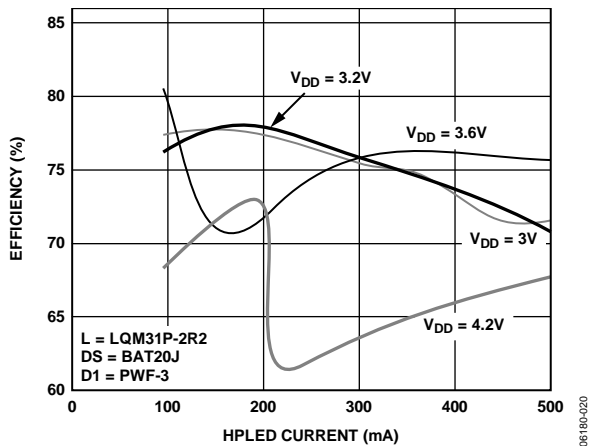


Figure 13. Efficiency P<sub>LED</sub>/P<sub>IN</sub>, One High Power White LED

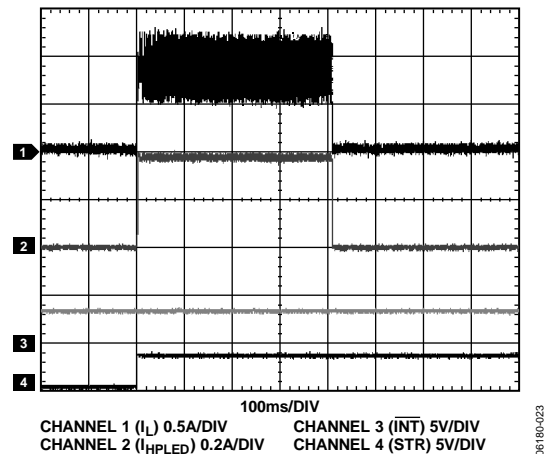


Figure 16. Flash Timed Mode, Two LEDs, Timer = 820 ms, I<sub>HPLED</sub> = 380 mA, V<sub>DD</sub> = 3.6 V

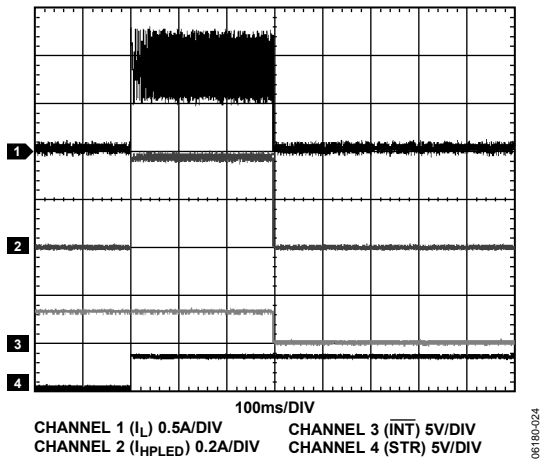


Figure 17. Flash Untimed Mode, Two LEDs, Timer = 300 ms,  $I_{HPLED} = 380$  mA,  $V_{DD} = 3.6$  V

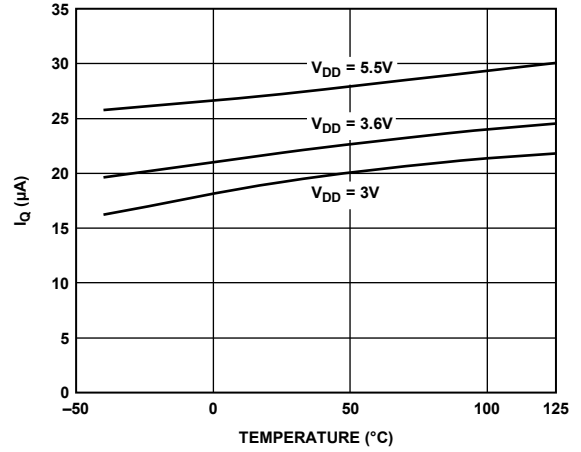


Figure 20. Quiescent Current vs. Temperature,  $EN = V_{DD}$ , LED Functions Disabled

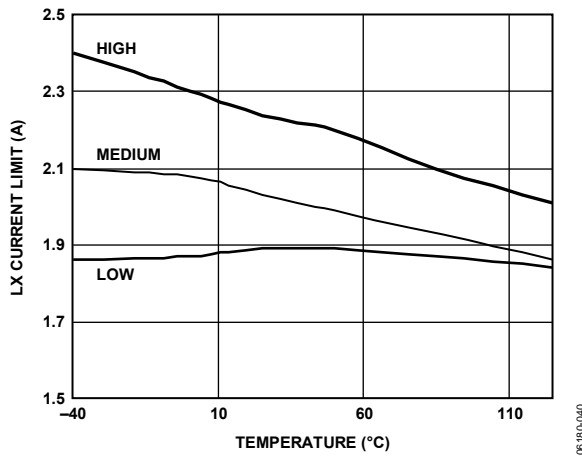


Figure 18. Typical Current Limit vs. Temperature; Low, Medium, and High Current Limit Parts

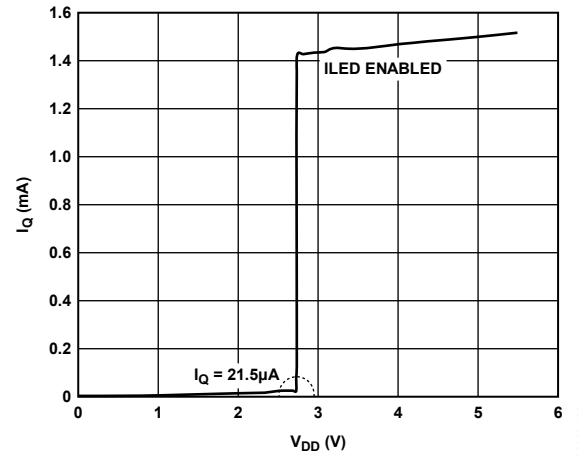


Figure 21. Quiescent Current vs.  $V_{DD}$ ,  $V_{DD}$  Swept from 5.5 V to 0 V, ILED Active at 2.5 mA Until UVLO Threshold

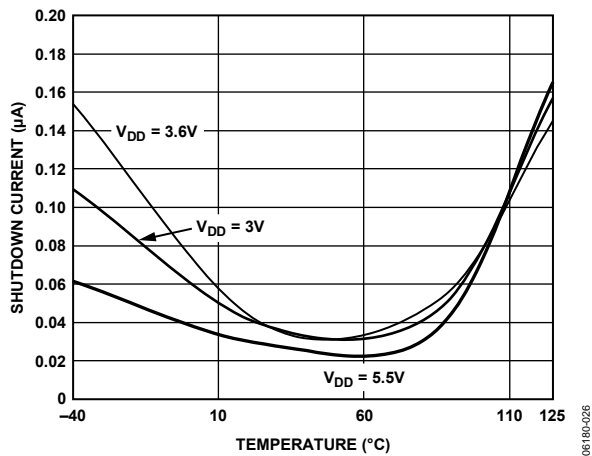


Figure 19. Shutdown Current vs. Temperature,  $EN = 0$  V

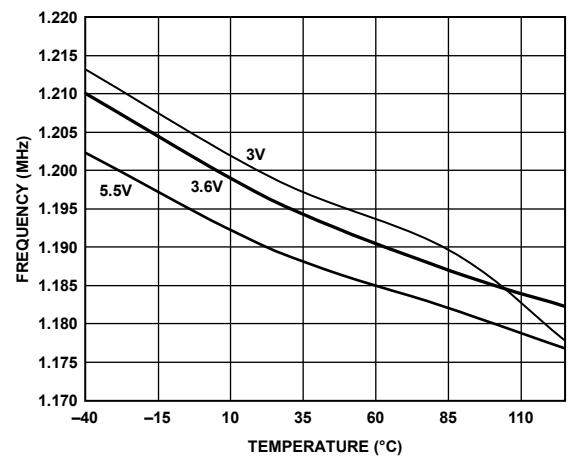


Figure 22. Oscillator Frequency vs. Temperature vs.  $V_{DD}$

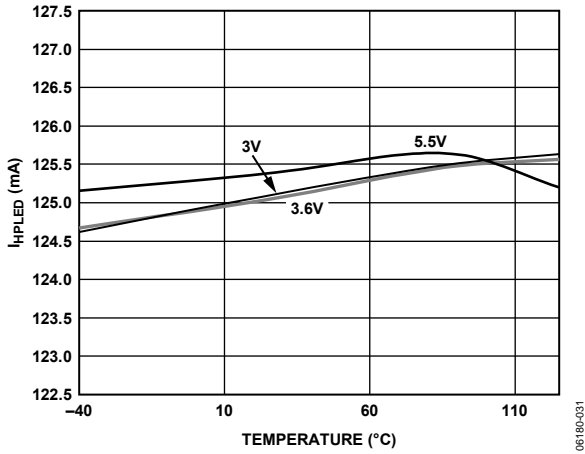


Figure 23. HPLED Regulation, Set at 125 mA, HPLED Register = 00110 (Binary), SETF = V<sub>DD</sub>

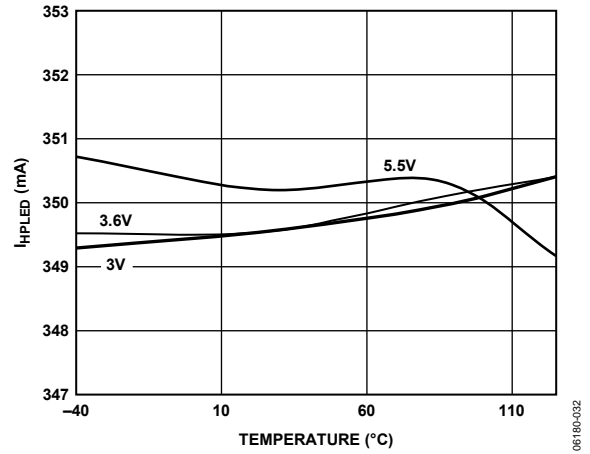


Figure 24. HPLED Regulation, Set at 350 mA, HPLED Register = 10101 (Binary), SETF = V<sub>DD</sub>

## THEORY OF OPERATION

The ADP1653 is a high power, white LED driver ideal for driving white LEDs for use as a camera flash. The ADP1653 includes a step-up converter and a current regulator suitable for powering one, or up to three, high power, white LEDs. A second lower current sink allows an indicator LED to be driven with 2.5 mA to 17.5 mA current.

The ADP1653 responds to a 2-pin control interface that can operate in two separate pin-selectable modes. Tying the INTF pin high enables a 2-bit logic hardwire interface. Tying the INTF pin low enables the I<sup>2</sup>C interface.

### WHITE LED DRIVER

The ADP1653 drives a step-up converter to power typically one or two series-connected, high power LEDs. The white LED driver regulates the high power LED current for accurate brightness control. The ADP1653 uses an integrated NFET current regulator that drops the voltage when the power LED forward voltage is less than the battery voltage.

When the required LED voltage is greater than the battery voltage, the NFET current regulator voltage at the HPLED pin is approximately 320 mV, and the step-up converter applies the appropriate voltage to OUT, allowing the LED to conduct the regulated current.

When the white LED is turned on, the step-up converter output voltage slew is limited to 18 V/ms to prevent excessive battery current while charging the output capacitor. The output voltage of the step-up converter is sensed at OUT. If the output voltage exceeds the 10.15 V (typical) limit, the white LED converter turns off to indicate that a fault condition has occurred through the INT output and system registers. This feature prevents damage due to an overvoltage if the white LED string fails with an open-circuit condition.

Setting the LED regulation currents depends on the 2-pin control interface used, as described in the following sections.

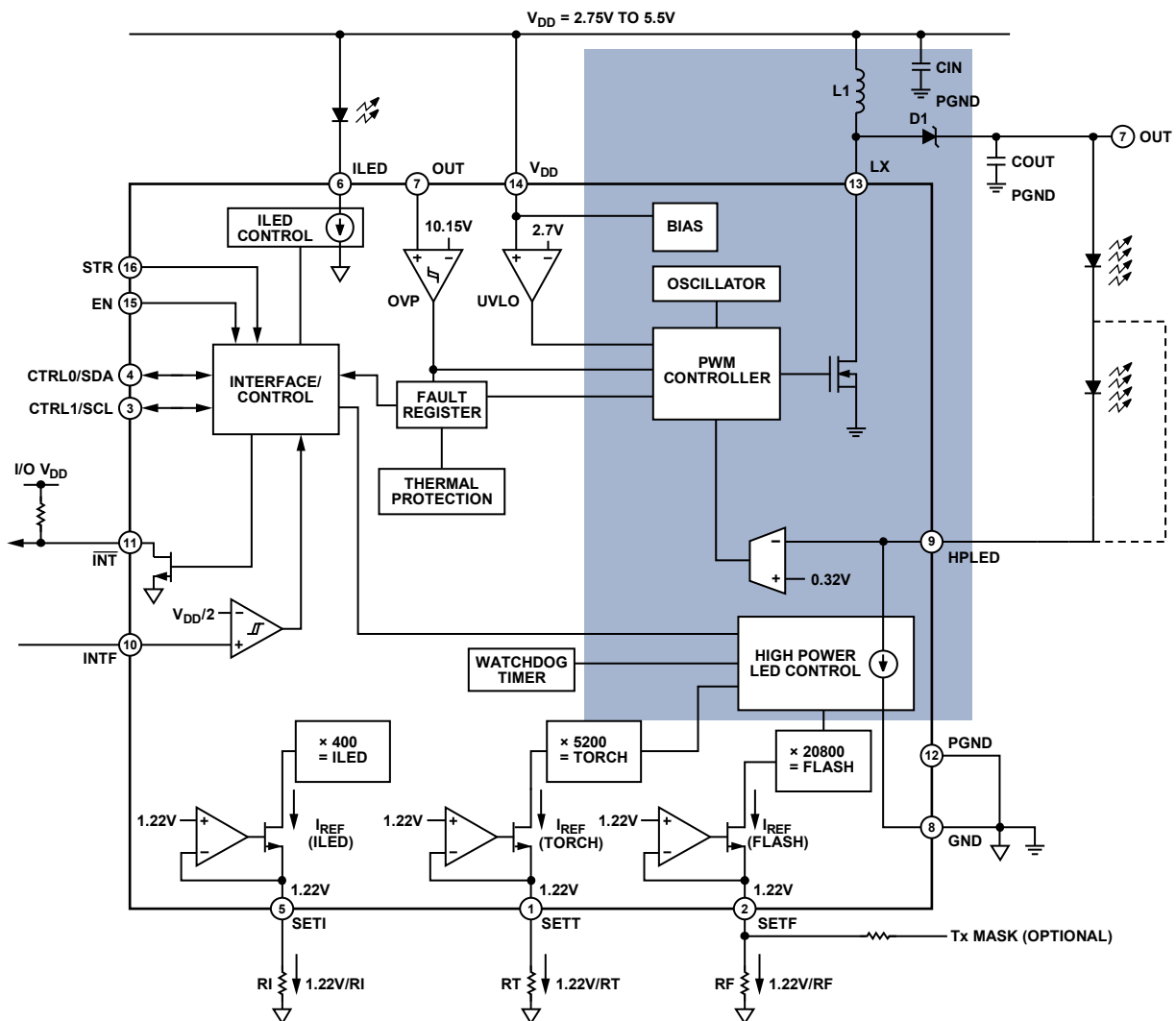


Figure 25. Detailed Block Diagram

**2-BIT LOGIC INTERFACE MODE (INTF = 1)**

In 2-bit logic interface mode, the two control pins, CTRL1 and CTRL0, select whether the part is disabled or operating in indicator LED mode, torch mode, or flash mode, as outlined in Table 7.

**Table 7. 2-Bit Logic Interface Mode Selection**

INTF = 1	CTRL1	CTRL0	LED Current Setting Pin	Default Current (SETx = H)
Disabled	0	0	—	—
ILED	0	1	SETI	ILED = 10 mA
Torch	1	0	SETT	HPLED = 125 mA
Flash	1	1	SETF	HPLED = 500 mA

The LED current levels for indicator LED mode, torch mode, and flash mode operation are set with separate external resistors tied between ground and the SETI, SETT, and SETF pins, respectively. The resulting reference current into each SETx pin is equal to 1.22 V/R<sub>SETx</sub>. The reference current multiplied by a fixed ratio sets the relevant LED current.

**Table 8. Reference Current to LED Current Scaling**

INTF = 1	CTRL1	CTRL0	LED Current
Disabled	0	0	—
ILED	0	1	I <sub>REF</sub> (SETI) × 400
Torch	1	0	I <sub>REF</sub> (SETT) × 5200
Flash	1	1	I <sub>REF</sub> (SETF) × 20,800

Alternatively, a default internal current setting is used by tying the SETx pin high. The default current for each mode of operation approximately equals the current obtained with a 50 kΩ resistor tied from the SETx pin to ground.

Consequently, the LED current resulting from an external resistor R<sub>SETx</sub> is given by the following equation:

$$I_{LED} = I_{DEFAULT} \times \frac{50\text{ k}\Omega}{R_{SETx}} \tag{1}$$

where I<sub>DEFAULT</sub> is the LED current resulting from tying the SETx pin high.

The values of I<sub>DEFAULT</sub> are given in Table 7 for indicator LED mode (SETI), torch mode (SETT), and flash mode (SETF) operation. For accurate LED current settings, the minimum SETx resistor values should be 25 kΩ (SETI, SETT) or 50 kΩ (SETF).

The flash current can be quickly reduced with an external logic signal (typically 1.8 V logic) by adding a second external resistor from the SETF pin to the logic signal. Bringing this digital input from low to high toggles the flash from normal to reduced current mode by reducing the reference current supplied to the ADP1653 via the SETF pin (see the Applications Information section).

**I<sup>2</sup>C INTERFACE MODE (INTF = 0)**

The ADP1653 includes an I<sup>2</sup>C-compatible serial interface for control of LED current, as well as for readback of system status registers. The I<sup>2</sup>C chip address is 0x60 (0110 0000 (binary) in write mode). The default value of all four registers is 0x00. Registers values are reset to the default values when enable is brought low, or the VDD supply falls below the undervoltage (UVLO) level.

Figure 26 illustrates the I<sup>2</sup>C write sequence. The subaddress content selects which of the four ADP1653 registers is written to. Figure 27 shows the I<sup>2</sup>C read sequence. The ADP1653 sends the data from the register denoted by the subaddress. In this case, the fault register is read (REG3).

The register definitions are shown in Figure 28. The lowest bit number (0) represents the least significant bit, and the highest bit number (7) represents the most significant bit.

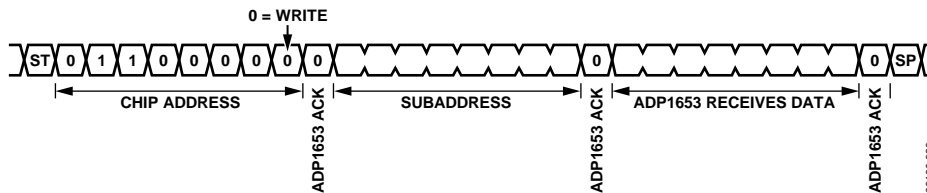


Figure 26. I<sup>2</sup>C Write Sequence

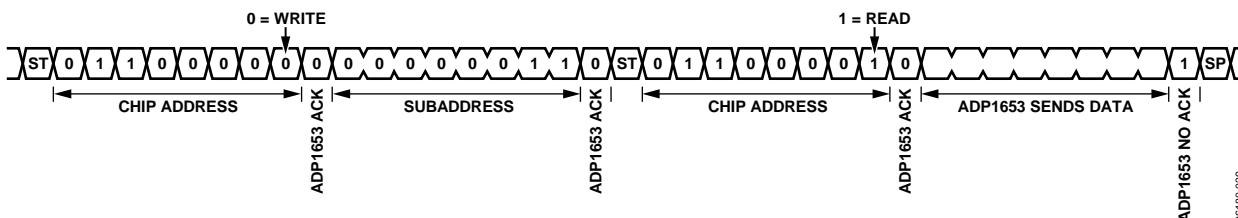


Figure 27. I<sup>2</sup>C Read Sequence

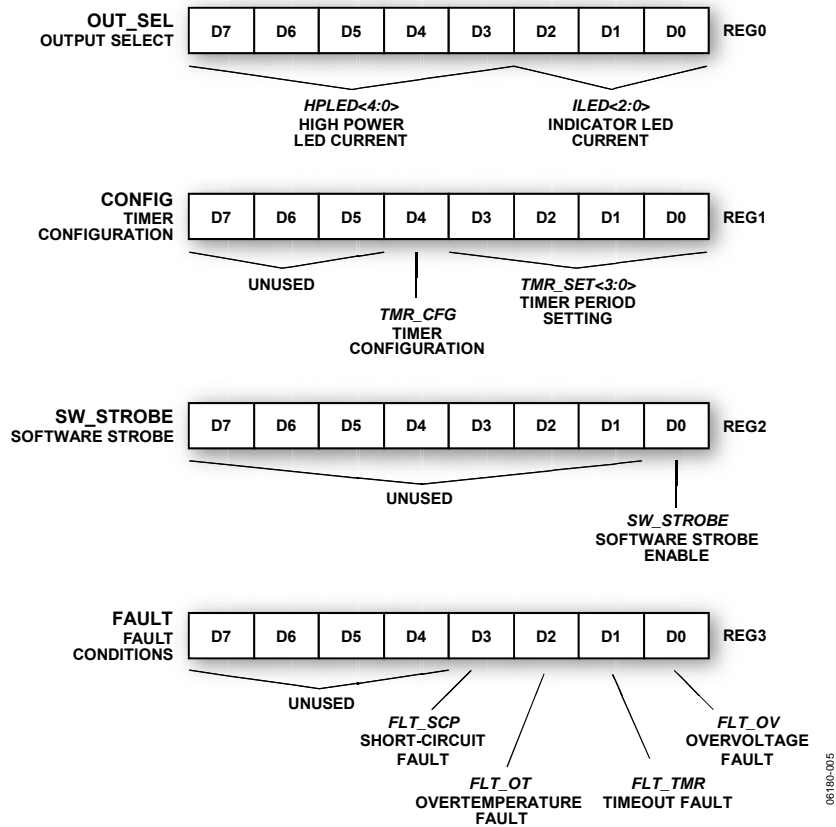


Figure 28. I²C Register Assignments

The LED regulation current levels are controlled by writing to the ILED and HPLED registers. If the ILED register is set to 0, the ILED regulator is turned off and no current flows through the indicator LED. If the ILED register is programmed from 1 (001 binary) to 7 (111 binary), the indicator LED is continuously on, with a current scaled to the register setting given by

$$I_{ILED} = 2.5 \text{ mA} \times \text{Code} \quad (2)$$

where *Code* is the ILED register setting. Therefore, the ILED current can be programmed between 2.5 mA and 17.5 mA, using the full range of codes.

If the HPLED register is set to 0, the HPLED regulator is turned off, and no current flows through the high power LED(s). If the HPLED register is programmed from 1 (00001 binary) to 11 (01011 binary), the regulator is in torch mode, and the HPLED remains continuously on, independent of the state of STR. If the HPLED register is programmed between 12 (01100 binary) and 31 (11111 binary), the HPLED regulator remains off until enabled through the strobe input (STR) or a software strobe command. To program a desired HPLED current with SETF tied high, use the following equation:

$$I_{HPLED} = 35 \text{ mA} + \text{Code} \times 15 \text{ mA} \quad (3)$$

where *Code* is the HPLED register setting.

Therefore, the HPLED torch current can be programmed between 50 mA and 200 mA for Code 1 to Code 11, and the HPLED flash current can be programmed between 215 mA and 500 mA for Code 12 to Code 31.

Additionally, the HPLED current can be adjusted with an external resistor. This feature is primarily intended for limiting the LED flash current in handset applications when the phone's power amplifier transmits, but it can also be used to modify the HPLED current settings. If an external SETF resistor is present, the HPLED current is given by

$$I_{HPLED} = (35 \text{ mA} + \text{Code} \times 15 \text{ mA}) \times \frac{50 \text{ k}\Omega}{R_{SETF}} \quad (4)$$

### TURNING ON THE FLASH AND WATCHDOG TIMER

A watchdog timer is always active in flash mode to prevent overstress of the HPLED.

In 2-bit logic interface mode, users select flash operation by setting the CTRL1 pin and the CTRL0 pin high. The watchdog timer in this mode is fixed at 0.82 sec. Bringing the CTRLx pins to another state terminates the flash. If the state of the CTRLx pins remains high for longer than 0.82 sec, flash is automatically disabled by the watchdog timer, and the interrupt pin ( $\overline{\text{INT}}$ ) goes low to indicate a fault.



In I<sup>2</sup>C mode, users select flash operation by programming the HPLED register between 12 (01100 binary) and 31 (11111 binary). The flash does not turn on until a strobe command is given by either pulling the STR pin high or by writing a software strobe command to the appropriate I<sup>2</sup>C register.

There are additional settings for the watchdog timer in I<sup>2</sup>C mode. The strobe command operates in one of two watchdog timer modes, timed flash and user-controlled flash, which are controlled via the state of the timeout configuration (TMR\_CFG) bit of the CONFIG register. If TMR\_CFG is set (1), the flash operates in timed mode. In timed flash, a rising edge on STR turns on the flash. The flash remains on until the internal timeout occurs, which is set by the TMR\_SET bits of the CONFIG register, according to the following equation:

$$t_{FLASH} = 820 \text{ ms} - Code \times 54.6 \text{ ms} \quad (5)$$

where *Code* ranges from 0 (0000 binary) to 15 (1111 binary), allowing for flash periods ranging from 54 ms to 820 ms.

If TMR\_CFG is not set (0), the flash operates in user-controlled timer mode. In user-controlled timer mode, the flash remains on as long as STR is held high. If STR remains high longer than  $T_{FLASH}$  (if TMR\_SET = 0,  $t_{FLASH} = 820 \text{ ms}$ ), the flash is turned off and a fault is set in the watchdog timeout (FLT\_TMR) bit of the FAULT register.

The ADP1653 also offers a software strobe option, allowing the user to turn on the flash directly through the I<sup>2</sup>C interface without pulling the STR pin high. Setting the SW\_STROBE register bit to 1 initiates a flash cycle. The strobe can operate in either timed or user-controlled mode, as previously described.

## SAFETY FEATURES

### Interrupts

For critical system conditions, such as output overvoltage, watchdog timeout, and overtemperature conditions, the ADP1653 indicates that an interrupt event has occurred by asserting the active low interrupt output  $\overline{INT}$ .  $\overline{INT}$  is an open-drain output and should be pulled up to the I/O voltage rail by using a resistor.

In I<sup>2</sup>C interface mode, the system baseband processor can read the fault register through the I<sup>2</sup>C interface to determine the nature of the fault condition after sensing that  $\overline{INT}$  has gone low. Users can clear a fault by writing 0x00 to the OUT\_SEL register. This brings  $\overline{INT}$  high and clears the FAULT register.

In 2-bit logic interface mode,  $\overline{INT}$  goes low for the same fault conditions, but I<sup>2</sup>C register readback is not available. To clear a fault, set CTRL1 and CTRL0 low.

### Overvoltage Fault

The ADP1653 contains a comparator at the OUT pin that monitors the voltage from the high power LED(s) to PGND. If the voltage exceeds 10.15 V (typical), the ADP1653 shuts down ( $I_Q < 45 \mu\text{A}$ ) and  $\overline{INT}$  goes low. In I<sup>2</sup>C mode, Bit D0 in the FAULT register (FLT\_OV) is read back as high. The ADP1653 is disabled, and  $\overline{INT}$  remains low until the fault is cleared.

### Timeout Fault

If the 2-bit logic interface is used, the maximum duration for flash being enabled (CTRL1/CTRL0 = 1) is preset to 820 ms. If CTRL1 and CTRL0 remain high for longer than 820 ms,  $\overline{INT}$  goes low and the ADP1653 is disabled.

In I<sup>2</sup>C mode, if TMR\_CFG is not set (0), and STR remains high for longer than  $t_{FLASH}$  (see Equation 5),  $\overline{INT}$  goes low and the FLT\_TMR bit in the FAULT register is read back as high. The ADP1653 is disabled, and  $\overline{INT}$  remains low until the fault is cleared.

### Overtemperature Fault

If the junction temperature of the ADP1653 rises above 155°C, a thermal protection circuit shuts down the LED driver and brings  $\overline{INT}$  low. In I<sup>2</sup>C mode, Bit D2 (FLT\_OT) of the FAULT register is read back as high. The ADP1653 is disabled, and  $\overline{INT}$  remains low until the fault is cleared.

### Short-Circuit Fault

The HPLED pin features short-circuit protection that disables the ADP1653 if it detects a short circuit to ground at the cathode of the LED(s). The ADP1653 monitors the HPLED voltage once the part is enabled in torch mode. If after 820 ms the HPLED pin remains grounded, a short circuit is detected.  $\overline{INT}$  goes low, and Bit D3 (FLT\_SCP) of the FAULT register is read back as high. Avoid false triggering of the Short Circuit Fault by not changing the torch current level while the short-circuit detection circuit is making a measurement of HPLED pin voltage. Do not change torch setting directly between two non-zero torch levels 750 ms to 900 ms after the torch has been enabled. To change torch mode current level between two non-zero torch levels 750 ms to 900 ms after enabling torch mode, use the following sequence:  
Torch Current Setting #1  
Torch Current Setting = 0  
Torch Current Setting #2  
Torch mode and flash modes can be enabled or disabled at any time.

### Input Undervoltage

The ADP1653 includes an input undervoltage lockout circuit. If the battery voltage drops below the 2.7 V (typical) input UVLO threshold, the ADP1653 shuts down and the input current drops to less than 45  $\mu\text{A}$  to prevent deep discharge of the battery. In this case, the system register information is lost, and when power is reapplied, a power-on reset circuit resets the registers to their default conditions.

### Current Limit

The internal LX switch limits battery current by ensuring that the peak inductor current does not exceed 2.1 A (typical). If the SET1, SETT, or SETF pins accidentally connect to ground, the reference current is limited to a maximum of 1 mA.

## APPLICATIONS INFORMATION

### FLASH CURRENT FOLDBACK DURING TRANSMIT PULSE

The ADP1653 allows a fast, 1.8 V logic-enabled foldback of the flash current, typically enabled shortly before an RF transmit pulse. This feature extends the life of the battery by preventing overstress of the battery cell. It also extends the life of the phone by reducing the maximum instantaneous system current that can occur, allowing a lower battery operating voltage limit.

#### 2-Bit Logic Interface Mode (INTF = 1)

In 2-bit logic interface mode, the flash current is set with an external resistor. The 1.22 V reference voltage is buffered to the SETF pin, generating a reference current across an external SETF resistor. This reference current is multiplied by a fixed gain to set the flash current in the HPLED.

A 1.8 V compatible logic signal selects normal or reduced flash current by adjusting the reference current, as shown in Figure 29 and Figure 30.

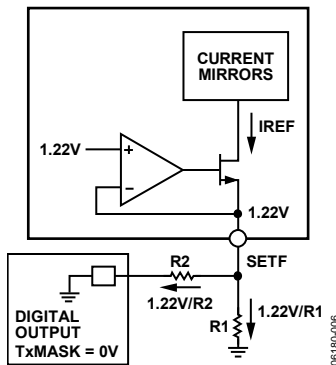


Figure 29. Flash Mode Current Foldback (Normal Operation with R2 Grounded Through Digital Control Signal)

Full current flash mode has a reference current of

$$I_{REF\_0} = \frac{1.22 \text{ V}}{R1 \parallel R2} = \frac{1.22 \text{ V} \times (R1 + R2)}{R1 \times R2} \quad (6)$$

The reference current is multiplied by a fixed gain to give the actual flash current (see Table 8).

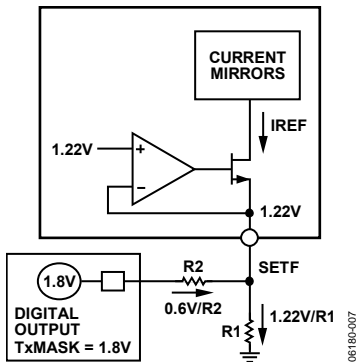


Figure 30. Flash Mode Current Foldback with 1.8 V Signal Applied to R2

A logic high to R2 changes the direction of the current in R2.

$$I_{REF} = I_{R1} - I_{R2} \quad (7)$$

$$I_{REF} = \frac{1.22 \text{ V}}{R1} - \frac{V_{Tx\ mask} - 1.22 \text{ V}}{R2} \quad (8)$$

$$I_{HPLED} = I_{REF} \times 20,800 \quad (9)$$

The ratio of full flash current to reduced flash current for a 1.8 V logic signal is approximately

$$\frac{\text{Full Flash}}{\text{Reduced Flash}} = \frac{R2 + R1}{R2 - \frac{R1}{2}} \quad (10)$$

If R1 = R2 = 100 kΩ, the maximum flash current is 500 mA, and the reduced flash current is 125 mA.

#### I<sup>2</sup>C Mode (INTF = 0)

To allow flash current foldback in I<sup>2</sup>C mode, the user should connect a resistor between SETF and ground, and another resistor from SETF to the logic input, as shown in Figure 29 and Figure 30. Operation is the same as for the 2-bit logic interface mode, except the flash current is additionally scaled by setting the HPLED bits in the OUT\_SEL register.

Full current flash mode (Tx mask = 0 V) has a flash current of

$$I_{HPLED} = (35 \text{ mA} + \text{Code} \times 15 \text{ mA}) \times \frac{50 \text{ k}\Omega}{R_{SETF}} \quad (11)$$

where:

R<sub>SETF</sub> is a parallel combination of R1 and R2.

Code is the HPLED register setting.

Bring the Tx mask voltage high for reduced reference current.

Therefore, the reduced LED current is I<sub>HPLED</sub> (see Equation 13).

$$I_{REF} = \frac{1.22 \text{ V}}{R1} - \frac{V_{Tx\ mask} - 1.22 \text{ V}}{R2} \quad (12)$$

$$I_{HPLED} = (35 \text{ mA} + \text{Code} \times 15 \text{ mA}) \times \frac{50 \text{ k}\Omega \times I_{REF}}{1.22 \text{ V}} \quad (13)$$

## EXTERNAL COMPONENT SELECTION

### Selecting the Inductor

The ADP1653 step-up converter increases the battery voltage to allow driving one, two, or three LEDs, whose combined voltage drop is higher than the battery voltage plus the 0.32 V (typical) current source headroom voltage. This allows the converter to regulate the HPLED current over the entire battery voltage range and with a wide variation of LED forward voltage.

Users should choose an inductor value such that the inductor ripple current is approximately 2/5th of the maximum dc input load current. In general, lower inductance values have higher saturation current and lower series resistance for a given physical size. For most applications, an inductor in the range of 1.5  $\mu\text{H}$  to 3.3  $\mu\text{H}$  works well.

To determine the inductor ripple current, users should first calculate the switch duty cycle for the step-up converter, which is determined by the input voltage ( $V_{IN}$ ), output voltage ( $V_{OUT}$ ), and Schottky forward voltage ( $V_F$ ).  $V_{OUT}$  equals the LED voltage drop plus 320 mV (typical) overhead for the HPLED current regulator.

$$\frac{V_{IN}}{V_{OUT} + V_F} = 1 - D \quad (14)$$

Solving for D

$$D = 1 - \frac{V_{IN}}{V_{OUT} + V_F} = \frac{V_{OUT} + V_F - V_{IN}}{V_{OUT} + V_F}$$

The HPLED (output) current is regulated as low as 50 mA (torch mode) and as high as 500 mA (flash mode). The maximum dc input current is related to the maximum dc output current by the following equation:

$$I_{IN(MAX)} = I_{OUT(MAX)} \times \left( \frac{V_{OUT}}{V_{IN}} \right) \times \frac{1}{\eta} \quad (15)$$

where  $\eta$  is efficiency (assume  $\eta \approx 0.80$  in the two-LED case).

Choose the initial inductor value by using the equation

$$L = \frac{V_{IN}}{\Delta I_L \times f_{SW}} \left( \frac{V_{OUT} + V_F - V_{IN}}{V_{OUT} + V_F} \right) \quad (16)$$

where:

$L$  is the inductor value (reduce  $L$  to reduce solution size).

$f_{SW}$  is the switching frequency.

$\Delta I_L$  is the inductor ripple current, typically 2/5th of the maximum dc input current.

$V_F$  is the forward voltage of the Schottky diode.

The inductor saturation current should be greater than the sum of the dc input current and half the inductor ripple current. A reduction in the effective inductance due to saturation increases the inductor current ripple but improves loop stability, reducing the amount of output capacitance required. Ensure that the peak inductor current (dc + 1/2 of inductor ripple) is less than the LX minimum current limit (1.8 A).

**Table 9. Recommended Inductors**

Vendor	Value ( $\mu\text{H}$ )	Part No.	DCR (m $\Omega$ )	ISAT (A)	Dimensions L x W x H (mm)
Toko	2.2	FDSE0312	145	3.1	3 x 3 x 1.2
Toko	2.0	DE2812C	67	1.8	2.8 x 2.8 x 1.2
Toko	3.3	FDSE0312	199	2.6	3 x 3 x 1.2
Coilcraft	2.2	LPS3010	220	1.4	3 x 3 x 1.0
Coilcraft	2.2	LPS3314	100	1.5	3 x 3 x 1.4

### Selecting the Input Capacitor

The ADP1653 requires an input bypass capacitor to supply transient currents while maintaining constant input and output voltage. The input capacitor carries the input ripple current, allowing the input power source to supply only the dc current. Use an input capacitor with sufficient ripple current rating to handle the inductor ripple. A 4.7  $\mu\text{F}$  X5R/X7R ceramic capacitor rated for 6.3 V is the minimum recommended input capacitor. Increased input capacitance reduces the amplitude of the switching frequency ripple on the battery. Because of the dc bias characteristics of ceramic capacitors, a 0603, 6.3 V X5R/X7R, 10  $\mu\text{F}$  ceramic capacitor is preferable.

**Table 10. Recommended Input Capacitors**

Vendor	Value	Part No.	Dimensions L x W x H (mm)
Murata	10 $\mu\text{F}$ , 6.3 V	GRM188R60J106ME47	1.6 x 0.8 x 0.8
TDK	10 $\mu\text{F}$ , 6.3 V	C1608JB0J106K	1.6 x 0.8 x 0.8

### Selecting the Diode

The ADP1653 is a nonsynchronous boost and, as such, requires an external Schottky rectifier to conduct the inductor current to the output capacitor and HPLEDs when the LX switch is off. Ensure that the Schottky peak current rating is greater than the maximum inductor current. Choose a diode with an average current rating that is significantly larger than the maximum LED current. To prevent thermal runaway, derate the Schottky rectifier to ensure reliable operation at high junction temperatures. To achieve the best efficiency, select a Schottky diode with a low  $V_F$ .

Table 11. Recommended Schottky Diodes

Vendor	I <sub>PEAK</sub> (A)	I <sub>AVER</sub> (A)	V <sub>R</sub> (V)	Part No.	Dimensions L × W × H (mm)
ST	2	1	23	BAT20J	1.65 × 1.25 × 1.0
Rohm	5	1	20	RB161VA-20	1.9 × 1.3 × 0.6
ON Semi	2	1	20	MBR120LSFT1	2.7 × 1.65 × 0.95
Philips	2	2	20	PMEG2020EJ	1.7 × 1.25 × 0.72

**Selecting the Output Capacitor**

The output capacitor maintains the output voltage and supplies the HPLED current when the LX switch is on. It also stabilizes the loop. A 4.7 μF, 16 V X5R/X7R ceramic capacitor is generally recommended. The minimum required capacitance for loop stability for the two-LED and one-LED cases is shown in Figure 31 and Figure 32, respectively. Choose a capacitor with a capacitance greater than the minimum shown in Figure 31 and Figure 32 for the worst-case dc bias voltage and temperature condition.

Note that dc bias characterization data is available from capacitor manufacturers and should be taken into account when selecting input and output capacitors. 16 V capacitors are recommended for most two-LED designs. Designs with 1 mm height restrictions can also use 0603 case size, 16 V capacitors in parallel.

Table 12. Recommended Output Capacitors

Vendor	Value	Part No.	Dimensions L × W × H (mm)
Murata	4.7 μF, 16 V	GRM21BR61C475KA88	2 × 1.25 × 1.25
TDK	4.7 μF, 16 V	C2012X5R1C475K	2 × 1.25 × 1.25
Murata	4.7 μF, 10 V	GRM219R61A475KE34	2 × 1.25 × 0.95
TDK	4.7 μF, 10 V	C1608X5R1A475K	1.6 × 0.8 × 0.8

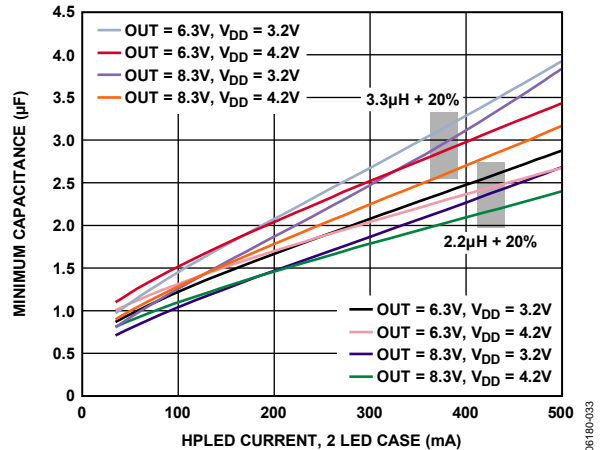


Figure 31. Minimum Output Capacitance for L = 3.3 μH + 20% and L = 2.2 μH + 20% for Two-LED Designs

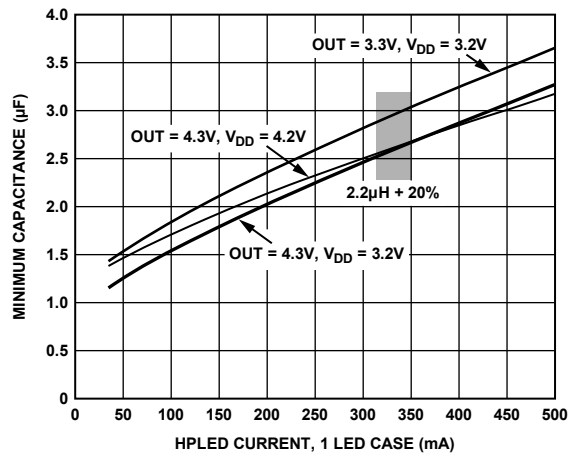


Figure 32. Minimum Output Capacitance for L = 2.2 μH + 20% for One-LED Design

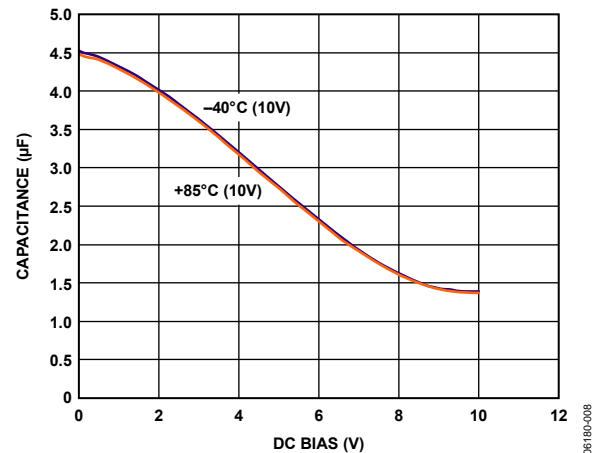


Figure 33. DC Bias Characteristic of a 10V, 4.7 μF Ceramic Capacitor

## PCB LAYOUT

Good PCB layout is important to maximize efficiency and to minimize noise and electromagnetic interference (EMI). An example PCB layout is shown in Figure 34. Refer to the following guidelines for adjustments to the suggested layout.

The high current paths are shown in Figure 35. Place components that are on high current paths first. To minimize large current loops, place the input capacitor, inductor, Schottky diode, and output capacitor as close as possible to each other and to the ADP1653 using wide tracks (use shapes where possible).

Use separate analog and power ground planes. The analog ground plane is used to ground the SETI, SETT, and SETF resistors and for any digital connections (that is, INTF = 0 = AGND).

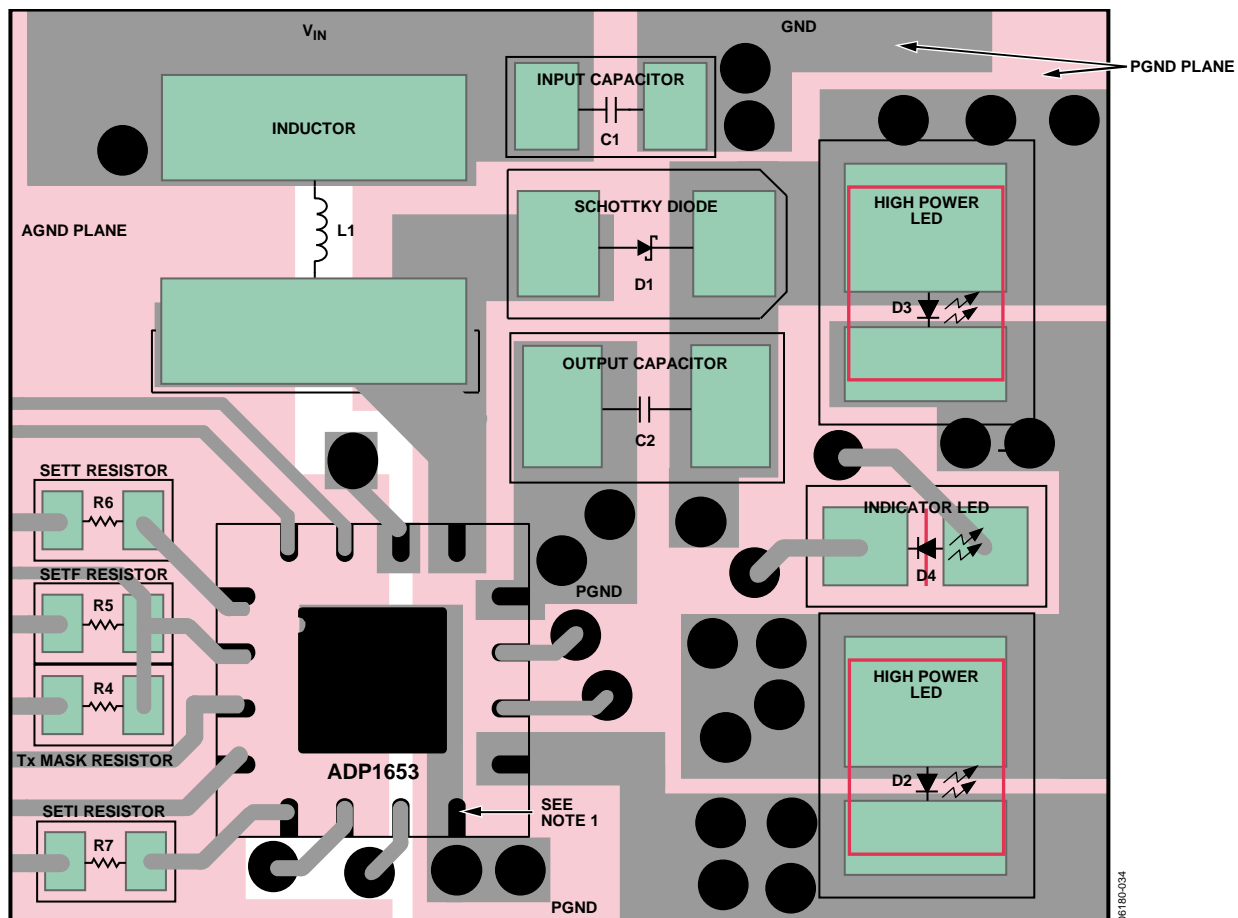
Use the power ground plane to ground the power components. Connect the input capacitor, output capacitor, and the PGND pin (Pin 12) to the PGND plane. If it is not possible to make the PGND plane continuous, use a number of low inductance vias to connect

the planes. Connect the AGND and PGND planes at the paddle or close to the paddle of the ADP1653.

The SETI, SETT, and SETF resistors set a small reference current that generates the LED current. To minimize noise and current error, connect the SETI, SETT, and SETF resistors as close as possible to the ADP1653. Connect the other end of the resistors directly to the AGND plane.

Connect the output capacitor to the high power LED(s), using a wide, low resistance trace. Connect the bottom of the LED string back to the HPLED pin (Pin 9) with a wide trace. The GND pin (Pin 8) is connected to the source of the current regulator NFET. Ensure that there is a low impedance back to the battery for the high power LED current by connecting the GND pin to the PGND plane with a low impedance via(s) close to the GND pin.

The OUT pin is used for soft start and contains a comparator for overvoltage protection. Connect the output capacitor back to the OUT pin (Pin 7) with a direct trace. The trace does not need to be wide.



### NOTES

1. CONNECT THE AGND AND PGND PLANES CLOSE TO PADDLE. THIS IS THE GND RETURN PATH FOR HPLED CURRENT, SO A REASONABLY LARGE VIA SHOULD BE USED TO CONNECT THE AGND AND PGND PLANES.

Figure 34. Example Layout of ADP1653 Driving Two White LEDs, Pink = GND Layer, Gray/Green = Top Layer (a One-LED Layout Is Similar)

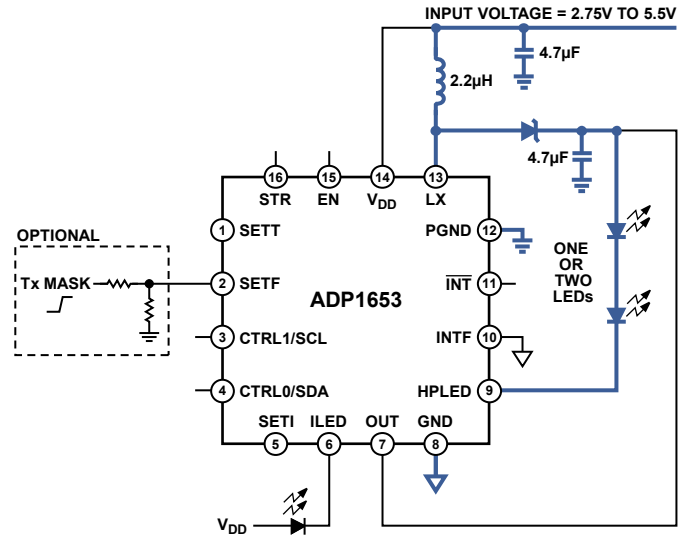


Figure 35. Typical Applications Circuit (High Current Lines Are Shown in Bold)

OUTLINE DIMENSIONS

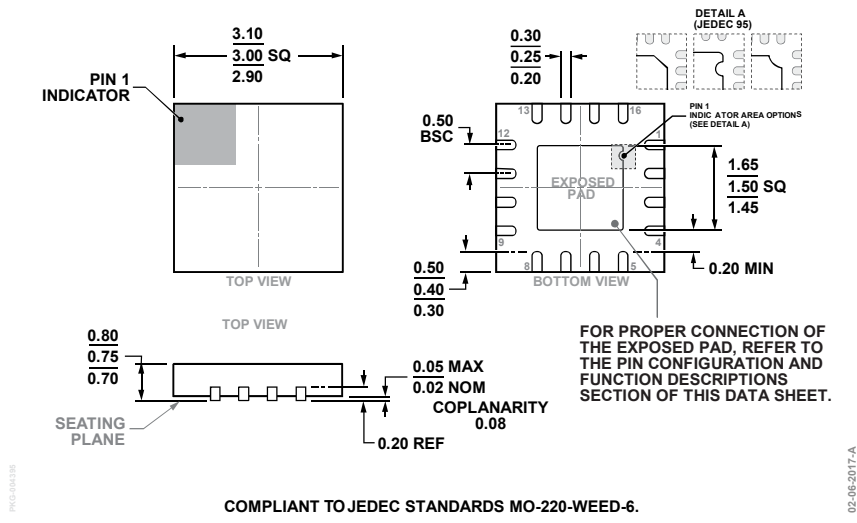


Figure 36. 16-Lead Lead Frame Chip Scale Package [LFCSP]  
3 mm x 3 mm Body and 0.75 mm Package Height  
(CP-16-27)  
Dimensions shown in millimeters

ORDERING GUIDE

Model <sup>1</sup>	Temperature Range	Package Description	Package Option	Branding
ADP1653ACPZ-R7	-40°C to +125°C	16-Lead Lead Frame Chip Scale Package [LFCSP]	CP-16-27	L3H
ADP1653-EVALZ		Evaluation Board		

<sup>1</sup> Z = RoHS Compliant Part.

**NOTES**



**NOTES**