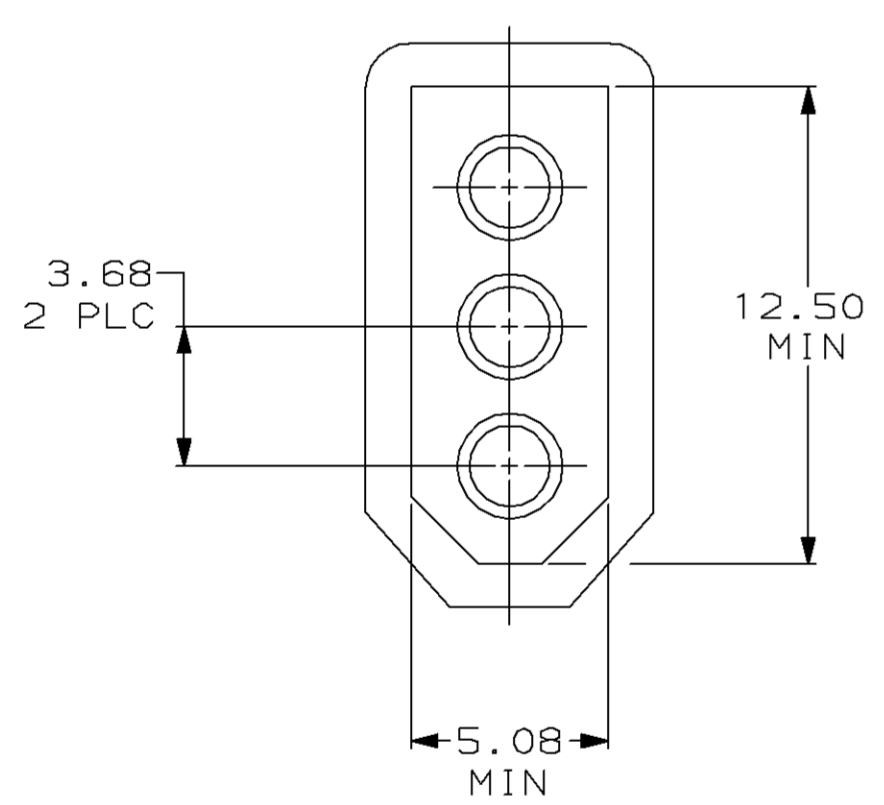
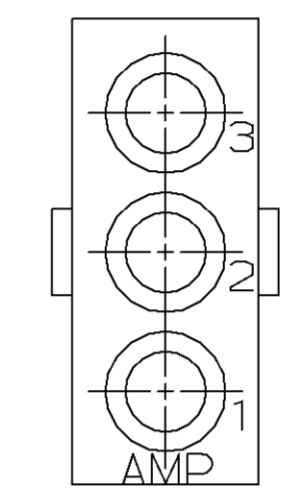
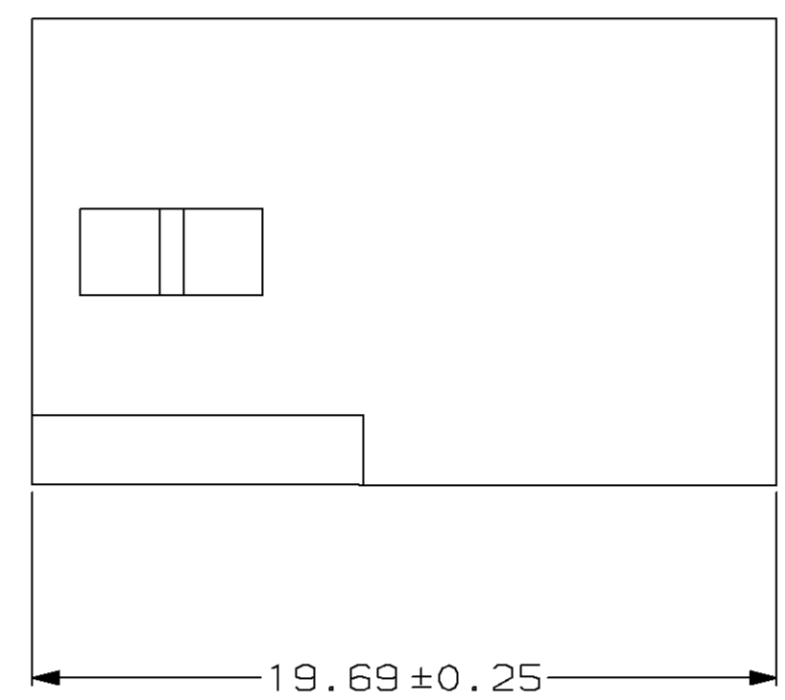
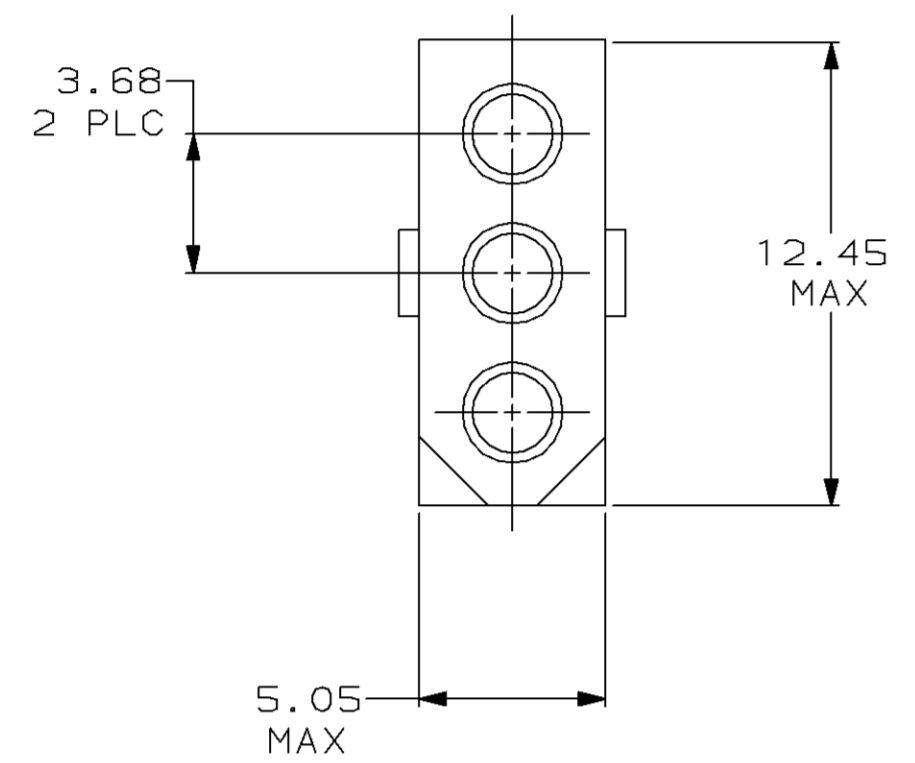
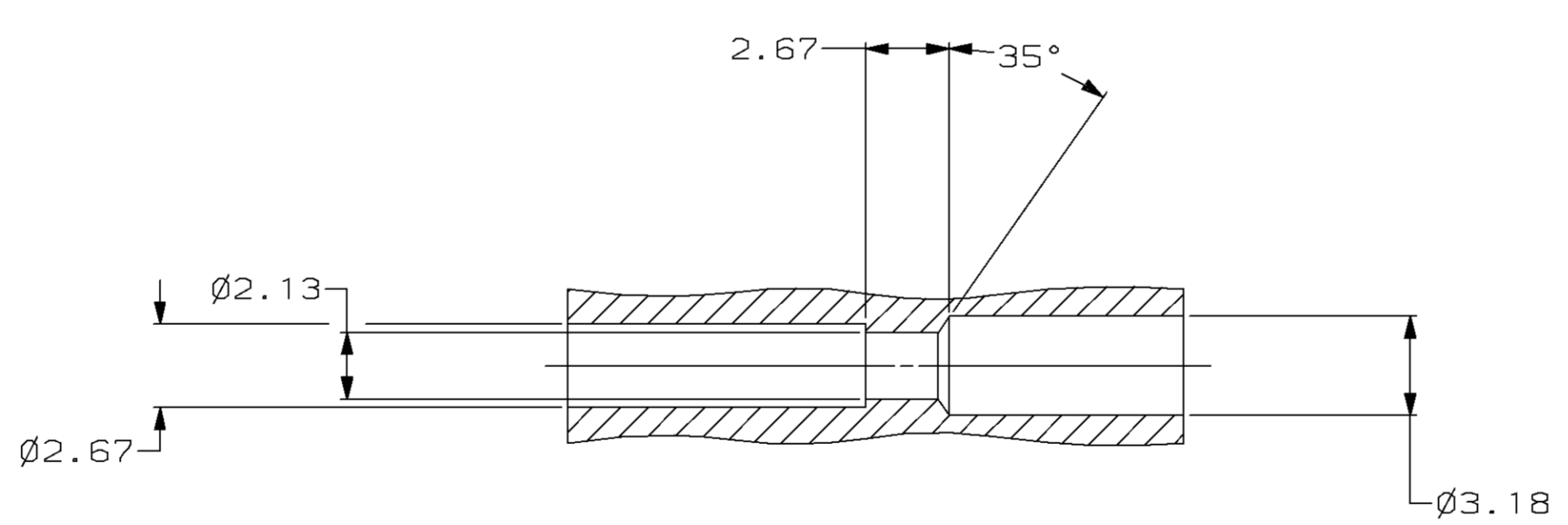


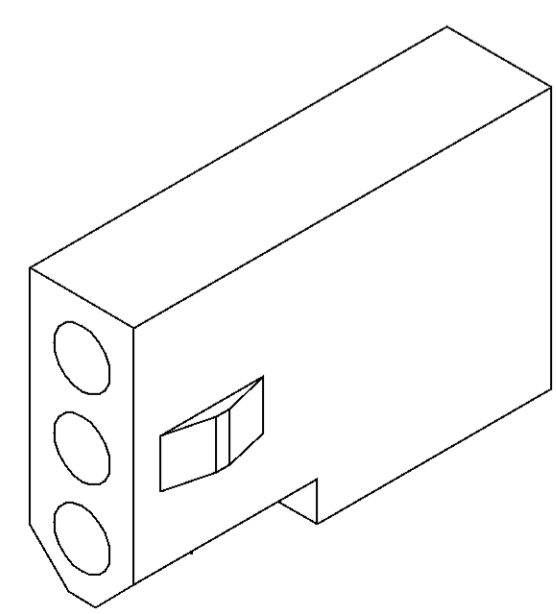
LOC		DIST		P		F		ZONE		LTR		REVISIONS		DATE	APPD	
CM	53												B	REV & REDWN PER CM-11	11-4-93	KW



MATING CONNECTOR INTERFACE



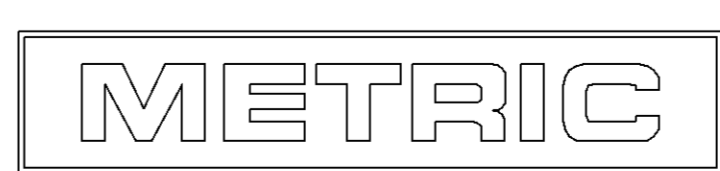
TYPICAL RECEPTACLE CAVITY SECTION  
(DIMENSIONS REFERENCE ONLY)



3-DIMENSIONAL MODEL  
NTS

3.18	.125	19.69	.775
2.67	.105	12.50	.492
2.13	.084	12.45	.490
1.57	.062	5.08	.200
0.25	.010	5.05	.199
0.13	.005	3.68	.145
MM	IN	MM	IN

CONVERSION TABLE



THIS DRAWING IS A CONTROLLED DOCUMENT FOR AMP INCORPORATED. IT IS SUBJECT TO CHANGE AND THE CONTROLLING ENGINEERING ORGANIZATION SHOULD BE CONTACTED FOR THE LATEST REVISION.

770333-1		PART NO	
DO NOT SCALE PRINT. UNLESS SPECIFIED DIMENSIONS IN mm [INCHES] TOLERANCES ON : 2 PLC DEC ± 0.13 3 PLC DEC ± .  ANGLES ± 1°0'		DR 11-4-93 K. WHITAKER	
MATERIAL NYLON, UL 94V-2 NATURAL		CHK 11-4-93 R. SWING	
FINISH -		APPD 11-4-93 C. CASH	
WEIGHT -		APPD 11-4-93 C. CASH	
NAME RECEPTACLE, 3 CIRCUIT, .062 PIN AND SOCKET		SIZE	CAGE CODE
APPLICATION SPEC -		Ø	00779
DRAWING NO C-770333		SCALE	5:1
SHEET 1 OF 1		CUSTOMER DRAWING	