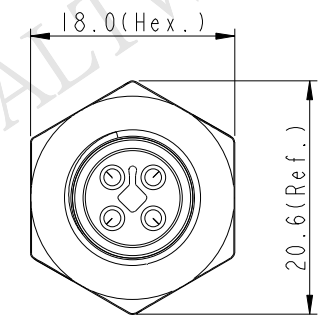
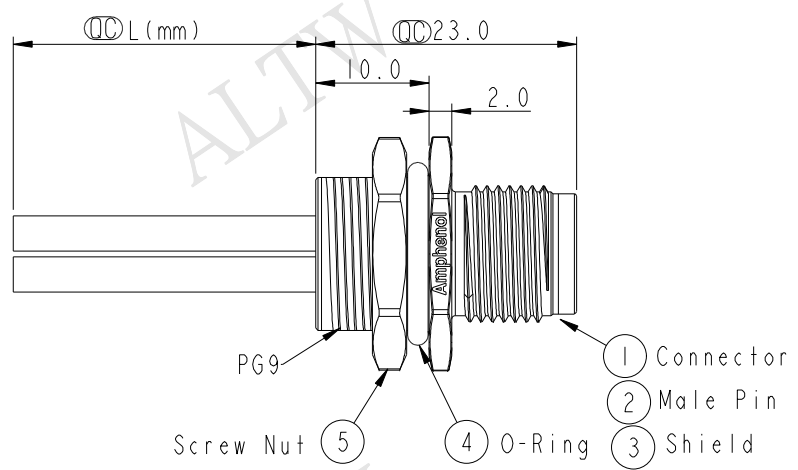
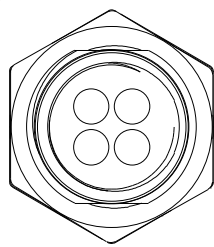


THIS DOCUMENT IS SUBJECT TO CHANGE WITHOUT NOTICE. IT IS CONFIDENTIAL AND A PROPERTY OF Amphenol LTW. DISCLOSURE TO THIRD PARTY HAS TO BE AUTHORIZED BY Amphenol LTW.

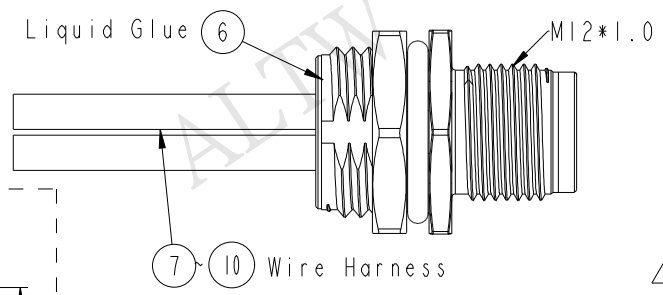
REV.	ECN NO.	DATE	SIGN	DESCRIPTION
A	Initial Release	2015/03/04	Cary	Change Rev. 01 to Rev.A
B	LE317A0021-0022	2017-10-15	Feng_Li	Update The Note

**ALTW**  
CONFIDENTIAL  
2017-10-15  
R&D DEPT.



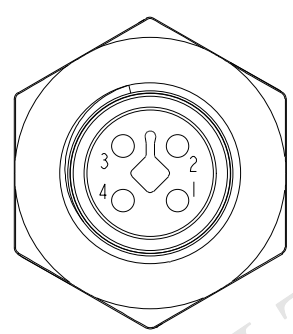
M12T-04PMMS-SH8BXX

- XX: 150~1500mm
- 15: 150mm
- 30: 300mm
- 50: 500mm
- A0: 1000mm
- A5: 1500mm
- Wire Length(L): 150~1500mm

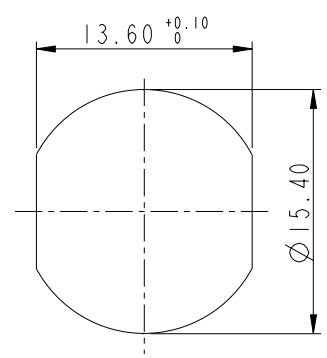


**ALTW**  
DCC. DEPT.  
CONFIDENTIAL  
2017.10.30  
ISSUED

- Note:
- \*  $\varnothing$  Important Dimension.
  - \* Waterproof Rate: IP68.
  - IP68: 1M Depth Of Water In 24hours.
  - \* Housing: Nylon+GF, UL94V-0, Black.
  - \* Male Pin: Copper Alloy, Gold Plated.
  - \* Shield: Zinc Alloy, Nickel Plated.
  - \* Panel Nut: Zinc Alloy, Nickel Plated.
  - \* O-Ring: Viton, Black.
  - \* Wire Harness: UL1015 16AWG(1.5mm<sup>2</sup>).
  - \* Rated Voltage: 60V DC.
  - \* Rated Current at 40°C: 12A
  - \* Operation Temperature: -40~85°C.
  - \* For Panel Thickness Max 4.5mm.
  - \* Nut Torque: 4-6 Kgf.cm(0.4~0.6N.m).
  - \* Wire harness Tolerance: 150~300 ±15mm  
301~1000 ±20mm  
Over1000 ±40mm



Pin Assignment  
Front View



Recommended  
Panel Cut-Out

4	Black	黑
3	Blue	藍
2	White	白
1	Brown	棕
Conn.	Wire Color	Pin Out

UNIT:mm		
TOLERANCE	.X ±0.25	
	.XX ±0.1	
	.XXX ±0.05	
ANGLES	±1°	

TITLE M12 T-Code 4Pin Male Type			
SCALE 1:1	SIZE A4	SHEET 1 OF 1	
REV. B	WC-REV. A.1	$\varnothing$ : Inspection item	

**Amphenol LTW**  
安費諾亮泰企業股份有限公司

ITEM NO	DRAWN BY Feng_Li	DATE 2017-10-15
DWG NO M12T-04PMMS-SH8BXX	CHECKED BY Mafei	DATE 2017-10-15
CUSTOMER ALTW	APPROVED BY Jerry	DATE 2017-10-15

