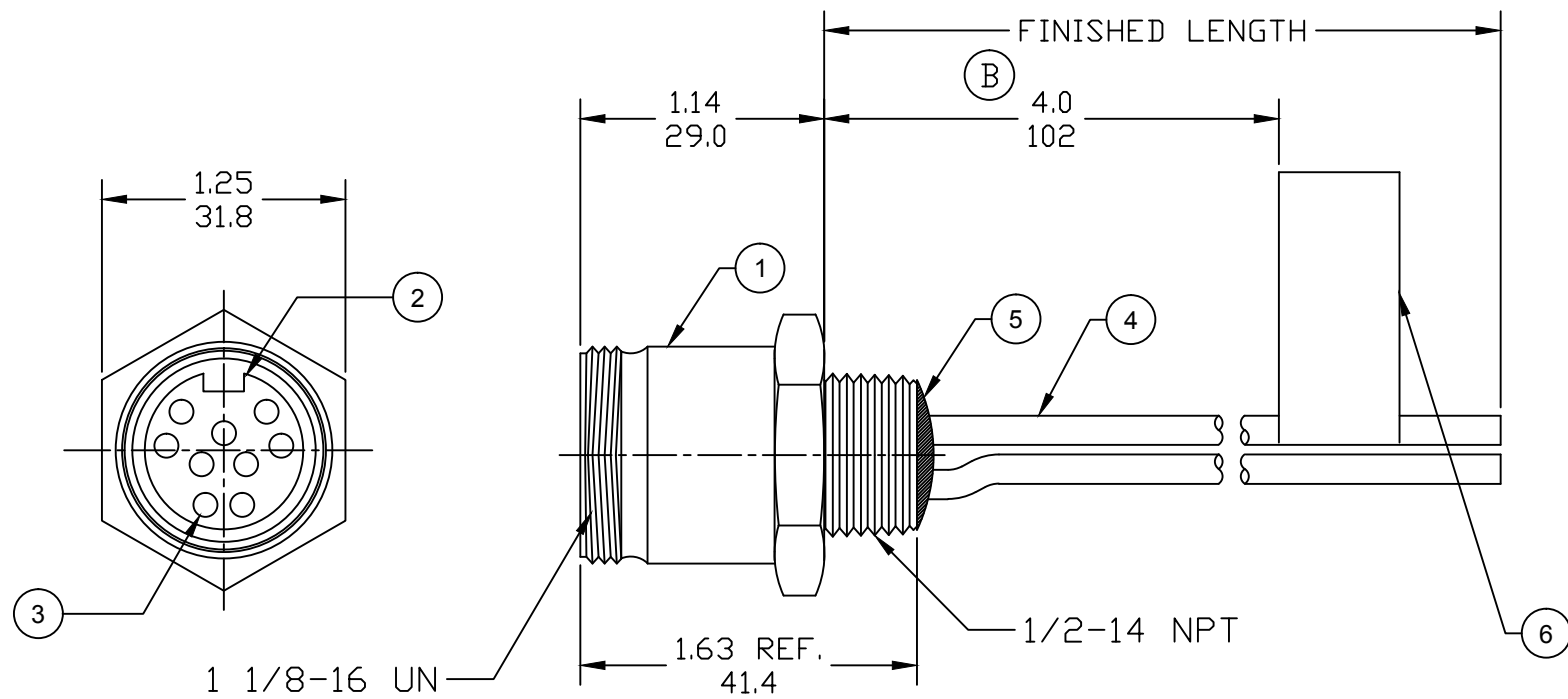


FACE VIEW-FEMALE INSERT		
1 ORANGE 2 BLUE 3 RED/BLACK 4 GREEN/BLACK 5 WHITE 6 RED 7 GREEN/YELLOW 8 WHITE/BLACK 9 BLACK	1 ORANGE 2 BLUE 3 WHITE/BLACK 4 RED/BLACK 5 GREEN/BLACK 6 ORANGE/BLACK 7 RED 8 GREEN/YELLOW 9 BLACK 10 WHITE	1 ORANGE 2 BLUE 3 WHITE/BLACK 4 RED/BLACK 5 GREEN/BLACK 6 ORANGE/BLACK 7 BLUE/BLACK 8 BLACK/WHITE 9 GREEN/YELLOW 10 RED 11 WHITE 12 BLACK



- NOTES:**
- MATERIAL:** AS NOTED
 - FINISH:** AS NOTED
 - ELECTRICAL:**
 VOLTAGE: 250V PER IEC60664
 600V PER UL2238
 CURRENT: 9 POLE: 7A
 10 POLE: 7A
 12 POLE: 5A
 - TEMP RATING:** -20°TO +105°C
 - PROTECTION:** IP67 (WHEN MATED)
 - DIMS ARE FOR REFERENCE UNLESS OTHERWISE NOTED**

PART NUMBER LEGEND

3R1004A20F0101

POLES: 9= 9 POLES, 1=10 POLES, 2=12 POLES

COUPLING: BLANK= STD (SEE BOM), 1= 303 STAINLESS ST.

LENGTH: A120= 12 INCHES, F001= .1 FT, F020= 2 FT, F200= 20 FT

M005= 0.5 METER, M010= 1 METER, M100= 10 METER

ITEM	DESCRIPTION	MATERIAL	FINISH
6	FLAG LABEL	VINYL	BLACK/YELLOW
5	POTTING MATERIAL	EPOXY	
4	WIRE, 16 AWG UL (1015)	PVC INSULATION	SEE CHART
3	CONTACT SOCKET	COPPER ALLOY	GOLD PLATED
2	FEMALE INSERT (C-SIZE)	PVC	YELLOW
1	RECEPTACLE SHELL	ZINC DIE-CAST	BLACK

REVD NOTES 3 & 6, PIN LEGEND EC NO: IPG2017-0578 DRWN: RSTONE 12/8/16 CHKD: K COX 2016/12/15 APPR: BWOODMAN 2016/08/19	QUALITY SYMBOLS ▽=0 ▽=0	GENERAL TOLERANCES (UNLESS SPECIFIED) 4 PLACES ±--- ±--- 3 PLACES ±--- ±--- 2 PLACES ±--- ±--- 1 PLACE ±--- ±--- ANGULAR ±2°	DIMENSION STYLE IN/MM	SCALE --- DESIGN UNITS INCH	THIRD ANGLE PROJECTION	
	DRAFT WHERE APPLICABLE MUST REMAIN WITHIN DIMENSIONS		DRAWN BY DATE RSTONE 2016/07/11	TITLE MINI-CHANGE RECEPTACLE 9, 10 & 12 POLE, FEMALE 16 AWG		
			CHECKED BY DATE K COX 2016/12/15	MOLEX INCORPORATED		
			APPROVED BY DATE TWOLDEGE 2016/08/19	MATERIAL NO. - DOCUMENT NO. SD-130015-026	SHEET NO. 1 OF 1	

THIS DRAWING CONTAINS INFORMATION THAT IS PROPRIETARY TO MOLEX INCORPORATED AND SHOULD NOT BE USED WITHOUT WRITTEN PERMISSION