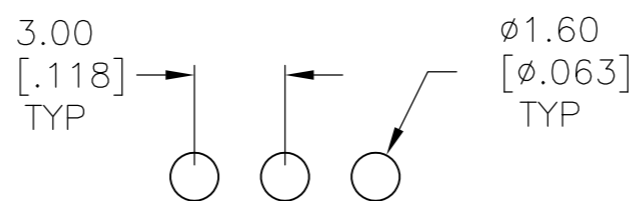
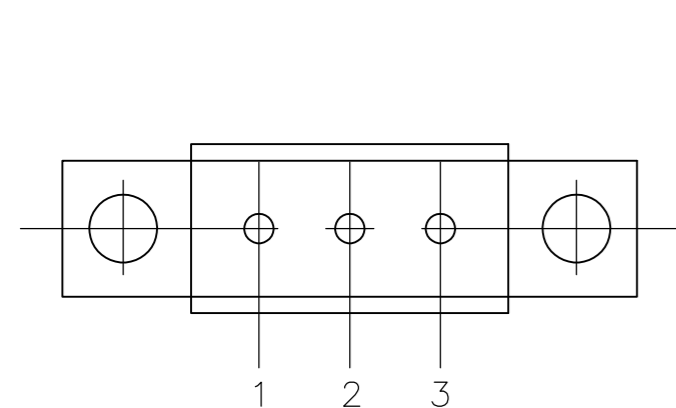
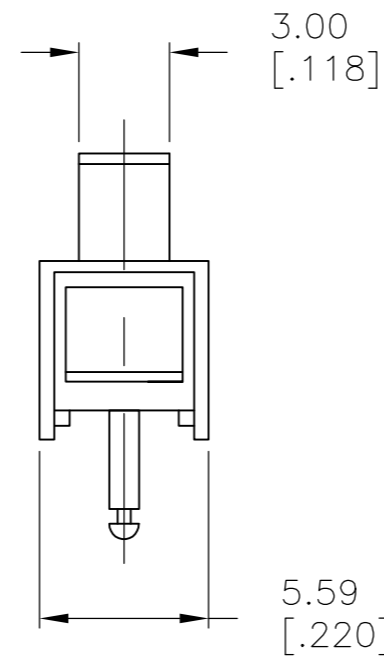
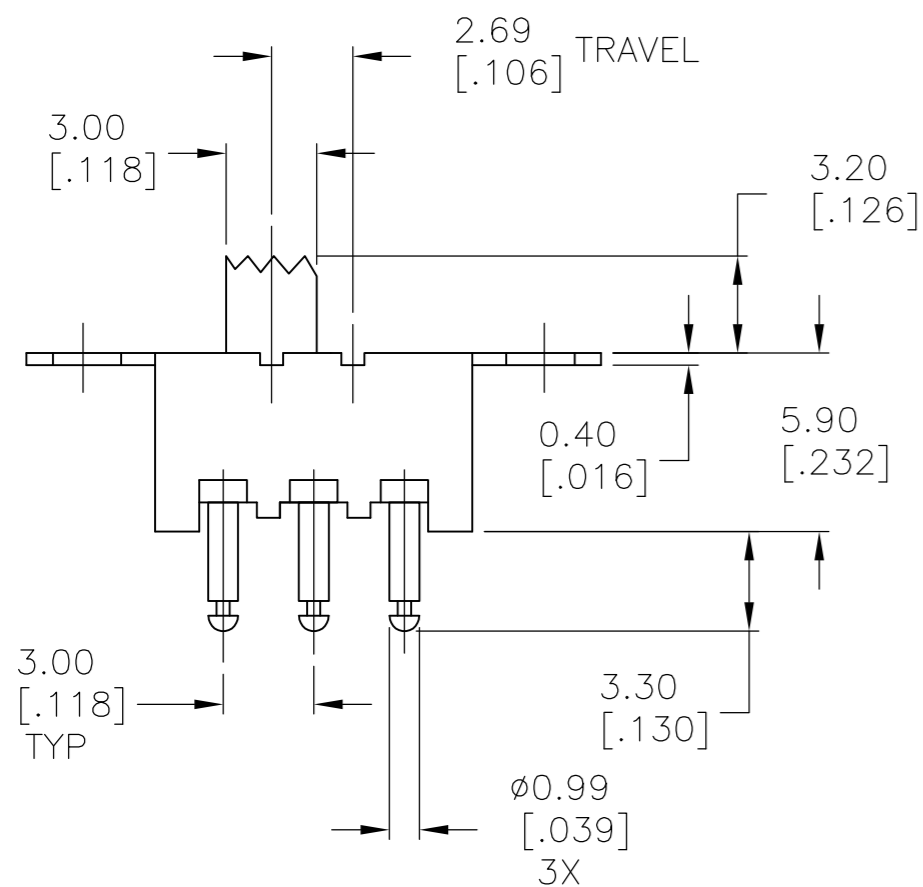
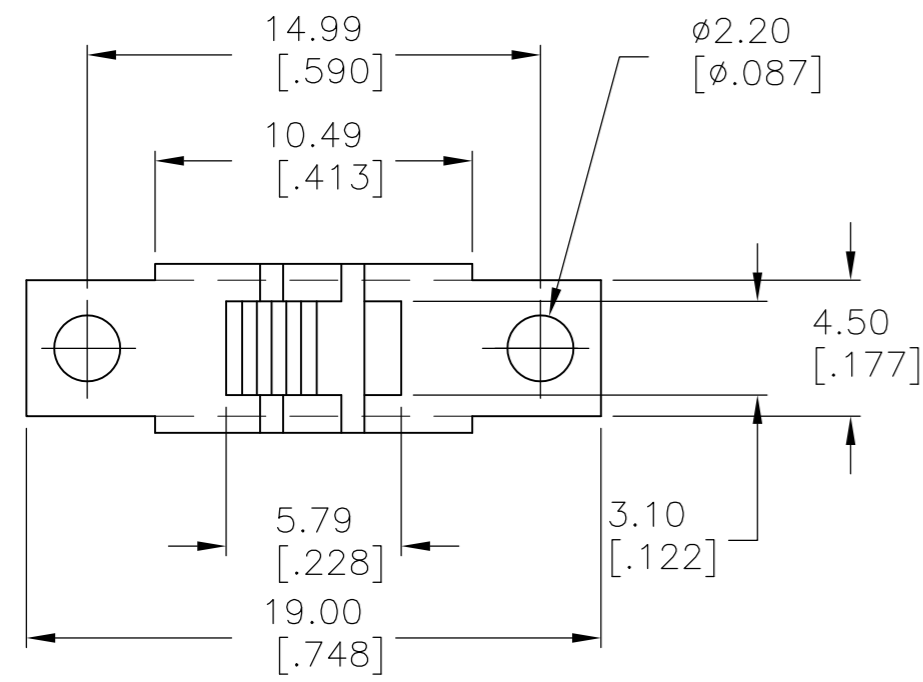


THIS DRAWING IS UNPUBLISHED. RELEASED FOR PUBLICATION  
 © COPYRIGHT BY TYCO ELECTRONICS CORPORATION. ALL RIGHTS RESERVED.

LOC		DIST		REVISIONS			
P	LTR	DESCRIPTION	DATE	DWN	APVD		
B		ECO-07-016003	16OCT07	MB	MS		



RECOMMENDED HOLE LAYOUT

SPECIFICATIONS:  
 BREAK-BEFORE-MAKE

MATERIALS:  
 FRAME-STEEL, ZINC PLATE  
 ACTUATOR-PBT G30, BLACK  
 FIXED CONTACT/TERMINAL-COPPER ALLOY, SILVER OVER NICKEL PLATE  
 MOVING CONTACT-COPPER ALLOY, SILVER OVER NICKEL PLATE  
 COIL SPRING-STEEL WIRE  
 LEAF SPRING-COPPER ALLOY  
 TERMINAL BOARD-PHENOLIC, UL94HB

ELECTRICAL:  
 CONTACT RATING- 500 MILLIAMPS@125V AC  
 CONTACT RESISTANCE- 30 MILLIOHMS MAX (INITIAL), 60 MILLIOHMS AFTER TEST  
 INSULATION RESISTANCE- 500 MEGOHMS MIN AT SEA LEVEL  
 DIELECTRIC STRENGTH- 500 VAC RMS AT SEA LEVEL  
 LIFE EXPECTANCY- 10,000 CYCLES MIN, NO LOAD & 6,000 MIN AT RATED CURRENT

MECHANICAL:  
 ACTUATION FORCE- 350±200 GRAMS  
 TRAVEL- 2.69[.106]

ENVIRONMENTAL:  
 OPERATING TEMPERATURE- -20°C TO +85°C  
 STORAGE TEMPERATURE- -40°C TO +100°C  
 RESISTANCE TO SOLDER HEAT- 260°C FOR 10 SEC PER 109-202, CONDITION B  
 SOLDERABILITY- PER EIA-364-56A, PROCEDURE 3, CONDITION B

1. ALL MATERIALS AND FINISHES SHALL COMPLY WITH EU DIRECTIVE 2002/95/EC OF 27JAN2003 (ROHS)
2. ALL PERFORMANCE SPECIFICATIONS WERE TESTED IN ACCORDANCE WITH JIS-C-5441 UNLESS OTHERWISE STATED.

1-2	2-3	SLSA12004	1825081-1
LEFT	RIGHT	ALCO PART NUMBER	PART NUMBER
ACTUATOR POSITION			

THIS DRAWING IS A CONTROLLED DOCUMENT.		DWN BS VISWESWARA	01MAR05	Tyco Electronics Corporation Harrisburg, Pa 17105-3608	
DIMENSIONS: mm [INCHES]		CHK MS SARVER	APVD -	NAME SLIDE SWITCH SLSA-120, SPDT	
TOLERANCES UNLESS OTHERWISE SPECIFIED:		PRODUCT SPEC -	APPLICATION SPEC -	SIZE A2	CAGE CODE 00779
MATERIAL -		FINISH -	WEIGHT -	DRAWING NO C=1825081	
CUSTOMER DRAWING			SCALE 4:1	SHEET 1 OF 1	REV B

1825081