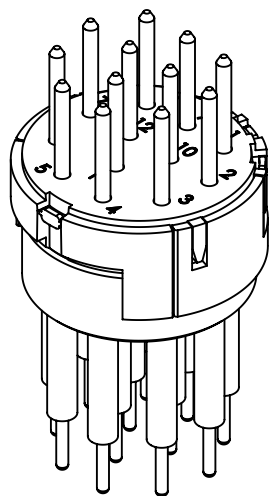
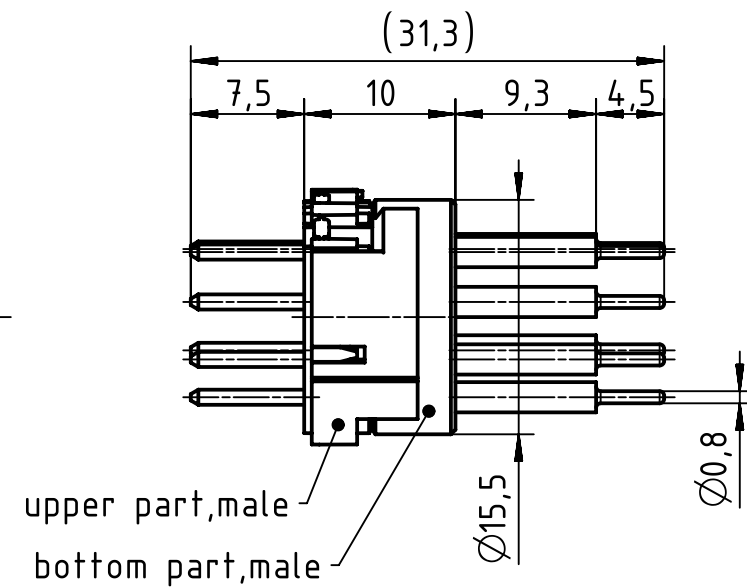
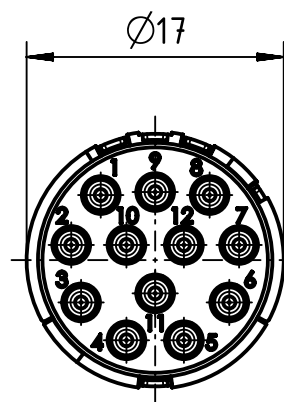
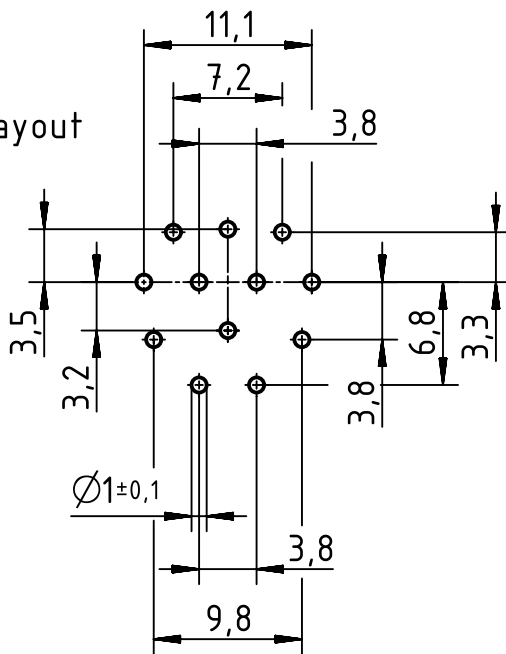



PCB layout



	All rights reserved Department EL PD - DE	All Dimensions in mm Original Size DIN A4		Scale 2:1	Free size tol.	Ref.
		HARTING Electric GmbH & Co. KG D-32339 Espelkamp	Created by HELLMANN	Inspected by RIEPE	Standardisation RUETERA	Date 2017-02-23
Title Han M23 12 Male -soldered contact						Doc-Key / ECM-Nr. 100709413/UGD/000/A 500000115496
Type TB				Number 09 15 112 2603		Rev. A
						Page 1/1