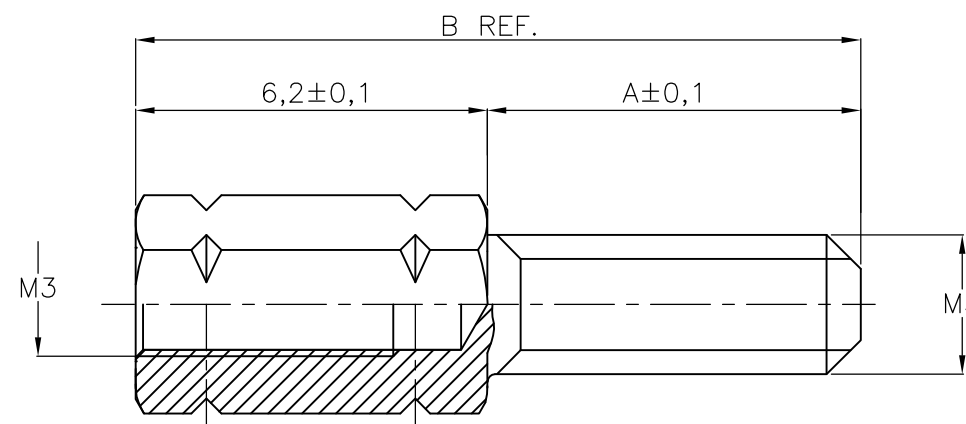
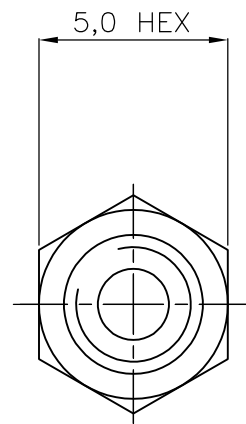


THIS DRAWING IS UNPUBLISHED. RELEASED FOR PUBLICATION
 © COPYRIGHT BY TYCO ELECTRONICS CORPORATION. ALL INTERNATIONAL RIGHTS RESERVED.

LOC	DIST	REVISIONS					
		P	LTR	DESCRIPTION	DATE	DWN	APVD
H	—		B	H-9720	21-04-92	S.M.	—
			D	ECR-09-000314	21-05-09	AEG	KMA



OBSOLETE	—	8,0	14,2	UNPLATED	ARCAP	4-829068-3
	—	8,0	14,2	TINPLATED	BRASS	4-829068-1
OBSOLETE	—	3,0	9,2	UNPLATED	ARCAP	3-829068-3
	—	3,0	9,2	TINPLATED	BRASS	3-829068-1
OBSOLETE	—	11,0	17,2	UNPLATED	ARCAP	2-829068-3
	—	11,0	17,2	TINPLATED	BRASS	2-829068-1
OBSOLETE	—	9,7	15,9	UNPLATED	ARCAP	1-829068-3
	—	9,7	15,9	TINPLATED	BRASS	1-829068-1
OBSOLETE	—	5,0	11,2	UNPLATED	ARCAP	829068-3
	—	5,0	11,2	TINPLATED	BRASS	829068-1
		DIM "A"	DIM "B"	FINISH	MATERIAL	ORDER NUMBER

THIS DRAWING IS A CONTROLLED DOCUMENT.		DWN D.KESSLER 02APR91	Tyco Electronics Corporation 's-Hertogenbosch, Nederland				
DIMENSIONS: mm		CHK C.V.TILBURG 23APR91					
TOLERANCES UNLESS OTHERWISE SPECIFIED:		APVD L.V.SOEST 25APR91	NAME SCREWLOCK, FEMALE HD-SERIES				
0 PLC ± - 1 PLC ± 0,2 2 PLC ± - 3 PLC ± - 4 PLC ± - ANGLES ± -		PRODUCT SPEC —	APPLICATION SPEC —				
MATERIAL —		FINISH —	WEIGHT —	SIZE A3	CAGE CODE 00779	DRAWING NO C-829068	RESTRICTED TO —
CUSTOMER DRAWING			SCALE NTS	SHEET 1 OF 1	REV D		