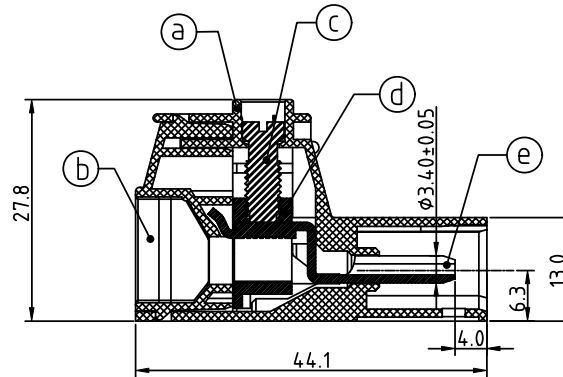
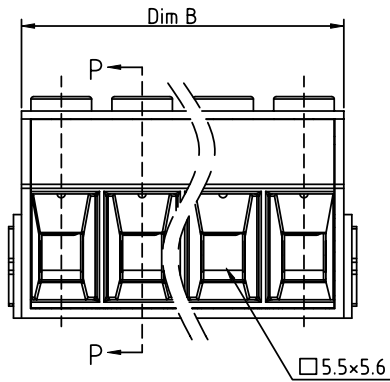
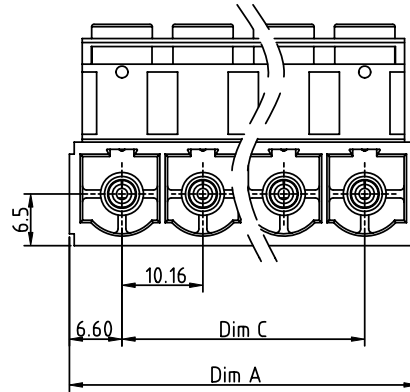
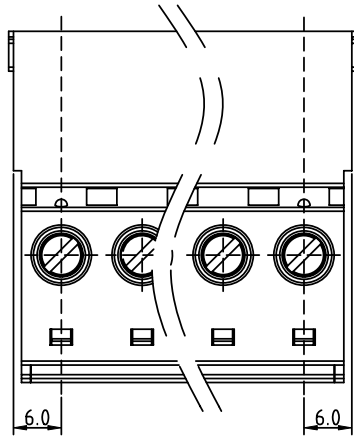


PRODUCT NUMBER	PITCH
KKxx61x000J0G	10.16 mm



Material:

- Item (a) Terminal body: Thermoplastic (UL94V-0)
- Item (b) Terminal cover: Thermoplastic (UL94V-0)
- Item (c) Terminal screw: Steel Zinc plating "-" slot type
- Item (d) Clamp: Brass, Ni plated
- Item (e) Pin: Copper Gold plated

Electrical cULus

- Voltage rating: 600VAC
- Current rating: 55A
- Solid wire: 6-20
- Stranded wire: 6-20
- Torque: 18 Lb-In
- Screw: M4.5
- Wire strip length: 13-14mm
- Withstanding Voltage: 1.6KV
- Operating temperature: -40°C to +115°C
- Safety Approval:

N=Number of poles

Dim A	$N \times 10.16 + 3.04$
Dim B	$N \times 10.16 - 0.16$
Dim C	$(N-1) \times 10.16$

Poles	Tolerance
2P-4P	±0.25
5P-7P	±0.30
8P-10P	±0.35
11P-12P	±0.45

PART NO.: **KK xx 61 x 0 00J0 G**

Solid block	0	Black (RAL9005)	RoHS compliant (lead<4%) In copper Alloy	
No. of poles	2	Red (RAL3001/D)		
02	2 poles	3		Orange (RAL2011/P)
03	3 poles	4		Yellow (RAL1018/A)
...	...	5		Green (RAL6018/T)
12	12 poles	6		Blue (RAL5015/A)
		8		Grey (RAL7035/D)
		9		White (RAL1102)
		C		Green (RAL6018/U)

mat'l. code		surface ASME Y14.5 ✓	tolerance ASME Y14.5	projection 	product family TERMINAL BLOCK
ltr	ecn no	dr	date	MM	title TERMINAL BLOCK PLUGGABLE PLUG
tolerances unless otherwise specified					
angles		X.±0.5		scale	dwg no KKxx61x000J0G
X*±1"		X.XX±0.1			
dr	ENGR	ENGR	ENGR		sheet 1 of 1
enr	EVIN ZHONG	EVIN ZHONG	EVIN ZHONG		size A4
chr	HANKE FENG	HANKE FENG	HANKE FENG		type CUSTOMER Drawing
appd	SHI JUN	SHI JUN	SHI JUN		
sheet index	revision	A	1		