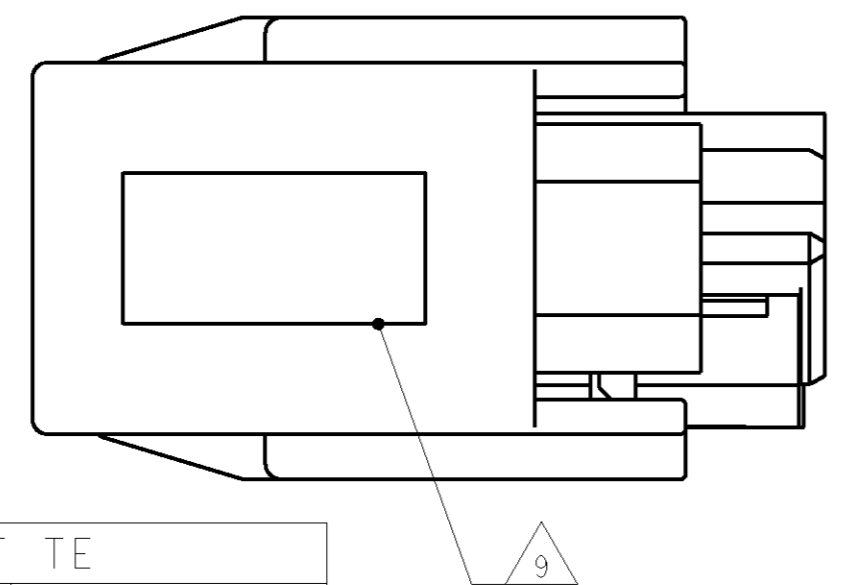
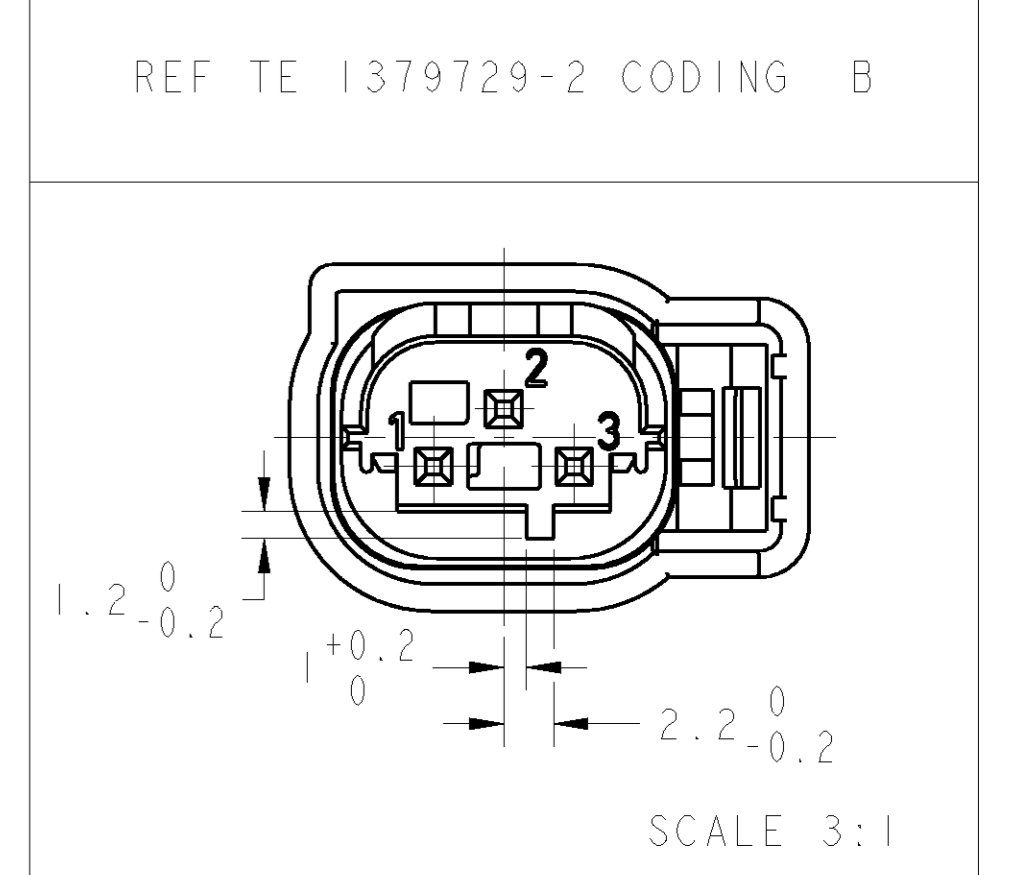
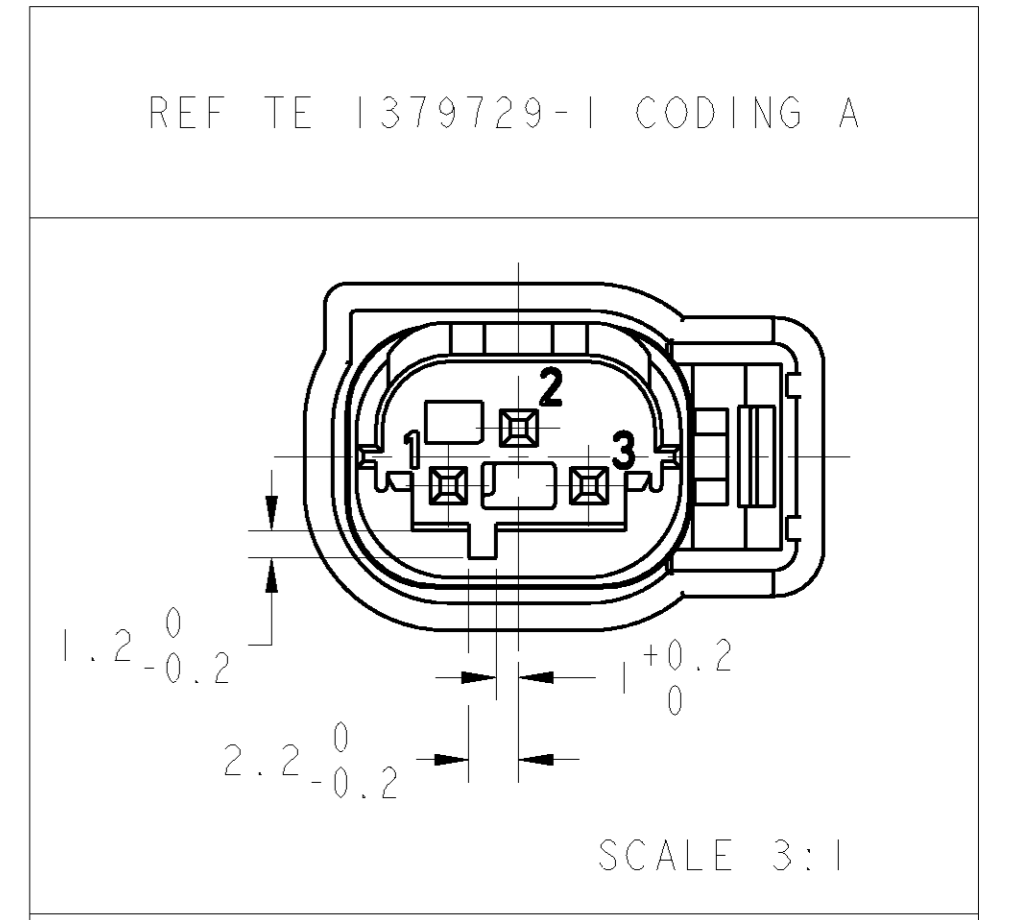
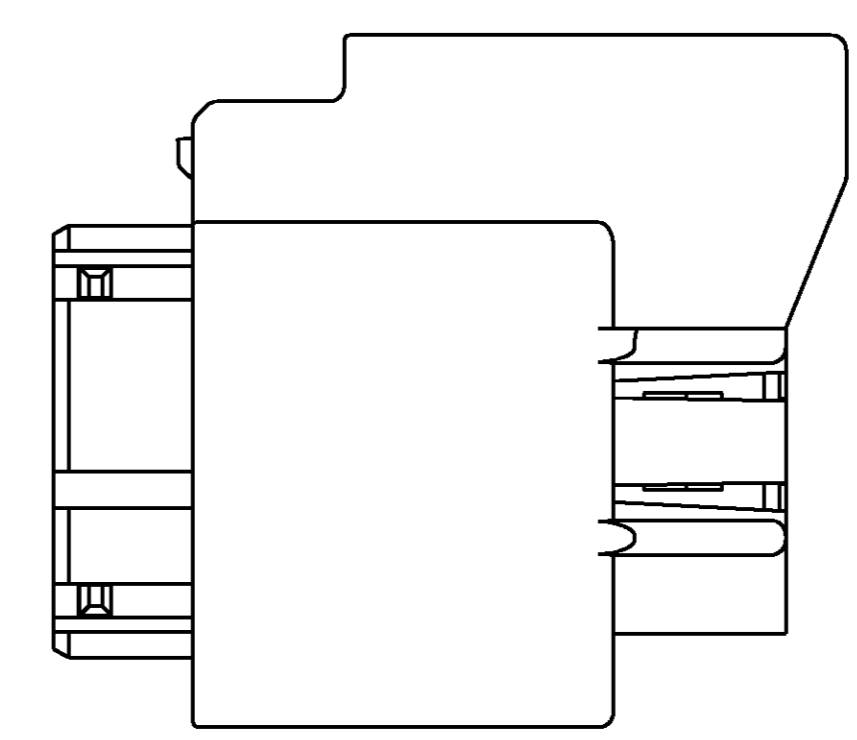
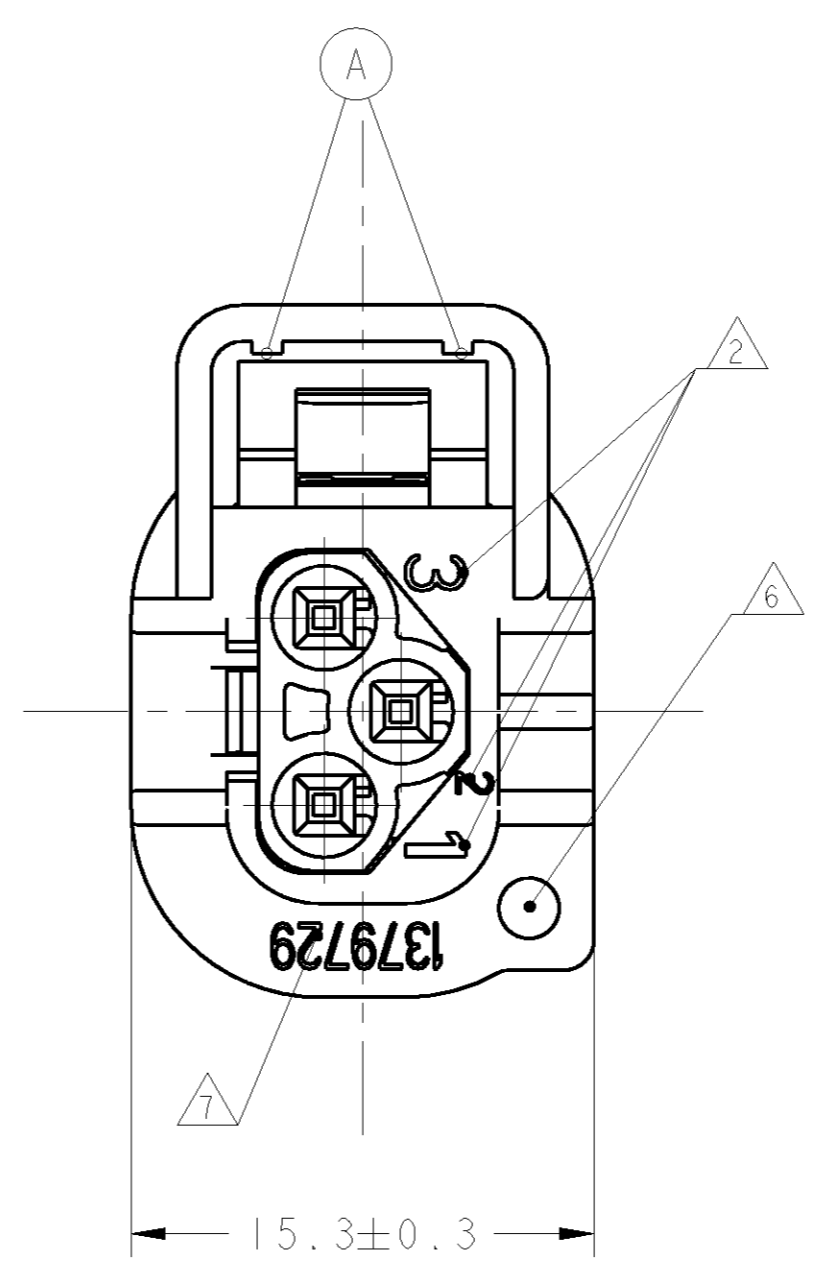
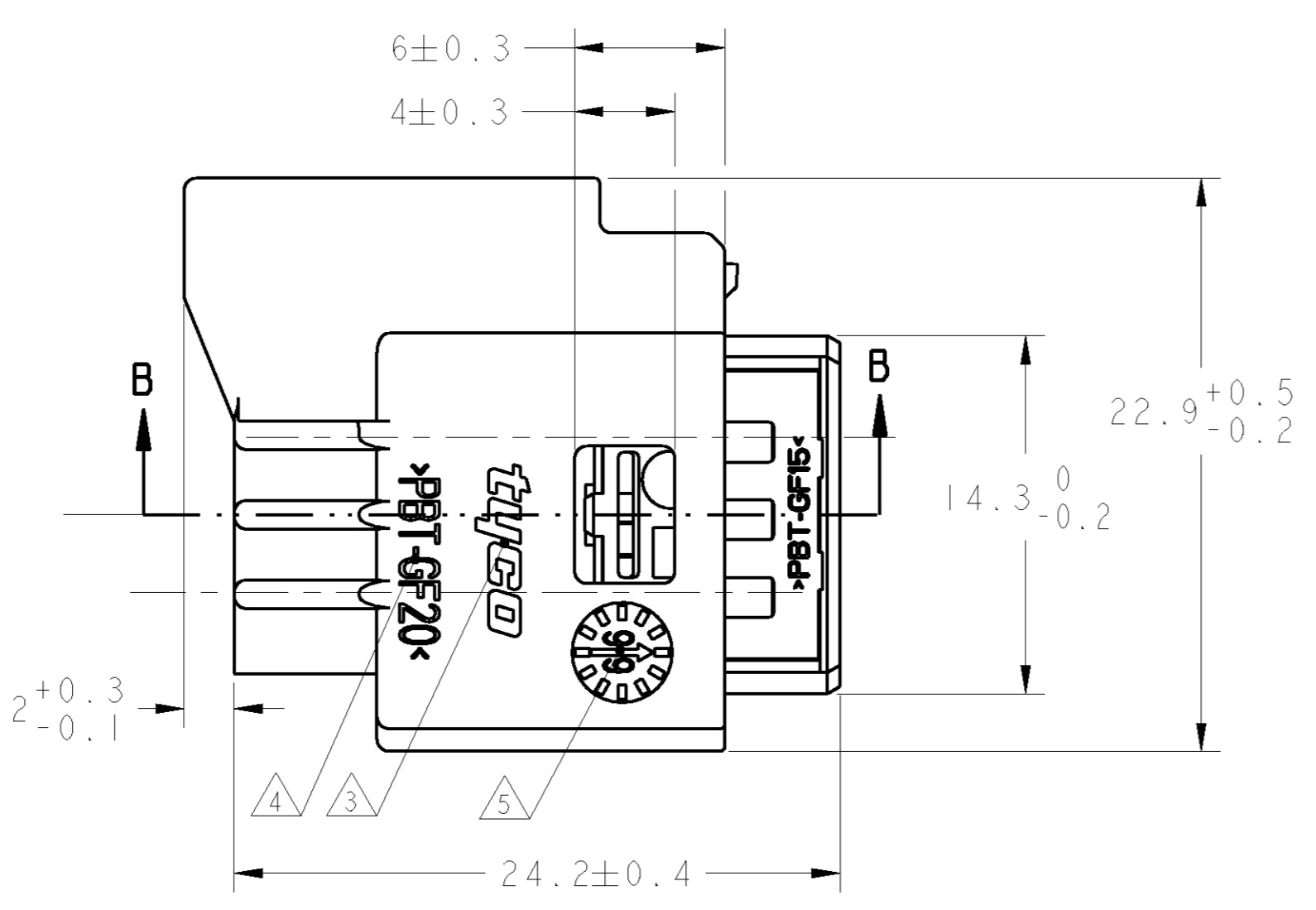
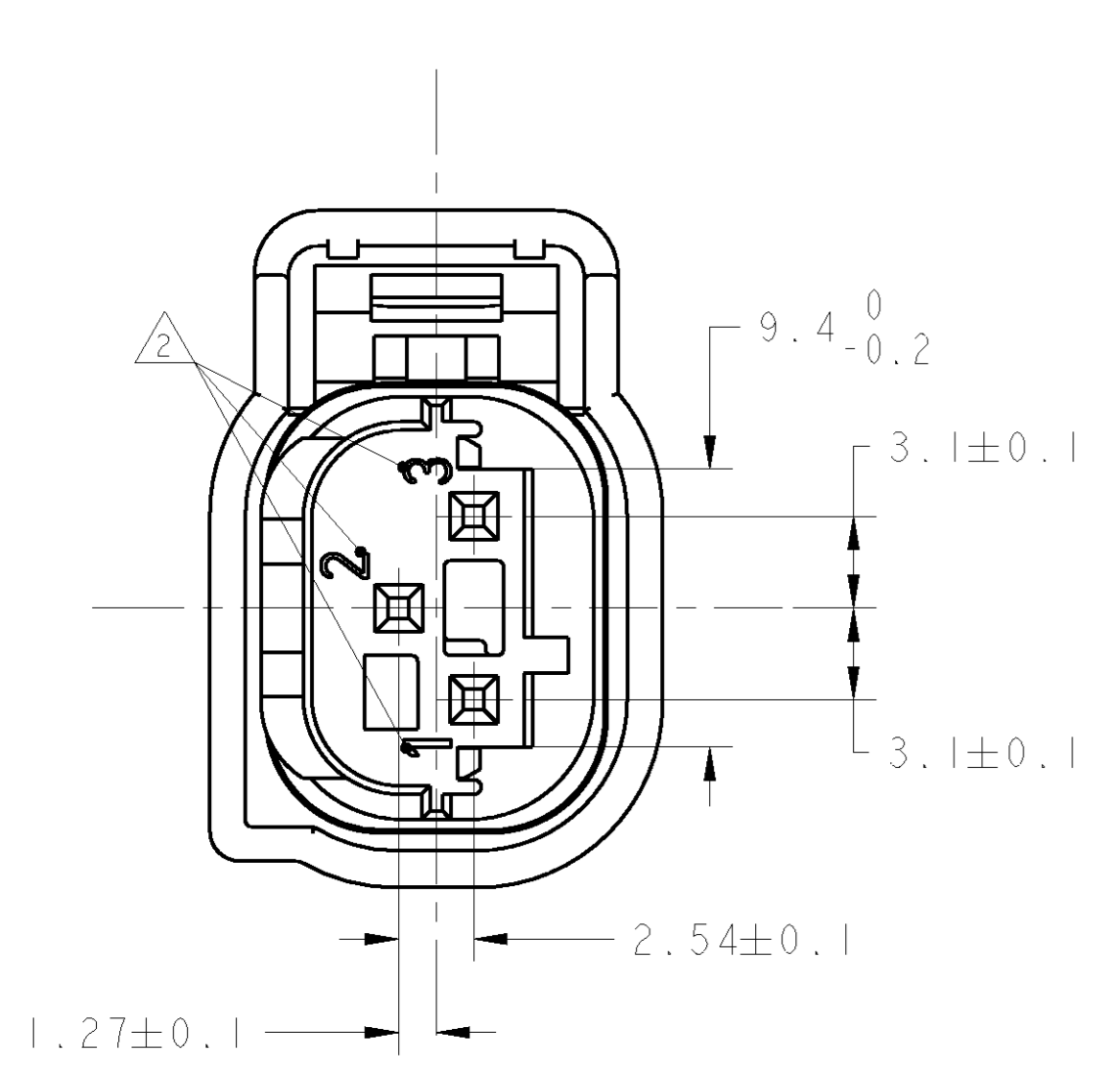
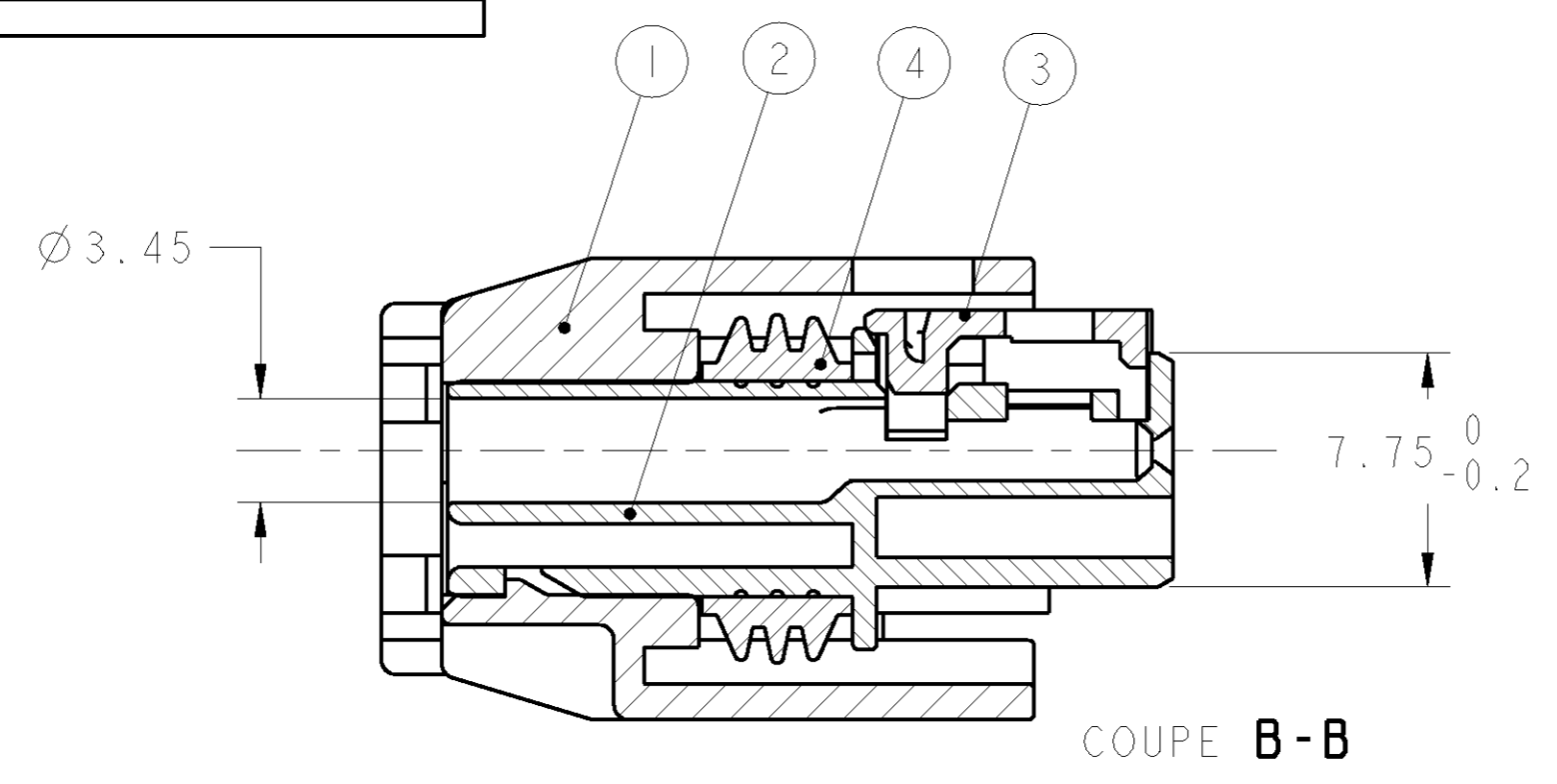


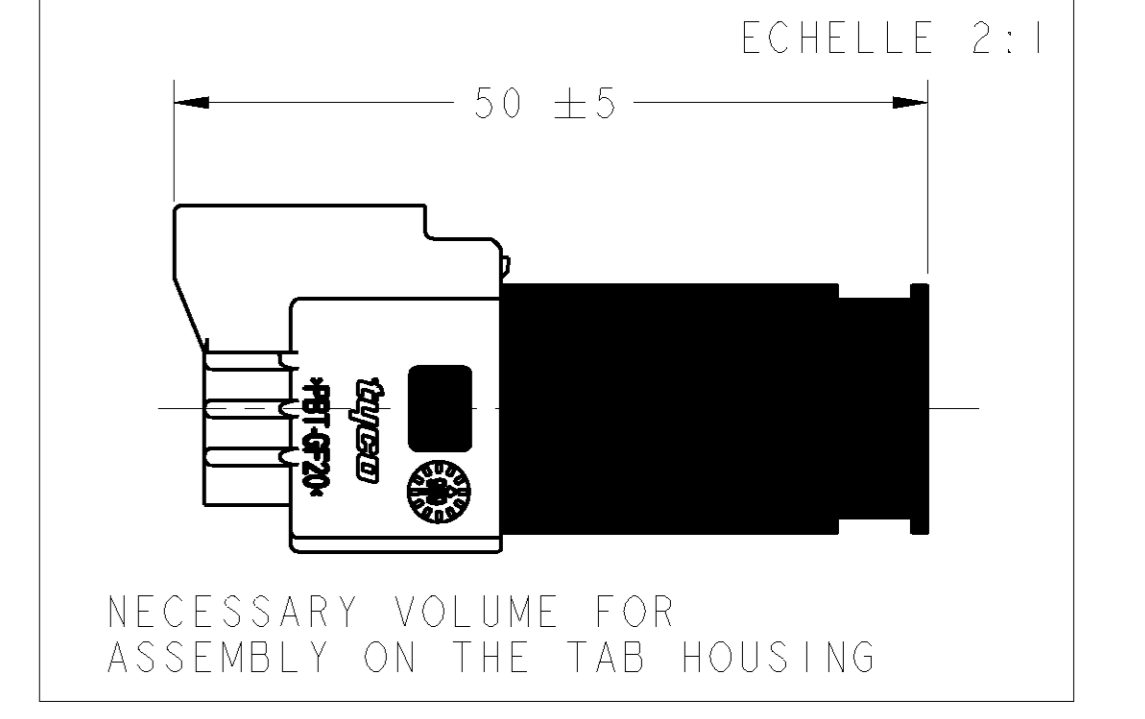
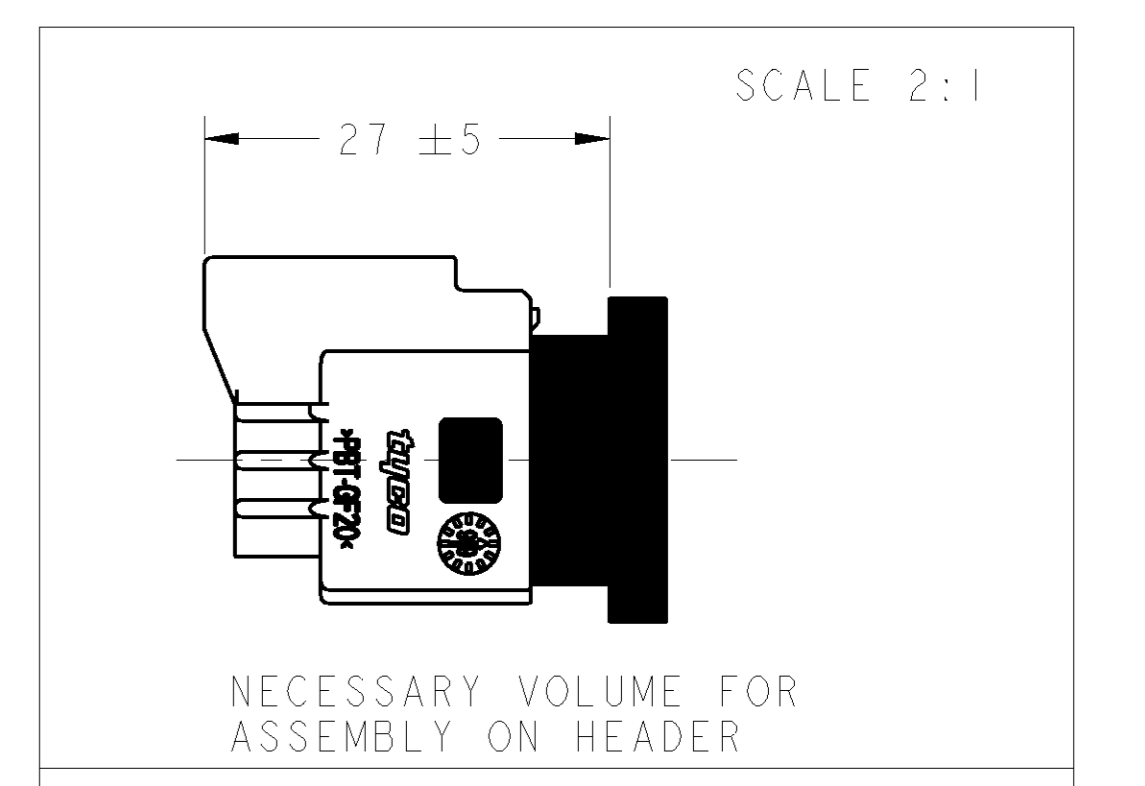
LOC	DIST	REV	DESCRIPTION	DATE	DWN	APP
F	00	B	0.2 sqmm wire suppressed for PN 962855-X	29OCT2007	MP	EC



- NOTES :
- 1 - 1379729-1 AS SHOWN - CODING A
 - 2 CAVTITY MARKING
 - 3 TE STAMP
 - 4 MATERIAL MARKING
 - 5 DATE CODE
 - 6 MOLD CAVITY MARKING
 - 7 P/N TE
 - 8 - INSTRUCTIONS SHEET : 411-15670
 - 9 POSSIBLE AERA FOR ASSEMBLY DATE CODE
 - 10 - PART USED WITH : SEE TABLE

REP	DESIGNATION	MATERIAL	REF TE	
			1379729-1 CODING A	1379729-2 CODING B
1	COVER	PBT FV	BLACK	BLACK
2	SOCKET HOUSING	PBT FV	BLACK	GRAY
3	LOCKING DEVICE	PBT FV	GREEN	GREEN
4	INTERFACE SEAL	SILICONE	ORANGE	ORANGE

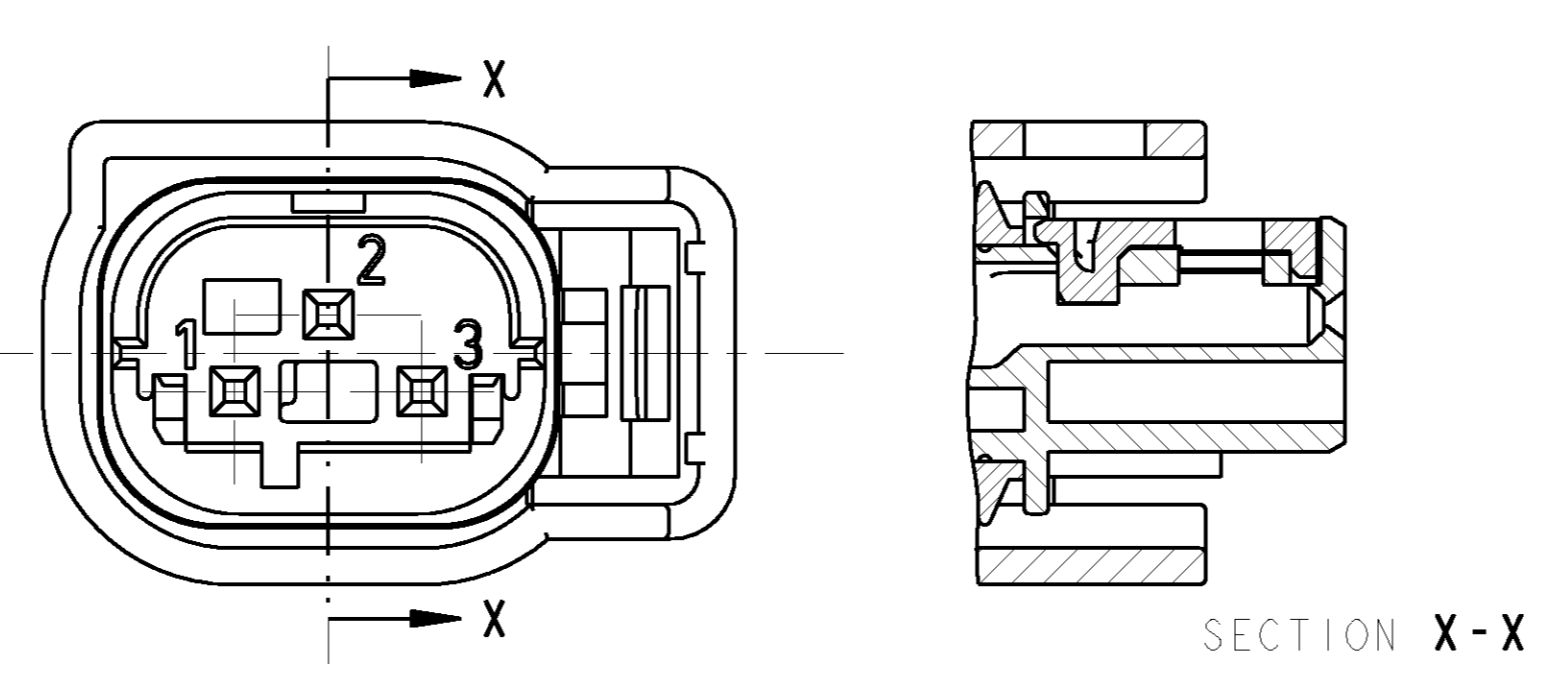
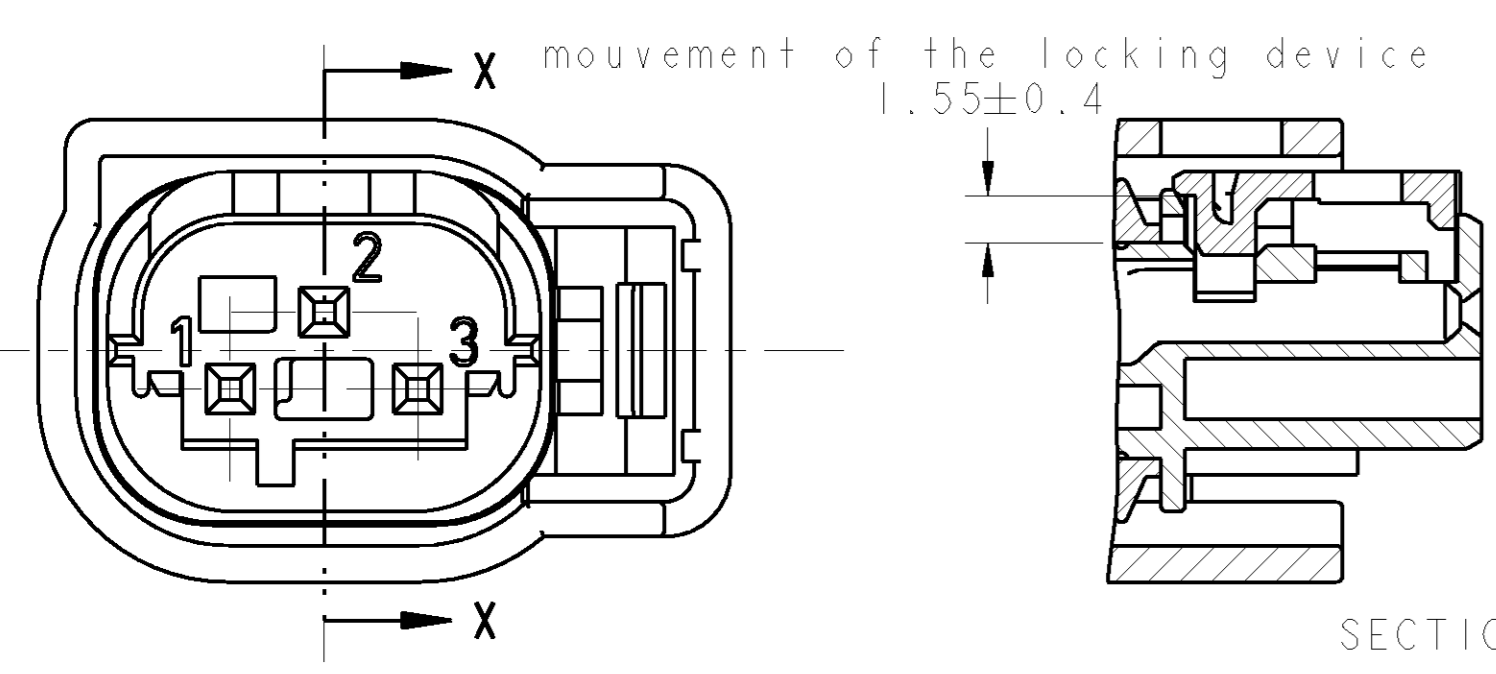
ECHELLE 2:1



COMPONANT	REF TE
MQS SINGLE WIRE SEAL	967067-X
MQS CAVITY PLUG FOR CAVITY DIA 3.45mm	967056-X
MQS SOCKET CONTACT SINGLE WIRE SEALING FOR 0.35 TO 0.5 mm ²	962885-X
MQS SOCKET CONTACT SINGLE WIRE SEALING FOR 0.5 TO 0.75 mm ²	965906-X

POSITION OF DELIVERY
locking device in position pre-locked

POSITION OF ASSEMBLY
locking device locked



<small>THIS DRAWING IS UNPUBLISHED. RELEASED FOR PUBLICATION UNDER A DIFFERENT REFERENCE. COPYRIGHT 2006 BY TYCO ELECTRONICS CORPORATION. ALL RIGHTS RESERVED. TYPICAL DIMENSIONS</small>		06 JAN 2006 M. POLLEONTE 16 JAN 2006 X. ROULLARD		Tyco Electronics France SAS 95300 Pontoise, France	
DIMENSIONS: mm TOLERANCES UNLESS OTHERWISE SPECIFIED: DECIMALES: 0.1 P/LOC DEC: #0.2 P/LOC DEC: #0.2 P/LOC DEC: #0.2 P/LOC DEC: #0.2		PRODUCT SPEC: 108-15286 SPEC. PRODUCT: 108-15286 APPLICATION SPEC: 108-15286		NAME: MQS, SOCKET HOUSING SEALED 3 POS ASSY SIZE: 108-15286 CASE CODE: 1379729 DRAWING NO: 100779	
MATERIAL / MATIERE: - FINISH / FINITION: -		WEIGHT: 4g W/ASSE APPROX: 4g		RESTRICTED TO RESERVE X CUSTOMER DRAWING / PLAN CLIENT: - INVOIEMENT FOUR REFERENCE: - SCALE: 4:1 SHEET: 1 OF 1 FEUILLE: 1 DE 1	