

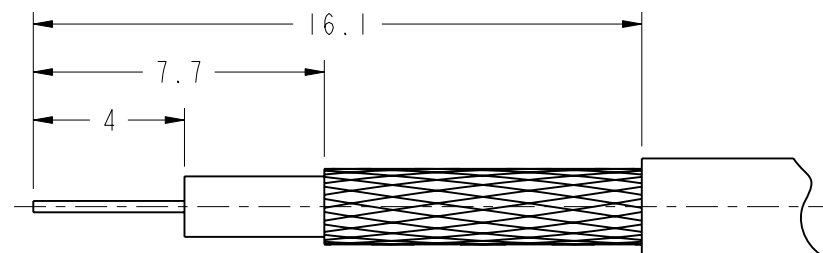
NOTES:

1. MATERIALS AND FINISHES:
 BODY - BRASS, NICKEL PLATING
 CONTACT PIN - PHOSPHOR BRONZE, GOLD PLATING
 INSULATOR - DELRIN, NATURAL
2. ELECTRICAL:
 A. IMPEDANCE: 75 OHM
3. MECHANICAL:
 A. DURABILITY: 500 CYCLES MIN.
 B. TEMPERATURE RANGE: -40°C TO +80°C
4. CRIMPED FERRULE
 HEX. CRIMP SIZE .178"
5. CONTACT PIN TO SOLDER

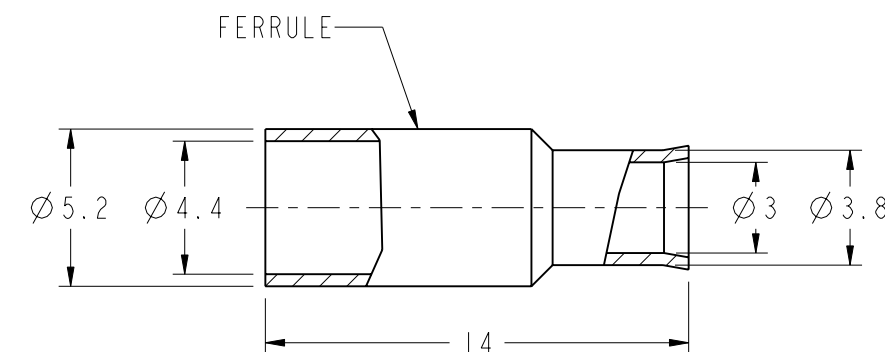
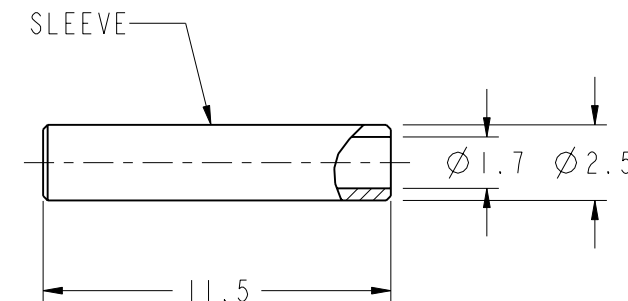
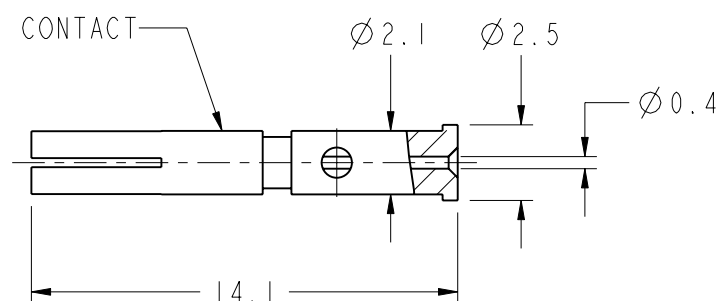
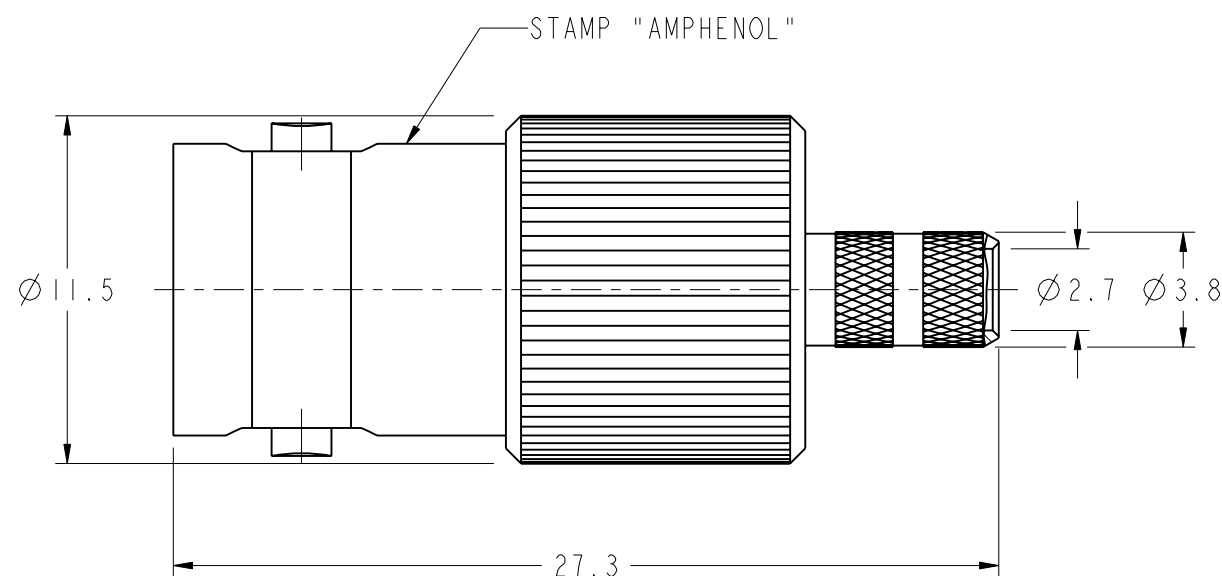
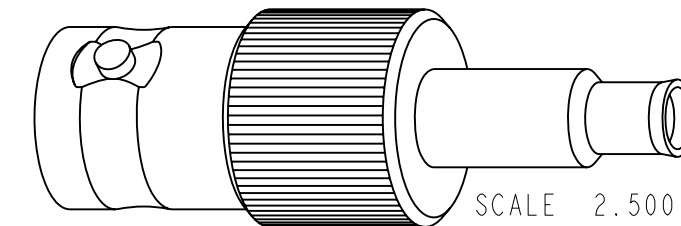
THIRD ANGLE PROJ.

REVISIONS

REV	DESCRIPTION	DATE	ECO	APPR
--	RELEASE TO MFG.			
B	SEE SHEET 1	7/28/99	43068	CPM
C	SEE SHEET 1	04-23-98		TONY.T
D	SYNCH THE DRAWING WITH DANBURY	27-Dec-13	49842	RM



RECOMMENDED
CABLE STRIPPING DIM'S
SCALE 5.000



CUSTOMER OUTLINE DRAWING

ALL OTHER SHEETS ARE FOR INTERNAL USE ONLY

UNLESS OTHERWISE SPECIFIED, DIMENSIONS ARE IN METRIC AND TOLERANCES ARE: <0.5mm ±0.05mm 0.5 - 6mm ±0.1mm 6 - 30mm ±0.2mm 30 - 120mm ±0.3mm ANGLES ±1°	MATERIAL	DRAWN R. MAO	DATE 20-Dec-13	TITLE BNC CRIMP JACK FOR RG-179/U, 187A/U CABLE	Amphenol RF Danbury CT USA, Tainan, Taiwan, Shenzhen, China www.amphenolrf.com
	NOTICE - These drawings, specifications, or other data (1) are, and remain the property of Amphenol corp. (2) must be returned upon request; and (3) are confidential and not to be disclosed to any person other than those to whom they are given by Amphenol Corp. the furnishing of these drawings, specifications, or other data by Amphenol Corp., or to any other person to anyone for any purpose is not to be regarded by implication or otherwise in any manner licensing, granting rights to permitting such holder or any other sperson to manufacture, use or sell any product, process or design, patented or otherwise, that may in any way be related to or disclosed by said drawings, specifications, or other data.	REFERENCE CONNEX PN:112161	ENGINEER S.LI		
FINISH	APPROVED S.HSIEH	DATE 27-Dec-13	SCALE: 4.0:1.0 SHEET 2 OF 2	ITEM NO. 016121AAE19ND7F	PART NO. 31-71014-RFX
	CAD FILE	I:\BNC\B6121E1-ND3G-179U-75		DWG SIZE B	REV D