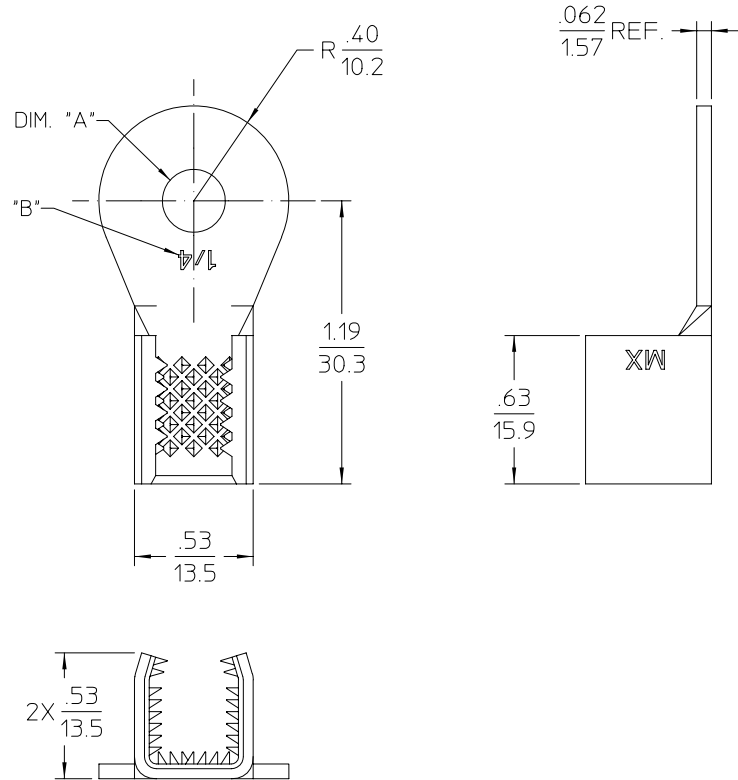
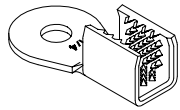


MATERIAL NUMBER	DIM. "A"	"B"
191951007	∅.265/6.73	1/4
191951035	∅.328/8.33	5/16
191951021	∅.390/9.91	3/8
191951037	∅.515/13.08	1/2



NOTES:

1. MATERIAL: COPPER ALLOY.
2. FINISH: ELECTRO TIN PLATE.
THICKNESS=100MICRONS MINIMUM.
3. PRODUCT SPECIFICATION: PS-19195-001.
4. PART USED TO CONNECT COPPER OR ALUMINUM SINGLE MAGNET WIRE OR MULTIPLE WIRE COMBINATIONS.
5. COMBINATIONS OF WIRES ARE EITHER MAGNET WIRE TO MAGNET WIRE OR MAGNET WIRE TO LEAD WIRE.

EC NO: ETC2003-0089 DRWN: JPAWLICK 2002/09/27 CHKD: JPAWLICK 2002/09/27 APPR: RDEROSS 2002/09/27	QUALITY SYMBOLS	GENERAL TOLERANCES (UNLESS SPECIFIED)		SCALE 2:1	DESIGN UNITS INCH	THIRD ANGLE PROJECTION	REVISE ON CAD ONLY
	▼ = 0 ▽ = 0	4 PLACES	± ---	± ---	DIMENSION STYLE IN/MM		TITLE MAGKRIMP ROUND RING 10,380-52,480 CMA
		3 PLACES	± ---	± ---	DRAWN BY JPAWLICK	DATE 02/04/04	
		2 PLACES	± ---	± .010	CHECKED BY JPAWLICK	DATE 02/04/04	MOLEX INCORPORATED MATERIAL NO SEE CHART DOCUMENT NO SD-19195-016 SHEET NO 1 OF 1
	1 PLACE	± 0.25	± ---	APPROVED BY RDEROSS	DATE 02/04/04	THIS DRAWING CONTAINS INFORMATION THAT IS PROPRIETARY TO MOLEX INCORPORATED AND SHOULD NOT BE USED WITHOUT WRITTEN PERMISSION	
		ANGULAR ± 2 °		DRAFT WHERE APPLICABLE MUST REMAIN WITHIN DIMENSIONS			