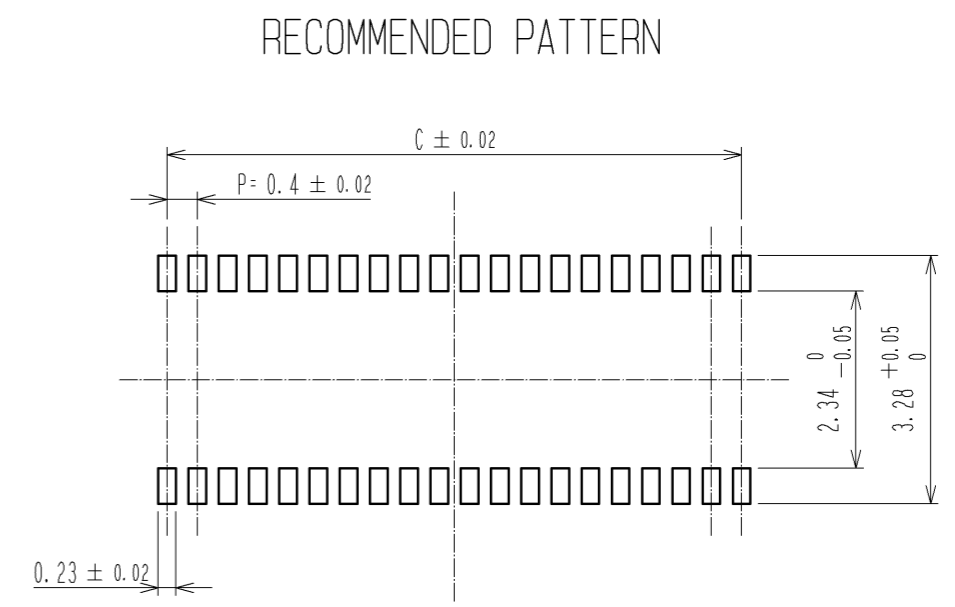
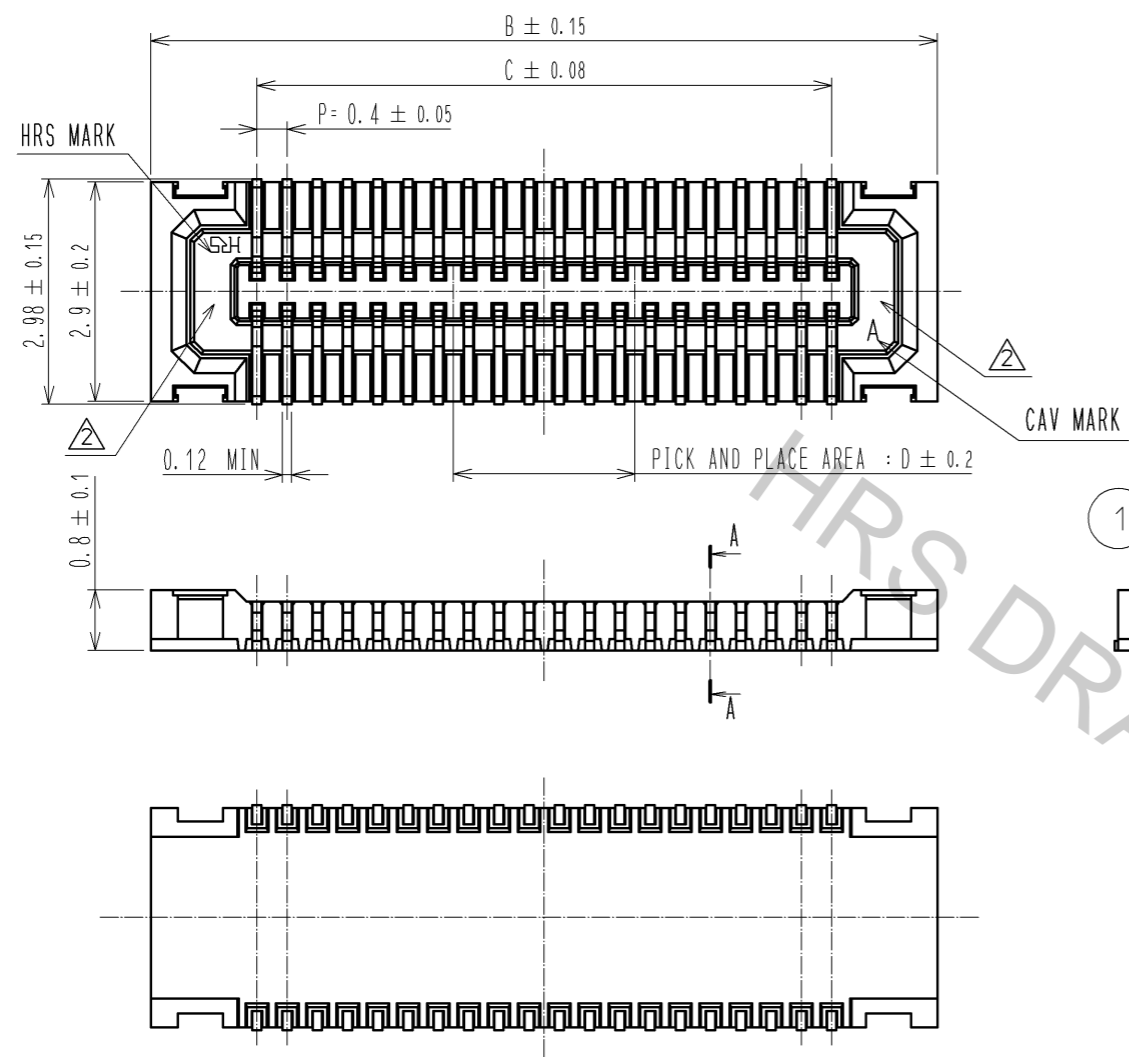
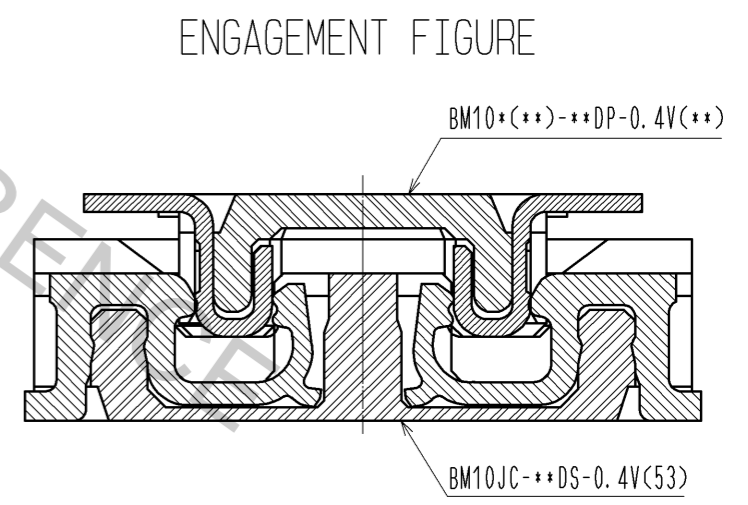
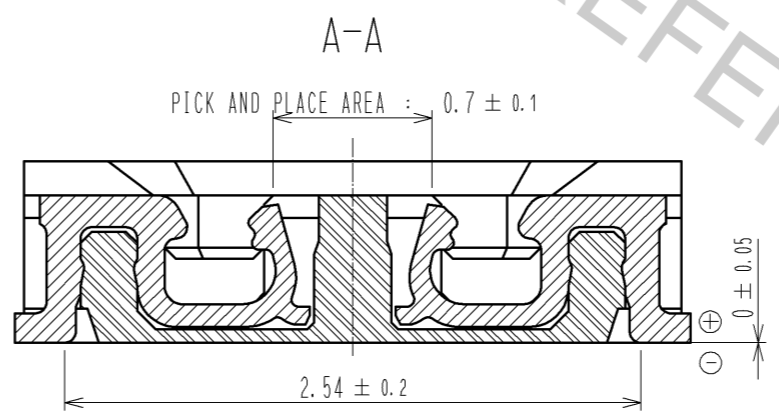


Apr.1.2017 Copyright 2017 HIROSE ELECTRIC CO., LTD. All Rights Reserved.



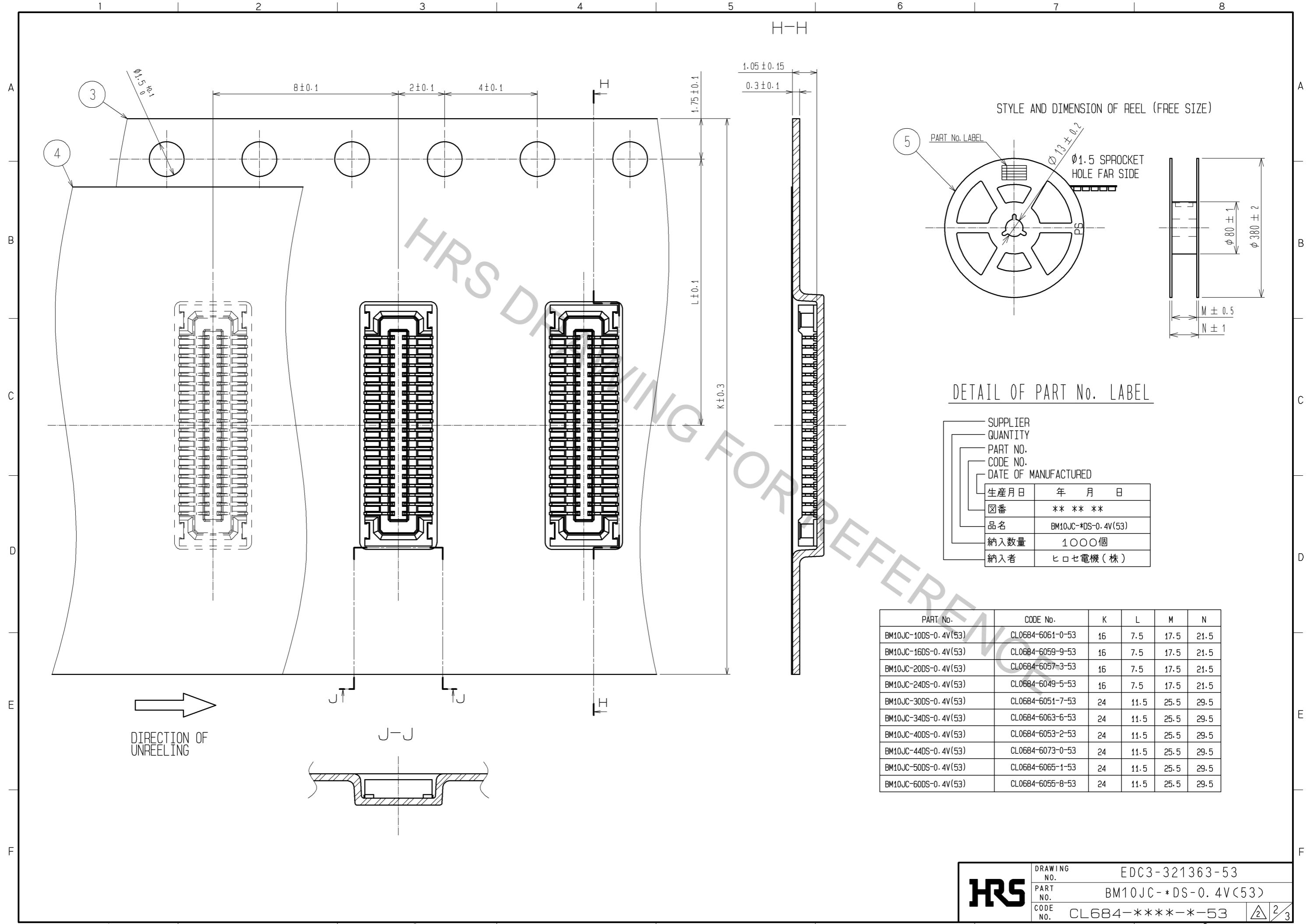
RECOMMENDED SOLDER PASTE : THICKNESS 120μm

- NOTE 1. ALL LEADS CO-PLANARITY SHALL BE 0.1 MAX.
 2. PER REEL : 1000 CONNECTORS.
 3. AT THE BEGINNING OF THE REEL, 100 mm AT MIN SHALL BE EMPTY POCKETS.
 AT THE END OF THE REEL, 160 mm AT MIN SHALL BE EMPTY.
 4. CONTACT PLATING SPECIFICATIONS.
 CONTACT AREA : GOLD 0.05μm MIN.
 SMT LEAD : GOLD 0.05μm MIN.
 UNDERPLATING : NICKEL 1μm MIN.
 (SURFACE : SEALING)
 5. PEEL FORCE OF COVER TAPE REFERS TO JIS C 0806.
 6. REFER TO PAGE 3 FOR EMBOSS CASE OF LESS THAN EQUAL TO 20 PINS CONNECTORS.

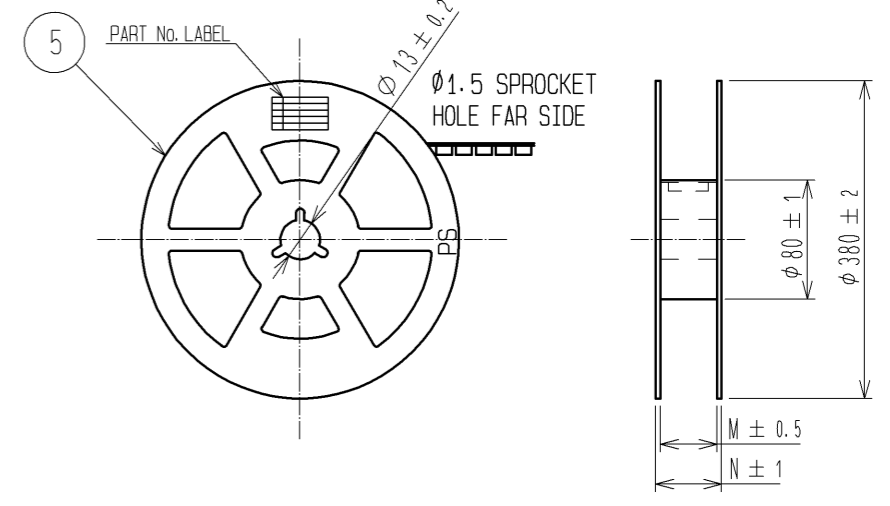


PART No.	CODE No.	B	C	D
BM10JC-10DS-0.4V(53)	CL684-6061-0-53	4.40	1.6	0.8
BM10JC-16DS-0.4V(53)	CL684-6059-9-53	5.60	2.8	1.6
BM10JC-20DS-0.4V(53)	CL684-6057-3-53	6.40	3.6	1.6
BM10JC-24DS-0.4V(53)	CL684-6049-5-53	7.20	4.4	2.0
BM10JC-30DS-0.4V(53)	CL684-6051-7-53	8.40	5.6	2.0
BM10JC-34DS-0.4V(53)	CL684-6063-6-53	9.20	6.4	2.4
BM10JC-40DS-0.4V(53)	CL684-6053-2-53	10.40	7.6	2.4
BM10JC-44DS-0.4V(53)	CL684-6073-0-53	11.20	8.4	2.8
BM10JC-50DS-0.4V(53)	CL684-6065-1-53	12.40	9.6	2.8
BM10JC-60DS-0.4V(53)	CL684-6055-8-53	14.40	11.6	3.2

2	PHOSPHOR BRONZE	4	5	PS	PLASTIC REEL (BLACK)
1	LCP	UL94V-0. BLACK	4	POLYESTER	CLEAR(COVER TAPE)
			3	PS	CLEAR(EMBOSS CARRIER TAPE)
NO.	MATERIAL	FINISH . REMARKS	NO.	MATERIAL	FINISH . REMARKS
UNITS	mm	SCALE	10 : 1	COUNT	2
DESCRIPTION OF REVISIONS		DESIGNED	TS. MIYAZAKI	CHECKED	TS. MIYAZAKI
DATE		10.03.27	DRAWING NO. EDC3-321363-53		
APPROVED : KH. IKEDA		09.06.09	PART NO. BM10JC-**-DS-0.4V(53)		
CHECKED : KY. MIDORIKAWA		09.06.09	CODE NO. CL684-****-*-53		
DESIGNED : SH. HOSODA		09.06.08	1/3		
DRAWN : SH. HOSODA		09.03.03			



STYLE AND DIMENSION OF REEL (FREE SIZE)



DETAIL OF PART No. LABEL

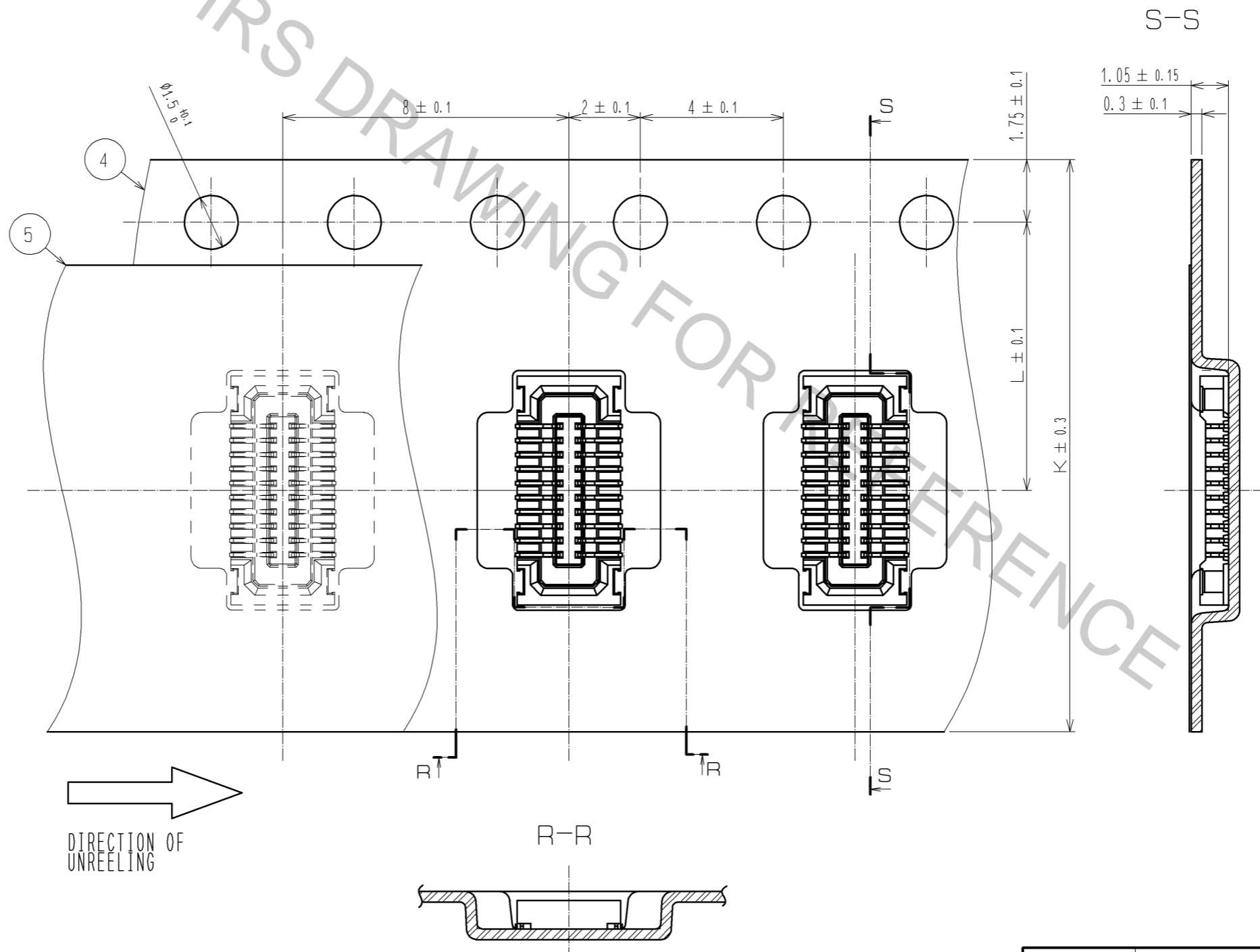
SUPPLIER	
QUANTITY	
PART NO.	
CODE NO.	
DATE OF MANUFACTURED	
生産月日	年 月 日
図番	** ** *
品名	BM10JC-*DS-0.4V(53)
納入数量	1000個
納入者	ヒロセ電機(株)

PART No.	CODE No.	K	L	M	N
BM10JC-10DS-0.4V(53)	CL0684-6061-0-53	16	7.5	17.5	21.5
BM10JC-16DS-0.4V(53)	CL0684-6059-9-53	16	7.5	17.5	21.5
BM10JC-20DS-0.4V(53)	CL0684-6057-3-53	16	7.5	17.5	21.5
BM10JC-24DS-0.4V(53)	CL0684-6049-5-53	16	7.5	17.5	21.5
BM10JC-30DS-0.4V(53)	CL0684-6051-7-53	24	11.5	25.5	29.5
BM10JC-34DS-0.4V(53)	CL0684-6063-6-53	24	11.5	25.5	29.5
BM10JC-40DS-0.4V(53)	CL0684-6053-2-53	24	11.5	25.5	29.5
BM10JC-44DS-0.4V(53)	CL0684-6073-0-53	24	11.5	25.5	29.5
BM10JC-50DS-0.4V(53)	CL0684-6065-1-53	24	11.5	25.5	29.5
BM10JC-60DS-0.4V(53)	CL0684-6055-8-53	24	11.5	25.5	29.5

DIRECTION OF UNREELING

HRS	DRAWING NO.	EDC3-321363-53
	PART NO.	BM10JC-*DS-0.4V(53)
	CODE NO.	CL684-****-*53

6 EMBOSS CASE OF LESS THAN OR EQUAL TO 20 PINS CONNECTORS



DIRECTION OF UNREELING

HRS	DRAWING NO.	EDC3-321363-53
	PART NO.	BM10JC-*DS-0.4V(53)
	CODE NO.	CL-684-****-*53

3/3