

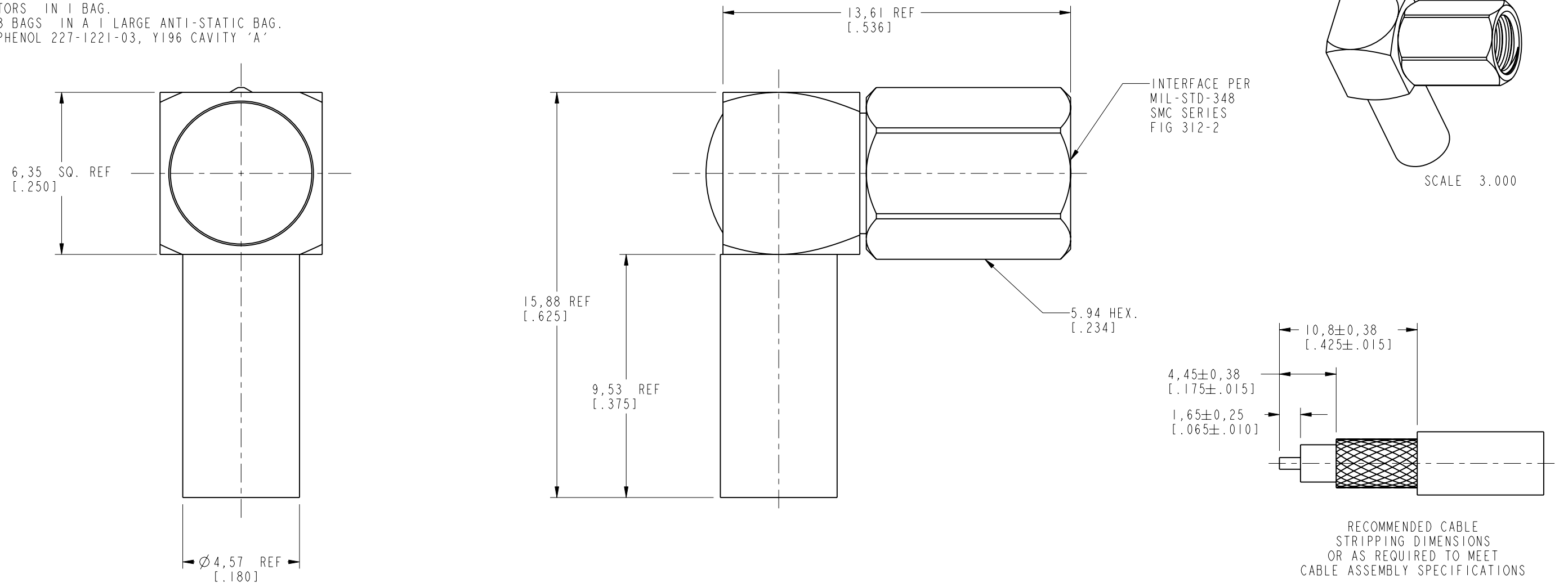
NOTES:

1. MATERIALS AND FINISHES: (PLATING UNIT IN MICRO-INCHES)  
 BODY - BRASS, NICKEL PL. 100 MIN. THICK  
 CONTACT - BERYLLIUM COPPER, GOLD PL. 50 MIN. THICK  
 INSULATOR - PTFE, NATURAL
2. ELECTRICAL:  
 A. IMPEDANCE: 50 OHM  
 B. FREQUENCY RANGE: DC - 10 GHz  
 C. VSWR (RETURN LOSS): 1.30 + .04F MAX.  
 D. DIELECTRIC WITHSTANDING VOLTAGE: 1,000 VRMS, MIN.
3. MECHANICAL:  
 A. DURABILITY: 500 CYCLES MIN.  
 B. TEMPERATURE RANGE: -65° C TO 165° C
4. PACKAGING:  
 A. PACKAGE CONNECTOR AS PER ROUTING INSTRUCTIONS.  
 B. MARK BAG OR TAG "903-514P-52A3, QUANTITY 50, YYWW"  
 C. BULK PACK AS FOLLOWS:  
 50 FERRULES IN 1 BAG  
 50 CAPS IN 1 BAG  
 50 CONNECTORS IN 1 BAG.  
 PLACE THE 3 BAGS IN A 1 LARGE ANTI-STATIC BAG.
5. CRIMP USING AMPHENOL 227-1221-03, Y196 CAVITY 'A'

THIRD ANGLE PROJ.

REVISIONS

REV	DESCRIPTION	DATE	ECO	APPR
A	RELEASE TO MFG.	10/31/95	41019	PB/RV
H	903-10538 WAS 903-10497 AND 903-10495	9/19/01	43845	MH
J	SEE SHEET I	1/31/05	45336	CPM
K	ADD STRIPIING DIM'S & NOTE 5	8/23/05	45679	CPM
L	SEE SHEET I	11/8/05	45792	CPW
M	METRIC DIMS, CABLE IN TITLE, UPDATE PACKAGE NOTE	07-Feb-12	48895	DANIEL
N	TRANSFER TO ARFA	30-Apr-12	48746	SH



**CUSTOMER OUTLINE DRAWING**  
 ALL OTHER SHEETS ARE FOR INTERNAL USE ONLY

UNLESS OTHERWISE SPECIFIED, DIMENSIONS ARE IN METRIC AND TOLERANCES ARE: <0.5mm ± 0.05mm    0.5 - 6mm ± 0.1mm    6 - 30mm ± 0.2mm    30 - 120mm ± 0.3mm    ANGLES ± 1°	MATERIAL	DRAWN SUNDE	DATE 26-Apr-12	TITLE SMC R/A PLUG FOR AGILENT 8120-0552 CABLE SCALE: 6.0:1.0   SHEET 2 OF 2	Amphenol RF www.amphenolrf.com
	NOTICE - These drawings, specifications, or other data (1) are, and remain the property of Amphenol corp. (2) must be returned upon request; and (3) are confidential and not to be disclosed to any person other than those to whom they are given by Amphenol Corp. the furnishing of these drawings, specifications, or other data by Amphenol Corp., or to any other person to anyone for any purpose is not to be regarded by implication or otherwise in any manner licensing, granting rights to permitting such holder or any other person to manufacture, use or sell any product, process or design, patented or otherwise, that may in any way be related to or disclosed by said drawings, specifications, or other data.	REFERENCE EAR# 344.1 GEN# ASSYF2_SMC AGILENT# 1250-2171	ENGINEER MIKE HOYACK		
	FINISH	APPROVED SCOTT	DATE 26-Apr-12	DWG SIZE B	REV N
		CAD FILE I:\SMC\903-514P-52A3			