

4

3

2

1

THIS DRAWING IS UNPUBLISHED. RELEASED FOR PUBLICATION
 © COPYRIGHT - By - ALL RIGHTS RESERVED.

REVISIONS				
P	LTR	DESCRIPTION	DATE	APVD
D		REVISED PER ECO-18-001882	12FEB2018	AP DG

NOTE:

1. MATERIAL:

HOUSING: PBT WITH 20% GF UL 94 V-0, BLACK COLOR
 CONTACTS: BRASS.
 SHELL: STEEL.
 SCREW: BRASS.
 SCREW LOCK: BRASS.
 SCREW TORQUE: 5kgf-cm MAX.

2. FINISH:

CONTACTS: GOLD PLATED ON CONTACT AREA,
 $0.375\mu\text{m}$ [$15\mu''$] MIN. MATTE TIN ON SOLDER TAIL
 $2.54\mu\text{m}$ [$100\mu''$], WITH ENTIRE CONTACT
 UNDERPLATED $1.27\mu\text{m}$ [$50\mu''$] MIN. NICKEL.
 FRONT SHELL: $2.54\mu\text{m}$ [$100\mu''$] MIN. NICKEL PLATED.
 REAR SHELL: $1.27\mu\text{m}$ [$50\mu''$] MIN NICKEL UNDERPLATE.
 $2.54\mu\text{m}$ [$100\mu''$] MIN BRIGHT TIN PLATE
 SCREW LOCK: $1.27\mu\text{m}$ [$50\mu''$] MIN. NICKEL PLATED.
 BOARDLOCK: $1.27\mu\text{m}$ [$50\mu''$] MIN NICKEL UNDERPLATE
 $1.27\mu\text{m}$ [$50\mu''$] MIN MATTE TIN PLATE

3. WAVE SOLDER CAPABLE TO 265°C PER TE TEST SPEC.
109-202, CONDITION B.

Top view of the connector housing. Dimensions include overall width 53.04 ± 0.38 , inner width 47.08 , and contact spacing 38.96 . Contact positions are numbered 1 through 25. Two mounting holes are shown with a callout for #4-40 UNC.

Side view of the connector housing. Dimensions include a top width of 12.1 ± 0.38 , a base width of 17.15 ± 0.38 , and a contact height of 10.72 ± 0.25 .

Bottom view of the connector housing. Dimensions include a total length of 41.10 ± 0.25 and a contact pitch of $\phi 0.6 \pm 0.05$. A callout indicates a tolerance of ± 0.25 for the contact width.

Recommended PCB layout diagram. It shows a grid of 25 contact points with dimensions for spacing: 2.77 between the first two points, 1.385 between subsequent points, and a total width of 47.04 ± 0.25 . Two mounting holes are shown with a callout for 2- $\phi 3.10$.

RECOMMENDED PCB LAYOUT

THIS DRAWING IS A CONTROLLED DOCUMENT.

DIMENSIONS:	TOLERANCES UNLESS OTHERWISE SPECIFIED:
mm	0 PLC $\pm -$
	1 PLC ± 0.25
	2 PLC ± 0.15
	3 PLC $\pm -$
	4 PLC $\pm -$
	ANGLES $\pm 2^\circ$
MATERIAL	FINISH
-	-

DWN	06FEB2017
CHK	06FEB2017
APVD	06FEB2017
PRODUCT SPEC	108-130013
APPLICATION SPEC	-
WEIGHT	0
CUSTOMER DRAWING	-

25w D plg W B/L & 4-40 inserts 15u" gold		2301835-1
DESCRIPTION		TE PART NO
TE TE Connectivity		
D-SUB VERTICAL 25P PLUG CONNECTOR		
SIZE	CAGE CODE	DRAWING NO
A2	00779	C=2301835
RESTRICTED TO	SCALE	SHEET
-	3:1	1 of 4
REV	D	

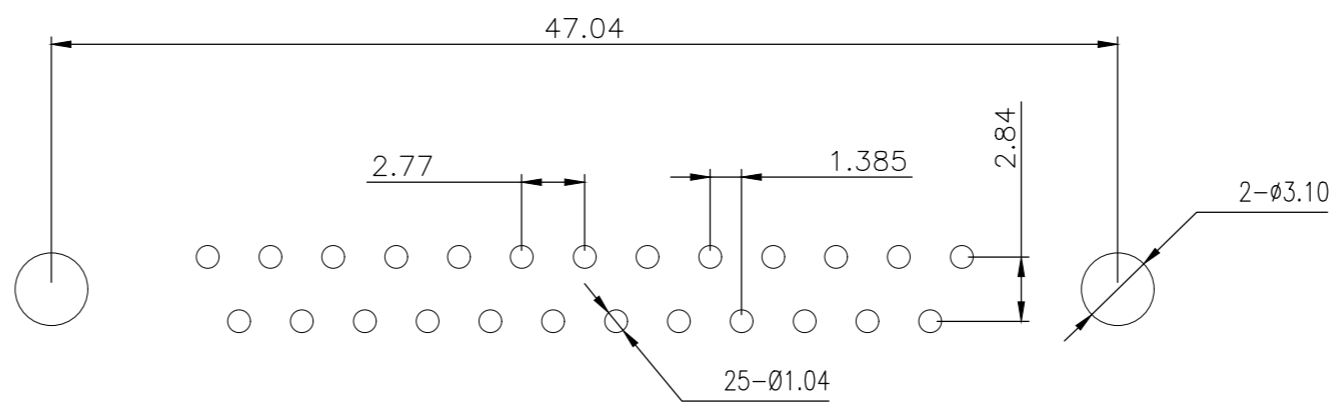
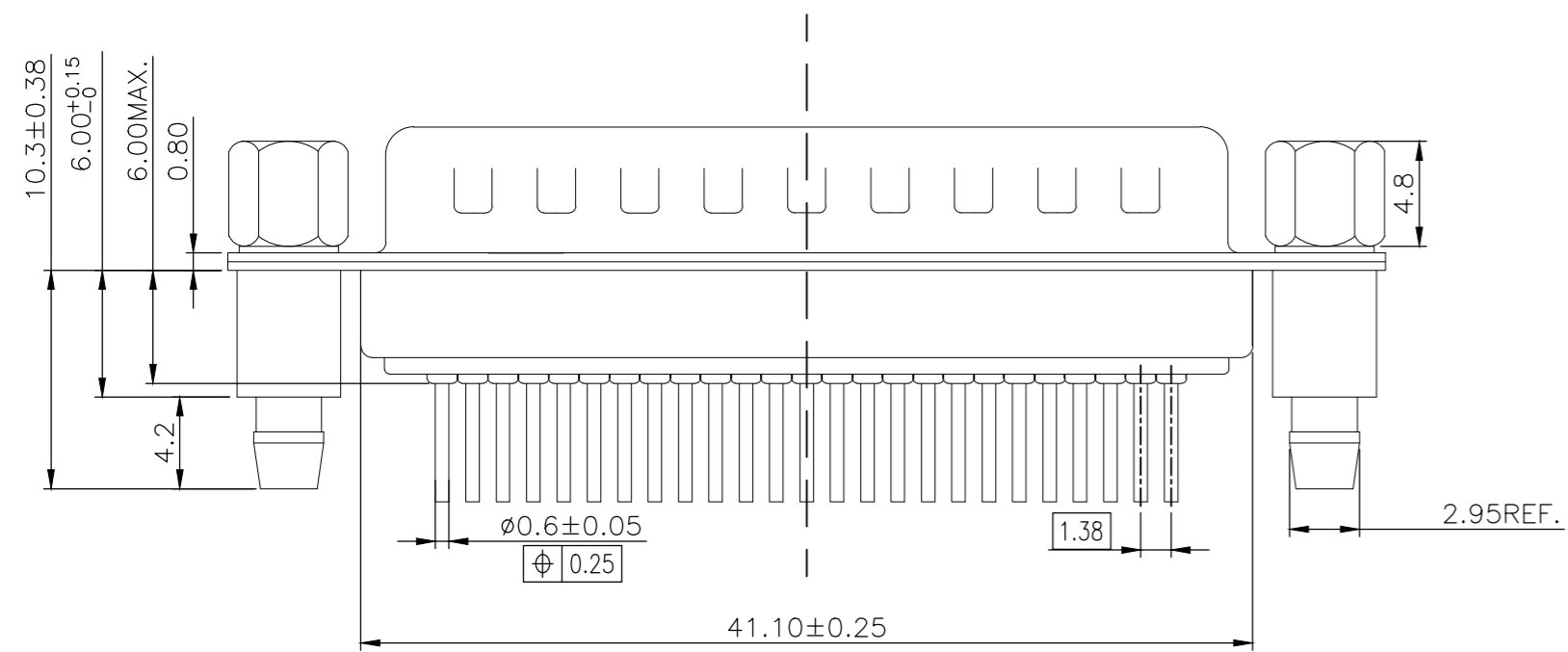
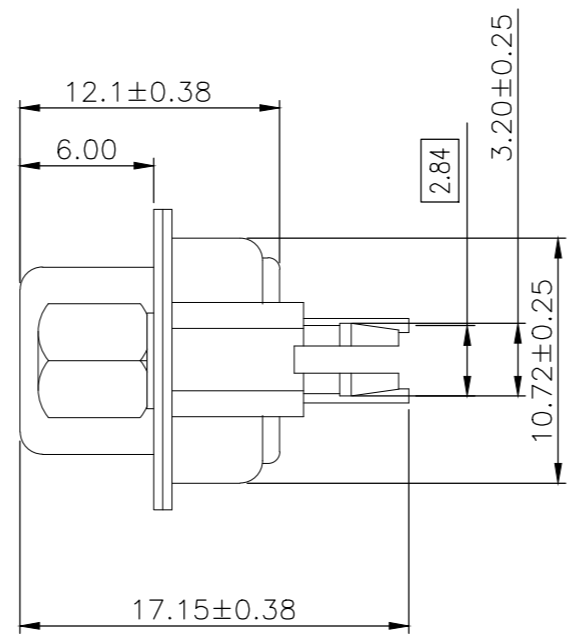
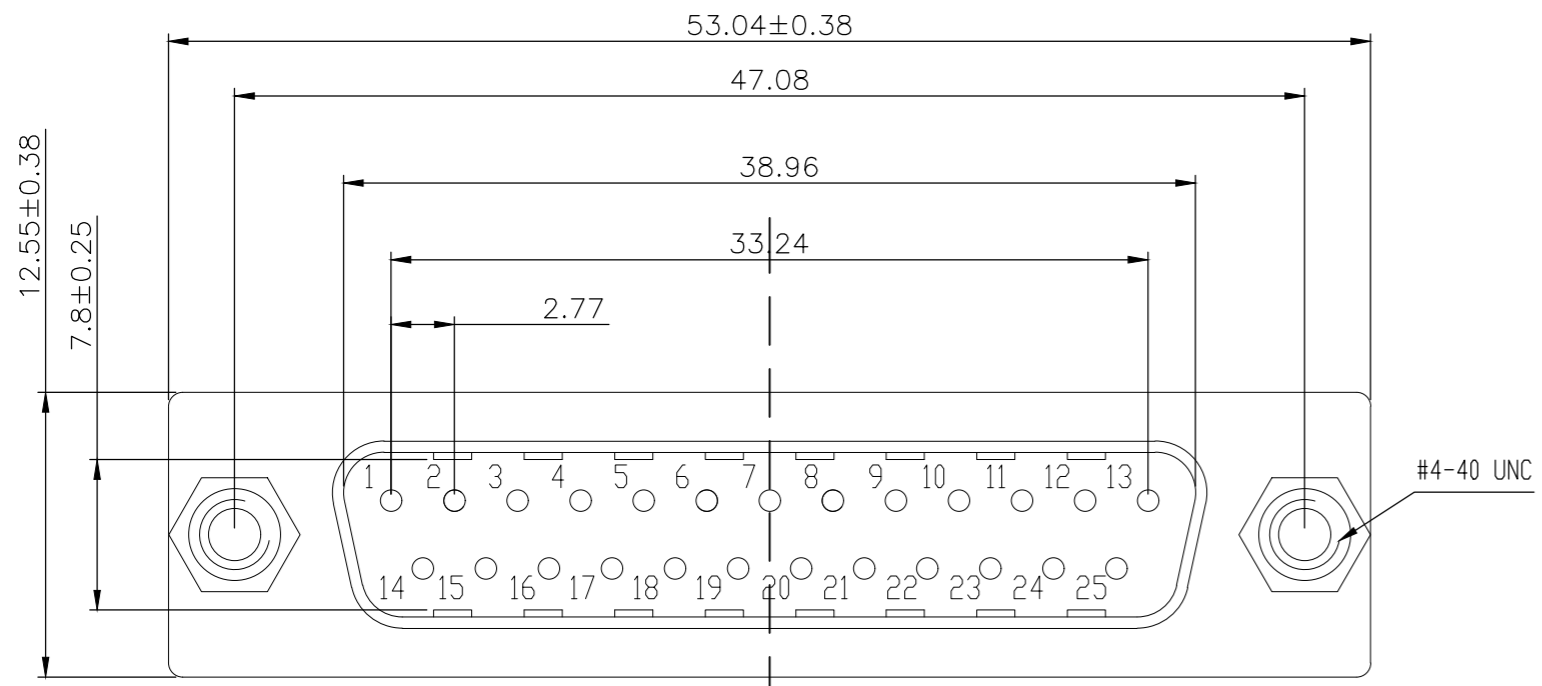
1471-9 (1/15)

2301835

A

THIS DRAWING IS UNPUBLISHED. RELEASED FOR PUBLICATION
 © COPYRIGHT - By - ALL RIGHTS RESERVED.

REVISIONS				
P	LTR	DESCRIPTION	DATE	APVD
-	-	SEE SHEET 1	-	-



RECOMMENDED PCB LAYOUT

2301835

THIS DRAWING IS A CONTROLLED DOCUMENT.		DWN	AJITH PAI	06FEB2017
DIMENSIONS:		CHK	-	06FEB2017
mm	TOLERANCES UNLESS OTHERWISE SPECIFIED:	APVD	-	06FEB2017
	0 PLC	±	-	PRODUCT SPEC
	1 PLC	±	0.25	108-130013
	2 PLC	±	0.15	APPLICATION SPEC
	3 PLC	±	-	-
MATERIAL	FINISH	WEIGHT	0	CUSTOMER DRAWING
-	-	SCALE	3:1	SHEET 2 of 4

25w D plg W B/L & 4-40 s/lock 15u" gold		2301835-2	
DESCRIPTION		TE PART NO	
TE TE Connectivity			
D-SUB VERTICAL 25P PLUG CONNECTOR			
SIZE	CAGE CODE	DRAWING NO	RESTRICTED TO
A2	00779	C=2301835	-
SCALE		SHEET	REV
3:1		2 of 4	D

4

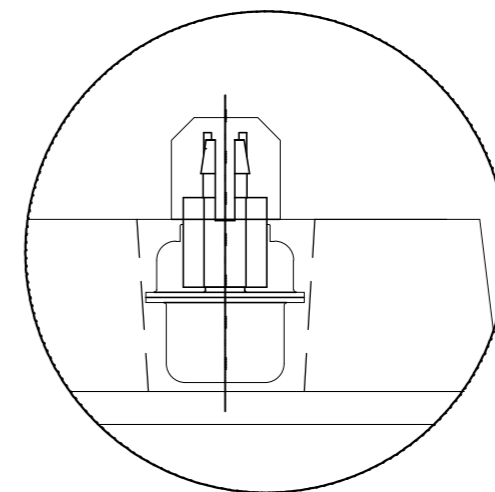
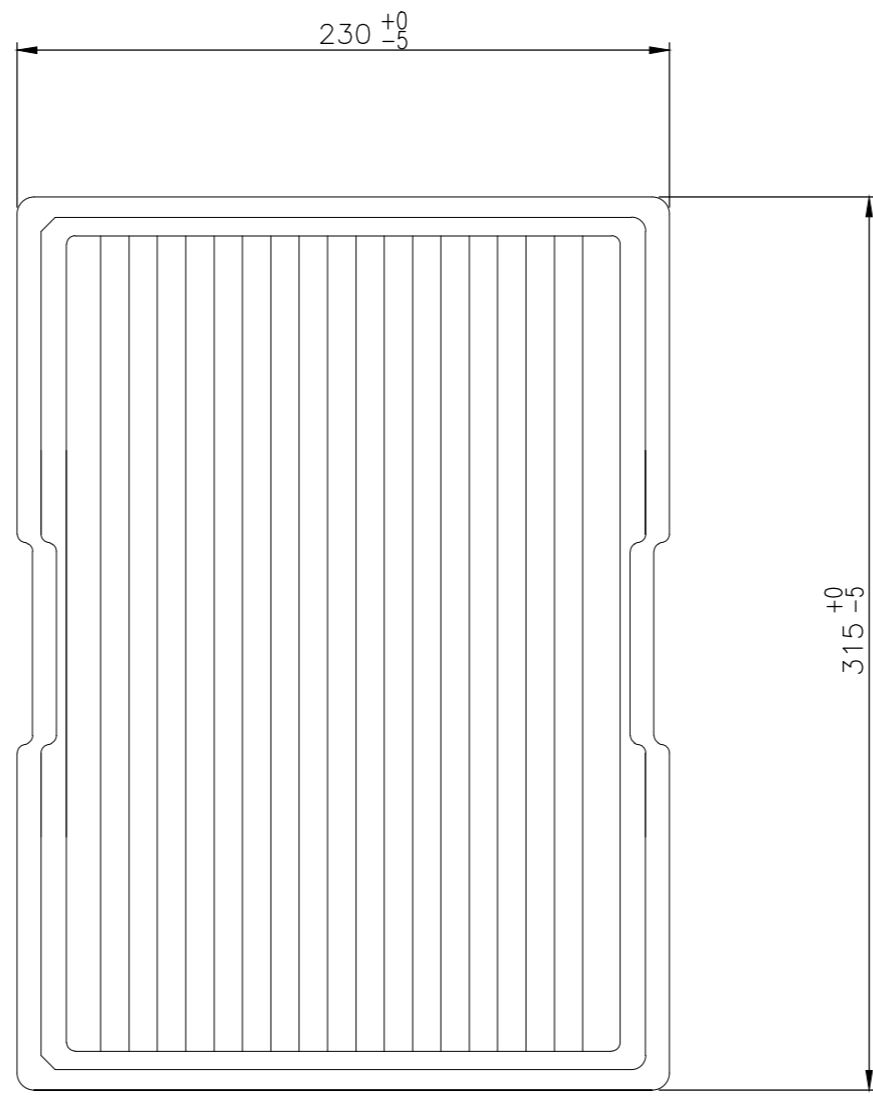
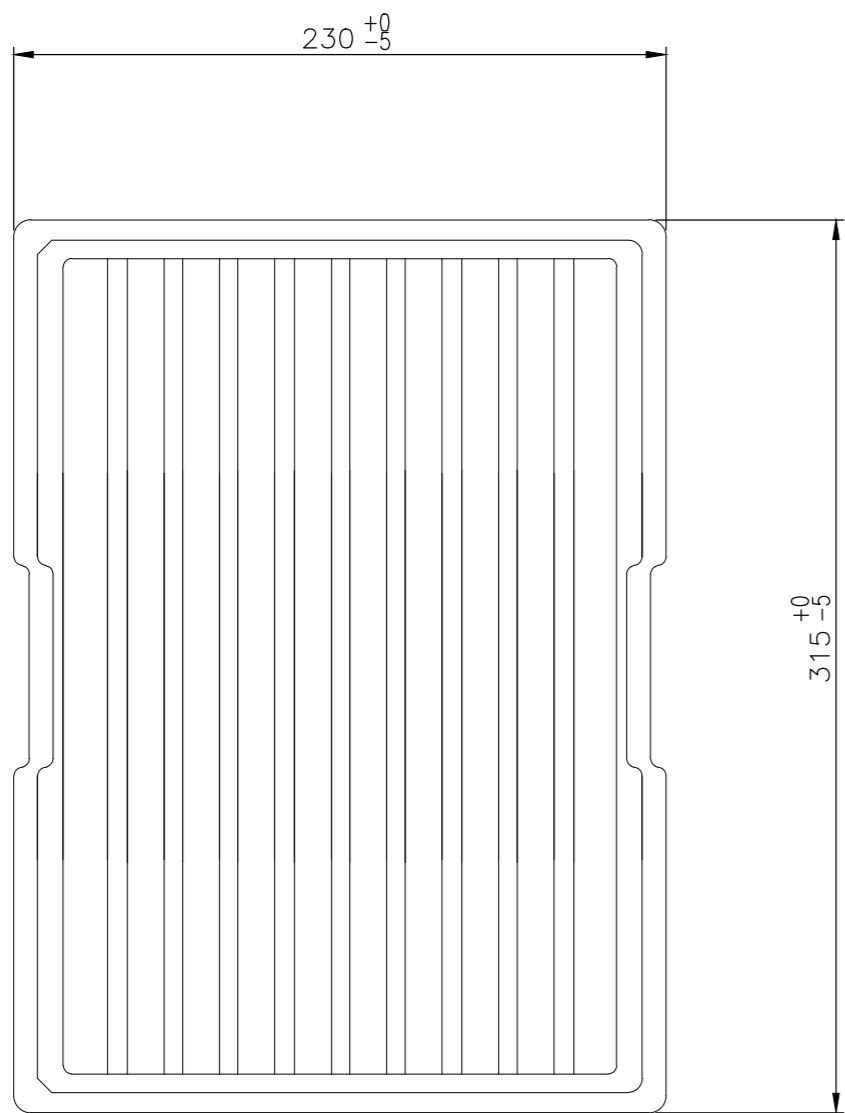
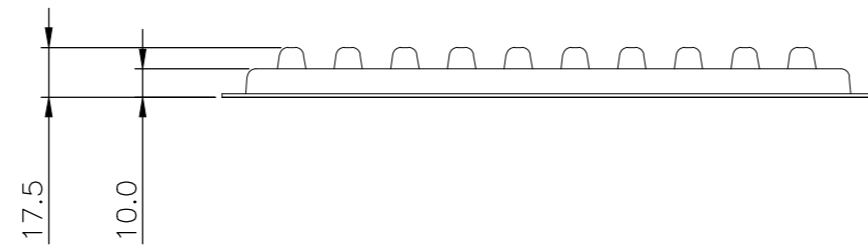
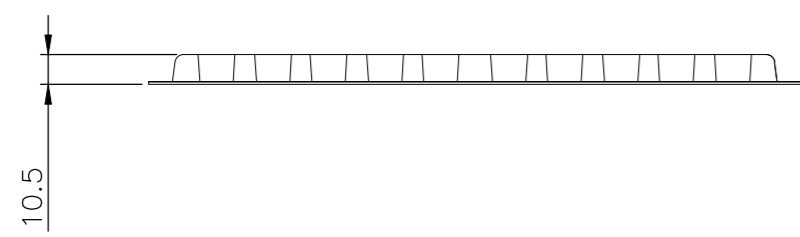
3

2

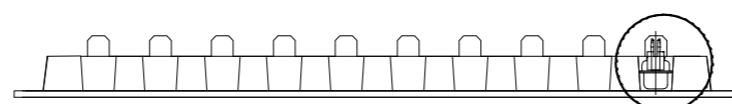
1

THIS DRAWING IS UNPUBLISHED. RELEASED FOR PUBLICATION
 © COPYRIGHT - By - ALL RIGHTS RESERVED.

REVISIONS				
P	LTR	DESCRIPTION	DATE	APVD
-	-	SEE SHEET 1	-	-



DETAIL A

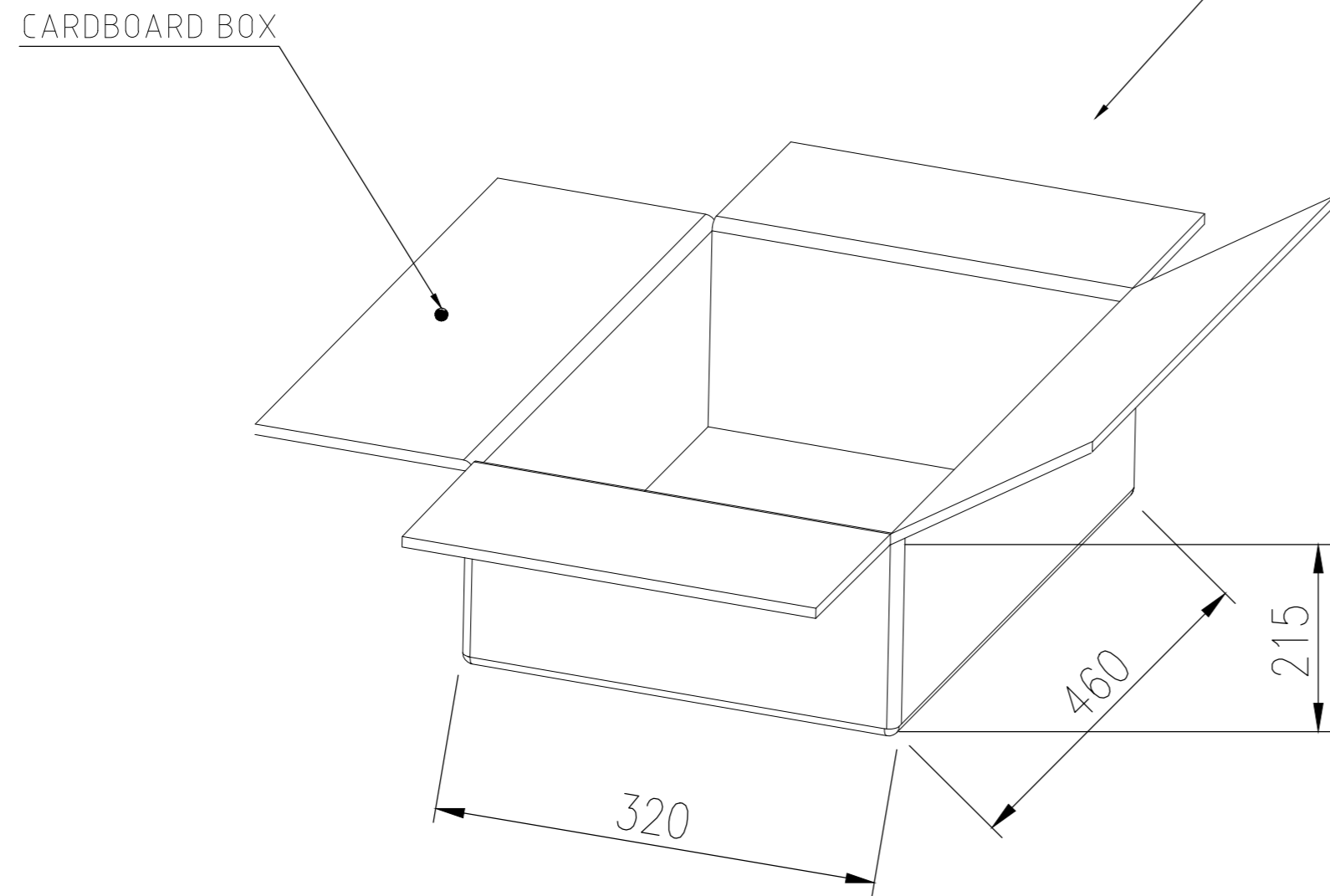
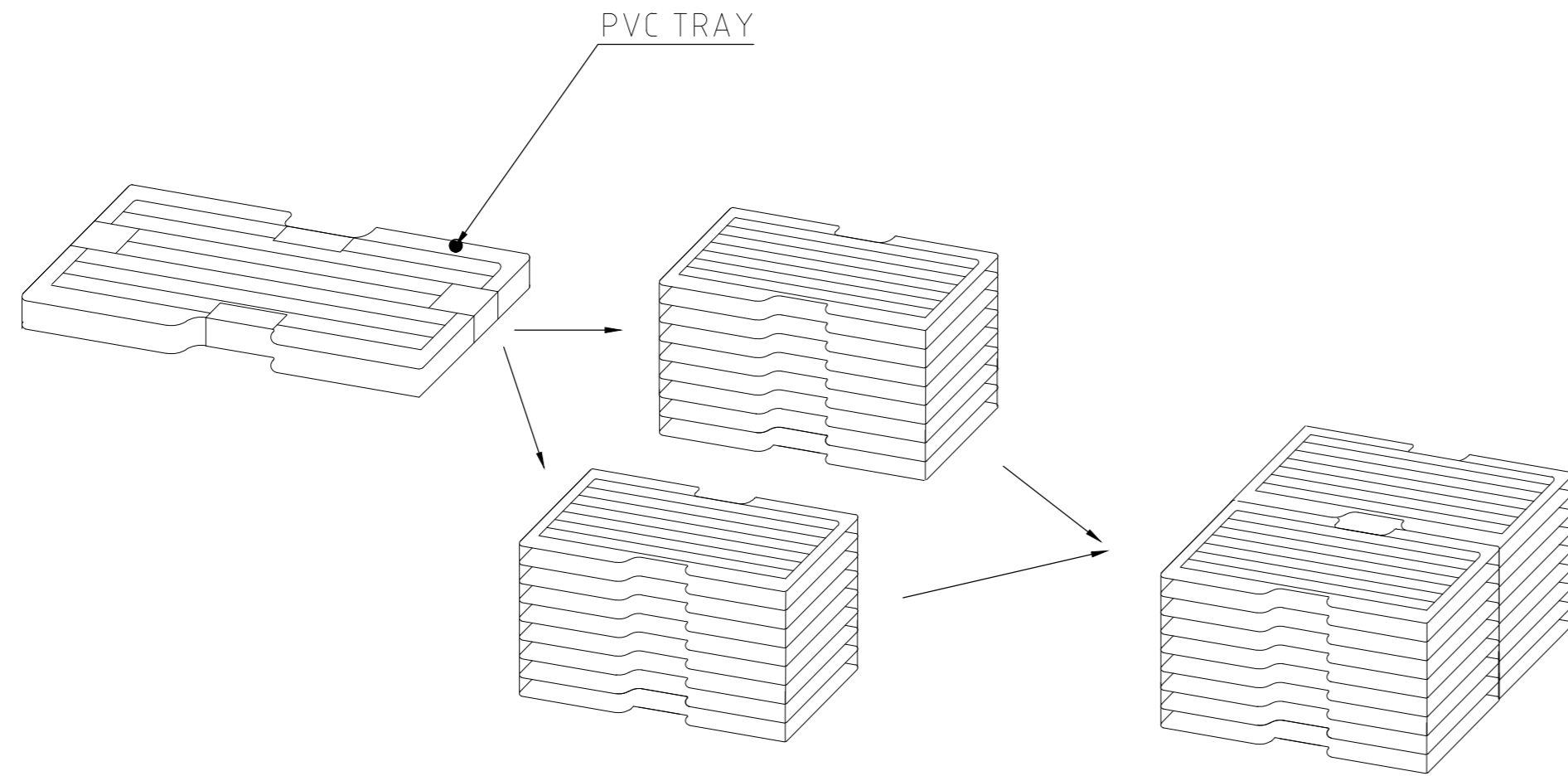


SEE DETAIL A

THIS DRAWING IS A CONTROLLED DOCUMENT.		DWN AJITH PAI 06FEB2017		
		CHK DAN GORENC 06FEB2017		
		APVD - 06FEB2017	NAME	
DIMENSIONS: mm		PRODUCT SPEC 108-130013	D-SUB VERTICAL 25P PLUG CONNECTOR	
TOLERANCES UNLESS OTHERWISE SPECIFIED:		APPLICATION SPEC	SIZE A2	CAGE CODE 00779
0 PLC ± -		WEIGHT 0	DRAWING NO C=2301835	RESTRICTED TO -
1 PLC ± 0.25				
2 PLC ± 0.15				
3 PLC ± -				
4 PLC ± -				
ANGLES ± -				
MATERIAL -		SCALE 1:1		SHEET 3 of 4
FINISH -		REV D		
CUSTOMER DRAWING				

THIS DRAWING IS UNPUBLISHED. RELEASED FOR PUBLICATION
 © COPYRIGHT - By - ALL RIGHTS RESERVED.

REVISIONS					
P	LTR	DESCRIPTION	DATE	DWN	APVD
-	-	SEE SHEET 1	-	-	-



GROSS WEIGHT (kg)	NET WEIGHT (kg)	PCS/TRAY	TRAYS /CARTON	QUANTITY Pcs	PART NUMBER
14.279	11.700	50	20	1000	2301835-2
12.779	10.200	50	20	1000	2301835-1

THIS DRAWING IS A CONTROLLED DOCUMENT.		DWN AJITH PAI 06FEB2017			
DIMENSIONS: mm		CHK DAN GORENC 06FEB2017			
TOLERANCES UNLESS OTHERWISE SPECIFIED:		APVD - 06FEB2017	NAME		
0 PLC ± -		PRODUCT SPEC	D-SUB VERTICAL		
1 PLC ± 0.25		108-130013	25P PLUG CONNECTOR		
2 PLC ± 0.15		APPLICATION SPEC	-		
3 PLC ± -		WEIGHT	SIZE	CAGE CODE	DRAWING NO
4 PLC ± -		0	A2	00779	C=2301835
ANGLES ± -		CUSTOMER DRAWING	SCALE	SHEET	REV
FINISH			1:1	4 of 4	D

2301835