

## SUMMARY

### # Wires

Low	0
High	0
Coax	1
Triax	0
Quad	0
Fiber	0
Fluidic	0



*Image is for illustrative purpose only*

### Download

[Request a quote](#)

[Catalog](#)

Series	00
Termination type	Coupler/adapter/bridge
IP rating	50
Cable Ø	0.00 - 0.00 mm
Matching parts	
Status	
Alternative part	

## TECHNICAL DETAILS

### Mechanics

Shell Style/Model	ASF*: Adapter from LEMO plug to SMA receptacle
Keying	Circular (can rotate)
Housing Material	Brass (nickel plated) shell, collet nut, latch sleeve and mid pieces
Cable Fixing	∅ 0 - 0 mm
Variant	

### Performance

Configuration	0.25 : 1 Coax (50 Ohm)
Insulator	T: PTFE
Rated Current	4 Amps

### Specifications

Contact Type:	Coaxial 50 Ohm
Max. Matings:	500
Contact Dia.:	0.7 mm (0.03in)
Vtest:	2100 V (AC), 3000 V (DC)
□	
Impedance:	50 Ohm

VSWR:  $1.09 + 0.11 * f/\text{GHz}$

## Others

Endurance (Shell): 5000 mating cycles

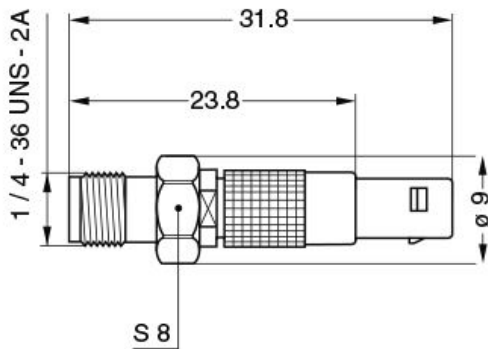
F ret (min): 100 N

IP Rating: 50

---

## DRAWINGS

### Draws



### Dimensions

	A	L	Weight
mm.	9	31.8	4.6
in.	0,35	1,25	0,18

---

## RECOMMENDED BY LEMO

### Tools

None

### Cables