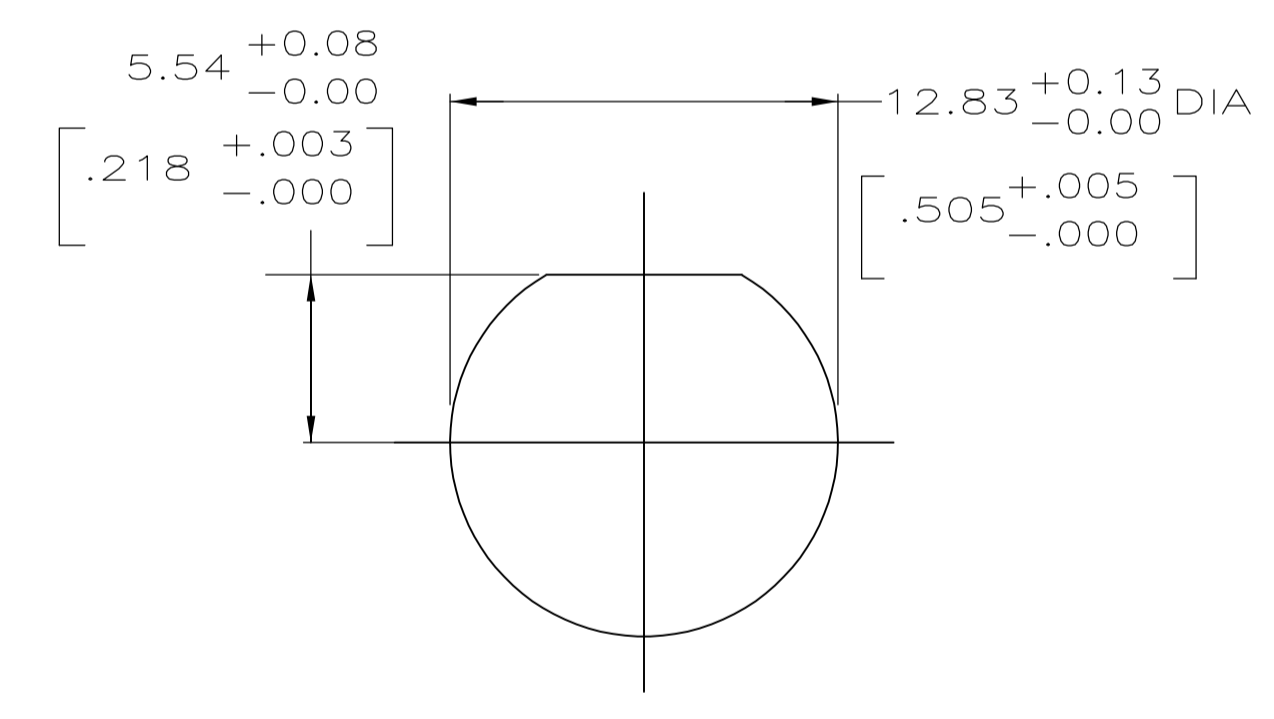
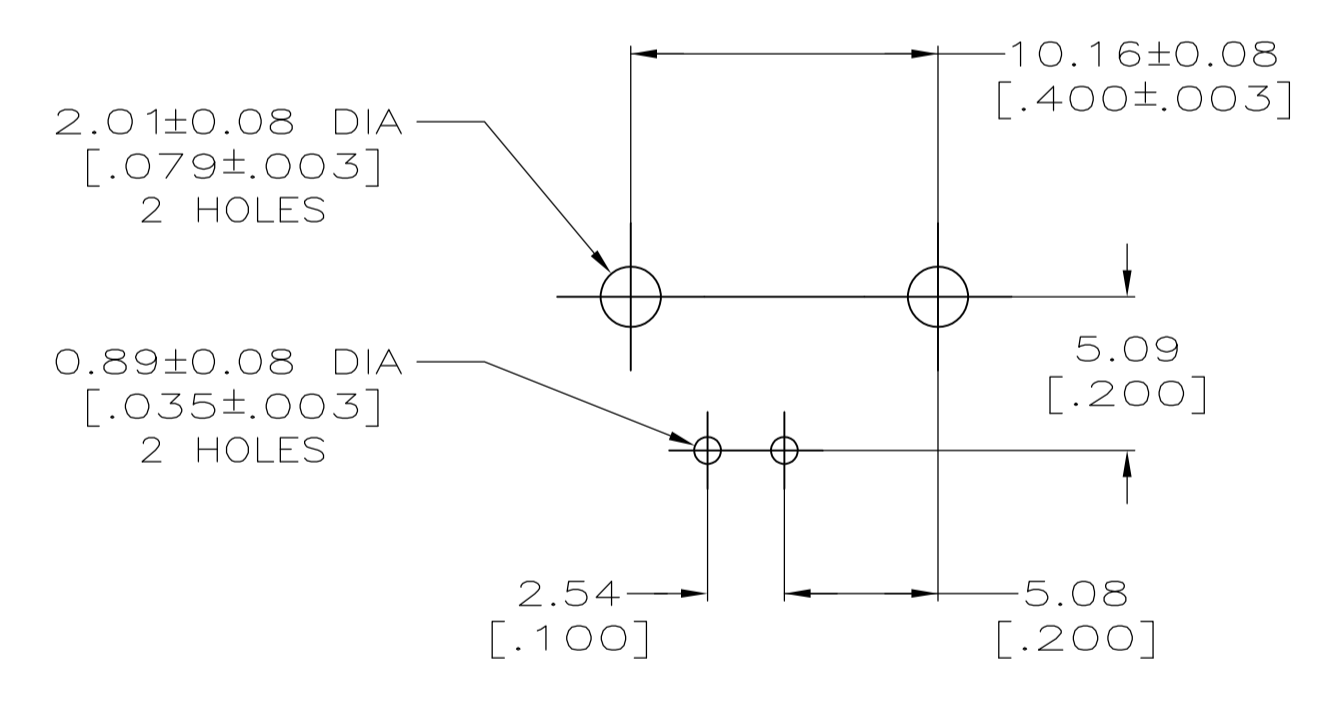


- 1 POLYESTER PBT PER MIL-M-24519, TYPE GPT-15F, UL94V-O RATED, COLOR:NATURAL
- 2 POLYMETHYLPENTENE, GENERAL PURPOSE.
- 3 ZINC PER QQ-Z-363.
- 4 BERYLLIUM COPPER PER QQ-C-530.
- 5 BRASS PER ASTM-B-453.
- 6 NICKEL PLATE PER QQ-N-290
3.81 μm [.000150] MINIMUM THICK.
- 7 TIN PLATE PER ASTM-B-545
3.81 μm [.000150] MINIMUM THICK.
- 8 GOLD PLATE PER MIL-G-45204
.76 μm [.000030] MINIMUM THICK.
- 9. SEE INSTRUCTION SHEET 2769.



RECOMMENDED PANEL CUTOUT



PCB CONFIGURATION

414459-1
PART NO

THIS DRAWING IS A CONTROLLED DOCUMENT.		DIN J. LIPPERT 10-6-92		Tyco Electronics Corporation Harrisburg, PA 17105-3608	
DIMENSIONS: INCHES		TOLERANCES UNLESS OTHERWISE SPECIFIED:		Tyco Electronics	
0 PLC ± -		1 PLC ± -		APVD A. GABANY 10-12-92	
1 PLC ± -		2 PLC ± 0.05 [.002]		NAME JACK, RIGHT ANGLE, PCB, 75 OHM, BNC	
2 PLC ± -		3 PLC ± -		PRODUCT SPEC	
3 PLC ± -		4 PLC ± -		APPLICATION SPEC	
4 PLC ± -		ANGLES ± -		SIZE CAGE CODE DRAWING NO	
MATERIAL SEE NOTES 1 - 5		FINISH SEE NOTES 6 - 8		WEIGHT	
				A1 00779 C=414459	
				CUSTOMER DRAWING	
				SCALE 4:1 SHEET 1 OF 1 REV H	