

NOTES:

1. MATERIALS AND FINISHES:

BODIES, SHELL, WASHER, - BRASS, NICKEL PLATING  
 NUT, BUSHING, & PIN  
 CONTACT - BRASS, SILVER PLATING  
 INSULATOR - PTFE, NATURAL  
 GASKETS - SILICONE RUBBER, RED  
 SPRING - BeCu, NICKEL PLATING  
 TERMINAL - COMPRESSION TYPE GLASS, SILVER PLATING

2. ELECTRICAL:

A. IMPEDANCE: 50 OHM, NOMINAL

3. MECHANICAL:

A. DURABILITY: 500 CYCLES MIN.  
 B. TEMPERATURE RANGE: -65° C TO +165° C

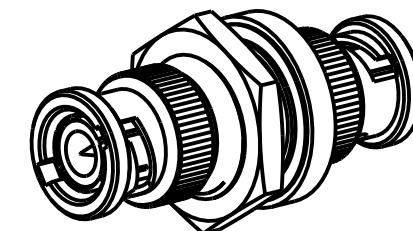
4. PACKAGING:

A. QUANTITY: SINGLE PACK  
 B. MARKING: BAG TO BE MARKED  
 "AMPHENOL RF, 75500, AND DATE CODE"

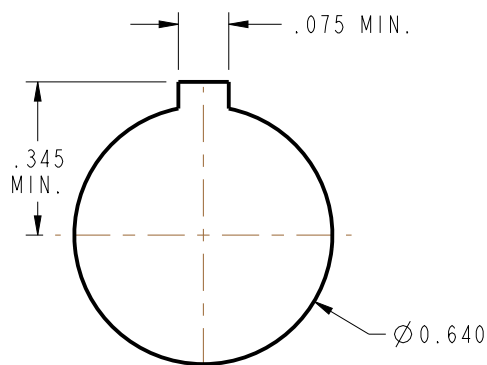
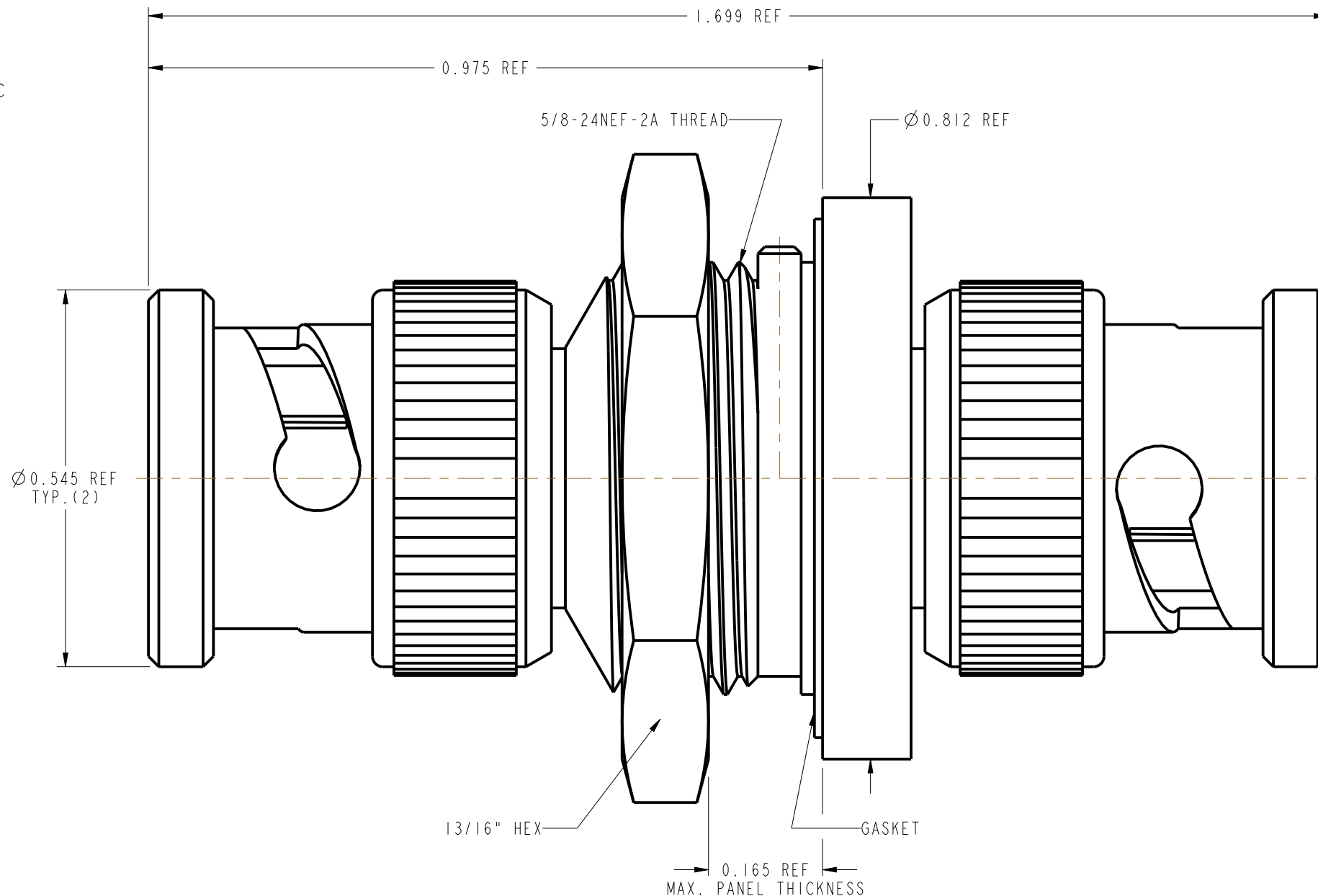
THIRD ANGLE PROJ.

REVISIONS

REV	DESCRIPTION	DATE	ECO	APPR
--	RELEASE TO MFG.	-----	-----	-----
L	ADDED COD, NO CHANGES	9/19/14	50147	AAP



SCALE 1.250



**RECOMMENDED MOUNTING HOLE DIMENSIONS**

INTERFACE PER MIL STD-348 SERIES: BNC PLUG 50 OHM TYP. (2)

**CUSTOMER OUTLINE DRAWING**

ALL OTHER SHEETS ARE FOR INTERNAL USE ONLY

UNLESS OTHERWISE SPECIFIED, DIMENSIONS ARE IN INCHES AND TOLERANCES ARE: 2 PLACE DECIMAL 3 PLACE DECIMAL ANGLES ±.015 (0,381 mm) ±.005 (0,127 mm) ± 1°	MATERIAL	DRAWN	DATE	TITLE BNC M-M ADAPTER, HERMETIC SEALED, PANEL MOUNTED		Amphenol RF www.amphenolrf.com	
	SEE NOTES	A ARUN PRABU	14-Aug-14				
NOTICE - These drawings, specifications, or other data (1) are, and remain the property of Amphenol corp. (2) must be returned upon request; and (3) are confidential and not to be disclosed to any person other than those to whom they are given by Amphenol Corp. the furnishing of these drawings, specifications, or other data by Amphenol Corp., or to any other person to anyone for any purpose is not to be regarded by implication or otherwise in any manner licensing, granting rights to permitting such holder or any other person to manufacture, use or sell any product, process or design, patented or otherwise, that may in any way be related to or disclosed by said drawings, specifications, or other data.	REFERENCE	ENGINEER	DATE	SCALE: 5.0:1.0 SHEET 2 OF 2		DRAWING NO. 75500	
	GENERAL DYNAMICS C8307-2, REV A	B.C. GLEISSNER	14-Aug-14				
	CONFIGURATION LEVEL: In Work	APPROVED	DATE		DWG SIZE B REV L		ITEM NO. 75500 PART NO. 75500
FINISH	K. CAPOZZI	9/10/14					