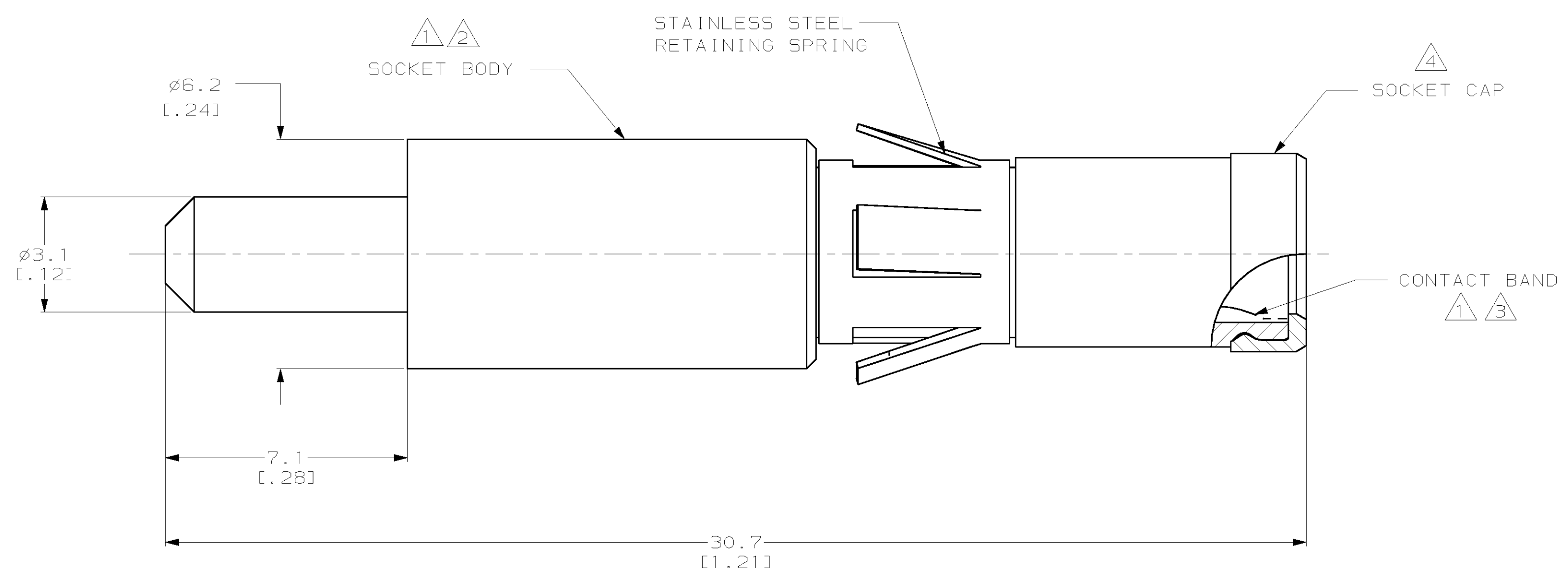


THIS DRAWING IS UNPUBLISHED. RELEASED FOR PUBLICATION
 BY AMP INCORPORATED. ALL RIGHTS RESERVED.

LOC	DIST	REVISIONS			
P	LTR	DESCRIPTION	DATE	DWN	APVD
CH	11	0	INITIAL RELEASE	10/JUL/97	RNP PRG
		A	ECN OB20-1629-97	12/NOV/97	RNP RAR

- ① MATERIAL: COPPER ALLOY.
- ② FINISH: SILVER PLATE 5 μM [200 μIN] THICK MIN. OVER 1.2 μM [50 μIN] THICK MIN. NICKEL OVER 0.1 μM [5 μIN] THICK COPPER FLASH.
- ③ FINISH: SILVER PLATE 5 μM [200 μIN] THICK MIN. OVER 1 μM [40 μIN] THICK MIN. NICKEL.
- ④ MATERIAL: ACETYL (DELRIN).
- 5. ALL DIMENSIONS ARE REFERENCE.



194252-1
PART NO.

<small>THIS DRAWING IS A CONTROLLED DOCUMENT FOR AMP INCORPORATED. IT IS SUBJECT TO CHANGE AND THE CONTROLLING ENGINEERING ORGANIZATION SHOULD BE CONTACTED FOR THE LATEST REVISION.</small>		DWN	10/JUL/97	AMP AMP Incorporated Harrisburg, PA 17105-3608
DIMENSIONS: mm [in]		CHK	RNP	
TOLERANCES UNLESS OTHERWISE SPECIFIED:		APVD	-	PRODUCT SPEC - APPLICATION SPEC -
0 PLC ±- 1 PLC ±- 2 PLC ±- 3 PLC ±- 4 PLC ±- ANGLES ±- FINISH -		WEIGHT	-	
MATERIAL		CUSTOMER DRAWING		SIZE: A2 CAGE CODE: 00779 DRAWING NO: ©=194252
		SCALE: 10:1		SHEET: 1 OF 1 REV: A