

This document is the property of Amphenol Corporation and is delivered on the express condition that it is not to be disclosed, reproduced or used in whole or in part, for manufacture or sale by anyone other than Amphenol Corporation without its prior consent, and that no right is granted to disclose or to use any information in this document.

REVISIONS				
SYM	ECN	DESCRIPTION	DATE	APPROVED
1	HK	PRELIMINARY RELEASE	3/31/06	IP
2	HK	Updated description	4/20/06	IP
3	HK	Screw 4-40x5/8" to 4-40x1/2" Add 0.677 REF and 0.281 REF.	2/10/07	IP
4	HK	Screw 4-40x5/8" to 4-40x3/8"	5/7/07	IP

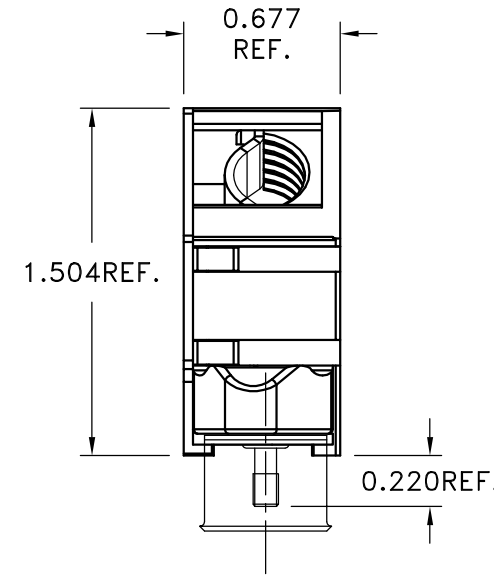
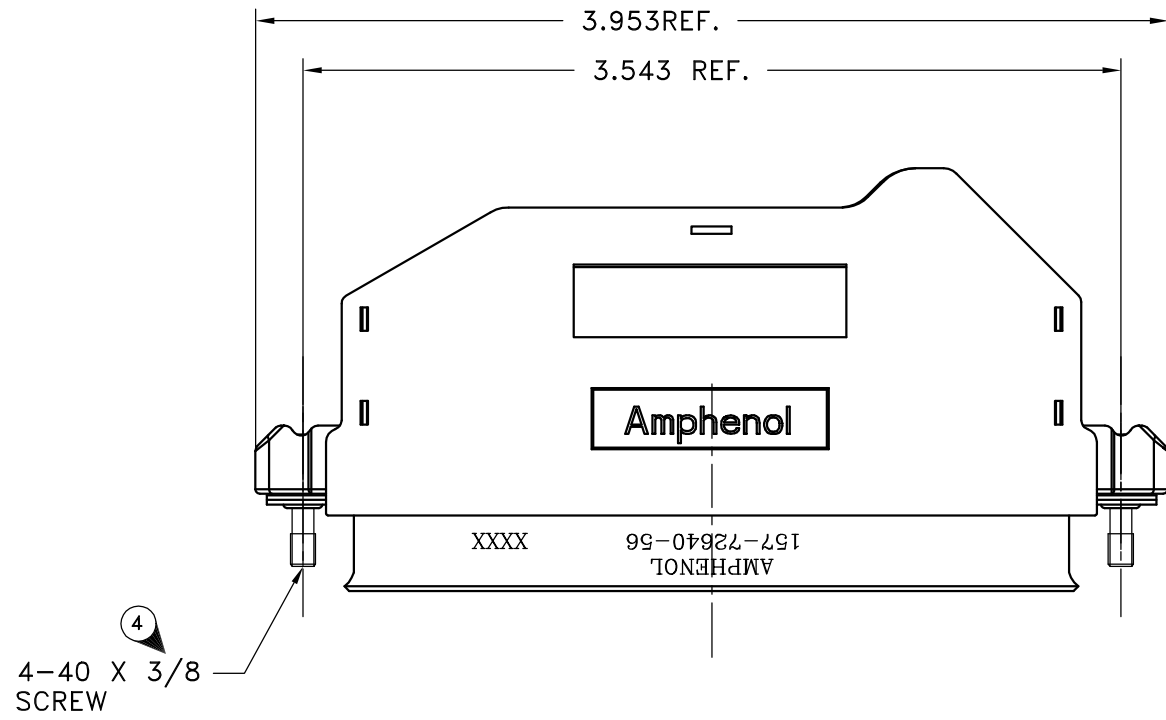
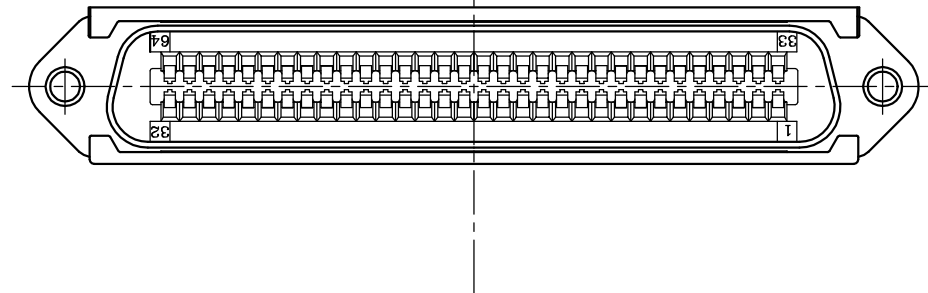


TABLE 1

CONNECTOR SIZES	AVERAGE MATING FORCE (POUNDS)
14	5
24	8
36	12
50	15
64	19



**SPECIFICATIONS:**

- 1) INSULATION DISPLACEMENT CONTACTS: TO ACCOMMODATE 24-26 AWG SOLID AND 26-28 STRANDED CONNECTOR WIRES.
- 2) DIELECTRIC: PBT GLASS FIBER RE-INFORCED, UL-94V0
- 3) CONTACT MATERIAL: COPPER ALLOY
- 4) CONTACT: 20 MICRO-INCHES MIN. GOLD MATING AREA: 3-5 MICRO-INCHES GOLD TERMINAL AREA: 50 MICRO-INCHES MIN. NICKEL UNDERPLATING ALL OVER.
- 5) SHELL MATERIAL: ZINC PLATED STEEL.
- 6) #4-40 SCREW MATERIAL: ZINC PLATED STEEL ; HOOD MATERIAL :PBT GLASS FIBER
- 7) CURRENT CAPACITY: 5 AMPS/CONTACT
- 8) VOLTAGE RATING: 700 VOLTS D.C. AT SEA LEVEL
- 9) INSULATION RESISTANCE: >5000 M OHM



- 10) DIELECTRIC WITHSTANDING VOLTAGE: 1200 VAC (RMS) AT SEA LEVEL
- 11) CONNECTOR MATING FORCE: REFER TO TABLE 1.
- 12) CONTACT RETENTION FORCE: 2 LBS MAX.
- 13) DURABILITY: 250 CYCLES MIN.
- 14) VIBRATION: NO INTERRUPTIONS < 1u SEC.
- 15) OPERATING TEMPERATURE: -55°C TO +105°C (-67°F TO +221°F)
- 16) MATERIAL SHOULD BE FULFILLED AMPHENOL SPEC. # SSN001.

**CUSTOMER INFORMATION DRAWING**

ITEM NO	NOMENCLATURE OR DESCRIPTION		QTY REQ'D										
<b>PARTS LIST</b>													
UNLESS OTHERWISE SPECIFIED TOLERANCES		APPROVAL	DATE										
U.S. METRIC		DRAWN XS.GUO	5/7/07										
.X +/- .020		CHECKED											
.XX +/- .010		CHECKED											
.XXX +/- .005													
FRACTIONS +/-													
ANGLES +/- 1°													
FOR MATERIALS AND FINISHES SEE NOTES		DRAWING FILE: \DRAWING\157\C1577264056.DWG											
REMOVE SHARP EDGES		ANGLE OF PROJECTION											
DIMENSIONS													
U.S.	INCHES	<table border="1"> <tr> <td>TITLE</td> <td>64 SIZE PLUG ASS'Y, 4-40 SCREW PLASTIC HOOD</td> </tr> <tr> <td>SIZE</td> <td>DRAWING NO.</td> </tr> <tr> <td>A3</td> <td>C157-72640-56</td> </tr> <tr> <td>SCALE</td> <td>NONE</td> </tr> <tr> <td></td> <td>SHEET 1 OF 1</td> </tr> </table>		TITLE	64 SIZE PLUG ASS'Y, 4-40 SCREW PLASTIC HOOD	SIZE	DRAWING NO.	A3	C157-72640-56	SCALE	NONE		SHEET 1 OF 1
TITLE	64 SIZE PLUG ASS'Y, 4-40 SCREW PLASTIC HOOD												
SIZE	DRAWING NO.												
A3	C157-72640-56												
SCALE	NONE												
	SHEET 1 OF 1												
-(METRIC)-	-(MM)-	REV.	4										