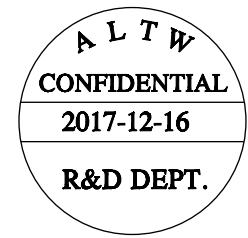
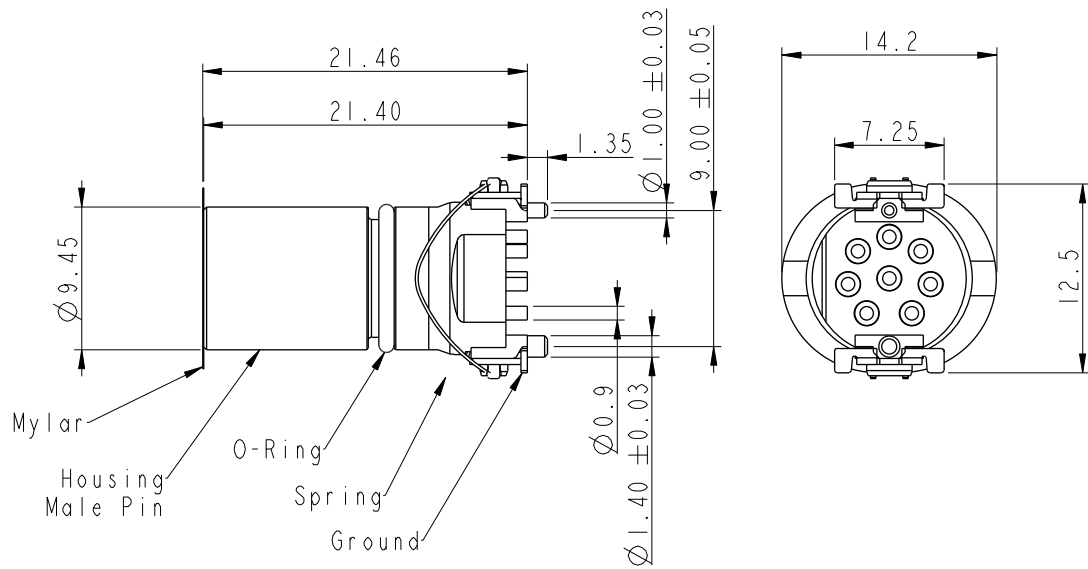


REV.	ECN NO.	DATE	SIGN	DESCRIPTION
A	Initial Release	2017/12/16	Arvin Chan	Change Rev.01 To Rev.A



Note:

- * \varnothing Important Dimension,
- Material Specification:
- * Housing : Thermoplastic
- * Male Pin : Copper Alloy, Gold Plated
- * Ground : Copper Alloy, Tin Plated
- * Spring : Stainless Steel
- * O-Ring : Silicone, Gray
- Electrical Specification:
- * Contact Resistance : 10m Ω Max.
- * Insulation Resistance : 100M Ω min.
- * Dielectric Withstanding Voltage : 1KV
- * Rated Voltage : 3Pin,4Pin 250V d.c. or a.c.
- 5Pin 60V d.c. or a.c.
- 8Pin 30V d.c. or a.c.
- * Rated Current : 3Pin,4Pin&5Pin 4A
- 8Pin 2A
- Mechanical Specification:
- * Durability : 1000 Cycles(IEC : 100 Cycles)
- Environmental Specification:
- * Temperature Range : -55~125°C
- * Salt Spray : 48h
- * SMT Temperature & Time : 260°C/5Sec
- * SMT Paste : 0.12mm min.

MSAS:M12 A Code Shield
 MSBS:M12 B Code Shield
 MSDS:M12 D Code Shield
 03:3Pin
 04:4Pin
 05:5Pin
 08:8Pin
 P:Panel
 M:Male Connector

MS * S - * * P M M T - E E 8 0 0 1

001:Serial Number
 8:IP68(Mated,1M/24Hours)
 IP65(Unmated)
 E:None Back Shell
 E:None Mating Style
 T:SMT Type
 M:Male Pin

UNIT:mm		
TOLERANCE	.X ±0.25	.XX ±0.1
	.XXX ±0.05	ANGLES ±1°

TITLE M12 M CONN M PIN SMT TYPE			
SCALE	1:1	SIZE	A4
		SHEET	1 OF 4
REV.	A	WC-REV.	A.2
\varnothing : Inspection item			

Amphenol LTW
 安費諾亮泰企業股份有限公司

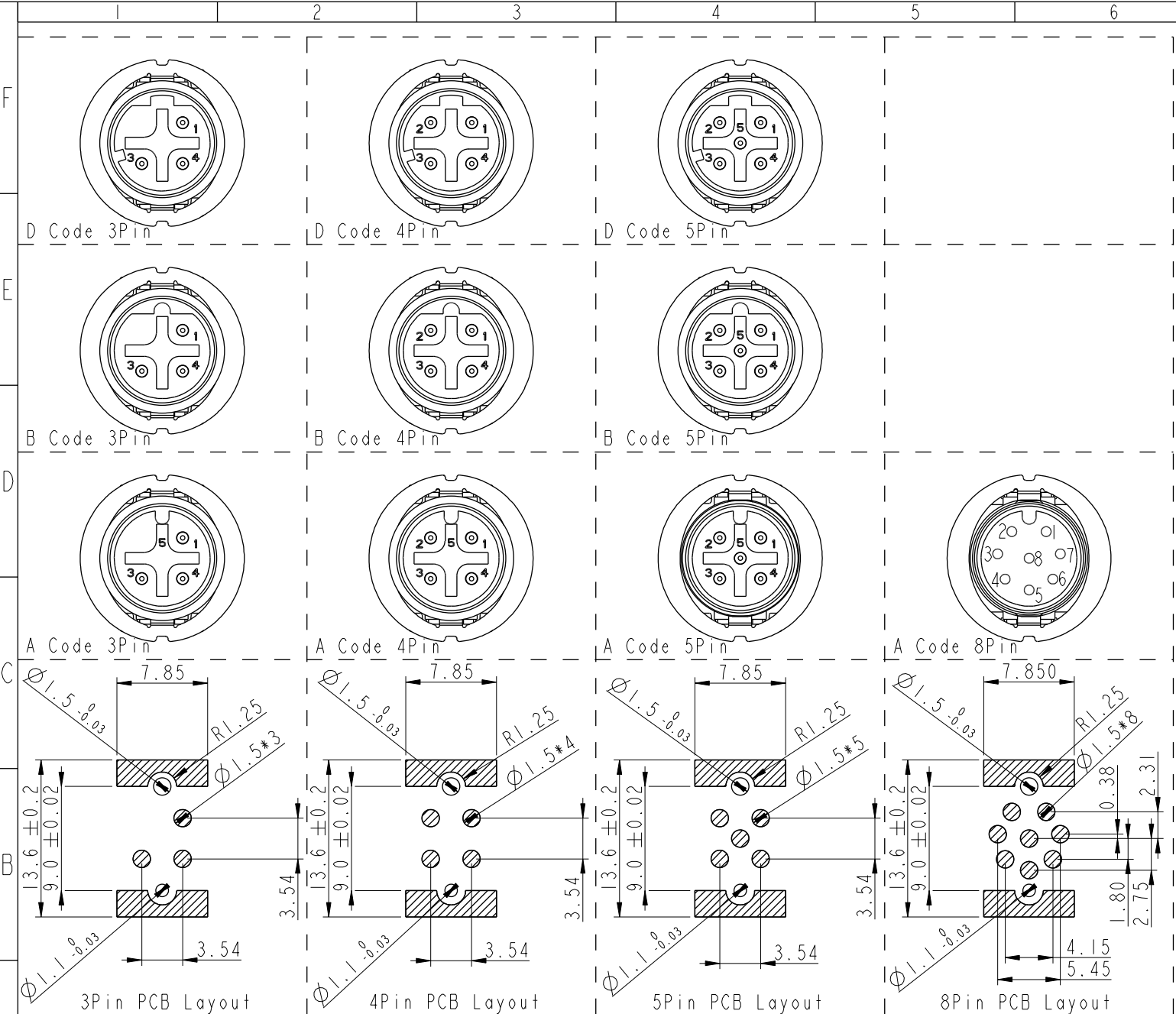
ITEM NO	DRAWN BY Arvin Chan	DATE 2017-12-16
DWG NO MSXS-XXPMMT-EE8XXX	CHECKED BY Aric Ko	DATE 2017-12-16
CUSTOMER ALTW	APPROVED BY Kevin Hu	DATE 2017-12-16

THIS DOCUMENT IS SUBJECT TO CHANGE WITHOUT NOTICE. IT IS CONFIDENTIAL AND A PROPERTY OF AMPHENOL LTW. DISCLOSURE TO THIRD PARTY HAS TO BE AUTHORIZED BY AMPHENOL LTW.

THIS DOCUMENT IS SUBJECT TO CHANGE WITHOUT NOTICE. IT IS CONFIDENTIAL AND A PROPERTY OF Amphenol LTW. DISCLOSURE TO THIRD PARTY HAS TO BE AUTHORIZED BY Amphenol LTW.

ALTW
CONFIDENTIAL
 2017-12-16
R&D DEPT.

ALTW
 DCC. DEPT.
 CONFIDENTIAL
 2018.01.11
ISSUED



UNIT: mm			
TOLERANCE			
.X	±0.25		
.XX	±0.1		
.XXX	±0.05		
ANGLES	±1°		

TITLE M12 M CONN M PIN SMT TYPE			
SCALE 1:1	SIZE A4	SHEET 2 OF 4	
REV. A	WC-REV. A.3	☉: Inspection item	

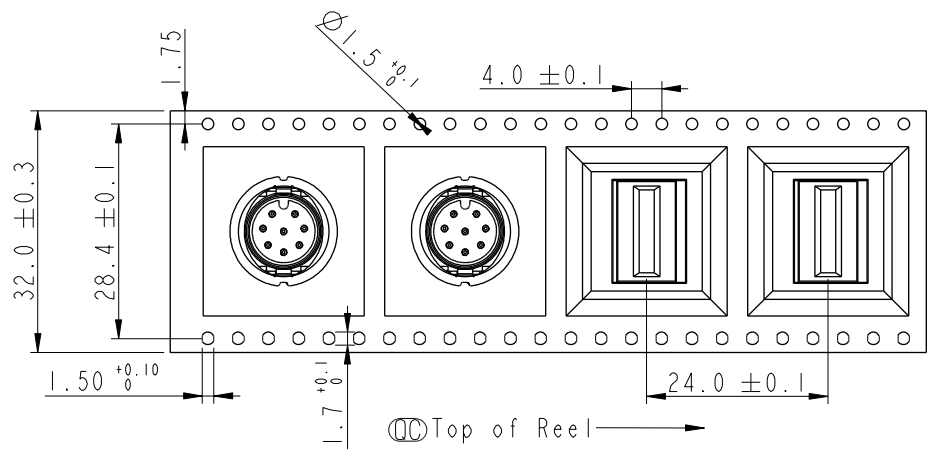
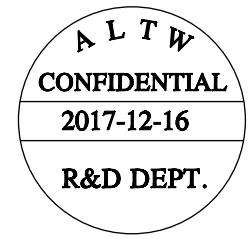
Amphenol LTW
安費諾亮泰企業股份有限公司

ITEM NO	DWG NO
	MSXS-XXPMT-EE8XXX
CUSTOMER	
ALTW	

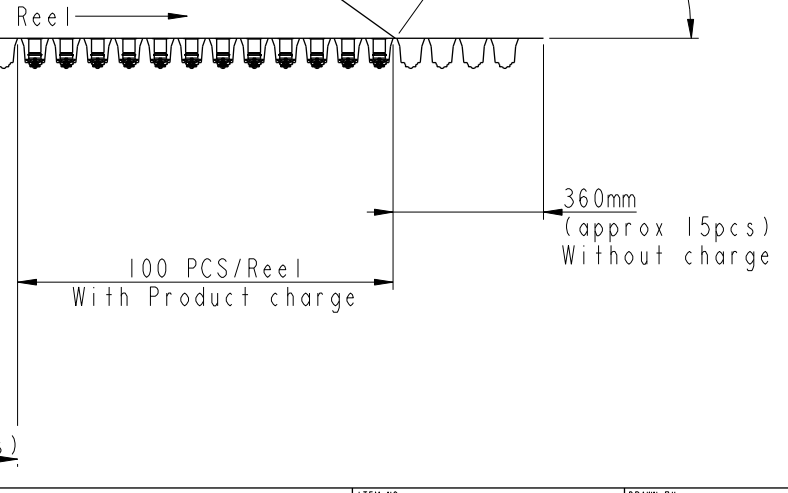
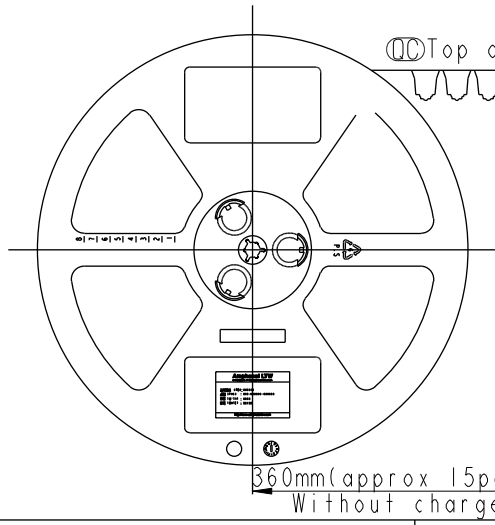
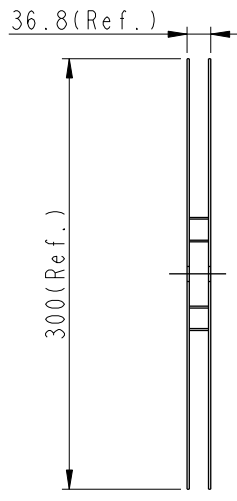
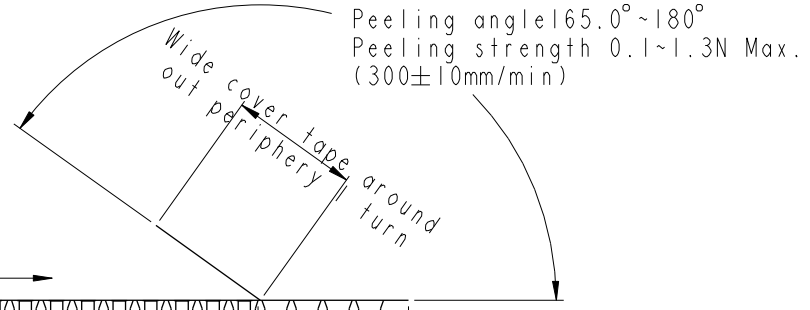
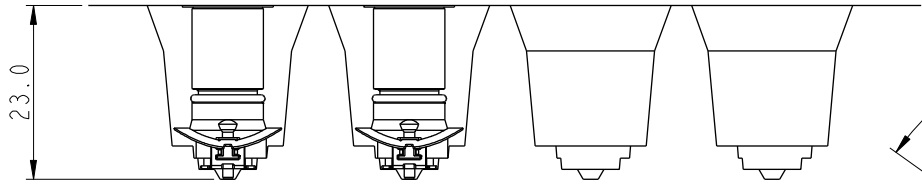
DRAWN BY	CHECKED BY
Arvin Chan	Aric Ko
APPROVED BY	
Kevin Hu	

DATE	DATE
2017-12-16	2017-12-16
DATE	DATE
2017-12-16	2017-12-16

THIS DOCUMENT IS SUBJECT TO CHANGE WITHOUT NOTICE. IT IS CONFIDENTIAL AND A PROPERTY OF AMPHENOL LTW. DISCLOSURE TO THIRD PARTY HAS TO BE AUTHORIZED BY AMPHENOL LTW.



Note :
 ◎◎ * Connector Orientat follow Drawing



UNIT: mm		
TOLERANCE	.X ±0.25	
.XX ±0.1		
.XXX ±0.05		
ANGLES	±1°	

TITLE M12 M CONN M PIN SMT TYPE			
SCALE 1:1	SIZE A4	SHEET 3 OF 4	
REV. A	WC-REV. A.3	◎◎: Inspection item	

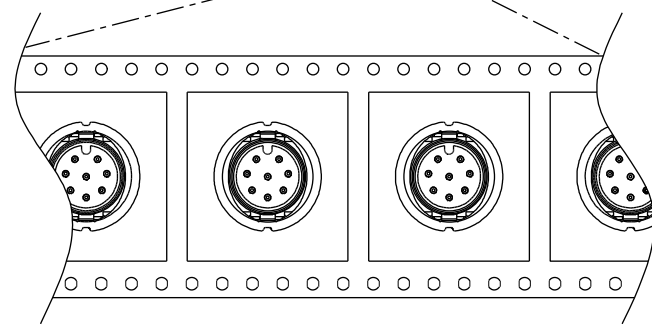
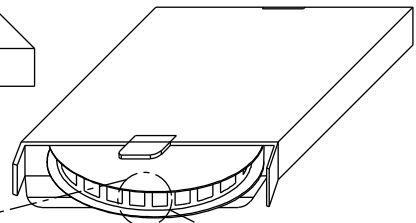
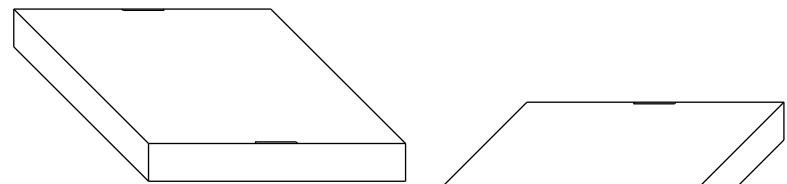
Amphenol LTW
 安費諾亮泰企業股份有限公司

ITEM NO	DRAWN BY Arvin Chan	DATE 2017-12-16
DWG NO MSXS-XXPMMT-EE8XXX	CHECKED BY Aric Ko	DATE 2017-12-16
CUSTOMER ALTW	APPROVED BY Kevin Hu	DATE 2017-12-16

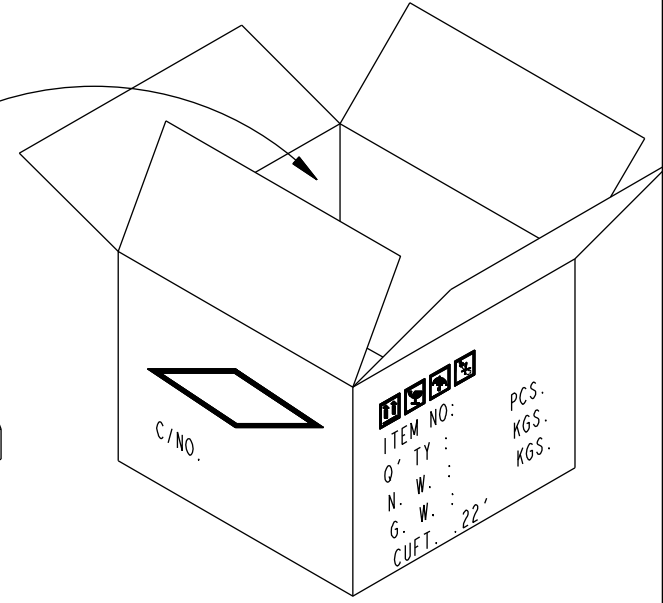
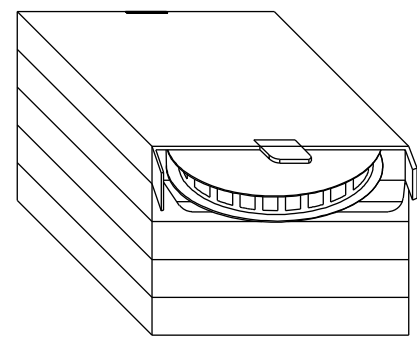
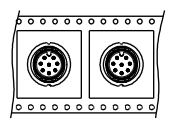
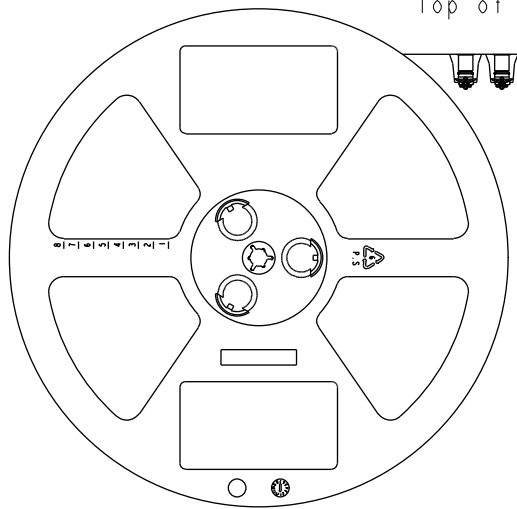
THIS DOCUMENT IS SUBJECT TO CHANGE WITHOUT NOTICE. IT IS CONFIDENTIAL AND A PROPERTY OF AMPHENOL LTW. DISCLOSURE TO THIRD PARTY HAS TO BE AUTHORIZED BY AMPHENOL LTW.

ALTW
CONFIDENTIAL
 2017-12-16
R&D DEPT.

ALTW
 DCC. DEPT.
 CONFIDENTIAL
 2018.01.11
ISSUED



Top of Reel →



Note:
 100 PCS(Connector)/Tape&Reel Put in a Box
 5PCS(Max.) Box Put in a Carton

UNIT: mm		
TOLERANCE		
.X	±0.25	
.XX	±0.1	
.XXX	±0.05	
ANGLES	±1°	

TITLE MI2 M CONN M PIN SMT TYPE			
SCALE 1:1	SIZE A4	SHEET 4 OF 4	
REV. A	WC-REV. A.3	QC: Inspection item	

Amphenol LTW
安費諾亮泰企業股份有限公司

ITEM NO.	DRAWN BY Arvin Chan	DATE 2017-12-16
DWG NO. MSXS-XXPMMT-EE8XXX	CHECKED BY Aric Ko	DATE 2017-12-16
CUSTOMER ALTW	APPROVED BY Kevin Hu	DATE 2017-12-16