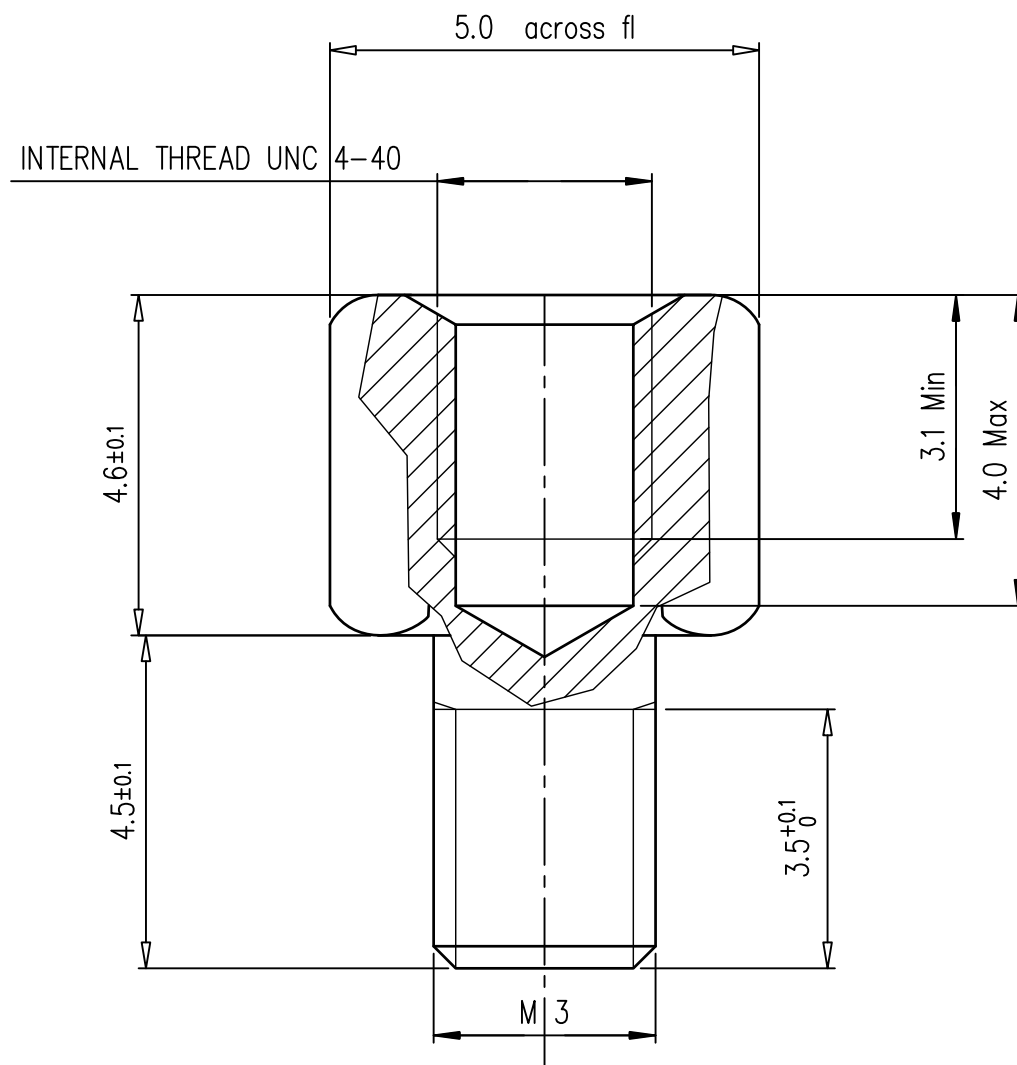


TECHNICAL CHARACTERISTICS :

Female screw locks: steel, tin plated .

Packaging : per 100 pieces .

Corrosion resistance : 50 hour exposure to salt spray .



NOTE: RoHS INFORMATIONS

- The "LF" products meet European union Directives and other country regulations as described in GS-22-008.
- Plating Sn (pure bright ) over copper
- Packaging spec: see GS-14-920

Part number	86551167TLF
-------------	-------------

European Views

www.fciconnect.com		surface ISO 1302 ✓	tolerance std ISO 406 ISO 1101	projection mm
TOLERANCES UNLESS OTHERWISE SPECIFIED				
Dr	JOUBERT	1995/10/16	ANGULAR	0.X ±0.1
Eng	PESSON	1995/10/16	LINEAR	0.XX ±0.1
Chr	ABHILASH	2011/01/25	0.XX ±2	0.XXX ±0.1
Appr	SUDHIR	2011/01/25	Product family	D-SUB
size				A3
ECN				111-0022
Spec ref				-

rev	ecn no	dr	date
B	-	JOU	1996/01/17
C	LS05-0026	MPE	2005/07/08
D	LS06-0097	LGO	2006/07/28
E	LS09-0006	PCR	2009/01/08
F	111-0022	AMR	2011/01/25
-	-	-	-
-	-	-	-

FCi	title	FEMALE SCREW LOCKS	dwg no	C01-8655-0684	Rev.	F
	catalog no	-				

Copyright FCI. FCI