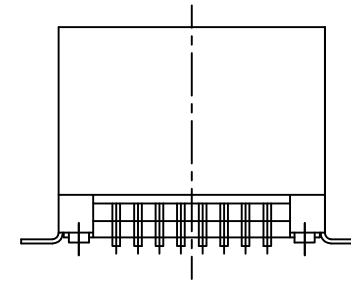
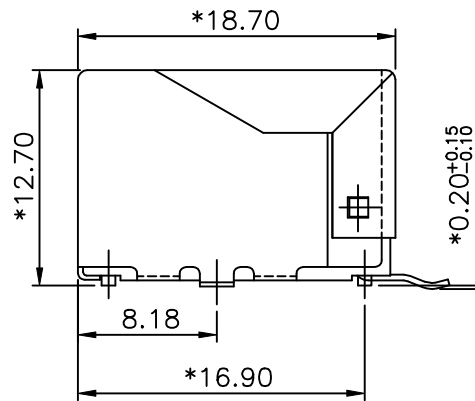
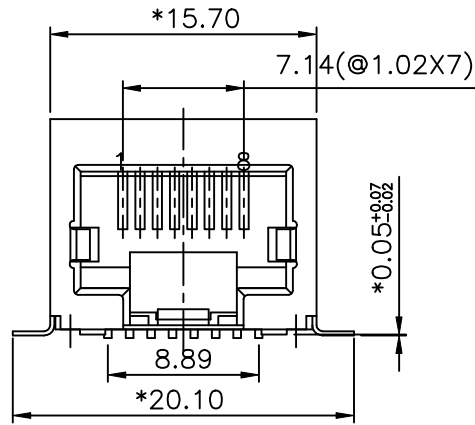


REVISION RECORD				
REV	ECO	DESCRIPTION	DRFT	CHKD
△		ADD TYPE	Synge 10/24/03	
△		NOTES MODIFY	Among 11/08/04	
△		NOTES MODIFY	SAMMY 01/25/05	



**NOTES:**

**ELECTRICAL:**

- 1. VOLTAGE RATING : 125 VAC RMS.
- 2. CURRENT RATING : 1.5 AMP.
- 3. CONTACT RESISTANCE : 35 MILLIOHMS MAX.
- 4. INSULATION RESISTANCE : 1000 MEGOHMS MIN @ 500 VDC.
- 5. DIELECTRIC STRENGTH : 1000 VAC RMS 60Hz, 1MIN.

**MECHANICAL:**

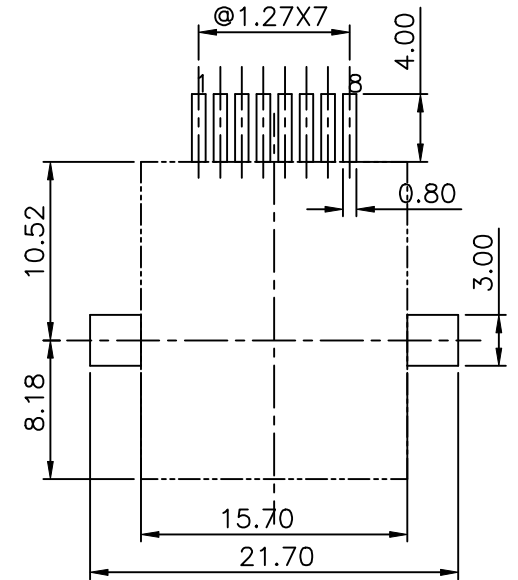
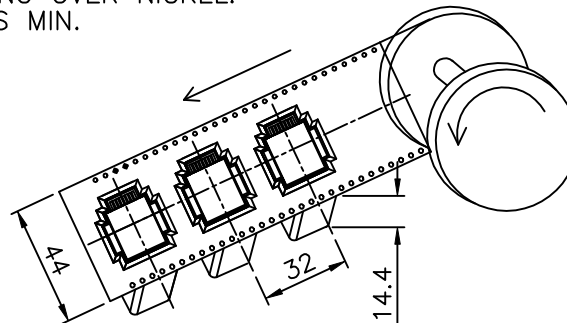
- 1. HOUSING MATERIAL : FR52
- 2. CONTACT MATERIAL : PHOSPHOR BRONZE t=0.35mm.
- △ 3. PLATING : GOLD PLATING OVER NICKEL.
- 4. OPERATING LIFE : 750 CYCLES MIN.
- 5. PCB RETENTION PRE-SOLDER : 1 LB MIN.
- 6. PCB RETENTION POST-SOLDER: 10 LBS MIN.

**ENVIRONMENTAL:**

- 1. STORAGE : -40°C TO +85°C.
  - 2. OPERATION: -40°C TO +85°C.
- MATES WITH MODULAR PLUG CONFORMING TO FCC PART 68, SUBPART F.

PART NUMBER: E538X-UF05YX

△ 4-4C	1-3u"	2-6u"
6-6C	3-15u"	4-30u"
8-8C	5-50u"	
△ Lead-Free P/N: E538X-UF05YX-L		
△ 4-4C	1-3u"	2-6u"
6-6C	3-15u"	4-30u"
8-8C	5-50u"	



PC BOARD LAYOUT COMPONENT SIDE SHOWN

DETACHED LISTS	MM (INCH)	DFTO boton DATE 2/21/01	FULL RISE ELECTRONIC CO., LTD	
	TOLERANCES EXCEPT AS NOTED	CHKD QIANPU DATE 2005/1/25		
	.0 ±0.20	MFO DATE	TITLE	
	.00 ±0.15	APPVILLUSHENG DATE 2005/1/25	W/ SHIELD	
.000 ±0.075	MATERIAL :	SIDE ENTRY 8P SMT		
ANGLES ±	QT'Y :	DRAWING NO. GE533046	SIZE A3	REV 3
THIRD ANGLE PROJECTION	FINISH :	/PART NO. SEE NOTE	DO NOT SCALE DRAWING	
	SCALE : 3:1	SHEET X	OF Y	