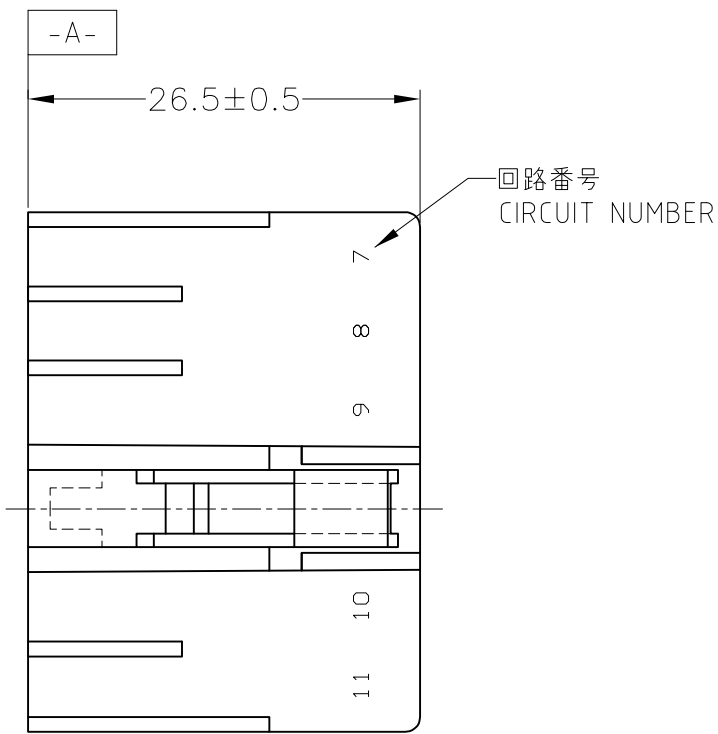
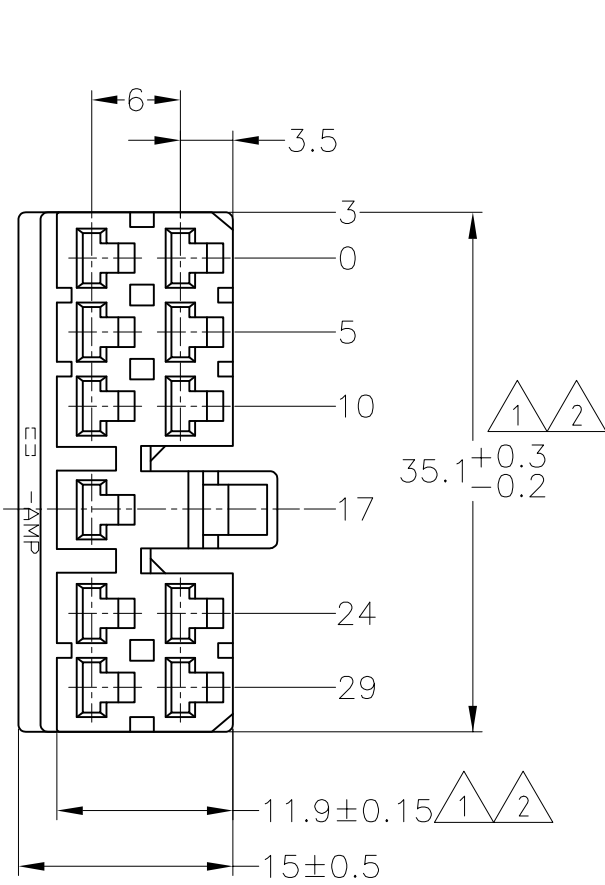


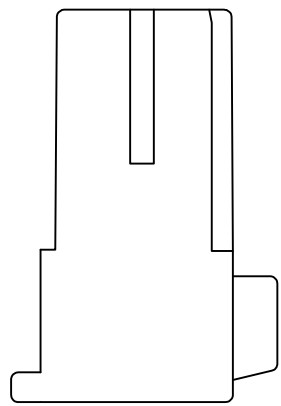
THIS DRAWING IS UNPUBLISHED. RELEASED FOR PUBLICATION  
 © COPYRIGHT - By - ALL RIGHTS RESERVED.

LOC	DIST	REVISIONS					
		P	LTR	DESCRIPTION	DATE	DWN	APVD
J	-	F1	REVISED	ECR-14-017602	25NOV2014	TS	KB



- 1. -A- 面より 2mm の範囲で測定。
- 2. 相手ハウジングと所定の機能を満たして嵌合できること。
- 3. 適用リセプタクルコンタクト型番：170177, 170286, 170307
- 4. 適用製品規格番号：108-5093, 108-5099
- 5. 相手ハウジングとの嵌合力は 29.4N (3Kg) 以下、  
但し、コンタクトは含まない。

- 1. TO BE MEASURED WITHIN 2mm FROM -A-
- 2. IN COUPLING WITH THE PLUG HOUSING MATING SATISFIES FUNCTION.
- 3. APPLIDE CONTACTPART NUMBER: 170177, 170286 170307
- 4. PRODUCT SPECIFICATION NUMBER: 108-5093, 108-5099
- 5. IN COUPLING WITH THE PLUG HOUSING MATING FORCE 29.4N (3Kg) MAX. WITHOUT REC CONTACTS.



OBSOLETE	黄 / YELLOW	172024-7
OBSOLETE	灰 / GRAY	172024-6
OBSOLETE	青 / BLUE	172024-5
	緑 / GREEN	172024-4
OBSOLETE	茶 / BROWN	172024-3
	黒 / BLACK	172024-2
	自然色 / NATURAL	172024-1
	色 / COLOR	型番 / PART NUMBER

GENERAL TOLERANCE

10 ≥	: ±0.2
30 ≥ > 10	: ±0.25
100 ≥ > 30	: ±0.3
ANGLE : ±3°	

THIS DRAWING IS A CONTROLLED DOCUMENT.

DWN	T.SHINOHARA	30JUL09
CHK	K.BETSUI	30JUL09
APVD	K.BETSUI	30JUL09
PRODUCT SPEC	SEE NOTE 4	
APPLICATION SPEC	-	
WEIGHT	-	
CUSTOMER DRAWING		

MATERIAL: 66 NYLON, FINISH: -

TE Connectivity

MULTI-INTERLOCK CONNECTOR  
11 POSITION PLUG HOUSING

SIZE	CAGE CODE	DRAWING NO	RESTRICTED TO
A3	00779	C=172024	-

SCALE: 2:1, SHEET: 1 of 1, REV: F1