

製品名	製品コード	B	C	D
DF40C-20DS-0.4V(70)	CL684-4005-9-70	6.6	3.6	1.0
DF40C-24DS-0.4V(70)	CL684-4006-1-70	7.4	4.4	1.2
DF40C-30DS-0.4V(70)	CL684-4007-4-70	8.6	5.6	1.5
DF40C-40DS-0.4V(70)	CL684-4008-7-70	10.6	7.6	3.2
DF40C-44DS-0.4V(70)	CL684-4096-4-70	11.4	8.4	3.2
DF40C-50DS-0.4V(70)	CL684-4009-0-70	12.6	9.6	3.2
DF40C-60DS-0.4V(70)	CL684-4004-6-70	14.6	11.6	3.2
DF40C-70DS-0.4V(70)	CL684-4016-5-70	16.6	13.6	3.2
DF40C-80DS-0.4V(70)	CL684-4002-0-70	18.6	15.6	3.2
DF40C-100DS-0.4V(70)	CL684-4033-4-70	22.6	19.6	3.2

NO.	MATERIAL	FINISH	REMARKS	NO.	MATERIAL	FINISH	REMARKS
2	PHOSPHOR BRONZE	CONTACT AREA: GOLD 0.05 μm MIN		5	PS	BLACK	
		SMT LEAD: GOLD 0.05 μm MIN		4	POLYESTER	CLEAR, COVER TAPE	
		UNDERPLATING: NICKEL 1 μm MIN		3	PS	CLEAR, EMBOSSED CARRIER TAPE	
1	LCP	BLACK, UL94V-0					

UNITS	SCALE	COUNT	DESCRIPTION OF REVISIONS	DESIGNED	CHECKED	DATE
mm	10:1	△	APPROVED : KH. IKEDA 09.10.19			
			CHECKED : AR. TAKAHASHI 09.10.17			
			DESIGNED : TK. SUZUKI 09.10.17			
			DRAWN : KR. AJITO 09.10.16			

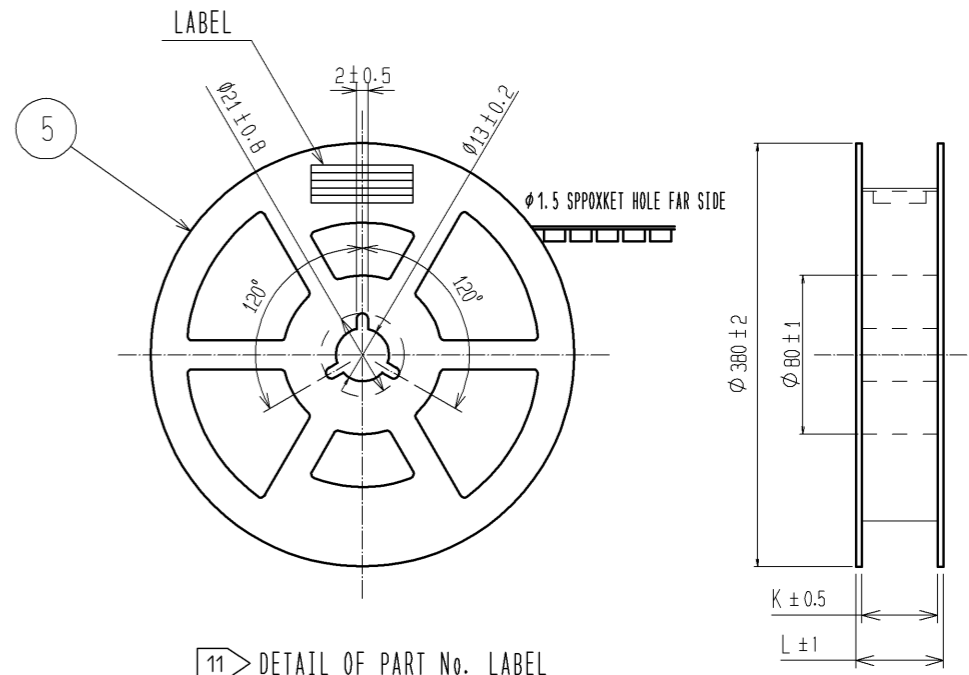
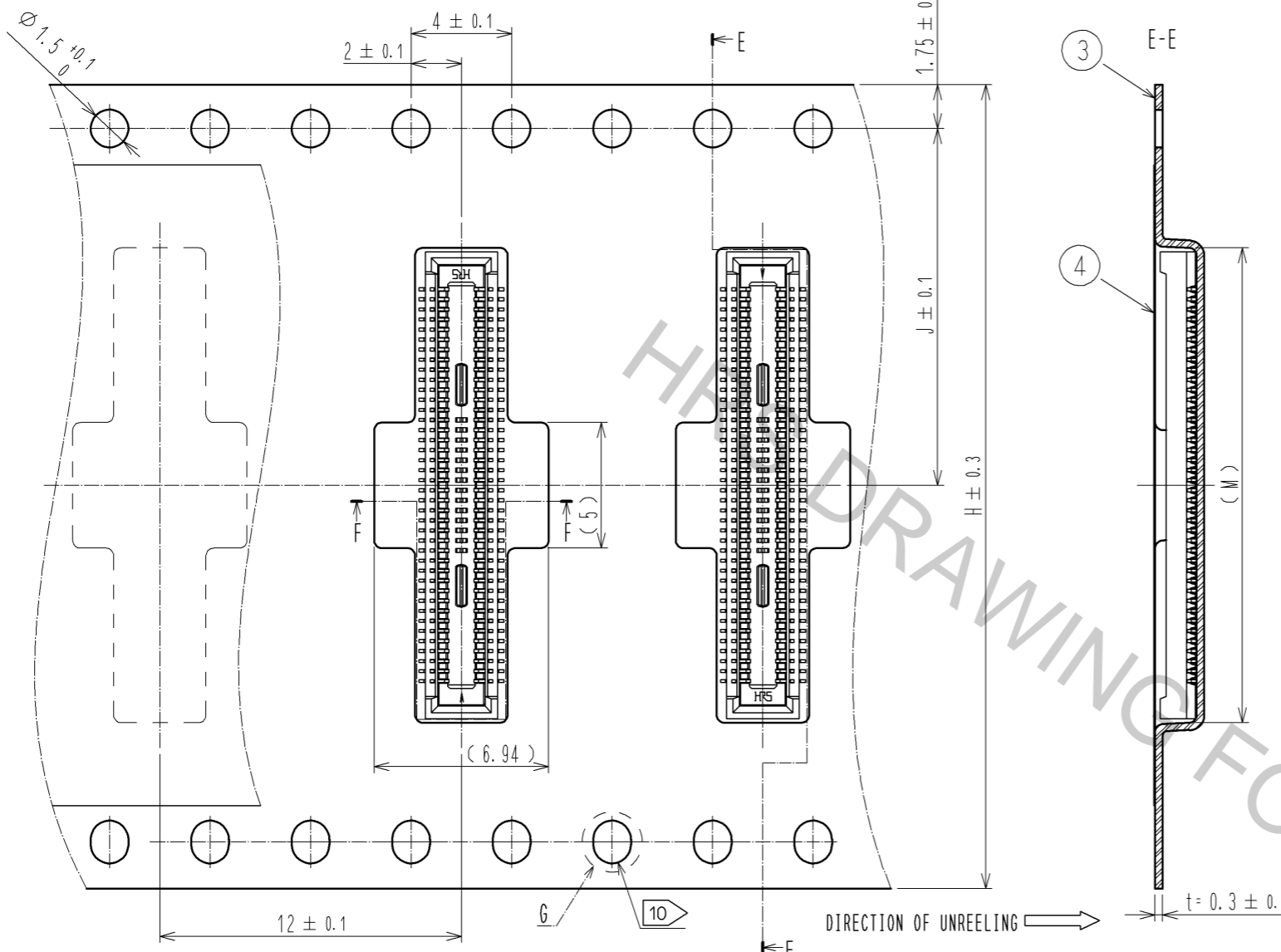
  

DRAWING NO.	EDC3-311352-02
PART NO.	DF40C-*DS-0.4V(70)
CODE NO.	CL684

Apr.1.2017 Copyright 2017 HIROSE ELECTRIC CO., LTD. All Rights Reserved.

EMBOSSED CARRIER TAPE PACKAGING(5:1)

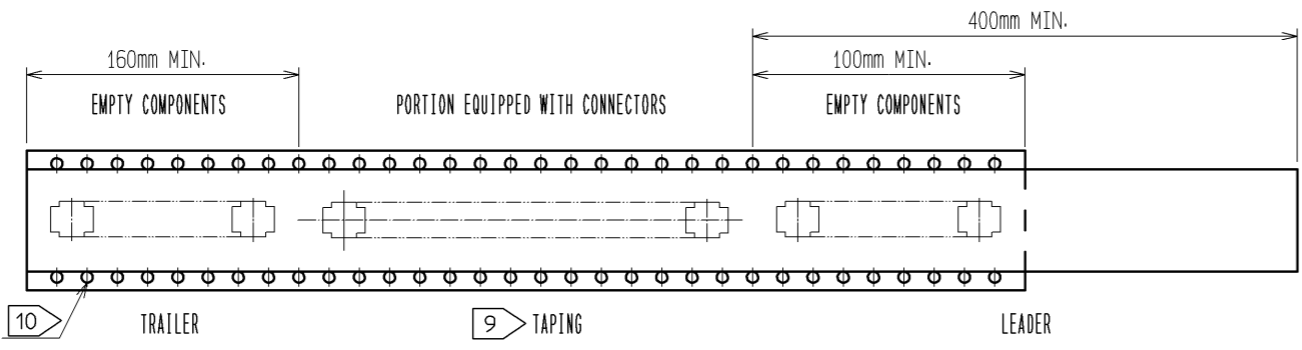
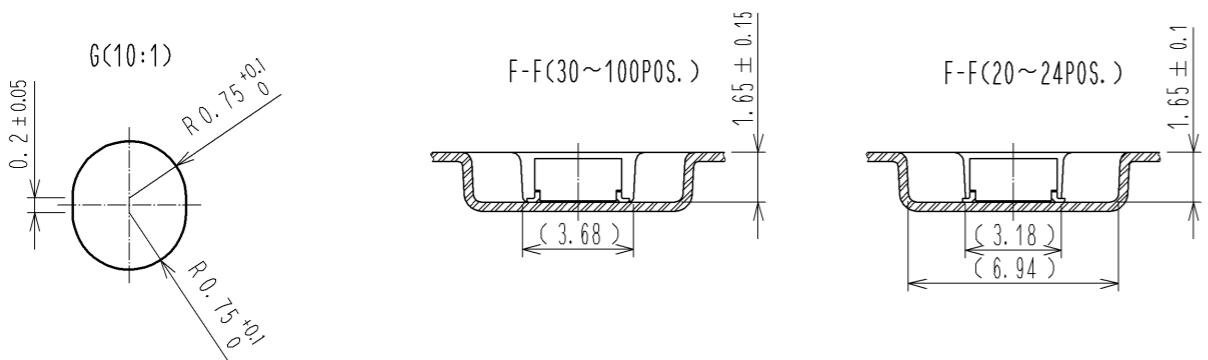
STYLE AND DIMENSION OF REEL(FREE SIZE)



11) DETAIL OF PART No. LABEL

製造年月日	** ** *
製品コード	** ** *
製品名	DF40C-*DS-0.4V(70)
数量	3000
納入者	ヒロセ電機(株)

製品名	H	J	K	L	M
DF40C-20DS-0.4V(70)	16	7.5	17.5	21.5	6.9
DF40C-24DS-0.4V(70)	16	7.5	17.5	21.5	7.7
DF40C-30DS-0.4V(70)	24	11.5	25.5	29.5	8.9
DF40C-40DS-0.4V(70)	24	11.5	25.5	29.5	10.9
DF40C-44DS-0.4V(70)	24	11.5	25.5	29.5	11.7
DF40C-50DS-0.4V(70)	24	11.5	25.5	29.5	12.9
DF40C-60DS-0.4V(70)	24	11.5	25.5	29.5	14.9
DF40C-70DS-0.4V(70)	32	14.2	33.5	37.5	16.9
DF40C-80DS-0.4V(70)	32	14.2	33.5	37.5	18.9
DF40C-100DS-0.4V(70)	44	20.2	45.5	49.5	22.9



NOTES  
 7. PER REEL 3000 CONNECTORS.  
 8. THE DIMENSIONS IN PARENTHESES ARE FOR REFERENCE.  
 9) REFER TO JIS C 0806(PACKING OF COMPONENTS FOR AUTOMATIC HANDLING)  
 10) 10 TO 60 POSITIONS EMBOSSED CARRIER TAPE HAS THE SPROCKET HOLE ON ONE SIDES.  
 11) DETAIL OF PART No. LABEL IS WRITTEN IN JAPANESE. PART No. LABEL DESCRIBES THE FOLLOWING INFORMATION FROM TOP.  
 PRODUCTION DATE:  
 PRODUCT CODE: CL684-\*\*\*\*-\*-70  
 PART NUMBER: DF40C-\*DS-0.4V(70)  
 NUMBER OF PIECES: 3000 PIECES  
 SUPPLIER NAME: HIROSE ELECTRIC CO., LTD.

<b>HRS</b>	DRAWING NO.	EDC3-311352-02
	PART NO.	DF40C-*DS-0.4V(70)
	CODE NO.	CL684
		△ 2/2