

4

3

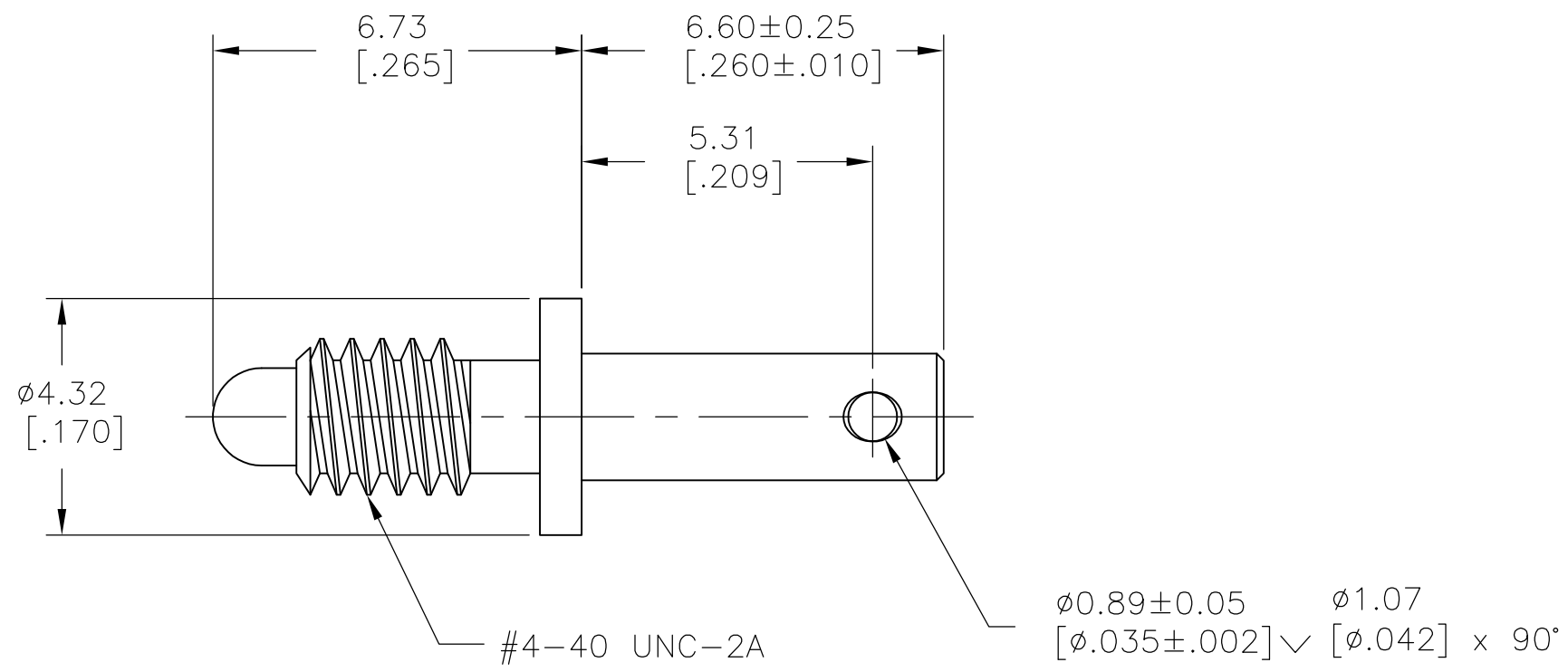
2

1

THIS DRAWING IS UNPUBLISHED.      RELEASED FOR PUBLICATION      - , - .  
 © COPYRIGHT - By -      ALL RIGHTS RESERVED.

LOC	DIST	REVISIONS					
AD	26	P	LTR	DESCRIPTION	DATE	DWN	APVD
		A		NEW DRAWING	10JAN12	KH	AS

- △ 1 MATERIAL: STAINLESS STEEL.
- △ 2 FINISH: PASSIVATED.



598196-2  
 PART NUMBER

THIS DRAWING IS A CONTROLLED DOCUMENT.		DWN KIRAN HOLAL 10JAN12	TE Connectivity			
DIMENSIONS: mm [INCHES]		CHK ALEXANDER SHARPE 10JAN12				
TOLERANCES UNLESS OTHERWISE SPECIFIED: 0 PLC ± - 1 PLC ± - 2 PLC ± - 3 PLC ± 0.13 [.005] 4 PLC ± - ANGLES ± -		APVD ALEXANDER SHARPE 10JAN12	NAME			
		PRODUCT SPEC	JACKSCREW, MALE HDI			
MATERIAL		APPLICATION SPEC	SIZE	CAGE CODE	DRAWING NO	RESTRICTED TO
△ 1		WEIGHT	A3	00779	C-598196	-
FINISH		CUSTOMER DRAWING		SCALE	SHEET	REV
△ 2				8:1	1 OF 1	A