

**Contact assignment:**

1	white	1
2	brown	2
3	green	3
4	yellow	4
5	grey	5
6	pink	6
7	blue	7
8	red	8
Shielding		
coupling nut/		
-screw		

**Technical specification :**

Rated voltage:	30 V
IEC 61076-2-104	
Current rating:	1,5 A bei 40°C
IEC 61076-2-104	
Insulation resistance:	>=100 MΩ
IEC 60512	
Pollution degree:	3/2
IEC 60664-1	
Degree of protection:	IP 67, in mated condition
IEC 60529	
Temperature range:	-30°C ... +80°C
EN 60512-11-10	
EN 60512-11-4	-40°C ... +85°C
Mating cycles:	>=100
IEC 60512-9a	

**Cable specification:**

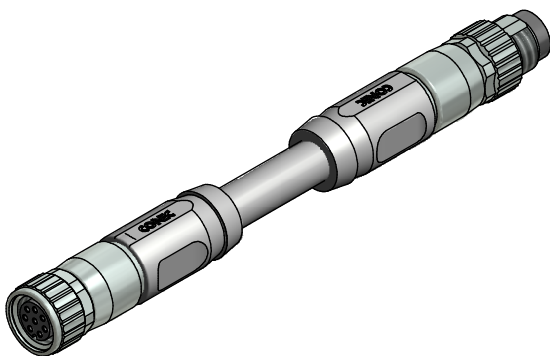
Temperatur range:	
static	-30°C ... +80°C
flexibel	-15°C ... +80°C

**Materials:**

Contact:	CuZn, Ni b / Au 0,2 gal.
Contact carrier:	PA, UL 94 V-0
Sealing:	FPM
Coupling nut/ -screw:	GD-Zn, Nickel plated
Moulding body:	TPU, UL 94 HB, grey
Shielding bush:	CuZn, Nickel plated

**Installation specification:**

Recommended torque:	0,4 Nm
Conec installation tool:	Torque wrench: 36-000200 Insert across flats 9: 36-000210



Part-no:	Description:	Length L:	Cable:
42-12206	SAL - 8S - RK8 - RS8 - 0,3 / G3	0,3m	PVC, UL 2464, grey, 8x0,14mm <sup>2</sup> Cable: 781-G31800
42-12207	SAL - 8S - RK8 - RS8 - 0,6 / G3	0,6m	
42-12208	SAL - 8S - RK8 - RS8 - 1,5 / G3	1,5m	
42-12209	SAL - 8S - RK8 - RS8 - 3 / G3	3m	
42-xxxxx	SAL - 8S - RK8 - RS8 - ... / G3	x	

DO NOT ALTER CAD DRAWING BY HAND RoHS & REACH compliant	Index a: 01.06.2015 rch Ä5648 Data sheet changed	dim. in mm		title: <b>Connecting cable M8x1, 360°-shielding, female connector axial - male connector axial</b>	
		date	name		
	tolerance of cable: L ≤ 4m: L + 40mm L > 4m: L + 1%	drawn	25.09.13	Christen	dwg no:  <b>42K1A561</b>
	general tolerance: 0 ± 0,50mm 0,0 ± 0,25mm 0,00 ± 0,10mm x ± 5°	appd.	25.09.13	Mankopf	
	THIS DRAWING MAY NOT BE COPIED OR REPRODUCED IN ANY WAY, AND MAY NOT BE PASSED ON TO A THIRD PARTY WITHOUT WRITTEN PERMISSION. OWNERSHIP AND COPYRIGHT OF CONEC GmbH	<b>CONEC</b> ®		part no:	