

THIS DRAWING IS UNPUBLISHED.

RELEASED FOR PUBLICATION

ALL RIGHTS RESERVED.

LOC H

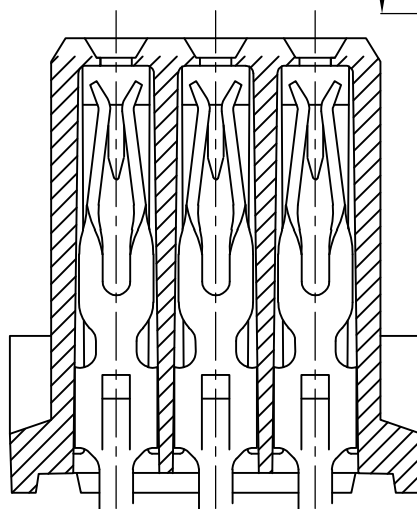
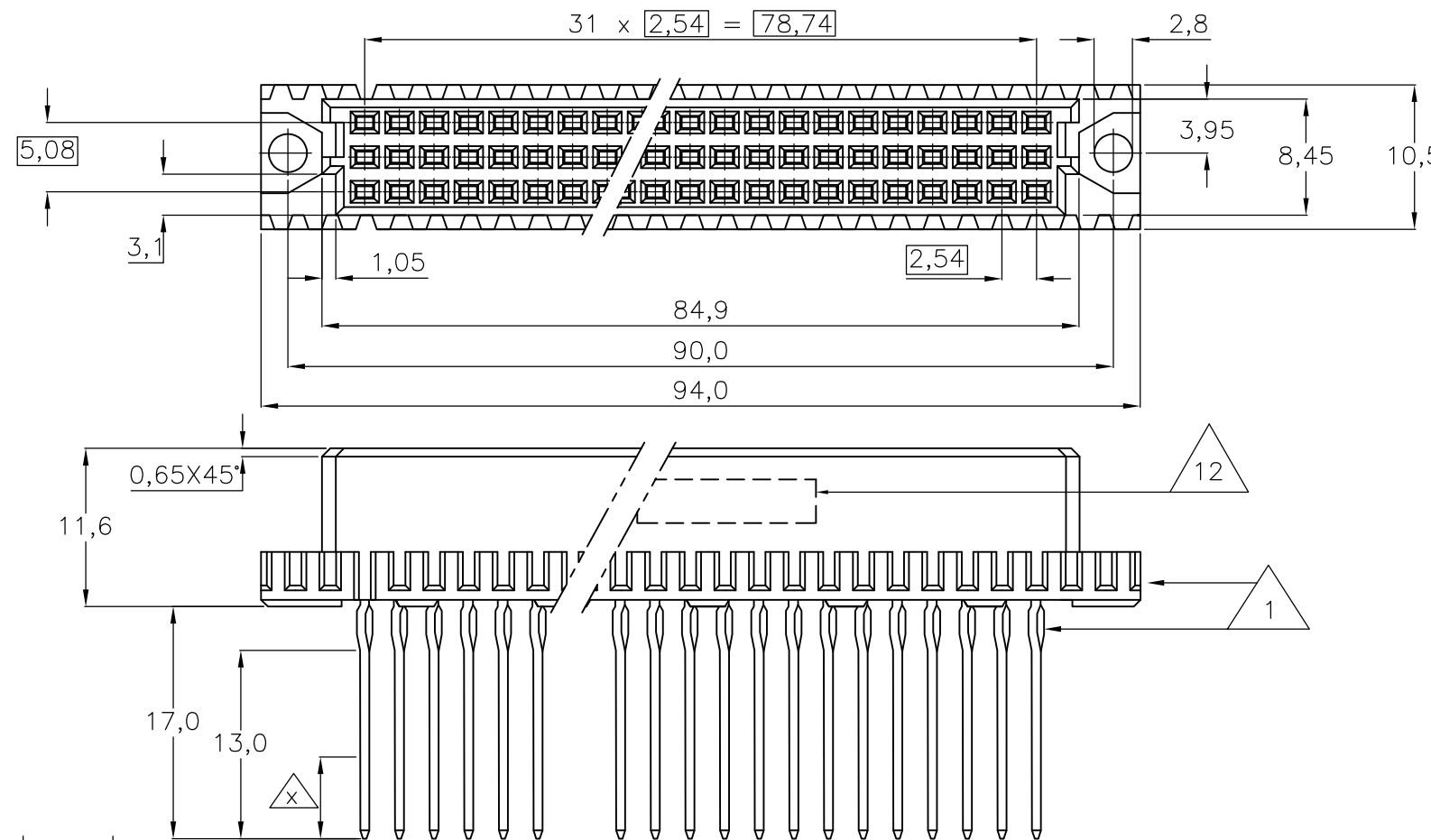
DIST -

REVISIONS

P	LTR	DESCRIPTION	DATE	DWN	APVD
	K	EH00-0520-96	03-02-97	JG	-
	N	ECR-07-020965	26-08-08	AEG	MKO
	N1	ECR-10-024793	14OCT11	RK	MKO

NOTES:

- 1 CONNECTOR MEETS THE REQUIREMENTS ACC. DIN 41612 AND DIN 41611, PART 2 AND 5.
- 2 MATERIAL CONTACT: PHOSPHORBRONZE. MATERIAL HOUSING: GLASSFILLED THERM. POLYESTER.
- 3 AT CONTACTAREA 1,25µm GOLD OVER 1,25µm NICKEL. REMAINDER 1,25µm TIN.
- 4 AT CONTACTAREA 0,8µm GOLD OVER 1,25µm NICKEL. REMAINDER 1,25µm TIN.
- 5 AT CONTACTAREA 2,0µm GOLD OVER 1,25µm NICKEL. REMAINDER 1,25µm TIN.
- 6 AT CONTACTAREA 0,4µm GOLD OVER 1,25µm NICKEL. REMAINDER 1,25µm TIN.
- 7 AT CONTACTAREA AND AREA \triangle 1,25µm GOLD OVER 1,25µm NICKEL. AT ACTION PIN AREA 1,25µm TIN.
- 8 AT CONTACTAREA AND AREA \triangle 0,8µm GOLD OVER 1,25µm NICKEL. AT ACTION PIN AREA 1,25µm TIN.
- 9 AT CONTACTAREA AND AREA \triangle 2,0µm GOLD OVER 1,25µm NICKEL. AT ACTION PIN AREA 1,25µm TIN.
- 10 AT CONTACTAREA AND AREA \triangle 0,4µm GOLD OVER 1,25µm NICKEL. AT ACTION PIN AREA 1,25µm TIN.
- 11 AT CONTACTAREA 0,8µm GOLD AND 0,4µm GOLD AT AREA \triangle OVER 1,25µm NICKEL. AT ACTION PIN AREA 1,25µm TIN.
- 12 CONNECTOR PRINTED WITH PARTNUMBER AND DATECODE ON OUTSIDE OF MATING AREA OF ROW c.



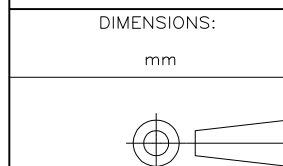
P.C.B. HOLE DIM. ACTION PIN	
DRILLED HOLE	: 1,15 ± 0,025 mm
FIN. HOLE	: 0,94 to 1,09 mm
AFTER REFLOW	: 0,91 to 1,09 mm
Cu-thks	: 0,025 to 0,075 mm
SnPb-thks	: 0,004 to 0,010 mm

OBSOLETE	\triangle 11	\triangle 2	8-215614-4
OBSOLETE	\triangle 10	\triangle 2	1-215614-8
OBSOLETE	\triangle 9	\triangle 2	1-215614-7
SUPERSEDED BY 1-148059-5	\triangle 8	\triangle 2	1-215614-4
SUPERSEDED BY 1-148059-5	\triangle 7	\triangle 2	1-215614-1
OBSOLETE	\triangle 6	\triangle 2	215614-8
OBSOLETE	\triangle 5	\triangle 2	215614-7
SUPERSEDED BY 5148059-5	\triangle 4	\triangle 2	215614-4
SUPERSEDED BY 5148059-5	\triangle 3	\triangle 2	215614-1
	FINISH	MATERIAL	PARTNUMBER

ROW	a	b	c
POS	32	31	30
	29	28	27
	26	25	24
	23	22	21
	20	19	18
	17	16	15
	14	13	12
	11	10	9
	8	7	6
	5	4	3
	2	1	

AN ASTERISK „X” DENOTES A SIGNAL CONTACT.

THIS DRAWING IS A CONTROLLED DOCUMENT.



MATERIAL -

DIMENSIONS:	TOLERANCES UNLESS OTHERWISE SPECIFIED:
mm	
0 PLC	± -
1 PLC	± -
2 PLC	± -
3 PLC	± -
4 PLC	± -
ANGLES	± -
FINISH	-

DWN	R.V.LOKVEN	19NOV86
CHK	J.GIBBELS	-
APVD	R.SMEETS	-
PRODUCT SPEC	-	-
APPLICATION SPEC	-	-
WEIGHT	-	-



96 POS FEMALE CONN. ASS'Y WITH ACTION-PIN. FOR 2,4-3,2mm P.C.BOARD THK'S

SIZE	CAGE CODE	DRAWING NO	RESTRICTED TO
A3	00779	C-215614	-

CUSTOMER DRAWING	SCALE NTS	SHEET 1 OF 2	REV N1
------------------	-----------	--------------	--------

