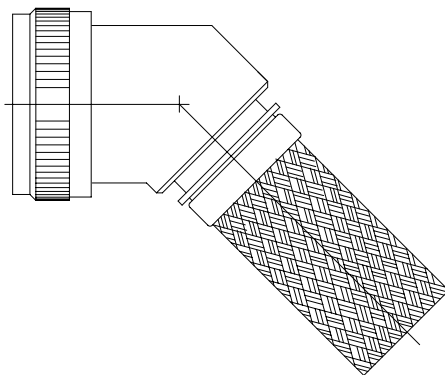


REVISIONS			
LTR	DESCRIPTION	DATE	APPROVED
K	REVISED PER ECN AD94021		



CODE 40 SHIELDED 45° ADAPTER

NOTES:

- THIS PRODUCT IS DESIGNED TO TERMINATE A HEAT SHRINKABLE LIPPED BOOT TO A CONNECTOR.
- FOR ADDITIONAL DIMENSIONS, ORDERING INFORMATION AND MODIFICATIONS, SEE CH00-0250-004.
- ADAPTER TO BE PERMANENTLY MARKED WITH CODE IDENT. NO. AND PART NO. (E.G.: 06090-208M812-19B08).
- FOR LARGER ENTRY SIZES, A 2 PIECE ADAPTER (TYPE II) IS SUPPLIED.
- BRAID TERMINATION RING MAY BE SUPPLIED AS TINEL-LOCK SHAPE MEMORY RING AT MANUFACTURER'S OPTION.
- ADAPTER MATES TO MIL-C-38999 SERIES III AND IV, CLASS C, F, K AND W, D38999/20, /24, /26, /40, /46, /47, CONNECTORS, AND WHEN SO MATED SHALL PROVIDE A WATER-TIGHT SEAL MEETING THE REQUIREMENTS OF MIL-C-85049 PAR. 3.5.7.

If this document is printed it becomes uncontrolled.  
Check for the latest revision.

SPECIFICATION CONTROL DRAWING

UNLESS OTHERWISE SPECIFIED  
DIMENSIONS ARE IN INCHES.  
METRIC DIMENSIONS ARE  
IN BRACKETS.

DECIMALS  
.XXX ± — [ mm]  
.XX ± — [ mm]  
.X ± — [ mm]

ANGLES  
.X ± —

DRAWN R. RAMIREZ	DATE 03-19-93
CHECKED	DATE
APPROVED W. C. GAY	DATE 04-28-93
APPROVED	DATE
CAD NAME \ACAD12\208M8XX	

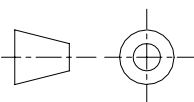


Tyco Electronics Corporation  
300 Constitution Drive  
Menlo Park, CA. 94025 U.S.A.

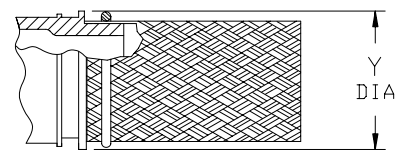
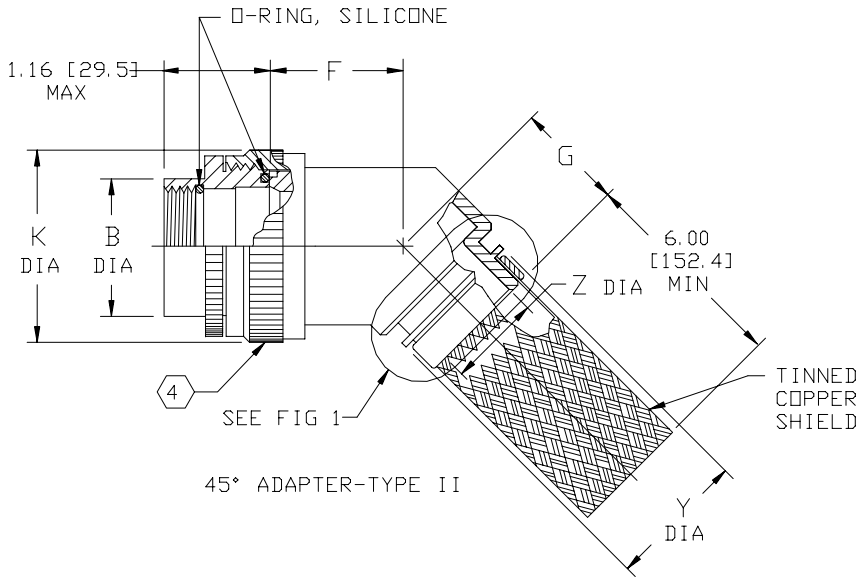
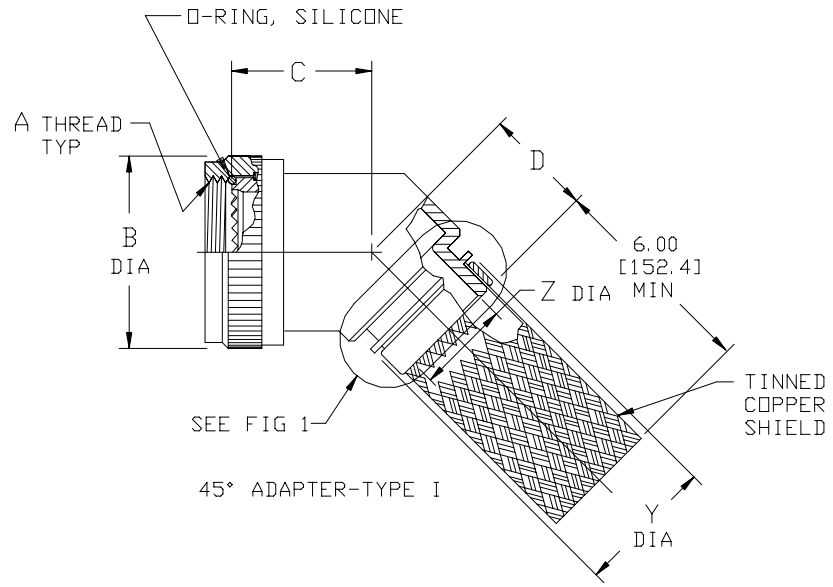
**Raychem**

TITLE  
ADAPTER, SHIELD, 45°  
CODE 40

THIRD ANGLE  
PROJECTION



SIZE A	CODE IDENT. NO. 06090	DWG. NO. 208M8XX	REV K
DO NOT SCALE THIS DWG			SHEET 1 OF 3



TINEL-LOCK TERMINATION

FIG 1 (5)

If this document is printed it becomes uncontrolled.  
Check for the latest revision.

SIZE	CODE IDENT. NO.	DWG. NO.	REV
A	06090	208M8XX	K
DO NOT SCALE THIS DWG		CAD NAME \ACAD12\208M8X-2	SHEET 2 OF 3

TABLE I



BASE PART NO.	SHELL SIZE 		MAX ENTRY SIZE TYPE I 	A METRIC THD CLASS 6H	B DIA MAX	C MAX	D MAX
	COML	MIL					
208M808	9	A	04	M12 X 1.0	.750 [19.1]	.82 [20.8]	.89 [22.6]
208M810	11	B	07	M15 X 1.0	.850 [21.6]	.84 [21.3]	.92 [23.4]
208M812	13	C	09	M18 X 1.0	1.000 [25.4]	.87 [22.1]	.95 [24.1]
208M814	15	D	10	M22 X 1.0	1.150 [29.2]	.89 [22.6]	.95 [24.1]
208M816	17	E	12	M25 X 1.0	1.250 [31.8]	.92 [23.4]	.98 [24.9]
208M818	19	F	14	M28 X 1.0	1.400 [35.6]	.95 [24.1]	1.01 [25.7]
208M820	21	G	16	M31 X 1.0	1.500 [38.1]	.97 [24.6]	1.04 [26.4]
208M822	23	H	18	M34 X 1.0	1.650 [41.9]	1.00 [25.4]	1.07 [27.2]
208M824	25	J	20	M37 X 1.0	1.750 [44.5]	1.02 [25.9]	1.07 [27.2]

TABLE II

ENTRY SIZE	K MAX	Z ±.020 [±0.51]	Y DIA MIN	F MAX	G MAX
03	NA	.187 [4.75]	.393 [9.98]	NA	NA
04	NA	.250 [6.35]	.456 [11.58]	NA	NA
05	.80 [20.3]	.312 [7.92]	.515 [13.08]	.77 [19.6]	.93 [23.6]
06	.80 [20.3]	.375 [9.53]	.581 [14.76]	.77 [19.6]	.93 [23.6]
07	.92 [23.4]	.438 [11.13]	.643 [16.33]	.80 [20.3]	.95 [24.1]
08	.92 [23.4]	.500 [12.70]	.705 [17.91]	.80 [20.3]	.95 [24.1]
09	1.18 [30.0]	.562 [14.27]	.705 [17.91]	.84 [21.3]	1.00 [25.4]
10	1.18 [30.0]	.625 [15.88]	.831 [21.11]	.84 [21.3]	1.00 [25.4]
11	1.18 [30.0]	.688 [17.48]	.893 [22.68]	.86 [21.8]	1.01 [25.7]
12	1.35 [34.3]	.750 [19.05]	.953 [24.21]	.86 [21.8]	1.01 [25.7]
13	1.41 [35.8]	.812 [20.62]	.953 [24.21]	.88 [22.4]	1.04 [26.4]
14	1.41 [35.8]	.875 [22.23]	1.081 [27.46]	.88 [22.4]	1.04 [26.4]
15	1.60 [40.6]	.938 [23.83]	1.143 [29.03]	.91 [23.1]	1.06 [26.9]
16	1.60 [40.6]	1.000 [25.40]	1.205 [30.61]	.91 [23.1]	1.06 [26.9]
18	1.66 [42.2]	1.125 [28.58]	1.381 [35.08]	.93 [24.9]	1.09 [27.7]
20	2.04 [51.8]	1.250 [31.75]	1.506 [38.25]	.93 [24.9]	1.15 [29.2]
22	2.23 [56.6]	1.375 [34.93]	1.631 [41.43]	1.03 [26.2]	1.38 [35.1]
24	2.23 [56.6]	1.500 [38.10]	1.756 [44.60]	1.08 [27.4]	1.44 [36.6]
28	2.48 [63.0]	1.750 [44.45]	2.004 [50.90]	1.18 [30.0]	1.56 [39.6]

If this document is printed it becomes uncontrolled.  
Check for the latest revision.

SIZE A	CODE IDENT. NO. 06090	DWG. NO. 208M8XX	REV K
DO NOT SCALE THIS DWG		CAD NAME \ACAD12\208M8X-3	SHEET 3 OF 3