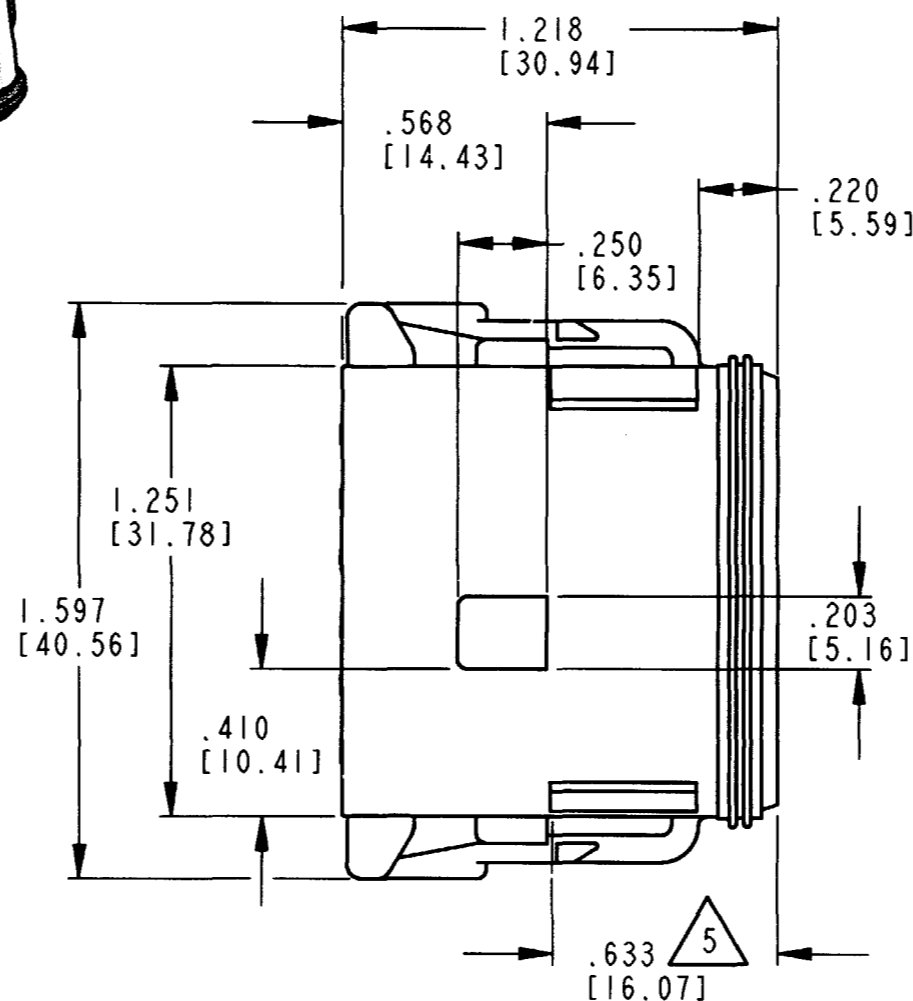
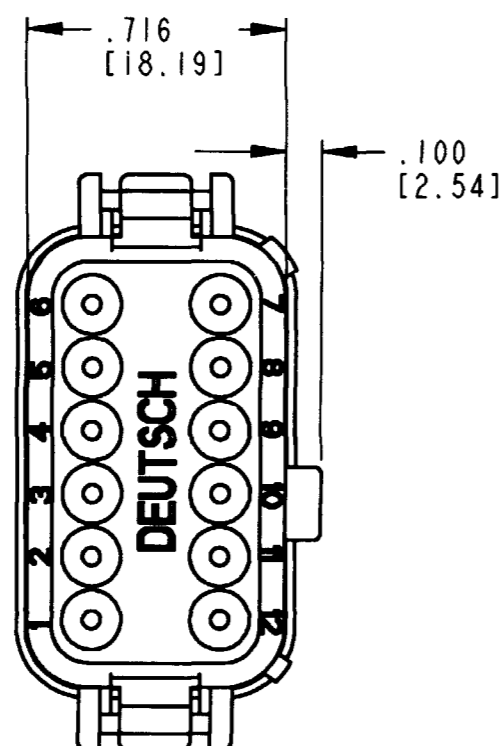
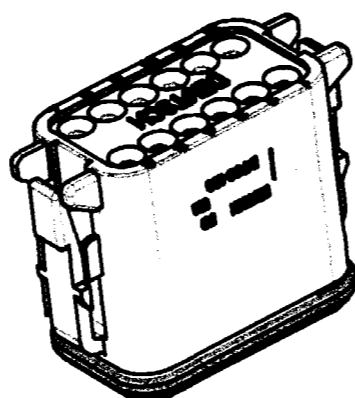


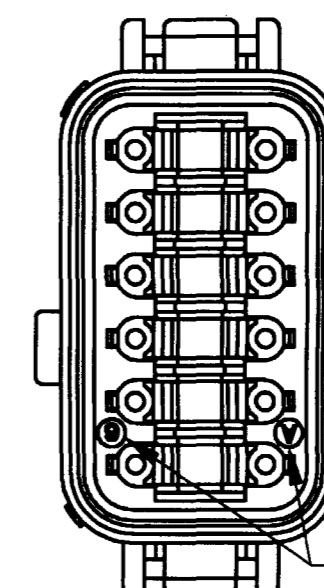
3-DIMENSIONAL VIEW



REVISIONS

SYM	DESCRIPTION	DATE	APPROVED
NC	NEW RELEASE PER. E.O. P15131	9-23-96	RDR
A	REVISED PER E.O. P16629	4-18-00	RDR

CONTACT SIZE	MIN. INSUL O.D.	MAX. INSUL O.D.	WIRE RANGE [mm ²]
16	.088 [2.23]	.145 [3.68]	14-20 AWG [2.0-0.5]



5. PLUG INSERTS INTO RECEPTACLE WITHIN THIS DISTANCE.

4. THIS PLUG MATES WITH DT04-12PA-**** RECEPTACLE (**** = ALL MODIFICATIONS). CONSULT FACTORY FOR MODIFICATIONS.
3. FOR CONTACTS AND WIRE PERFORMANCE AND APPLICATION CHARACTERISTICS SEE ENVELOPE DRAWING 0425-015-0000 AND 0425-017-0000.
2. DIMENSIONS ARE ±.025[0.63] UNLESS OTHERWISE SPECIFIED.
1. DIMENSIONS ARE IN INCHES [MILLIMETERS].

NOTES:

-DATE CODE-
MONTH IS REPRESENTED BY SEQUENTIAL ALPHA CHARACTERS.
EX: A=JANUARY
YEAR IS REPRESENTED BY LAST DIGIT. EX: 0=2000.

SIGNATURE & DATE	
DR	S. THEIS NOV-25-96
CHK	<i>S. Theis</i> 4-18-00
PE	<i>D. Jones</i> 4-17-00
APPD	<i>R. Reed</i> 4-18-00
SCALE	NONE WT

12 WAY PLUG
-B016 MOD.
KEY ARR. -A-
COLOR: GRAY
DT SERIES
ENVELOPE

CP	MATL. CODE
	The Deutsch Company DEUTSCH I. P. D. 3850 INDUSTRIAL AVE. HEMET, CALIF. 92545
B	DT06-12SA-B016
DWG SIZE	CODE 11139 SHEET OF