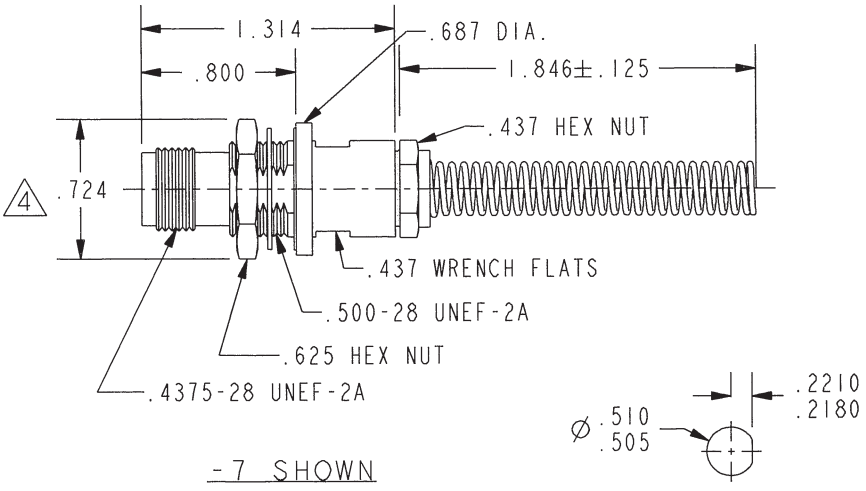
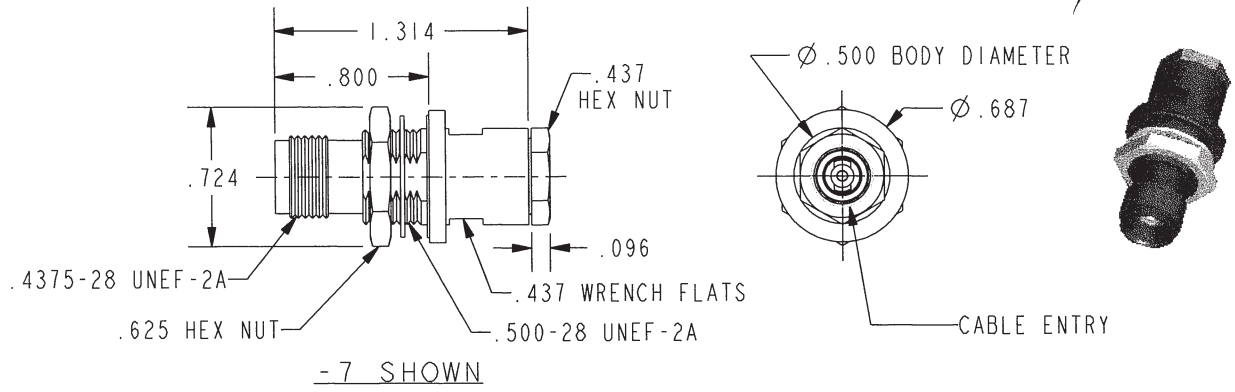


| DASH NO | CABLES ACCOMODATED                       | ASSEMBLE PER |
|---------|--|--------------|
| -7      | TRC-50-2/TRC-75-2                        | TAI-189      |
| -9      | TWC-78-2/TWC-124-2                       | TAI-102      |
| -23     | 250-3884, MICRODOT                       | TAI-189      |
| -24     | 202-3934, MICRODOT                       | TAI-102      |
| -24A    | 9530A5117, RAYCHEM                       | TAI-189      |
| -25     | T-43M, GENERAL                           | TAI-102      |
| -25A    | 5021H5331, RAYCHEM                       | TAI-189      |
| -26     | 7028A5518, RAYCHEM                       |              |
| -27     | 202-3927, MICRODOT                       |              |
| -29     | TWC-78-1/TWC-124-1A                      | TAI-102      |
| -30     | 761A, W.E.CO./8441, BELDEN               |              |
| -32     | TRC-50-1                                 |              |
| -33     | TRC-75-1                                 |              |
| -42     | 21-204, ESSEX<br>4463, CONSOLIDATED      | TAI-189      |
| -43     | 250-4044/250-4045<br>293-3930, MICRODOT  |              |
| -45     | M27500-22TE2T14<br>1100-66F, STANDARD    |              |
| -47     | MI7/176-00002                            | TAI-102      |
| -49     | TWAC-78-1F2                              |              |
| -55     | 89272, BELDEN                            |              |
| -56     | GC875GCI, GRUMMAN                        | TAI-189      |
| -57     | GC875GBI, GRUMMAN                        |              |
| -58     | GC875TM24H, GRUMMAN                      | TAI-102      |
| -59     | GC875LNI, GRUMMAN                        |              |
| -60     | MI7/177, THERMATICS<br>380-10045, BOEING | TAI-189      |
| -64     | 7528A5314, RAYCHEM                       |              |

DATA CONTAINED IN THIS DOCUMENT IS PROPRIETARY TO TROMPETER ELECTRONICS INC. AND SHALL NOT BE DISCLOSED, COPIED OR USED FOR PROCUREMENT OR MANUFACTURE WITHOUT EXPRESS WRITTEN PERMISSION.

**REVISIONS**

| REV | DESCRIPTIONS           | DATE    | APPROVED |
|-----|------------------------|---------|----------|
| P   | REVISED PER ECO #16485 | 11/8/07 | ajac     |



| CABLE ENTRY |      |             |      |
|-------------|------|-------------|------|
| DASH NUMBER | DIA. | DASH NUMBER | DIA. |
| -7          | .274 | -33         | .217 |
| -9          | .285 | -42         | .300 |
| -23         | .183 | -43         | .200 |
| -24         | .191 | -45         | .183 |
| -24A        | .200 | -47         | .164 |
| -25         | .285 | -49         | .132 |
| -25A        | .285 | -55         | .25  |
| -26         | .183 | -56         | .191 |
| -27         | .145 | -57         | .191 |
| -29         | .191 | -58         | .196 |
| -30         | .235 | -59         | .196 |
| -32         | .191 | -60         | .217 |

RECOMMENDED  
PANEL CUTOUT  
SCALE 0.5/1

TABLE 1

| MILITARY PART NUMBER (PIN) | MILITARY CABLE PART NUMBER | TROMPETER P/N (REF. ONLY) |
|----------------------------|----------------------------|---------------------------|
| M49142/09-0001             | MI7/134-00001              | M3-0074-7                 |
| M49142/09-0002             | MI7/134-00002              | M3-0074-7                 |
| M49142/09-0006             | MI7/176-00002              | M3-0074-47                |
| M49142/09-0009             | MI7/177-00001              | M3-0074-60                |

6. EXAMPLE OF COMPLETE MODEL NUMBER  
BJ379 - 7  
BASIC MODEL NUMBER DASH NUMBER

- 5 WHEN CONNECTOR IS SUPPLIED TO MILITARY PART NUMBER (SEE TABLE 1)
- A) ALL PARTS NORMALLY PLATED TFS-1A OR TFS-1U (NICKEL) ARE TO BE PLATED TFS-1M (SILVER)
  - B) MARK PART WITH MILITARY PIN (SEE TABLE 1) AND "14949"
  - C) QUALITY CONFORMANCE INSPECTION SHALL BE PER MIL-C-49142 SECTION 4.5

4 IF BEND RELIEF SPRING REQUIRED ADD SUFFIX "BR" TO MODEL NUMBER

- 3. CONCENTRIC TWINAX/TRIAX TRT BULKHEAD MOUNT CABLE RECEPTACLE
- 2. MAX PANEL THICKNESS .160
- 1. FINISH: TFS-1A (NICKEL) 5

**RED INDICATES ORIGINAL**

NOTES: UNLESS OTHERWISE SPECIFIED.

|  |          |  |        |   |           |             |       |
|--|----------|--|--------|---|-----------|-------------|-------|
| INTERPRET DRAWING PER MIL-STD-100. DIMENSIONS ARE IN INCHES AND INCLUDE FINISH THICKNESS UNLESS OTHERWISE SPECIFIED. |          | TOL: UNLESS SPECIFIED.<br>.XX ± .02<br>.XXX ± .010<br>ANGLE ± 1° |        | <p>a cinch connectivity solutions brand</p> |           |             |       |
| DRN<br>MWJ   | 10-23-07 | MATERIAL:  | TITLE: |   |           |             |       |
| CHK<br><i>Am</i>   | 11/7/07  | FINISH:  |        | BJ379/BJ379BR                               |           |             |       |
| QUALITY  |          |  |        |   |           |             |       |
| MANUF  |          |  |        | SIZE  | CAGE CODE | DRAWING NO. | REV.  |
| APPROVED<br><i>Am</i>  | 11/7/07  |  |        | A   | 14949     | 3-0074      | P     |
| PROVE FILE NO.<br>3-0074   |          | DO NOT SCALE DWG   | SCALE  | 1/1   | DATE      | 9-11-81     | SHEET |
|  |          |  |        |   |           |             | IC    |